

Revisions

216646

B

LAL	Rev	Description	Chk	Date	Approved
	A	ENGINEERING RELEASE		8/26/77	RF
X	B	REVISED SHEET 6 & 7, ADDED MARK AND PIN 62 CALLOUT. ADDED I.C. LOCATIONS TO ASSEMBLY DRAWING, SHEET 3.		10/3/77	RF

**ENGINEERING
RELEASE**

Dist Code ALT

These drawings and specifications and the data contained therein, are the exclusive property of Xerox Corporation and/or Rank Xerox, Ltd. issued in strict confidence and shall not, without the prior written permission of Xerox Corporation or Rank Xerox, Ltd. be reproduced, copied or used for any purpose whatsoever except the manufacture of articles for Xerox Corporation or Rank Xerox.

Notes Unless Specified

- Tolerances
 .xx \pm .03 Angular
 .xxx \pm .010 \pm 1/2°
- Break All Sharp Edges
 .010 Approx
- Mach. Surfaces
- All Dim. in Inches

Drawn R. FREEMAN
8-26-77

Check

Appr. *R. Freeman* 11/3/77

Material

Xerox Corporation
El Segundo, California

XEROX

ALTO II
ASSEMBLY, PRINTED WIRING-
MEMORY EXTENSION AND TERMINATOR
MODULE

Model No. First Use	ALTO II	Finish	Code Ident 18338	Size A	Dwg. No. 216646	Change Letter B
Next Assy. First Use			Scale	Do Not Scale Drawing	Sheet 1 Of 7	

NOTES: UNLESS OTHERWISE SPECIFIED

1. ASSEMBLE PER ALTO II MODULE ASSEMBLY SPEC., DWG. NO. 216207
2. THE FOLLOWING MODIFICATIONS MUST BE MADE TO "A" REVISION ARTWORK MODULES.
 - a) CUT ETCH BETWEEN A2-10 AND A2-11 (ETCH SIDE)
 - b) CUT ETCH BETWEEN A2-10 AND B2-6 (ETCH SIDE)
 - c) CUT ETCH BETWEEN A2-10 AND R3 (COMPONENT SIDE)
 - d) ADD WIRE FROM A2-8 TO PIN 62 (ETCH SIDE)
 - e) ADD WIRE FROM A2-12 TO A3-10 (ETCH SIDE)
 - f) ADD WIRE FROM A2-11 TO B2-6 (ETCH SIDE)
 - g) ADD WIRE FROM A2-11 TO END OF R3 NEAR A2-11 (ETCH SIDE)

These drawings and specifications, and the data contained therein, are the exclusive property of Xerox Corporation and or Rank Xerox, Ltd. issued in strict confidence and shall not, without the prior written permission of Xerox Corporation Rank Xerox, Ltd., be reproduced, copied or used for any purpose whatsoever, except the manufacture of articles for Xerox Corporation or Rank Xerox, Ltd.

Title
ALTO II
ASSEMBLY, PRINTED WIRING -
MEMORY EXTENSION AND TERMINATOR
MODULE

Xerox Corporation
El Segundo, California

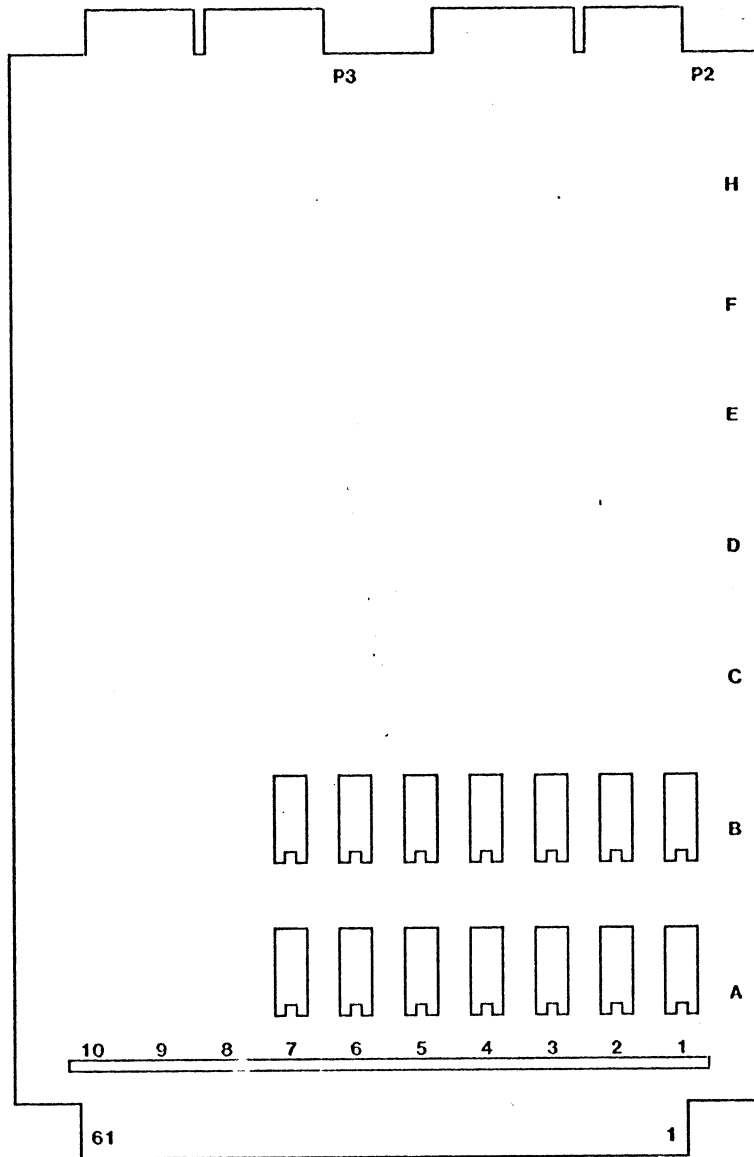
XEROX

216646

B

Sheet

2 Of 7



These drawings and specifications, and the data contained therein, are the exclusive property of Xerox Corporation and or Rank Xerox, Ltd. issued in strict confidence and shall not, without the prior written permission of Xerox Corporation Rank Xerox, Ltd., be reproduced, copied or used for any purpose whatsoever, except the manufacture of articles for Xerox Corporation or Rank Xerox, Ltd.

Title
ALTO II
 ASSEMBLY, PRINTED WIRING -
 MEMORY EXTENSION AND TERMINATOR
 MODULE

Xerox Corporation
 El Segundo, California

XEROX

216646

B

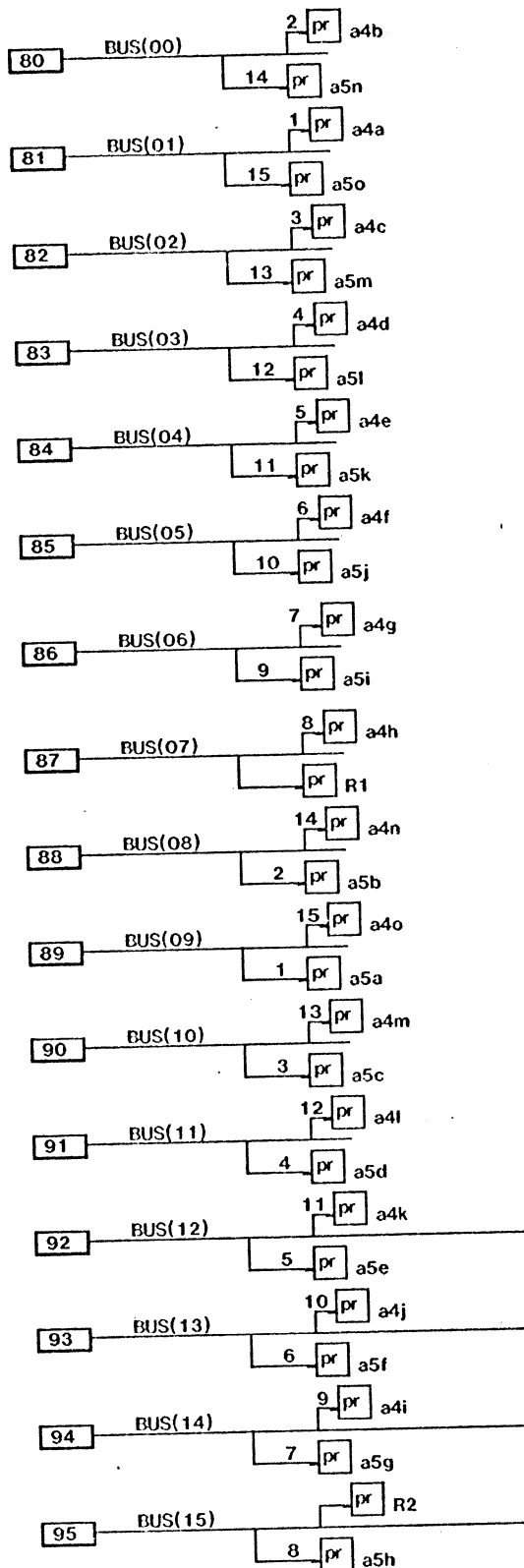
Sheet

3 Of 7

MATERIAL LIST

Rev.	Drawing Title	These drawings and specifications, and the data contained therein, are the exclusive property of Xerox Corporation and or Rank Xerox, Ltd. issued in strict confidence and shall not, without the prior written permission of Xerox Corporation Rank Xerox, Ltd., be reproduced, copied or used for any purpose whatsoever, except the manufacture of articles for Xerox Corporation or Rank Xerox, Ltd.		
B	ALTO II	Model No.	Date	Sheet
Dwg.	ASSEMBLY, PRINTED WIRING -	ALTO II	8-26-77	4 Of 7
2	MEMORY EXTENSION AND TERMINATOR			
1	MODULE			
6				
6				
4				
6				
ML				
Item No.	Drawing Title	Drawing No.	No. Req.	Remarks
1	BOARD, P.W. -MEMORY EXTENSION AND TERMINATOR	216648	1	
2				
3	RESISTOR, NETWORK, DIP 270		1	A4 (A-B #316-A-271)
4	RESISTOR, NETWORK, DIP 560		1	A5 (A-B #316-A-561)
5	RESISTOR, FILM, 560 OHM, +5% -5%, 1/4 W	116447-561	1	R1
6	RESISTOR, FILM, 270 OHM, +5% -5%, 1/4 W	116447-271	1	R2
7	RESISTOR, FILM, 1 K OHM, +5% -5%, 1/4 W	116447-102	1	R3
8				
9	CAPACITOR, .01uF, 50V CERAMIC	188483-001	12	C2-C13
10	CAPACITOR, 22uF, 15V TANTALUM	187720-005	1	C1
11				
12	MICROCIRCUIT, 74S02 T.I.		1	A1
13	MICROCIRCUIT, 74S04 T.I.		2	A3, A7
14	MICROCIRCUIT, 74LS08 T.I.		1	B5
15	MICROCIRCUIT, 74S30 T.I.		1	A2
16	MICROCIRCUIT, 74S32 T.I.		1	B1
17	MICROCIRCUIT, 7438 T.I.		1	A6
18	MICROCIRCUIT, 74LS158 T.I.		2	B4, B7
19	MICROCIRCUIT, 74S189 T.I.		1	B6
20	MICROCIRCUIT, I3205 INTEL		2	B2, B3
21				
22				
23	STIFFENER	216242	1	
24	EXTRACTOR, MODULE	216250	2	
25	RIVET, BLIND PULL THRU	156111-005	2	
26				
27	SOCKET, MICROCIRCUIT 16 PIN	516-AG11D	7	AUGAT
28	SOCKET, MICROCIRCUIT 14 PIN	514-AG11D	7	AUGAT
29				
30	ALTO II MODULE ASSY SPECIFICATION	216207	REF	

NOTE: R2 IS 270 OHMS TO +5V; R1 IS 560 OHMS TO GROUND
 TYPICAL OF ALL BUS(00) - BUS(15) LINES



These drawings and specifications, and the data contained therein, are the exclusive property of Xerox Corporation and or Rank Xerox, Ltd. issued in strict confidence and shall not, without the prior written permission of Xerox Corporation Rank Xerox, Ltd., be reproduced, copied or used for any purpose whatsoever, except the manufacture of articles for Xerox Corporation or Rank Xerox, Ltd.

Title
 ALTO II
 ASSEMBLY, PRINTED WIRING -
 MEMORY EXTENSION AND TERMINATOR
 MODULE

Xerox Corporation
 El Segundo, California

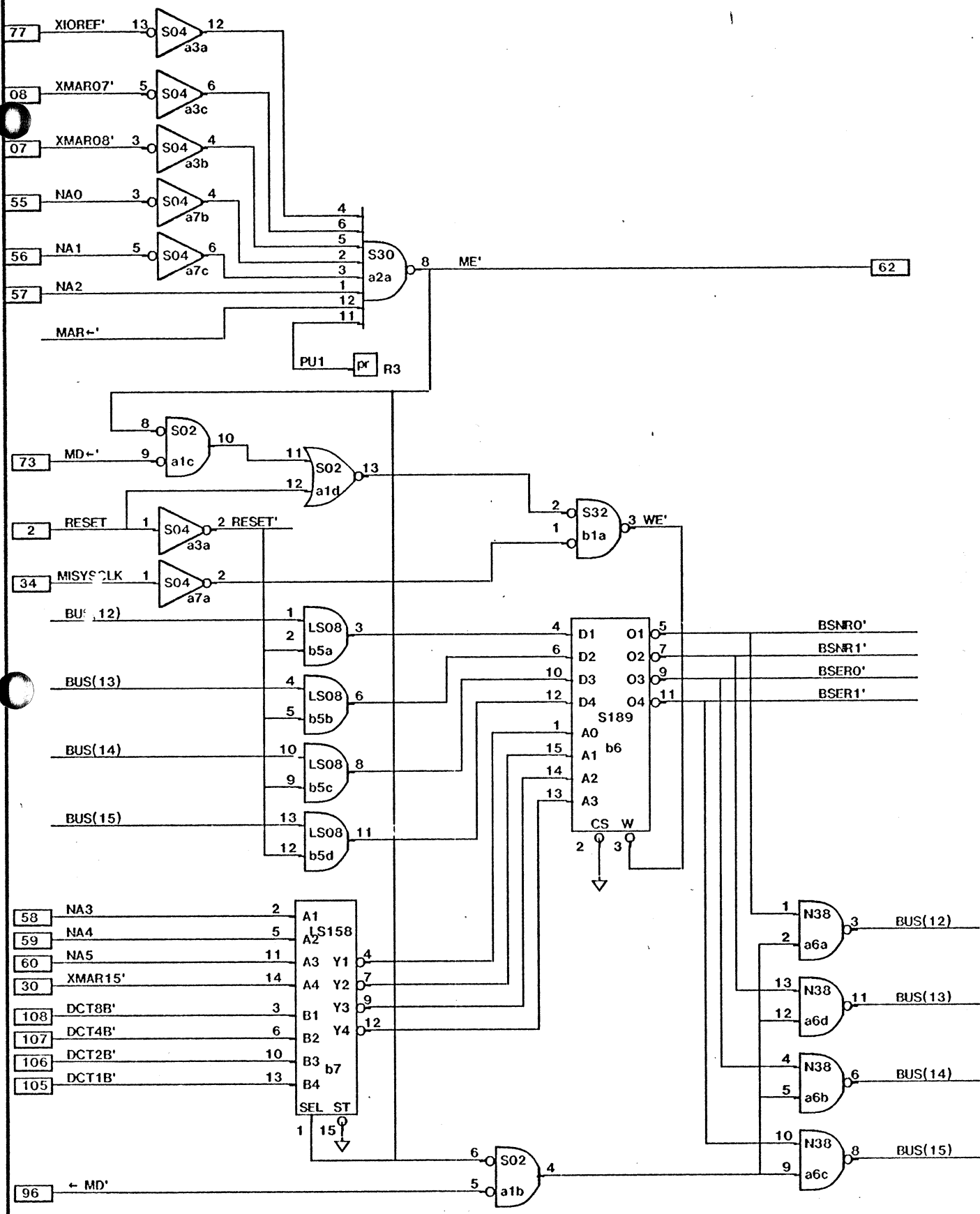
XEROX

216646

B

Sheet

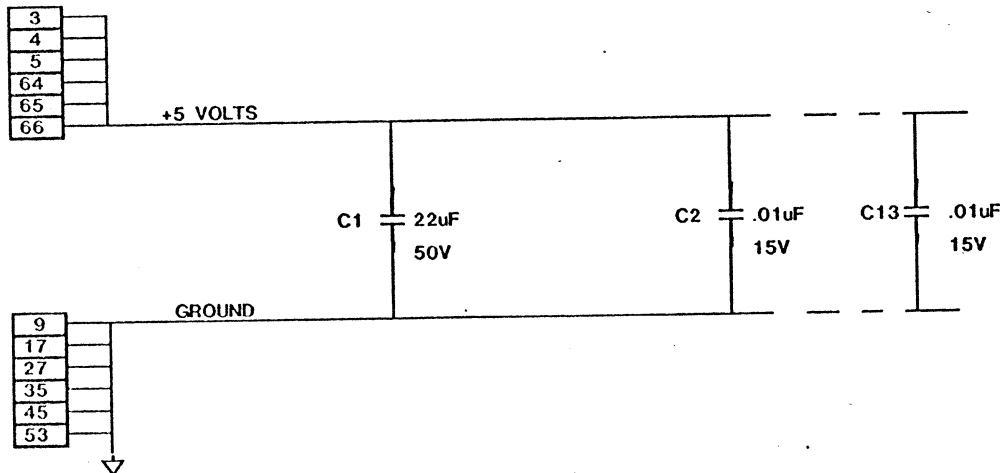
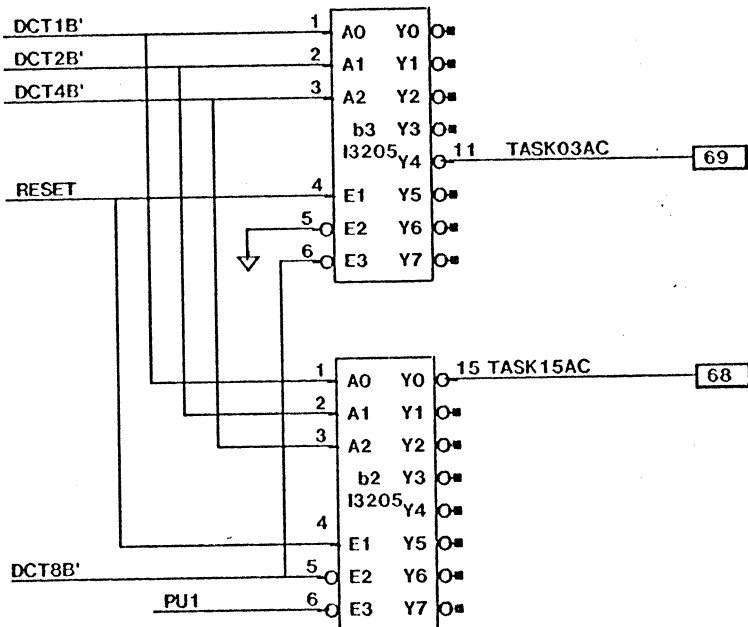
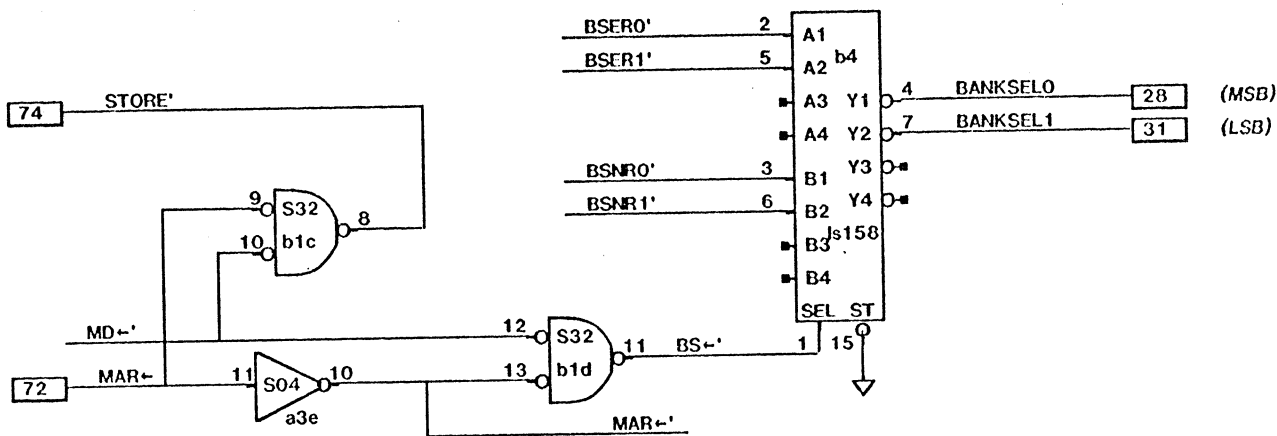
5 Of 7



These drawings and specifications, and the data contained therein, are the exclusive property of Xerox Corporation and or Rank Xerox, Ltd. issued in strict confidence and shall not, without the prior written permission of Xerox Corporation Rank Xerox, Ltd., be reproduced, copied or used for any purpose whatsoever, except the manufacture of articles for Xerox Corporation or Rank Xerox, Ltd.

Title
 ALTO II
 ASSEMBLY, PRINTED WIRING -
 MEMORY EXTENSION AND TERMINATOR
 MODULE

Xerox Corporation
 El Segundo, California
XEROX
 216646
 Sheet 6 OF 7
 B



These drawings and specifications, and the data contained therein, are the exclusive property of Xerox Corporation and or Rank Xerox, Ltd. issued in strict confidence and shall not, without the prior written permission of Xerox Corporation or Rank Xerox, Ltd., be reproduced, copied or used for any purpose whatsoever, except the manufacture of articles for Xerox Corporation or Rank Xerox, Ltd.

Title
ALTO II
ASSEMBLY, PRINTED WIRING -
MEMORY EXTENSION AND TERMINATOR
MODULE

Xerox Corporation
El Segundo, California
216646
Sheet 7 OF 7
XEROX
B