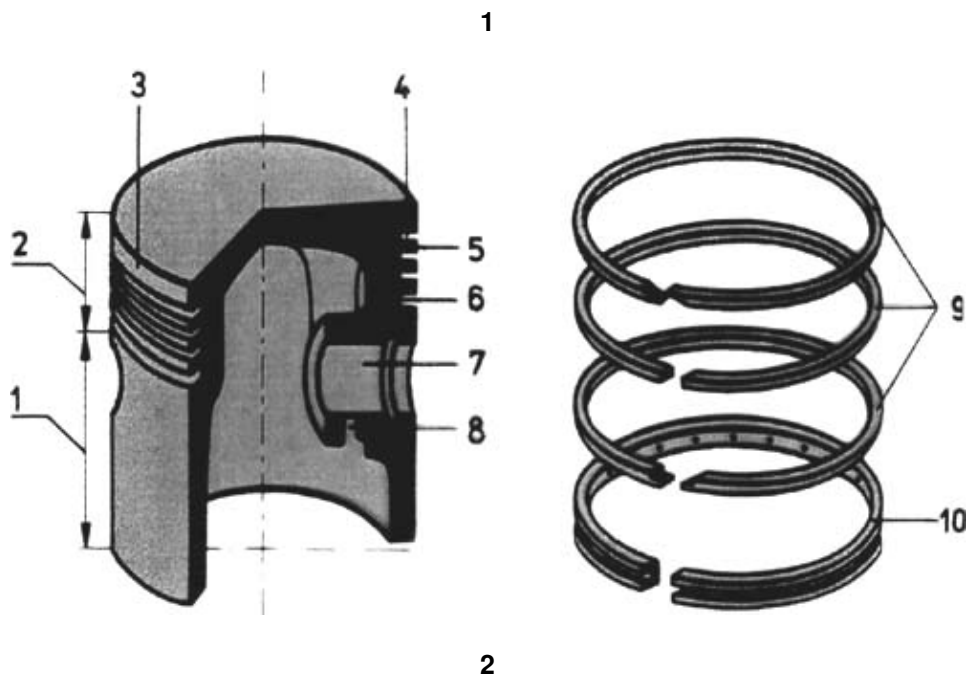
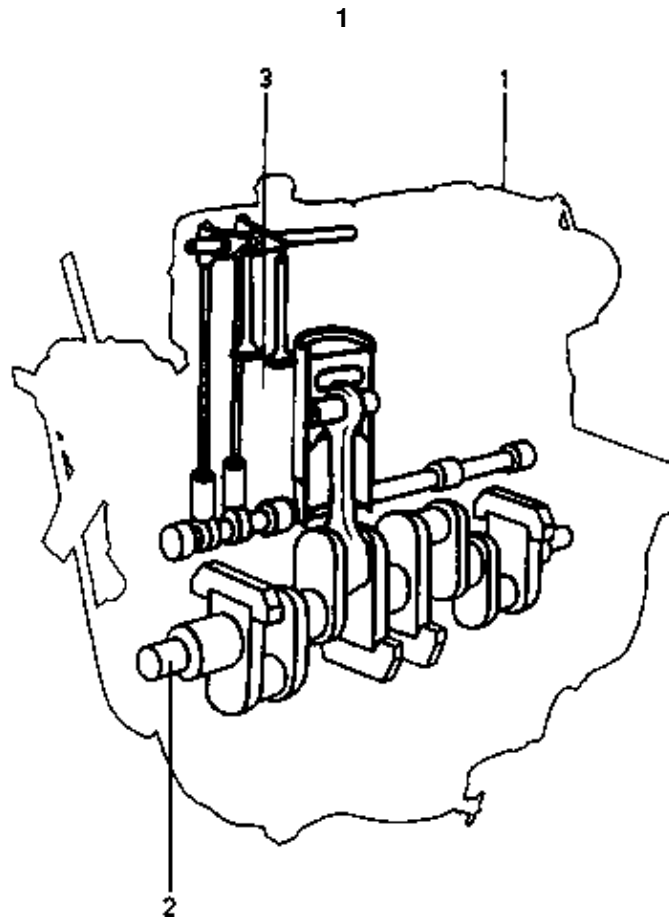


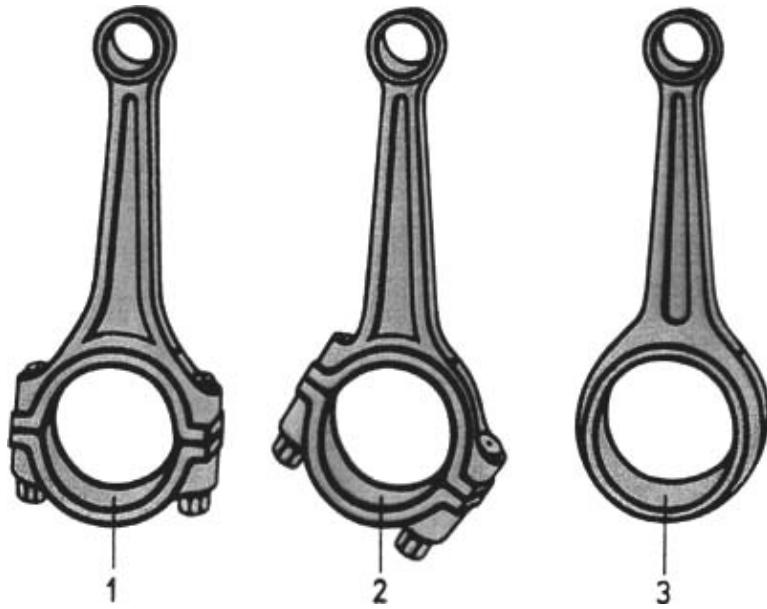
Motor/Engine – Automotive Transparencies

Table of Contents

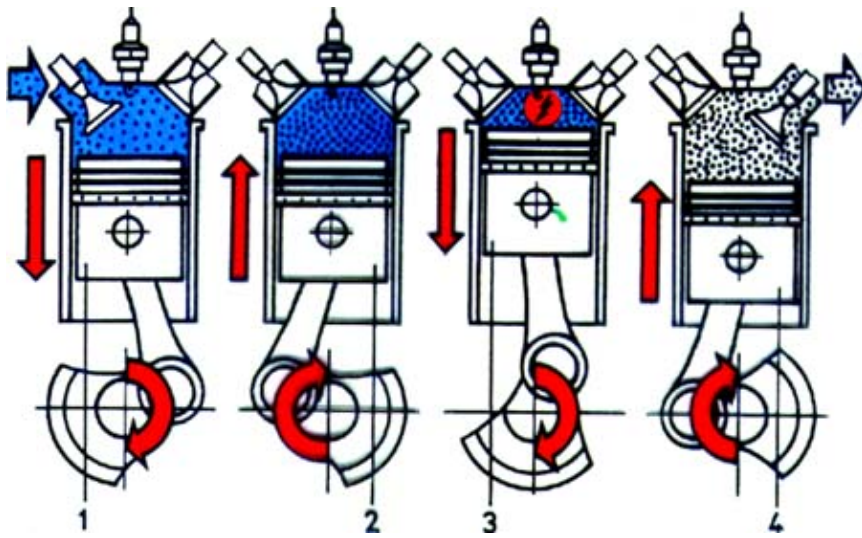
<u>Motor/Engine – Automotive Transparencies</u>	1
-------------------------------------------------------	---

Motor/Engine – Automotive Transparencies

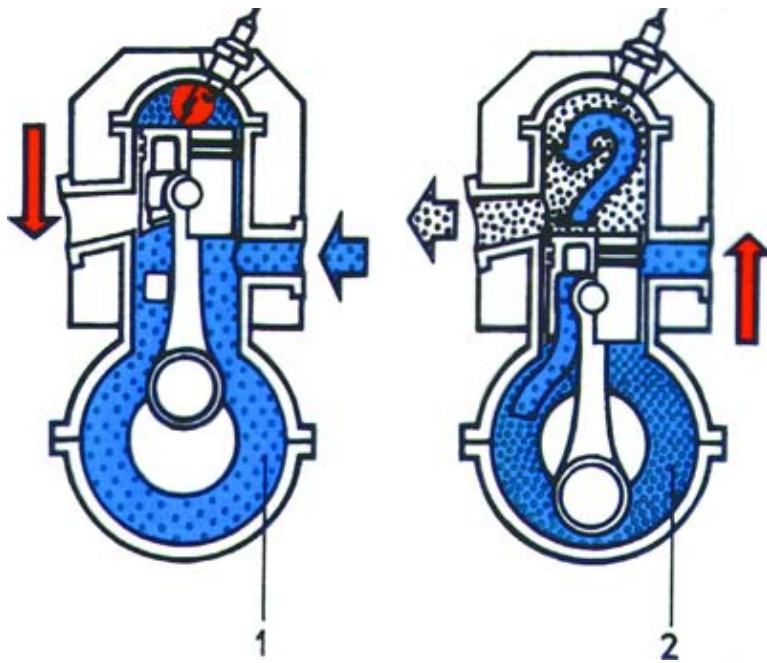


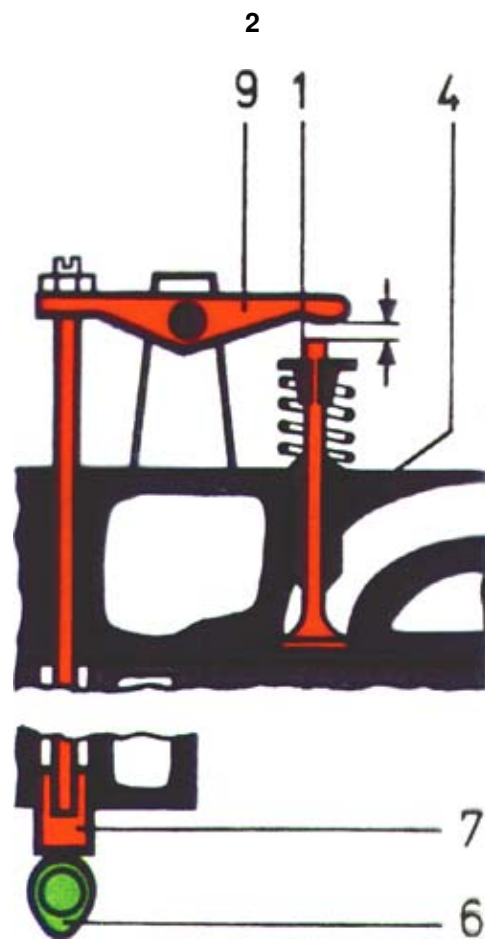
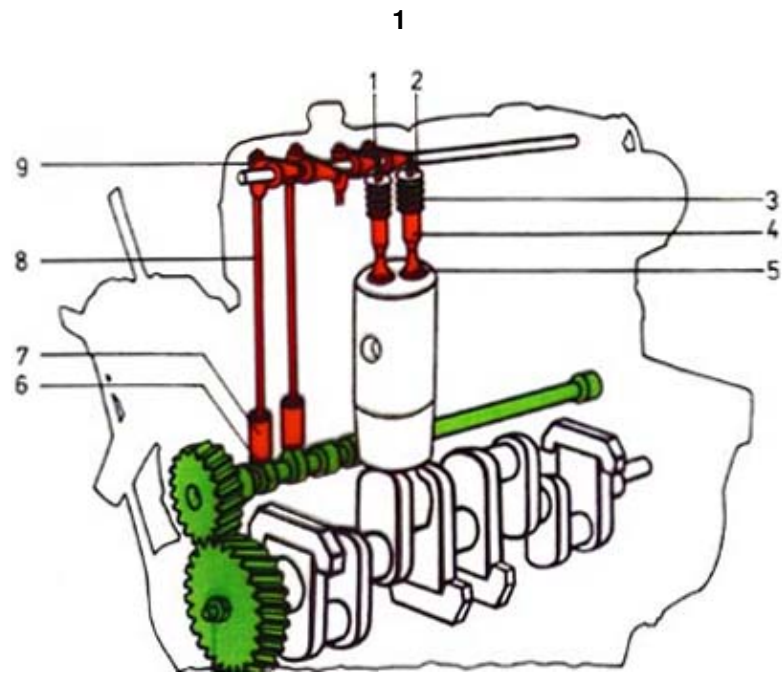


1

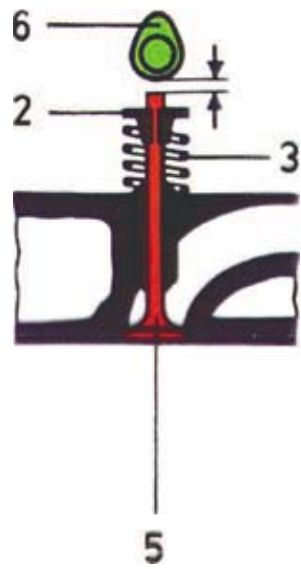


2

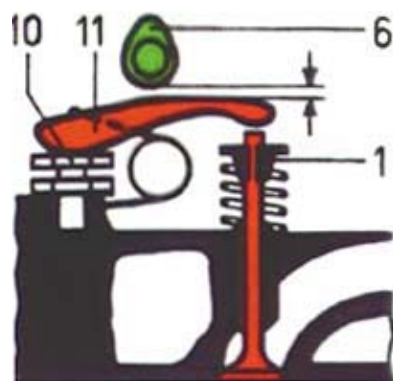




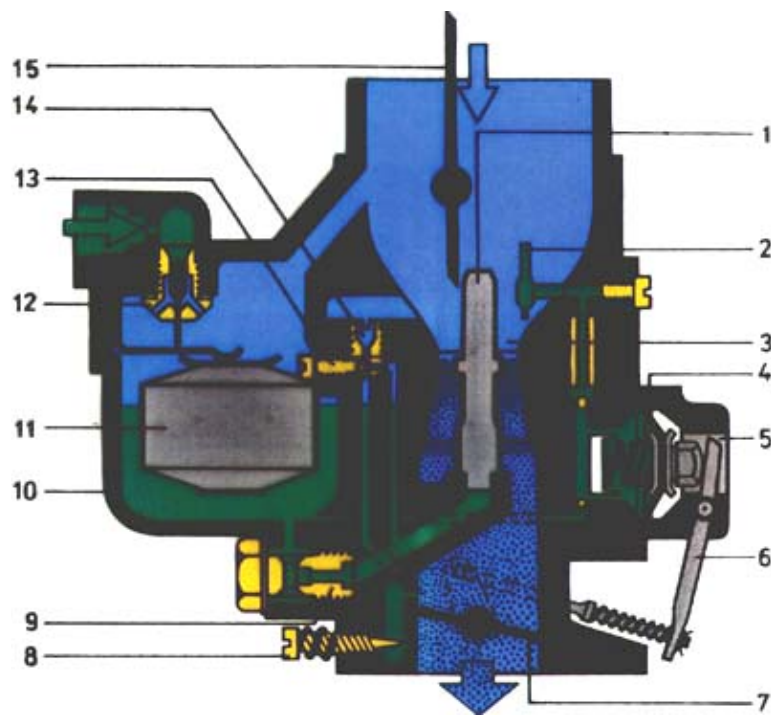
3



4



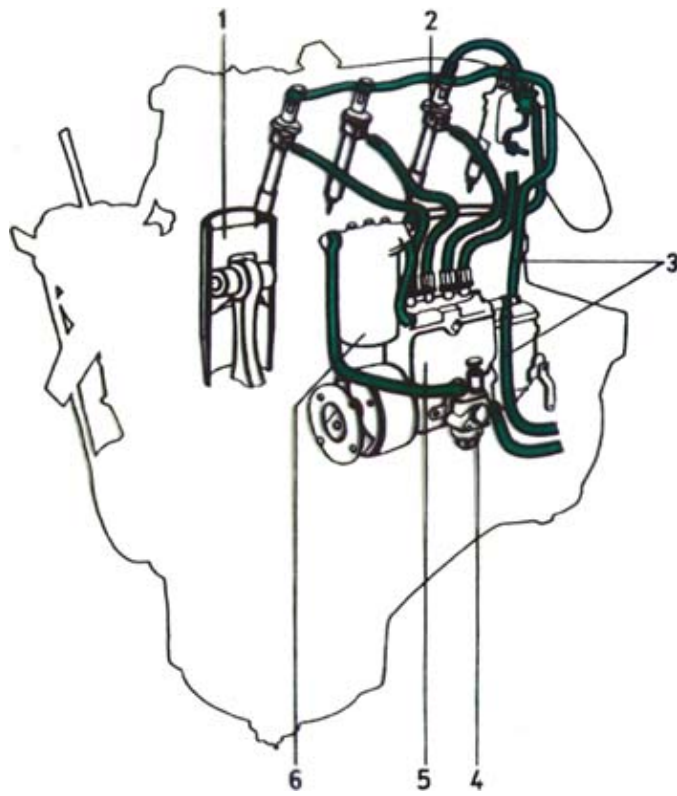
1



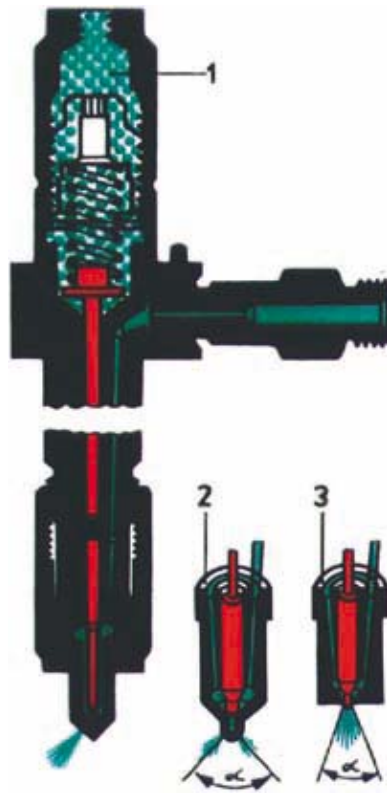
2



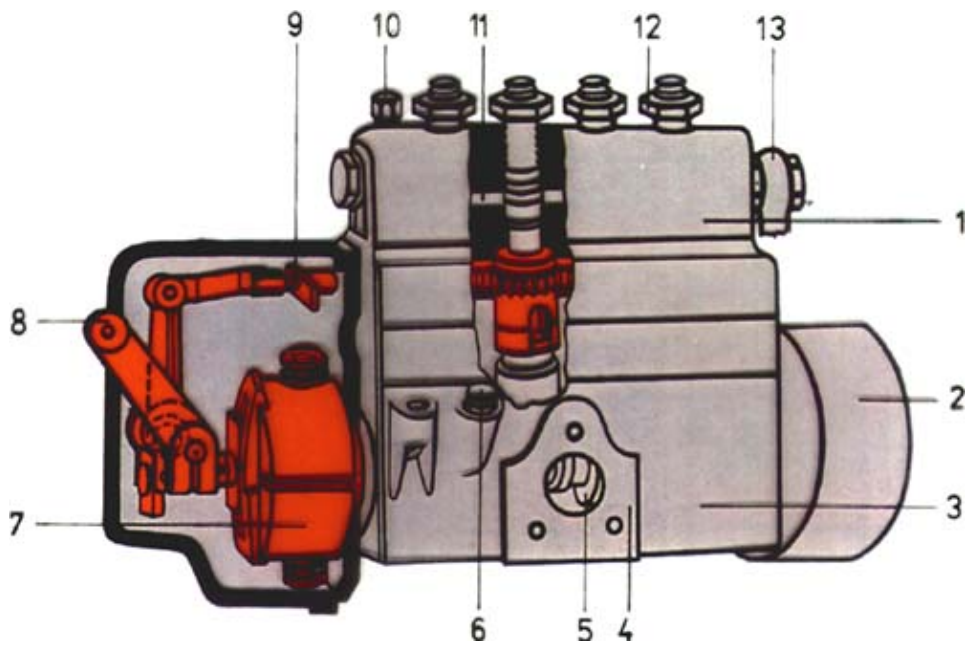
1



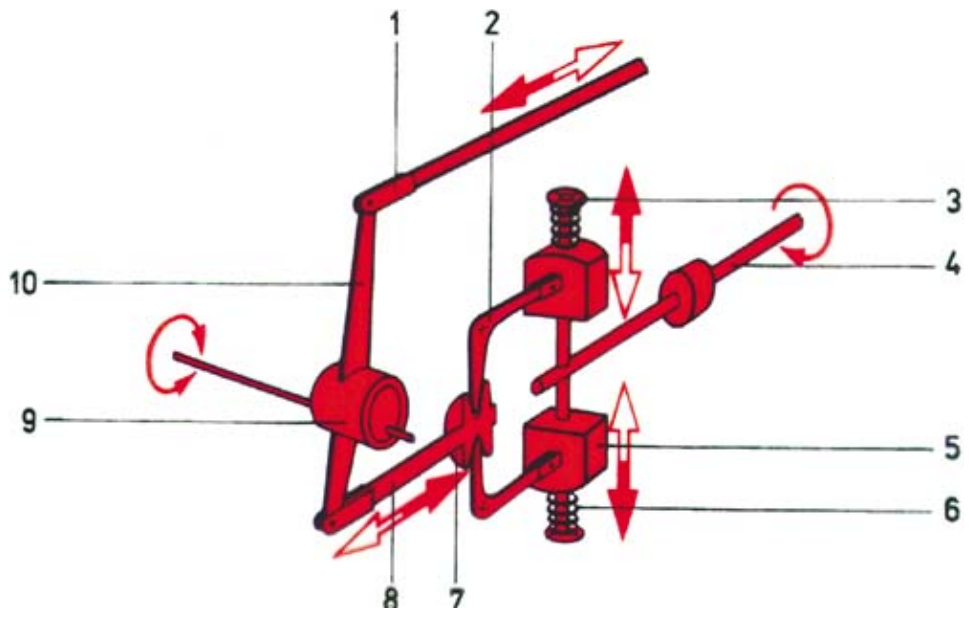
2



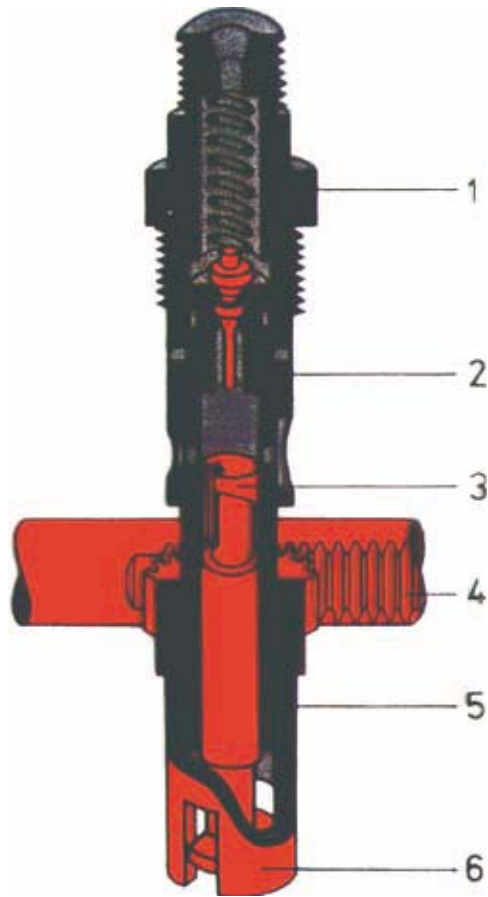
1



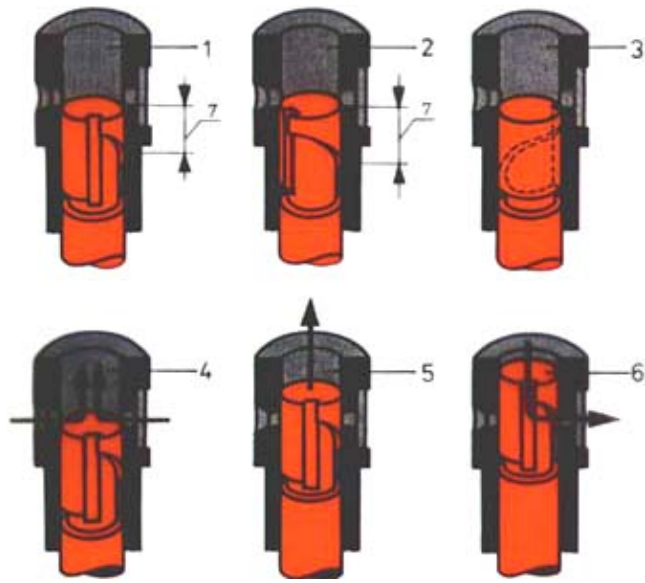
2



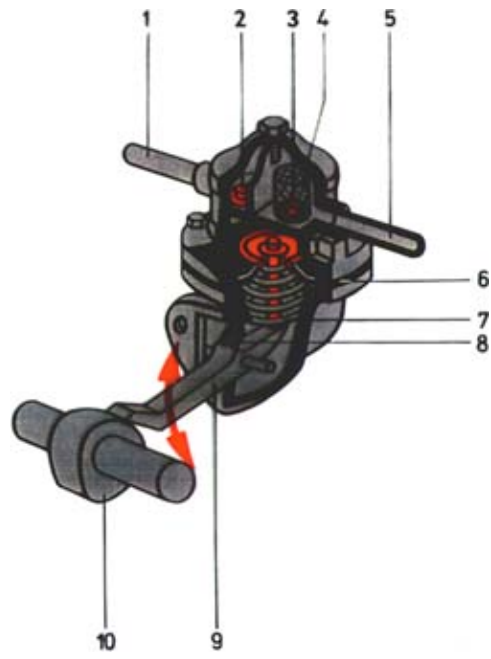
1



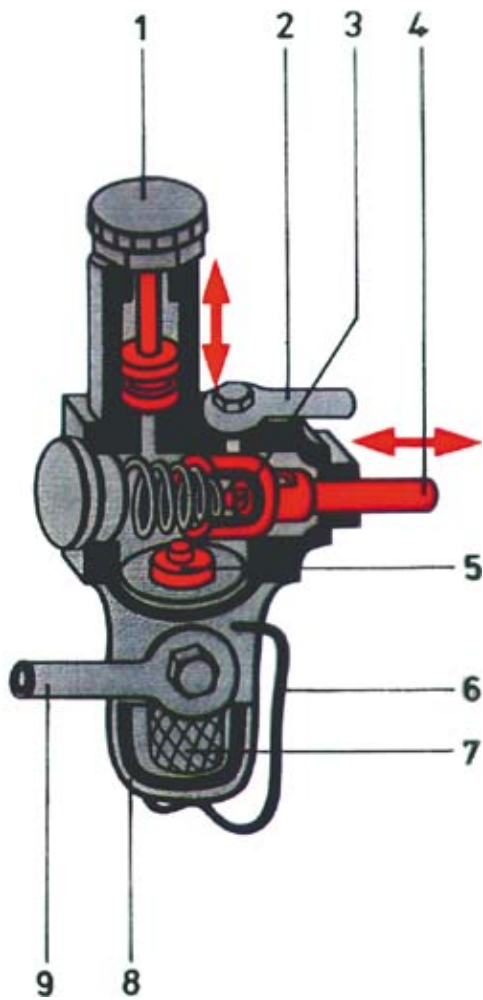
2



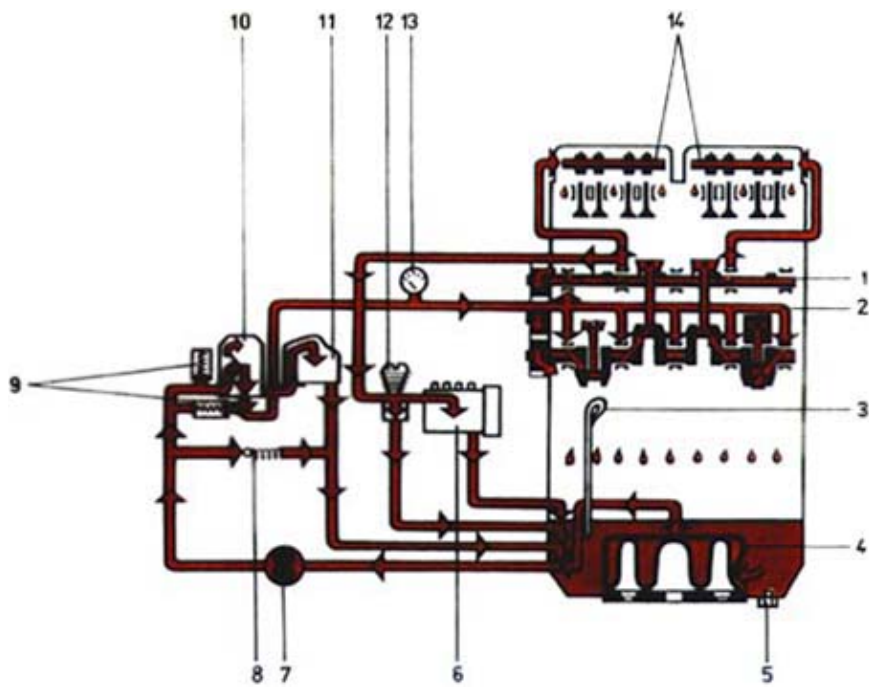
1



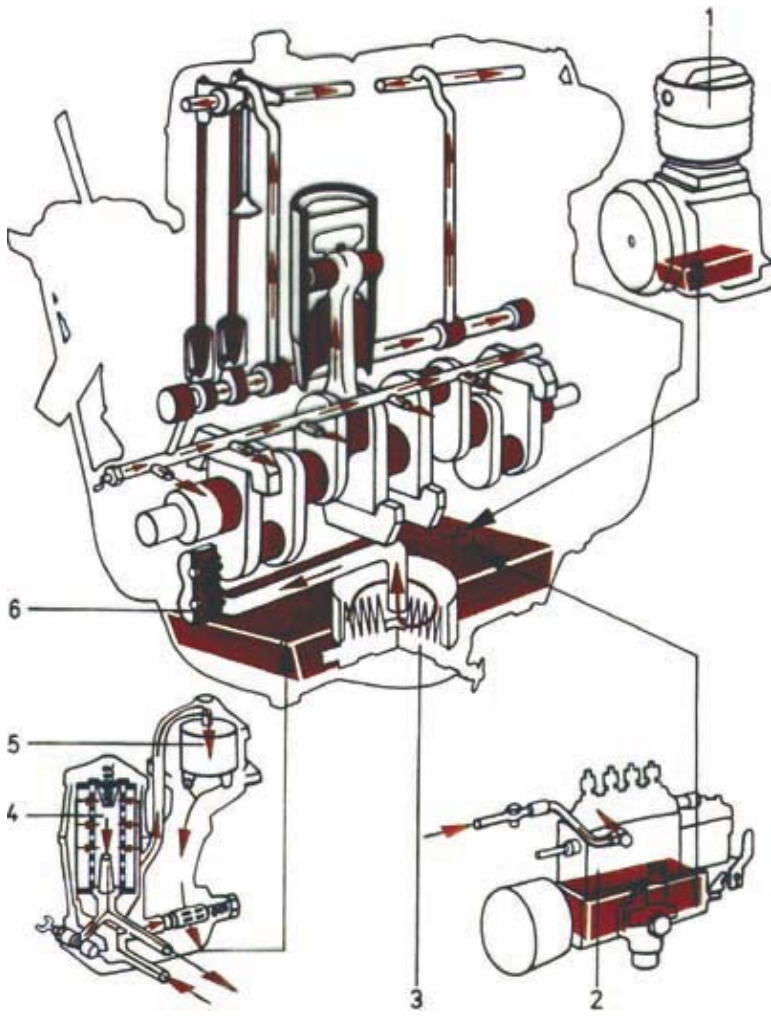
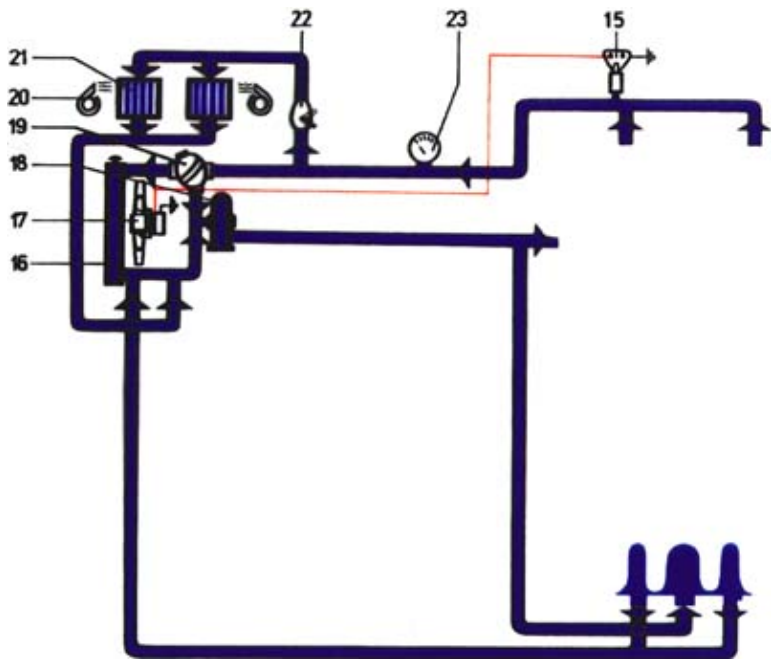
2



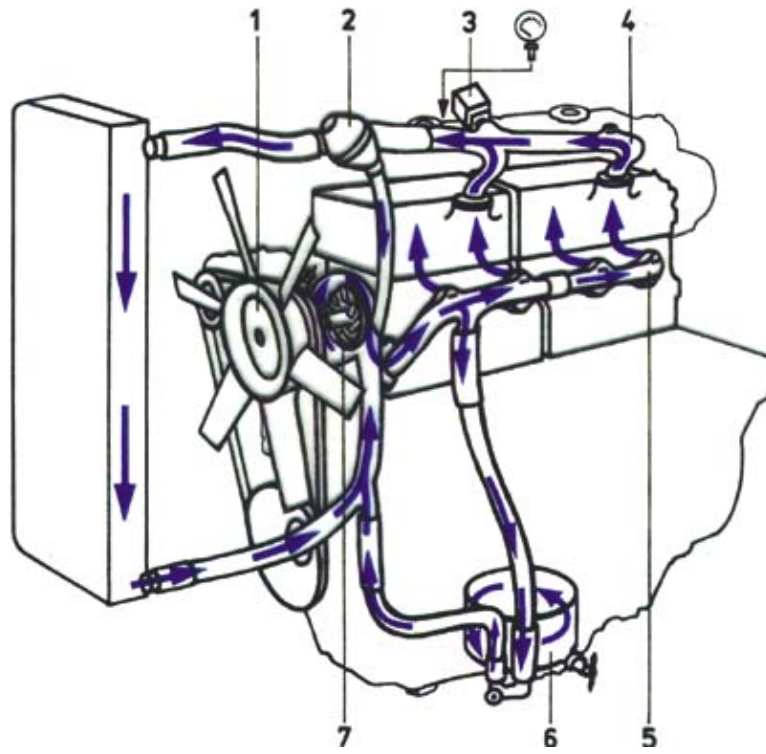
1



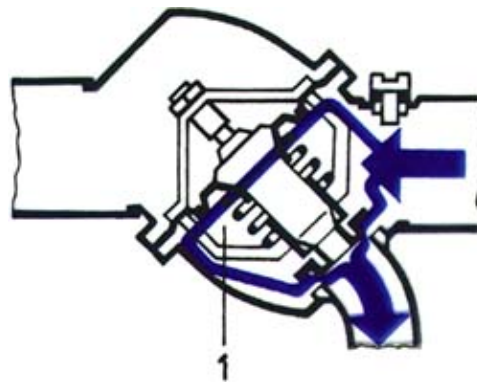
1



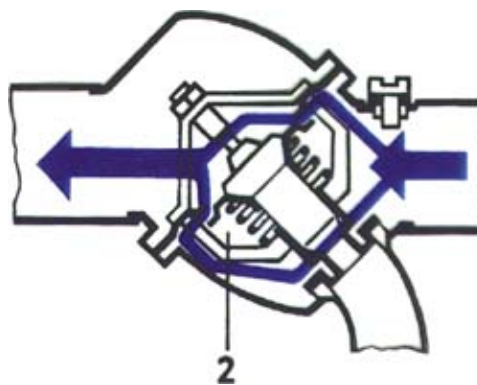
1



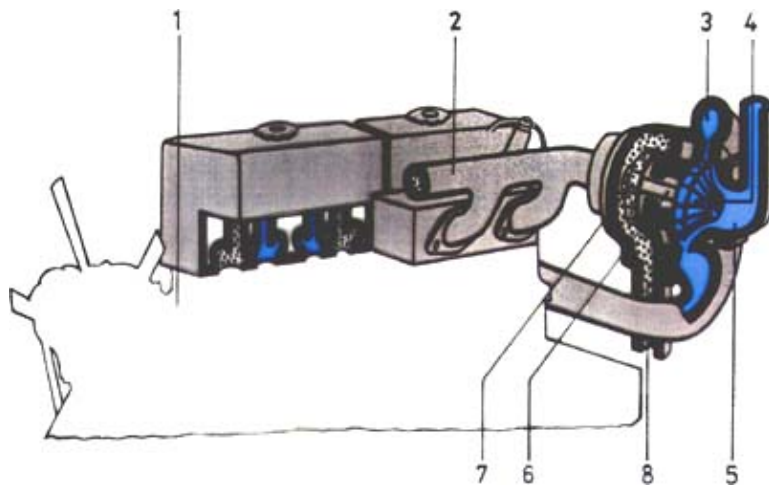
2



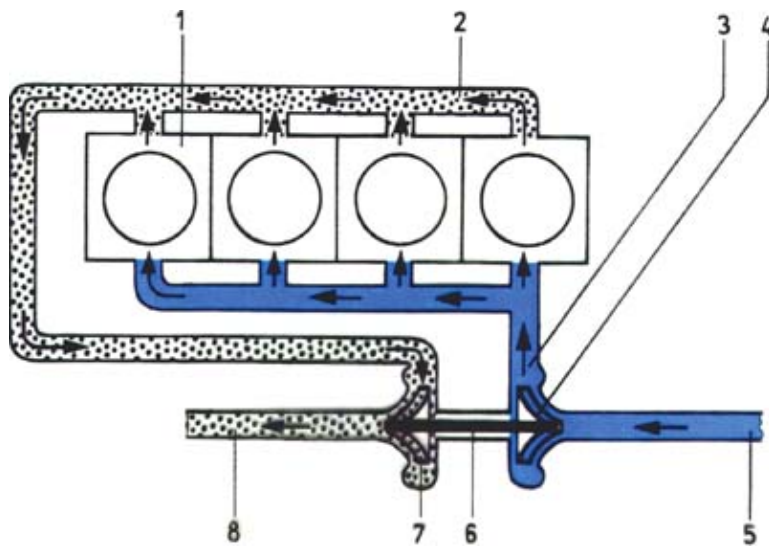
3



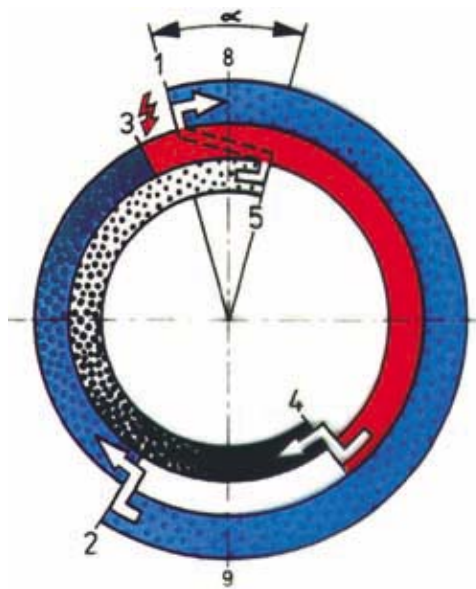
1



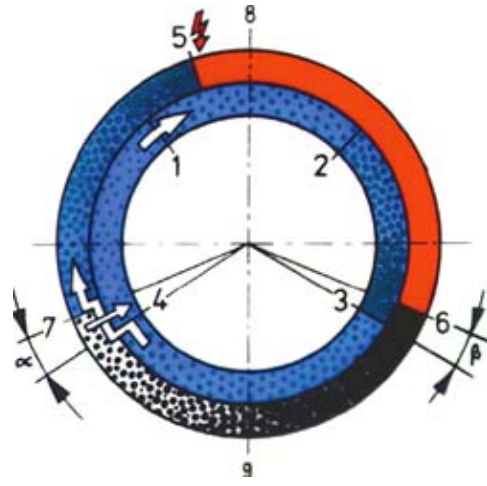
2



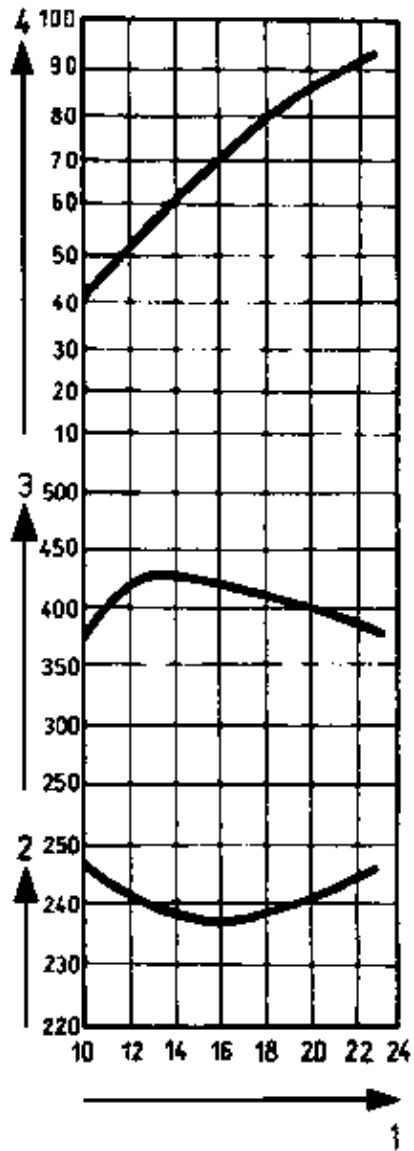
1



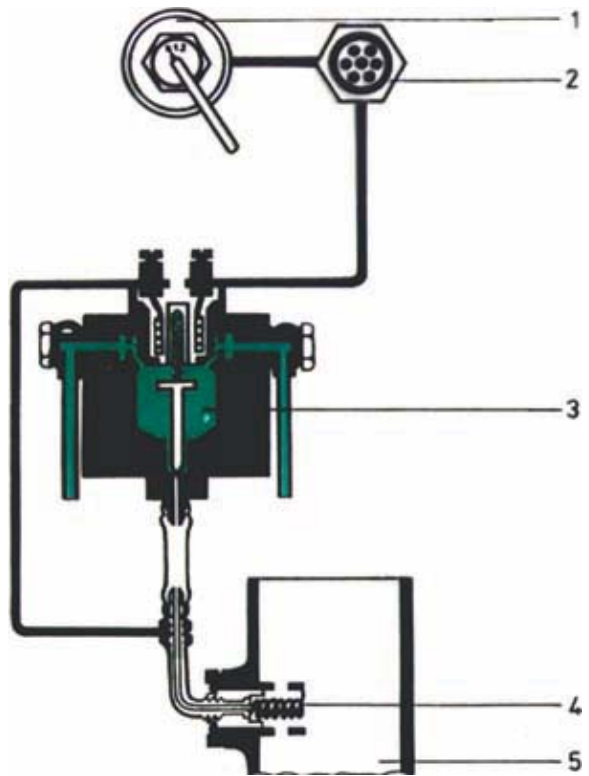
2



3



1



2

