

## **Power Transmission – Automotive Transparencies**

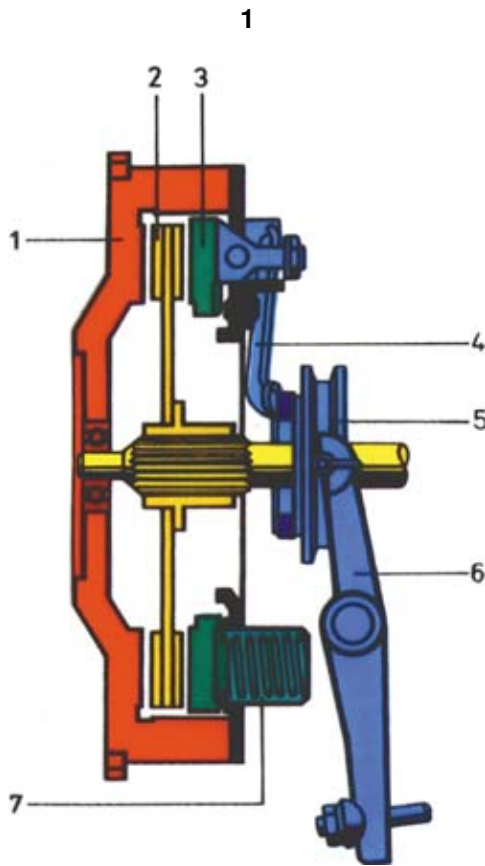
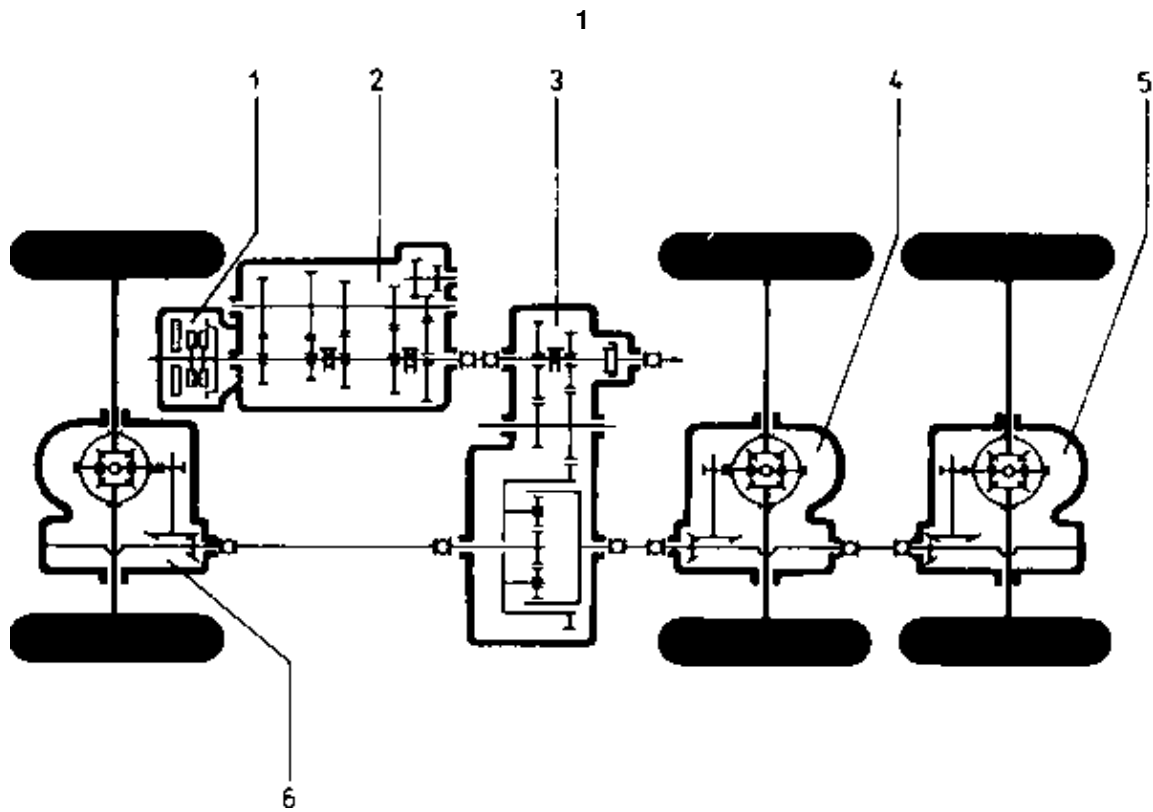


# Table of Contents

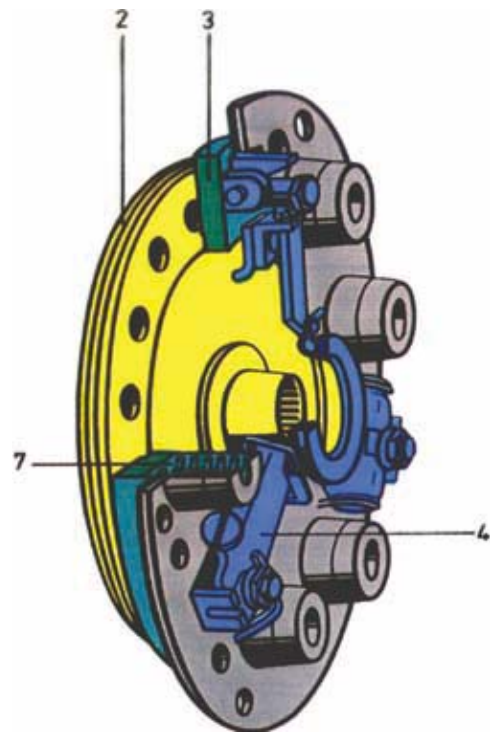
Power Transmission – Automotive Transparencies.....1



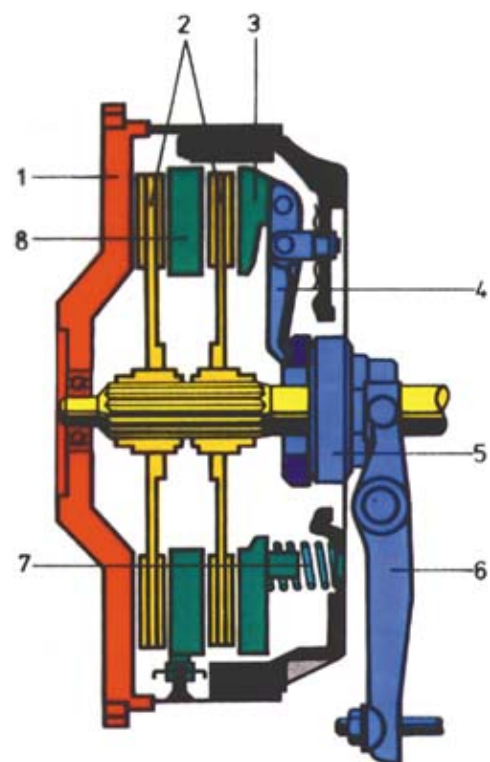
# Power Transmission – Automotive Transparencies



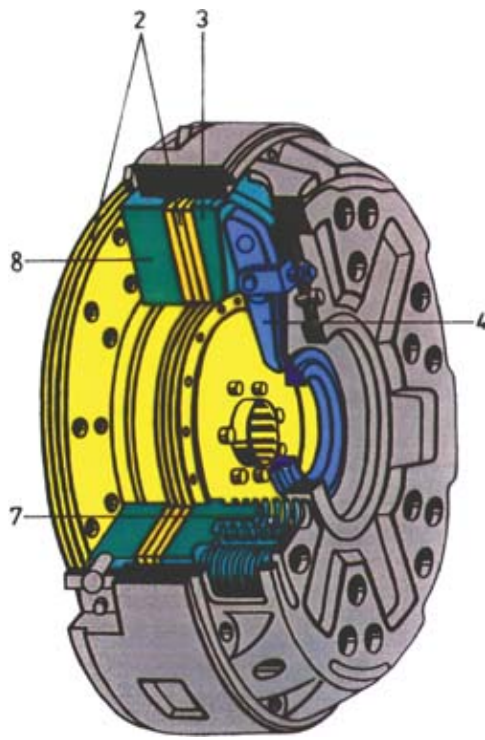
2



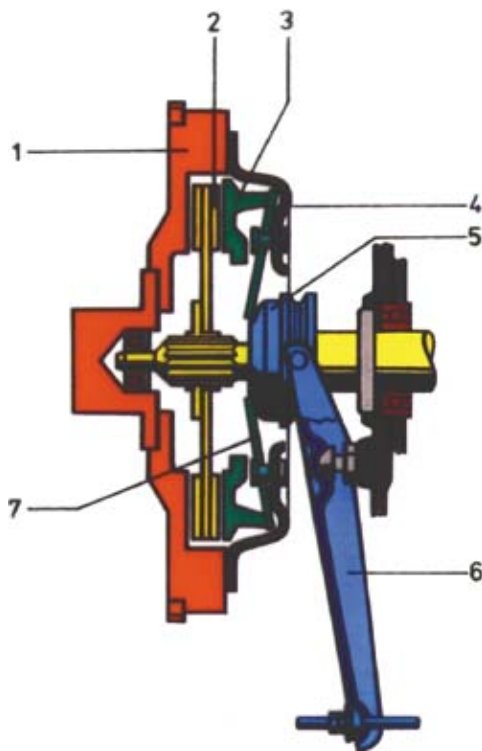
1



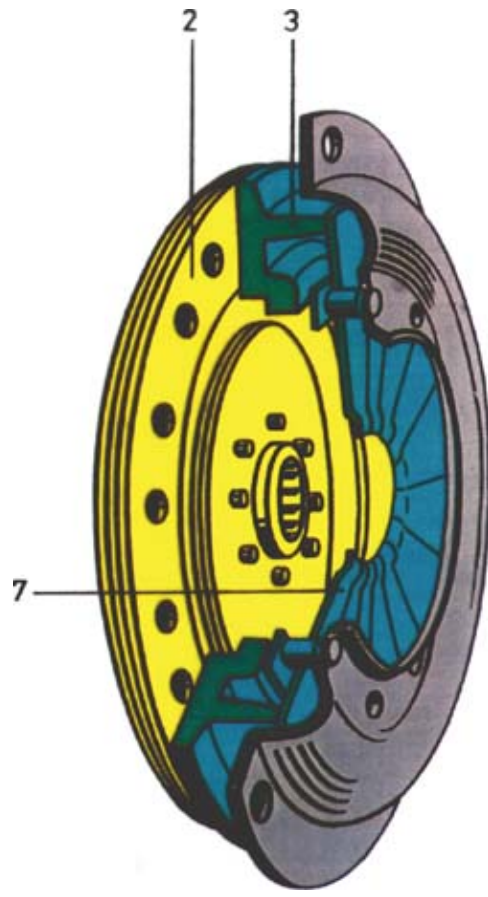
2



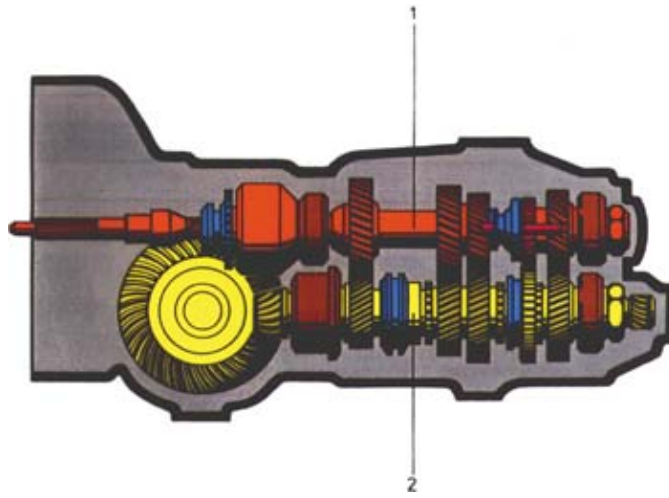
1



2

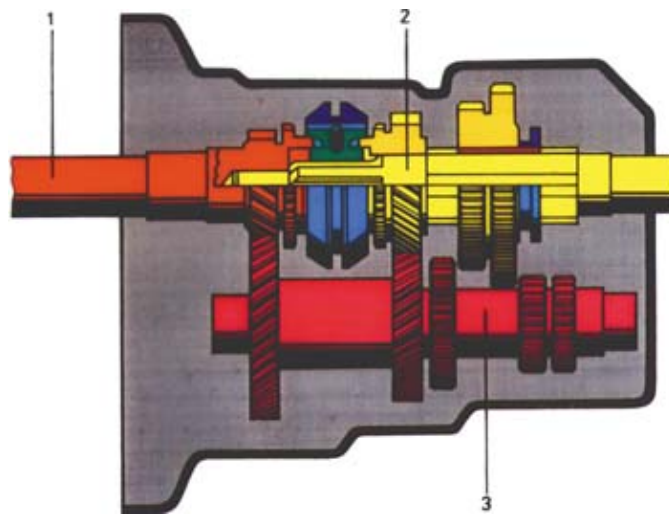


1

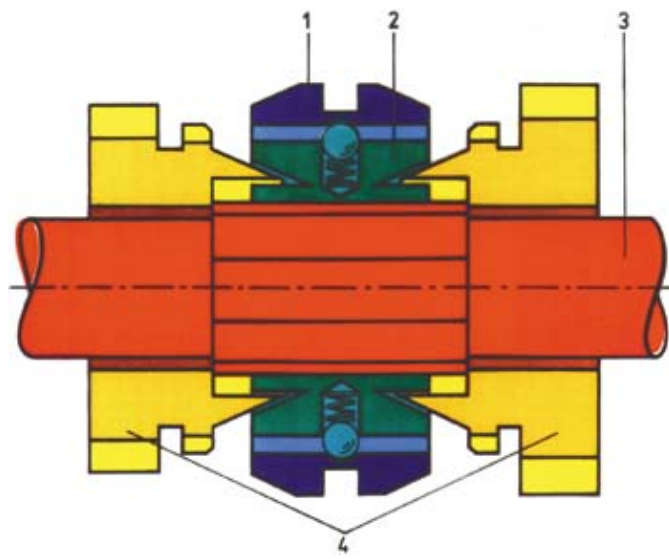


1

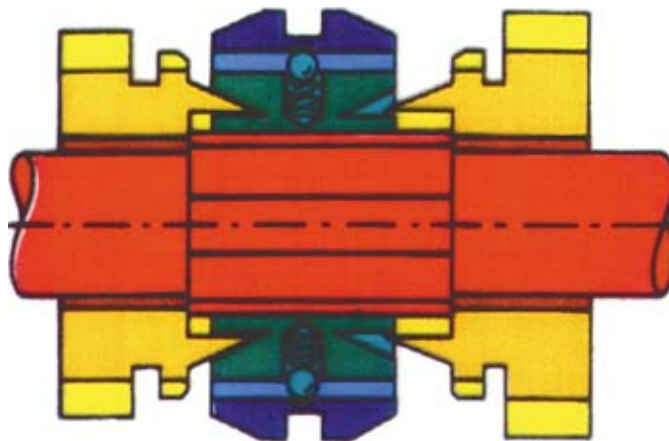




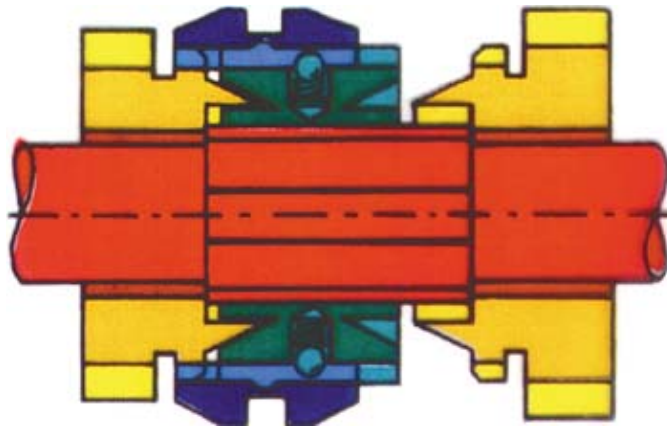
1



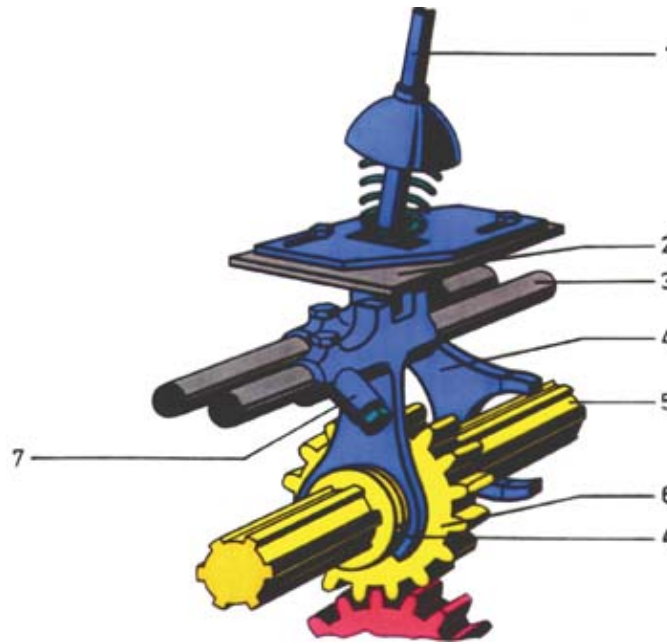
2



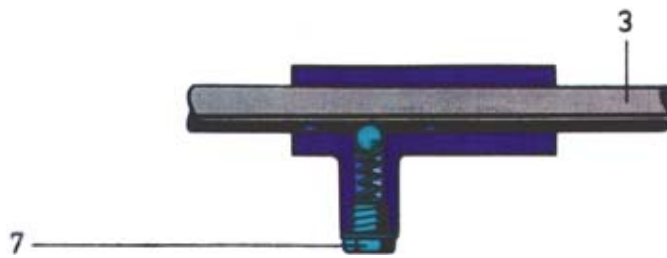
3



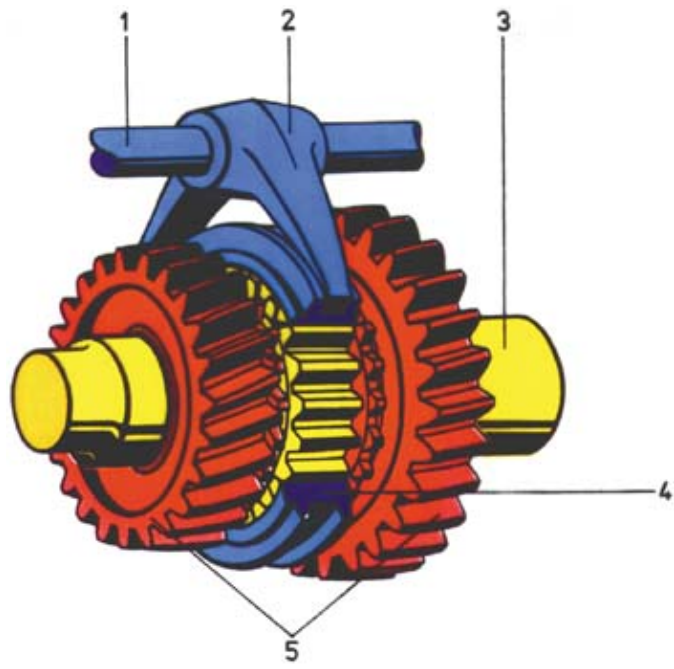
1



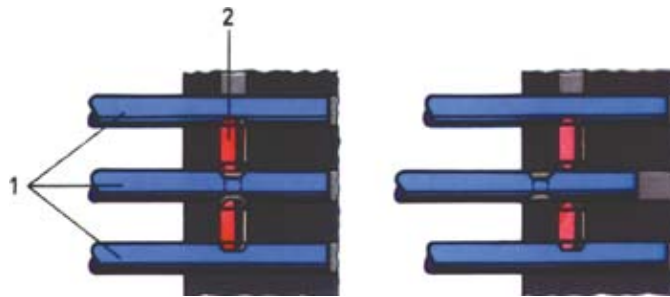
2



1



2



1



2



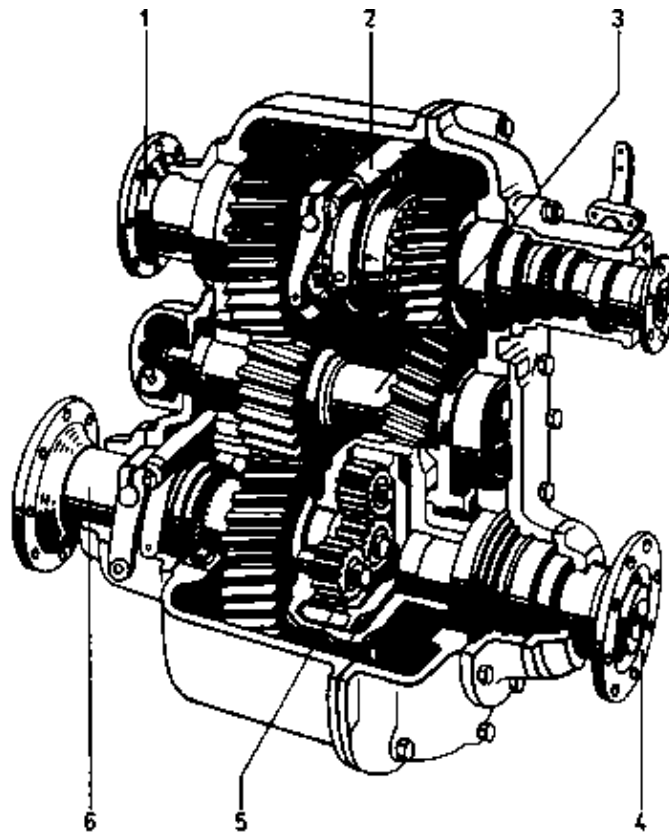
3



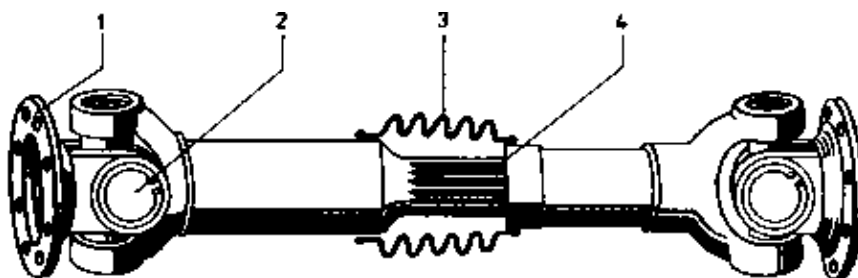
4



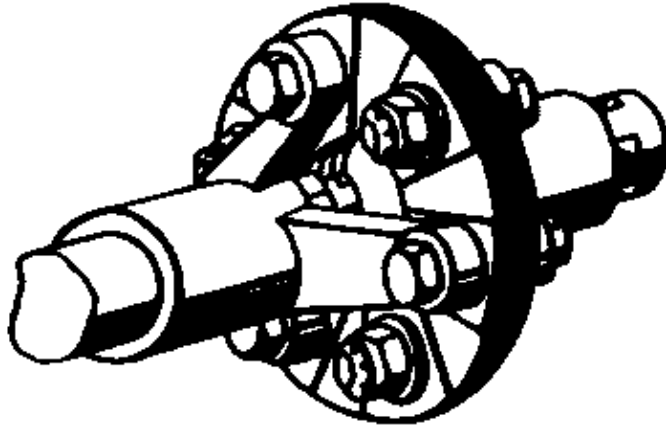
1



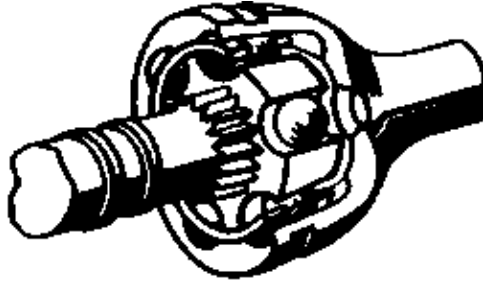
1



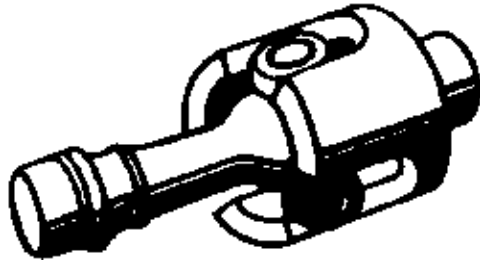
2



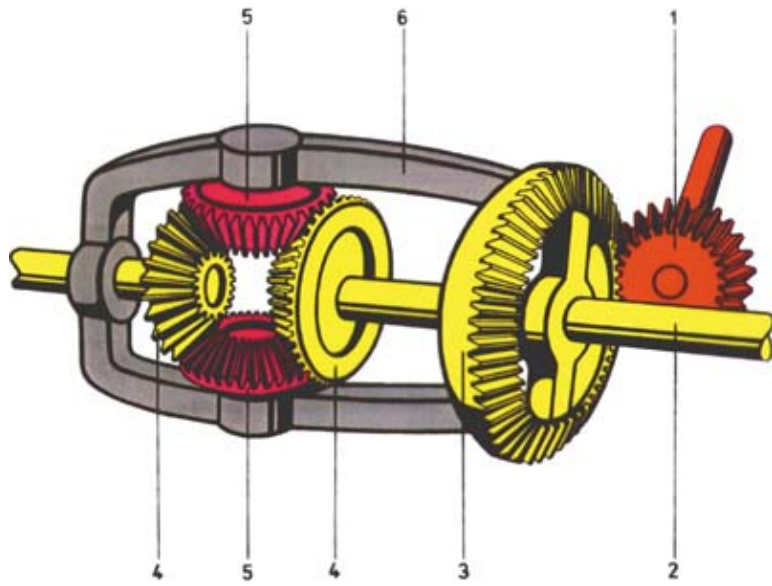
3



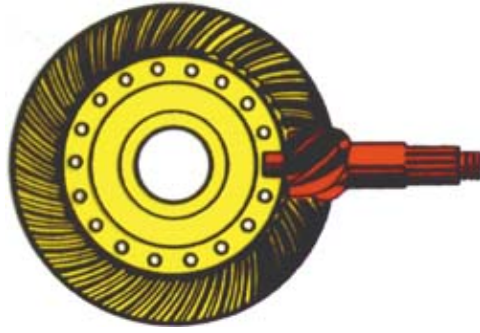
4



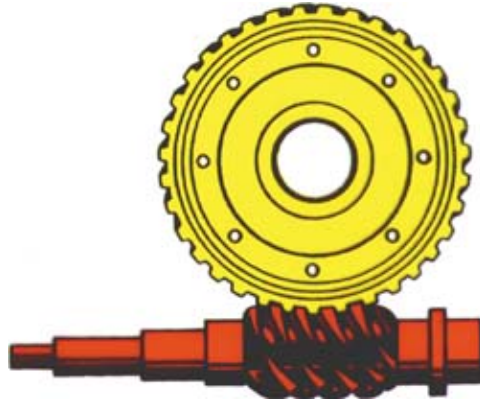
1



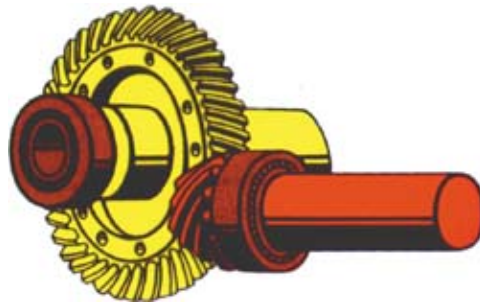
1



2



3



4

