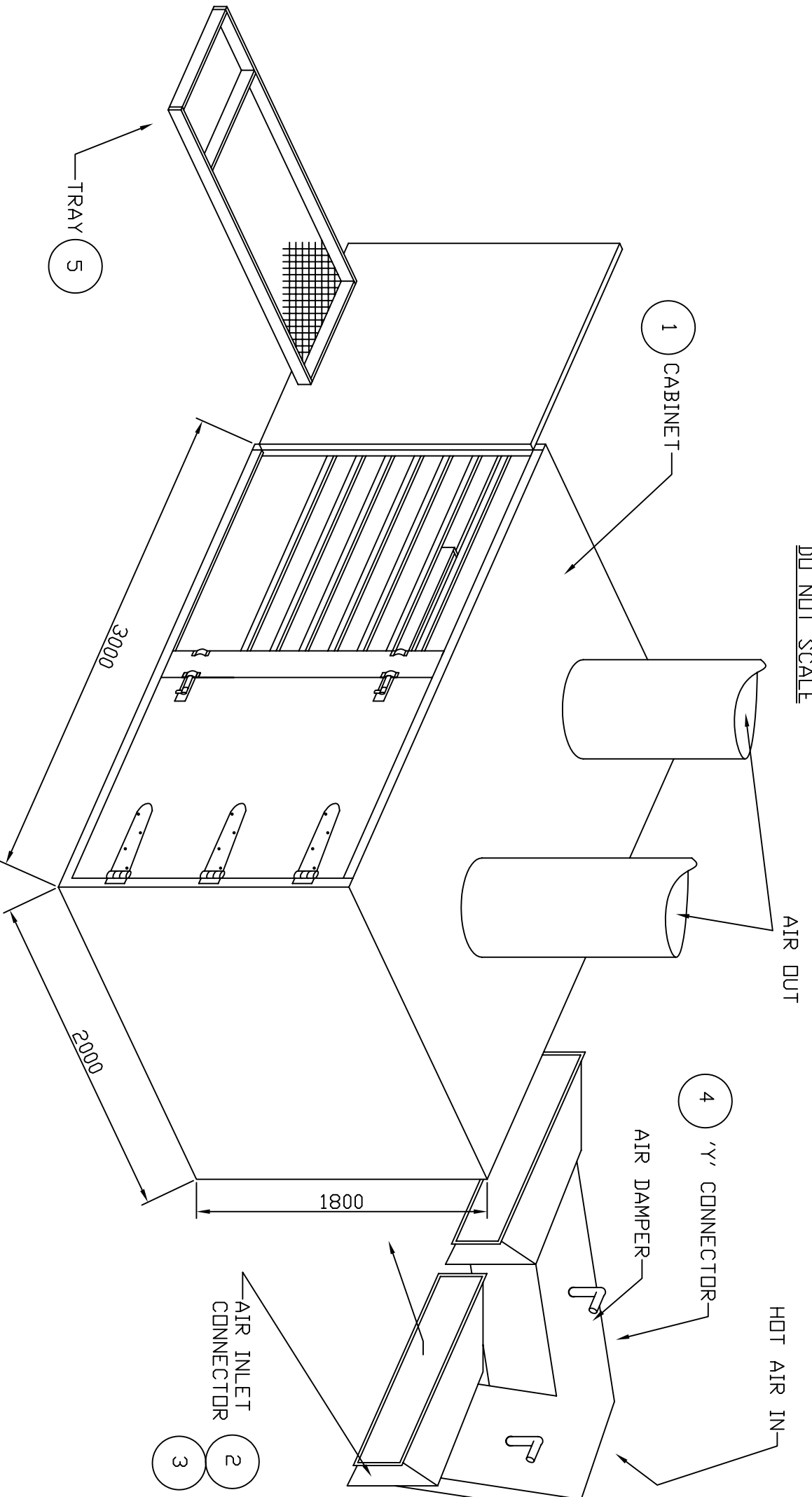


DD NDT SCALE



TOLERANCES  
UNLESS OTHERWISE  
STATED +/- 0,25

Practical  
Action  
[www.practicalaction.org](http://www.practicalaction.org)  
[info@practicalaction.org.uk](mailto:info@practicalaction.org.uk)

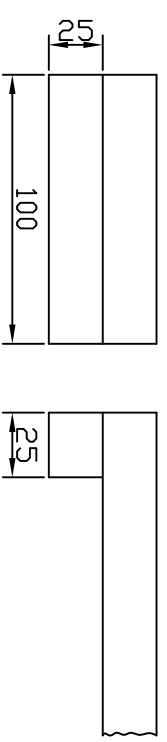
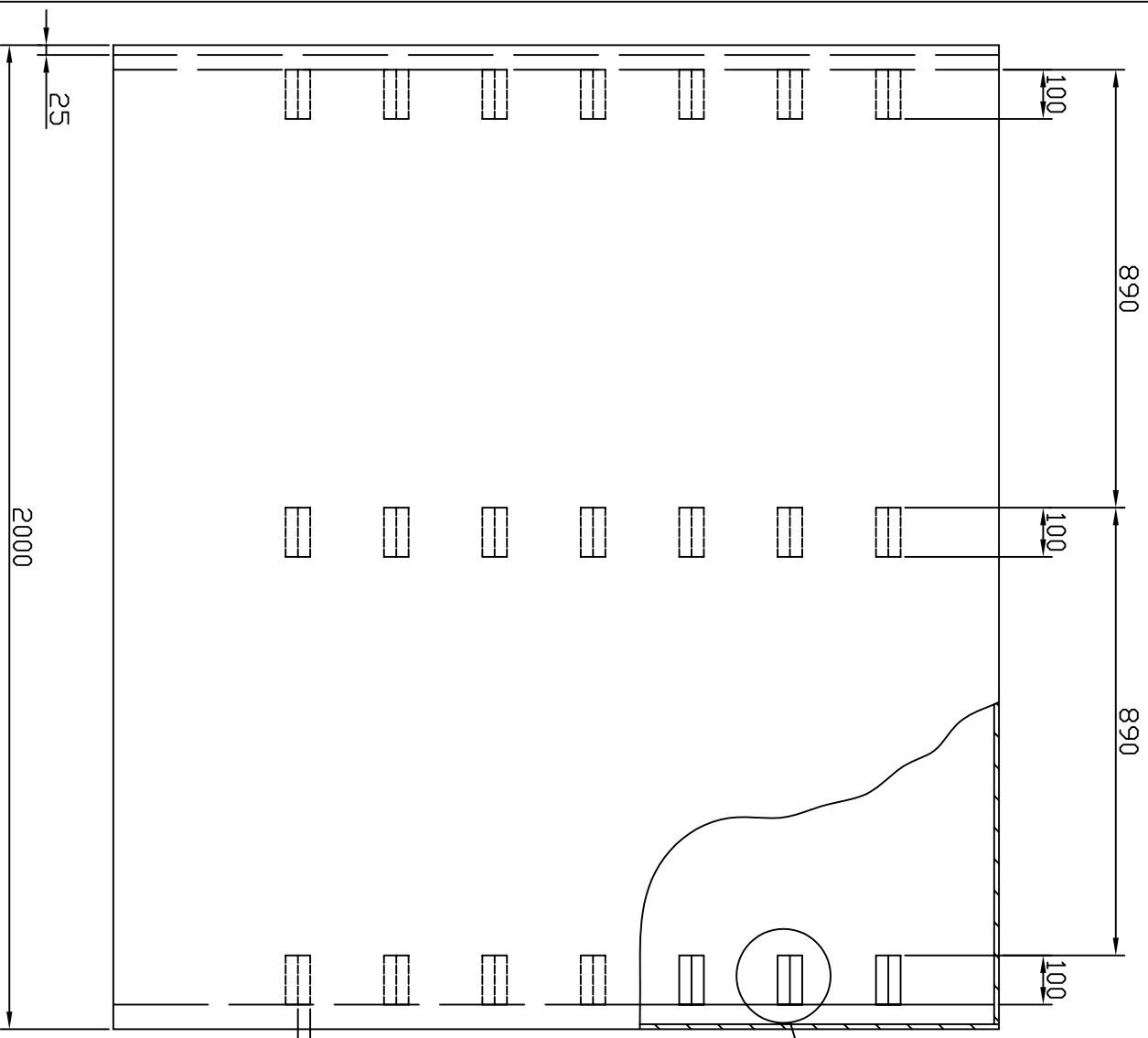
TITLE BATCH TRAY  
DRYER  
DIMENSIONS IN MM

DRAWN A.R.  
TRACE -  
CHK -  
DRAWING No. TDB100

NDT TO  
SCALE

No.		CHK	AP'D	DATE
REVISIONS	Description			

DO NOT SCALE



SHELF SUPPORT DETAIL

SIDE VIEW - A

1 CABINET SUB ASSEMBLY

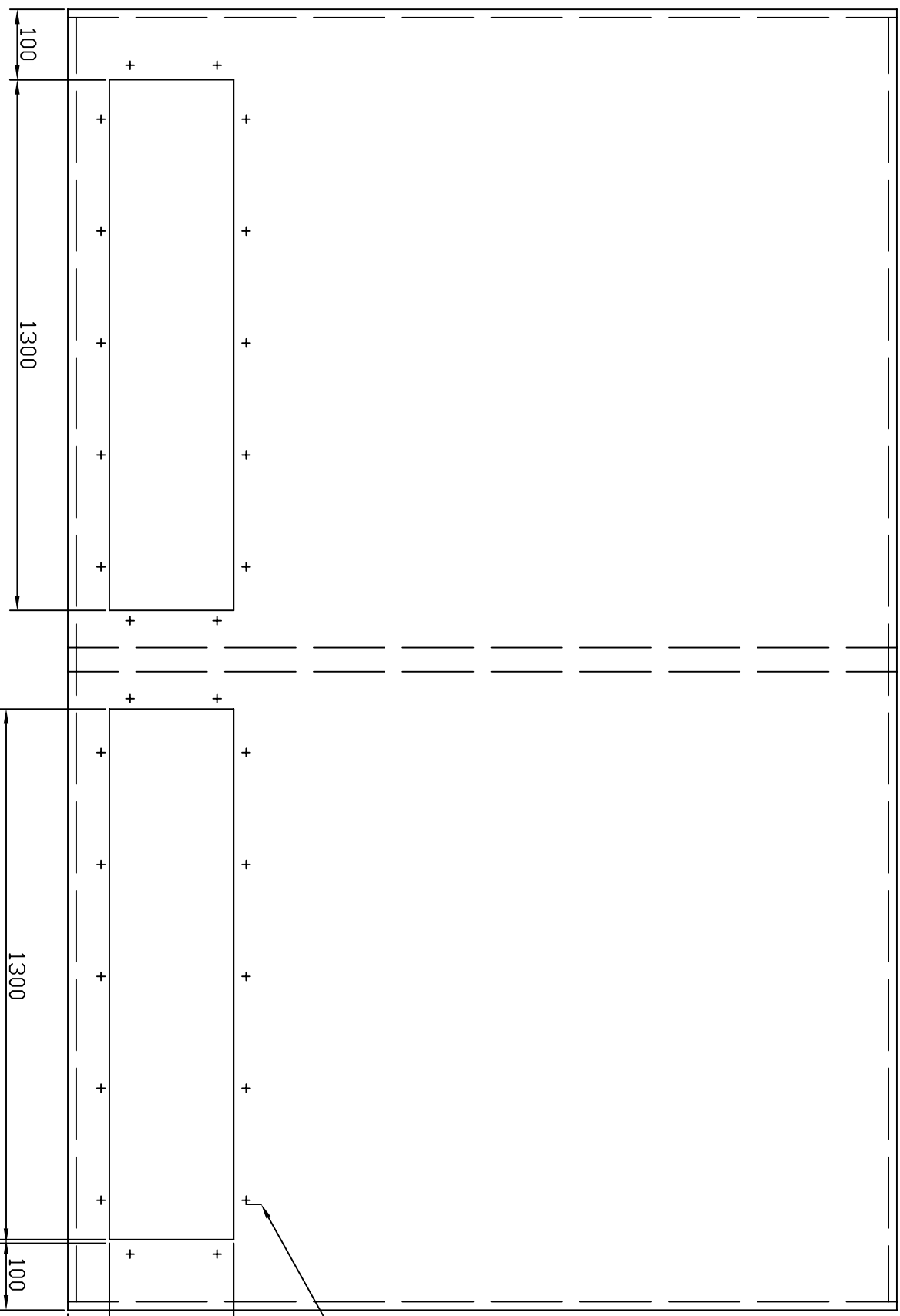
TOLERANCES  
UNLESS OTHERWISE  
STATED +/- 0.25

SHEET 1 OF 4

Practical Action www.practicalaction.org info@practicalaction.org.uk		TITLE BATCH TRAY DRYER		DRAWN A.R		TRACE -		CHK -		NDT TO SCALE	
REVISIONS		DIMENSIONS IN MM		DRAWING No. TDB101							
No.	Description	CHK	AP'D	DATE							



DD NDT SCALE



REAR VIEW - C

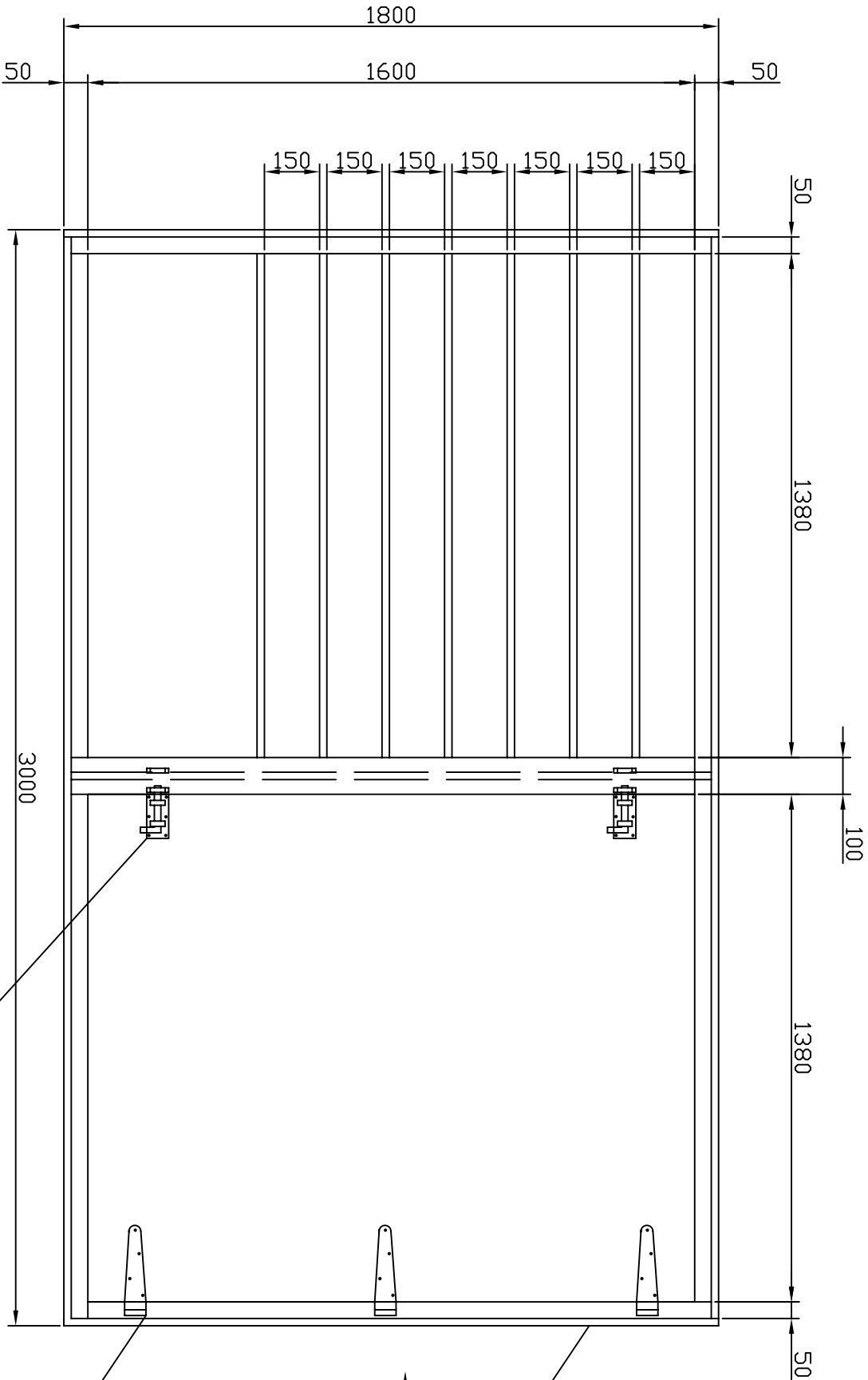
TOLERANCES  
UNLESS OTHERWISE  
STATED +/- 0.25

DRILL 8.5  
MARK OUT FROM AIR  
INLET CONNECTOR

1 CABINET SUB  
ASSEMBLY

Practical Action <a href="http://www.practicalaction.org">www.practicalaction.org</a> info@practicalaction.org uk		TITLE		DRAWN		TRACE		CHK		NDT TO	
Batch Dryer		BATCH TRAY DRYER		A.R		-		-		SCALE	
DIMENSIONS IN MM											
DRAWDING NO. TDB103											
No. REVISIONS		Description		CHK		AP'D		DATE			

DD NDT SCALE



FRONT VIEW

TOLERANCES UNLESS OTHERWISE STATED +/- 0.25

1c 1 CABINET SUB ASSEMBLY - 1 OFF -

No.	Description	CHK	AP'D	DATE
2	4 x Slide Bolt 100mm			
1	6 x Tee Hinge 250mm			
REVISIONS				

Practical Action  
www.practicalaction.org  
info@practicalaction.org.uk

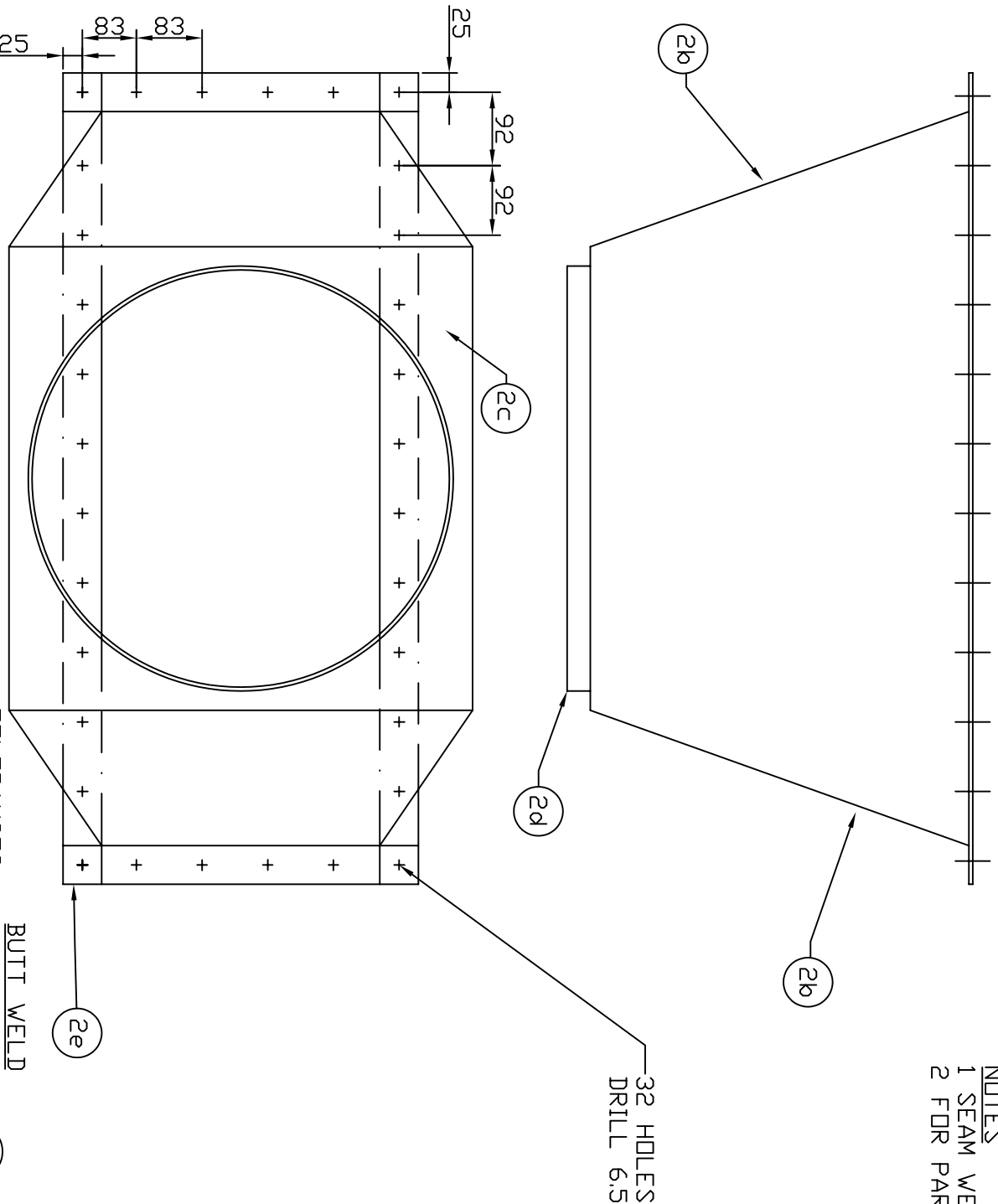
TITLE BATCH TRAY DRYER  
DIMENSIONS IN MM

DRAWN A.R  
TRACE -  
CHK -  
DRAWING No. TDB103

NDT TO SCALE

DD NDT SCALE

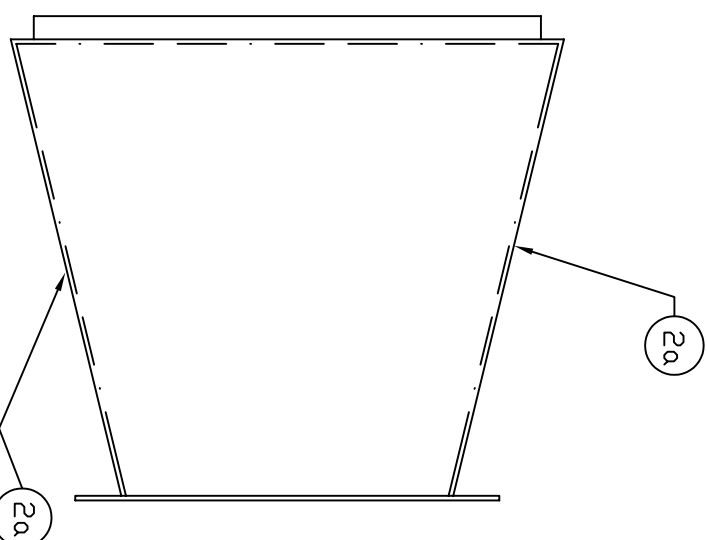
NOTES  
 1 SEAM WELD ALL JOINTS  
 2 FOR PART DETAILS SEE SHEET 2



TOLERANCES  
 UNLESS OTHERWISE  
 STATED  $\pm 0.25$

BUTT WELD

32 HOLES  
 DRILL 6.5



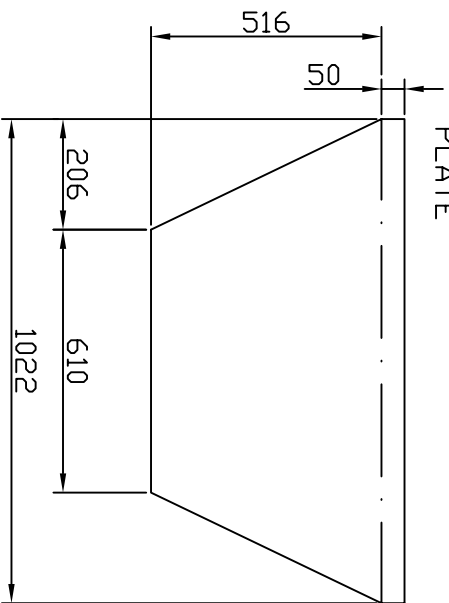
2 AIR INLET CONNECTOR SUB ASSEMBLY

SHEET 1 OF 2

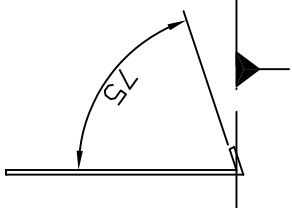
Practical Action www.practicalaction.org info@practicalaction.org.uk		TITLE	BATCH	TRAY	DRAWN	TRACE	CHK	NDT TO SCALE	
Action		DIMENSIONS IN MM	DRYER		AIR	-	-		
TOLERANCES UNLESS OTHERWISE STATED $\pm 0.25$		2 AIR INLET CONNECTOR SUB ASSEMBLY		DRAWING No. TDB105					
BUTT WELD									
32 HOLES DRILL 6.5									
2e									
2d									
2c									
2b									
2a									
Description		CHK		AP'D		DATE			
No. REVISIONS									

DD NDT SCALE

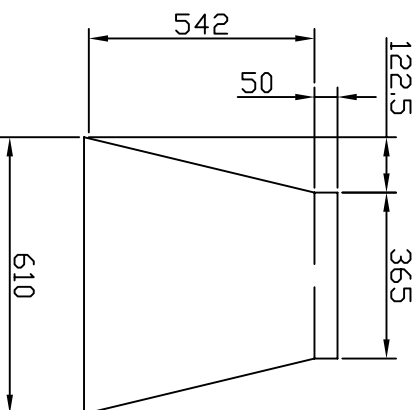
2a) TOP & BOTTOM PLATE  
2 OFF PER AIR INLET -  
18G 1mm MILD STEEL  
PLATE



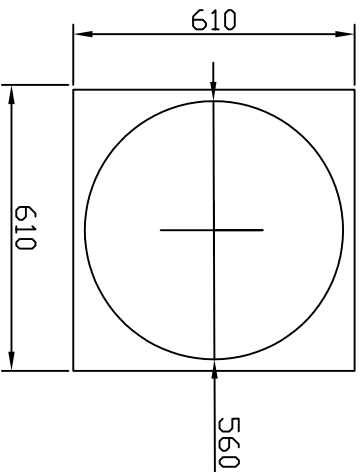
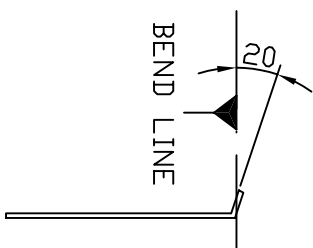
BEND LINE



2b) SIDE SELECTION - 2 OFF  
PER AIR INLET - 18G 1mm  
STEEL PLATE



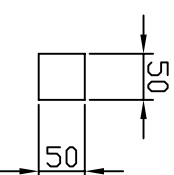
BEND LINE



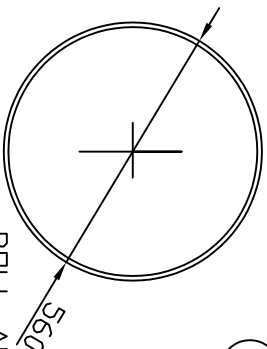
2c) END PLATE  
1 OFF PER AIR  
INLET - 18G 1mm MILD  
STEEL PLATE



2d) CONNECTION SLEEVE  
1 OFF PER AIR  
INLET - 18G 1mm  
STEEL PLATE



2e) FILLET - 4 OFF PER  
AIR INLET - MILD  
STEEL



ROLL AND BUTT WELD  
TO FORM THE SLEEVE

TOLERANCES  
UNLESS OTHERWISE  
STATED  $\pm 0.25$

2) AIR INLET SUB ASSEMBLY

SHEET 2 OF 2

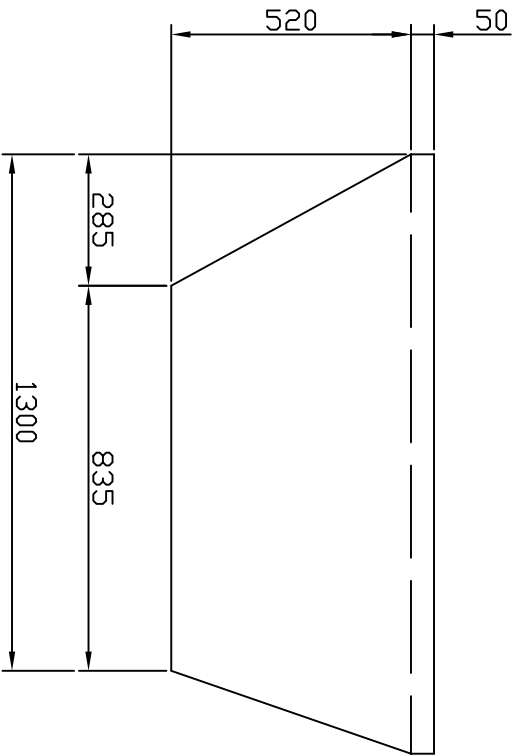
No.		Description		CHK	AP'D	DATE	Practical Action		TITLE	BATCH TRAY	DRAWN	TRACE	CHK	NDT TO SCALE	
REVISIONS		Description		CHK	AP'D	DATE	www.practicalaction.org info@practicalaction.org.uk		DIMENSIONS IN MM	DRYER	AIR	-	-	DRAWING No. TDB106	



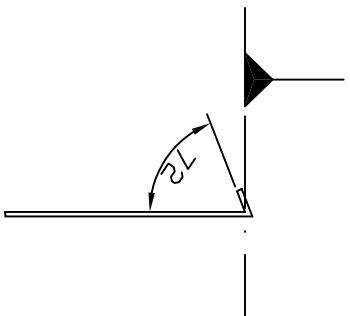


3a TOP & BOTTOM SECTION -  
2 OFF PER AIR INLET - 1  
mm MILD STEEL

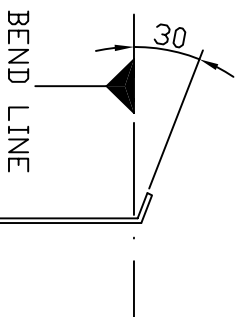
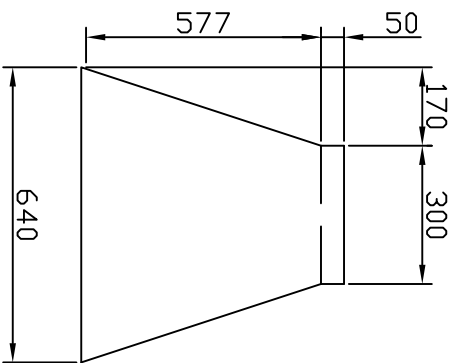
DD NDT SCALE



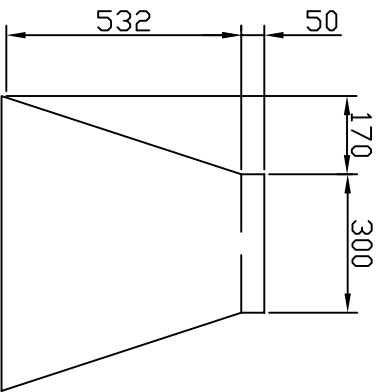
BEND LINE



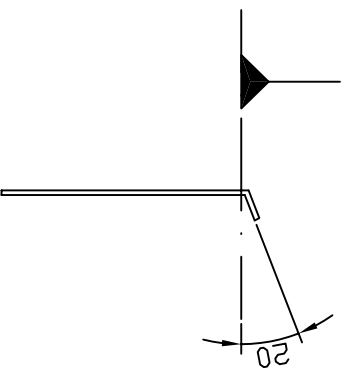
3b L.H.S SECTION -  
1 OFF PER AIR INLET - 1  
mm MILD STEEL



3c R.H.S SECTION - 1 OFF PER AIR  
INLET - 1 mm STEAL PLATE

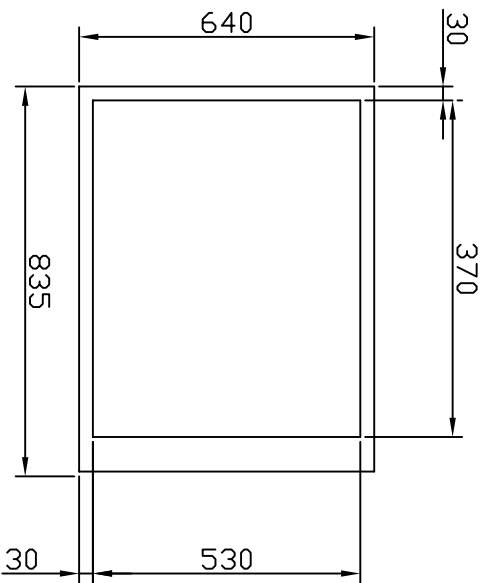


BEND LINE

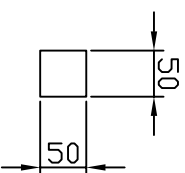


TOLERANCES  
UNLESS OTHERWISE  
STATED +/- 0.25


3d END PLATE - 1 OFF PER  
AIR INLET - 1 mm STEEL  
PLATE



3e FILLET - 4 OFF PER AIR  
INLET - 1 mm MILD STEEL  
PLATE



3 AIR INLET CONNECTOR  
SUB ASSEMBLY  
SHEET 2 OF 2

No.	Description	CHK	AP'D	DATE	Practical Action <a href="http://www.practicalaction.org">www.practicalaction.org</a> Info@practicalaction.org	TITLE BATCH TRAY DRYER DIMENSIONS IN MM	DRAWN A.R	TRACE -	CHK -	 NDT TO SCALE
		REVISIONS								

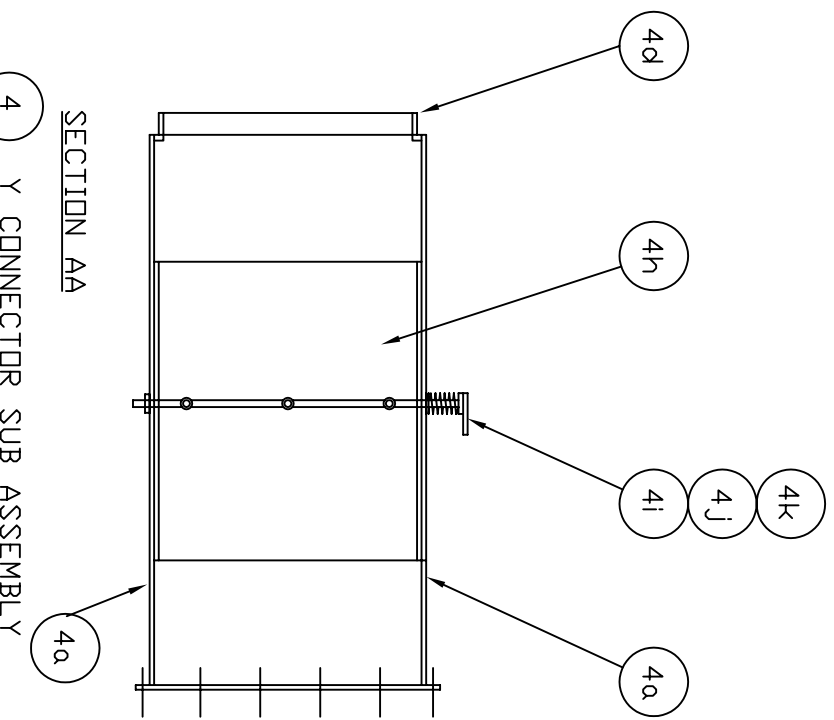
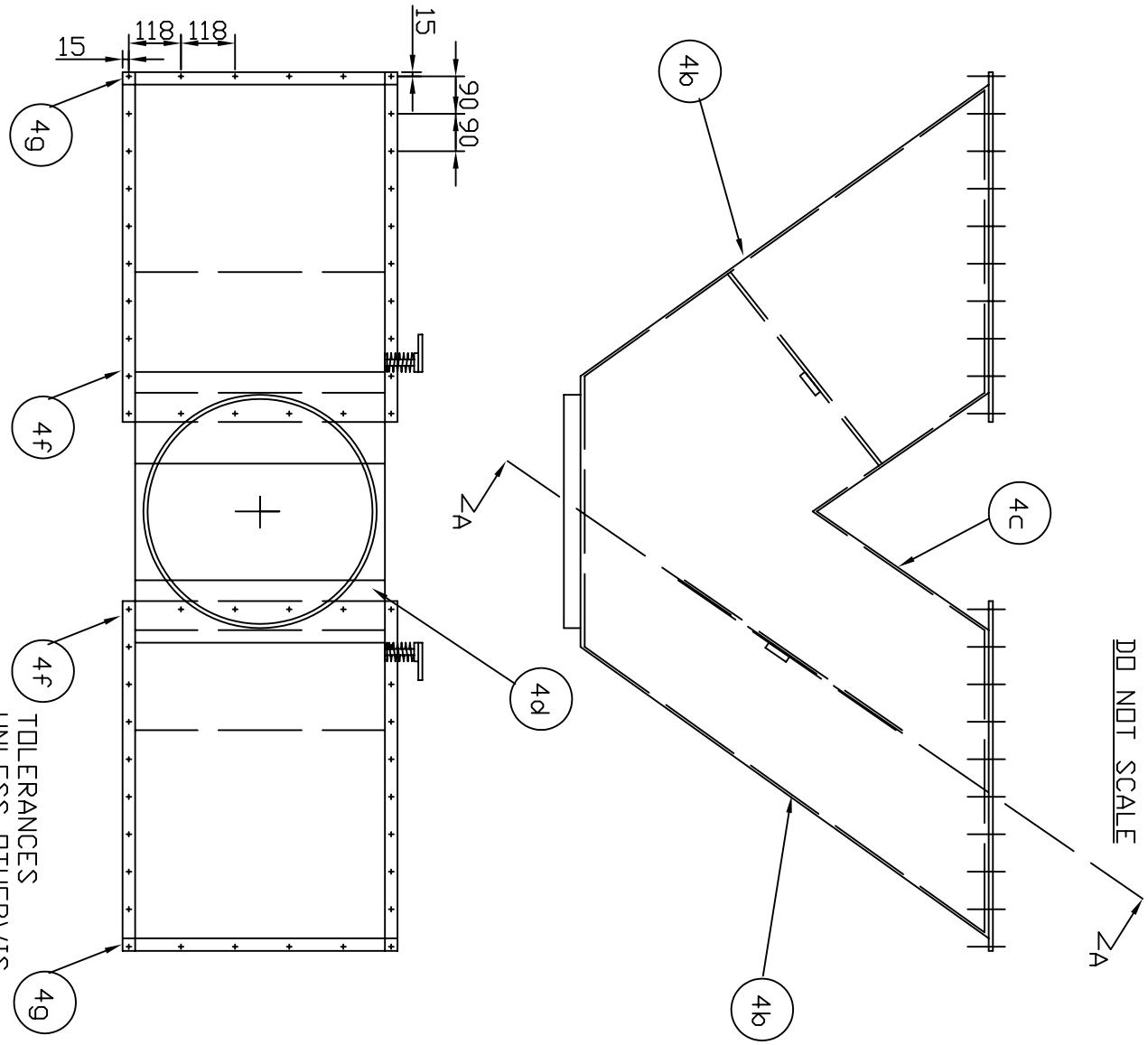
No.	Description	CHK	AP'D	DATE
REVISIONS				

Practical Action  
[www.practicalaction.org](http://www.practicalaction.org)  
[info@practicalaction.org.uk](mailto:info@practicalaction.org.uk)

TITLE	BATCH TRAY DRYER
DIMENSIONS IN MM	

DRAWN A/R	TRACE -	CHK -
DRAWING No. TDB109		

	NDT TO SCALE
SHEET 1 OF 3	

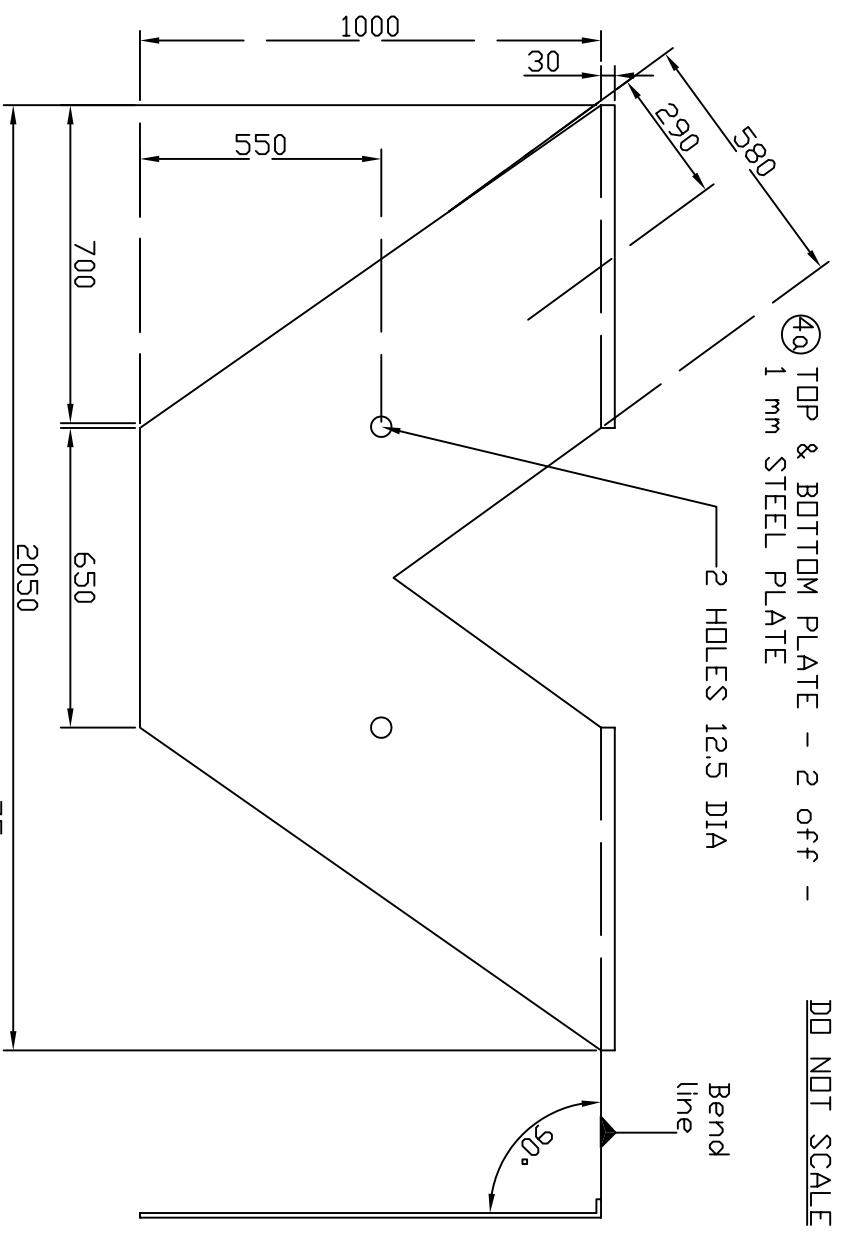


NOTES  
 1 SEAM WELD ALL PARTS  
 2 FOR PART DETAILS SEE SHEET 2 AND 3

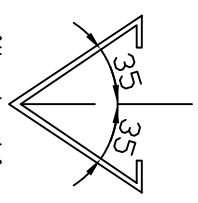
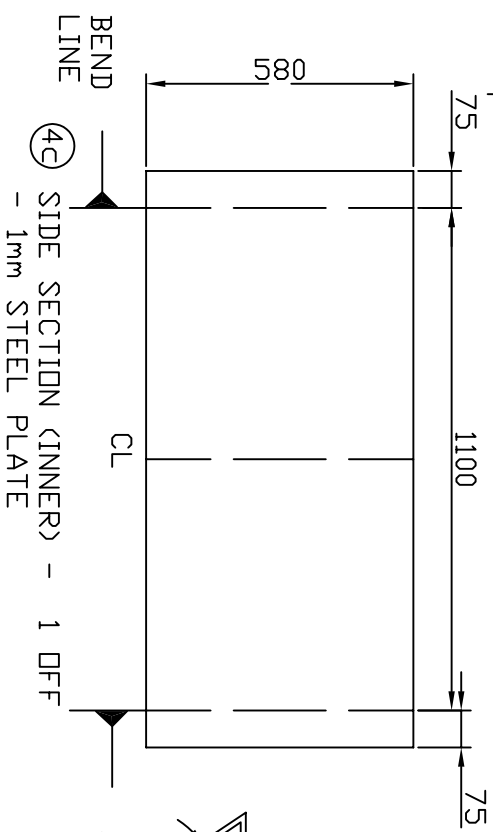
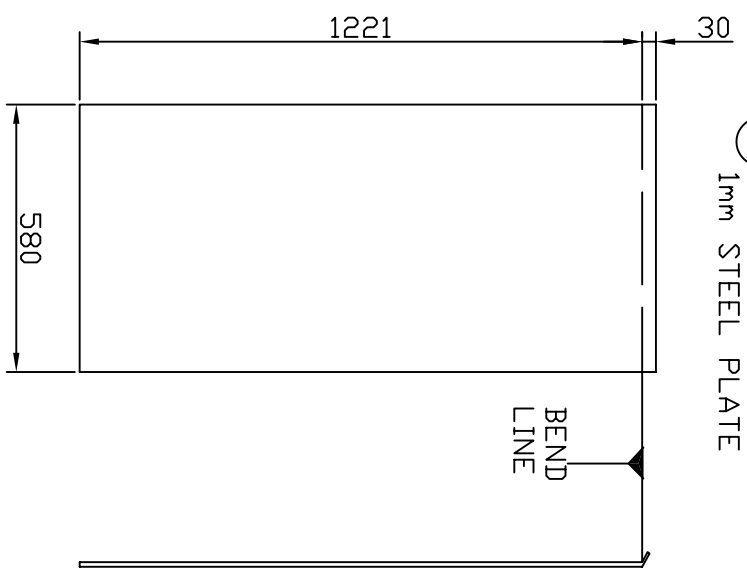
DD NDT SCALE  
 Z A

DO NOT SCALE

4a) TOP & BOTTOM PLATE - 2 OFF -  
1 mm STEEL PLATE

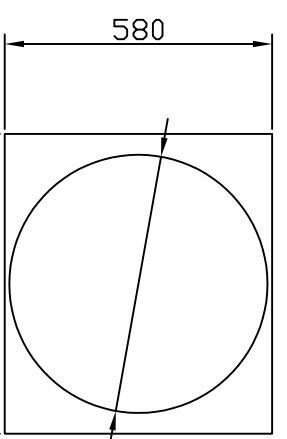


4b) SIDE SECTION (OUTER) - 1 OFF -  
1mm STEEL PLATE



TOLERANCES UNLESS OTHERWISE STATED +/- 0.25

4) Y CONNECTOR SUB ASSEMBLY

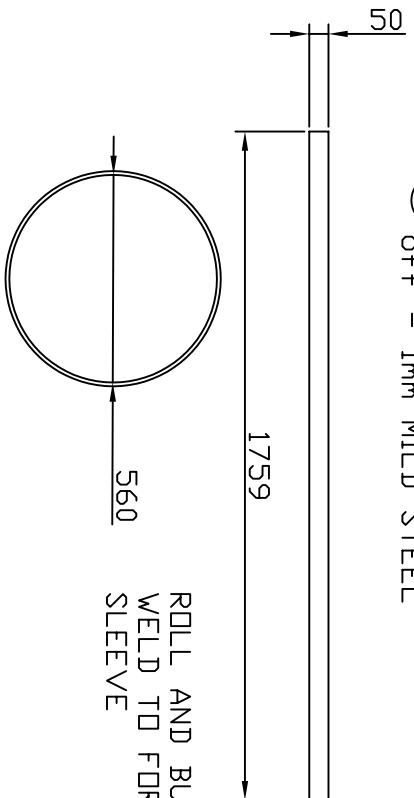


NO.	Description	CHK	AP'D	DATE
REVISIONS				

Practical Action	TITLE	BATCH TRAY DRYER	DRAWN A.R	TRACE	CHK	DRAWING No. TDB110	NDT TO SCALE
www.practicalaction.org info@practicalaction.org.uk	DIMENSIONS IN MM		SHEET 2 OF 3				

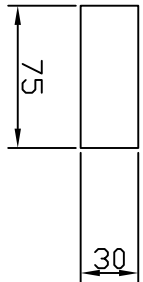
DD NDT SCALE

4e CONNECTION SLEEVE - 1  
off - 1mm MILD STEEL

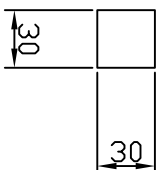


ROLL AND BUTT  
WELD TO FORM THE  
SLEEVE

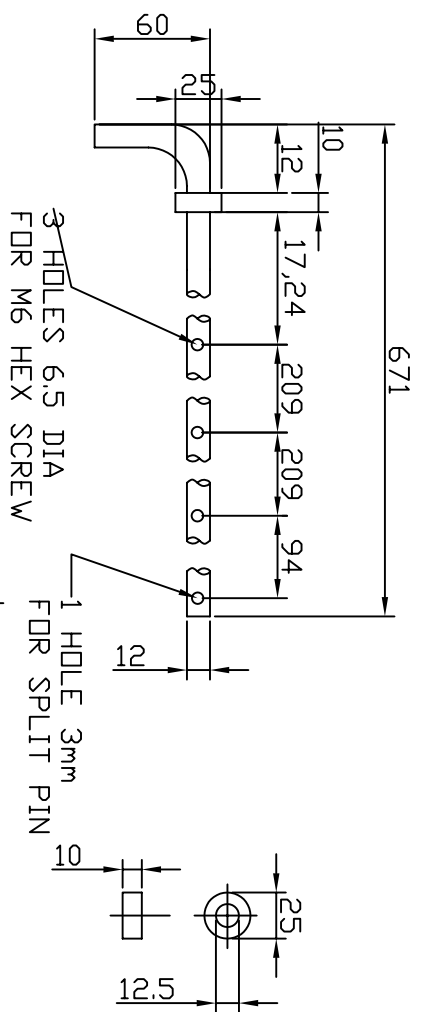
4f FILLET - 4 DFF -  
1mm MILD STEEL  
PLATE



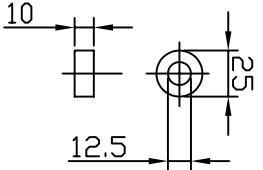
4g FILLET - 4 off -  
1mm MILD STEEL  
PLATE



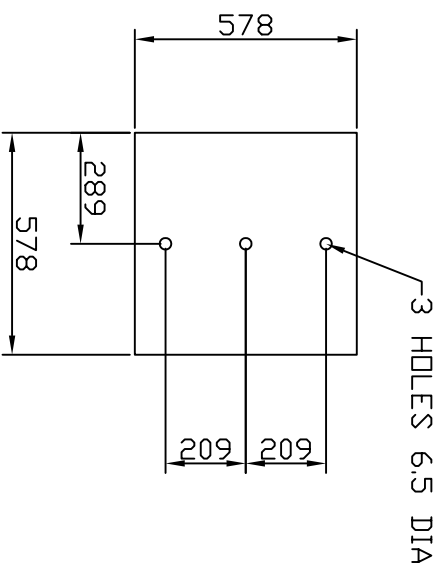
4i DAMPER HANDLE - 2  
DFF - MILD STEEL



4j DAMPER STOP - 2  
DFF - MILD STEEL

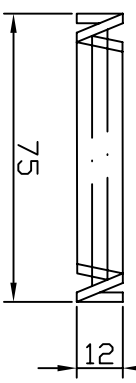


4h DAMPER - 2 DFF -  
1mm MILD STEEL  
PLATE



TOLERANCES  
UNLESS OTHERWISE  
STATED +/- 0.25

4k DAMPER SPRING - 2 DFF  
- SPRING STEEL



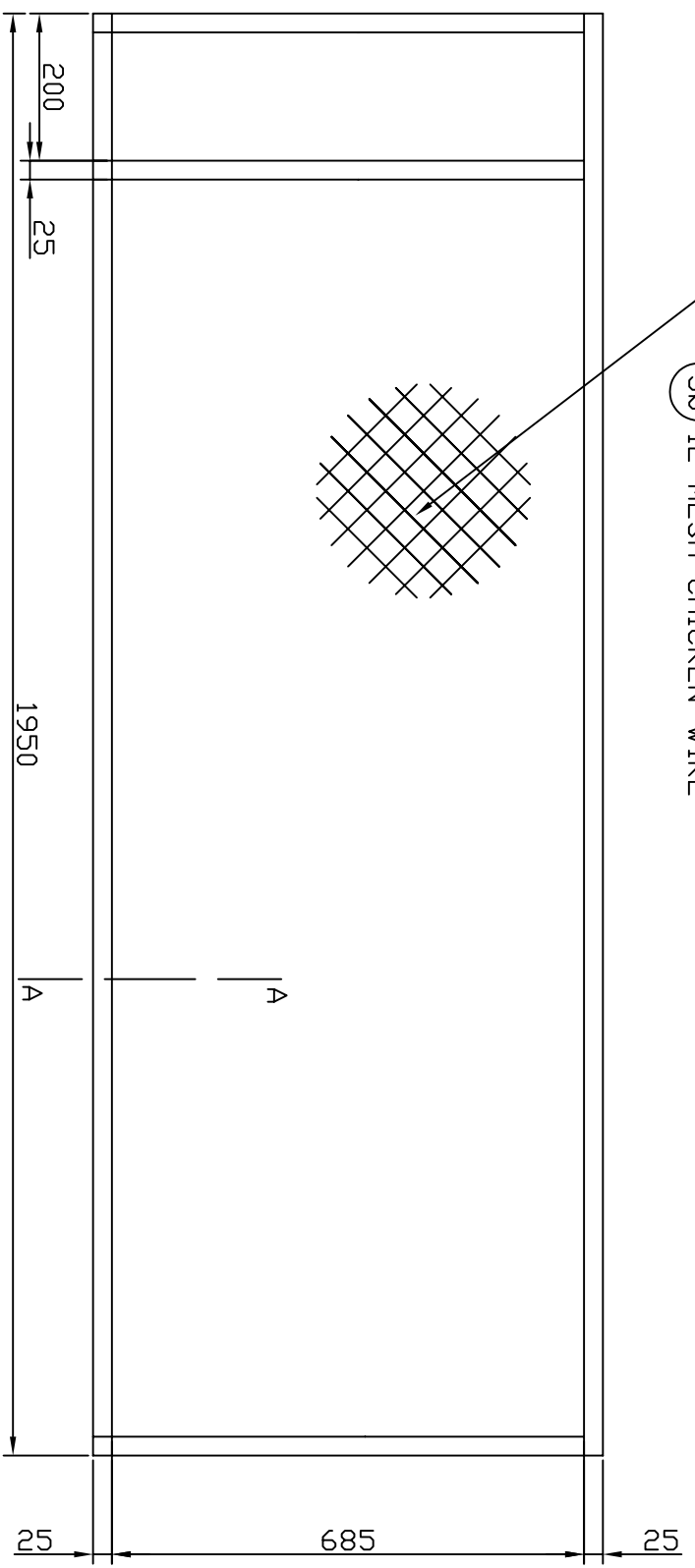
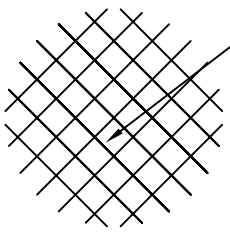
4 Y CONNECTOR SUB ASSEMBLY

SHEET 3 OF 3

No.		Description		CHK	AP'D	DATE
REVISIONS						
Practical Action www.practicalaction.org info@practicalaction.org.uk						
TITLE		BATCH	TRAY			
DIMENSIONS IN MM		DRYER				
DRAWN		TRACE	CHK			
DRAWING No. TDB111		A.R	-			
				NDT TO SCALE		

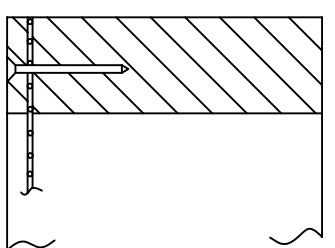
DD NDT SCALE

5b 12 MESH CHICKEN WIRE



5b FRAME - 28 OFF - SOFT WOOD

75  
6



SECTION - AA

TOLERANCES  
UNLESS OTHERWISE  
STATED +/- 0.25

5 TRAY ASSEMBLY

No.	Description	CHK	AP'D	DATE

Practical  
Action  
[www.practicalaction.org](http://www.practicalaction.org)  
[info@practicalaction.org.uk](mailto:info@practicalaction.org.uk)

TITLE BATCH TRAY  
DRYER  
DIMENSIONS IN MM

DRAWN  
A,R

TRACE  
-

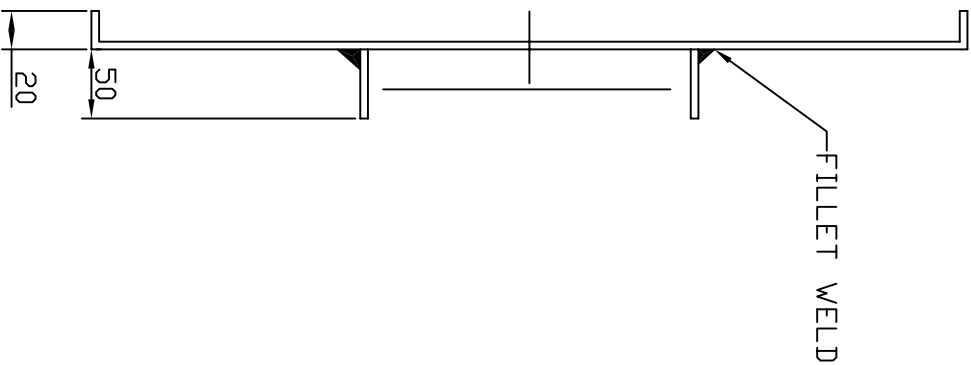
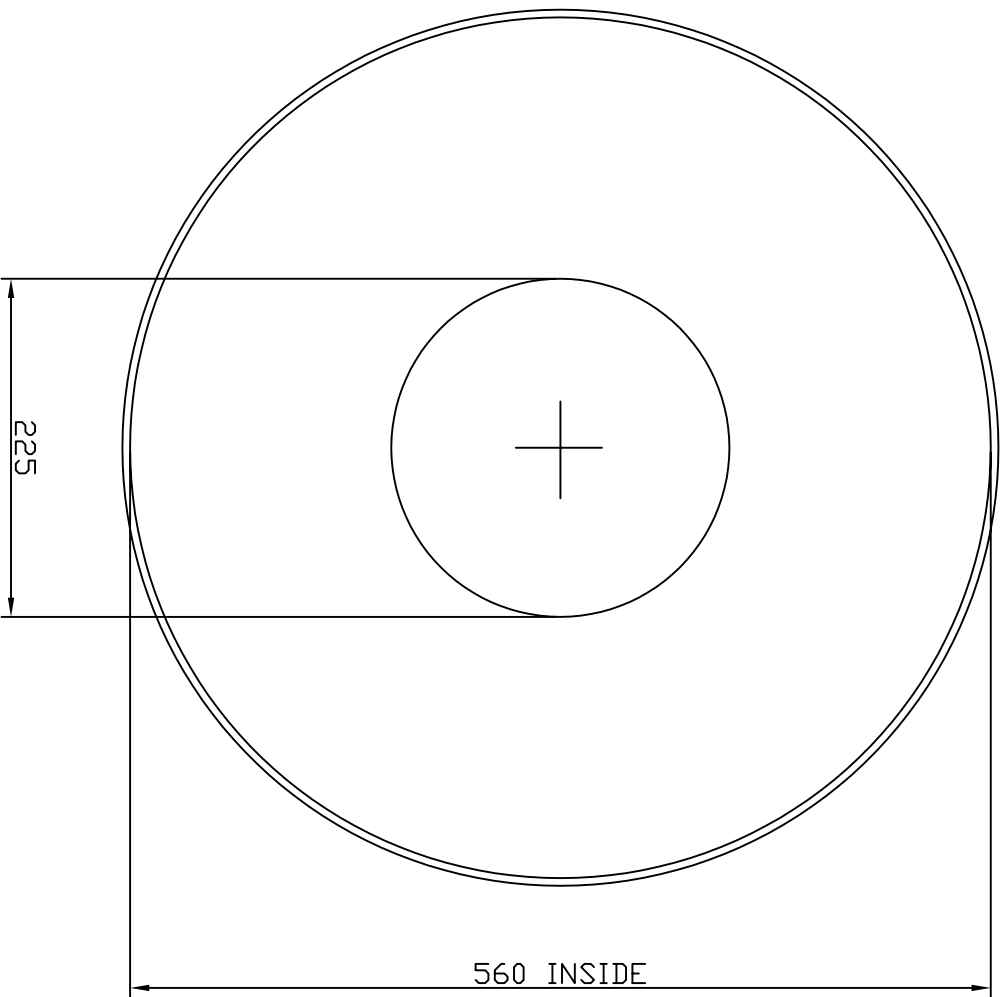
CHK  
-

DRAWING NO. TDB112



NDT TO  
SCALE

DD NDT SCALE



TOLERANCES  
UNLESS OTHERWISE  
STATED +/- 0.25

6 ADAPTOR- 1 OFF- 1 mm MILD STEEL PLATE

Practical Action <a href="http://www.practicalaction.org">www.practicalaction.org</a> info@practicalaction.org uk		TITLE		BATCH	TRAY	DRAWN	TRACE	CHK	NDT TO	
		DIMENSIONS IN MM		DRYER		A/R	-	-	SCALE	
No.	Description	CHK	AP'D	DATE						
REVISIONS										

1	CABINET SUB ASSY	TDB101	1			
1	CABINET SUB ASSY	TDB102				
1	CABINET SUB ASSY	TDB103				
1	CABINET SUB ASSY	TDB104				
1a	WOODEN FRAME		1	HARD WOOD		
1b	TEE HINGE		6		250 mm LONG	
1c	SLIDE BOLT		4		100 mm LONG	
2	AIR INLET SUB ASSY	TDB105	2			
2	AIR INLET SUB ASSY	TDB106				
2a	TOP & BOTTOM SECTION		4	18G 1mm MS PLATE		
2b	SIDE SECTION		4	18G 1mm MS PLATE		
2c	END PLATE		2	18G 1mm MS PLATE		
2d	CONNECTION SLEEVE		2	18G 1mm MS PLATE		
2e	FILLET		8	MILD STEEL		
3	AIR INLET SUB ASSY	TDB107	2			
3	AIR INLET SUB ASSY	TDB108				
3a	TOP & BOTTOM SECTION		4	18G 1mm MS PLATE		
3b	LHS SECTION		2	18G 1mm MS PLATE		
3c	RHS SECTION		2	18G 1mm MS PLATE		
3d	END PLATE		2	18G 1mm MS PLATE		
3e	FILLET		8	MILD STEEL		
4	Y CONNECTOR SUB ASSY	TDB109	1			
4	Y CONNECTOR SUB ASSY	TDB110				
4	Y CONNECTOR SUB ASSY	TDB111				
4a	TOP & BOTTOM PLATE		2	18G 1mm MS PLATE		
4b	OUTER SIDE PLATE		2	18G 1mm MS PLATE		
4c	INNER SIDE PLATE		2	18G 1mm MS PLATE		
4d	END PLATE		2	18G 1mm MS PLATE		
4e	CONNECTOR SLEEVE		1	18G 1mm MS PLATE		
4f	FILLET		4	MILD STEEL		
4g	FILLET		4	MILD STEEL		
4h	DAMPER		2	MILD STEEL		
4i	DAMPER HANDLE		2	MILD STEEL		
4j	DAMPER STOP		2	MILD STEEL		
4k	DAMPER SPRING		2	SPRING STEEL		
5	TRAY SUB ASSY	TDB112	28			
5a	FRAME		28	SOFT WOOD		
5b	MESH		28	CHCIKEN WIRE		
6	ADAPTOR	TDB113	1/2	18G 1mm MS PLATE		
ITEM	DESCRIPTION	PAGE NO	QTY	MATERIAL	COMMENTS	CHD

PARTS LIST

Practical Action <small>www.practicalaction.org infoserv@practicalaction.org.uk</small>	TITLE	BATCH TRAY DRYER	DRAWN	TRACE	CHK		NOT TO SCALE
			A.R	-	-		DRAWING No. TDB114