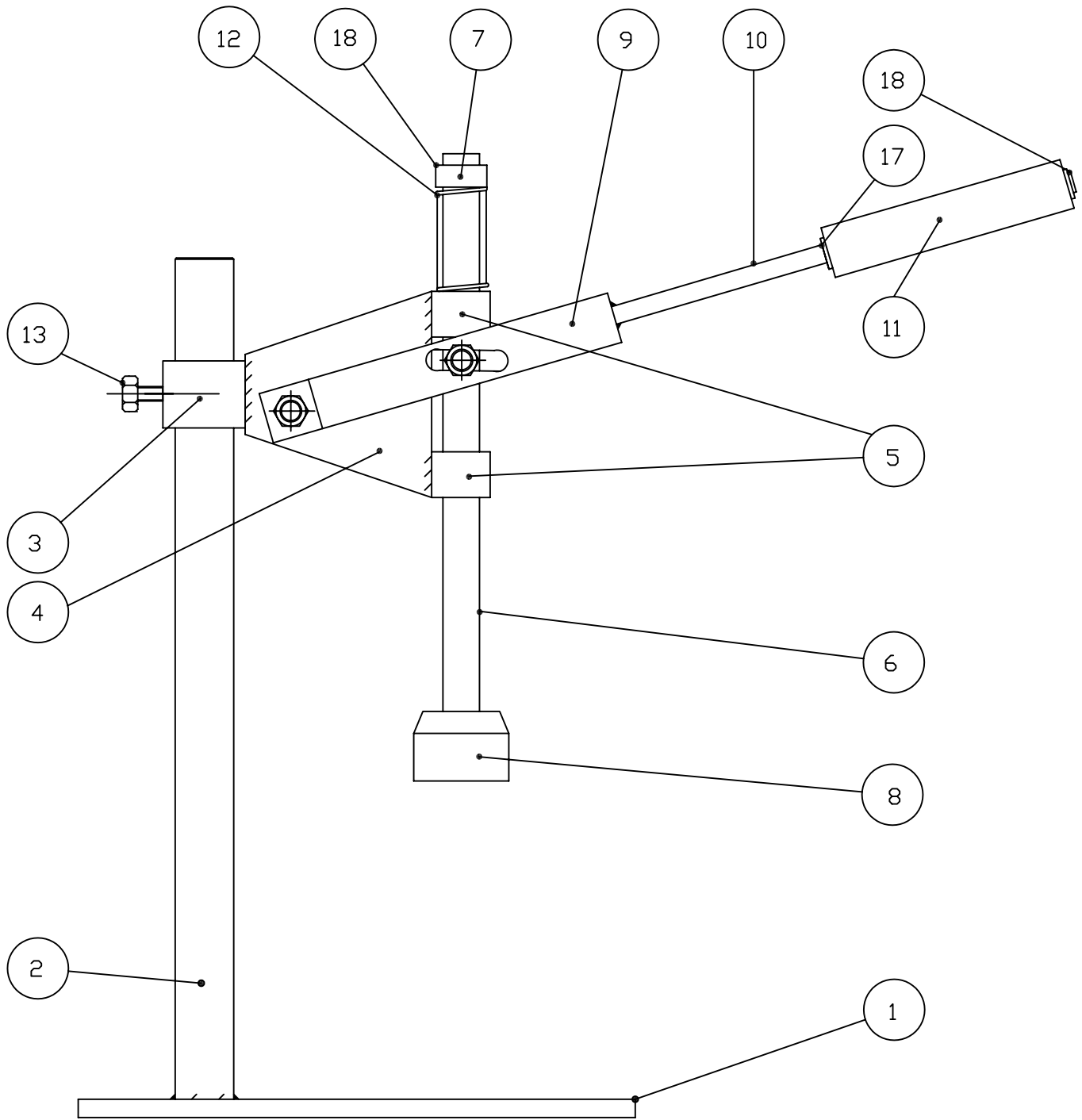


DO NOT SCALE

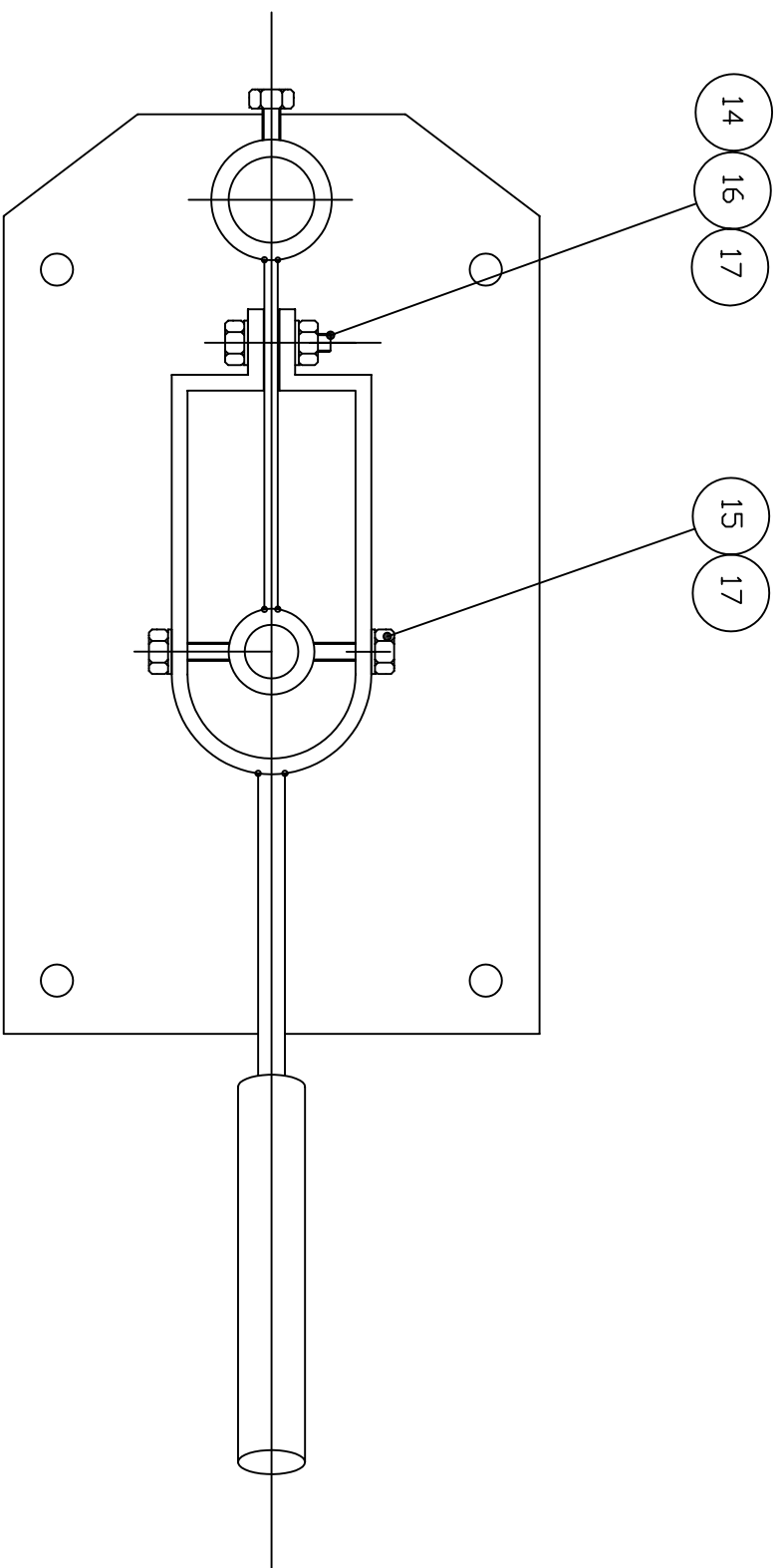


(SEE DRAWING CCM001-A FOR PLAN VIEW)

WELD AT 

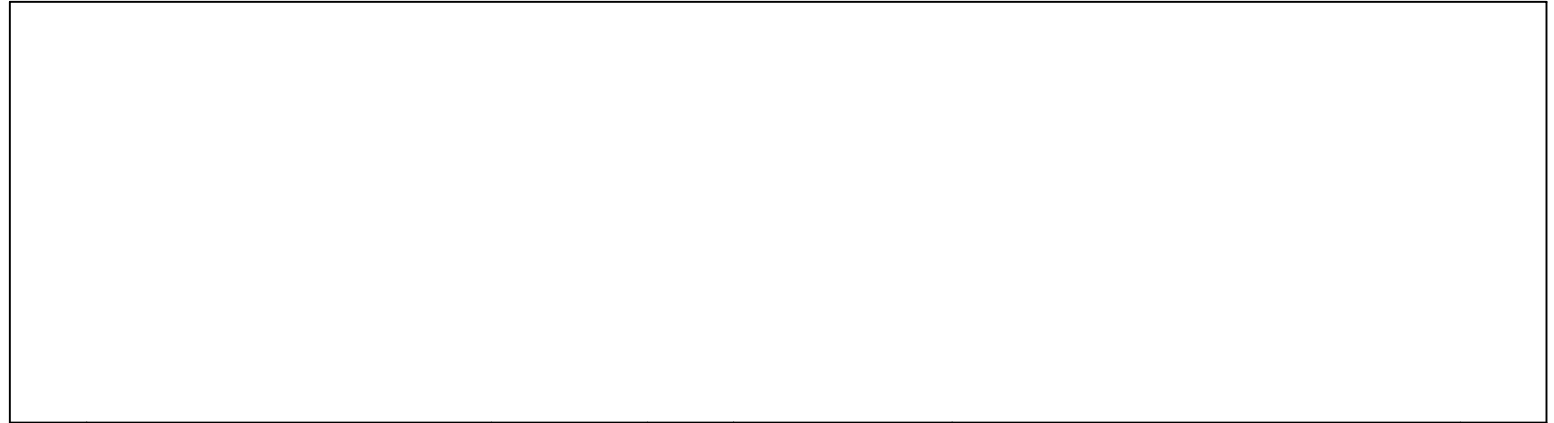
CCM001	SIDE ELEVATION	-	-	-
No.	Description	CHK	AP'D	DATE
REVISIONS				

DD NDT SCALE



<SEE CCM001 FOR SIDE ELEVATION>

CCM001a		Plan View	CHK	AP'D	DATE	Practical Action www.practicalaction.org info@practicalaction.org.uk		TITLE	CROWN CAP MACHINE	DRAWN A/R	TRACE	CHK	NOT TO SCALE	
REVISIONS		Description				DIMENSIONS IN MM		DRAWING No.	CCM001a					

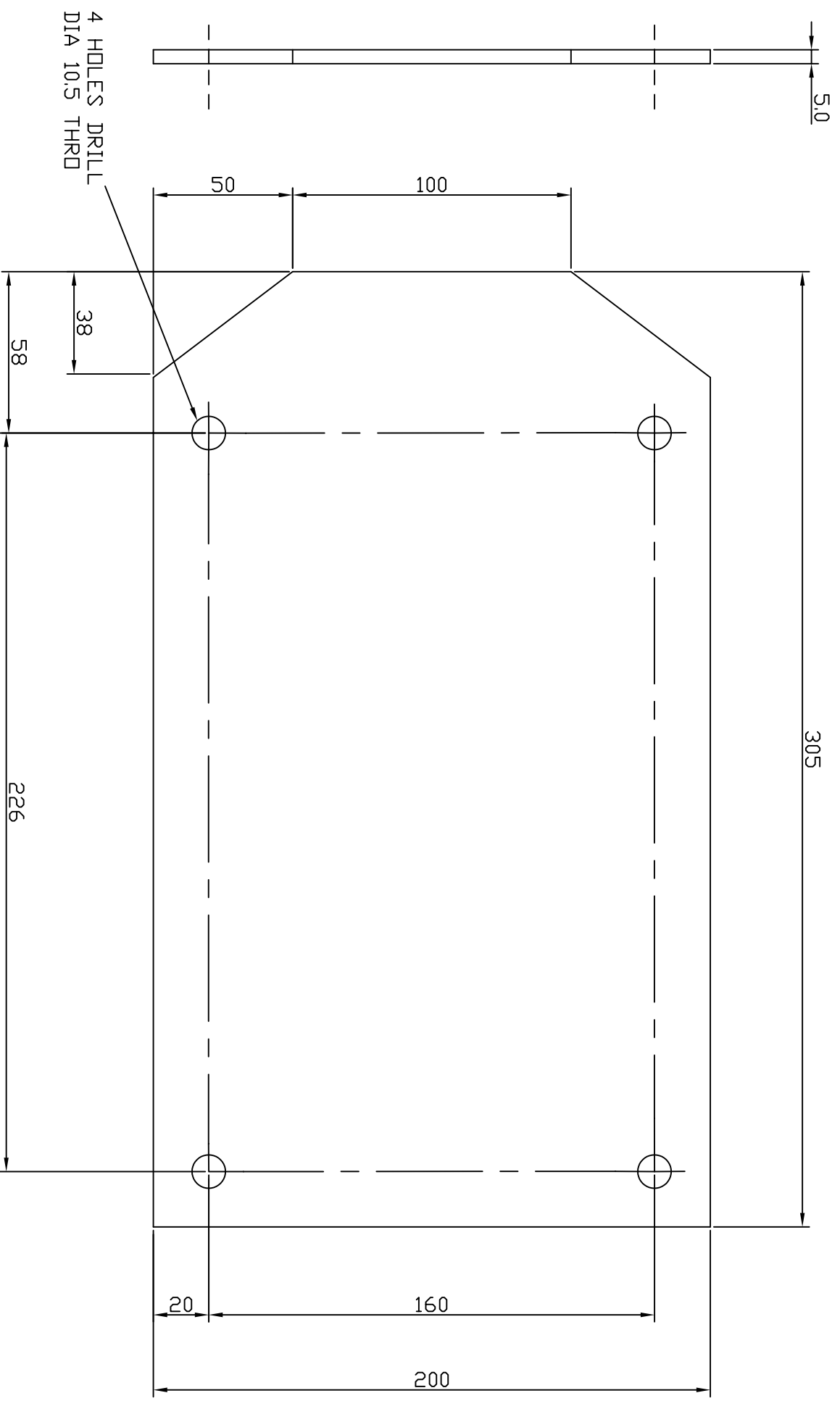


ITEM	DESCRIPTION	PAGE NO	QTY	MATERIAL	COMMENTS	CHD
18	SPLIT PIN		3		DIA3 × 20	
17	WASHER		6		TO SUIT M10 SCREW	
16	NUT		1		M10	
15	HEX BOLT		2		M10 X 50	
14	HEX BOLT		1		M10 X 40	
13	HEX BOLT		1		M10 X 20	
12	SPRING		1		DIA 20 - 1 X 76 LONG	
11	HANDLE	CCM111	1	HARD WOOD	DIA25 × 140	
10	LEVER	CCM110	1	MILD STEEL	DIA20 × 250 WELD TO ITEM 9	
9	HOLDER	CCM109	1	MILD STEEL	158.1 × 53.2 × 25	
8	CAP HOLDER	CCM108	1	MILD STEEL	DIA42 × 38	
7	STOP - FOR SHAFT	CCM107	1	MILD STEEL	DIA28 × 12 WELD TO ITEM 6	
6	SHAFT	CCM106	1	MILD STEEL	DIA20 × 305	
5	BUSH	CCM105	2	MILD STEEL	DIA32 × 25 WELD TO ITEM 4	
4	BRACKET	CCM104	1	MILD STEEL	114 × 192 × 5	
3	BUSH - FOR HEIGHT ADJ	CCM103	1	MILD STEEL	DIA45 × 38 WELD TO ITEM 4	
2	COLUMN	CCM102	1	MILD STEEL	DIA32 × 460 WELD TO ITEM 1	
1	BASE PLATE	CCM101	1	MILD STEEL	305 × 200 × 5	

PARTS LIST

<p>Practical Action</p> <p><a href="http://www.practicalaction.org">www.practicalaction.org</a> <a href="mailto:infoserv@practicalaction.org.uk">infoserv@practicalaction.org.uk</a></p>	TITLE	CROWN CAP MACHINE	DRAWN	A.R	TRACE	-	CHK	-		NOT TO SCALE
			DRAWING No. CCM001							

NDT TO SCALE - DD NDT SCALE

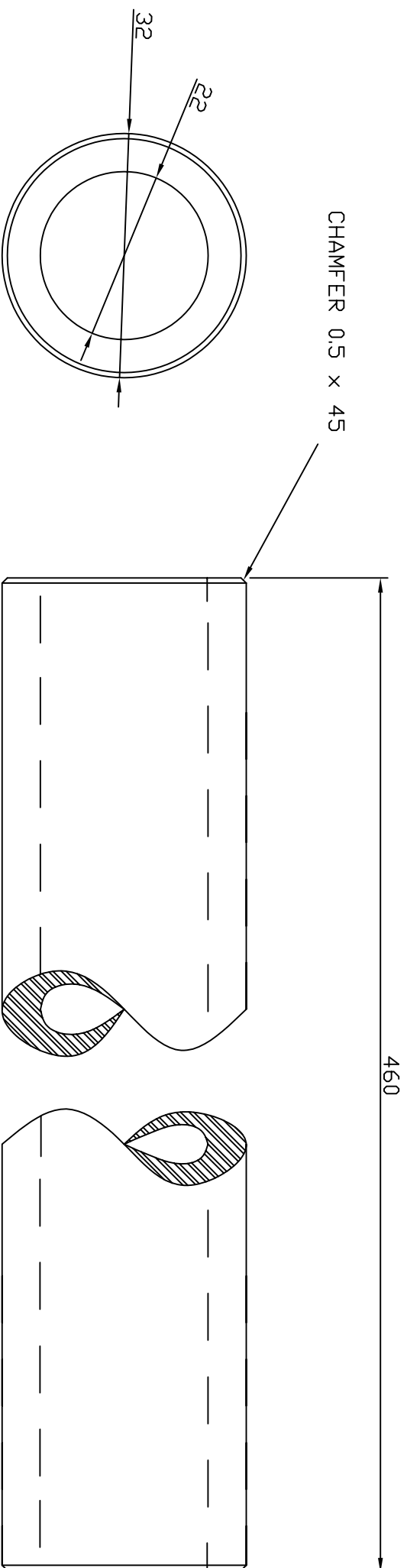


TOLERANCES  
UNLESS OTHERWISE  
STATED +/- 0.25

1 BASE PLATE - MILD STEEL - 1 DFF

No. REVISIONS		CHK	AP'D	DATE	Practical Action www.practicalaction.org info@practicalaction.org	TITLE	DRAWN	TRACE	CHK	NDT TO SCALE
Description						DIMENSIONS IN MM	A.R	-	-	

NDT TO SCALE - DD NDT SCALE



CHAMFER 0.5 x 45

460

32

22

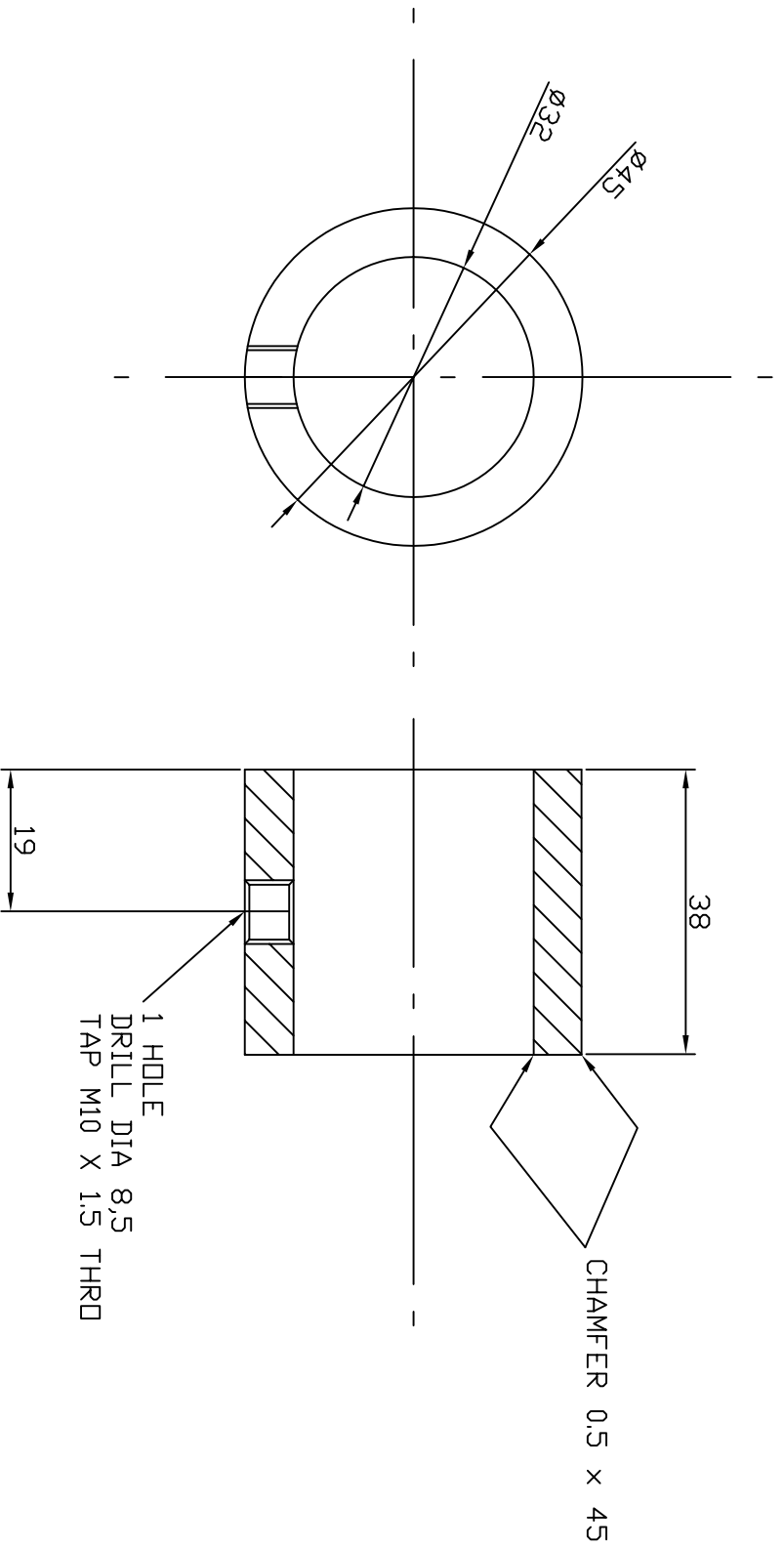
NOTE- USE MILD STEEL or GALVANISED  
PIPE WITH MIN WALL THICKNESS 2mm

TOLERANCES  
UNLESS OTHERWISE  
STATED +/- 0.25

② COLUMN - MILD STEEL - 1 DFF

No. REVISIONS		CHK	AP'D	DATE	Practical Action <a href="http://www.practicalaction.org">www.practicalaction.org</a> <a href="mailto:info@practicalaction.org">info@practicalaction.org</a>		TITLE		DRAWN		TRACE	CHK	NDT TO SCALE	
Description					CROWN CAP MACHINE		DIMENSIONS IN MM		A.R	-	-	-	DRAWING No. CCM201	

NDT TO SCALE - DD NDT SCALE



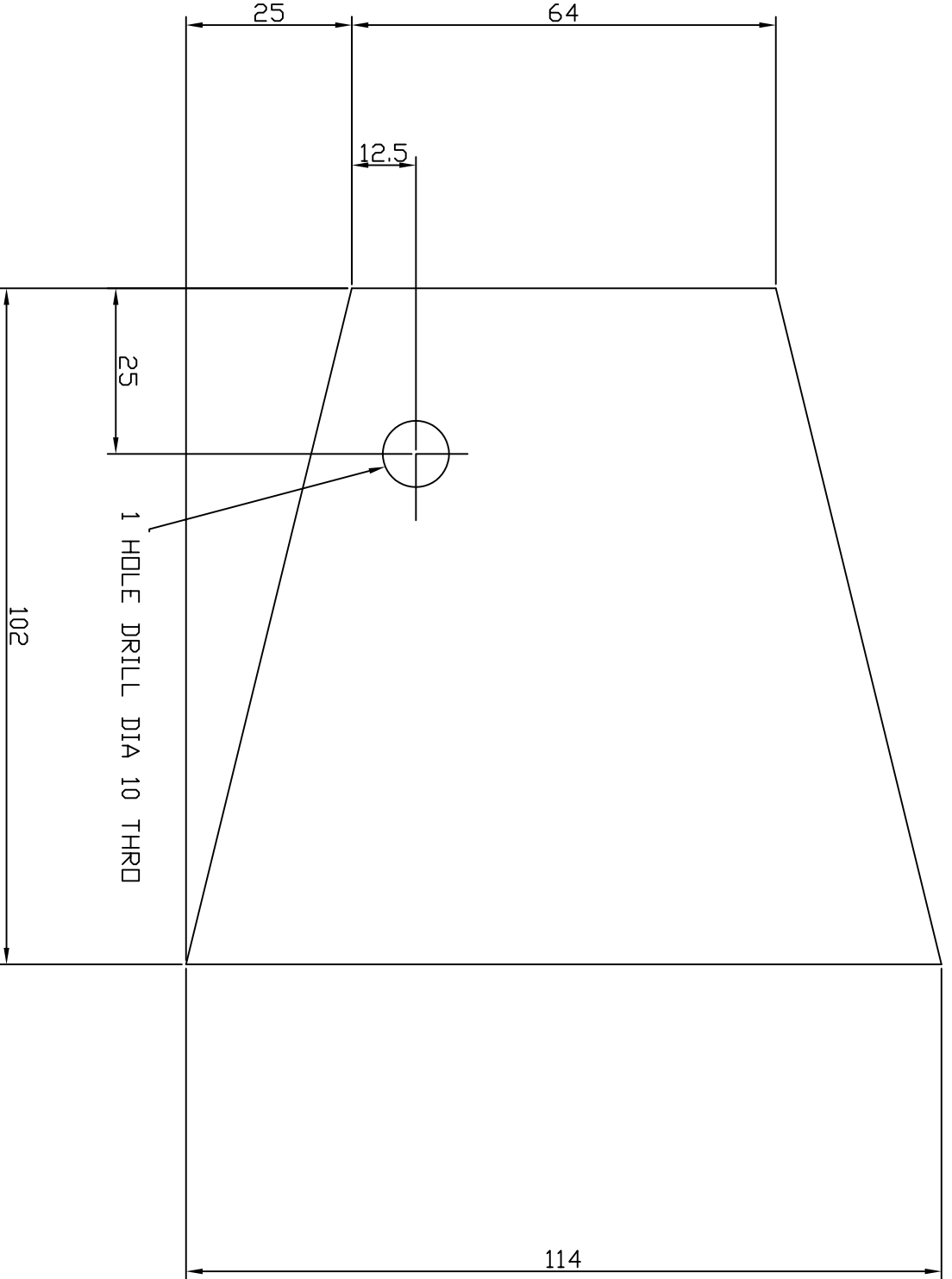
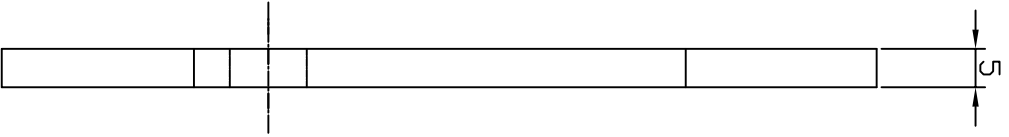
TOLERANCES  
UNLESS OTHERWISE  
STATED +/- 0,25

3 BUSH FOR HEIGHT ADJUSTMENT - MILD  
STEEL - 1 DFF

No.				
REVISIONS	Description	CHK	AP'D	DATE

Practical Action www.practicalaction.org info@practicalaction.org.uk		TITLE		DRAWN		TRACE		CHK		NDT TO SCALE	
		CROWN CAP MACHINE		A.R		-		-			
		DIMENSIONS IN MM		DRAWING No. CCM203							

NDT TO SCALE - DD NDT SCALE

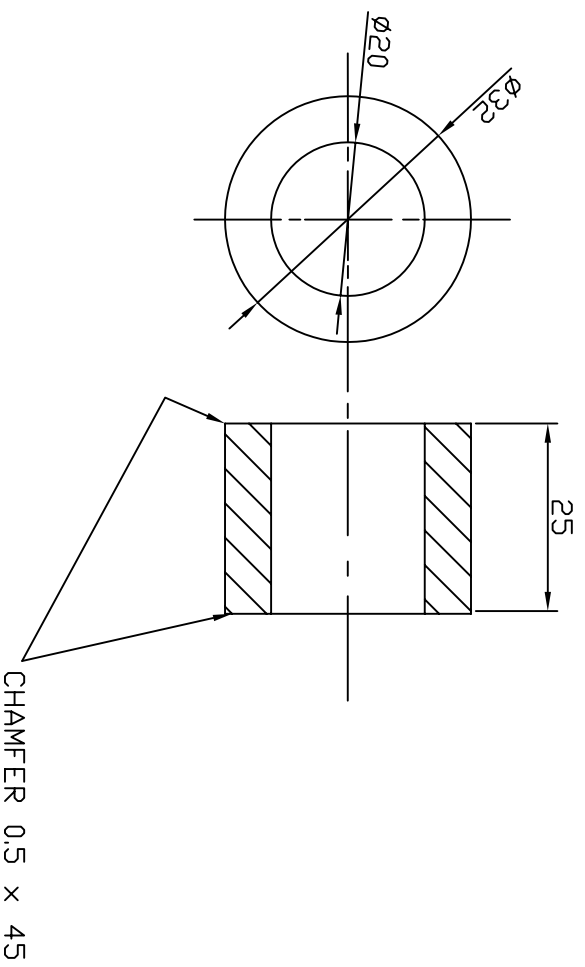


TOLERANCES  
UNLESS OTHERWISE  
STATED +/- 0.25

4 BRACKET - MILD STEEL - 1 DFF

No. REVISIONS		Description		CHK	AP'D	DATE	Practical Action www.practicalaction.org info@practicalaction.org		TITLE	CROWN CAP MACHINE	DRAWN A/R	TRACE	CHK	DRAWING NO. CCM204	NDT TO SCALE
									DIMENSIONS IN MM						

NDT TO SCALE - DD NDT SCALE



TOLERANCES  
UNLESS OTHERWISE  
STATED +/- 0.25

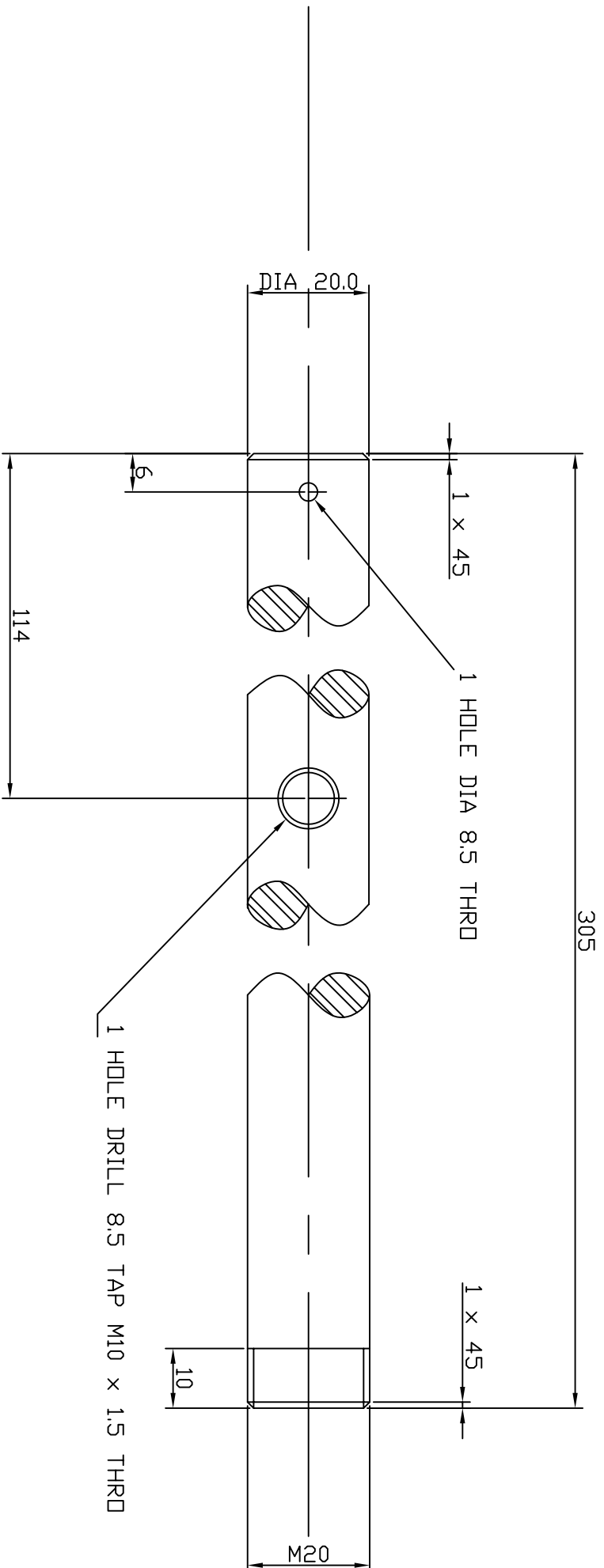
5 BUSH - MILD STEEL - 2 DFF

No.	Description	CHK	AP'D	DATE
REVISIONS				

Practical Action www.practicalaction.org info@practicalaction.org.uk	TITLE	CROWN CAP MACHINE	DRAWN A.R	TRACE -	CHK -	DRAWING No. CCM205	NDT TO SCALE
	DIMENSIONS IN MM						



NDT TO SCALE - DD NDT SCALE

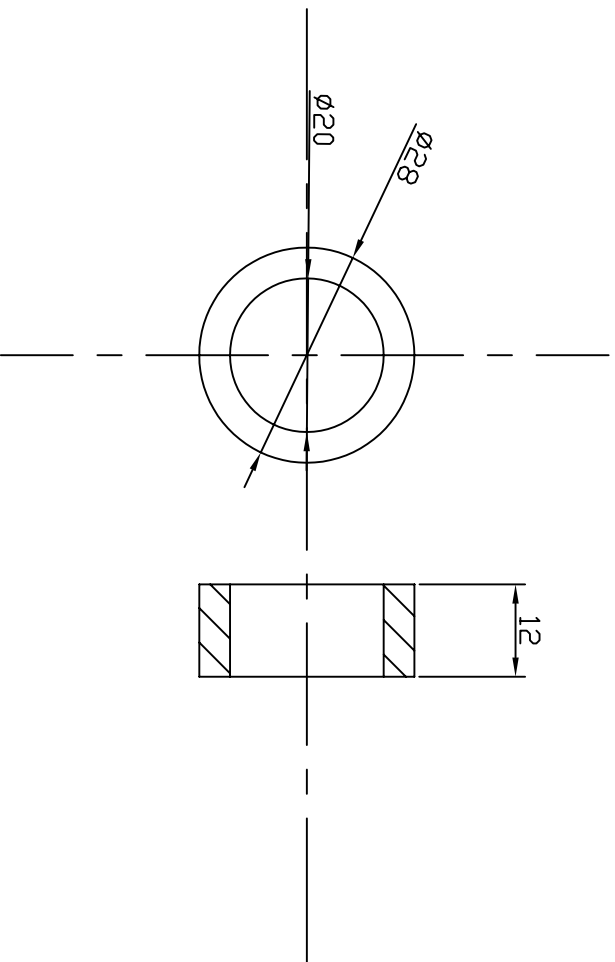


TOLERANCES  
UNLESS OTHERWISE  
STATED +/- 0.25

6 SHAFT - MILD STEEL - 1 DFF

No.		Description		CHK	AP'D	DATE	Practical Action www.practicalaction.org info@practicalaction.org.uk	TITLE	CROWN CAP MACHINE	DRAWN A.R	TRACE -	CHK -	DRAWING No. CCM206	NDT TO SCALE
REVISIONS								DIMENSIONS IN MM						

NOT TO SCALE - DO NOT SCALE



TOLERANCES  
UNLESS OTHERWISE  
STATED +/- 0.25

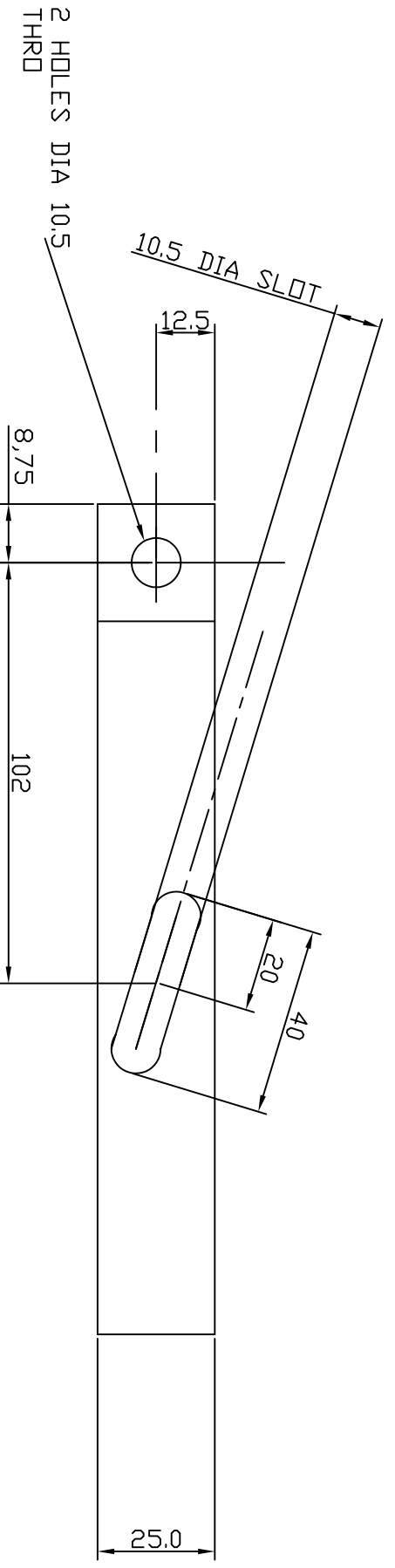
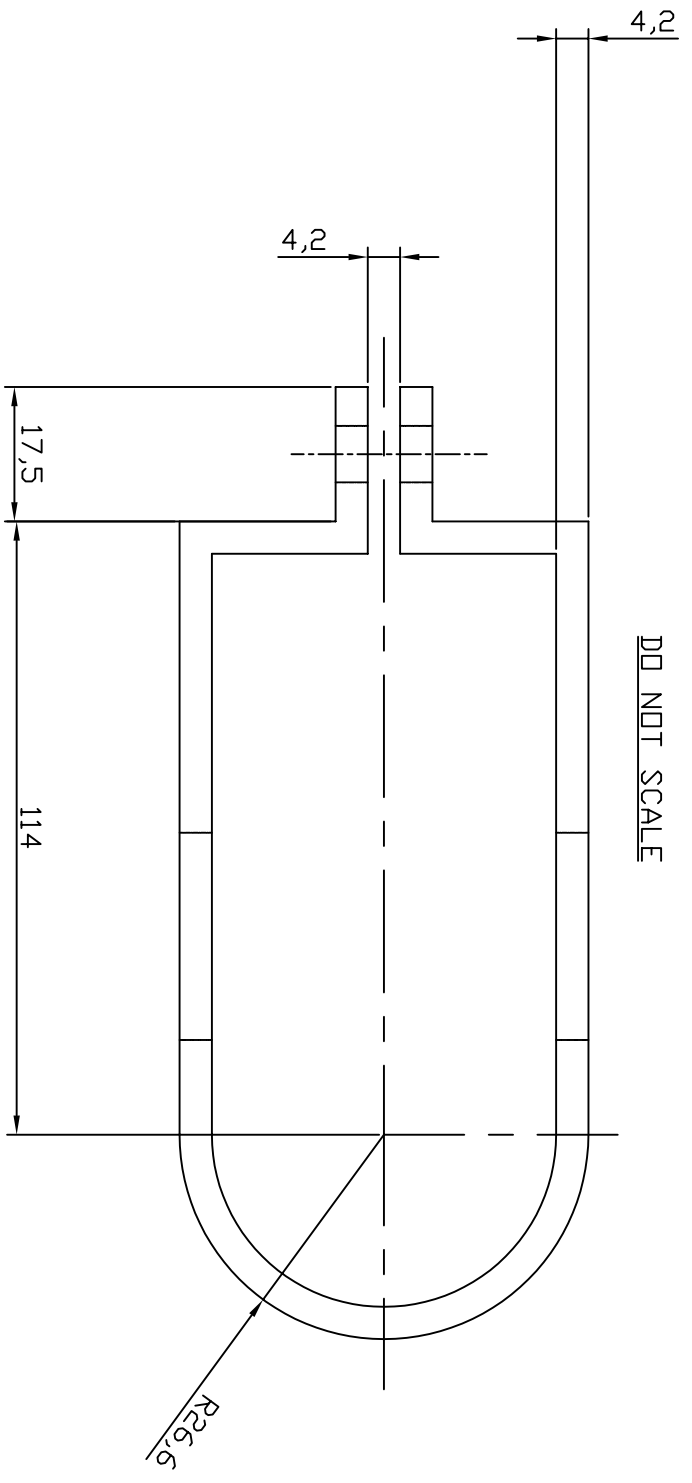
7 STOP - MILD STEEL - 1 DFF

No.				
REVISIONS	Description	CHK	AP'D	DATE

Practical Action <a href="http://www.practicalaction.org">www.practicalaction.org</a> <a href="mailto:info@practicalaction.org">info@practicalaction.org</a>		TITLE	CROWN CAP MACHINE	DRAWN A.R	TRACE -	CHK -			NOT TO SCALE
		DIMENSIONS IN MM		DRAWING No. CCM207					





DD NOT SCALE

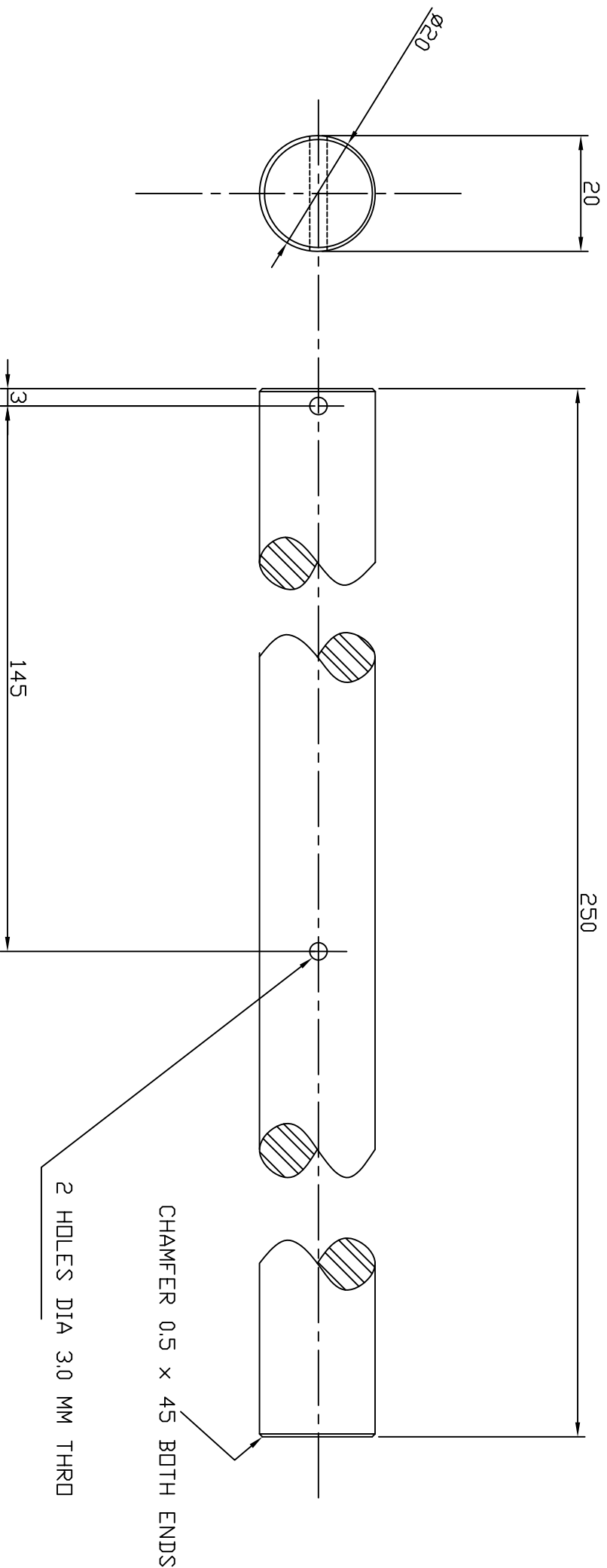


TOLERANCES  
UNLESS OTHERWISE  
STATED +/- 0.25

9 HOLDER -  
MILD STEEL  
- 1 OFF

No. REVISIONS		CHK	AP'D	DATE	Practical Action www.practicalaction.org info@practicalaction.org.uk	TITLE CROWN CAP MACHINE DIMENSIONS IN MM	DRAWN A/R	TRACE -	CHK -	 	NDT TO SCALE
Description											

NDT TO SCALE - DD NDT SCALE



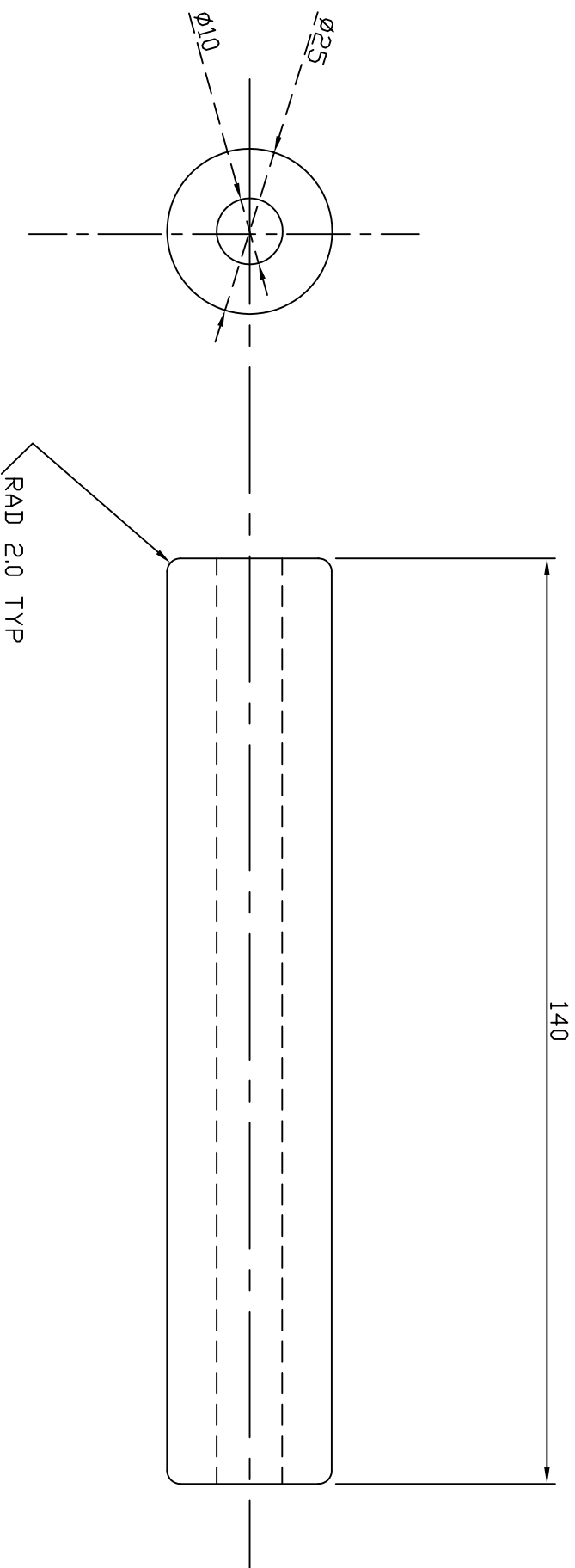
TOLERANCES  
UNLESS OTHERWISE  
STATED +/- 0.25

10 LEVER - MILD STEEL - 1 DFF

CHAMFER 0.5 x 45 BOTH ENDS  
2 HOLES DIA 3.0 MM THRD

TOLERANCES UNLESS OTHERWISE STATED +/- 0.25		10 LEVER - MILD STEEL - 1 DFF						
Practical Action <a href="http://www.practicalaction.org">www.practicalaction.org</a> <a href="mailto:info@practicalaction.org">info@practicalaction.org</a>		TITLE	CROWN CAP MACHINE	DRAWN	TRACE	CHK	NDT TO SCALE	
Description		DIMENSIONS IN MM		A.R	-	-	DRAWING No. CCM210	
No.	CHK	AP'D	DATE					
REVISIONS								

NOT TO SCALE



TOLERANCES  
UNLESS OTHERWISE  
STATED +/- 0.25

11

HANDLE - HARD WOOD - 1 OFF

No. REVISIONS			Description			CHK	AP'D	DATE	Practical Action <a href="http://www.practicalaction.org">www.practicalaction.org</a> <a href="mailto:info@practicalaction.org">info@practicalaction.org</a>											
TITLE			CROWN CAP MACHINE			DRAWN A.R			TRACE -			CHK -			DRAWING No. CCM211			NDT TO SCALE		
DIMENSIONS IN MM																				