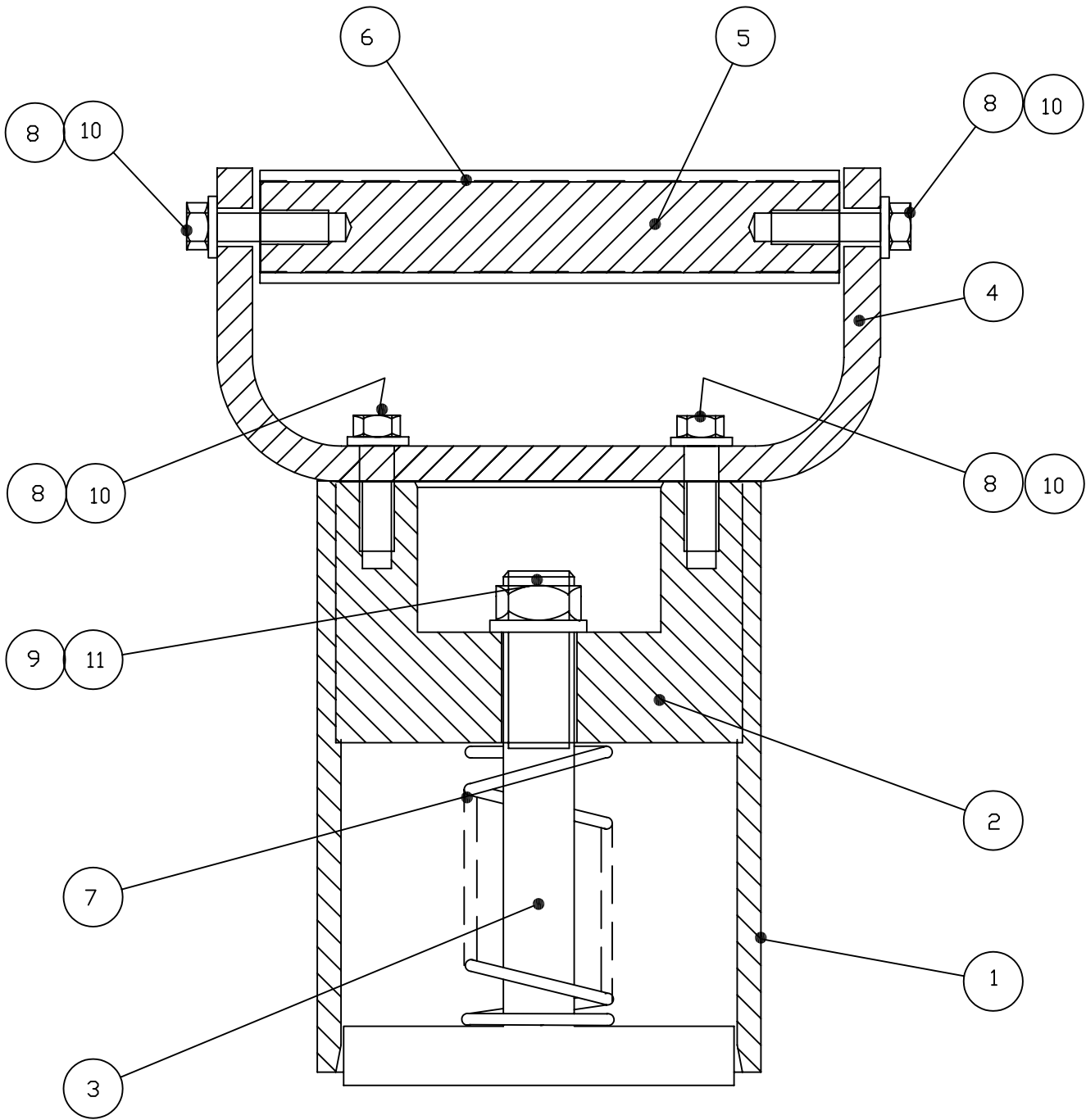


DO NOT SCALE

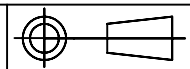


JJS001	Sectional Elevation	-	-	-
No.	Description	CHK	AP'D	DATE
REVISIONS				

Practical
Action
www.practicalaction.org
infoserv@practicalaction.org.uk

TITLE JAM JAR
SEALER

DRAWN A.R
TRACE -
CHK -



NOT TO
SCALE

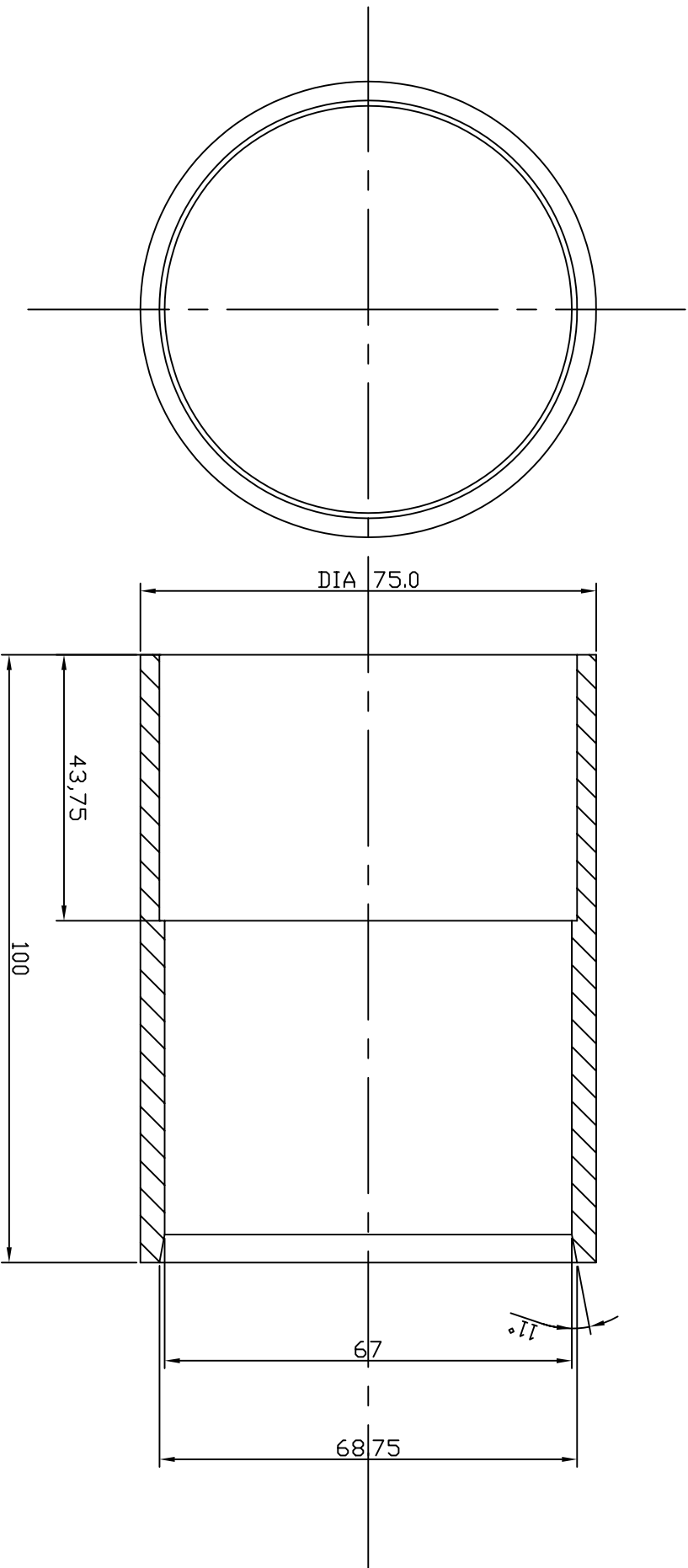
DRAWING No. JJS-001

ITEM	DESCRIPTION	PART NUMBER	QUANTITY	COMMENTS	CHECKED
1	CYLINDER	JJS101	1	Use PVC tube if available	
2	INSERT - FOR CYLINDER	JJS102	1	Press fit into cylinder JBS101	
3	PLUNGER	JJS103	1		
4	HANDLE FRAME	JJS104	1		
5	HANDLE	JJS105	1		
6	COVER - FOR HANDLE	JJS106	1	Sliding fit onto handle JJS105	
7	SPRING - FOR PLUNGER	JJS107	1	Use ready made if available	
8	HEX BOLT	1/4 BSW x 5/8 LONG	4	For JJS102 & JJS105	
9	HEX NUT	1/2 BSW x 3/4 THICK	1	For JJS103	
10	WASHER	1/4 DIA	4	For 1/4 BSW Hex Bolt	
11	WASHER	1/2 DIA	1	For 1/2 BSW Hex Bolt	

Practical
Action

JAM JAR SEALER

DD NOT SCALE



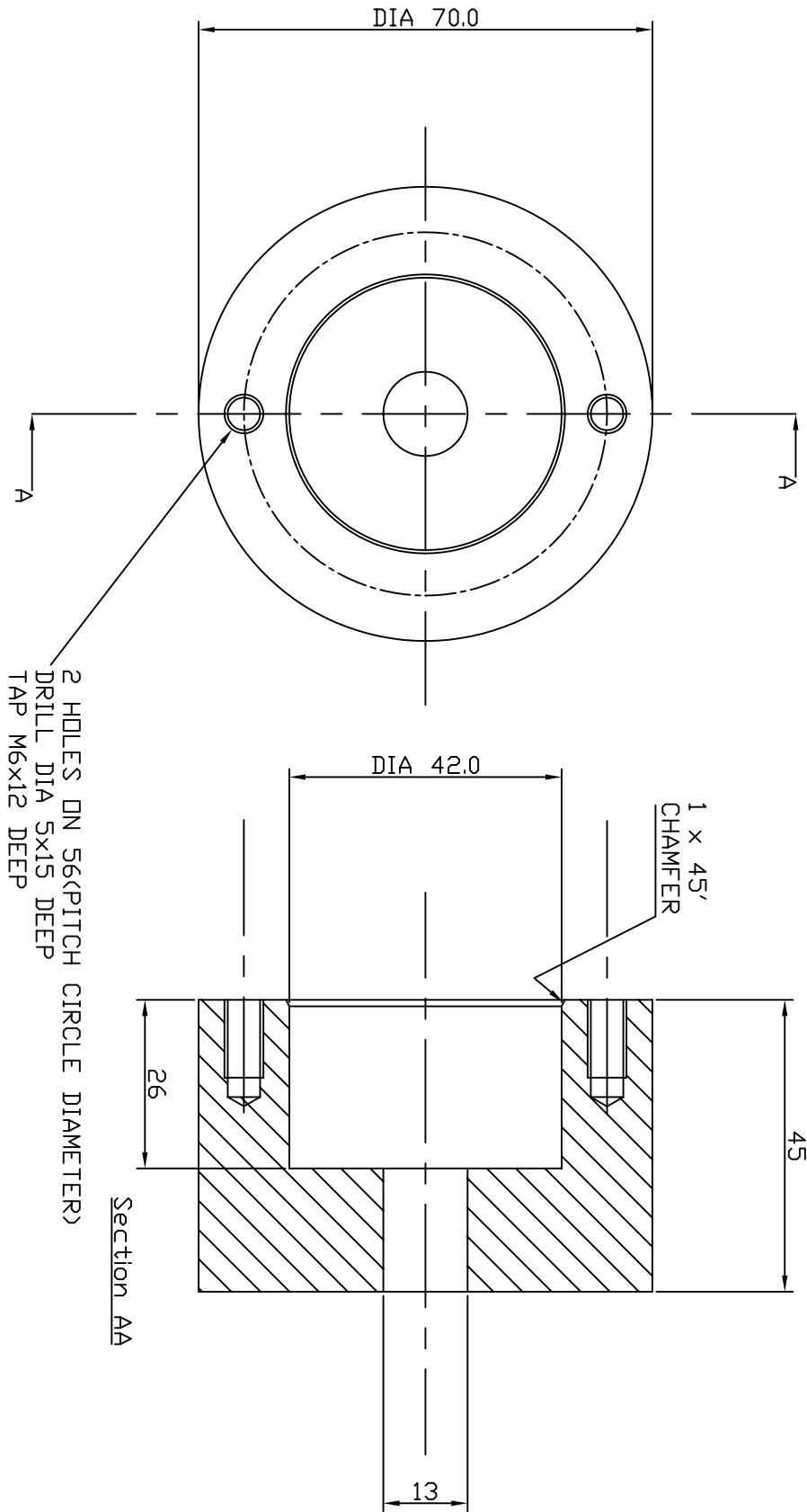
TOLERANCES
UNLESS OTHERWISE
STATED +/- 0.25

1 CYLINDER - MILD STEEL - 1 DFF

No.		CHK	AP'D	DATE
REVISIONS	Description			

Practical Action www.practicalaction.org info@practicalaction.org.uk	TITLE JAM JAR SEALER	DRAWN A/R	TRACE -	CHK -	DRAWING No. JJS - 101	NOT TO SCALE
	DIMENSIONS IN MM					

DD NOT SCALE



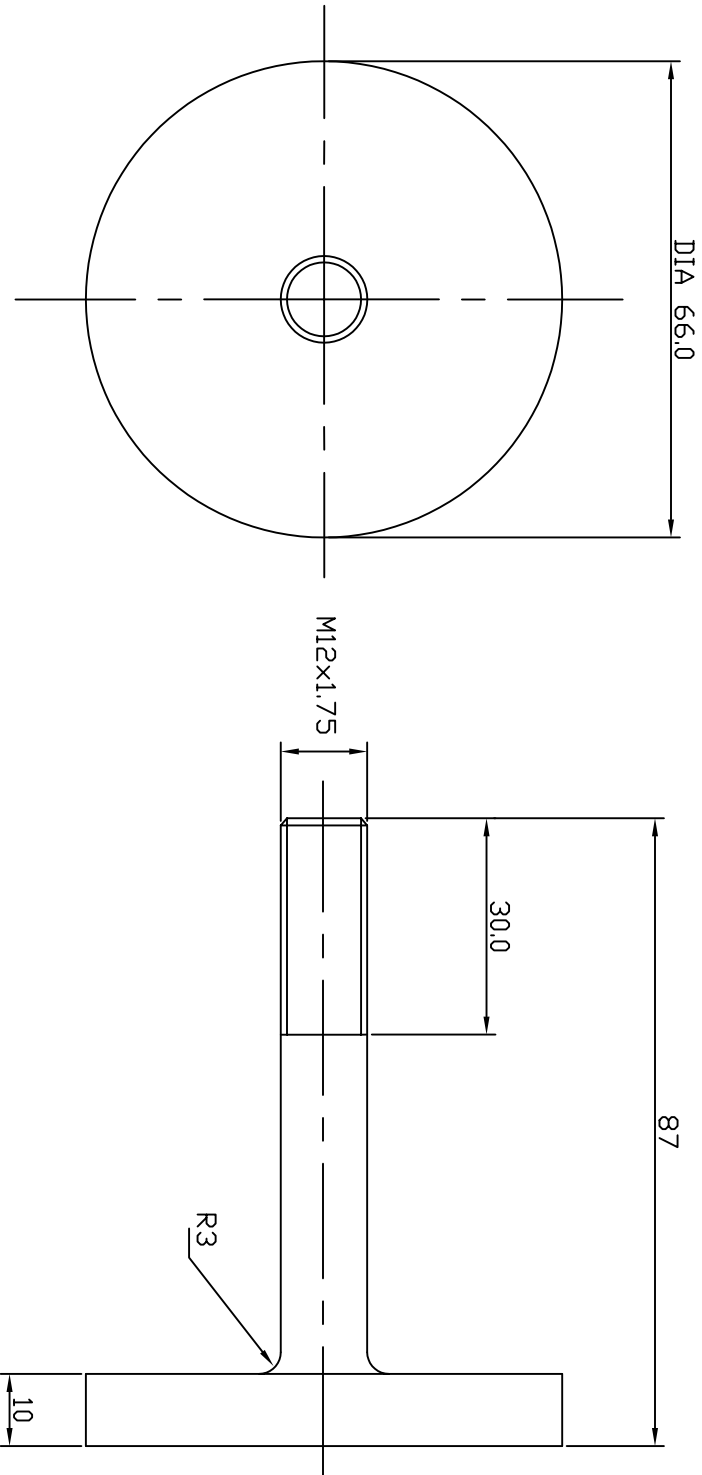
TOLERANCES
 UNLESS OTHERWISE
 STATED +/- 0.25

② INSERT FOR CYLINDER - MILD STEEL -
 1 OFF

No.				
REVISIONS	Description	CHK	AP'D	DATE

Practical Action	TITLE JAM JAR SEALER	DRAWN A/R	TRACE	CHK	NDT TO SCALE
www.practicalaction.org info@practicalaction.org.uk	DIMENSIONS IN MM	DRAWING No. JJS-102			

DD NDT SCALE

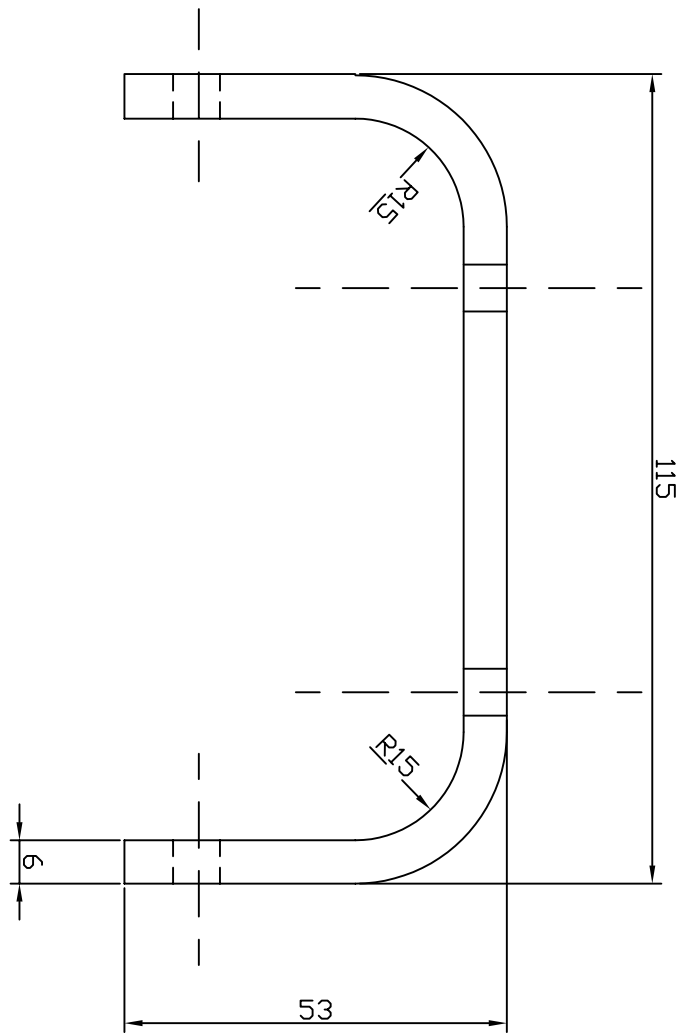
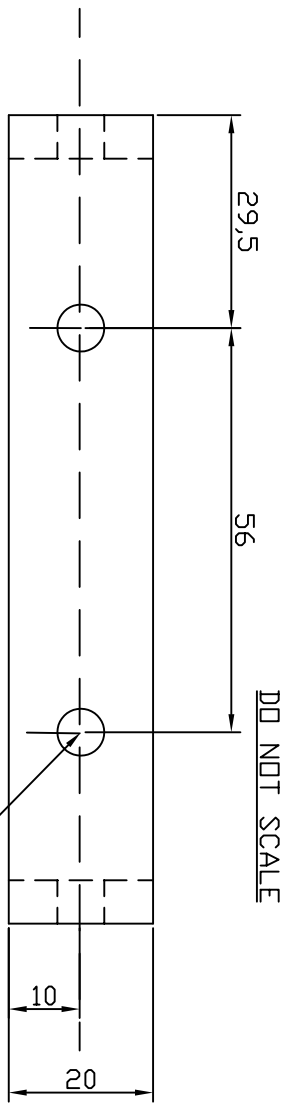


TOLERANCES
UNLESS OTHERWISE
STATED +/- 0.25

03 PLUNGER - MILD STEEL - 1 DFF

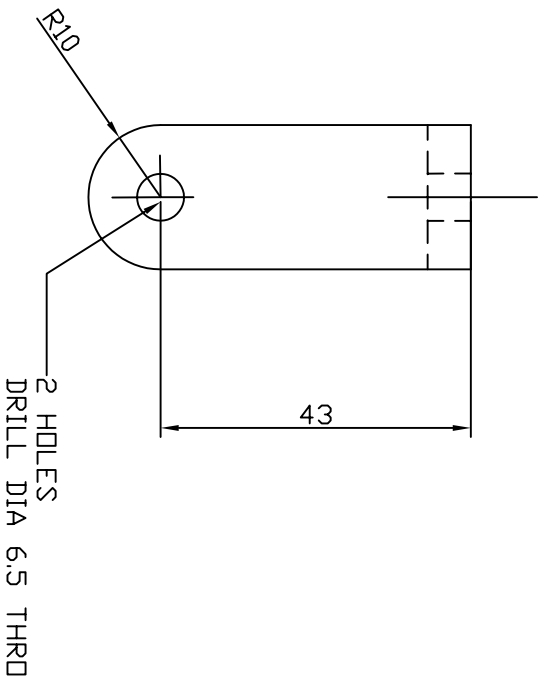
No.		CHK	AP'D	DATE
REVISIONS	Description			

Practical Action www.practicalaction.org info@practicalaction.org	TITLE JAM JAR SEALER	DRAWN A/R	TRACE -	CHK -	NDT TO SCALE
	DIMENSIONS IN MM				DRAWING No. JJS-103



TOLERANCES
UNLESS OTHERWISE
STATED $\pm 0,25$

04 HANDLE FRAME - MILD STEEL - 1 OFF

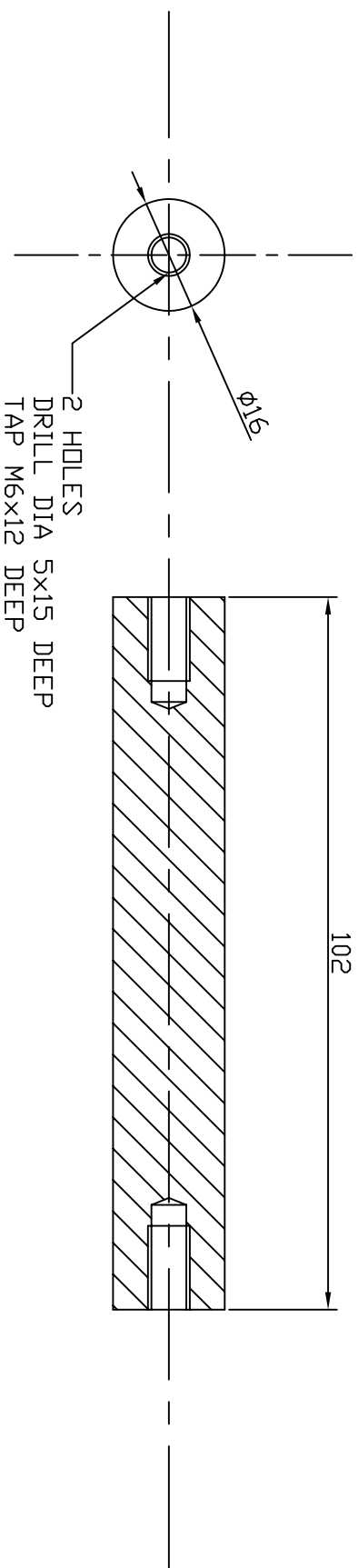


No.				
REVISIONS	Description	CHK	AP'D	DATE

Practical Action	TITLE JAM JAR SEALER	DIMENSIONS IN MM
------------------	----------------------	------------------

Practical Action	DRAWN A/R	TRACE	CHK	NDT TO SCALE
Info: practicalaction.org	DRAWING No. JJS-104			

DD NDT SCALE

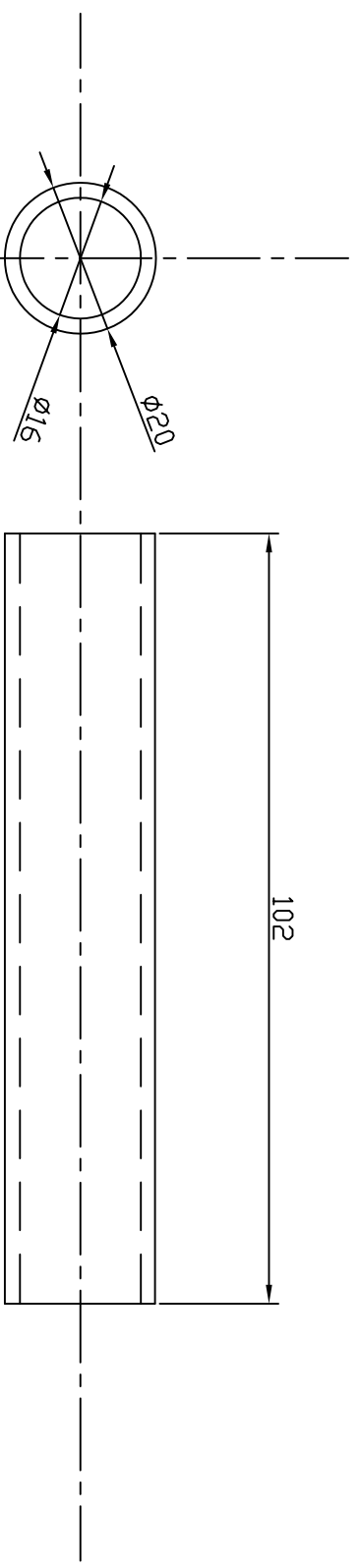


TOLERANCES
UNLESS OTHERWISE
STATED +/- 0.25

05 HANDLE - MILD STEEL - 1 DFF

Practical Action www.practicalaction.org info@practicalaction.org		TITLE JAM JAR SEALER		DRAWN A.R		TRACE -		CHK -		NDT TO SCALE	
DIMENSIONS IN MM											
TOLERANCES UNLESS OTHERWISE STATED +/- 0.25											
Practical Action www.practicalaction.org info@practicalaction.org		TITLE JAM JAR SEALER		DRAWN A.R		TRACE -		CHK -		NDT TO SCALE	
DIMENSIONS IN MM											
TOLERANCES UNLESS OTHERWISE STATED +/- 0.25											
No. REVISIONS	Description	CHK	AP'D	DATE							

DD NDT SCALE

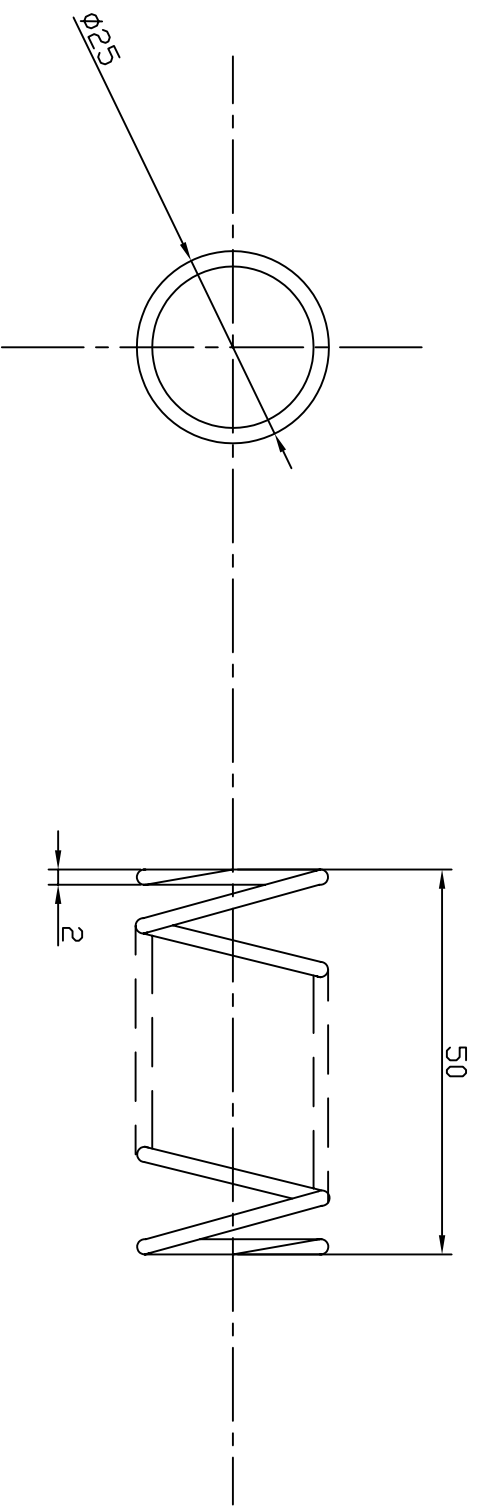


TOLERANCES
UNLESS OTHERWISE
STATED +/- 0.25

06 HANDLE COVER - PVC TUBE - 1 DFF

No.		Description		CHK	AP'D	DATE	Practical Action www.practicalaction.org info@practicalaction.org	TITLE JAM JAR SEALER DIMENSIONS IN MM	DRAWN A.R TRACE - CHK -	JSS-106	
REVISIONS											

DD NDT SCALE



NOTES
 1. No. active coils - 6
 2. Spiral - left or right

TOLERANCES
 UNLESS OTHERWISE
 STATED +/- 0.25

07 SPRING FOR PLUNGER - SPRING STEEL - 1 DFF

Practical Action www.practicalaction.org info@practicalaction.org.uk		TITLE JAM JAR SEALER		DRAWN A.R	TRACE -	CHK -		NDT TO SCALE
TOLERANCES UNLESS OTHERWISE STATED +/- 0.25		DIMENSIONS IN MM		DRAWING NO. JJS-107				
No. REVISIONS	Description	CHK	AP'D	DATE				