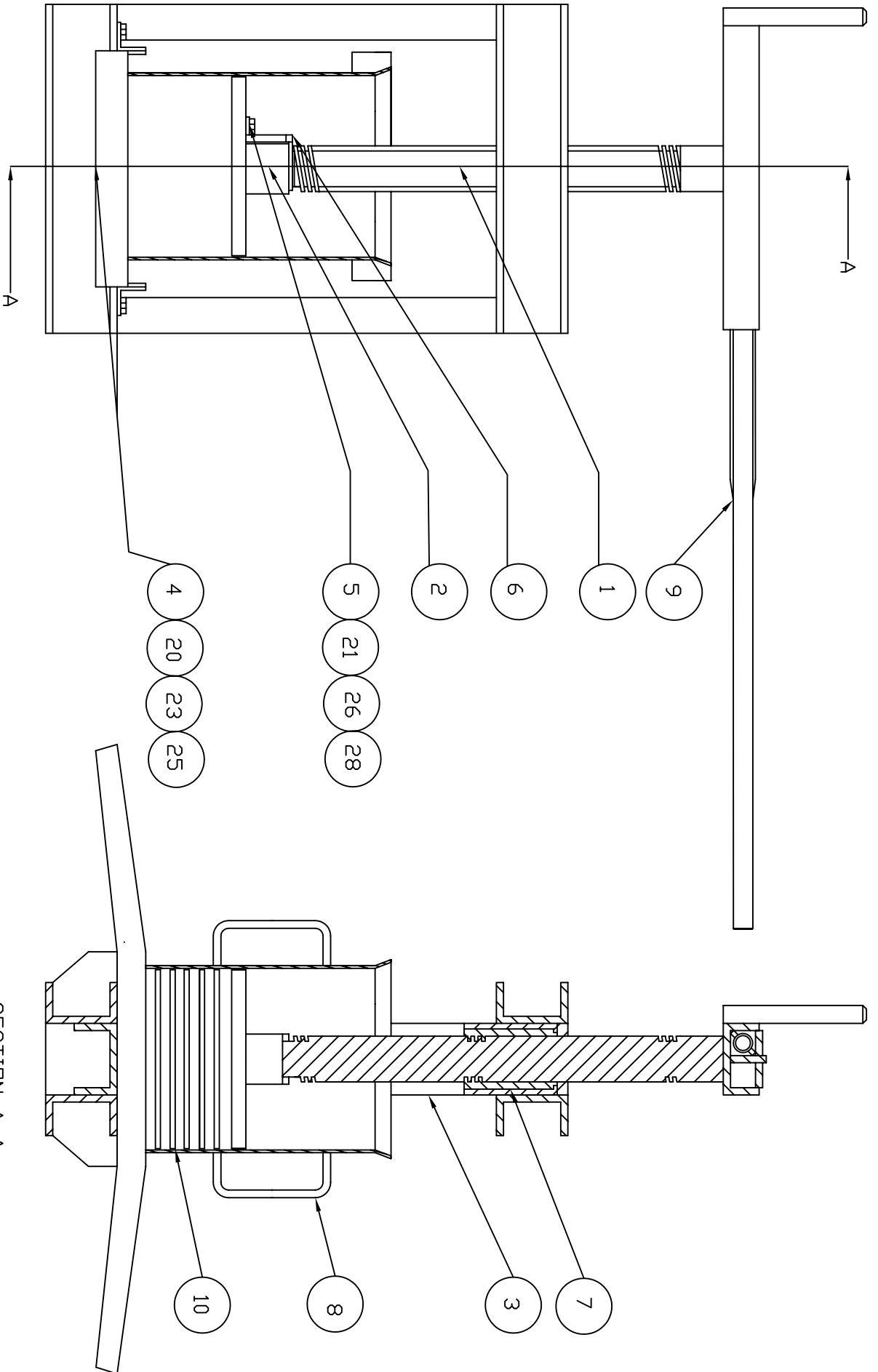


DD NDT SCALE

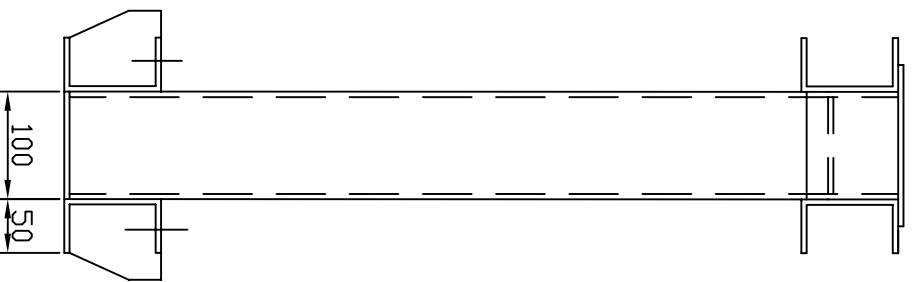
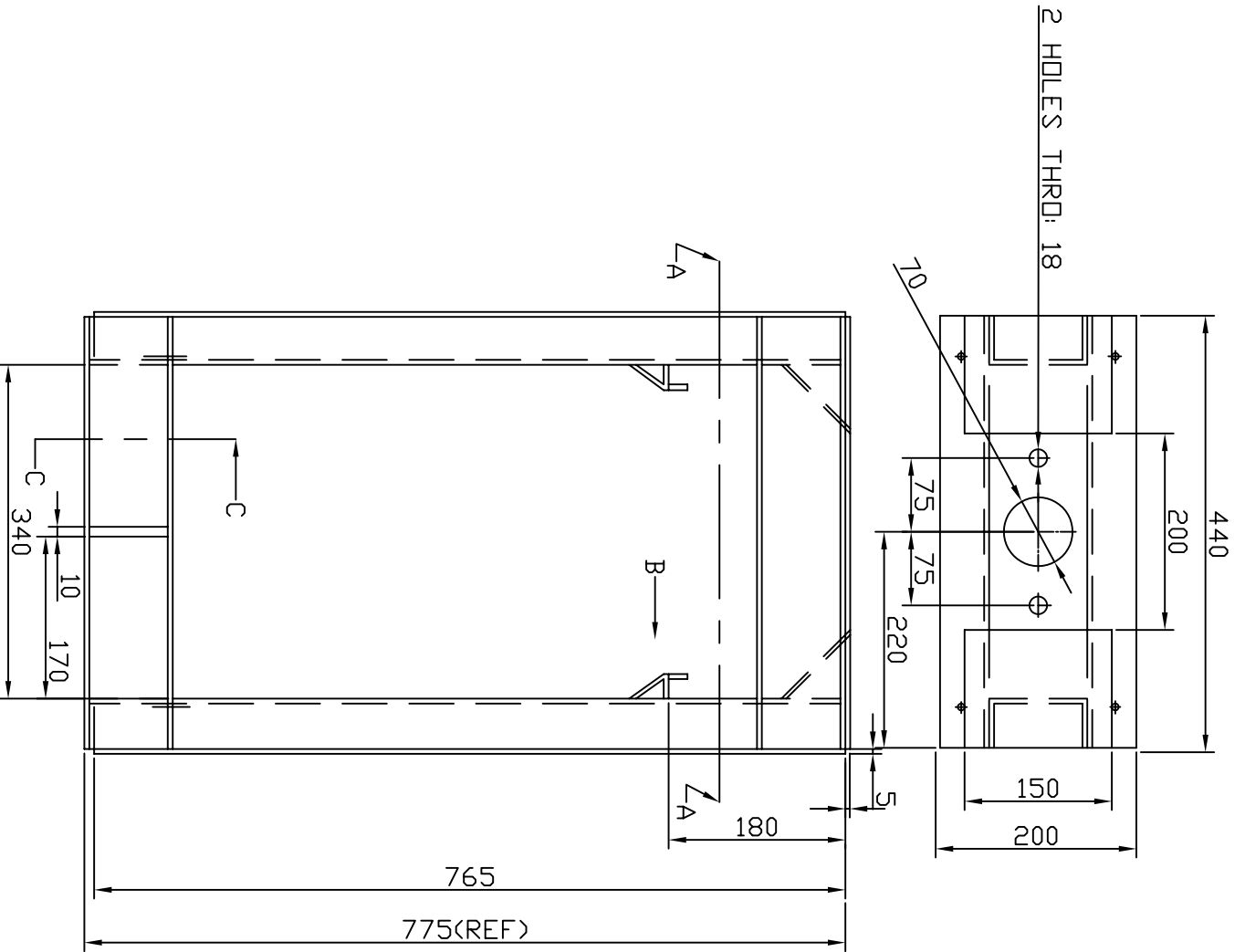


No.				
REVISIONS	Description	CHK	AP'D	DATE

Practical Action		TITLE	DRAWN	TRACE	CHK	NDT TO SCALE
		MANUAL SCREW PRESS	A.R	-	-	
MATERIAL -			DRAWING No.			
			MSP001			

DO NOT SCALE

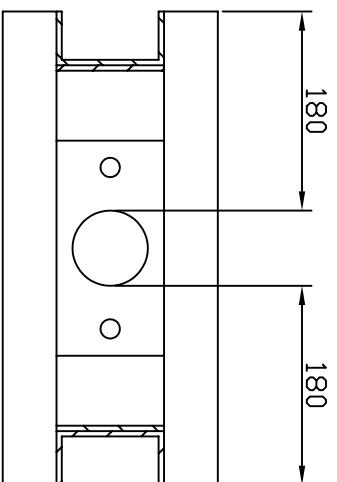
NOTE: FULLY WELDED CONSTRUCTION UNLESS OTHERWISE STATED



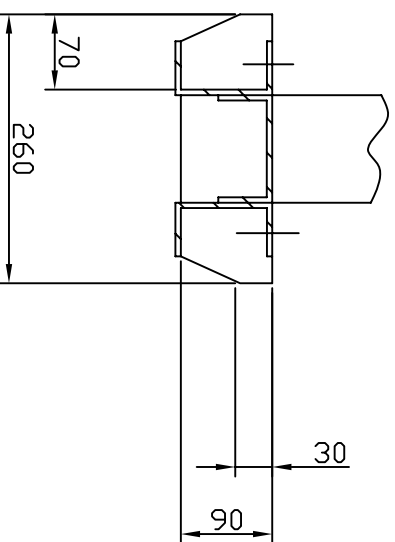
3 MAIN FRAME
(DETAILS)

No.	Description	CHK	AP'D	DATE	Practical Action	TITLE	MATERIAL	DRAWN	TRACE	CHK	DRAWING No.	DD NOT SCALE
						MANUAL SCREW PRESS	MILD STEEL	A.R	-	-	MSP101a	
REVISIONS												

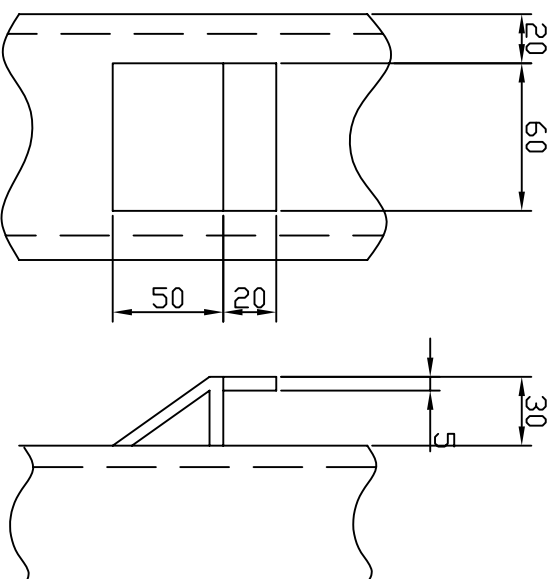
DD NOT SCALE



SECTION A-A



SECTION C-C
NOTE: FULLY WELDED CONSTRUCTION

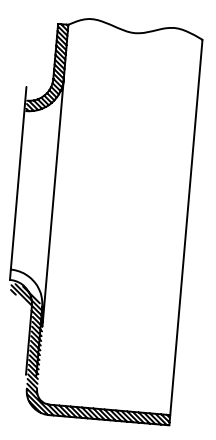
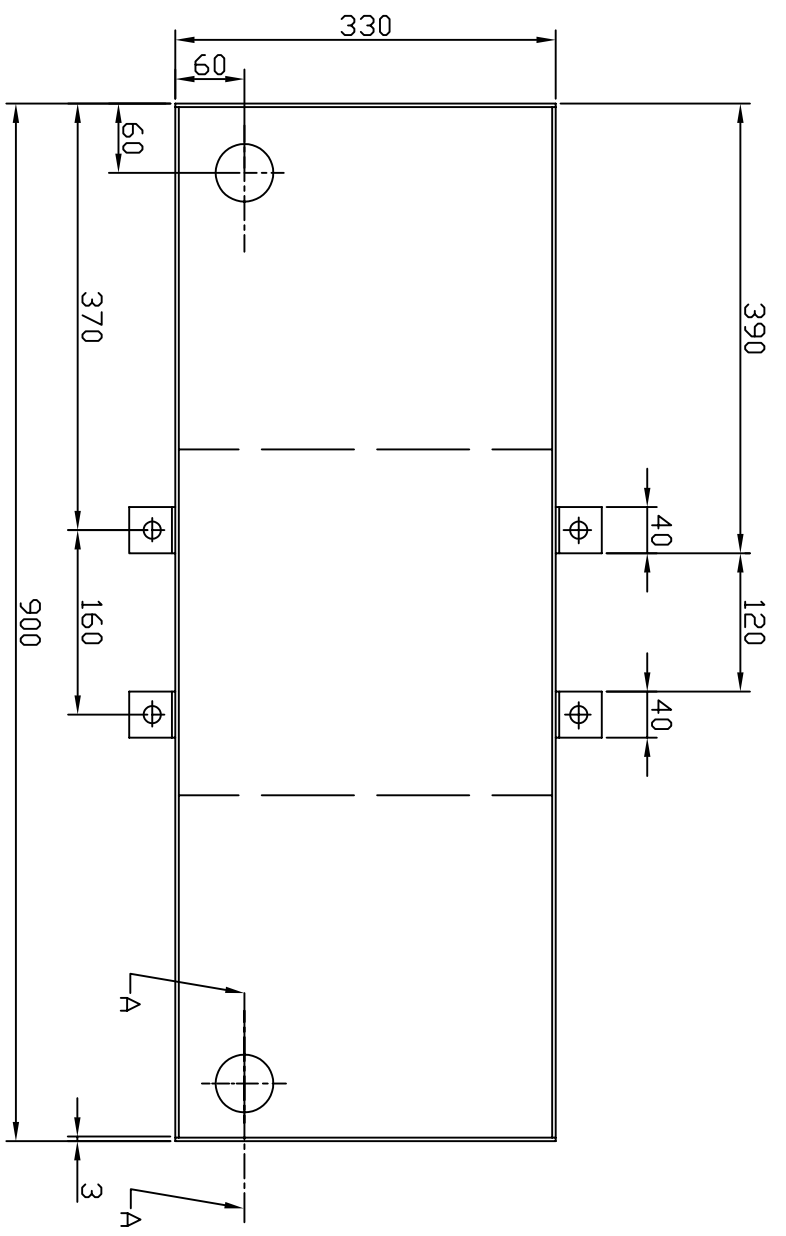


VIEW DN B
NOTE FULLY WELDED CONSTRUCTION

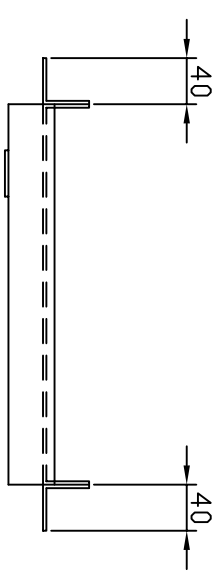
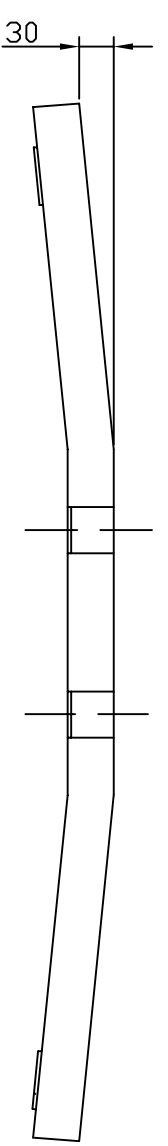
3 MAIN FRAME
(DETAILS)

No.	Description	CHK	AP'D	DATE	Practical Action	TITLE MANUAL SCREW PRESS	DRAWN A.R	TRACE -	CHK -			DD NOT SCALE
REVISIONS						MATERIAL MILD STEEL	DRAWING No. MSP101					

DD NDT SCALE



SECTION A-A



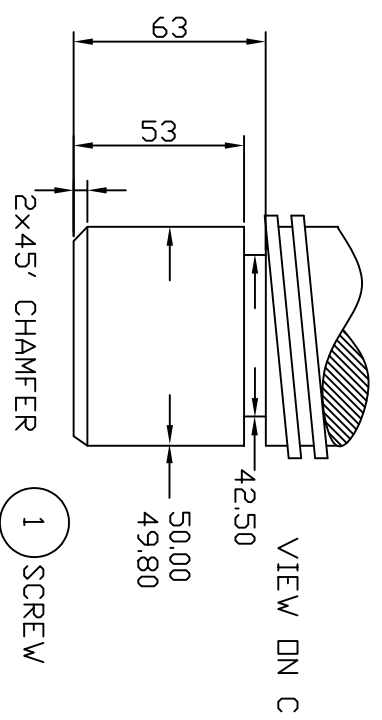
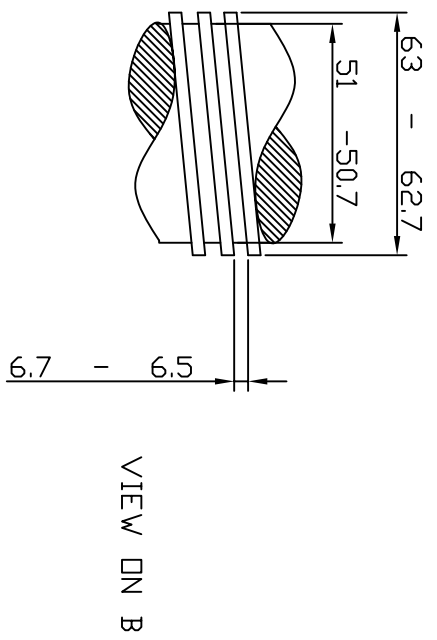
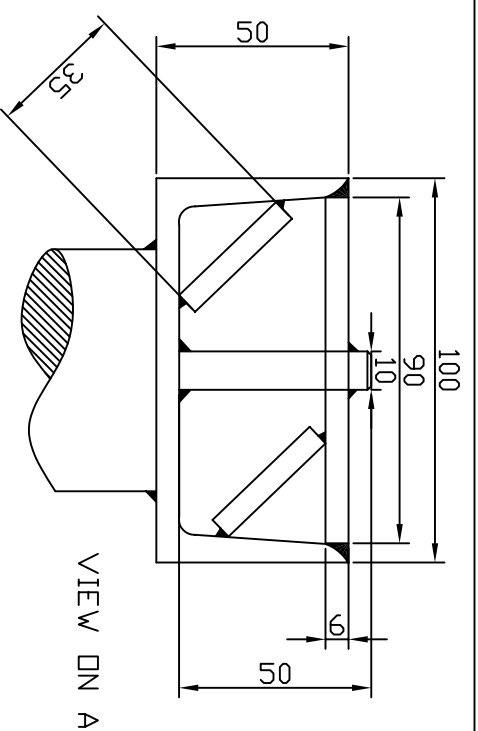
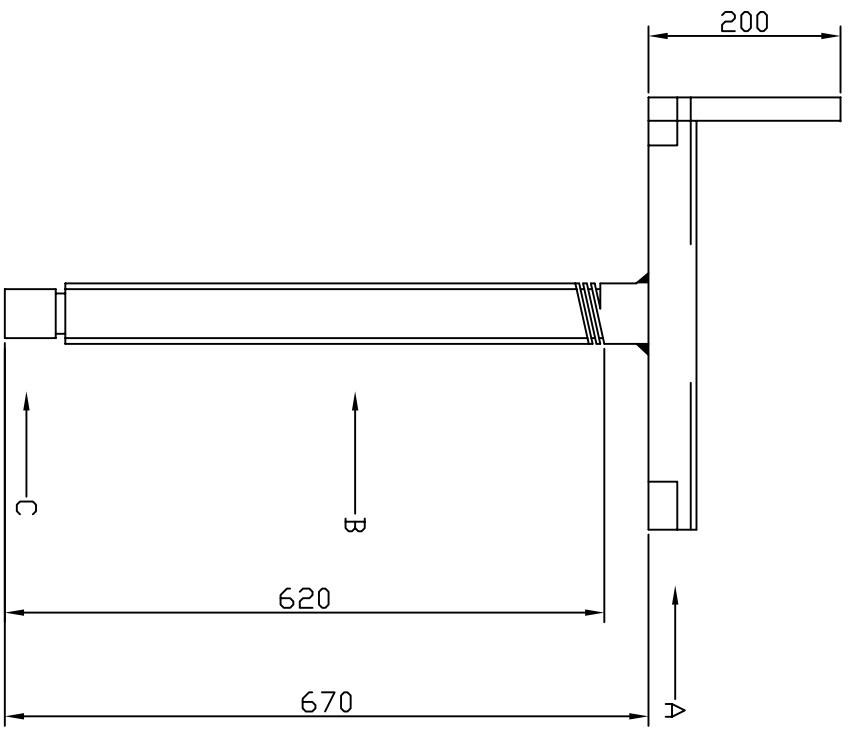
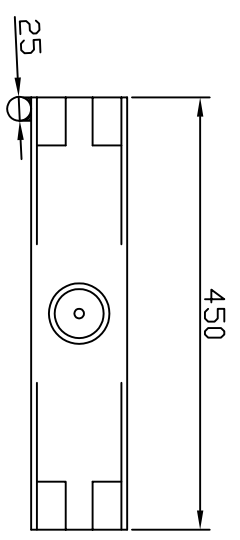
TOLERANCES UNLESS OTHERWISE STATED +/- 0.25

4 DIL COLLECTION TRAY

No.				
REVISIONS	Description	CHK	AP'D	DATE

Practical Action		TITLE	MANUAL SCREW PRESS	DRAWN A/R	TRACE	CHK	DRAWING No. MSP102	NDT TO SCALE
		MATERIAL	SHEET STEEL					

DD NDT SCALE



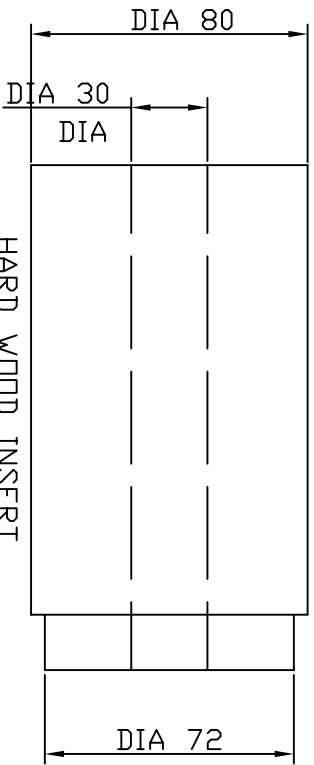
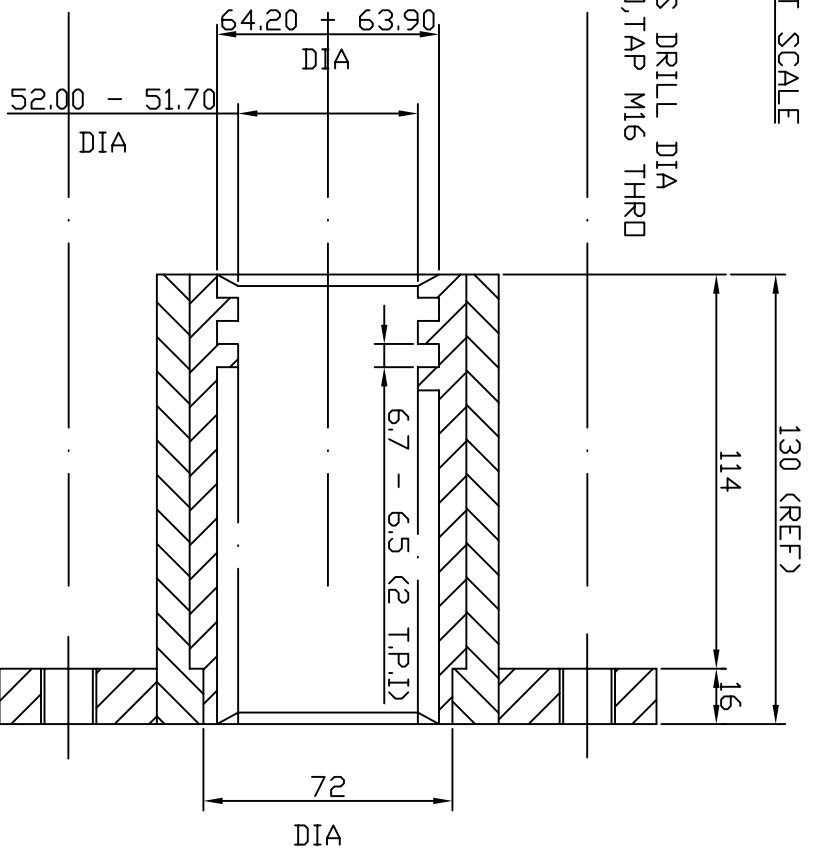
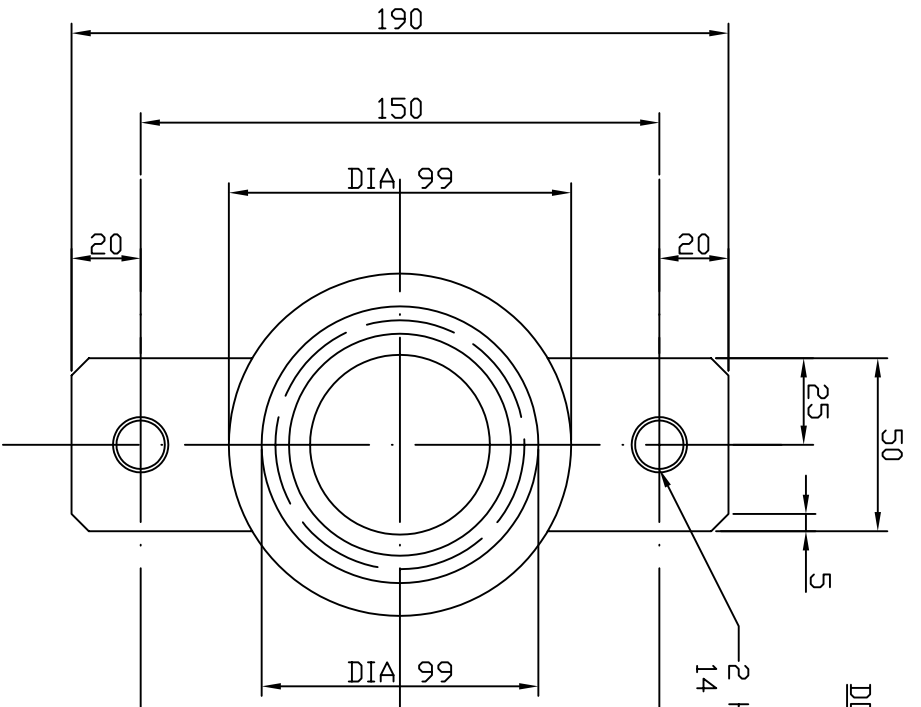
TOLERANCES
UNLESS OTHERWISE
STATED +/- 0.25

1 SCREW

No.				
REVISIONS	Description	CHK	AP'D	DATE

Practical Action	TITLE MANUAL SCREW	DRAWN A.R	TRACE -	CHK -	NDT TO SCALE
	MATERIAL MILD STEEL	DRAWING No. MSP103			

D.D. NOT SCALE



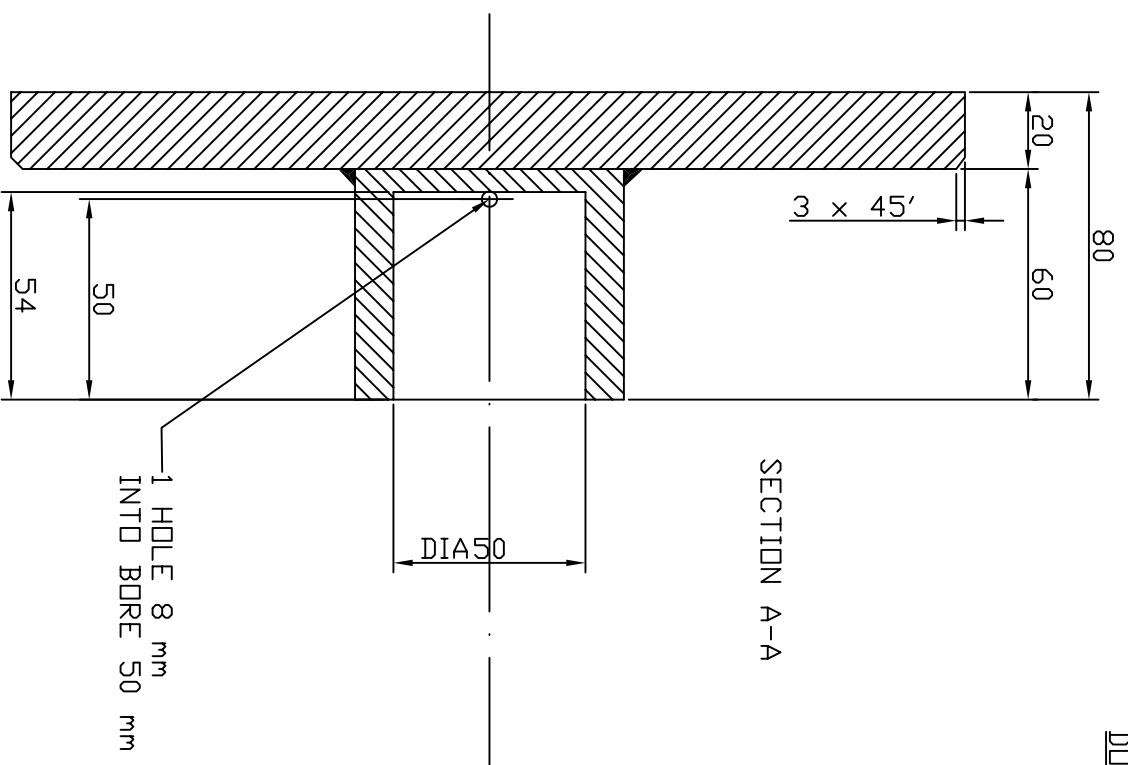
NOTE: MACHINE INSERT D.D AND DIA 30 BORE THEN ASSEMBLE INTO NUT BEFORE MACHINING SCREW THREAD

7 SCREW NUT

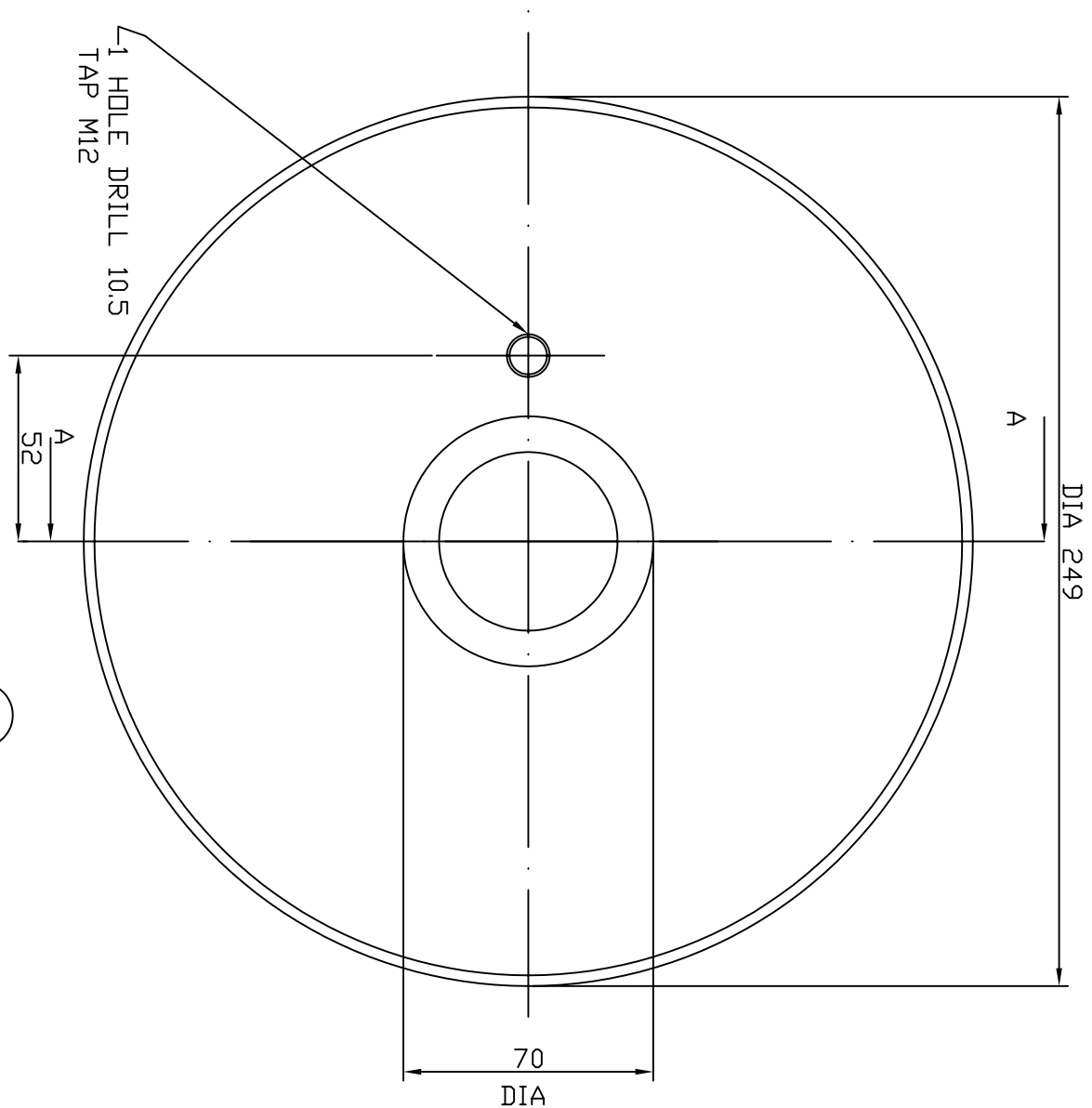
No.				
REVISIONS	Description	CHK	AP'D	DATE

TITLE MANUAL SCREW PRESS		DRAWN A.R	TRACE -	CHK -	NDT TO SCALE
MATERIAL HARD WOOD MILD STEEL		DRAWING No. MSP104			

DIA NDT SCALE



SECTION A-A



TOLERANCES UNLESS OTHERWISE STATED +/- 0.25

5 PRESSURE PLATE

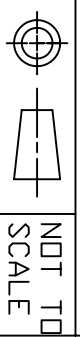
No. REVISIONS	Description	CHK	AP'D	DATE

Practical Action

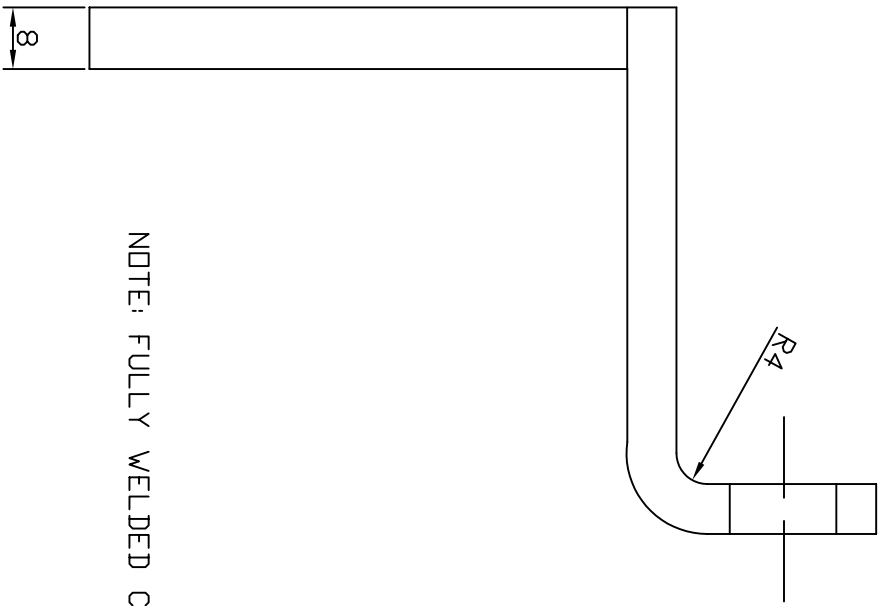
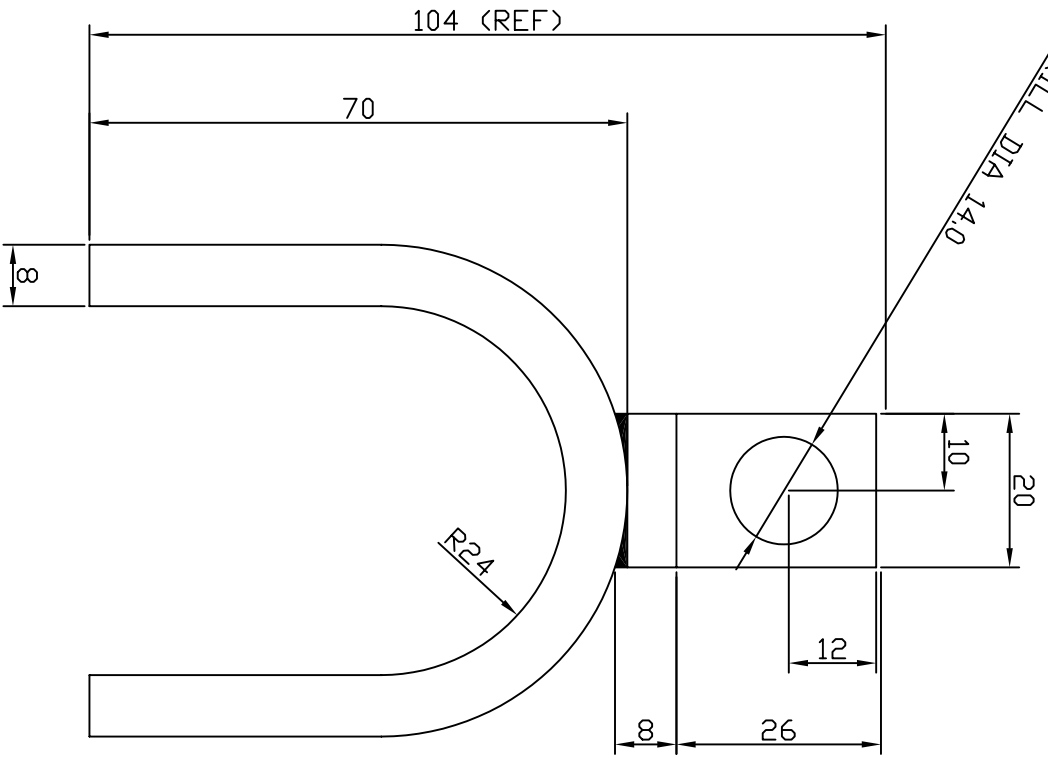
TITLE MANUAL SCREW PRESS
MATERIAL MILD STEEL

DRAWN A.R. TRACE - CHK -

DRAWING No. MSP105



DD NDT SCALE



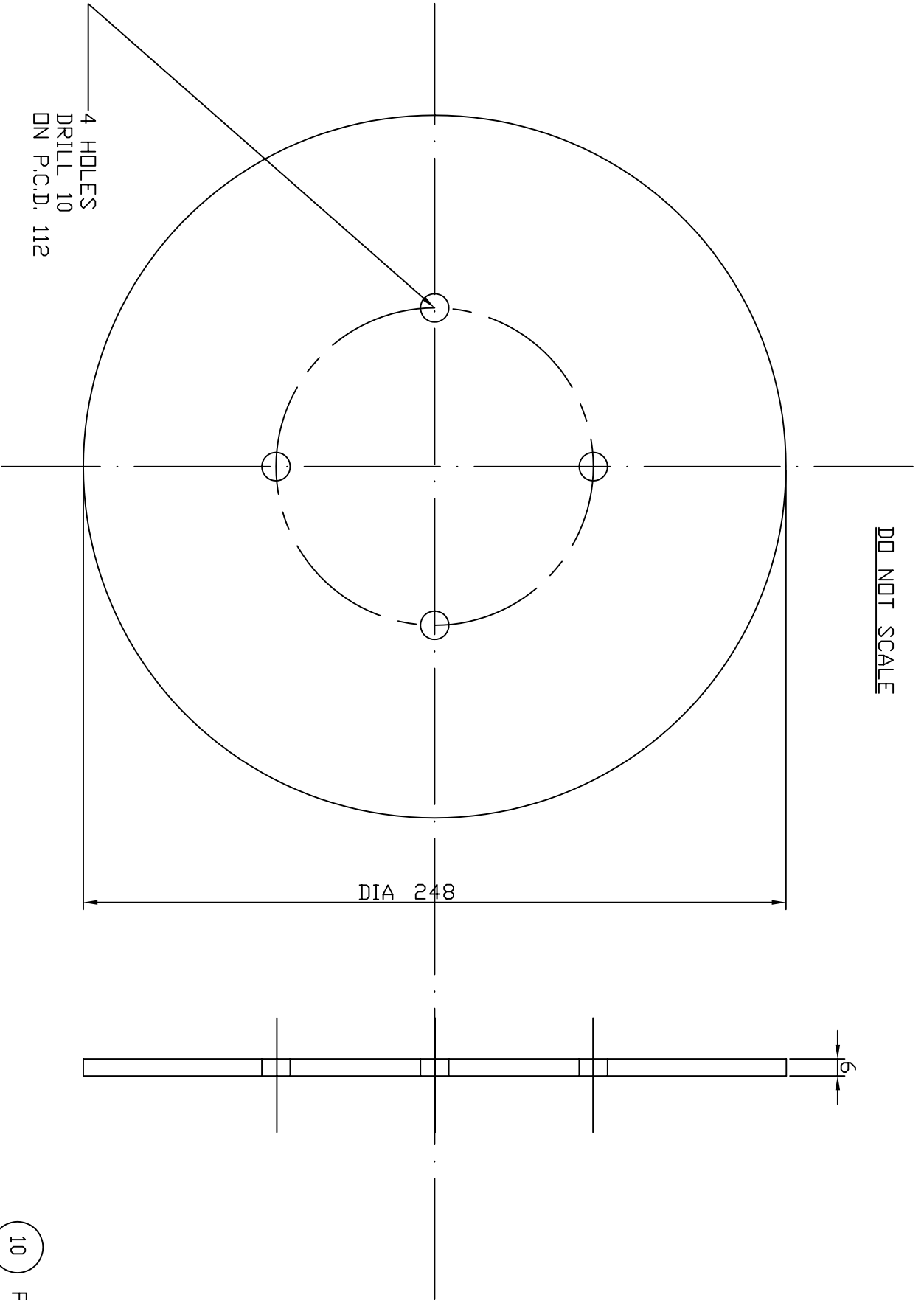
NOTE: FULLY WELDED CONSTRUCTION

TOLERANCES
UNLESS OTHERWISE
STATED +/- 0.25

(6) RETENTION ARM
FOR PRESSURE
PLATE

No. REVISIONS		Description			CHK	AP'D	DATE	Practical Action		TITLE	DRAWN A/R	TRACE	CHK	DRAWING No.	NOT TO SCALE
										MANUAL SCREW PRESS		-	-	MSP106	
										MILD STEEL		-	-		

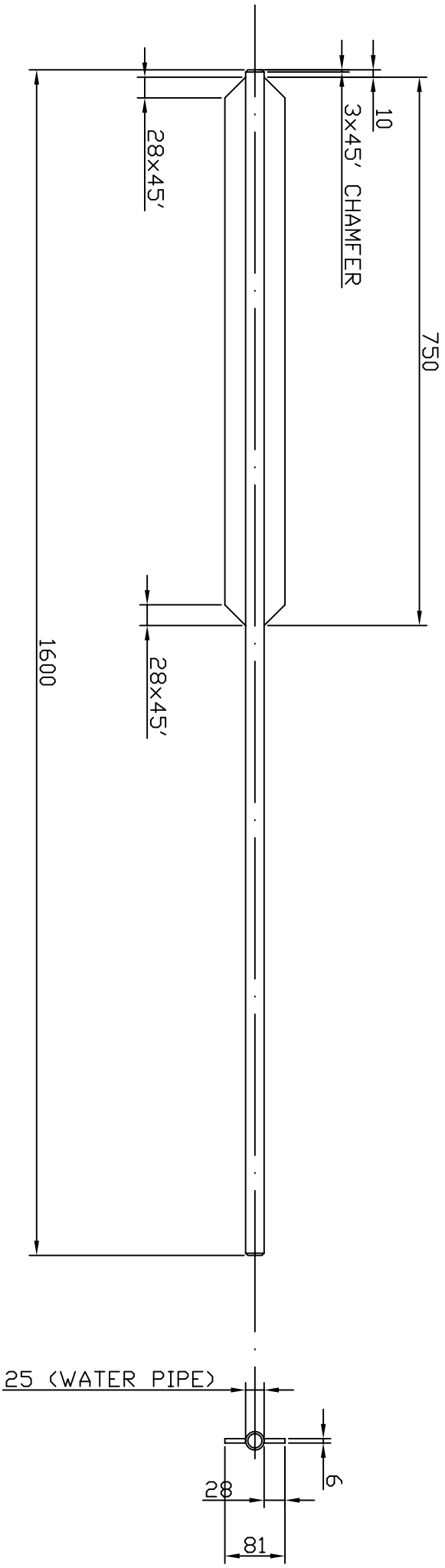
DIA NDT SCALE



10 PRESSURE DISC

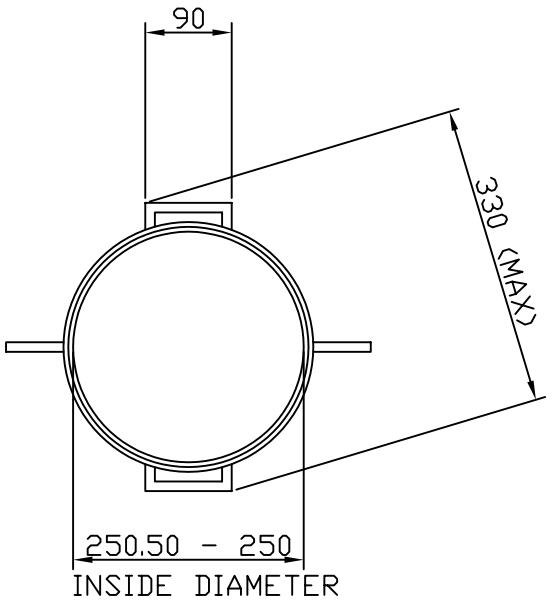
No. REVISIONS		Description		CHK	AP'D	DATE	Practical Action		TITLE MANUAL SCREW PRESS		DRAWN A.R		TRACE -		CHK -		INDT TO SCALE	
									MATERIAL HARD WOOD									

DD NOT SCALE

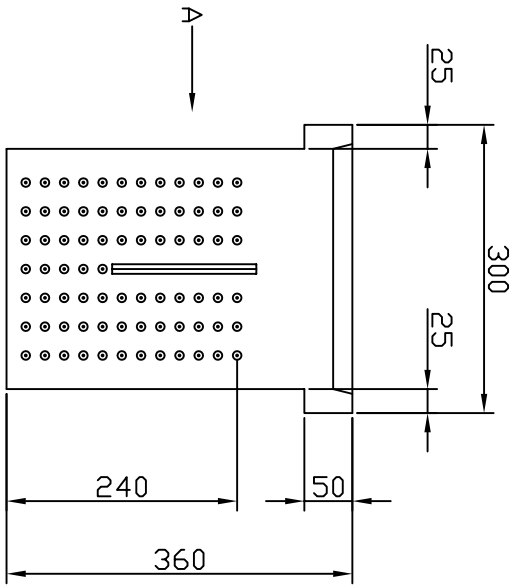
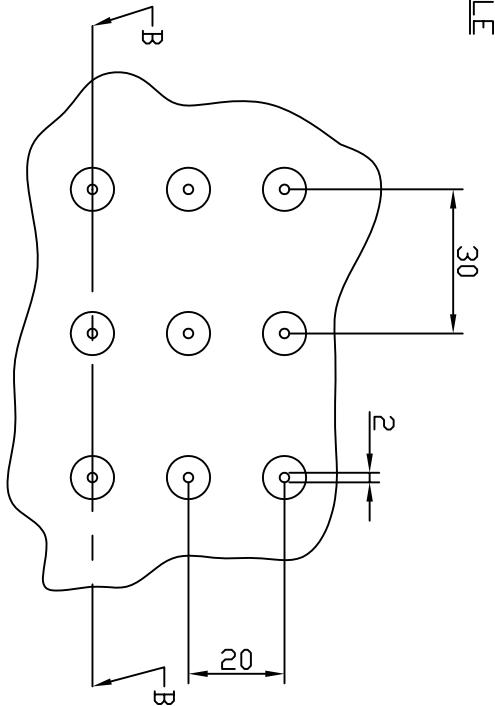


9 TORQUE ARM

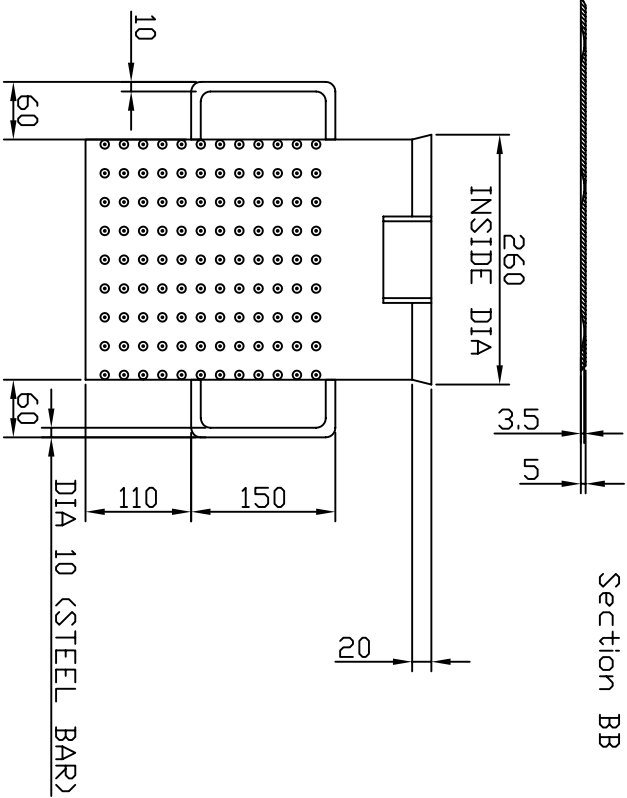
No.		Description		CHK	AP'D	DATE	Practical Action	TITLE	DRAWN A/R	TRACE	CHK	DRAWING No. MSP108	DD NOT SCALE
REVISIONS													
								MANUAL SCREW					
								PRESS					
								MILD STEEL					



DO NOT SCALE



NOTE: FULLY WELDED CONSTRUCTION



8 CAGE

No.				
REVISIONS	Description	CHK	AP'D	DATE

Practical Action	TITLE	MATERIAL	DRAWN A/R	TRACE	CHK	DRAWING No.	NDT TO SCALE
	MANUAL SCREW PRESS	5mm STEEL PLATE				MSP109	