



CUT COSTS OF FEEDING STOVER

**Illustrations by: Joseph Kariuki
Technical Content by: Nicholas
Massawe (Selian Agricultural
Research Institute), Emyr Owen (
Reading University), Luis Mtenga (
Sokoine University of Agriculture),
Dannie Romney (Natural Resources
Institute and ILRI), Sarah Holden
and Steve Ashley (Livestock in
Development)**

**For Further Information: Contact The
Zonal Director, Selian Agricultural
Research Institute,
P.O. Box 6024 , Arusha Tanzania**

**Design by: Development
Communications Ltd.**

**Funded by: DFID Livestock
Production Programme. Managed by:
Natural Resources International Ltd.**

**MAIZE, STOVER AND OTHER CROP RESIDUES AFTER
HARVEST MAKE USEFUL FEED FOR ANIMALS. THE COST
OF TRANSPORTING CAN BE VERY HIGH. BUT NOW...**

WHICH OF THESE 2 TRUCKS LOOKS AS IF IT IS
CARRYING THE MOST STOVER?



Truck 1 is carrying

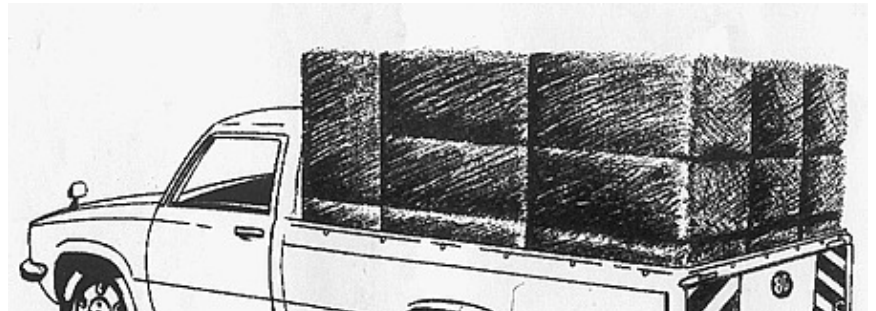
02/11/2011

**Truck 1 is carrying
only 160 kgs of
stover**

Livestock Husbandry:



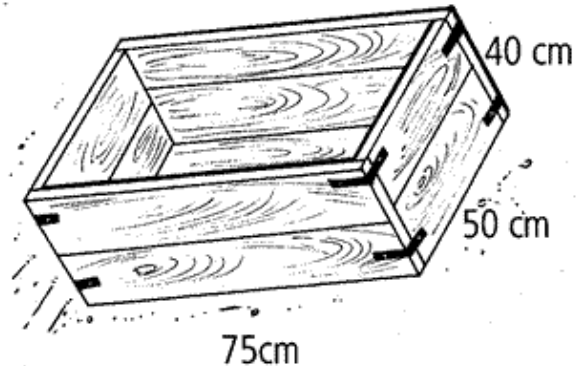
**Truck 2 is carrying
260 kgs of stover**



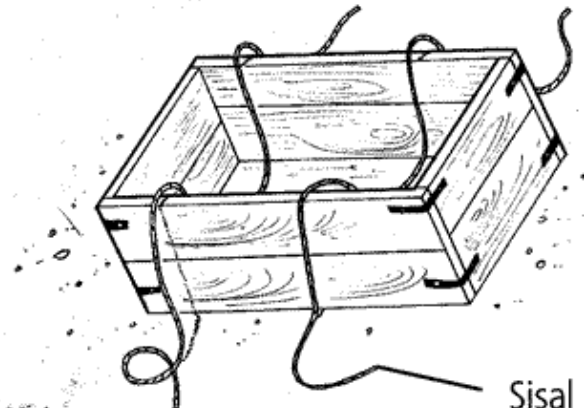


REDUCE TRANSPORT COSTS BY A THIRD - BOX BALE YOUR STOVER

1. MAKE A BOX.



2. PUT SISALTWINE IN



**3. PUT IN STOVER AND
JUMP ON IT UNTIL AS
MUCH AS POSSIBLE IS IN
THE BOX.**

4. TIE UP THE BOX





5. REMOVE THE BALE. STACK AND STORE WITH EASE.





If only leaves are baled,
then you can bale even
more!

Leave the stems as they

02/11/2011

Livestock Husbandry:

Leave the stems, as they
make poor feed

**BOX BALING
SAVES BIG MONEY!**

