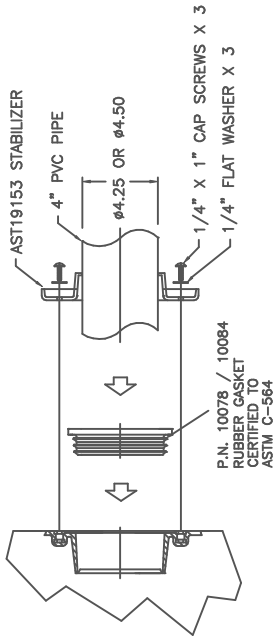


**PROPRIETARY DATA**

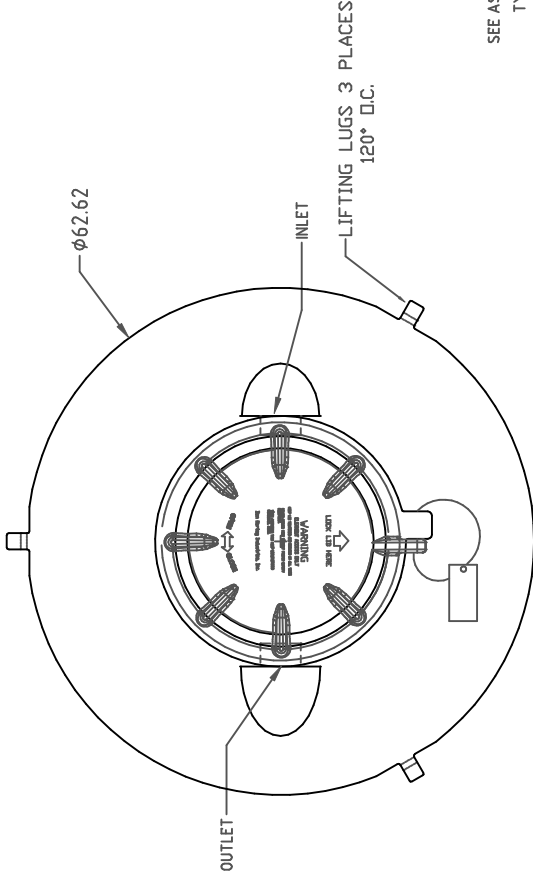
PROPERTY OF ACE ROTO-MOLD MFG., INC. INFORMATION FURNISHED HEREIN IS THE PROPERTY OF ACE ROTO-MOLD MFG., INC. AND SHALL NOT BE USED, DISCLOSED TO OTHERS, OR COPIED WITHOUT THE EXPRESSED WRITTEN CONSENT OF ACE ROTO-MOLD MFG., INC. ALL RIGHTS RESERVED.

**ASSEMBLY DETAIL "A"**

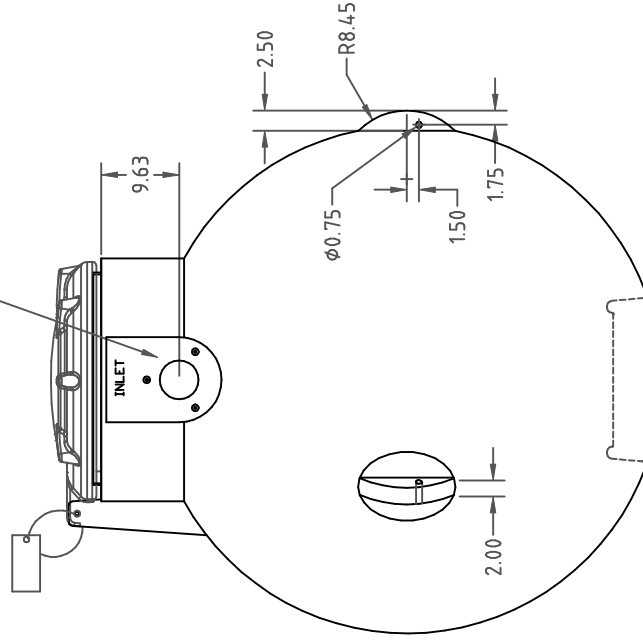
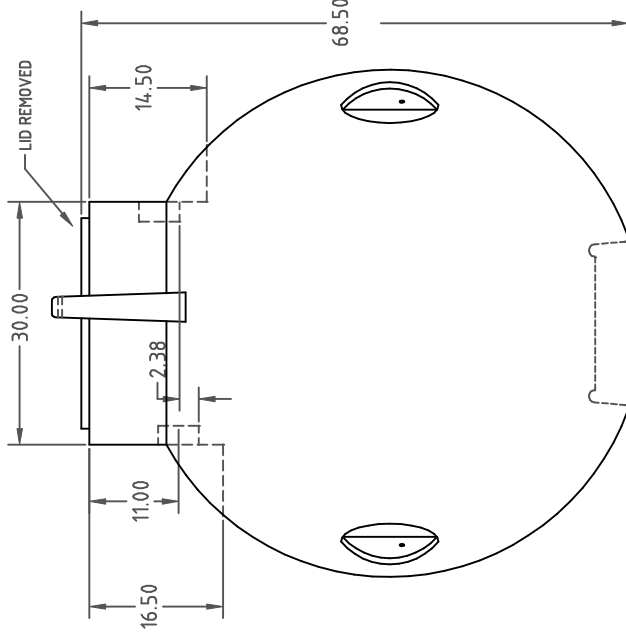
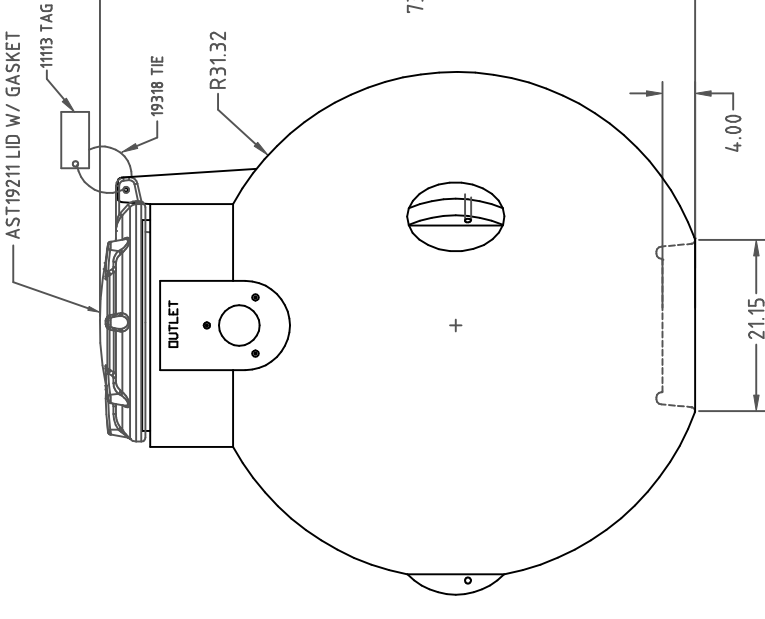


AST-0500-1

B



SEE ASSEMBLY DETAIL "A" TYPICAL 2 PLACES



SHIPPING WEIGHT = 197 LB.

<p><b>Ace Roto-Mold</b> A DIVISION OF DEN HARTOG INDUSTRIES, INC.</p>		<p>CLIENT / DESCRIPTION</p> <p>500 GALLON PUMP TANK</p>		<p>SCALE</p> <p>NONE</p>		<p>PART NO.</p> <p>AST-0500-1</p>	
<p>SHOT WEIGHT</p> <p>(A) 180 LBS. YELLOW</p>		<p>DRAWN / DATE</p> <p>DHJ 9/19/06</p>		<p>APPROD. / DATE</p> <p>REH 7/25/07</p>		<p>NOTES :</p> <p>THIRD ANGLE PROJECTION ANSI 14.5M</p>	
<p>REV</p> <p>DESCRIPTION</p>		<p>DATE APPROD.</p> <p>CCN</p>		<p>ALL DIMENSIONS ARE IN DECIMAL INCHES TOLERANCES UNLESS OTHERWISE SPECIFIED ± 1% @ 68 F</p>		<p>REV</p> <p>DESCRIPTION</p>	
<p>B ADD 10 LBS.</p>		<p>8/30/07 DHJ</p>		<p>8/30/07 DHJ</p>		<p>8/30/07 DHJ</p>	
<p>A ADD 4 INCHES TO MOLD</p>		<p>8/30/07 DHJ</p>		<p>8/30/07 DHJ</p>		<p>8/30/07 DHJ</p>	