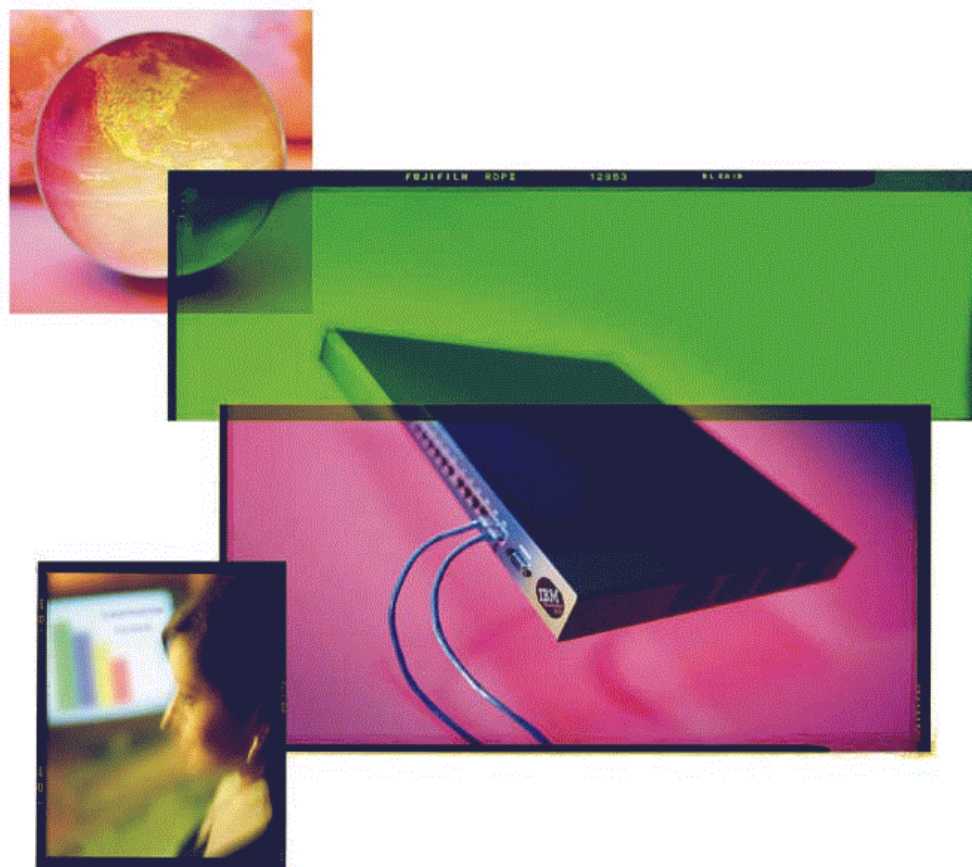


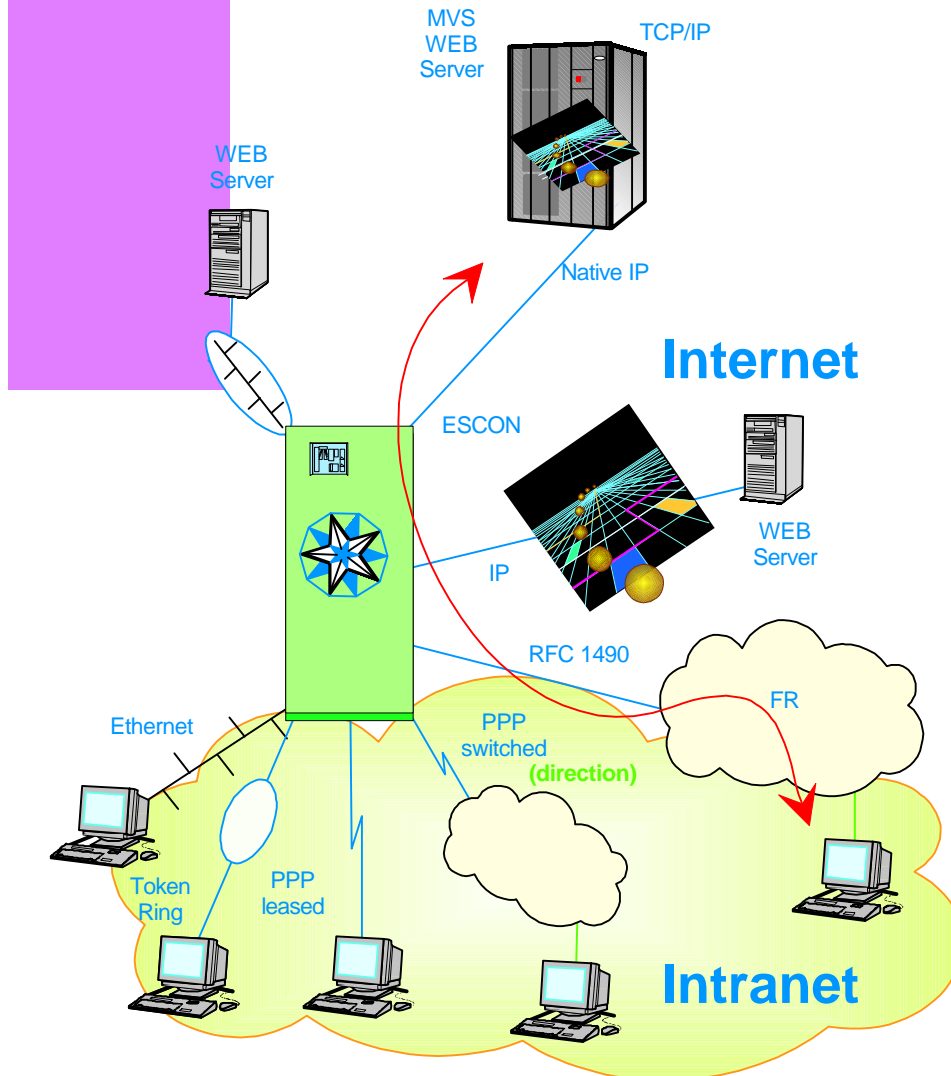
# IBM 3746 Nways Multiprotocol Controllers Models 900 and 950

December 2, 1997  
(Revision 4)



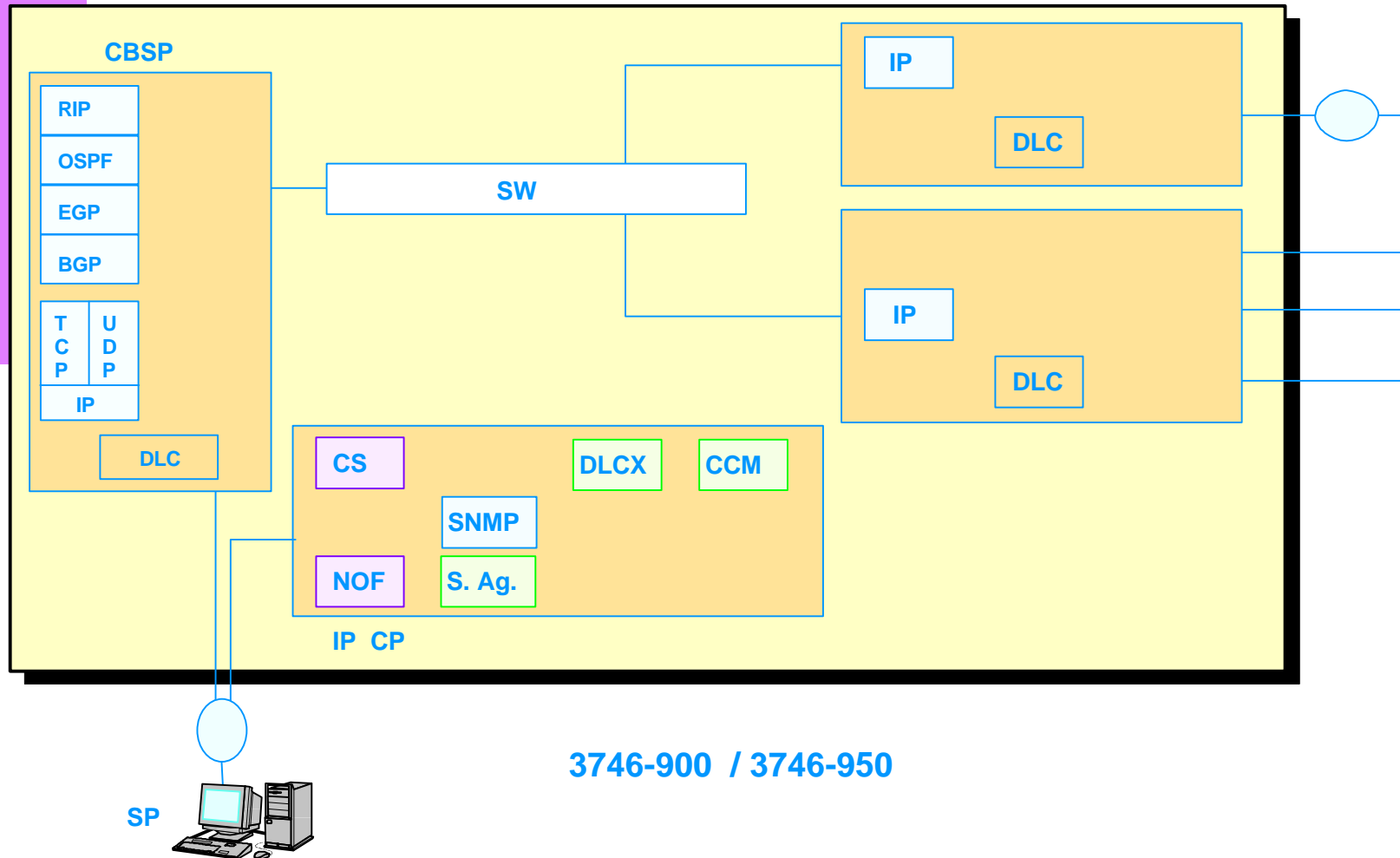
## IP Routing

# IBM 3746 - Full Fledged IP Router



- **Native IP routing over**
  - LAN : Token-Ring, Ethernet
  - Channel: ESCON
  - WAN : Frame Relay, PPP (Leased Line)
- **RIP (V1), OSPF (V2), BGP (V4), ARP**
- **Filtering, Access Control**
- **Multiple IP addresses per interface**
- **Header compression on WAN**
  - RFC 1144
- **Variable length subnet addresses**
- **IP application prioritization**
  - Bandwidth Reservation System (BRS)
- **Routing in the 3746 adapters**
- **Adapter sharing between IP/SNA/APPN/HPR**
- **SNMP support**
  - Netview for AIX

# IBM 3746 - IP Components



3746-900 / 3746-950

# IBM 3746 - Main IP Functions



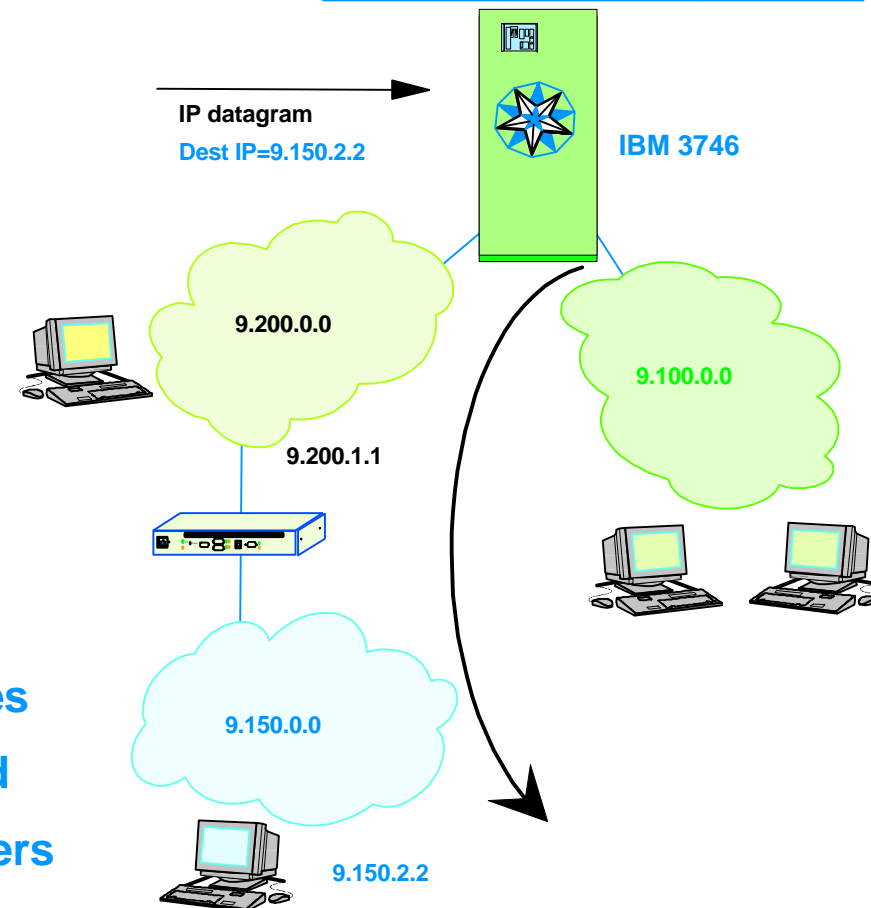
- **Routing Protocols**
  - RIP (V1)
  - OSPF (V2)
  - BGP (V4)
- **ARP**
  - Basic ARP (T/R)
  - Proxy ARP
  - InARP for F/R
  - Config Aging Timer
  - Automatic refresh option
- **IP / ICMP**
  - Subnetting (w/variable length)
  - Multiple IP addresses per interface
  - Packet filter/Access Control
  - Source IP address
  - Destination ...
  - IP protocol number
  - TCP ...
  - UDP ...
- **ICMP**
  - Ping
  - Destination unreachable
  - Source redirect
  - Time exceeded
  - Parm problems
  - Address mask request/response

# IBM 3746 - IP Filters



Routing table

9.0.0.0	255.0.0.0	Filter
9.100.0.0	255.255.0.0	Direct
9.150.0.0	255.255.0.0	9.200.1.1



- **FILTERS**

- Defined as static routes
- Consists of an IP add + mask
- Saved in IP routing table & caches
- Packets discarded if dest. add matches
- Routes matching filters not advertised
- OSPF routes takes precedence on filters
- Can be overridden by a more specific route (best choice)

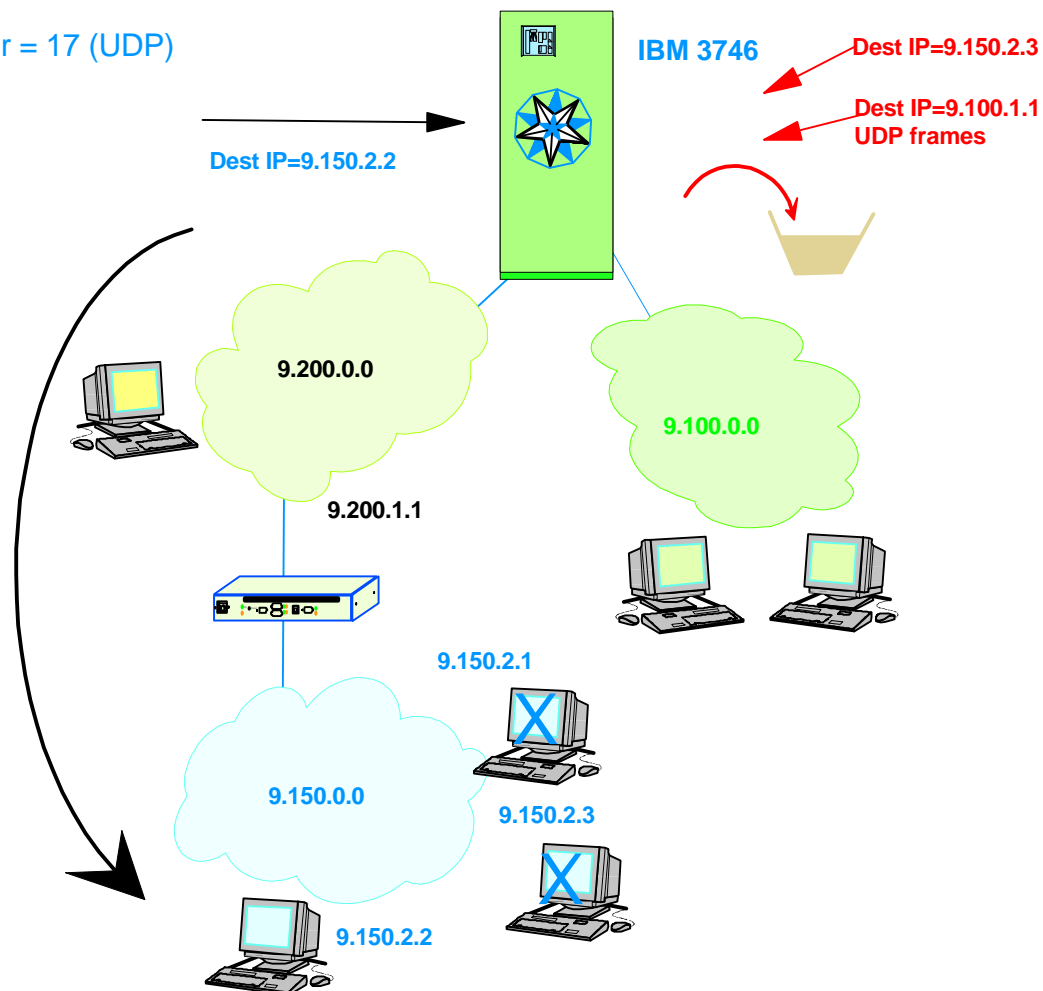
# IBM 3746 - IP Access Controls



- Inclusive 9.150.2.2
- Exclusive 9.150.0.0 / 255.255.0.0
- Exclusive 9.100.0.0 protocol number = 17 (UDP)

## • ACCESS CONTROL

- Specifically defined (not routes)
- Inclusive or exclusive
- IP source add (+ mask)
- IP destination add (+ mask)
- Range of protocol numbers
- Range of port numbers
- Based on ordered lists
  - first matching if multiple entries
  - less efficient than routing table
- Cache of 8 most recently seen packets



# IBM 3746 - Adapter Sharing



- **ESCON**

- Physical line/Logical lines shared by NCP-A, NCP-B, APPN/HPR, IP
- Stations (16 max) 1 per VTAM or TCP/IP MVS

- **TRP**

- Physical line shared by NCP, APPN/HPR, IP

- **CLP**

- SDLC line = not shared - NCP or APPN/HPR
- PPP line = not shared - IP only
- F/R line = shared by NCP, APPN/HPR, IP
- F/R DLCI = NCP INN (BAN/INN) + APPN/HPR (BAN/Routed) + IP  
or NCP BNN (BAN/Routed) + APPN/HPR (BAN/Routed) + IP