

IBM 3746 Nways Multiprotocol Controllers Models 900 and 950

December 2, 1997
(Revision 5)



Key Messages

December 2nd, 1997 Announcement



- **Microcode/Documentation CD-ROM Delivery**

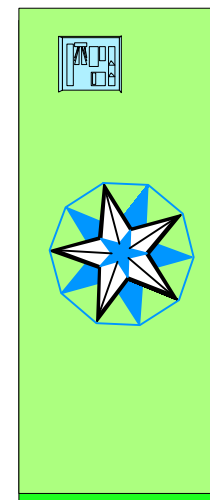
12/12/97

- Netscape/Acrobat Viewer
- Customer Documentations
- Installation Documentations

- **Multiaccess Enclosure Enhancements (FC #3000 and FC #3001)**

06/12/98

- FDDI
- Ethernet 10/100 Mbps
- HSSI T3/E3 speed
- Channelized T1/E1
- Enterprise Extender
- IP and UDP over MPC+
- TN3270e Server

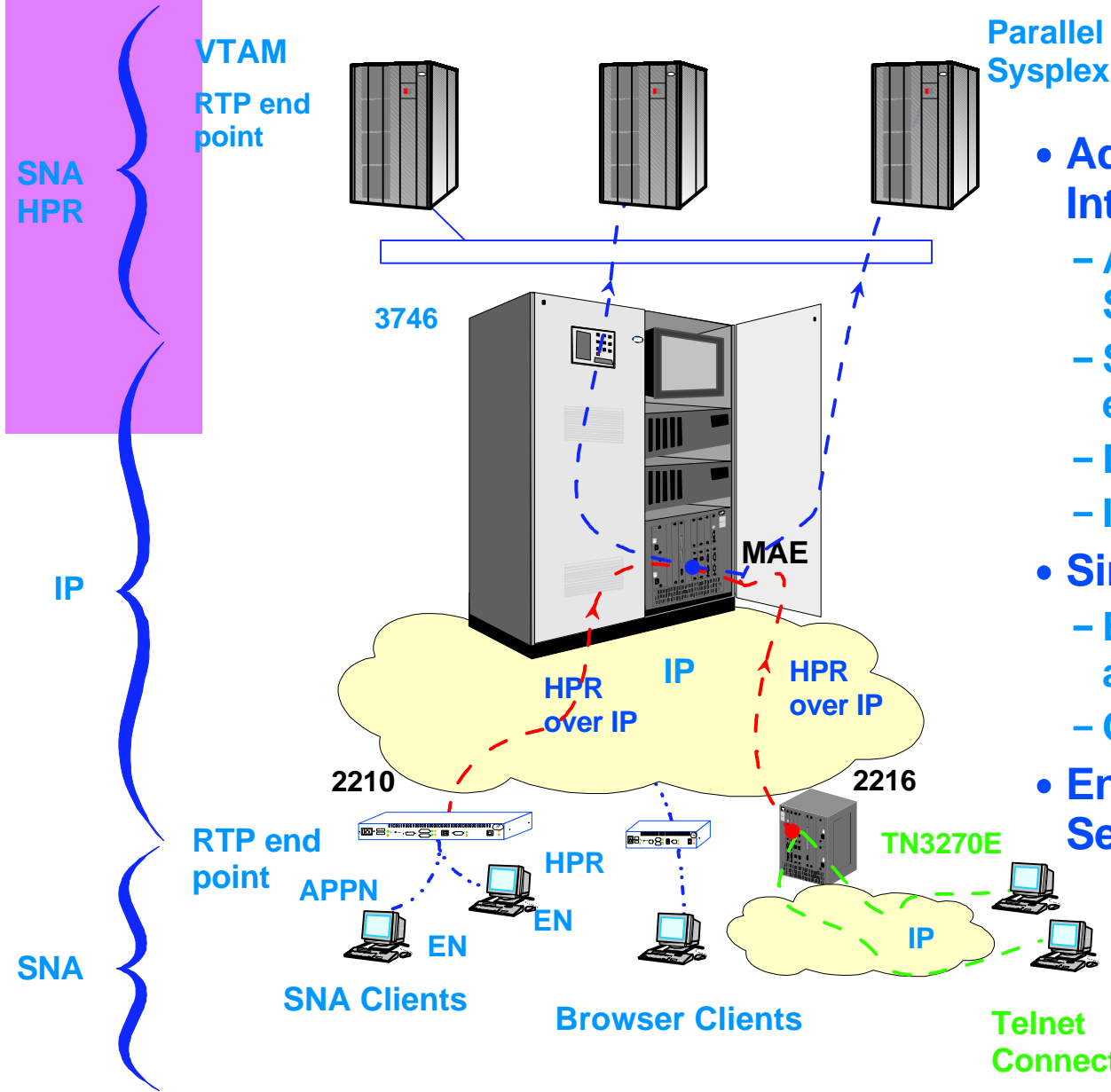


IBM 3746

IBM 3746 - Enterprise Extender



06/12/98

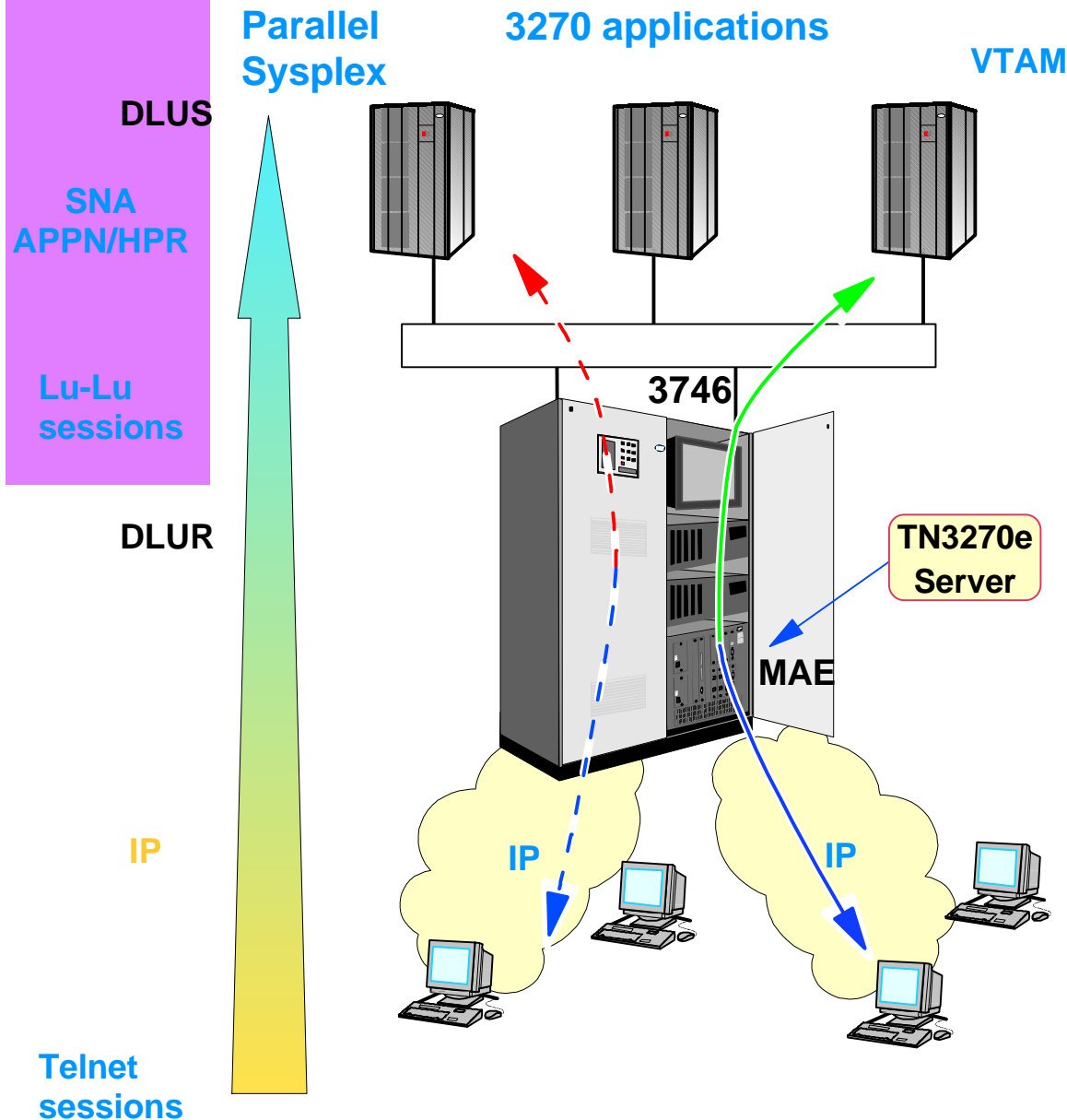


- **Advanced SNA and IP Integration Technology**
 - Along with SNA Parallel Sysplex
 - Scalable and cost effectiveness
 - Data prioritization end-to-end
 - IP network failure protection
- **Simple HPR Extensions**
 - Based on open HPR architecture
 - Contributing to AIW and IETF
- **Enable Distributed TN3270e Server**

IBM 3746 - TN3270e Server



06/12/98

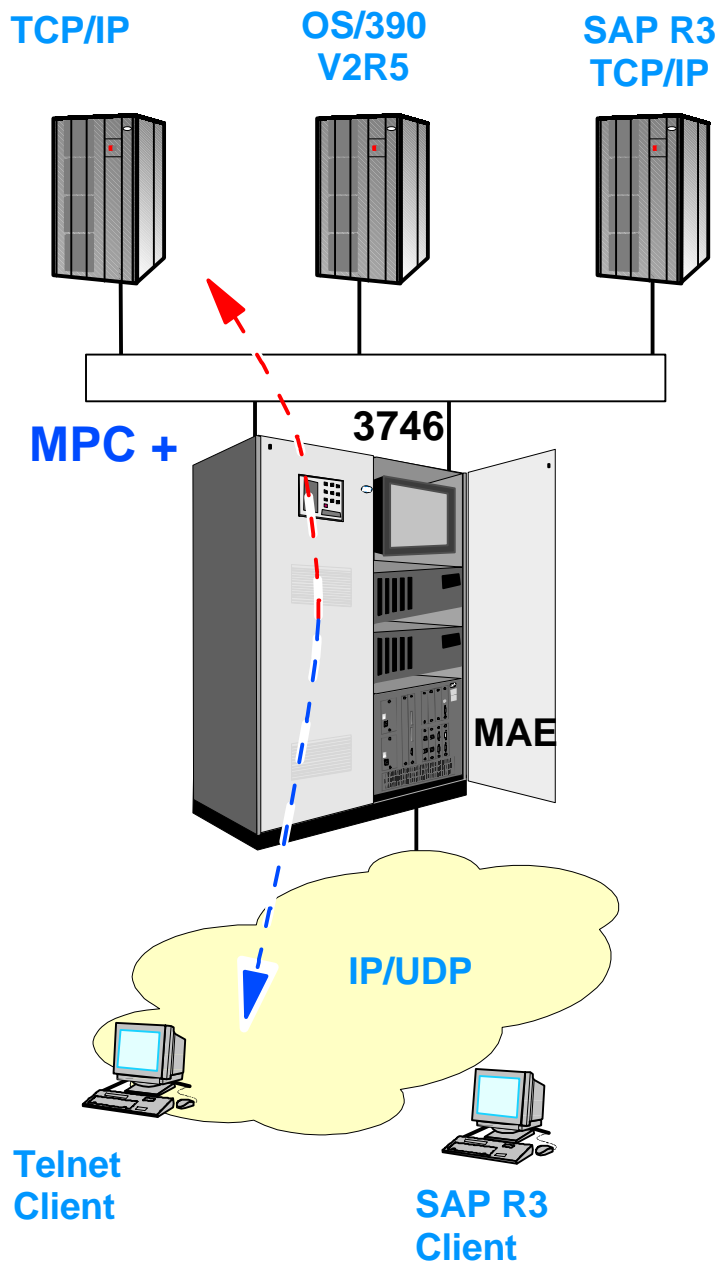


- Complement TN3270e IBM Solution
- Offload Mainframe from TCP/IP cycles
 - Max 4000 Telnet sessions
- APPN/HPR benefits from TN3270e Server up to the application
 - DLUR/APPN used for upstream SNA
- Support RFC 1576, 1646, 1647
- Prerequisites:
 - FC #3000 or FC #3001
 - NNP + IP Routing
 - FC #5806 + FC #5804
 - VTAM DLUS Function

IBM 3746 - ESCON MPC+ Enhancements



06/12/98

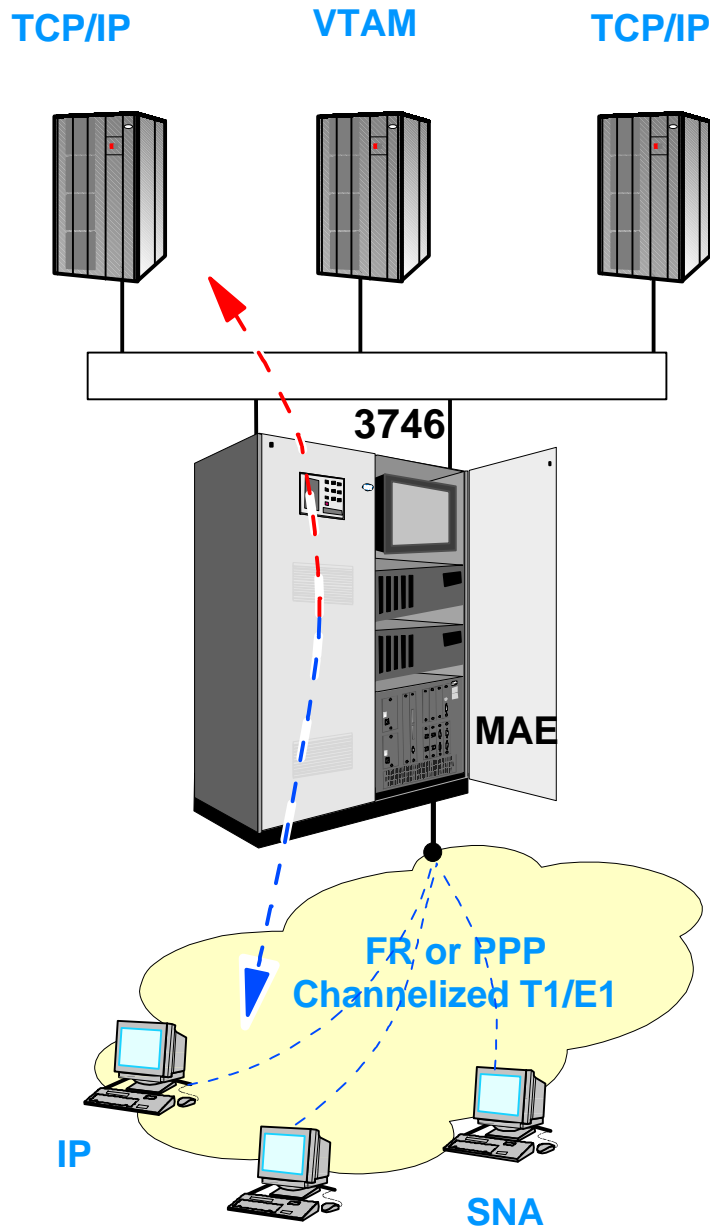


- MPC+ Support for UDP applications
 - SAP R/3 applications
 - NFS, DCE UNIX applications
- MPC+ Support for IP applications
 - TCP/IP MVS
- Reduce CPU Cycles consumption
- More Efficient Transfer of Data
- Prerequisites:
 - OS/390 V2R5 for IP over MPC+
 - OS/390 V2R4 for UDP over MPC+
 - MAE FC #3000 or FC #3001
 - FC #5805

IBM 3746 - Channelized T1/E1

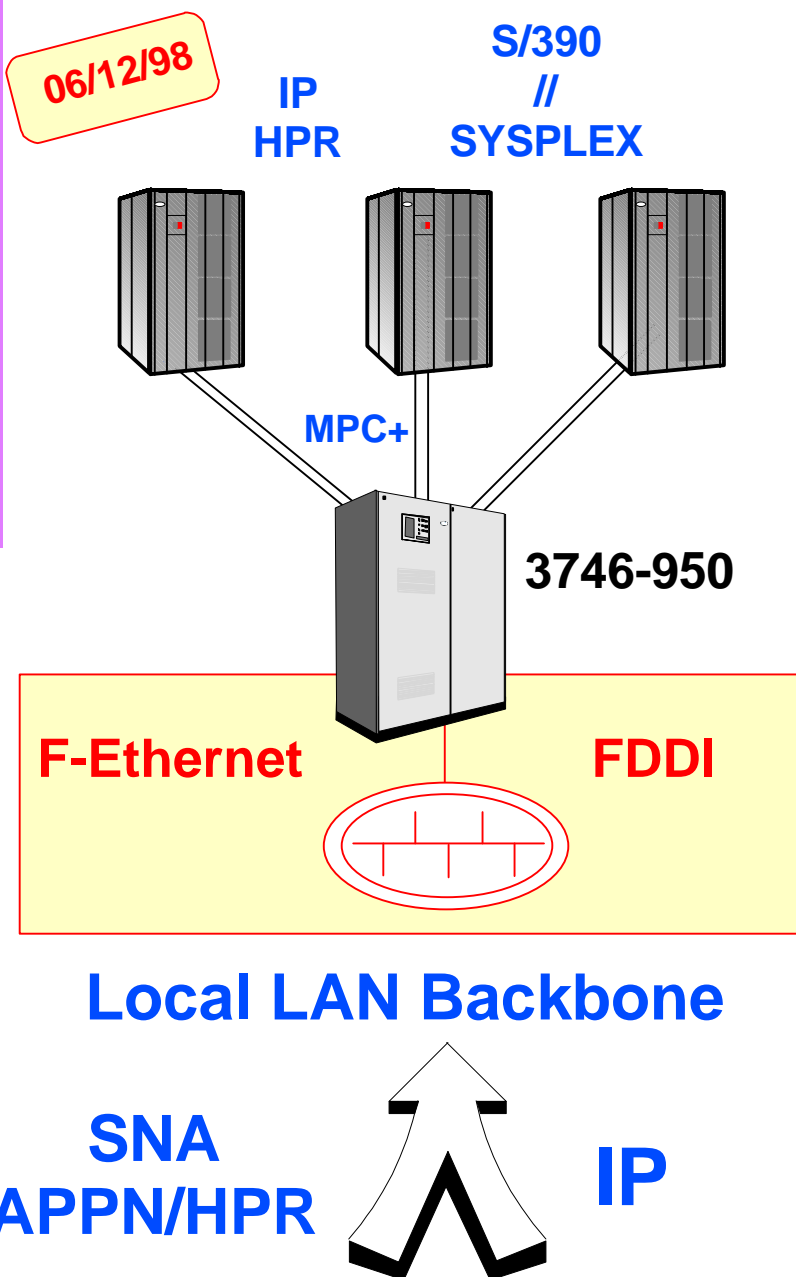


06/12/98



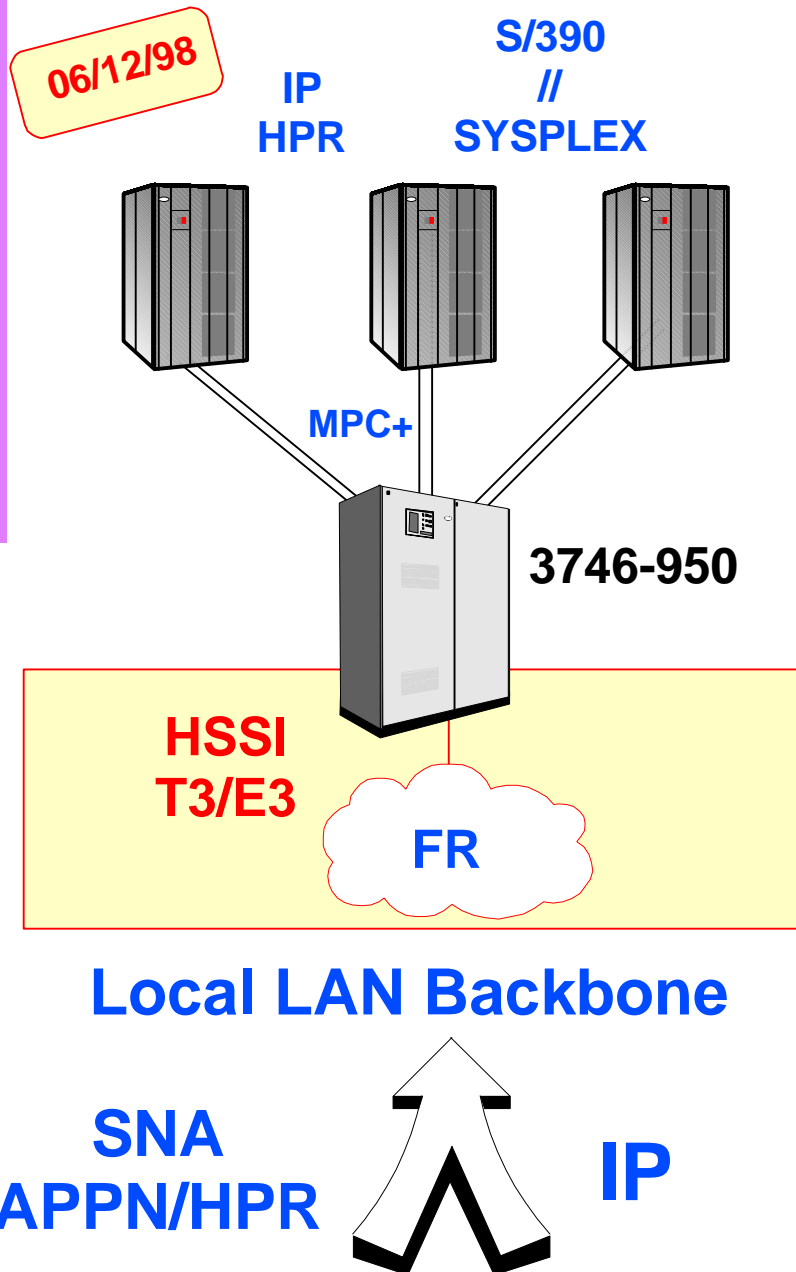
- **Use Same Hardware than PRI-ISDN**
 - T1 : 23 x 64Kbps channels(LIC 292)
 - E1: 31 x 64Kbps channels (LIC 283)
 - One or Multiple Connections per Physical Interfaces
 - Microcode Upgrade only
- **Protocols**
 - FR and PPP channels on same port
 - Bundle several 64Kbps channels in one bigger channel (128Kbps, 256,...)
- **Prerequisites:**
 - FC #5805
 - MAE FC #3000 or FC #3001
 - FC #3292 or FC #3283

IBM 3746 - High Speed LAN (FDDI, F-ENET)



- Collapse high Speed LAN Backbones
- Efficient S/390 Servers High Speed LAN Access
- FDDI Multi Mode Fiber
 - 100 Mbps
 - Standards:
 - ISO 9314-1
 - ISO 9314-2
 - ISO/IEC 9314-3
 - Station Management Rev 7.3
 - MMF SC media connector
- Fast Ethernet
 - 10Mbps/100Mbps
 - Auto-negotiation
 - Hdx, Fdx
 - Standards:
 - IEEE 802.3 (10Mbps)
 - IEEE 802.3u (100Mbps)
 - Shielded RJ-45 connector

IBM 3746 - High Speed Serial Interface (HSSI)

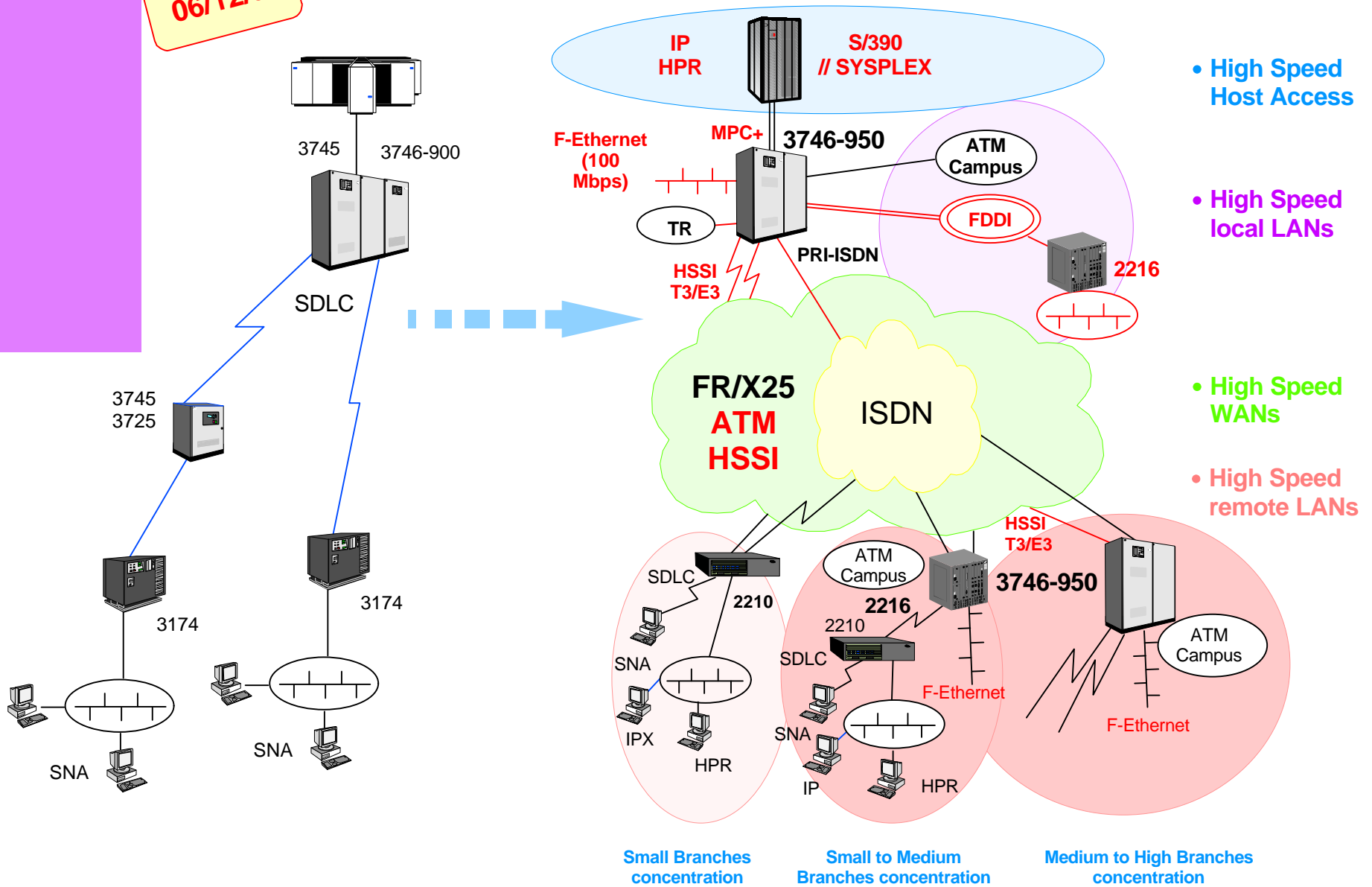


- One HSSI DCE Attachment per Port
 - DCE Interface
 - T3/E3 Speed
- Network Speed Range
 - 1.544Mbps up to 52Mbps
- Standards:
 - ANSI/EIA/TIA 612
 - ANSI/EIA/TIA 613
- 4.6m Cable provided
- Data Center Interconnection
- Cost Effective Consolidation of many FR connections
- Pre-requisites:
 - FC #3000 or FC #3001
 - FC #5805
 - FC #3289

IBM 3746 - Network Computing Solution



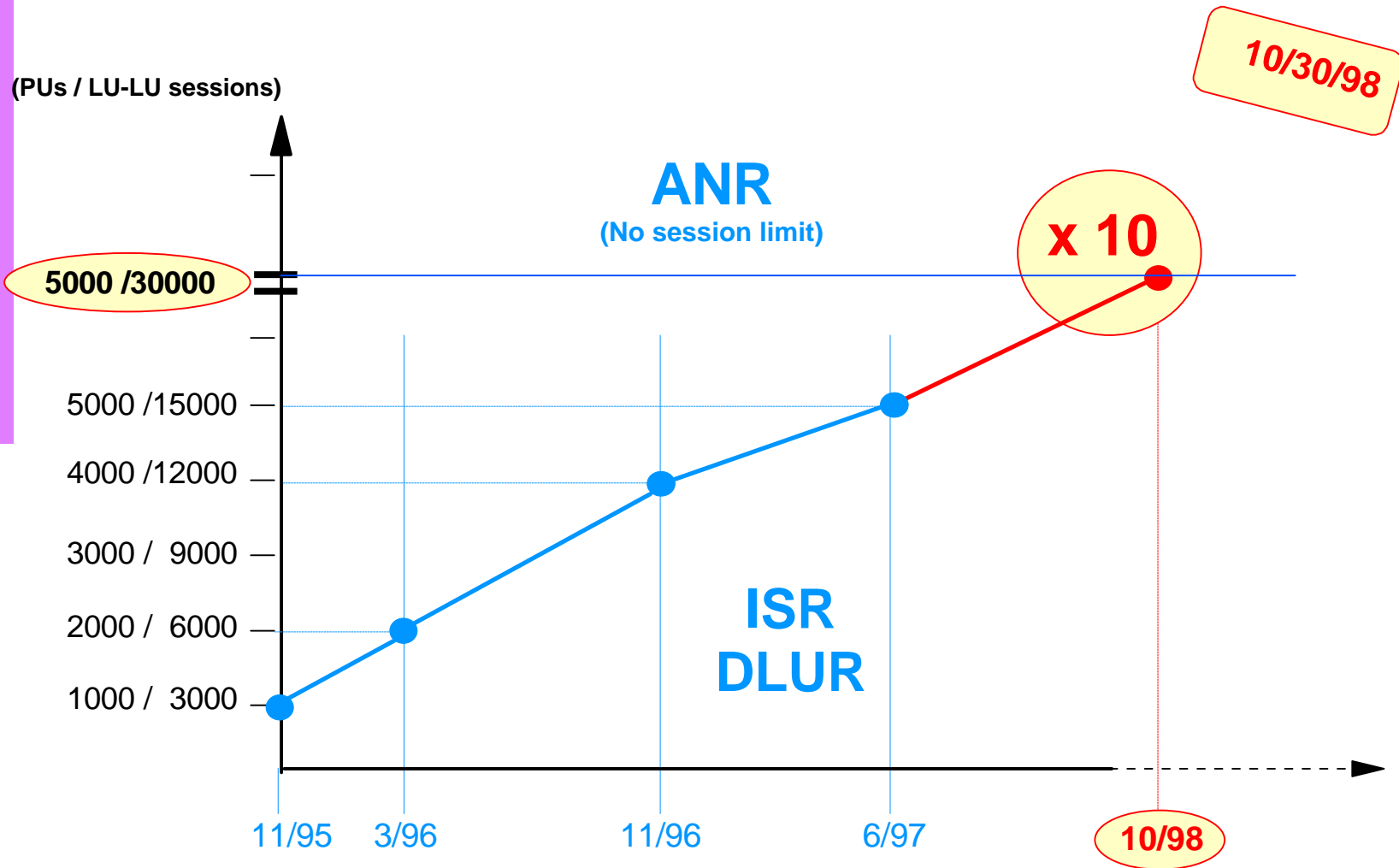
06/12/98



- High Speed Host Access
- High Speed local LANs
- High Speed WANs
- High Speed remote LANs

Small Branches concentration Small to Medium Branches concentration Medium to High Branches concentration

IBM 3746 - Connectivity Increase



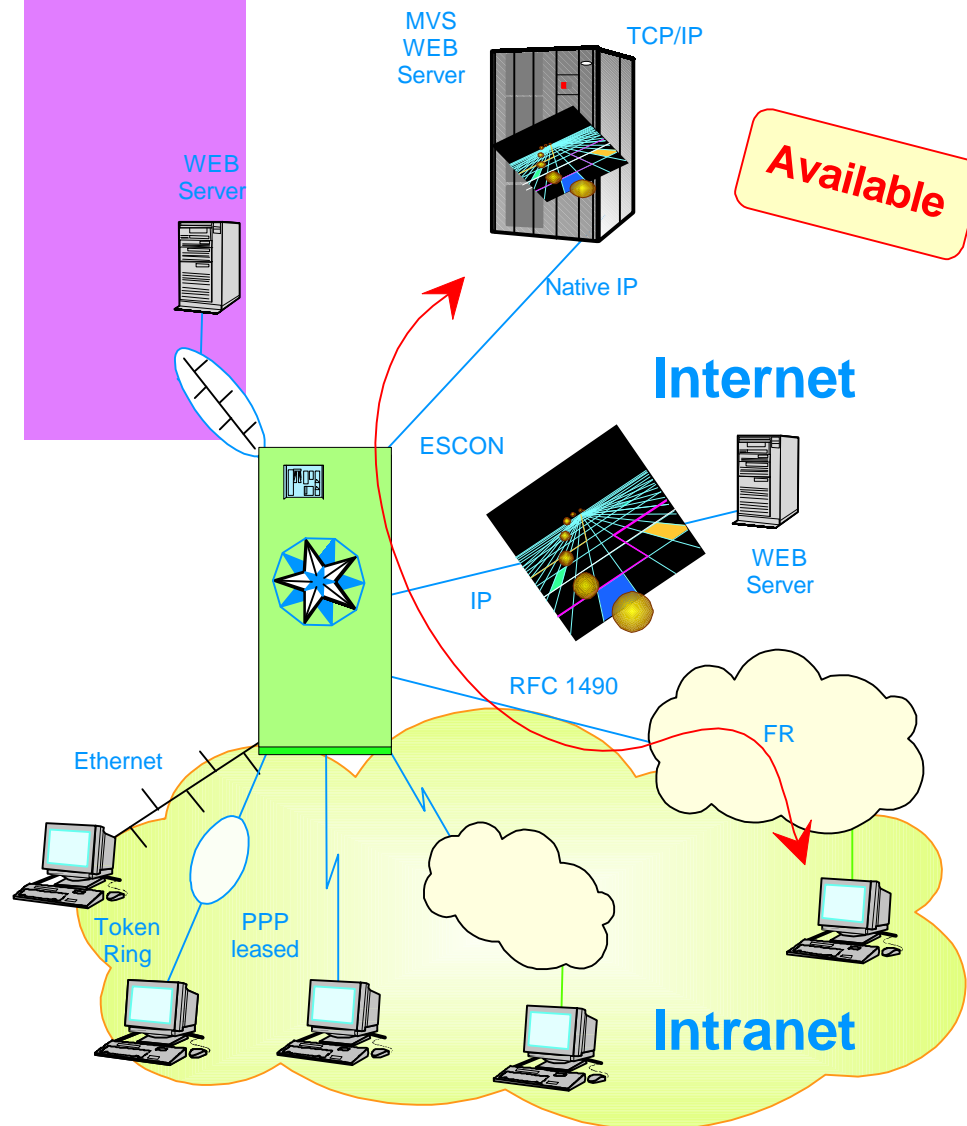
- **Connectivity increase**

- 30000 LU-LU sessions (APPN/ISR, DLUR)
- 240 lines (3746 NN and IP)

- **Prerequisite (for 30000 sessions)**

- Network Node Processor Type 2
- CBSP3

IBM 3746 - Full IP Router

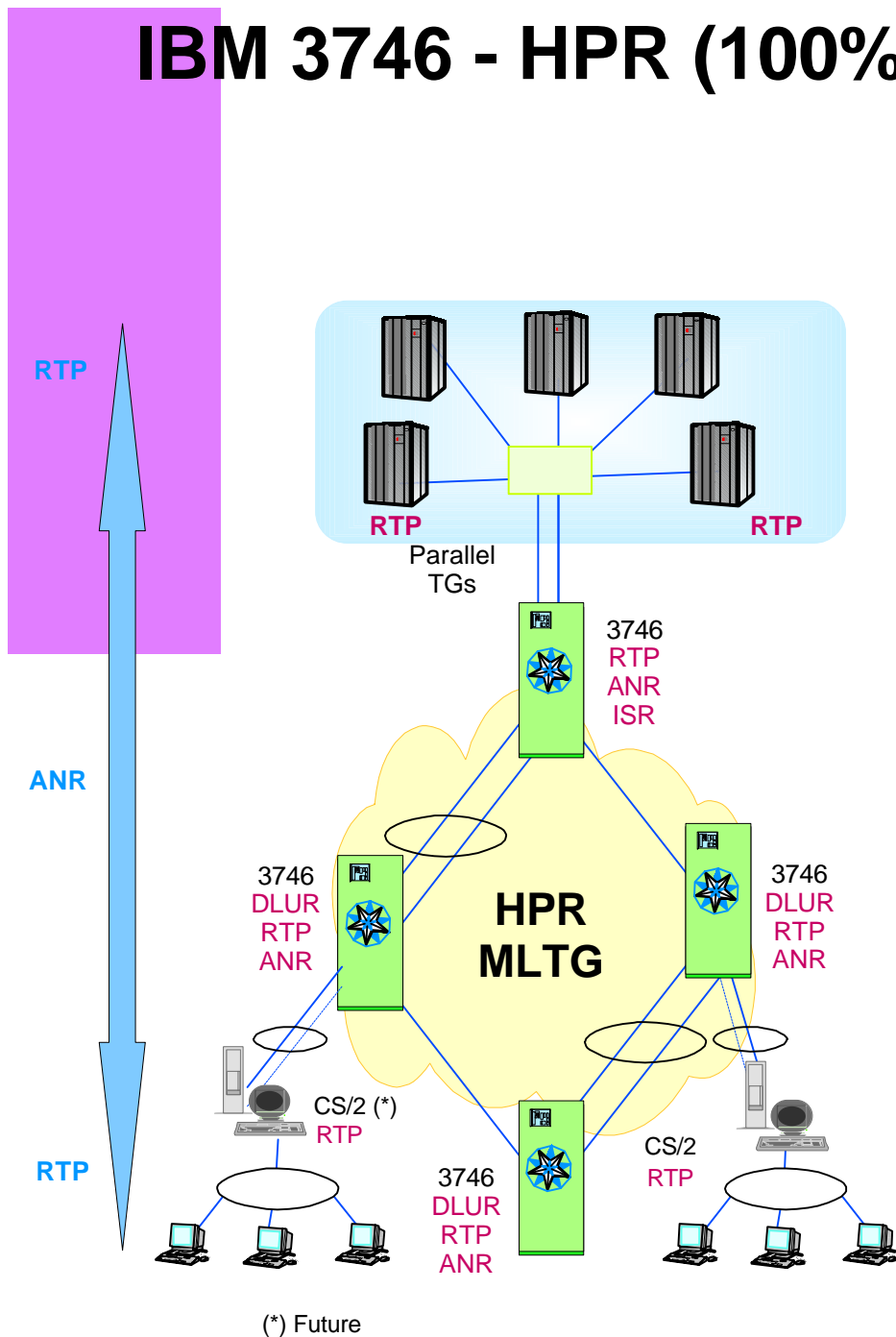


- **Native IP routing over**
 - LAN : Token-Ring, Ethernet
 - Channel: ESCON
 - WAN : Frame Relay, PPP (Leased Line)
- **RIP (V1), OSPF (V2), BGP (V4)**
- **Filtering, Access Control**
- **Multiple IP addresses per interface**
- **Header compression on WAN**
 - RFC 1144
- **Variable length subnet addresses**
- **IP application prioritization**
 - Bandwidth Reservation System (BRS)
- **Routing in the 3746 adapters**
- **Adapter sharing between IP/SNA/APPN/HPR**
- **SNMP support**
 - Netview for AIX

IBM 3746 - HPR (100% Availability Solution)

Available

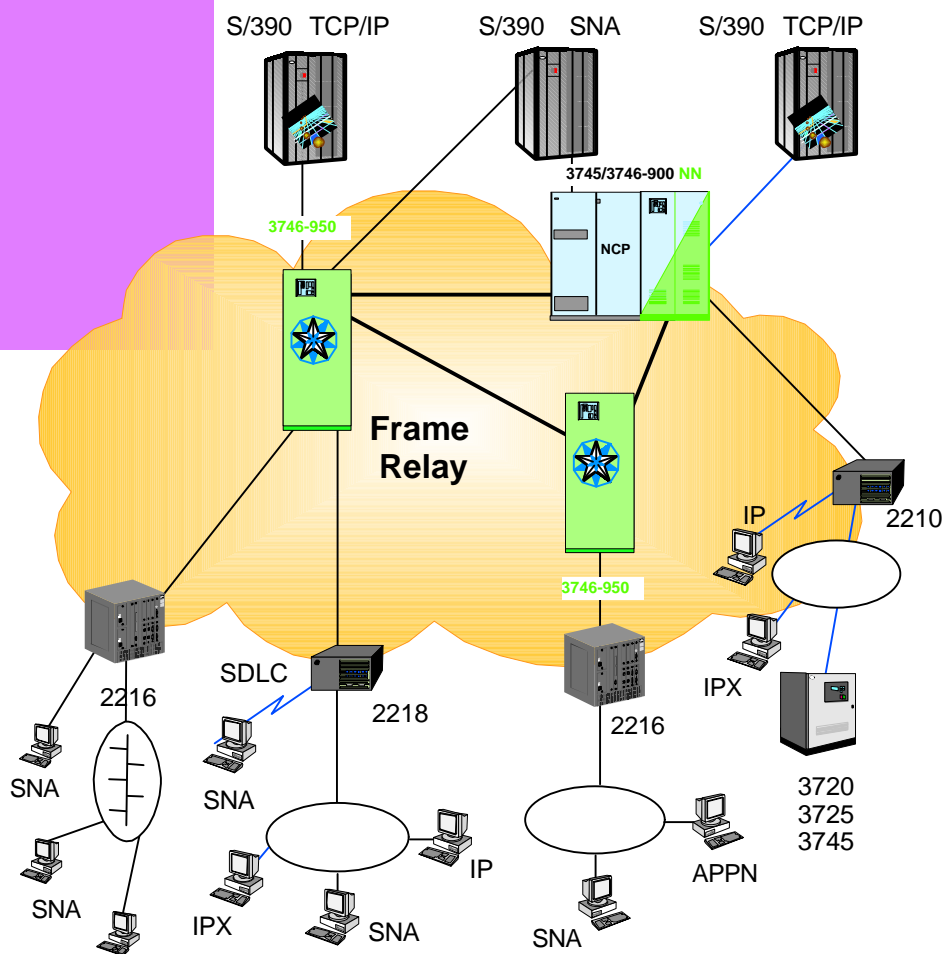
- Network availability
 - 24x7x365
 - HPR end to end non-disruptive session switching
 - Full APPN dynamics for routing
- DLUR support for non_APPN nodes
- APPN support (ISR) for non HPR nodes
- Automatic Network Routing (ANR)
 - Fast routing: x3 (vs APPN)
 - Unlimited number of ANR sessions
- Rapid Transport Protocol (RTP)
 - End to end error recovery
- Adaptive Rate Based (ARB)
 - Network congestion control (end to end)
 - Maximizes link utilisation
- MLTG HPR on SDLC, FR, X25, TR/Ethernet
 - Parallel TGs on ESCON



IBM 3746 - Frame Relay Support

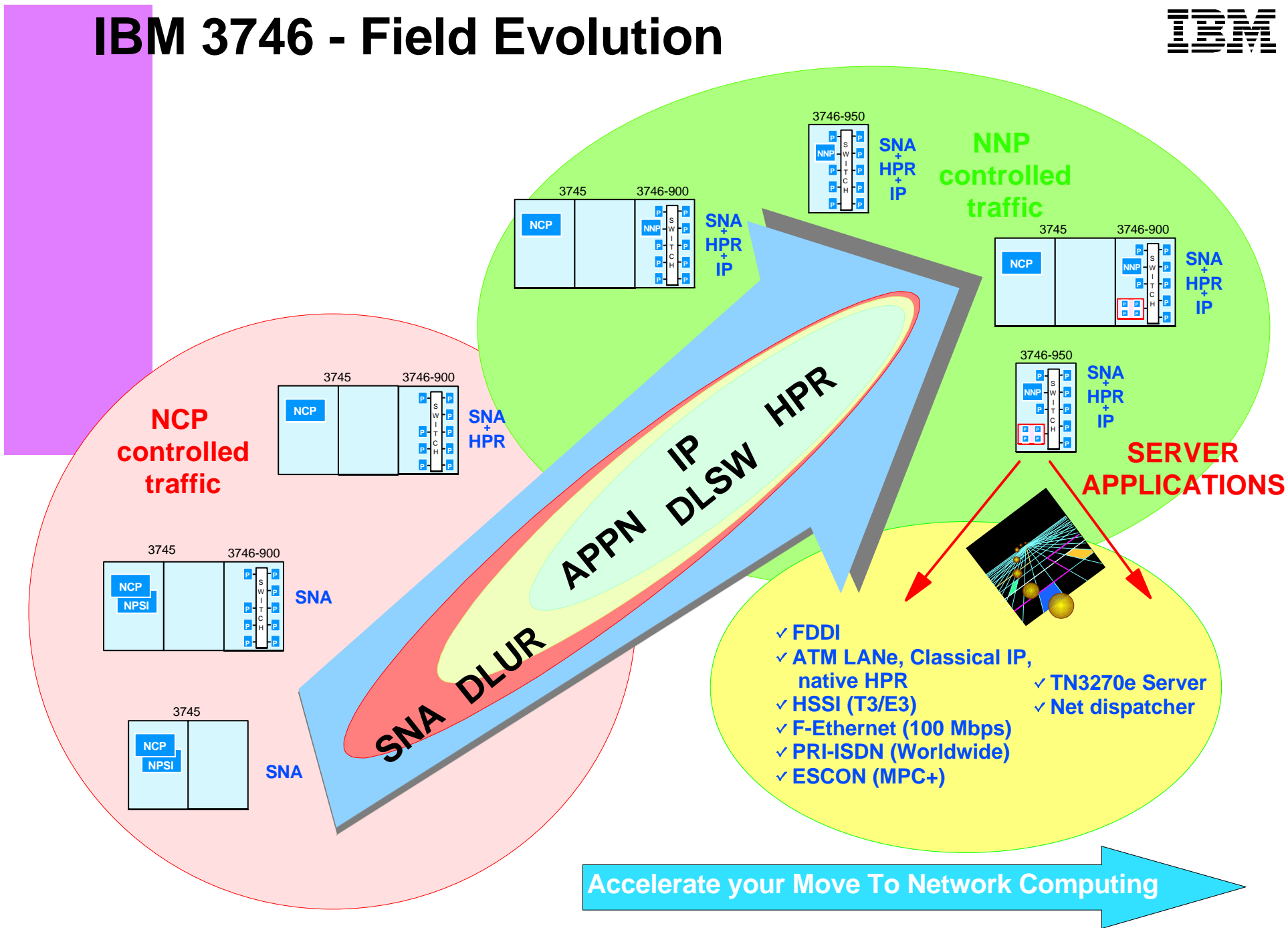


Available



- **Frame Relay Terminating Equipment**
 - Connectivity to public/private network
- **Frame Relay Frame Handler**
 - Build your own Frame Relay Switch Network
- **RFC 1490 compliant**
 - SNA/DLUR, APPN, IP, HPR
 - Multiple downstream PUs per DLCI
 - Single or multiple protocols per DLCI
 - FR-BAN for 2210, 2218, 2216
 - FR-BNN for 2217, 3174, 2216
 - FR-BAN for remote 37xx (INN)
- **FR Sharing**
 - Port and DLCI level (NCP, NN, IP)
- **First class bandwidth management**
 - BRS (IP), Comrate, CIR

IBM 3746 - Field Evolution



Accelerate your Move To Network Computing

Available 3746-9x0 deliverables

- **MKTTOOLS**

- **3746MKT**

- 3745/3746 presentations including previews
 - 3746 (Network Node + IP) flyer, 3745/3746-900 (NCP) flyer
 - 3745 and 3746 Overview (1)
 - 3745/3746 Technical Presentation

- **900NN950**

- 3745 Models A and 3746 Models 900 and 950 Planning Guide
 - CCM

- **3745M900**

- 3745 Models A and 3746 Models 900 and 950 Planning Guide

- **ITSO (redbooks)**

- **GG242536-02** 3746 APPN/HPR NN (Implementation Guide)
 - **SG244656-00** Subarea network to APPN Network migration (VTAM, 3746 ...)
 - **SG244845-01** 3746 IP (Implementation Guide)

- **FORUMS**

- **Nways9x0**

- **INTERNET WEB**

- <http://www.networking.ibm.com>

- **INTRANET WEB**

- <http://w3.lagaude.ibm.com/ccp/3746.htm>

(1) Updated 12/97

(2) Updated 12/97