

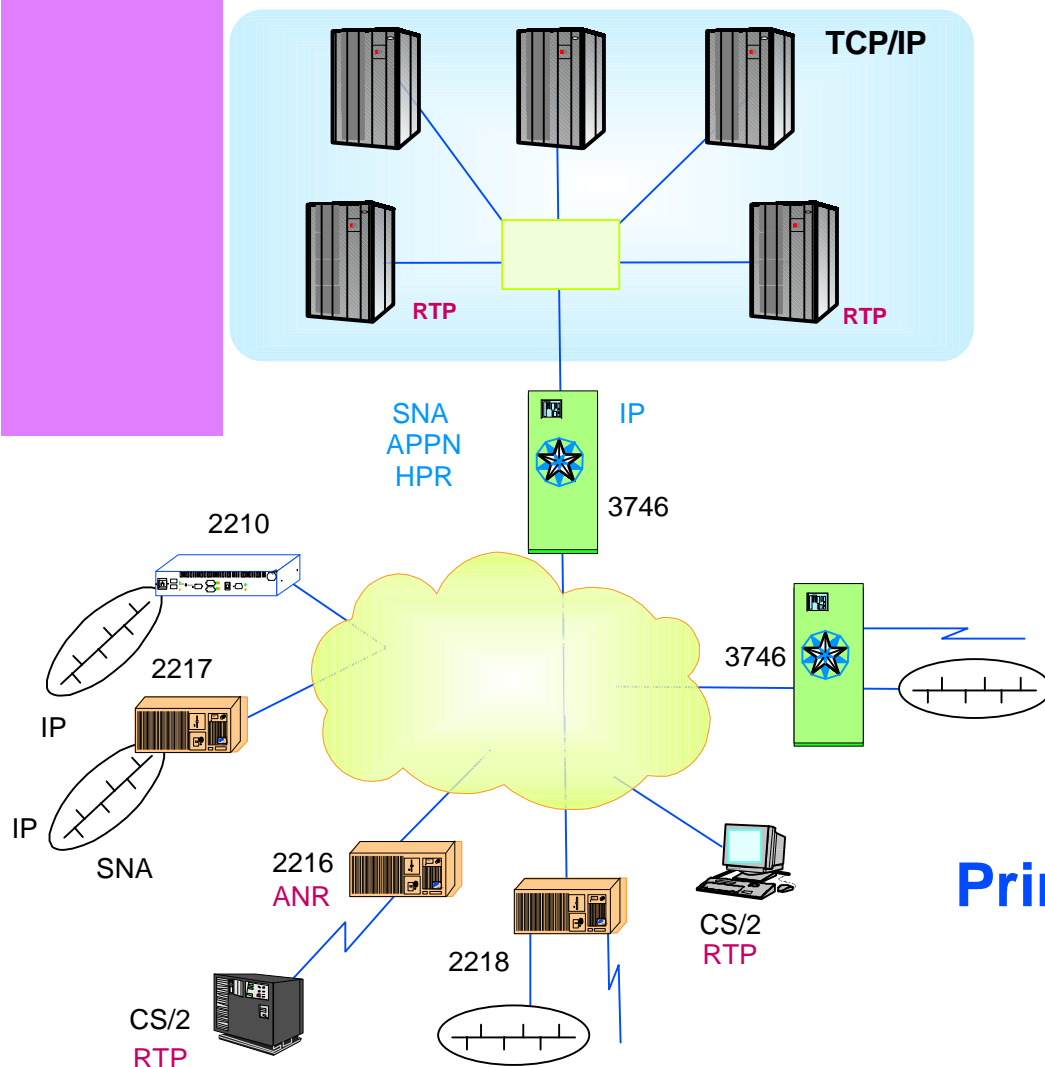
IBM 3746 Nways Multiprotocol Controllers Models 900 and 950

December 2, 1997
(Revision 4)



Network Management Support SNA, APPN/HPR and IP

IBM 3746 - Single Platform to access the Data Center



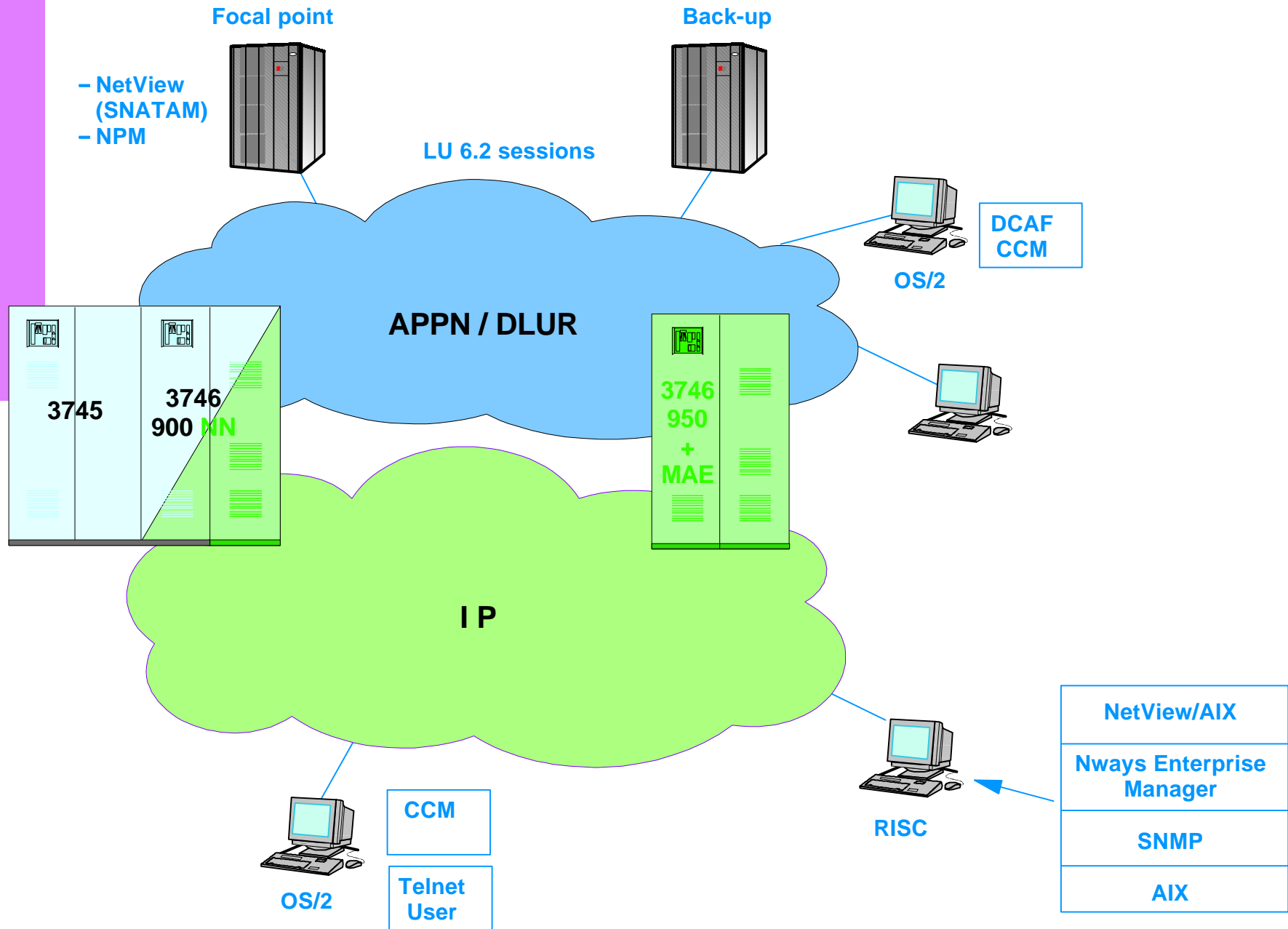
• SNA+APPN + HPR + IP

- Unique platform
- Highly reliable
- Sharing hardware
- distributed routing
- Native IP routing (No Encapsulation)
- Best of breed SNA routing
- Powerfull single configurator
- Centralised Network Management

Prime Solution to Consolidate Networks

Cost Effective Solution

IBM 3746 - Network Management Overview

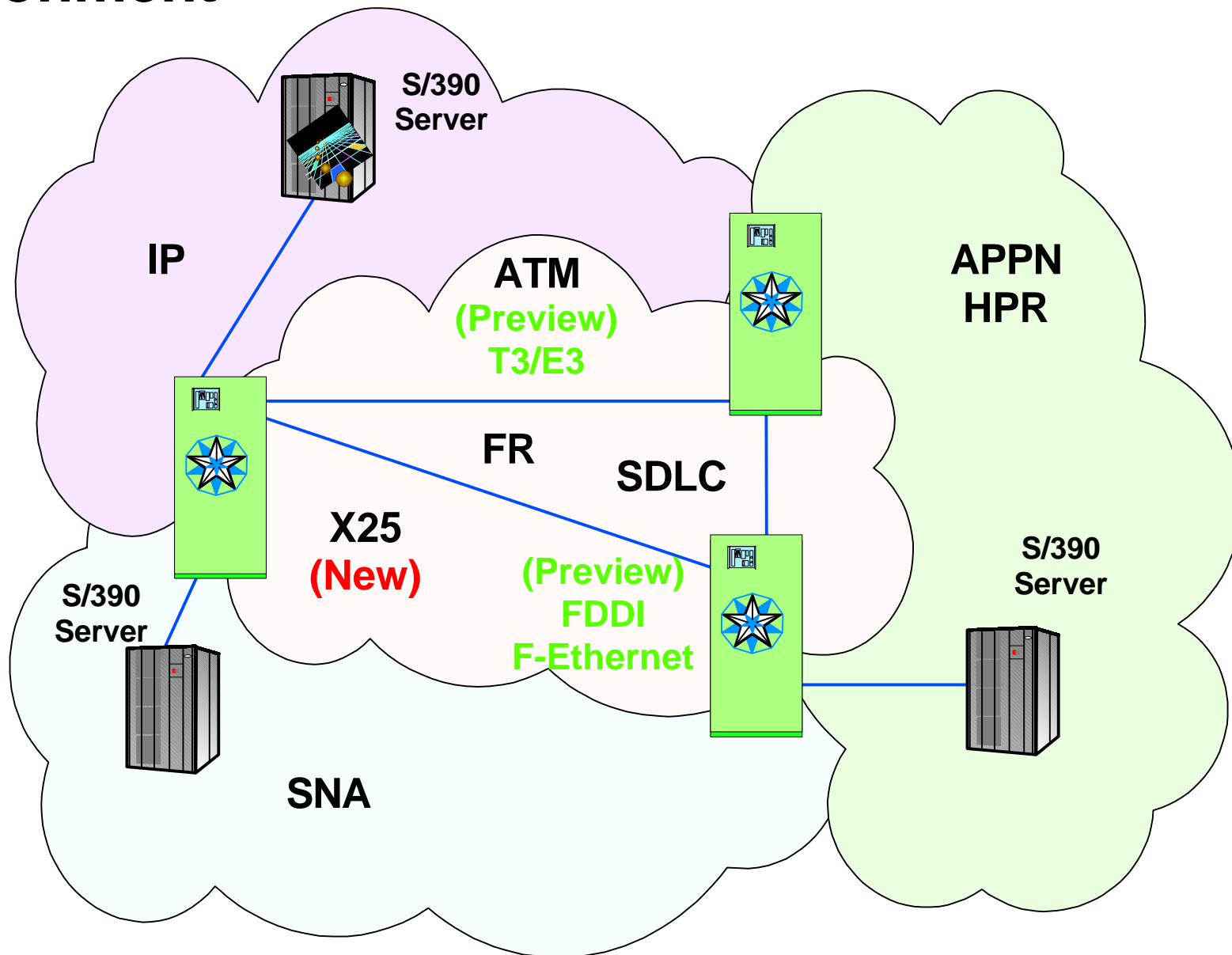


Controller Configuration and Management

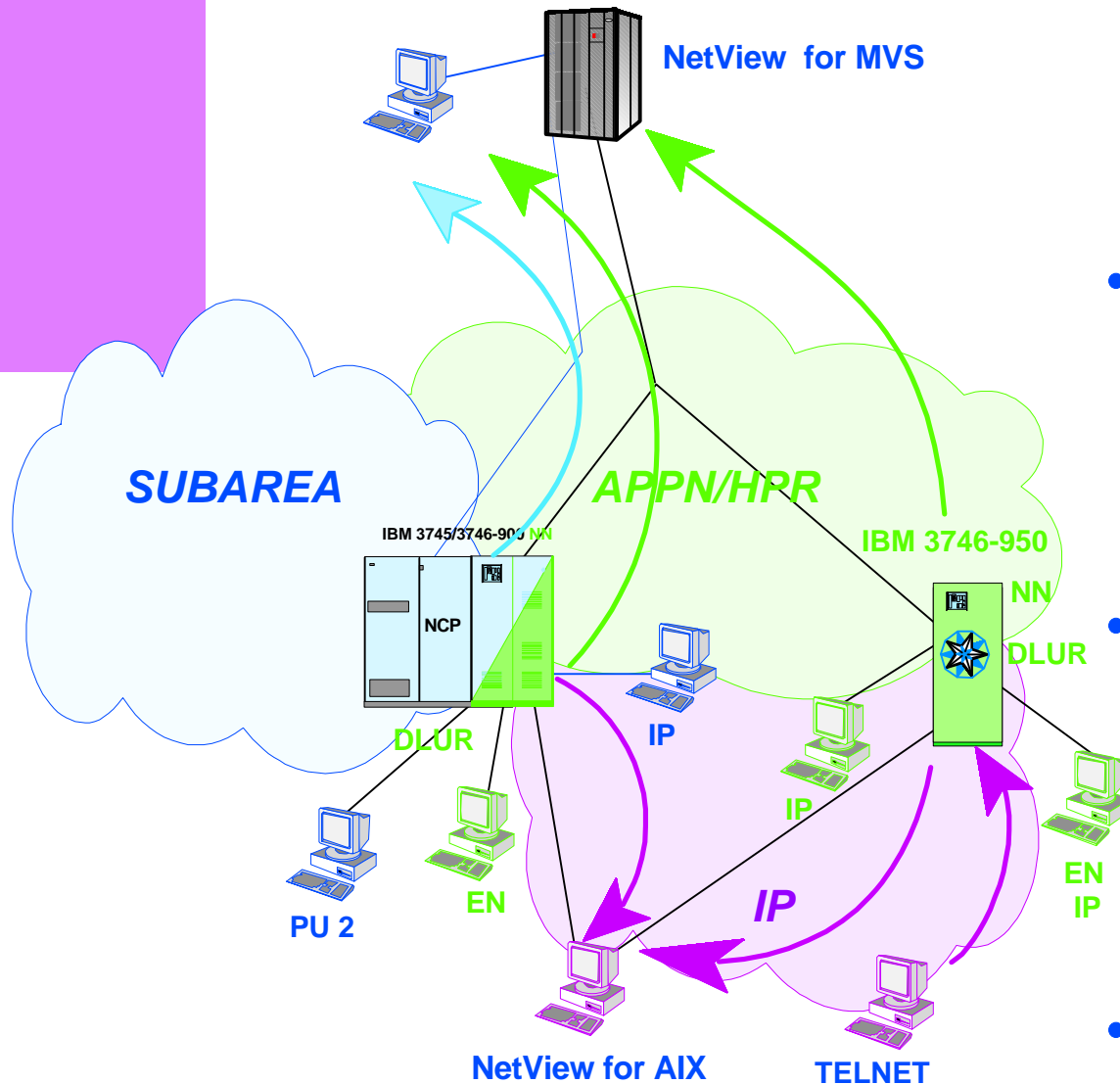


- **Single 3746 management tool**
 - APPN / HPR / IP
- **Single configurator tool**
 - Support of APPN/HPR (ANR/RTP)
 - Support of IP (ESCON, TR, RIP, OSPF, ARP, ...)
 - Support of Frame Relay (FRTE, BAN, BNN, FRFH)
 - Support of SNMP, NPM
 - ESCON (SNA/NCP, APPN/HPR, IP)
- **On-line configuration changes**
 - ESCON, LAN, WAN resources
 - Automatic deactivation/reactivation of impacted resources
- **Miscellaneous**
 - Copy function on configuration
 - SPAN of control of CCM operators
 - Search function enhanced
 - Validation vs Hardware Configuration

IBM 3746 Nways Controllers Network Environment



IBM 3746 - Network Management



- **Netview for AIX**
 - Nways Enterprise Manager (SNA alert Manager)
 - Nways Campus Manager LAN version 2
 - Nways Campus Manager Suite version 2
- **Netview for MVS**
 - SNATAM for 3746-9x0 APPN/HPR resources
 - Activation/Deactivation
 - Display
 - Topology (Network + 3746 local topology)
- **Network Performance**
 - NPM
 - all 3746-9x0 SNA/APPN/HPR resources
 - NEM (MIBs)
 - all 3746-9x0 IP resources
 - all adapters (processors + storage utilization)
- **Telnet**

IBM 3746 - Network Management System



- **3746 SNA/DLUR, APPN/HPR Network Management**
 - **NetView for MVS Support**
 - **APPN topology manager (SNATAM)**
 - Topology display from NetView for MVS
 - Operation (resource activation, deactivation, display)
 - Command automation
 - **Netview Performance Monitor (NPM)**
 - Performance counters and configuration reported for DLUR/APPN/HPR resources
 - Performance counters and configuration reported for SNA resources

- **3746 IP Network Management**
 - **NetView for AIX**
 - Nways Enterprise Manager (SNA Alert Manager)
 - Nways Campus Manager LAN version 2
 - Nways Campus Manager suite version 2
 - **SNMP**
 - 3746 Hardware Alerts (all resources)
 - Layer 3 Alerts (IP Routing)
 - IP Network Topology
 - Performance Counters (MIBs display)
 - Use of Standard MIBs (Token Ring, PPP, FR) and ESCON (IBM)
 - **Telnet support for local/remote IP resources operations with password**
 - same set of commands as IBM 2210 and IBM 2216 (GWCON)

IBM 374x - Management Options (Summary)

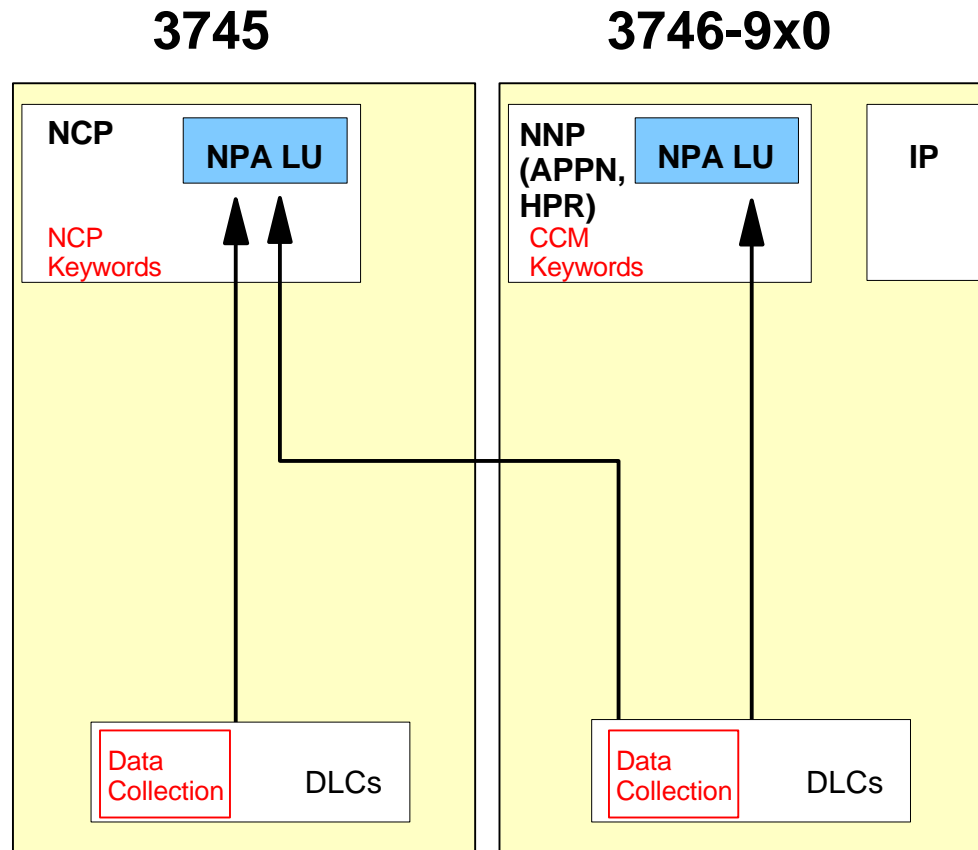


| Networking Architecture | Management Data Available | Management Software | Transport |
|-------------------------------|---|--|---------------|
| Subarea SNA | 3746 Alerts NCP Alerts NPM Data | NetView/MVS NetView/MVS NPM | SSCP-PU |
| Subarea SNA APPN/HPR (CNN) | 3746 Alerts NCP Alerts NPM Data | NetView/MVS NetView/MVS NPM | LU6.2 |
| DLUR, APPN/HPR (NNP) | 3746 Alerts NNP Alerts NPM Data | NetView/MVS NetView/MVS SNATAM, NPM | LU6.2 |
| IP (NNP) | IP Traps IP Topology | NetView/AIX NetView/AIX, MSM NEM | SNMP |
| DLUR, APP/HPR (MAE) | 3746 Alerts NNP Alerts MAE Alerts | NetView/MVS NetView/AIX | LU6.2 SNMP |
| IP (MAE) | IP Traps MAE Traps IP Topology APPN Topology | NetView/AIX NetView/AIX, MSM NetView/AIX, MSM NEM, SNATAM | SNMP |

IBM 3746 - NPM Implementation



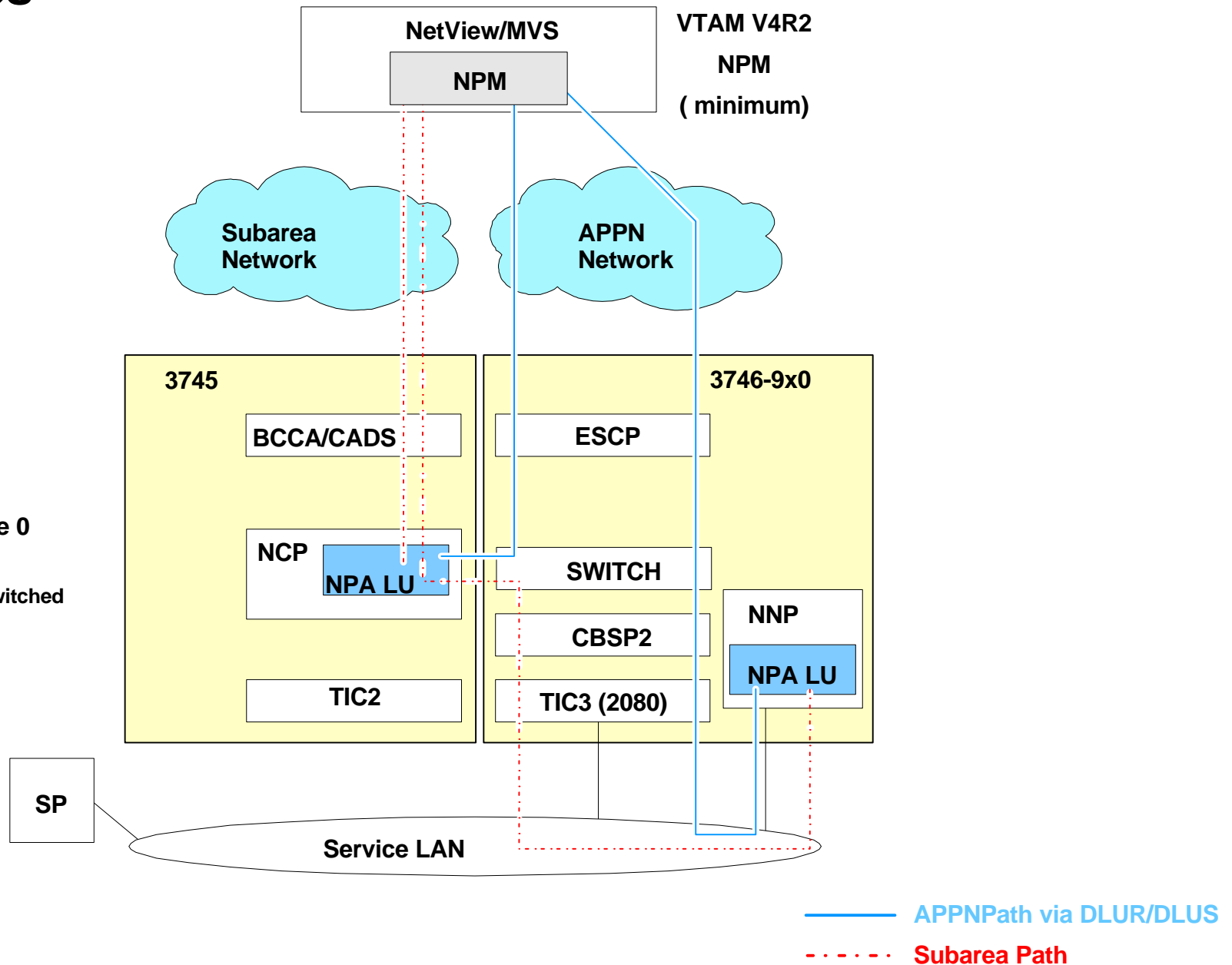
NPA LU : LU type 0



NPA : Network Performance Application

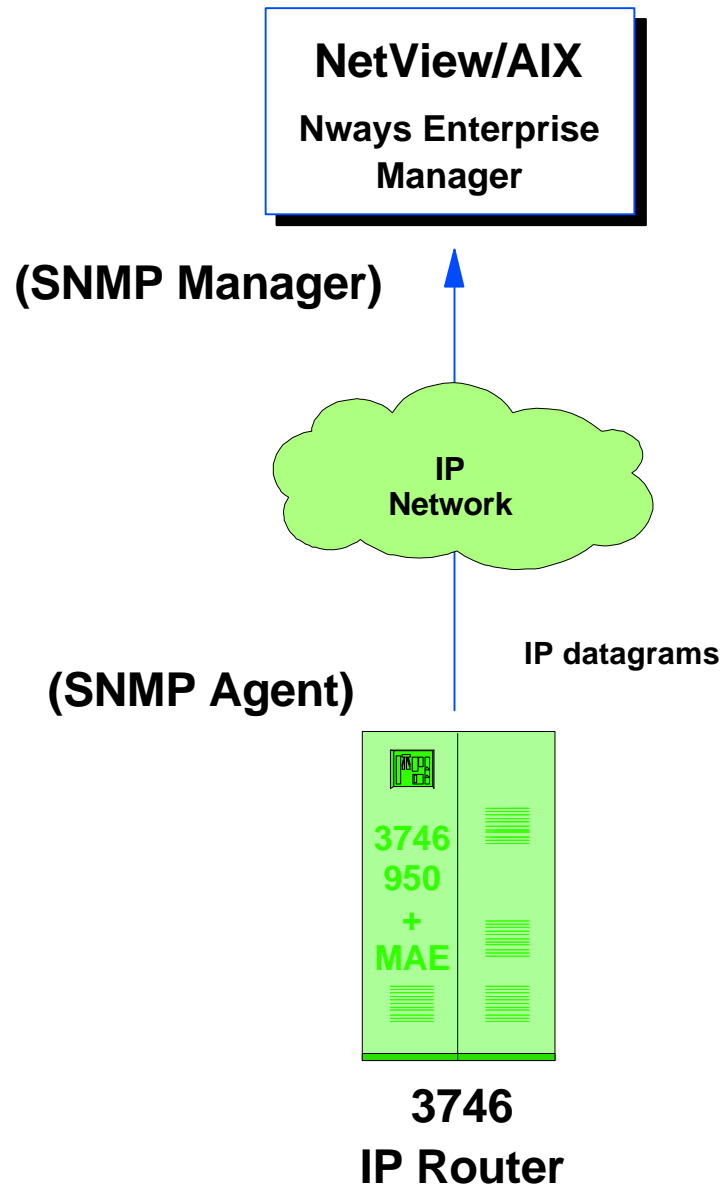
DLC: CDLC, TR 802.5, SDLC, FR, X.25, ISDN

IBM 3746 - APPN/HPR Performance Monitoring Activities



NPA LU : LU type 0
 - uses DLUR/DLUS
 - define in VTAM Switched Major Node

IBM 3746 - Managing IP Resources with SNMP



- IP Resources controlled by the 3746 IP Router (FC #5033)
 - SNMP Agent
- Netview for AIX
 - SNMP Manager
 - Nways Enterprise Manager (SNA alert Manager)
 - Alert and Fault management information
 - MIB information

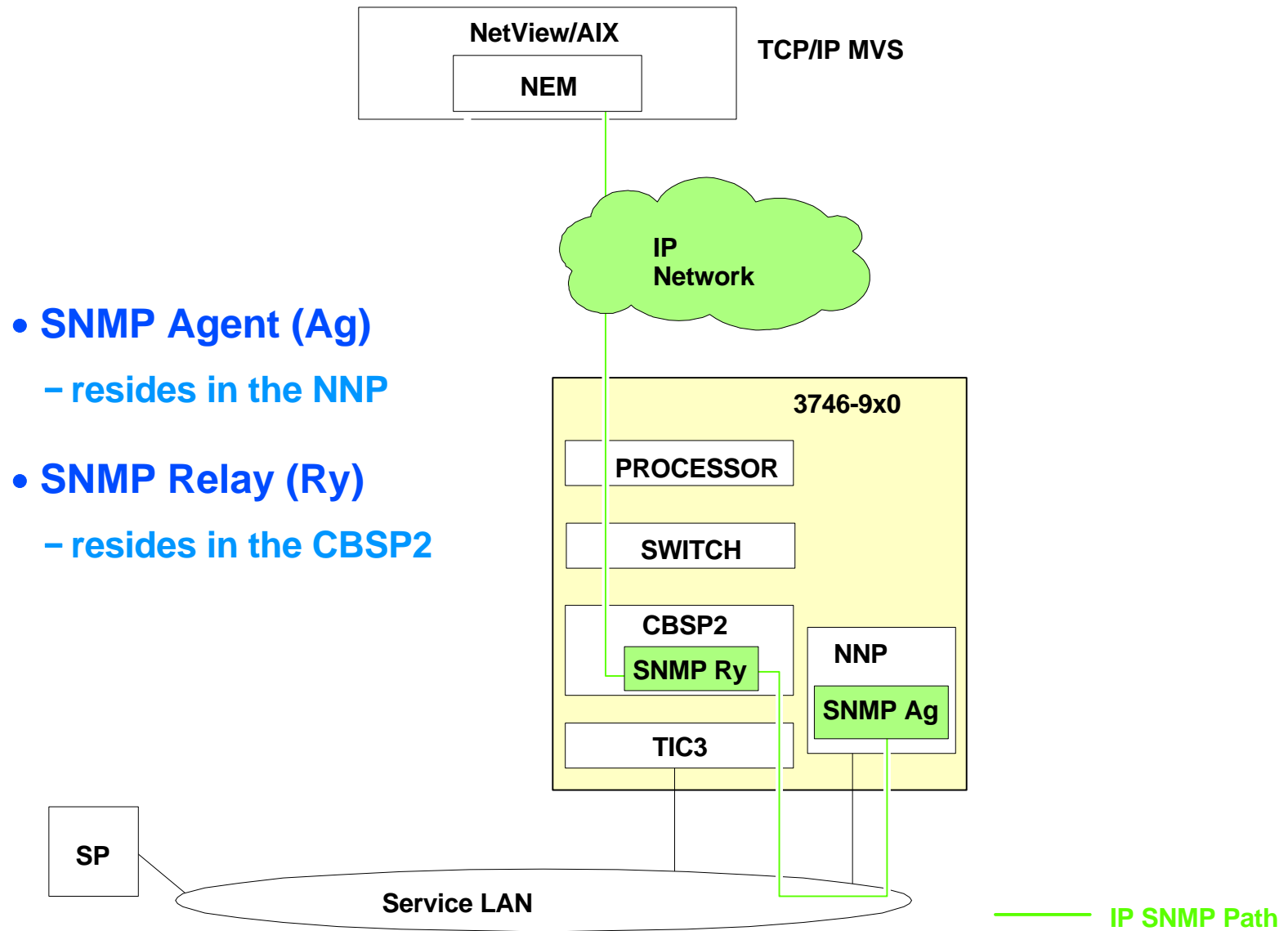
IBM 3746 - MIB Support



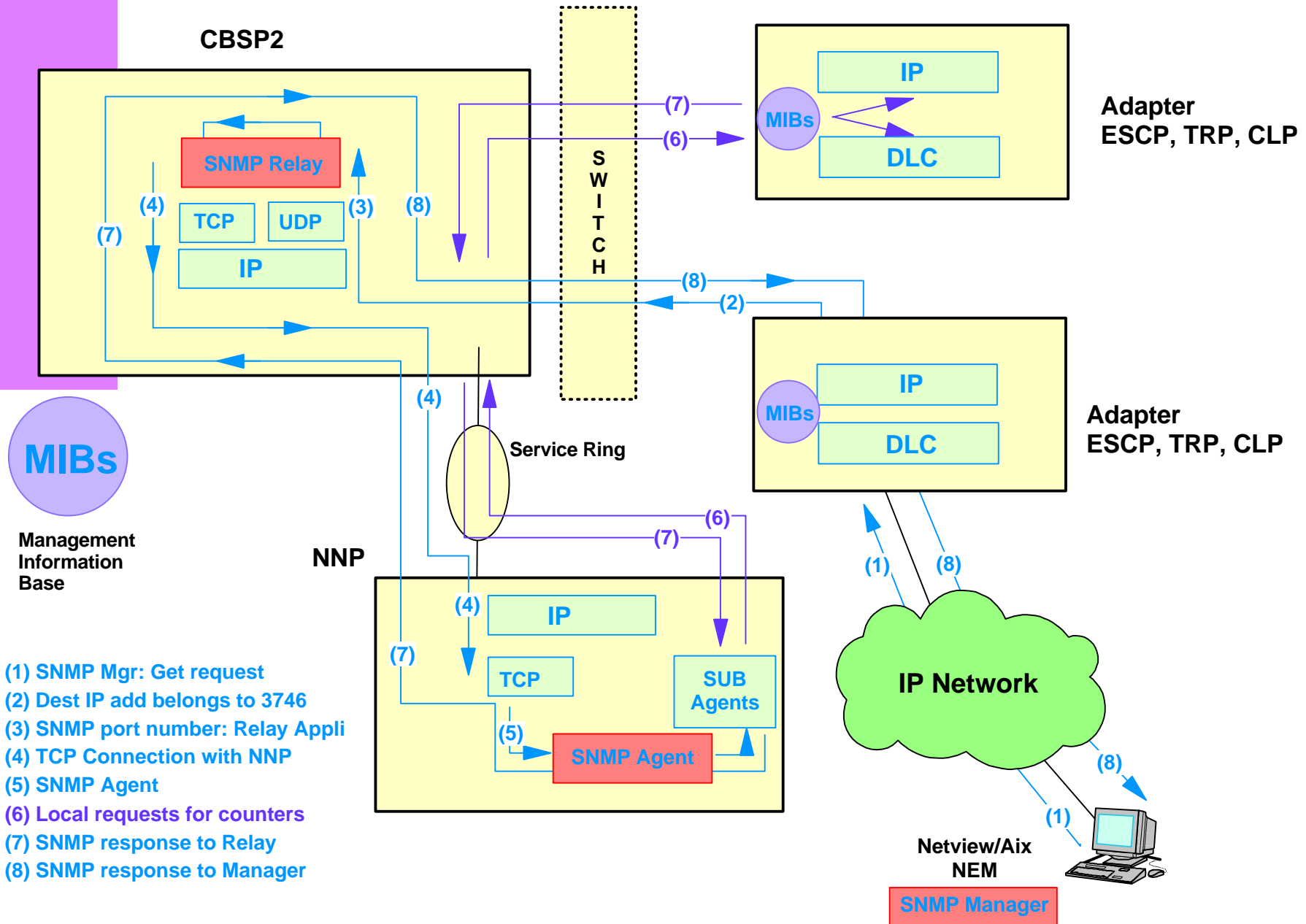
- **Management Information Base (MIB)**
 - Standard objects
 - MIB 2 (standard MIB, RFC 1213)
 - OSPF MIB (standard MIB, RFC 1253)
 - Token Ring 802.5 MIB (standard MIB, RFC 1231)
 - Frame Relay MIB (standard MIB, RFC 1315)
 - PPP MIB (standard MIB, RFC 1471)
 - ESCON MIB (IBM)
 - X.25 MIB (standard MIB, RFC 1381, RFC 1382)

- **SNMP V1 Agent support in the 3746**
 - SNMP "GET", "GET_NEXT", TRAP" commands are supported
 - The SNMP "SET" command is not supported
 - Configuration via CCM
 - configuration via TELNET interface is not supported

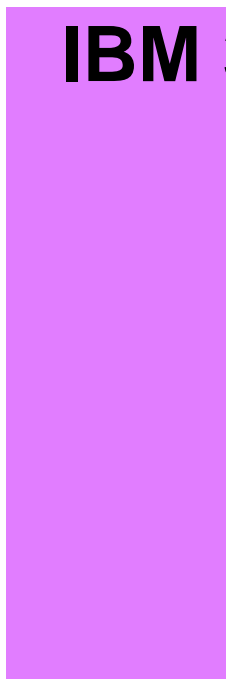
IBM 3746 - IP SNMP Path to NetView for AIX



IBM 3746 - SNMP Flows



IBM 3746 - SNMP Distributed Agents



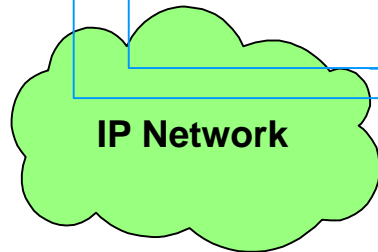
DPI (V2)
Distributed
Programming
Interface
(RFC 1592)



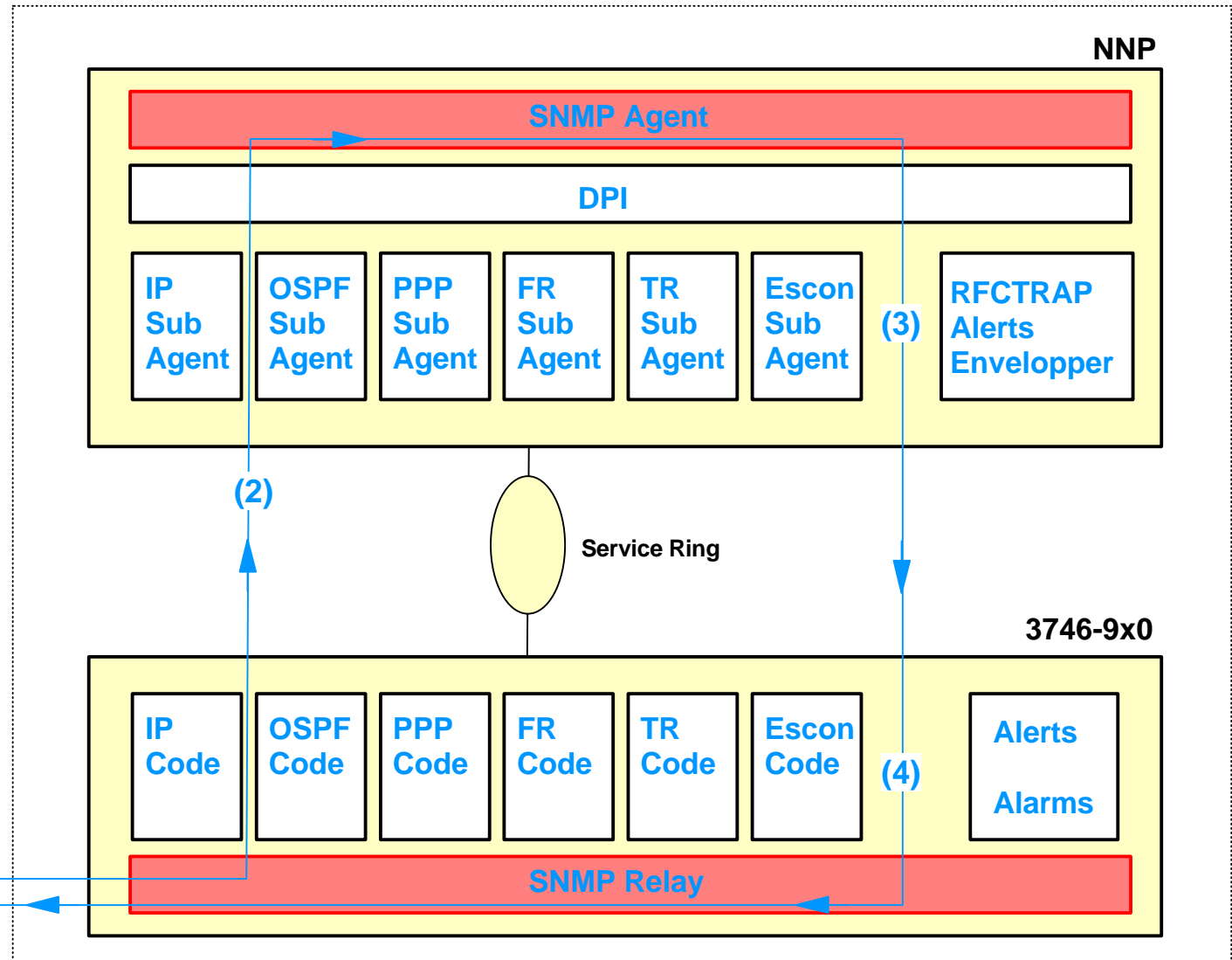
Netview/Aix
NEM

SNMP Manager

(1)



IP Network



3746 IP Router

IBM 3746 - RFCs Support



- **The 3746 IP Router supports the following RFCs :**
 - RFC 768 : UDP
 - RFC 791 : IP
 - RFC 792 : ICMP
 - RFC 793 : TCP
 - RFC 826-1042 : ARP
 - RFC 919- 922 : Broadcast including:
 - RFC 925 : ARP Subnet Routing:
 - RFC 950 : Subnetting
 - RFC 951-1542 : BOOTP Relay Agents
 - RFC 1009 : Internet Gateways
 - RFC 1027 : Proxy ARP(Subnet Routing)
 - RFC 1058 : RIP V1
 - RFC 1112 : IP Multicast
 - RFC 1122 : Requirements for Internet Hosts -- Communication Layers
 - RFC 1144 : TCP/IP header compression
 - RFC 1155 : Structure of Management Information
 - RFC 1157, 1441-1450, 1452 : SNMP v2
 - RFC 1191 : Path MTU discovery
 - RFC 1213 : MIB-II for TCP/IP-based Internet
 - RFC 1231 : Token Ring MIB
 - RFC 1253 : OSPF V2 MIB
 - RFC 1315 : Frame Relay MIB
 - RFC 1331-1332 : PPP
 - RFC 1471 : PPP IP MIB support
 - RFC 1490 : Frame Relay
 - RFC 1583-1584 : OSPF V2 & Multicast Extensions to OSPF
 - RFC 1592 : DPI
 - RFC 1654 : BGP V4
 - RFC 1716 : Towards Requirements for IP Routers

IBM 3746 - CCM IP Management



The screenshot shows the CCM IP Management application window. The menu is open, and the 'Join...' option is highlighted. The interface includes a menu bar with 'File', 'Configuration', 'Management', 'Options', and 'Help'. The main area contains a grid of IP addresses and checkboxes, with a status bar at the bottom.

| IP Address | IP Address | IP Address | IP Address | IP Address | IP Address | IP Address | IP Address | IP Address | IP Address | IP Address | IP Address |
|--------------------------|--------------------------|--------------------------|--------------------------|--------------------------|--------------------------|--------------------------|--------------------------|--------------------------|--------------------------|--------------------------|--------------------------|
| <input type="checkbox"/> | <input type="checkbox"/> | <input type="checkbox"/> | | | | | | | | | |
| 2752 | 2784 | 2816 | | | | | | | | | |
| <input type="checkbox"/> | <input type="checkbox"/> | <input type="checkbox"/> | <input type="checkbox"/> | <input type="checkbox"/> | <input type="checkbox"/> | <input type="checkbox"/> | <input type="checkbox"/> | <input type="checkbox"/> | <input type="checkbox"/> | <input type="checkbox"/> | <input type="checkbox"/> |
| 2368 | 2400 | 2432 | 2464 | 2496 | 2528 | 2560 | 2592 | 2624 | | | |
| | <input type="checkbox"/> | <input type="checkbox"/> | <input type="checkbox"/> | <input type="checkbox"/> | <input type="checkbox"/> | <input type="checkbox"/> | <input type="checkbox"/> | <input type="checkbox"/> | <input type="checkbox"/> | <input type="checkbox"/> | <input type="checkbox"/> |
| | 2048 | 2080 | 2112 | 2144 | 2176 | 2208 | 2240 | 2272 | 2304 | | |

Menu items:

- Ports...
- Stations...
- Non intermediate sessions...
- APPN specifics →
- IP specifics →
- Activate all resources...
- Deactivate all resources (normal mode)...
- Deactivate all resources (forced mode)...
- Configuration...
- Dump routing table...
- Ping...
- Restart...
- Route...
- Traceroute...
- OSPF →
- BGP →
- Advertisement...
- Area...
- AS-external...
- Database...
- Interface...
- Multicast →
- Neighbor...
- Routers...
- Size...
- Statistics...
- Weight...
- Join...
- Leave...
- Mcache...
- Mgroups...
- Mstat...

Status bar: Multicast join command choice

IBM 3746 - CCM APPN/HPR Management



Opened configuration
Opened reference C

| | | | | | | | | | | | |
|--------------------------|--------------------------|--------------------------|--------------------------|--------------------------|--------------------------|--------------------------|--------------------------|--------------------------|--------------------------|--------------------------|--------------------------|
| <input type="checkbox"/> | <input type="checkbox"/> | <input type="checkbox"/> | | | | | | | | | |
| 2752 | 2784 | 2816 | | | | | | | | | |
| <input type="checkbox"/> | <input type="checkbox"/> | <input type="checkbox"/> | <input type="checkbox"/> | <input type="checkbox"/> | <input type="checkbox"/> | <input type="checkbox"/> | <input type="checkbox"/> | <input type="checkbox"/> | <input type="checkbox"/> | <input type="checkbox"/> | <input type="checkbox"/> |
| 2368 | 2400 | 2432 | 2464 | 2496 | 2528 | 2560 | 2592 | 2624 | 2656 | 2688 | 2720 |
| <input type="checkbox"/> | <input type="checkbox"/> | <input type="checkbox"/> | <input type="checkbox"/> | <input type="checkbox"/> | <input type="checkbox"/> | <input type="checkbox"/> | <input type="checkbox"/> | <input type="checkbox"/> | <input type="checkbox"/> | <input type="checkbox"/> | <input type="checkbox"/> |
| 2048 | 2080 | 2112 | 2144 | 2176 | 2208 | 2240 | 2272 | 2304 | 2336 | | |

Display topology choice