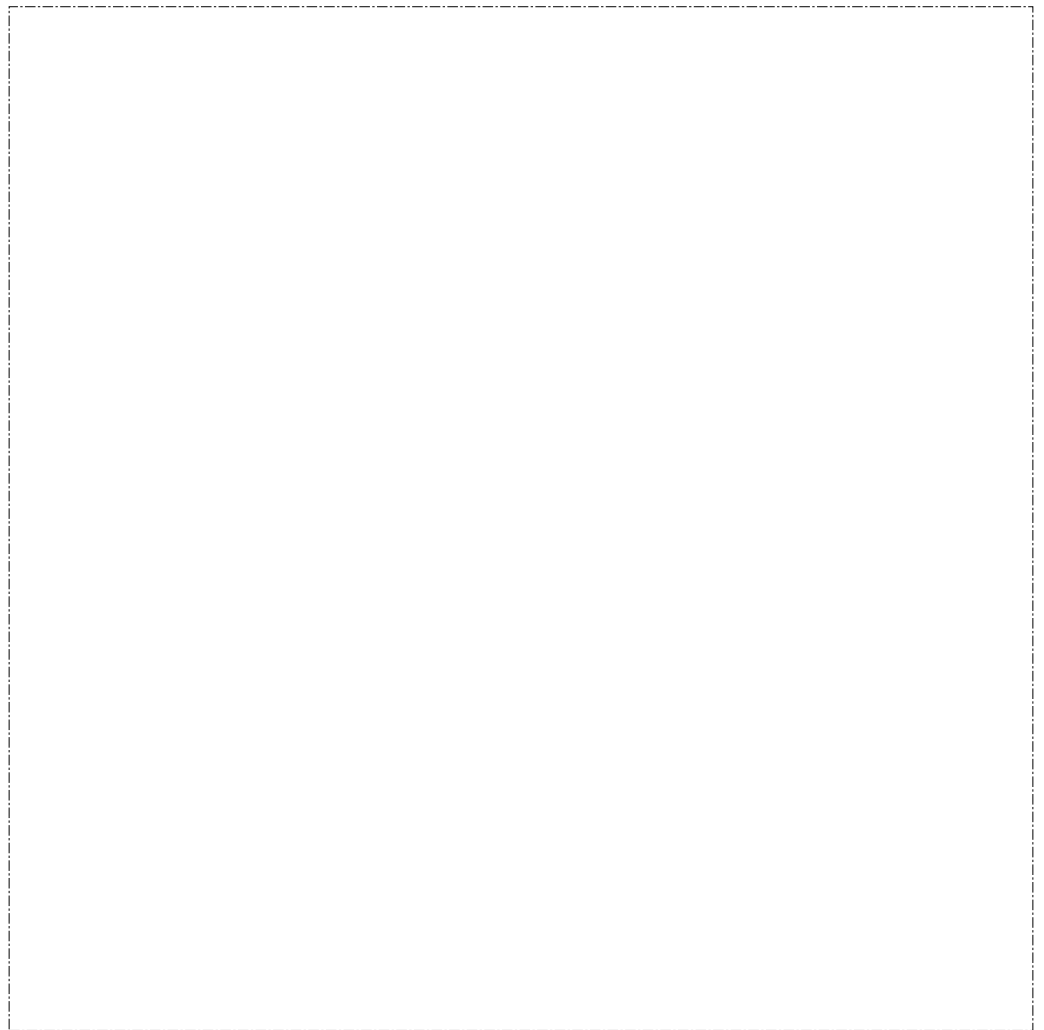


Setup and Problem Determination Guide





Multiprotocol Switched Services (MSS) Server

GA27-4140-01

Setup and Problem Determination Guide

Note

Before using this information and the product it supports, be sure to read the general information under Appendix A, "Notices" on page 7 and Appendix B, "Safety Information" on page 11.

Second Edition (January 1997)

This edition applies to the Version 1 Release 1.1 of the 8210 Nways Multiprotocol Switched Services Server.

Order publications through your IBM representative or the IBM branch office serving your locality. Publications are not stocked at the address given below.

A form for readers' comments appears at the back of this publication. If the form has been removed, address your comments to:

Department CGF
Design & Information Development
IBM Corporation
PO Box 12195
RESEARCH TRIANGLE PARK NC 27709
USA

When you send information to IBM, you grant IBM a nonexclusive right to use or distribute the information in any way it believes appropriate without incurring any obligation to you.

© **Copyright International Business Machines Corporation 1996, 1997. All rights reserved.**

Note to U.S. Government Users — Documentation related to restricted rights — Use, duplication or disclosure is subject to restrictions set forth in GSA ADP Schedule Contract with IBM Corp.

About This Guide

This guide explains how to set up the 8210 Nways Multiprotocol Switched Services Server.

Who Should Use This Book

This guide is intended for the person responsible for installing the MSS Server. It is assumed that this person is familiar with installation and cabling charts.

Setting Up the MSS Server

These instructions explain how to unpack and rack-mount or surface-mount the MSS Server, how to attach the cables, and to verify that the hardware is working properly.

If you have any problems during setup, refer to Figure 1 on page 6.

Setup Notations

Before you begin, you need to be aware of the following notations concerning cabling and rack-mounting the MSS Server.

Cabling

ATM or FDDI adapter cables are not provided and must be separately ordered. You can order them through your IBM representative.

Rack-Mounting

If you choose rack-mounting, you must provide the rack; it is not provided with the MSS Server.

You can use any EIA standard 19-inch rack. The rack can be open or closed. However, if you choose a closed rack, you must make sure that enough air flows through the MSS Server. Covers on the front of the rack that would not let air reach the MSS Server must be removed or modified to let air pass. Similarly, unvented rear rack covers that would not let air exit the MSS Server or would cause back pressure to build up from several machines, must not be used.

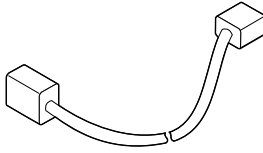
1. Unpack and verify contents

Unpack the MSS Server and verify that the following items are included:

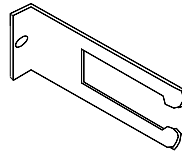
Hardware

One or two adapters (as ordered and installed by the manufacturer)

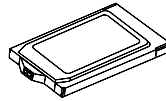
- 155 Mbps ATM adapter, multimode
- 155 Mbps ATM adapter, singlemode
- Dual ring optical fiber FDDI adapter



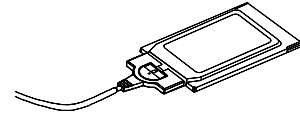
Power
Cord



Cable
Management
Bracket



PCMCIA
Hard Drive



PCMCIA
Modem and
Cable

If any item is missing or damaged, contact your place of purchase.

Documentation

In addition to this document, the package should include the following items:

- *CAUTION: Safety Information-Read This First, SD21-0030*
- *MSS Server Operations Reference Card, GX27-4017*
- *Configuration Program User's Guide for Nways Multiprotocol Access, Routing, and Switched Services, GC30-3830*
- *8210 Nways MSS Server Softcopy Library CD-ROM, SK2T-0378*

In addition to the above documentation, there may be Release Notes that describe changes which were received too late to be printed in the manuals.

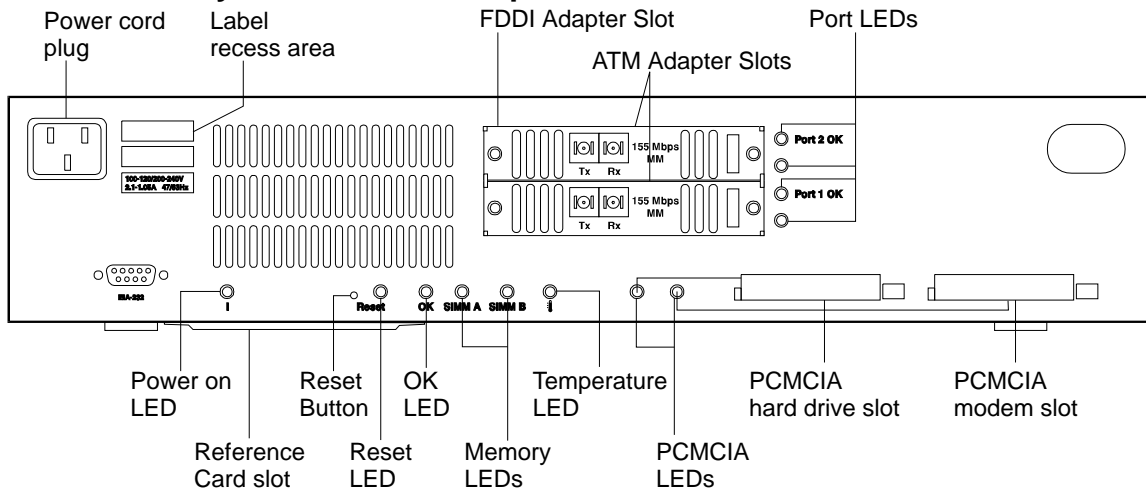
Software

- Configuration Tool Program package (contains diskettes and information)

You will also need

- One adapter cable for each adapter (separately purchased and not in this shipping container)
- A Rack Inventory Chart and Cabling Chart from your network administrator

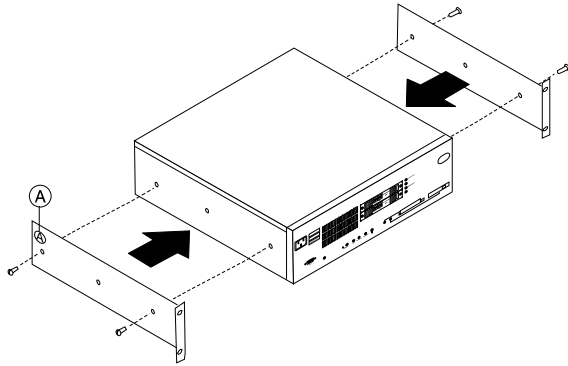
2. Familiarize yourself with front panel



Important. Before you begin installing the MSS Server, read Appendix B, “Safety Information” on page 11.

Familiarize yourself with the front panel of the MSS Server. If you intend to rack-mount your MSS Server, continue with Step 3. If you intend to surface-mount your MSS Server, continue with Step 5.

3. Position mounting brackets

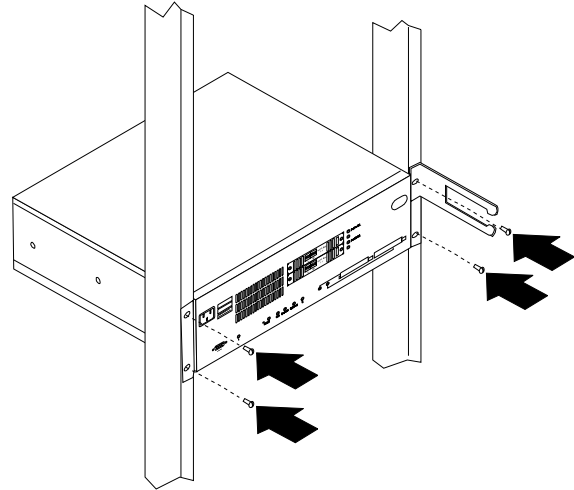


Remove the four screws (two on each side) that attach the rack-mounting brackets.

Note: Do not remove the center screw, because it secures the cover.

Each rack-mounting bracket is labeled A or B. The letters can be seen after the brackets have been removed and rotated. Rotate the brackets and reattach them as shown.

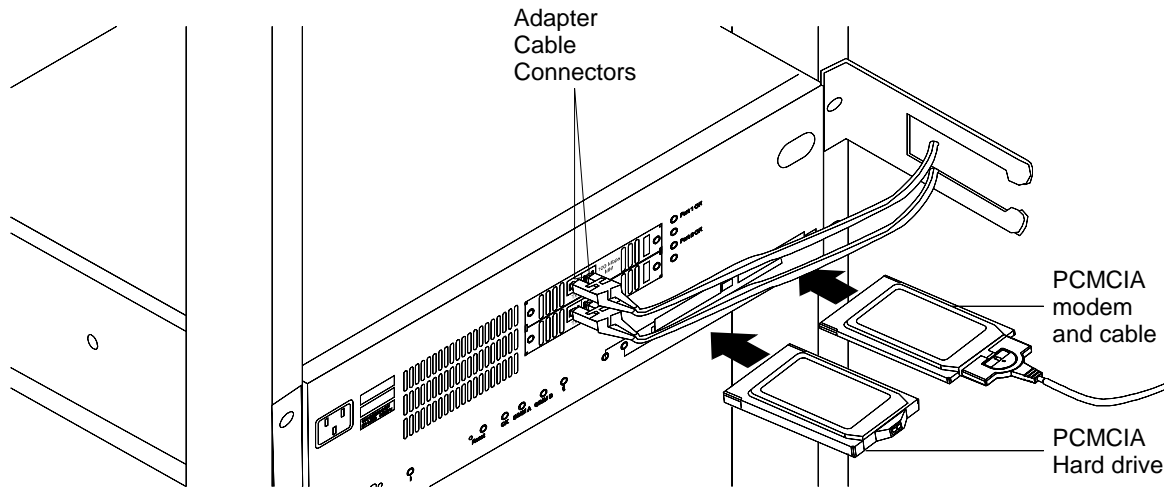
4. Install unit in rack



Use the Rack Inventory Chart provided by your network administrator to determine the location or place to mount the MSS Server in the rack.

Position the unit in the rack and tighten the bracket/rack screws.

5. Install PCMCIA devices and attach cables

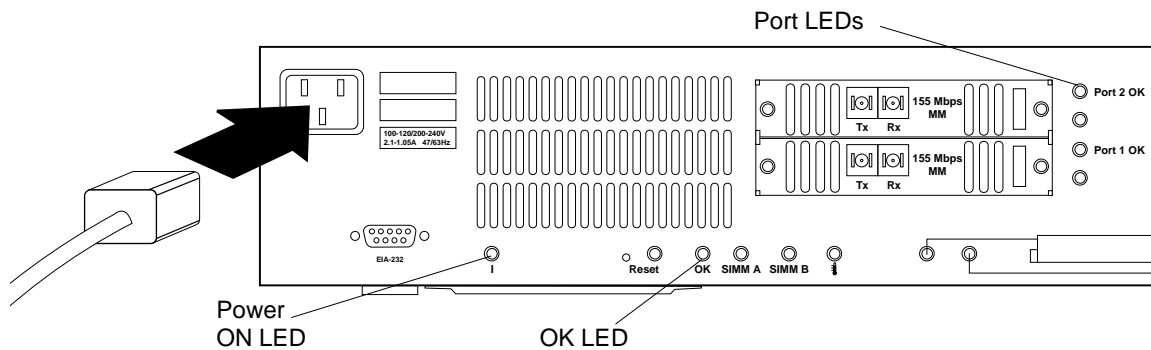


Note: Proper installation according to these instructions is a condition for compliance with the regulations of electromagnetic interference (see Appendix A, "Notices" on page 7 for additional information.).

Install the PCMCIA hard drive in the left PCMCIA slot and verify that it is correctly seated in the slot. Install the PCMCIA modem in the right PCMCIA slot and verify that it is correctly seated in the slot. Install the modem cable and pass it through the cable management bracket.

Attach the adapter cables to the corresponding adapter ports and pass the cables through the cable management bracket.

6. Apply power to the unit and verify correct operation of the unit

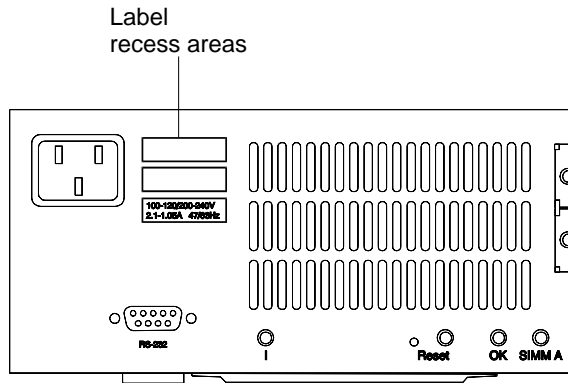


Connect the power cord to the ac power cord plug on the front of the unit. Connect the power cord to a power source, wait one minute, and verify that:

- The Power on LED labeled | (at right of the RS-232 connector) is ON (green).
- The OK LED is ON (green).

See Figure 1 on page 6 if the LEDs are not lighted as described above.

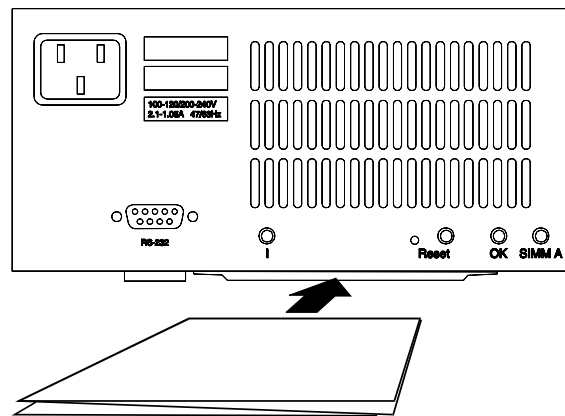
7. Install labels



Place labels in the recesses on the front cover to identify the unit per instructions received from your network administrator.

These labels usually reflect the inventory and serial numbers of the device.

8. Record Information



Transfer relevant information from the Cabling Chart and the unit labels to the fanfold reference card and place it in the slot on the underside of the MSS Server.

Hardware installation is complete.

9. Contact Network Administrator

The MSS Server must be configured to be fully operational. Inform your network administrator that the unit has been installed and is operating correctly. Provide your network administrator with the telephone number of the modem.

Your network administrator must download a configuration file to the unit for it to function. The *Command Line Interface Volume 1 User's Guide and Protocol Reference* gives instructions for building and downloading the configuration file.

Hardware Installation and Configuration are complete.

Problem Solving

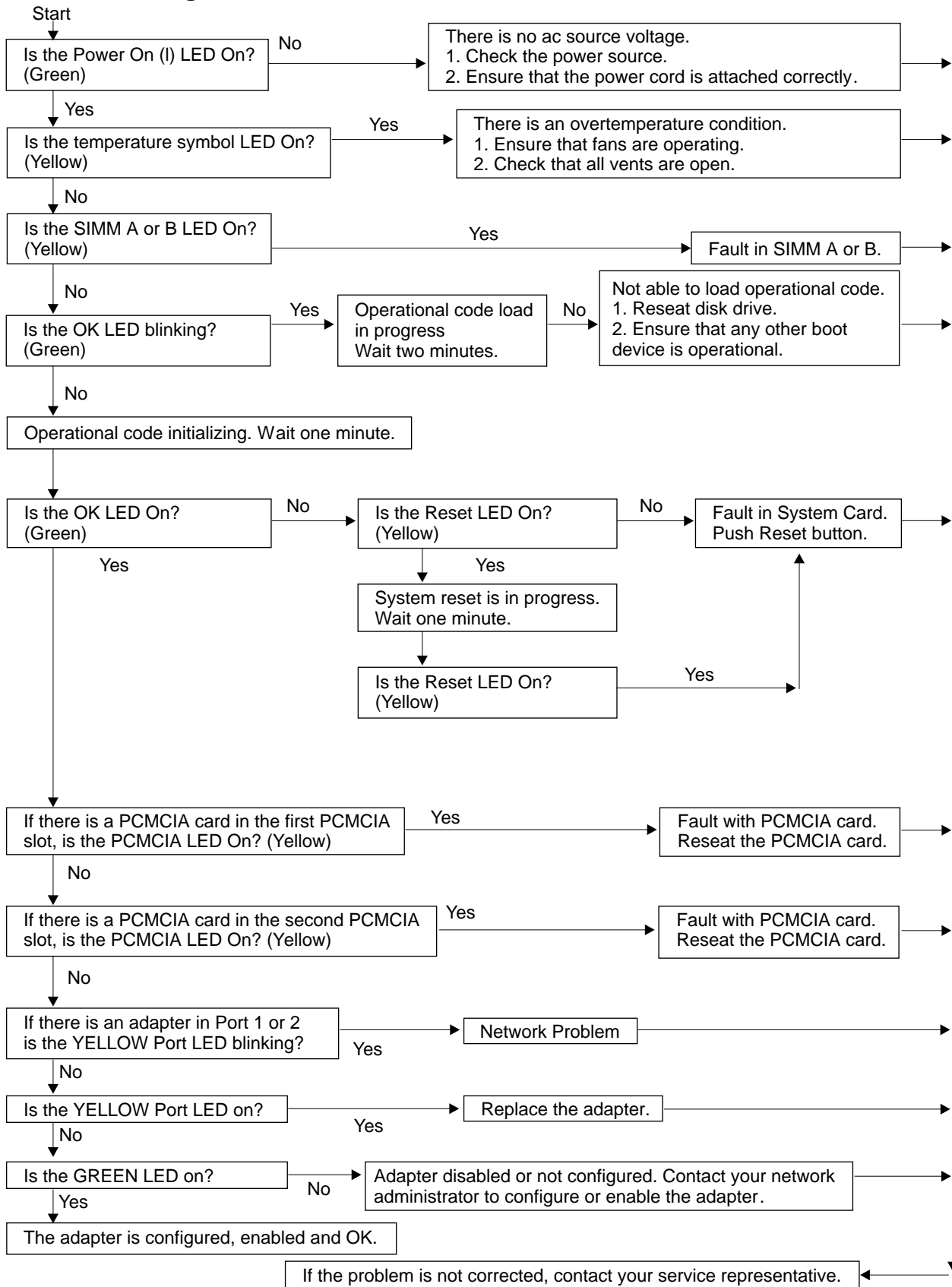


Figure 1. Problem Solving

Appendix A. Notices

References in this publication to IBM products, programs, or services do not imply that IBM intends to make these available in all countries in which IBM operates. Any reference to an IBM product, program, or service is not intended to state or imply that only IBM's product, program, or service may be used. Any functionally equivalent product, program, or service that does not infringe any of IBM's intellectual property rights may be used instead of the IBM product, program, or service. Evaluation and verification of operation in conjunction with other products, except those expressly designated by IBM, are the user's responsibility.

IBM may have patents or pending patent applications covering subject matter in this document. The furnishing of this document does not give you any license to these patents. You can send license inquiries, in writing, to the IBM Director of Licensing, IBM Corporation, 500 Columbus Avenue, THORNWOOD NY 10594 USA.

United Kingdom Homologation Compliance Statement

STATEMENT OF COMPLIANCE

The United Kingdom Telecommunications Act 1984. This equipment is approved under General Approval Number

NS/G/1234/J/100003

for indirect connections to the public telecommunications systems in the United Kingdom.

Electronic Emission Notices

Federal Communications Commission (FCC) Statement

Note: This equipment has been tested and found to comply with the limits for a Class A digital device, pursuant to Part 15 of the FCC Rules. These limits are designed to provide reasonable protection against harmful interference when the equipment is operated in a commercial environment. This equipment generates, uses, and can radiate radio frequency energy and, if not installed and used in accordance with the instruction manual, may cause harmful interference in which case the user will be required to correct the interference at his own expense. Operation of this equipment in a residential area is likely to cause harmful interference, in which case the user will be required to correct the interference at his own expense.

Properly shielded and grounded cables and connectors (IBM part number 55H8694 or its equivalent for the data/fax/voice modem, or IBM part number 72H4447 or equivalent for the data/fax modem) must be used in order to meet the FCC emissions limits. IBM is not responsible for any radio or television interference caused by using other than recommended cables and connectors or by unauthorized changes or modifications to this equipment. Unauthorized changes or modifications to this equipment may cause interference which could void the user's authority to operate this equipment.

This device complies with Part 15 of the FCC Rules. Operation is subject to the following two conditions: (1) this device may not cause harmful interference, and (2) this device must accept any interference received, including interference that may cause undesired operation.

Industry Canada Class A Emission Compliance Statement

This Class A digital apparatus meets all requirements of the Canadian Interference-Causing Equipment Regulations.

Avis de conformité aux normes d'Industrie Canada

Cet appareil numérique de la classe A respecte toutes les exigences du Règlement sur le matériel brouilleur du Canada.

European Union (EU) Mark of Conformity Statement

This product is in conformity with the protection requirements of EU Council Directive 89/336/EEC on the approximation of the laws of the Member States relating to electromagnetic compatibility. IBM cannot accept responsibility for any failure to satisfy the protection requirements resulting from a non-recommended modification of the product, including fitting of non-IBM option cards.

Properly shielded and grounded cables and connectors (IBM part number 72H4447 or equivalent for the data/fax modem) must be used in order to reduce the potential for causing interference to radio and TV communications and to other electrical or electronic equipment. IBM cannot accept responsibility for any interference caused by using other than recommended cables and connectors.

Warning: This is a Class A product. In a domestic environment this product may cause radio interference in which case the user may be required to take adequate measures.

Dieses Gerät ist berechtigt in Übereinstimmung mit dem deutschen EMVG vom 9.Nov.92 das EG-Konformitätszeichen zu führen. Der Aufsteller der Konformitätserklärung ist die IBM, 3039 Cornwallis Road, Research Triangle Park, North Carolina, 27709-2195, U.S.A.

Dieses Gerät erfüllt die Bedingungen der EN 55022 Klasse A. Für diese Klasse von Geräten gilt folgende Bestimmung nach dem EMVG: Geräte dürfen an Orten, für die sie nicht ausreichend entstört sind, nur mit besonderer Genehmigung des Bundesministers für Post und Telekommunikation oder des Bundesamtes für Post und Telekommunikation betrieben werden. Die Genehmigung wird erteilt, wenn keine elektromagnetischen Störungen zu erwarten sind. Auszug aus dem EMVG vom 9.Nov.92, Para.3, Abs.4)

Hinweis:

Dieses Genehmigungsverfahren ist von der Deutschen Bundespost noch nicht veröffentlicht worden.

Japanese Voluntary Control Council for Interference (VCCI) Statement

Warning: This product is a Class 1 Information Technology Equipment and conforms to the standards set by the Voluntary Control Council for Interference by Information Technology Equipment (VCCI). In a domestic environment this product may cause radio interference in which case the user may be required to take adequate measures.

Australian and New Zealand Radiocommunications (Radio) Regulations

Warning: This is a Class A product. In a domestic environment this product may cause radio interference in which case the user may be required to take adequate measures.

Trademarks

The following terms are trademarks of the IBM Corporation in the United States or other countries or both:

IBM

Nways

Other company, product, and service names, which may be denoted by a double asterisk (**), may be trademarks or service marks of others.

Appendix B. Safety Information



Danger: Before you begin to install this product, read the safety information in *Caution: Safety Information—Read This First*, SD21-0030. This booklet describes safe procedures for cabling and plugging in electrical equipment.



Varning — livsfara: Innan du börjar installera den här produkten bör du läsa säkerhetsinformationen i dokumentet *Varning: Säkerhetsföreskrifter— Läs detta först*, SD21-0030. Där beskrivs hur du på ett säkert sätt ansluter elektrisk utrustning.



Fare: Før du begynner å installere dette produktet, må du lese sikkerhetsinformasjonen i *Advarsel: Sikkerhetsinformasjon — Les dette først*, SD21-0030 som beskriver sikkerhetsrutinene for kabling og tilkobling av elektrisk utstyr.



Fare! Før du installerer dette produkt, skal du læse sikkerhedsforskrifterne i *NB: Sikkerhedsforskrifter—Læs dette først* SD21-0030. Vejledningen beskriver den fremgangsmåde, du skal bruge ved tilslutning af kabler og udstyr.



Gevaar: Voordat u begint met de installatie van dit produkt, moet u eerst de veiligheidsinstructies lezen in de brochure *PAS OP! Veiligheidsinstructies—Lees dit eerst*, SD21-0030. Hierin wordt beschreven hoe u elektrische apparatuur op een veilige manier moet bekabelen en aansluiten.



Gevaar Voordat u begint met het installeren van dit produkt, dient u eerst de veiligheidsrichtlijnen te lezen die zijn vermeld in de publikatie *Caution: Safety Information - Read This First*, SD21-0030. In dit boekje vindt u veilige procedures voor het aansluiten van elektrische apparatuur.



Vorsicht: Bevor mit der Installation des Produktes begonnen wird, die Sicherheitshinweise in *Achtung: Sicherheitsinformationen—Bitte zuerst lesen*, IBM Form SD21-0030. Diese Veröffentlichung beschreibt die Sicherheitsvorkehrungen für das Verkabeln und Anschließen elektrischer Geräte.



危険： 導入作業を開始する前に、安全に関する小冊子SD21-0030 の「最初にお読みください」(Read This First)の項をお読みください。この小冊子は、電気機器の安全な配線と接続の手順について説明しています。



Danger : Avant d'installer le présent produit, consultez le livret *Attention: Informations pour la sécurité — Lisez-moi d'abord*, SD21-0030, qui décrit les procédures à respecter pour effectuer les opérations de câblage et brancher les équipements électriques en toute sécurité.



Danger: Avant de procéder à l'installation de ce produit, lisez d'abord les consignes de sécurité dans la brochure *ATTENTION: Consignes de sécurité—A lire au préalable*, SD21-0030. Cette brochure décrit les procédures pour câbler et connecter les appareils électriques en toute sécurité.



Pericolo: prima di iniziare l'installazione di questo prodotto, leggere le informazioni relative alla sicurezza riportate nell'opuscolo *Attenzione: Informazioni di sicurezza — Prime informazioni da leggere* in cui sono descritte le procedure per il cablaggio ed il collegamento di apparecchiature elettriche.



Perigo: Antes de iniciar a instalação deste produto, leia as informações de segurança *Cuidado: Informações de Segurança — Leia Primeiro*, SD21-0030. Este documento descreve como efectuar, de um modo seguro, as ligações eléctricas dos equipamentos.



Peligro: Antes de empezar a instalar este producto, lea la información de seguridad en *Atención: Información de Seguridad — Lea Esto Primero*, SD21-0030. Este documento describe los procedimientos de seguridad para cablear y enchufar equipos eléctricos.



Perigo: Antes de começar a instalar este produto, leia as informações de segurança contidas em *Cuidado: Informações Sobre Segurança—Leia Isto Primeiro*, SD21-0030. Esse folheto descreve procedimentos de segurança para a instalação de cabos e conexões em equipamentos elétricos.



VAARA: Ennen kuin aloitat tämän tuotteen asennuksen, lue julkaisussa *Varoitus: Turvaohjeet—Lue tämä ensin*, SD21-0030, olevat turvaohjeet. Tässä kirjasessa on ohjeet siitä, miten sähkölaitteet kaapeloidaan ja kytketään turvallisesti.



위험: 이 제품을 설치하기 전에 반드시 "주의: 안전 정보-시작하기 전에" (SD21-0030) 에 있는 안전 정보를 읽으십시오.



危險：安裝本產品之前，請先閱讀 "Caution: Safety Information—Read This First" SD21-0030 手冊中所提供的安全注意事項。這本手冊將會說明使用電器設備的纜線及電源的安全程序。



Uwaga:
Przed rozpoczęciem instalacji produktu należy zapoznać się z instrukcją: "Caution: Safety Information - Read This First", SD21-0030. Zawiera ona warunki bezpieczeństwa przy podłączeniu do sieci elektrycznej i eksploatacji.



Upozornění: než zahájíte instalaci tohoto produktu, přečtěte si nejprve bezpečnostní informace v pokynech „Bezpečnostní informace“ č. 21-0030. Tato brožurka popisuje bezpečnostní opatření pro kabeláž a zapojení elektrického zařízení.



Vigyázat: Mielőtt megkezdi a berendezés üzembe helyezését, olvassa el a *Caution: Safety Information— Read This First*, SD21-0030 könyvecskében leírt biztonsági információkat. Ez a könyv leírja, milyen biztonsági intézkedéseket kell megtenni az elektromos berendezés huzalozásakor illetve csatlakoztatásakor.



Pozor: Preden začnete z instalacijo tega produkta preberite poglavje: 'Opozorilo: Informacije o varnem rokovanju-preberi pred uporabo,' SD21-0030. To poglavje opisuje pravilne postopke za kabliranje,



ОСТОРОЖНО: Прежде чем устанавливать этот продукт, прочтите Инструкцию по технике безопасности в документе "Внимание: Инструкция по технике безопасности -- Прочсть в первую очередь", SD21-0030. В этой брошюре описаны безопасные способы каблирования и подключения электрического оборудования.

Tell Us What You Think!

Multiprotocol Switched Services (MSS) Server Setup and Problem Determination Guide

Publication No. GA27-4140-01

We hope you find this publication useful, readable, and technically accurate, but only you can tell us! Your comments and suggestions will help us improve our technical publications. Please take a few minutes to let us know what you think by completing this form. If you are in the U.S.A., you can mail this form postage free or fax it to us at 1-800-253-3520. Elsewhere, your local IBM branch office or representative will forward your comments or you may mail them directly to us.

Overall, how satisfied are you with the information in this book?	Satisfied	Dissatisfied
	<input type="checkbox"/>	<input type="checkbox"/>

How satisfied are you that the information in this book is:	Satisfied	Dissatisfied
Accurate	<input type="checkbox"/>	<input type="checkbox"/>
Complete	<input type="checkbox"/>	<input type="checkbox"/>
Easy to find	<input type="checkbox"/>	<input type="checkbox"/>
Easy to understand	<input type="checkbox"/>	<input type="checkbox"/>
Well organized	<input type="checkbox"/>	<input type="checkbox"/>
Applicable to your task	<input type="checkbox"/>	<input type="checkbox"/>

Specific comments or problems:

Please tell us how we can improve this book:

Thank you for your comments. If you would like a reply, provide the necessary information below.

Name

Address

Company or Organization

Phone No.



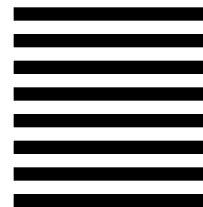
Fold and Tape

Please do not staple

Fold and Tape



NO POSTAGE
NECESSARY
IF MAILED IN THE
UNITED STATES



BUSINESS REPLY MAIL

FIRST-CLASS MAIL PERMIT NO. 40 ARMONK, NEW YORK

POSTAGE WILL BE PAID BY ADDRESSEE

Design & Information Development
Dept. CGF/Bldg. 656
International Business Machines Corporation
PO BOX 12195
RESEARCH TRIANGLE PARK NC 27709-9990



Fold and Tape

Please do not staple

Fold and Tape



Part Number: 55H8686

Printed in U.S.A.

