

# IBM 8245 10/100 Ethernet Stackable Hub Models 012, 024, 112, and 124

## Quick Installation Guide



**Danger**

Before you begin to install this product, read the safety information in *Caution: Safety Information - Read This First*, SD21-0030. This booklet describes safe procedures for cabling and plugging in electrical equipment. Power should be removed from the hub when mounting or installing modules.



**Danger**

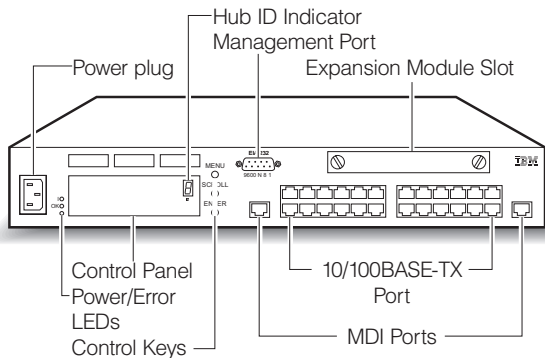


Part Number 31L3912

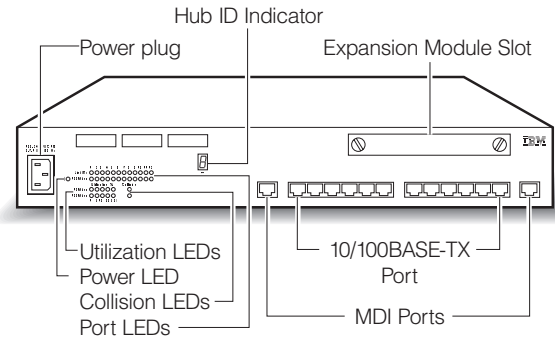
### Class 1 LED Statement

Class 1 LED Product, LED Klasse 1, LED Klass 1, Luokan 1 Ledlaitte, Appareil À LED de Classe 1, To IEC 825-1:1993

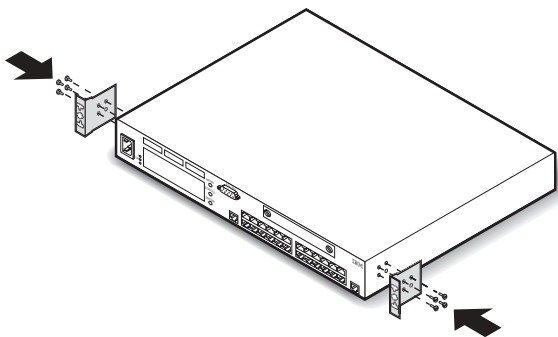
### Front View of the Managed IBM 8245 112/124



### Front View of the Manageable IBM 8245 012/024

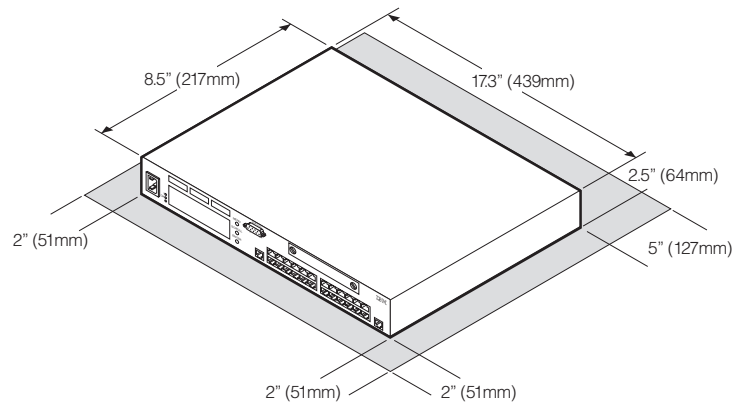


### Mounting Option 1 Rack Mounting



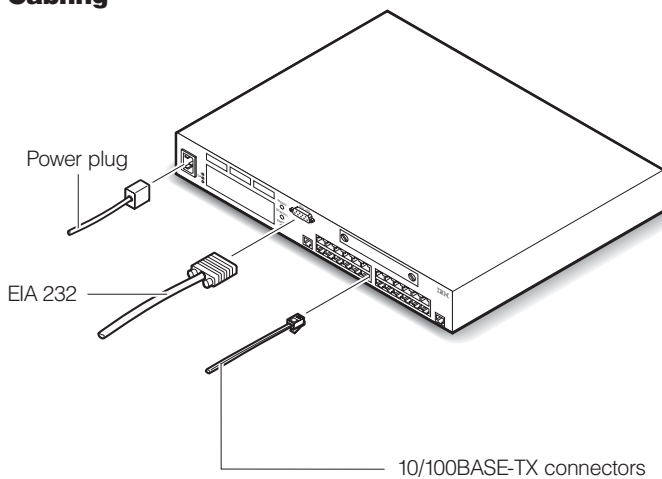
- 1 Attach the two mounting brackets to the sides of the 8245 using the brackets and screws provided. Note orientation of brackets.
- 2 Insert into 19" rack.

### Mounting Option 2 Table Top Mounting

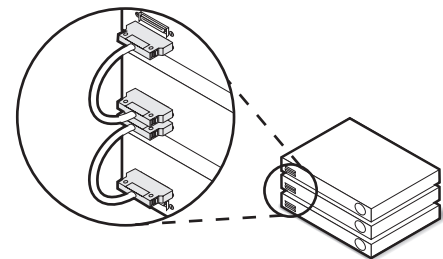


Allow proper clearance on all sides.

### Cabling



### Stacking 8245 Units



- 1 To maintain current configuration when installing multiple managed units, refer to the *IBM 8245 Installation and Planning Guide*.
- 2 All managed units must have software version 1.1 or higher.
- 3 Place all managed units (models 112 and 124) on top of stack.
- 4 Connect units using stacking cables.
- 5 Power on units.

