

Note

Before using this information and the product it supports, be sure to read the general information under Appendix, "Notices" on page A-1.

Fourth Edition (August 1998)

The following paragraph does not apply to the United Kingdom or any country where such provisions are inconsistent with local law: INTERNATIONAL BUSINESS MACHINES CORPORATION PROVIDES THIS PUBLICATION "AS IS" WITHOUT WARRANTY OF ANY KIND, EITHER EXPRESS OR IMPLIED, INCLUDING, BUT NOT LIMITED TO, THE IMPLIED WARRANTIES OF MERCHANTABILITY OR FITNESS FOR A PARTICULAR PURPOSE. Some states do not allow disclaimer of express or implied warranties in certain transactions, therefore, this statement may not apply to you.

This publication could include technical inaccuracies or typographical errors. Changes are periodically made to the information herein; these changes will be incorporated in new editions of the publication. IBM may make improvements and/or changes in the products and/or programs described in this publication at any time.

It is possible that this publication may contain reference to, or information about, IBM products (machines and programs), programming, or services that are not announced in your country. Such references or information must not be construed to mean that IBM intends to announce such IBM products, programming, or services in your country.

Requests for technical information about IBM products should be made to your IBM Authorized Dealer or your IBM Marketing Representative.

A form for readers' comments appears at the back of this publication. If the form has been removed, address your comments to:

Department CGFA
Design & Information Development
IBM Corporation
PO Box 12195
RESEARCH TRIANGLE PARK NC 27709-9990
USA

When you send information to IBM, you grant IBM a nonexclusive right to use or distribute the information in any way it believes appropriate without incurring any obligation to you.

© Copyright International Business Machines Corporation 1995, 1998. All rights reserved.

Note to U.S. Government Users — Documentation related to restricted rights — Use, duplication or disclosure is subject to restrictions set forth in GSA ADP Schedule Contract with IBM Corp.

Contents

Safety Information	v
About This Manual	xi
How This Manual Is Organized	xi
Summary of Change	xii
Chapter 1. Introducing the Adapters	1-1
Adapter Overview	1-1
Using the Wake on LAN Feature	1-3
About the Adapter Fault Tolerance Feature	1-3
About DHCP/RPL Support with the Adapters	1-4
Prerequisite Operating System PCI Updates	1-4
Kit Contents	1-5
Adapter Installation Checklist	1-5
Help Information	1-6
Chapter 2. Installing the Adapter Hardware	2-1
Installing the Adapter	2-1
Using the Correct Adapter Cable	2-3
Connecting Your Wake on LAN Cables	2-4
Chapter 3. Dynamic Host Configuration Protocol and Remote Program Load	3-1
About the Flash Module	3-1
Installing the Flash Module	3-1
Programming the Flash Module	3-4
RPL Configuration	3-5
RPL Messages	3-6
DHCP Configuration	3-9
Chapter 4. Testing Your Adapters and Installing Device Drivers	4-1
Using the Help Files on the Diagnostics and Help Diskette	4-1
Common Problems and Solutions	4-2
Related Technical Topics	4-4
Appendix. Notices	A-1



Safety Notices	A-1
Electronic Emission Notices	A-2
Trademarks	A-5
Index	X-1



Safety Information



Danger: Before you begin to install this product, read the safety information in *Caution: Safety Information—Read This First*, SD21-0030. This booklet describes safe procedures for cabling and plugging in electrical equipment.



Gevaar: Voordat u begint met de installatie van dit produkt, moet u eerst de veiligheidsinstructies lezen in de brochure *PAS OP! Veiligheidsinstructies—Lees dit eerst*, SD21-0030. Hierin wordt beschreven hoe u elektrische apparatuur op een veilige manier moet bekabelen en aansluiten.



Danger: Avant de procéder à l'installation de ce produit, lisez d'abord les consignes de sécurité dans la brochure *ATTENTION: Consignes de sécurité—A lire au préalable*, SD21-0030. Cette brochure décrit les procédures pour câbler et connecter les appareils électriques en toute sécurité.



Perigo: Antes de começar a instalar este produto, leia as informações de segurança contidas em *Cuidado: Informações Sobre Segurança—Leia Isto Primeiro*, SD21-0030. Esse folheto descreve procedimentos de segurança para a instalação de cabos e conexões em equipamentos elétricos.



危險：安裝本產品之前，請先閱讀 "Caution: Safety Information—Read This First" SD21-0030 手冊中所提供的安全注意事項。這本手冊將會說明使用電器設備的纜線及電源的安全程序。



Opasnost: Prije nego što počnete sa instalacijom produkta, pročítajte naputak o pravilima o sigurnom rukovanju u Upozorenje: Pravila o sigurnom rukovanju - Prvo pročítaj ovo, SD21-0030. Ovaj privitak opisuje sigurnosne postupke za priključivanje kabela i priključivanje na električno napajanje.



Upozornění: než zahájíte instalaci tohoto produktu, přečtete si nejprve bezpečnostní informace v pokynech „Bezpečnostní informace“ č. 21-0030. Tato brožurka popisuje bezpečnostní opatření pro kabeláž a zapojení elektrického zařízení.



Fare! Før du installerer dette produkt, skal du læse sikkerhedsforskrifterne i *NB: Sikkerhedsforskrifter—Læs dette først* SD21-0030. Vejledningen beskriver den fremgangsmåde, du skal bruge ved tilslutning af kabler og udstyr.



Gevaar Voordat u begint met het installeren van dit produkt, dient u eerst de veiligheidsrichtlijnen te lezen die zijn vermeld in de publikatie *Caution: Safety Information - Read This First*, SD21-0030. In dit boekje vindt u veilige procedures voor het aansluiten van elektrische apparatuur.



VAARA: Ennen kuin aloitat tämän tuotteen asennuksen, lue julkaisussa *Varoitus: Turvaohjeet—Lue tämä ensin*, SD21-0030, olevat turvaohjeet. Tässä kirjasessa on ohjeet siitä, miten sähkölaitteet kaapeloidaan ja kytketään turvallisesti.





Danger : Avant d'installer le présent produit, consultez le livret *Attention : Informations pour la sécurité — Lisez-moi d'abord*, SD21-0030, qui décrit les procédures à respecter pour effectuer les opérations de câblage et brancher les équipements électriques en toute sécurité.



Vorsicht: Bevor mit der Installation des Produktes begonnen wird, die Sicherheitshinweise in *Achtung: Sicherheitsinformationen—Bitte zuerst lesen*, IBM Form SD21-0030. Diese Veröffentlichung beschreibt die Sicherheitsvorkehrungen für das Verkabeln und Anschließen elektrischer Geräte.



Κίνδυνος: Πριν ξεκινήσετε την εγκατάσταση αυτού του προϊόντος, διαβάστε τις πληροφορίες ασφάλειας στο φυλλάδιο *Caution: Safety Information—Read this first*, SD21-0030. Στο φυλλάδιο αυτό περιγράφονται οι ασφαλείς διαδικασίες για την καλωδίωση των ηλεκτρικών συσκευών και τη σύνδεσή τους στην πρίζα.



Vigyázat: Mielőtt megkezdi a berendezés üzembe helyezését, olvassa el a *Caution: Safety Information— Read This First*, SD21-0030 könyvecskében leírt biztonsági információkat. Ez a könyv leírja, milyen biztonsági intézkedéseket kell megtenni az elektromos berendezés huzalozásakor illetve csatlakoztatásakor.



Pericolo: prima di iniziare l'installazione di questo prodotto, leggere le informazioni relative alla sicurezza riportate nell'opuscolo *Attenzione: Informazioni di sicurezza — Prime informazioni da leggere* in cui sono descritte le procedure per il cablaggio ed il collegamento di apparecchiature elettriche.



危険： 導入作業を開始する前に、安全に関する小冊子SD21-0030 の「最初にお読みください」(Read This First)の項をお読みください。この小冊子は、電気機器の安全な配線と接続の手順について説明しています。



위험: 이 제품을 설치하기 전에 반드시 "주의: 안전 정보-시작하기 전에" (SD21-0030) 에 있는 안전 정보를 읽으십시오.



ОПАСНОСТ

Пред да почнете да го инсталирате овој продукт, прочитајте ја информацијата за безбедност:
"Предупредување: Информација за безбедност: Прочитајте го прво ова", SD21-0030.
Оваа брошура опишува безбедносни процедури за каблирање и вклучување на електрична опрема.



Fare: Før du begynner å installere dette produktet, må du lese sikkerhetsinformasjonen i *Advarsel: Sikkerhetsinformasjon* — *Les dette først*, SD21-0030 som beskriver sikkerhetsrutinene for kabling og tilkobling av elektrisk utstyr.



Uwaga:

Przed rozpoczęciem instalacji produktu należy zapoznać się z instrukcją: "Caution: Safety Information - Read This First", SD21-0030.

Zawiera ona warunki bezpieczeństwa przy podłączaniu do sieci elektrycznej i eksploatacji.



Perigo: Antes de iniciar a instalação deste produto, leia as informações de segurança *Cuidado: Informações de Segurança — Leia Primeiro*, SD21-0030. Este documento descreve como efectuar, de um modo seguro, as ligações eléctricas dos equipamentos.



ОСТОРОЖНО: Прежде чем устанавливать этот продукт, прочтите Инструкцию по технике безопасности в документе "Внимание: Инструкция по технике безопасности -- Прочсть в первую очередь", SD21-0030. В этой брошюре описаны безопасные способы каблирования и подключения электрического оборудования.



Nebezpečenstvo: Pred inštaláciou výrobku si prečítajte bezpečnosté predpisy v

Výstraha: Bezpečnosté predpisy - Prečítaj ako prvé, SD21-0030. V tejto brožúrke sú opísané bezpečnosté postupy pre pripojenie elektrických zariadení.



Pozor: Preden zaènete z instalacijo tega produkta preberite poglavje: "Opozorilo: Informacije o varnem rokovanju-preberi pred uporabo," SD21-0030. To poglavje opisuje pravilne postopke za kabliranje,



Peligro: Antes de empezar a instalar este producto, lea la información de seguridad en *Atención: Información de Seguridad — Lea Esto Primero*, SD21-0030. Este documento describe los procedimientos de seguridad para cablear y enchufar equipos eléctricos.



Varning — livsfara: Innan du börjar installera den här produkten bör du läsa säkerhetsinformationen i dokumentet *Varning: Säkerhetsföreskrifter— Läs detta först*, SD21-0030. Där beskrivs hur du på ett säkert sätt ansluter elektrisk utrustning.



危險：

開始安裝此產品之前，請先閱讀安全資訊。

注意：

請先閱讀 - 安全資訊 SD21-0030

此冊子說明插接電器設備之電纜線的安全程序。



About This Manual

This manual contains instructions for installing and setting up the device drivers for the following adapters:

- IBM 10/100 EtherJet PCI Adapter
- IBM 10/100 EtherJet PCI Adapter with Wake on LAN

Included is a product overview and a description of some of the common installation problems and recommended solutions.

Note: The illustrations in this publication might be slightly different from your hardware.

This manual is intended for adapter installers and network administrators.

How This Manual Is Organized

This manual contains the following chapters and appendixes:

- Chapter 1, "Introducing the Adapters" describes the adapter kit contents, the Wake on LAN feature, the Adapter Fault Tolerance Feature, the DHCP/RPL option, the installation checklist, and help sources are included.
- Chapter 2, "Installing the Adapter Hardware" provides instructions for removing the cover and cables for your PC and for locating the required components. Safety precautions and handling techniques are discussed, along with the required procedures for installing the adapters.
- Chapter 3, "Dynamic Host Configuration Protocol and Remote Program Load" provides information for installing and programming the Remote Program Load and Dynamic Host Configuration Protocol (DHCP/RPL) option on the 10/100 EtherJet PCI Adapters.
- Chapter 4, "Testing Your Adapters and Installing Device Drivers" provides information about how to use the help files on the Diagnostics and Help Diskette to test your adapters and install your device drivers.

Note: You can access the Diagnostics and Help Diskette to obtain instructions for loading the device drivers from the Device Driver Diskette. See “Help Files” on page 1-6 for more information.

A description of common problems and recommended solutions, PCI installation tips, and related technical topics are included.

- Appendix, “Notices” contains IBM notices and trademark information.

| **Summary of Change**

| Support for Windows 98 has been added to this edition.

Chapter 1. Introducing the Adapters

This manual contains the information you need to install and use the following products:

- IBM 10/100 EtherJet PCI Adapter
- IBM 10/100 EtherJet PCI Adapter with Wake on LAN

This chapter describes the adapters, the contents of the adapter kits, and other materials you need to install these adapters. Topics include:

- “Adapter Overview”
- “Using the Wake on LAN Feature” on page 1-3
- “About the Adapter Fault Tolerance Feature” on page 1-3
- “About DHCP/RPL Support with the Adapters” on page 1-4
- “Prerequisite Operating System PCI Updates” on page 1-4
- “Kit Contents” on page 1-5
- “Adapter Installation Checklist” on page 1-5
- “Help Information” on page 1-6

* DHCP support means Pre-Execute Environment (PXE) remote boot with Intel's LANdesk Service Agent (LSA) code in Dynamic Host Configuration Protocol (DHCP).

It is important that you are familiar with the PC in which either of the adapters will be installed and with the PC's operating system and network software.

These adapters use the same drivers and software utility. Therefore, most of the information in this manual applies to both adapters interchangeably. Where the information differs, it is noted.

Adapter Overview

The IBM 10/100 EtherJet PCI Adapters pave the way to higher bandwidth operation and improved network performance, without disrupting your existing infrastructure. It is easy to use these Plug and Play, 32-bit Busmaster adapters. Designed for flexibility, they run at 10 Mbps or 100 Mbps in full- or half-duplex mode to support a

variety of network configurations, ranging from conventional 10BASE-T to Fast Ethernet environments.

The adapters:

- Operate in shared 10BASE-T or 100BASE-TX environments as well as in switched 10 Mbps and 100 Mbps Ethernet networks
- Run at either 10 Mbps or 100 Mbps in full-duplex mode, yielding 20-Mbps and 200-Mbps capacity, respectively
- Attach to 10-Mbps and 100-Mbps LANs with a single RJ-45 connector
- Operate in symmetrical multiprocessing (SMP) environments
- Display the status of link, activity, and 100-Mbps operation via LEDs
- Support Novell NetWare 3.12 or higher, IBM OS/2 LAN Server, Microsoft LAN Manager, Windows for Workgroups 3.11, Windows NT 3.51 or higher, Windows 95, Windows 98, SCO Open Desktop 3.0, SCO Open Server 5.0, and SCO UnixWare 2.1 or higher.
- The 10/100 EtherJet PCI Adapter with Wake on LAN supports system wakeup events in both ACPI and APM environments with IBM Wake on LAN-capable PC systems.
- The Boot ROM module is a standard feature for the 10/100 EtherJet PCI Adapter with Wake on LAN. The card comes with an onboard ROM pre-flashed with Intel LANDesk Service Agent code (LSA code) for Dynamic Host Configuration Protocol (DHCP) remote boot ready. For the Remote Program Load (RPL) remote boot, a flash utility disk is available for re-flashing the ROM to RPL code.
- For 10/100 EtherJet PCI Adapter, an optional ROM Module kit (PN 86H2856) is available for your DHCP or RPL remote boot applications.

Using the Wake on LAN Feature

The Wake on LAN feature can be disabled or enabled using your system configuration utility. Refer to your PC documentation for details.

Power for the 10/100 EtherJet PCI Adapter with Wake on LAN is always ON when the PC is connected to ac power, regardless of the PC ON/OFF switch. When the PC power is OFF, this adapter constantly monitors the LAN for the wake-up frame that requests power to be applied to the PC.

The wake-up frame can be a broadcast or an individually addressed frame. The following data is required and can occur anywhere in the data portion of the wake-up frame.

- 6 bytes of X'FF', followed by
- 48-bit universally administered address (UAA or MAC address) of the adapter to be woken up, repeated eight or more times. Eight repetitions are required; more than eight are acceptable.

If you are not familiar with Wake on LAN operation, you can refer to the following World Wide Web based documents:

- *Wake on LAN* at <http://www.pc.ibm.com/infobrf/iblan.html>
- *Wake up to Wake on LAN* at <http://www.networking.ibm.com/eji/ejiwake.html>

| For more details about Wake on LAN cables and IBM Wake on LAN
| PC systems, read WOLCABLE.TXT and WOL-INFO.TXT help files in
| the \INFO\GENERAL directory on the Installation diskette.

About the Adapter Fault Tolerance Feature

Adapter Fault Tolerance (AFT), also known as redundant NIC, is a simple, effective, and fail-safe approach to increase the reliability of server connections. AFT gives you the ability to set up link recovery to the server adapter in case of a cable, port, or network interface card failure. By assigning two IBM 10/100 EtherJet PCI Adapters as a team, AFT enables you to maintain uninterrupted network

performance. For further AFT details, read the AFT.TXT help file in the A:\INFO\GENERAL directory of the Diagnostics and Help diskette.

About DHCP/RPL Support with the Adapters

With the onboard ROM on the 10/100 EtherJet PCI Adapter with Wake on LAN, or the optional ROM module on the 10/100 EtherJet PCI Adapter, the following support and features are provided:

- The adapters can support DHCP remote boot with DHCP flash code or RPL remote boot with RPL flash code.
- The DHCP LANDesk Service Agent (LSA) code supports both Intel's LANDesk Configuration Manager (LCM) and the IBM LAN Client Control Manager 2.x (LCCM 2.x).
- The RPL code supports RPL remote boot with IBM LAN Client Control Manager 1.1 or 2.x (LCCM 1.1 or LCCM 2.x).
- The flash diskette provided gives you the option to load the Flash Module with DHCP code or with RPL code.

You can download this diskette from the Web at:

<http://www.networking.ibm.com/nes/nesether.htm>.

Select **EtherJet 10/100 PCI Adapters** and then look for the DHCP/RPL flash diskette ETPFLSH.EXE.

For further information regarding the DHCP/RPL option, see Chapter 3, "Dynamic Host Configuration Protocol and Remote Program Load."

Prerequisite Operating System PCI Updates

Please check with your operating system supplier for the latest information concerning required updates to support PCI adapters. Some currently available operating systems are not PCI-aware, so the device drivers for the IBM 10/100 EtherJet PCI Adapters are written to the PCI-architected BIOS or register-level interfaces.

Help is available to guide you through manual installation in these environments. (“Help Files” on page 1-6 describes how to access help information.)

Kit Contents

| Along with this manual, the adapter kits contain:

- The IBM 10/100 EtherJet PCI Adapter or the 10/100 EtherJet PCI Adapter with Wake on LAN
- 2 Drivers and Installation diskettes
- *Caution: Safety Information—Read This First* booklet

| In addition to the items listed here, the 10/100 EtherJet PCI Adapter with Wake on LAN kit also includes two Wake on LAN cables.

- One 08L2558 cable for using with a PC system that has separate Wake on LAN power source and Wake on LAN signal source connectors
- One 08L2559 cable for using with a PC system that has the combined 3-pin Wake on LAN connector

If any item is missing or damaged, contact your place of purchase.

Adapter Installation Checklist

To install either adapter, complete the following steps in order. You might want to mark this page for easy retrieval or make a copy to use for reference.

___ 1. Preparation

Check the kit contents list on page 1-5.

In addition to the publications shipped with the adapter, you will need:

- The manual provided with your PC
- The manual provided with your network operating system or network application
- Your operating system and network application software

- ___ 2. Installing the adapter. See the instructions on page 2-1.
- ___ 3. Installing the DHCP/RPL option. See the instructions in 3-1.
- ___ 4. Refer to the help files on your Diagnostics and Help diskette for:
 - Information about testing the adapter
 - Procedure for installing device drivers
 - Other technical details

See "Help Files" for more information.

Help Information

This includes help files and IBM product support.

Help Files

The help files provide detailed information about the IBM 10/100 EtherJet PCI Adapters. Instructions on how to load the device drivers from the Device Drivers Diskette are also included.

| To view the help files:

- | • Boot up your system with the Installation diskette and select **view help files**.
- | • Or with the diskette in drive A, switch to that drive and enter from a DOS prompt: **setup /readme**

| Help topics include:

- | – Latest news and general adapter information
- | – Hardware specifications and cabling information
- | – Testing the adapter
- | – Installing device drivers
- | – Running diagnostics and error messages
- | – New features such as Wake on LAN and Adapter Teaming

IBM Product Support

The following IBM product support is available:

- Download the code from the **Internet** or the IBM Bulletin Board System

You can download the latest drivers and related code from the IBM **Internet** or the BBS. If you are outside the United States or Canada, contact your IBM marketing representative for BBS information.

- **World Wide Web:**

- On a Web browser:

- 1** Access URL
<http://www.networking.ibm.com/nes/nesether.htm>

- 2** Select **EtherJet 10/100 PCI Adapters**.

You now have access to all the latest drivers and related code for the IBM EtherJet 10/100 PCI Adapters. For other information regarding these adapters and other IBM Networking products, select **Network Environment Support** or **IBM Networking**.

- FTP as Anonymous to lansupport.raleigh.ibm.com, directory [/pubs/products/lanprods/ethernet](ftp://lansupport.raleigh.ibm.com/pubs/products/lanprods/ethernet)

Note: At the date of this publication, the BBS telephone number and Internet Server address are current. If you find that either the telephone number or the Internet address is not available, check the README file to see whether a new number or address is available. (“Help Files” on page 1-6 describes how to access this information.)

- IBM PC Company Bulletin Board System (BBS). For a new or updated version of the installation code or the drivers:
 - 1-919-517-0001 (Directory 32) for the United States
 - 1-604-664-6464 for Vancouver
 - 1-416-956-7877 for Toronto
 - 1-514-938-3022 for Montreal
 - 1-905-316-4255 for Markham



- IBM product support:
 - 1-800-426-7299 for Options by IBM HelpCenter
 - 1-800-237-5511 for IBM Support Services
 - 1-800-772-2227 for IBM HelpCenter
 - 1-800-565-3344 for HelpPC (Canada)



Chapter 2. Installing the Adapter Hardware

This chapter contains information to assist you in installing the IBM 10/100 EtherJet PCI Adapter or 10/100 EtherJet PCI Adapter with Wake on LAN. Topics include:

- “Installing the Adapter”
- “Using the Correct Adapter Cable” on page 2-3
- “Connecting Your Wake on LAN Cables” on page 2-4

Before starting, you should review the following information:

- Chapter 1, “Introducing the Adapters”
- Appendix, “Notices” on page A-1
- The safety information in your PC manual concerning adapter installation

Installing the Adapter

- 1** In the manual provided with your PC, locate the instructions for installing an adapter. Be sure to follow any safety instructions in that manual.
- 2** Switch OFF the PC and all connected devices.
- 3** Remove the power cord from the outlet.
Note: In the U.K., by law, the telephone line cable (if connected) must be disconnected before the power cord.
- 4** Remove all cables from your PC to the connected devices.
Note: Make sure to label the cables for correct reconnection later.
- 5** Follow the instructions provided in your PC manual for removing the cover or otherwise accessing the adapter slots.
If you are installing the IBM 10/100 EtherJet PCI Adapter without the Wake on LAN feature, continue with step 6 on page 2-2.

If you are installing the IBM 10/100 EtherJet PCI Adapter with Wake on LAN, go to “Connecting Your Wake on LAN Cables” on page 2-4.

6 Remove the screw and cover for the appropriate PCI Busmaster-capable expansion slot. (Refer to your PC manual.) Keep the cover to use again if you remove the adapter.

7 Place the adapter in the slot.

Note: Most PCI slots in PCs are Busmaster-enabled, but some are not. If you have configuration problems, refer to your PC manual.

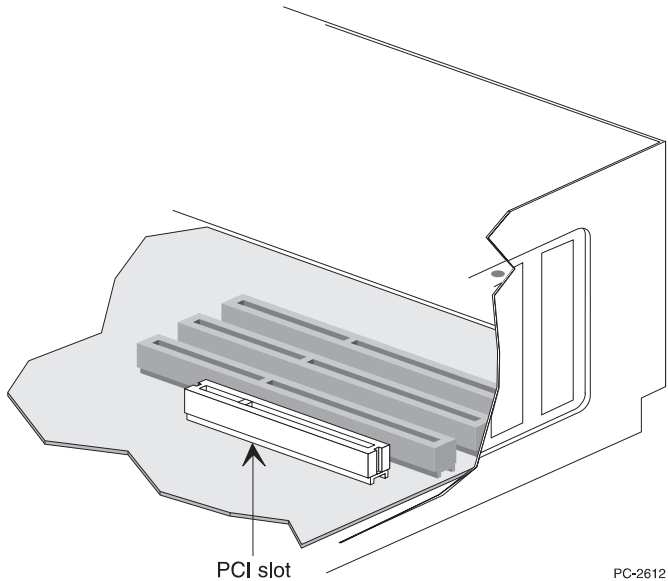


Figure 2-1. PCI Slot Illustration

8 Push the adapter into the slot until the adapter is seated firmly. Secure the adapter bracket with a screw.

9 If you are installing more than one adapter, repeat steps 6, 7, and 8 for each adapter you want to install.

Otherwise, go to step 10.

Note: Only one adapter per PC can be connected and used as a Wake on LAN adapter.

- 10** Replace the cover on the PC, connect the cables to the connected devices, connect the signal cables to the receptacles, and finally, connect the power cord to the outlet.

Note: In the U.K., by law, the power cord must be connected before the telephone line cable.

- 11** Connect a twisted-pair Ethernet category 3 or category 5 cable to the adapter and to your Ethernet outlet. See “Using the Correct Adapter Cable” for more information.

Notes:

- a. If you use the 10/100 EtherJet PCI Adapter with Wake on LAN and connect the cables as described, the LNK LED should be lit even if the PC is powered off. This indicates that the Wake on LAN power cable has been correctly connected to your adapter.
- b. To use Wake on LAN, you must enable the Wake on LAN function in your system configuration. Refer to your PC documentation for more information.

- 12** Switch ON the connected devices and the PC.

- 13** Step 2 of the Adapter Installation Checklist is now complete.

If you want to run the adapter diagnostics at this point, see Chapter 4, “Testing Your Adapters and Installing Device Drivers” for details.

Using the Correct Adapter Cable

To reliably operate your network at 100 Mbps, you must use category 5 Data Grade cabling with this adapter. Although category 3 or 4 cabling might work initially, it will soon cause data loss. For more information, see the Hardware Specifications and Cabling topic on the Diagnostics and Help diskette. (“Help Files” on page 1-6 describes how to access this information.)

You can use category 3, 4, or 5 cabling at 10 Mbps.

Note: The adapter Ethernet address is printed on a sticker on the edge of the adapter as shown in Figure 2-2. The Ethernet address is sometimes called the *Node address* or the *MAC address*. This unique, 12-digit hexadecimal address was stored in the adapter memory at the factory.

You can use this address to match the adapter to the slot number when configuring multiple adapters.

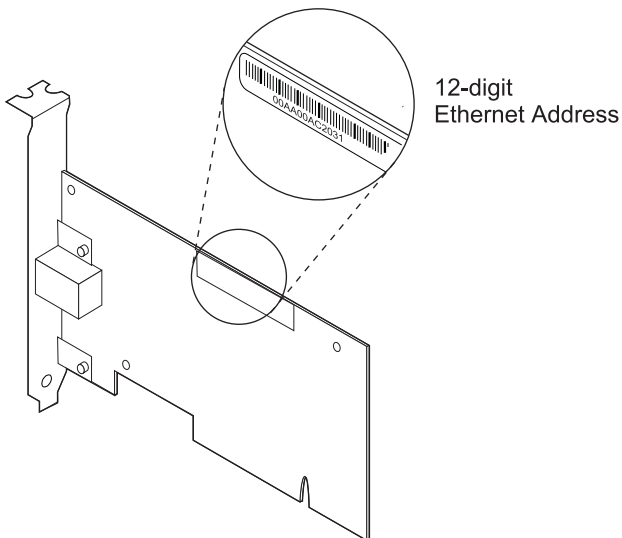


Figure 2-2. Ethernet Address Location

Connecting Your Wake on LAN Cables

There are two ways to connect the 10/100 EtherJet PCI Adapter with Wake on LAN to the PC to enable the Wake on LAN function.

Depending on your PC, you might need either:

- A 2-way combined Wake on LAN signal and power cable (IBM PN 08L2559) as shown in Figure 2-3 on page 2-5, to be used between the adapter and PC model that has a combined signal

and power connector for Wake on LAN. The two ends of this cable are identical and thus are interchangeable.

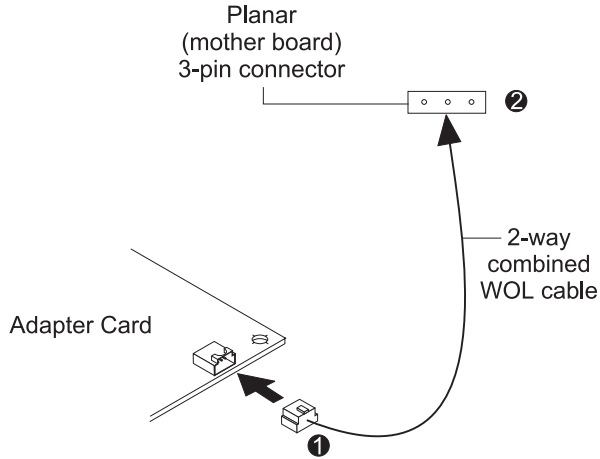


Figure 2-3. Connecting the Combined Signal and Power Cable to Your PC

- A 3-way combined Wake on LAN signal and power cable (IBM PN 08L2558) as shown in Figure 2-4 on page 2-6, to be used between the adapter and PC model that has separate signal and power connectors for Wake on LAN. On this cable, the end that has a single female connector is for the adapter connection. The other end, with one male connector and one female connector, is for the PC connection.

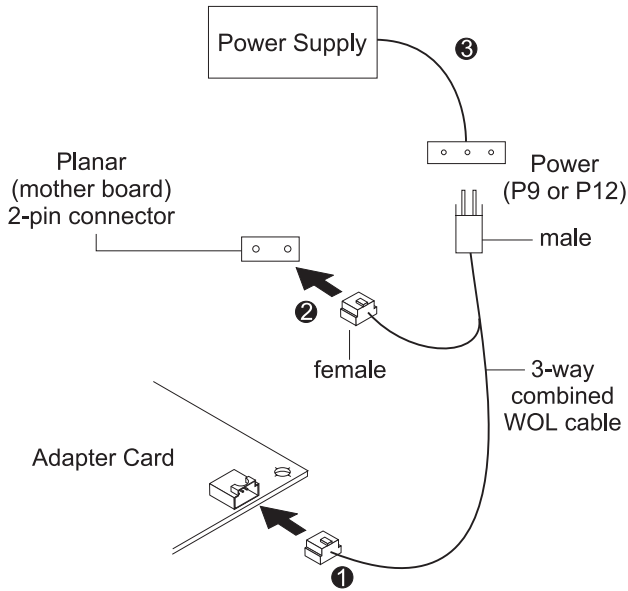


Figure 2-4. Connecting the Signal and Power Cables to Your PC

For your convenience, both Wake on LAN signal cables are included in your adapter kit.

Important

Ensure that your PC is unplugged from the electrical outlet before installing or removing this adapter. Wake on LAN capable PCs always supply power to the connector, which attaches to the adapter, even when the PC appears to be in the powered OFF state.

To prepare your PC for adapter installation and to determine which cable to use:

- 1** Perform steps 1 through 5 on page 2-1.
- 2** Locate the power supply for your system (see Figure 2-5 on page 2-7).



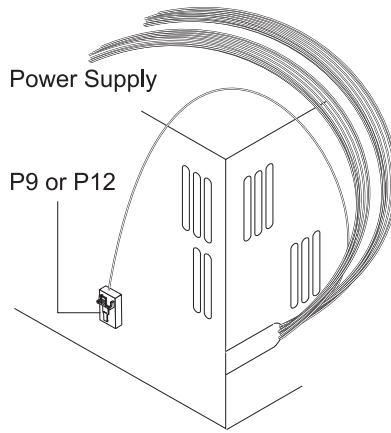


Figure 2-5. PC Power Supply

- 3** If your PC power supply has a power cable labelled **P9** or **P12**, as shown in Figure 2-5, continue with “Connecting the 3-Way Combined Wake on LAN Cable.”

Otherwise, go to “Connecting the 2-Way Combined Wake on LAN Cable” on page 2-9.

Connecting the 3-Way Combined Wake on LAN Cable

It is important that you perform these steps in the order shown.

To install the Wake on LAN feature using the separate Wake on LAN cable (IBM PN 08L2558):

- 1** Connect the single female end of the 3-way combined Wake on LAN cable to the Wake on LAN 3-pin connector on the adapter, as shown in Figure 2-4 on page 2-6.

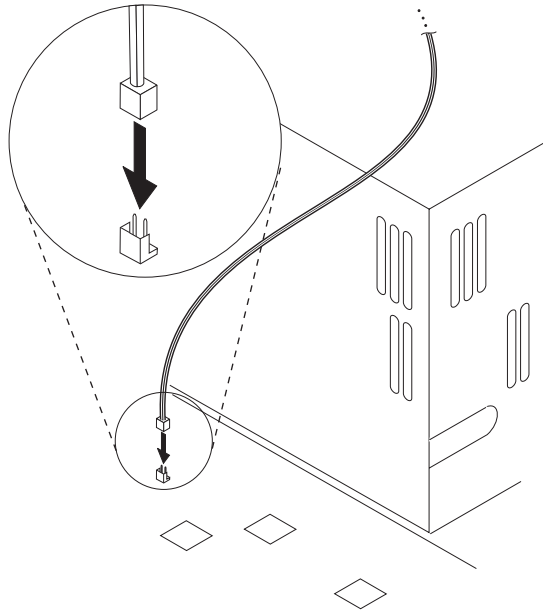


Figure 2-6. PC Wake on LAN Signal Connector (2-Pin)

- 2** Install the adapter as described in steps 6, 7, and 8 on page 2-2.
- 3** With your PC cover off, locate the 2-pin Wake on LAN signal connector on the PC planar as shown in Figure 2-6. On the male-female end of the 3-way cable, connect the female connector to the PC 2-pin Wake on LAN signal connector. Make sure that the cable is below the riser bracket so that it does not become dislodged or damaged when you close or open the PC cover.



- 4** Then, also on the male-female end of the 3-way cable, connect the male connector to the PC Wake on LAN power cable (marked **P9** or **P12**).
- 5** Go to step 9 on page 2-2 to complete the installation.

Connecting the 2-Way Combined Wake on LAN Cable

It is important that you perform these steps in the order shown.

To install the Wake on LAN feature using the 2-way combined Wake on LAN cable (IBM PN 08L2559):

- 1** Connect one end of the 2-way combined Wake on LAN cable to the Wake on LAN 3-pin connector on the adapter as shown in Figure 2-3 on page 2-5.

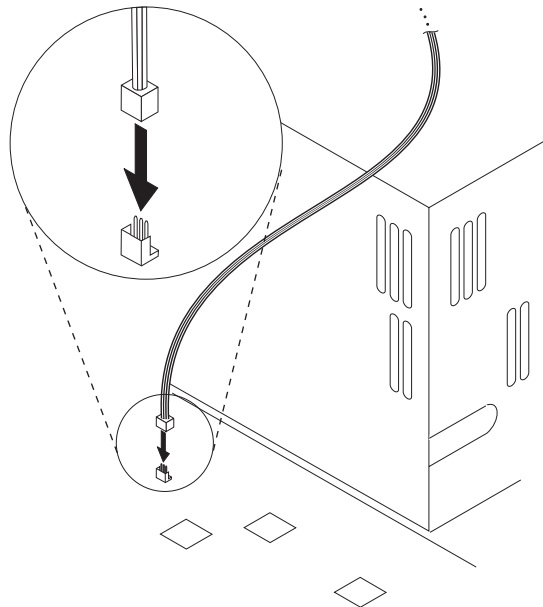


Figure 2-7. PC Wake on LAN Signal Connector (3-Pin)

- 2** Go to step 6 on page 2-2 to proceed with the adapter installation.



- 3** With your PC cover off, locate the 3-pin Wake on LAN connector on the planar, as shown in Figure 2-7. Connect the other end of the 2-way combined Wake on LAN cable to this 3-pin connector. Make sure that the cable is below the riser bracket so that it does not become dislodged or damaged when you close or open the PC cover.
- 4** Go to step 9 on page 2-2 to complete the installation.



Chapter 3. Dynamic Host Configuration Protocol and Remote Program Load

This chapter provides instructions for installing and programming the Dynamic Host Configuration Protocol and Remote Program Load (DHCP/RPL) Option on the IBM 10/100 EtherJet PCI Adapters.

In this chapter, the DHCP/RPL Option is referred to as the Flash module.

About the Flash Module

The DHCP and RPL ROM for IBM 10/100 EtherJet PCI Adapter Option (IBM PN 86H2856) contains the following items:

- A Flash module
- The DHCP/RPL Flash Utility Diskette

The Flash module is an option for the following IBM adapters:

- 10/100 EtherJet PCI Adapter PN 08L2549 FRU 08L2550
- 10/100 EtherJet PCI Adapter PN 86H2432 FRU 86H2423
- 10/100 EtherJet PCI Adapter with Wake on LAN PN 85H9921 FRU 85H9928

Note: Onboard ROM, preflashed with latest LSA code for DHCP PXE boot ready, is a standard feature on the latest 10/100 EtherJet PCI Adapters with Wake on LAN (PN 08L2566 or PN 30L5888 FRU 30L5929).

Installing the Flash Module

The instructions in this section guide you through the installation and programming of the module for correct operation.

The module must be correctly installed in the IBM 10/100 EtherJet PCI Adapter.

Note: The Flash module is not programmed: it is blank.



- 1 If the adapter is installed in a computer, remove the adapter from the computer by following the installation instructions in reverse order. Use the installation instructions in the adapter installation manual.
- 2 Place the adapter on a flat surface, component side up. The arrow in Figure 3-1 indicates the socket location for the Flash module.

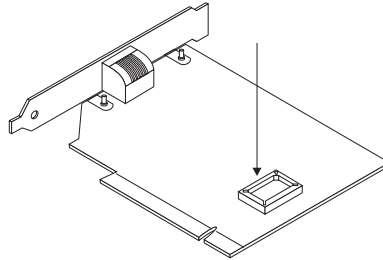


Figure 3-1. 10/100 EtherJet PCI Adapter

- 3 The Flash module has one corner that is angled. Align the angled corner with the arrow, as illustrated in Figure 3-2.



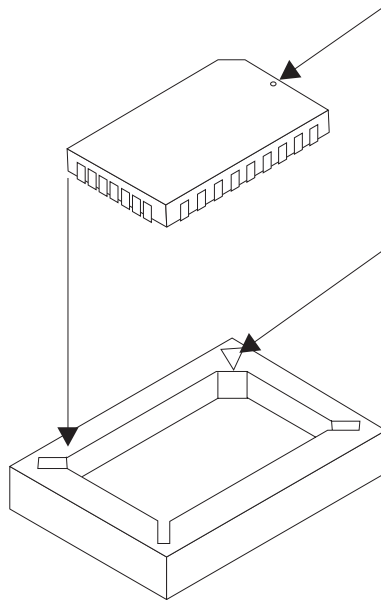


Figure 3-2. Match the Notches

- 4 Carefully insert the pins into the socket. Be sure to align the pins on the module with all the pins in the socket.
- 5 When all the pins are aligned, press on the top of the module until it is fully seated.
- 6 Examine the module from all sides to be certain that all pins are seated in the socket.
- 7 Install the adapter card in your computer, following the installation instructions in your adapter installation manual.



Programming the Flash Module

The Flash Module and adapter must already be installed before you can program the Flash Module.

You must also configure your PC to start up from the network in order for the DHCP or RPL process to work. See your PC documentation for more information about configuring start-up options.

Note: Only one adapter in your system can be programmed with the DHCP or RPL image. Only one adapter performs the DHCP or RPL boot operation.

- 1 Insert the Flash Utility diskette in your PC diskette drive and power on your system.

Note: The Flash Utility Diskette is a bootable diskette. Booting from diskette is the default configuration for most PCs. If the configuration for your PC has been changed, it must be configured so that the diskette drive is the device from which a boot is attempted. See your PC documentation for more information about configuring start-up options.

The Flash Utility will run an automatic test to verify that there is a valid, working adapter installed in your PC.

If the test fails, verify that you are using one of the IBM adapters that supports this Flash module. If you are using a valid adapter, refer to the adapter's installation and user's guide for additional testing and debugging information.

- 2 Select one of the following options:

DHCP	Selects a DHCP boot
RPL	Selects an RPL boot
Erase	Erases the Flash
Cancel	Exits the utility

After you make your selection, the utility automatically installs the selected image from the utility diskette onto the Flash module.

- 3 Remove the utility diskette from the diskette drive.
- 4 Reboot your PC when the utility prompts you to.

RPL Configuration

The RPL function enables a client computer to be booted by a server through the client's network adapter. The following requirements must be met in order for an RPL to occur.

- A LAN server that is configured for RPL support must be active on the network. Supported servers include:
 - IBM OS/2 LANServer 3.0 or higher
 - Novell NetWare 3.12 or higher
 - Windows NT 3.51 or higher
- The adapter in the client computer must have the RPL feature installed.
- This RPL feature supports IBM LAN Client Control Manager 1.1 or 2.x (LCCM 1.1 or LCCM 2.x).

Notes:

1. The RPL feature can be enabled on only one IBM 10/100 EtherJet PCI Adapter in any computer.
2. If the DHCP/RPL Flash module is installed in the IBM 10/100 EtherJet PCI Adapter and you program the Flash module as described in "Programming the Flash Module" on page 3-4, the adapter will attempt to RPL or perform a DHCP boot. This will happen every time your system unit boots.

The RPL function for this adapter uses the IBM FIND/FOUND protocol to perform the remote program load. Refer to the *IBM Personal System/2 Remote Program Load for Ethernet Network User's Guide*, FN S15F-2292 for information about the FIND/FOUND protocol.



RPL Messages

When it is programmed with the RPL image, the Flash module displays two types of messages during its operation:

- “Error Messages”
- “Standard Messages” on page 3-7

Error Messages

These messages could be displayed if there are errors or malfunctions during RPL operation.

100 LAN Adapter cannot be found.

Operator Response: Be sure the correct adapter is being used. See “About the Flash Module” on page 3-1 for a list of supported adapters.

Verify that the adapter is correctly seated in its PCI slot and that the slot is enabled for Busmaster operation configuration.

Refer to the adapter's documentation for additional information about testing the adapter.

101 LAN Adapter was unable to initialize.

Operator Response: Be sure the correct adapter is being used. See “About the Flash Module” on page 3-1 for a list of supported adapters.

Verify that the adapter is correctly seated in its PCI slot and that the slot is enabled for Busmaster operation in the system's configuration.

Refer to the adapter's documentation for additional information about testing the adapter.

102 LAN Adapter could not be reset.

Operator Response: Be sure the correct adapter is being used. See “About the Flash Module” on page 3-1 for a list of supported adapters.

Verify that the adapter is correctly seated in its PCI slot and that the slot is enabled for Busmaster operation in the system's configuration.

Refer to the adapter's documentation for additional information about testing the adapter.



103 There are multiple LAN Adapters in the system. Please specify the correct serial number in NET.CFG.

Operator Response: Add the serial number of the adapter to the NET.CFG file.

107 LAN Adapter failed the media test. Please check the cable and reboot the system unit.

Operator Response: Verify that the network cable is correctly connected to the adapter and reboot the system to run RPL again.

Refer to the adapter's documentation for additional information about cabling.

Standard Messages

These messages could be displayed during standard RPL operation.

RPL-ROM-ADR: xxxx xxxx xxxx

Explanation: The values displayed in the place of xxxx xxxx xxxx indicate the 12-character hexadecimal node address of the installed adapter. This address might be required for your RPL server to respond to your adapter.

Operator Response: You might need to supply this address to your server.

RPL-ROM-ERR: BADA; RPL Halted

Explanation: This message indicates that the RPL server sent a File Data Response frame with a Locate or Transfer address that is not valid.

Operator Response: Check your server configuration and retry. On a NetWare server, set the ACK bind time parameter for this requester. Refer to your NetWare documentation for information on setting the ACK parameter.

RPL-ROM-ERR: DExx; RPL Halted

Explanation: This message indicates that an internal error occurred in the RPL function.

Operator Response: Retry the operation. If you still experience problems, refer to your adapter's installation manual for information about obtaining service for your adapter.

RPL-ROM-ERR: • RPL-ROM-HSM:

RPL-ROM-ERR: RPL failed; returning control to system BIOS.

Explanation: The RPL function failed. This message occurs only on certain systems that are enabled for Plug and Play. The reason for the failure appears in the message prior to this one on your computer's display. System control is being returned to the system BIOS.

Operator Response: Refer to the other messages on your computer display.

RPL-ROM-FFC: nnnn

Explanation: The values displayed in the place of nnnn represent a decimal field that indicates the number of find frames sent by the RPL function.

An excessive find-frame count indicates that the RPL server is not present, is not configured to respond to your adapter's address, or is congested. If the system unit in which your adapter is installed has specific support for Plug and Play boot devices, then a maximum number of 50 find frames will be sent. If no response is received before the maximum number is sent, then this is considered to be an RPL failure, and control is returned to the system. The system can then attempt to boot from other installed devices.

Operator Response: Verify that your server is connected to the same network as your RPL requester and that the server has been configured to respond to your adapter's RPL request.

RPL-ROM-HSM: nn

Explanation: An error has occurred in the RPL module's internal device driver. The error number nn identifies the specific error.

Operator Response: The error messages for this driver have the format IBMEINWx-yy-*nnn*, where

x Is either C for Client or S for Server

yy Is OS/2, DOS, or NW

nnn Corresponds to the number following the RPL-ROM-HSM: message prefix.

For example, if the message is RPL-ROM-HSM: 54, then look up message IBMEINWx-yy-54. Take whatever action is recommended for the driver error.

RPL-ROM-IRQ: • RPL-ROM-SFC:

RPL-ROM-IRQ: nn

Explanation: A decimal field that indicates the interrupt level being used by your adapter.

Operator Response: No action required.

RPL-ROM-PIO: xx

Explanation: A 2-byte, hexadecimal field containing the programmed I/O (PIO) address being used by your adapter.

Operator Response: No action required.

RPL-ROM-SEQ: nnnn

Explanation: A decimal field containing the number that specifies the last valid sequence number received from the LAN server. The sequence number is included in each frame of the image file sent by the server to the RPL requester.

Operator Response: No action required.

RPL-ROM-SFC: nnnn

Explanation: A decimal field indicating the number of Send File Request frames sent by the your adapter to the RPL server. An excessive number of Send File Request frames indicates that the RPL server is not responding after it has been found.

Operator Response: Check your RPL server configuration.

DHCP Configuration

The DHCP (Dynamic Host Configuration Protocol) function provided with this Flash module enables a PC using an IBM 10/100 EtherJet PCI Adapter to download its configuration from a DHCP server. Among the information that can be downloaded from the DHCP server to a DHCP client is the IP address of the client, the subnet mask and the default gateway. The DHCP process uses the TCP/IP protocol. DHCP allows for dynamic allocation of client network addresses and configurations.

The following requirements must be met in order for the DHCP process to operate:

1. A DHCP server that is configured for DHCP client support must be active on the network. Supported servers are:
 - Intel LANdesk Configuration Manager (LCM). For additional information, point your web browser to **<http://www.intel.com>**.
 - IBM's LAN Client Control Manager 2.x (LCCM 2.x). For additional information, point your web browser to **<http://www.us.pc.ibm.com>**.
2. The adapter in the DHCP client PC must have the DHCP feature installed. Use the Flash module to install the DHCP feature.

Notes:

1. The DHCP feature should be enabled on only one IBM 10/100 EtherJet PCI Adapter in any computer.
2. If the DHCP/RPL Flash module is installed in the IBM 10/100 EtherJet PCI Adapter and you program the Flash module as described in "Programming the Flash Module" on page 3-4, the adapter will attempt to RPL or perform a DHCP boot. This will happen every time your system unit boots.
3. With the DHCP PXE code in the Flash module, it is normal to see one of the following messages during bootup, even if you are not running remote boot:
 - PXE-M04: Initializing network boot device using interrupt 18h.*
 - PXE-M04: Hooking bootstrap interrupt 18h.*This is to inform the user that the Flash module on the adapter is ready for PXE boot operation.

Chapter 4. Testing Your Adapters and Installing Device Drivers

This chapter contains information to assist you in testing your adapters and installing device drivers for your network environment.

Topics include:

- “Using the Help Files on the Diagnostics and Help Diskette”
- “Common Problems and Solutions” on page 4-2
- “Related Technical Topics” on page 4-4

Using the Help Files on the Diagnostics and Help Diskette

You can use the help files on the Installation diskette to guide you through the procedure for testing your adapters and installing the required device drivers for your operating system. There are also help files for using Wake on LAN or advanced features such as Adapter Teaming.

Note: You can view these files on a PC that does not have the 10/100 EtherJet PCI Adapter or 10/100 EtherJet PCI Adapter with Wake on LAN installed. For more information, see “Help Files” on page 1-6.

To access this information:

- 1** Start your PC without loading the drivers.

If your PC already has the adapter’s drivers installed, restart the PC without loading them.

If the drivers are loaded from the AUTOEXEC.BAT file, add *REM* in front of each line that loads a driver. Or, you can also boot from a DOS disk so that the drivers are not loaded.

- 2** Boot up your system with the Installation diskette. Or, with the diskette in drive A, switch to that drive and enter from a DOS prompt: **setup**.

3 If you have more than one 10/100 EtherJet PCI Adapter or 10/100 EtherJet PCI Adapter with Wake on LAN in your PC, the Board menu is displayed.

a Select the adapter you want to work with.

b Press **Enter**.

4 Select **View Help Files**.

A list of help files is displayed.

5 Select **Getting Started** for an introduction and instructions on how to proceed.

Common Problems and Solutions

Table 4-1 describes common problems and suggested solutions.

Table 4-1 (Page 1 of 3). Common Problems and Solutions

Problem	Action
The SETUP.EXE program reports the adapter's interrupt as 0 or 255.	The PCI BIOS is not configuring the adapter correctly. See "PCI Installation Tips" on page 4-5 for more information.
The SETUP.EXEC program indicates that there is <i>No PCI Bus</i> .	The PCI BIOS is not configuring the adapter correctly. See "PCI Installation Tips" on page 4-5 for more information.
The PC halts when loading drivers.	Change the PCI BIOS interrupt settings. See "PCI Installation Tips" on page 4-5 for more information.
The diagnostics are completed successfully, but the connection fails.	<ul style="list-style-type: none"> • Ensure that the network cable is securely attached. • Ensure that you are using category 5 cabling when operating at 100 Mbps.

Table 4-1 (Page 2 of 3). Common Problems and Solutions

Problem	Action
LNK LED does not light.	<ul style="list-style-type: none">• Ensure that you have loaded the network drivers.• Check all connections at the adapter and the hub.• Try another port on the hub.• If you forced duplex mode, ensure that you also force the speed to either 10 or 100 Mbps.• Ensure that the hub port is configured for the correct speed, 10 or 100 Mbps.• For Wake on LAN mode, the LNK LED is on even if the PC is powered off, indicating that the adapter is ready to receive a Wake on LAN packet. If the LNK LED does not light, verify that your Wake on LAN power cable is correctly connected. See "Connecting Your Wake on LAN Cables" on page 2-4 for more information.
ACT LED does not light.	<ul style="list-style-type: none">• Ensure that you have loaded the network drivers.• If you suspect that the network might be idle, try sending data from the workstation.• Try another adapter if the adapter is not transmitting or receiving data.
Data is corrupted or sporadic.	Ensure that you are using category 5 cabling when operating at 100 Mbps.

Table 4-1 (Page 3 of 3). Common Problems and Solutions

Problem	Action
The adapter stopped working when another adapter was added to the PC.	<ul style="list-style-type: none">• Ensure that the cable is connected to the 10/100 EtherJet PCI Adapter or 10/100 EtherJet PCI Adapter with Wake on LAN.• Ensure that your PCI system BIOS is current.• Try reseating the adapter.• See "PCI Installation Tips" on page 4-5 for more information.
The adapter stopped working without apparent cause.	<ul style="list-style-type: none">• Try reseating the adapter or try a different slot.• If the network driver files are missing or might be corrupted, reinstall the drivers.• Try a different 10/100 EtherJet PCI Adapter or 10/100 EtherJet PCI Adapter with Wake on LAN.
The adapter does not respond to a Wake on LAN packet.	<ul style="list-style-type: none">• Verify that the Wake on LAN cables are properly connected. See "Connecting Your Wake on LAN Cables" on page 2-4 for more information.• Ensure that your PC configuration has the Wake on LAN function enabled. See your system documentation for more information.

Related Technical Topics

This section contains additional technical topics of interest, such as:

- "PCI Installation Tips" on page 4-5
- "Fast Ethernet Cabling" on page 4-6
- "Fast Ethernet Hubs" on page 4-6

PCI Installation Tips

Some PCI PCs require additional steps to configure a PCI adapter. You might need to:

- Reserve interrupts (IRQs) or memory addresses or both for ISA adapters

- Enable the PCI slot and assign an IRQ

In some PCI PCs, you must use the PCI BIOS setup program to enable the PCI slot and assign an IRQ. This is especially common in PCI PCs with the Phoenix BIOS.

- Update your PCI BIOS

An updated PCI system BIOS can correct some PCI configuration problems. Contact your PC manufacturer to see whether an updated BIOS version is available for your PC. Phone numbers for the top PCI PC manufacturers are listed in the PCI Installation help file on the Diagnostics and Help diskette. ("Help Files" on page 1-6 describes how to access this information.)

- Configure the slot for level-triggered interrupts

The slot the adapter is using must be configured for level-triggered interrupts rather than edge-triggered interrupts. Check your PCI BIOS setup program.

Table 4-2 describes some of the common PCI BIOS setup program parameters.

Table 4-2 (Page 1 of 2). PCI BIOS Setup Program Parameters

Parameter Names	Values
PCI slot #:	Slot where the adapter is installed
Master:	ENABLED
Subordinate:	ENABLED
Latency timer:	40
Interrupt:	Choose any one of several that the BIOS setup provides.

Table 4-2 (Page 2 of 2). PCI BIOS Setup Program Parameters

Parameter Names	Values
Edge-level:	Level

Note: Parameter names can vary with different PCs.

Fast Ethernet Cabling

The 100BASE-TX specification supports 100-Mbps transmission over two or four pairs of twisted-pair Ethernet cabling. In two-pair cabling, one pair of cables is used for transmission, and the other is used for reception and collision detection.

Because a 125-MHz frequency is used on the wire, 100BASE-TX requires category 5 cabling.

Segment lengths are limited to 100 m (328 ft) with 100BASE-TX for signal-timing reasons.

Fast Ethernet Hubs

New hubs are becoming available to support a variety of Fast Ethernet LAN configurations. These hubs can be divided into two basic types: shared and switched. The 10/100 EtherJet PCI Adapter or the 10/100 EtherJet PCI Adapter with Wake on LAN can be used with either type of hub for 10-Mbps or 100-Mbps operation.

Shared Hubs

In a shared network environment, PCs are connected to hubs. A repeater is built into each port of the hub. All ports of the repeater hub share a fixed amount of bandwidth, or data capacity.

A 100-Mbps shared hub means that all nodes on the hub must share the 100 Mbps of bandwidth. As stations are added to the hub, the effective bandwidth available to any individual station becomes smaller.

Think of a shared repeater hub as a single-lane highway that everyone uses. As the number of vehicles on the highway increases, the traffic becomes congested and transit time for individual cars increases.

On a shared hub all nodes must operate at the same speed, either 10 Mbps or 100 Mbps. Fast Ethernet repeaters provide 100 Mbps of available bandwidth, ten times more than what is available with a 10BASE-T repeater. Repeaters use a well-established, uncomplicated design, making them highly cost-effective for connecting PCs within a workgroup. These are the most common type of Ethernet hubs in the installed base.

Switched Hubs

In a switched network environment, each port gets a fixed, dedicated amount of bandwidth.

In a switched environment, data is sent to only the port that leads to the correct destination station. Network bandwidth is not shared among all stations, and each new station added to the hub gets access to the full bandwidth of the network.

If a new user is added to a 100-Mbps switching hub, the new station receives its own dedicated 100-Mbps link and does not affect the 100-Mbps bandwidth of another station. Switching hubs can effectively increase the overall bandwidth available on the network, significantly improving performance.



Appendix. Notices

References in this publication to IBM products, programs, or services do not imply that IBM intends to make these available in all countries in which IBM operates. Any reference to an IBM product, program, or service in this publication is not intended to state or imply that only IBM's product, program, or service may be used. Any functionally equivalent product, program, or service that does not infringe any of IBM's intellectual property rights may be used instead of the IBM product, program, or service. Evaluation and verification of operation in conjunction with other products, programs, or services, except those expressly designated by IBM, are the user's responsibility.

IBM may have patents or pending patent applications covering subject matter in this document. The furnishing of this document does not give you any license to these patents. You can send license inquiries, in writing, to the IBM Director of Licensing, IBM Corporation, 500 Columbus Avenue, Thornwood NY 10594 USA.

Safety Notices

Telecommunications Safety Requirements in the United Kingdom

This IBM product is made to high safety standards. It complies inherently with telecommunications safety standard BS 6301. It is not designed to provide protection from excessive voltages appearing externally at its interfaces. Therefore, when this product is connected to a public telecommunications network via any other equipment, and you connect to this product items not supplied by IBM United Kingdom Ltd., you must comply with mandatory telecommunications safety requirements.

Statement of Compliance with the United Kingdom Telecommunications Act 1984

This apparatus is approved under approval number NS/G/1234/J/100003 for indirect connections to the public telecommunications systems in the United Kingdom.

Electronic Emission Notices

Federal Communications Commission (FCC) Statement

Note: This equipment has been tested and found to comply with the limits for a Class B digital device, pursuant to Part 15 of the FCC Rules. These limits are designed to provide reasonable protection against harmful interference in a residential installation. This equipment generates, uses, and can radiate radio frequency energy and, if not installed and used in accordance with the instructions, may cause harmful interference to radio communications. However, there is no guarantee that interference will not occur in a particular installation. If this equipment does cause harmful interference to radio or television reception, which can be determined by turning the equipment off and on, the user is encouraged to try to correct the interference by one or more of the following measures:

- Reorient or relocate the receiving antenna.
- Increase the separation between the equipment and receiver.
- Connect the equipment into an outlet on a circuit different from that to which the receiver is connected.
- Consult an IBM authorized dealer or service representative for help.

Properly shielded and grounded cables and connectors must be used in order to meet FCC emission limits. Proper cables and connectors are available from IBM authorized dealers. IBM is not responsible for any radio or television interference caused by using other than recommended cables and connectors or by unauthorized changes or modifications to this equipment. Unauthorized changes or modifications could void the user's authority to operate the equipment.

This device complies with Part 15 of the FCC Rules. Operation is subject to the following two conditions: (1) this device may not cause harmful interference, and (2) this device must accept any interference received, including interference that may cause undesired operation.

Industry Canada Class B Emission Compliance Statement

This Class B digital apparatus complies with Canadian ICES-003.

Avis de conformité aux normes d'Industrie Canada

Cet appareil numérique de la classe B est conforme à la norme NMB-003 du Canada.

European Norm (EN) Statement

This product is in conformity with the protection requirements of EC Council Directive 89/336/EEC on the approximation of the laws of the Member States relating to electromagnetic compatibility.

IBM cannot accept responsibility for any failure to satisfy the protection requirements resulting from a non-recommended modification of the product, including the fitting of non-IBM option cards.

Properly shielded and grounded cables and connectors must be used in order to reduce the potential for causing interference to radio and TV communications and to other electrical or electronic equipment. IBM cannot accept responsibility for any interference caused by using other than recommended cables and connectors.

Hinweis zur Elektromagnetischen Verträglichkeit (EMVG)

Dieses Gerät ist berechtigt in Übereinstimmung mit dem deutschen EMVG vom 9.Nov.92 das EG-Konformitätszeichen zu führen.

Der Aussteller der Konformitätserklärung ist die

IBM Deutschland Informationssysteme GmbH
70548 Stuttgart

Dieses Gerät erfüllt die Bedingungen der EN 55022 Klasse B.

Japanese Voluntary Control Council for Interference (VCCI) Statement

This product is a Class B Information Technology Equipment and conforms to the standards set by the Voluntary Control Council for Interference by Technology Equipment (VCCI). This product is aimed to be used in a domestic environment. When used near a radio or TV receiver, it may become the cause of radio interference. Read the instructions for correct handling.

この装置は、情報処理装置等電波障害自主規制協議会（VCCI）の基準に基づくクラスB情報技術装置です。この装置は、家庭環境で使用することを目的としていますが、この装置がラジオやテレビジョン受信機に近接して使用されると、受信障害を引き起こすことがあります。
取扱説明書に従って正しい取り扱いをして下さい。

Trademarks

The following terms are trademarks of the IBM Corporation in the United States or other countries or both:

AIX	Operating System/2
AS/400	OS/2
Etherjet	SAA
HelpCenter	Systems Application Architecture
IBM	ValuePoint
LANStreamer	Wake on LAN
Micro Channel	

LANDesk® is a trademark or registered trademark of Intel Corporation in the U.S. and other countries.

Microsoft, Windows, Windows NT, and the Windows 95 logo are trademarks or registered trademarks of Microsoft Corporation.

Other company, product and service names may be trademarks or service marks of other companies.



International Business Machines
Corporation

Armonk, NY
10504

Statement of Limited Warranty

The warranties provided by IBM in this Statement of Limited Warranty apply only to Machines you originally purchase for your use, and not for resale, from IBM or an IBM authorized reseller. The term "Machine" means an IBM machine, its features, conversions, upgrades, elements, or accessories, or any combination of them. Machines are subject to these terms only if purchased in the United States or Puerto Rico, or Canada, and located in the country of purchase. If you have any questions, contact IBM or your reseller.

Machine 10/100 EtherJet PCI Adapter
10/100 EtherJet PCI Adapter with Wake on LAN

Warranty Period* Lifetime

**Elements and accessories are warranted for three months. Contact your place of purchase for warranty service information.*

Production Status

Each Machine is manufactured from new parts, or new and serviceable used parts (which perform like new parts). In some cases, the Machine may not be new and may have been previously installed. Regardless of the Machine's production status, IBM's warranty terms apply.

The IBM Warranty

IBM warrants that each Machine 1) is free from defects in materials and workmanship and 2) conforms to IBM's Official Published Specifications. IBM calculates the expiration of the warranty period from the Machine's Date of Installation. The date on your receipt is the Date of Installation, unless IBM or your reseller informs you otherwise.

During the warranty period, IBM or your reseller will provide warranty service under the type of service designated for the Machine and will manage and install engineering changes that apply to the Machine. IBM or your reseller will specify the type of service.

For a feature, conversion, or upgrade, IBM or your reseller may require that the Machine on which it is installed be 1) the designated, serial-numbered Machine and 2) at an engineering-change level compatible with the feature, conversion, or upgrade. Some of these transactions (called "Net-Priced" transactions) may include additional parts and associated replacement parts that are provided on an exchange basis. All removed parts become the property of IBM and must be returned to IBM.

Replacement parts assume the remaining warranty of the parts they replace.

If a Machine does not function as warranted during the warranty period, IBM in its sole discretion will repair, replace it (with a Machine that is at least functionally equivalent), or refund the purchase price. To obtain coverage under the warranty you may be required to present proof of purchase.

This warranty is non-transferable by the end-user customer.

Warranty Service

To obtain warranty service for the Machine, you should contact your reseller or call IBM. In the United States, call IBM at **1-800-426-7299**. In Canada, call IBM at **1-800-565-3344**. You may be required to present proof of purchase.

Depending on the Machine, the service may be 1) a "Repair" service at your location (called "On-site") or at one of IBM's or a reseller's service locations (called "Carry-in") or 2) an "Exchange" service, either On-site or Carry-in.

When a type of service involves the exchange of a Machine or part, the item IBM or your reseller replaces becomes its property and the replacement becomes yours. The replacement may not be new, but will be in good working order and at least functionally equivalent to the item replaced.

It is your responsibility to:

1. obtain authorization from the owner (for example, your lessor) to have IBM or your reseller service a Machine that you do not own;
2. where applicable, before service is provided —
 - a. follow the problem determination, problem analysis, and service request procedures that IBM or your reseller provide,
 - b. secure all programs, data, and funds contained in a Machine,
 - c. inform IBM or your reseller of changes in a Machine's location, and
 - d. for a Machine with exchange service, remove all features, parts, options, alterations, and attachments not under warranty service. Also, the Machine must be free of any legal obligations or restrictions that prevent its exchange; and
3. be responsible for loss of, or damage to, a Machine in transit when you are responsible for the transportation charges.

Extent of Warranty

IBM does not warrant uninterrupted or error-free operation of a Machine.

Misuse, accident, modification, unsuitable physical or operating environment, improper maintenance by you, or failure caused by a product for which IBM is not responsible may void the warranties.

THESE WARRANTIES REPLACE ALL OTHER WARRANTIES, EXPRESS OR IMPLIED, INCLUDING, BUT NOT LIMITED TO, THE IMPLIED WARRANTIES OF MERCHANTABILITY AND FITNESS FOR A PARTICULAR PURPOSE. HOWEVER, SOME LAWS DO NOT ALLOW THE EXCLUSION OF IMPLIED WARRANTIES. IF THESE LAWS APPLY, THEN ALL EXPRESS AND IMPLIED WARRANTIES ARE LIMITED IN DURATION TO THE WARRANTY PERIOD. NO WARRANTIES APPLY AFTER THAT PERIOD.

In Canada, warranties include both warranties and conditions.

Some jurisdictions do not allow limitations on how long an implied warranty lasts, so the above limitation may not apply to you.

Limitation of Liability

Circumstances may arise where, because of a default on IBM's part (including fundamental breach) or other liability (including negligence and misrepresentation), you are entitled to recover damages from IBM. In each such instance, regardless of the basis on which you are entitled to claim damages, IBM is liable only for:

1. bodily injury (including death), and damage to real property and tangible personal property; and
2. the amount of any other actual loss or damage, up to the greater of \$100,000 or the charge for the Machine that is the subject of the claim.

Under no circumstances is IBM liable for any of the following:

1. third-party claims against you for losses or damages (other than those under the first item listed above);
2. loss of, or damage to, your records or data; or
3. economic consequential damages (including lost profits or savings) or incidental damages, even if IBM is informed of their possibility.

Some jurisdictions do not allow the exclusion or limitation of incidental or consequential damages, so the above limitation or exclusion may not apply to you.

This warranty gives you specific legal rights and you may also have other rights which vary from jurisdiction to jurisdiction.

Index

A

- accessing
 - help files 4-1
 - help information 1-6
 - product support 1-7
- adapter
 - cable
 - address 2-4
 - category 2-3
 - combined signal and power 2-5
 - Fast Ethernet 4-6
 - power 2-6
 - signal 2-6
 - Wake on LAN 2-4, 2-7, 2-9
 - features 1-1
 - installation
 - checklist 1-5
 - common problems 4-2
 - device drivers 4-1
 - instructions 2-1
 - PCI tips 4-5
 - introduction 1-1
 - kit contents 1-5
 - testing 4-1
- address, adapter 2-4

B

- BBS, downloading code from 1-7

C

- cable
 - adapter 2-3
 - combined signal and power 2-5
 - connecting to the adapter 2-3

cable (*continued*)

- power, connecting 2-6
- signal, connecting 2-6
- checklist, installation 1-5
- code, downloading from the BBS or Internet 1-7
- common installation problems 4-2
- connecting the adapter cable 2-3

D

- device drivers, installing 4-1
- DHCP/RPL 1-4
- Dynamic Host Configuration Protocol 1-4

E

- Ethernet address 2-4
- expansion slot 2-1

F

- Fast Ethernet cabling 4-6
- fault tolerance feature 1-3
- features
 - adapter 1-1
 - Wake on LAN 1-3

H

- help files, accessing 1-6, 4-1
- hubs
 - Fast Ethernet 4-6
 - shared 4-6
 - switched 4-7



I

- inserting the adapter 2-1
- installation
 - adapter 2-1
 - cable 2-3
 - checklist 1-5
 - common problems 4-2
 - PCI tips 4-5
- Internet, downloading code from 1-7

K

- kit contents 1-5

L

- label, Ethernet address 2-4
- LANDesk Service Agent code
 - LANDesk Configuration 1-4

M

- MAC address 2-4

N

- node address 2-4
- notices
 - electronic emission A-1
 - safety A-1
 - trademarks A-5

O

- operating system updates 1-4

P

- parameters
 - PCI BIOS setup program 4-5

PCI

- BIOS setup program
 - parameters 4-5
 - installation tips 4-5
 - updates 1-4
- placing the adapter 2-1
- prerequisites, operating system 1-4
- problems, installation 4-2
- product help files, accessing 1-6
- product support, accessing 1-7

R

- remote client boot 1-4
- Remote Program Load 1-4
- RPL/DHCP 1-4

S

- safety notices A-1
- statement of limited warranty A-6
- support, product 1-7

T

- testing your adapter 4-1
- tips, PCI installation 4-5
- trademarks A-5

W

- Wake on LAN
 - cable connection
 - combined signal and power cable 2-4, 2-9
 - single cable 2-4, 2-7
 - single signal cable 2-4, 2-7
 - features 1-3
 - warranty A-6

Tell Us What You Think!

**10/100 EtherJet PCI Adapter
10/100 EtherJet PCI Adapter with Wake on LAN
Installation and User's Guide**

Part Number 30L5885

We hope you find this publication useful, readable, and technically accurate, but only you can tell us! Your comments and suggestions will help us improve our technical publications. Please take a few minutes to let us know what you think by completing this form. If you are in the U.S.A., you can mail this form postage free or fax it to us at 1-800-253-3520. Elsewhere, your local IBM branch office or representative will forward your comments or you may mail them directly to us.

Overall, how satisfied are you with the information in this book?

Satisfied

Dissatisfied

How satisfied are you that the information in this book is:

Satisfied

Dissatisfied

Accurate

Complete

Easy to find

Easy to understand

Well organized

Applicable to your task

Specific comments or problems:

Please tell us how we can improve this book:

Thank you for your comments. If you would like a reply, provide the necessary information below.

Name

Address

Company or Organization

Phone No.

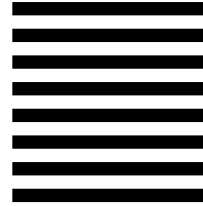


NO POSTAGE
NECESSARY
IF MAILED IN THE
UNITED STATES



BUSINESS REPLY MAIL

FIRST-CLASS MAIL PERMIT NO. 40 ARMONK, NEW YORK



POSTAGE WILL BE PAID BY ADDRESSEE

Design & Information Development
Dept. CGF/Bldg. 656
International Business Machines Corporation
PO BOX 12195
RESEARCH TRIANGLE PARK NC 27709-9990



Fold and Tape

Please do not staple

Fold and Tape

Tell Us What You Think!







Part Number: 30L5885

Printed in U.S.A.

