

IMS  
Version 14

*Commands, Volume 3:  
IMS Component and z/OS Commands  
(February 27, 2018 edition)*

**IBM**



IMS  
Version 14

*Commands, Volume 3:  
IMS Component and z/OS Commands  
(February 27, 2018 edition)*



**Note**

Before you use this information and the product it supports, read the information in “Notices” on page 753.

February 27, 2018 edition.

This edition applies to IMS 14 (program number 5635-A05), IMS Database Value Unit Edition, V14.01.00 (program number 5655-DSE), IMS Transaction Manager Value Unit Edition, V14.01.00 (program number 5655-TM3), and to all subsequent releases and modifications until otherwise indicated in new editions.

© **Copyright IBM Corporation 1974, 2017.**

US Government Users Restricted Rights – Use, duplication or disclosure restricted by GSA ADP Schedule Contract with IBM Corp.

---

# Contents

<b>About this information . . . . .</b>	<b>vii</b>
Prerequisite knowledge . . . . .	vii
How new and changed information is identified . . . . .	vii
How to read syntax diagrams . . . . .	viii
Accessibility features for IMS 14 . . . . .	ix
How to send your comments . . . . .	x

---

## **Part 1. Base Primitive Environment commands . . . . . 1**

<b>Chapter 1. Introduction to the BPE commands . . . . .</b>	<b>3</b>
--	----------

<b>Chapter 2. BPE DISPLAY VERSION command . . . . .</b>	<b>7</b>
---	----------

<b>Chapter 3. BPE TRACETABLE commands . . . . .</b>	<b>9</b>
BPE DISPLAY TRACETABLE command . . . . .	9
BPE UPDATE TRACETABLE command . . . . .	15

<b>Chapter 4. BPE USEREXIT commands 23</b>	
BPE DISPLAY USEREXIT command . . . . .	23
BPE REFRESH USEREXIT command . . . . .	30

---

## **Part 2. Common Service Layer commands . . . . . 37**

<b>Chapter 5. CSL SHUTDOWN command 39</b>	
---	--

<b>Chapter 6. STOP csjob commands . . . 41</b>	
--	--

---

## **Part 3. Common Queue Server command . . . . . 43**

<b>Chapter 7. STOP cqsjob command. . . 45</b>	
---	--

---

## **Part 4. DBRC commands . . . . . 47**

<b>Chapter 8. Introduction to the DBRC commands . . . . .</b>	<b>49</b>
DBRC batch commands . . . . .	49
DBRC online commands . . . . .	50
DBRC command syntax . . . . .	50
DBRC time stamps . . . . .	52

<b>Chapter 9. BACKUP.RECON command 61</b>	
---	--

## **Chapter 10. CHANGE commands . . . . 63**

CHANGE.ADS command . . . . .	63
CHANGE.BKOUT command . . . . .	64
CHANGE.CA command . . . . .	66
CHANGE.CAGRP command . . . . .	69
CHANGE.DB command . . . . .	72
CHANGE.DBDS command . . . . .	85
CHANGE.DBDSGRP command . . . . .	95
CHANGE.IC command . . . . .	97
CHANGE.PART command . . . . .	100
CHANGE.PRILOG OLDS command . . . . .	108
CHANGE.PRILOG RLDS command . . . . .	110
CHANGE.PRILOG SLDS command . . . . .	115
CHANGE.PRILOG TSLDS command . . . . .	119
CHANGE.RECON command . . . . .	123
CHANGE.SECLOG OLDS command . . . . .	138
CHANGE.SECLOG RLDS command . . . . .	140
CHANGE.SECLOG SLDS command . . . . .	144
CHANGE.SECLOG TSLDS command . . . . .	149
CHANGE.SG command . . . . .	153
CHANGE.SUBSYS command . . . . .	154
CHANGE.UIC command . . . . .	157

<b>Chapter 11. CLEANUP.RECON command . . . . .</b>	<b>159</b>
--	------------

## **Chapter 12. DELETE commands . . . . 173**

DELETE.ADS command . . . . .	173
DELETE.ALLOC command . . . . .	174
DELETE.BKOUT command . . . . .	175
DELETE.CA command . . . . .	175
DELETE.CAGRP command . . . . .	176
DELETE.DB command . . . . .	177
DELETE.DBDS command . . . . .	178
DELETE.DBDSGRP command . . . . .	179
DELETE.GSG command . . . . .	179
DELETE.IC command . . . . .	180
DELETE.LOG command (for OLDS). . . . .	181
DELETE.LOG command (for RLDS and SLDS) . . . . .	182
DELETE.PART command . . . . .	185
DELETE.RECOV command . . . . .	186
DELETE.REORG command . . . . .	187
DELETE.SG command . . . . .	188
DELETE.SUBSYS command . . . . .	189
DELETE.UIC command . . . . .	189

## **Chapter 13. GENJCL commands . . . . 191**

GENJCL.ARCHIVE command . . . . .	191
GENJCL.CA command . . . . .	195
GENJCL.CLOSE command . . . . .	200
GENJCL.IC command . . . . .	203
GENJCL.OIC command . . . . .	220

GENJCL.RECEIVE command . . . . .	225
GENJCL.RECOV command. . . . .	230
GENJCL.USER command . . . . .	236
Skeletal JCL for DBRC . . . . .	241
Generating JCL and user-defined output . . . . .	241
Using IBM-supplied skeletal JCL . . . . .	242
Skeletal JCL data set members. . . . .	243
Skeletal JCL syntax . . . . .	244
Symbolic keywords recognized by DBRC . . . . .	268
IBM-supplied skeletal JCL execution members . . . . .	277
<b>Chapter 14. INIT commands . . . . .</b>	<b>303</b>
INIT.ADS command . . . . .	303
INIT.CA command . . . . .	305
INIT.CAGRP command . . . . .	307
INIT.DB command . . . . .	309
INIT.DBDS command . . . . .	315
INIT.DBDSGRP command . . . . .	321
INIT.GSG command . . . . .	323
INIT.IC command . . . . .	324
INIT.PART command. . . . .	326
INIT.RECON command . . . . .	333
INIT.SG command. . . . .	340
<b>Chapter 15. LIST commands . . . . .</b>	<b>343</b>
LIST.BKOUT command . . . . .	343
LIST.CAGRP command . . . . .	344
LIST.DB command . . . . .	346
LIST.DBDS command. . . . .	349
LIST.DBDSGRP command . . . . .	351
LIST.GSG command . . . . .	353
LIST.HISTORY command . . . . .	355
LIST.LOG command (for a PRILOG family) . . . . .	358
LIST.LOG command (for a category of records) . . . . .	359
LIST.RECON command . . . . .	363
LIST.SUBSYS command . . . . .	366
<b>Chapter 16. NOTIFY commands . . . . .</b>	<b>369</b>
NOTIFY.ALLOC command . . . . .	369
NOTIFY.BKOUT command . . . . .	371
NOTIFY.CA command . . . . .	372
NOTIFY.IC command . . . . .	376
NOTIFY.PRILOG command (for OLDS) . . . . .	380
NOTIFY.PRILOG command (for RLDS). . . . .	383
NOTIFY.PRILOG command (for SLDS and TSLDS) . . . . .	388
NOTIFY.RECOV command . . . . .	393
NOTIFY.REORG command . . . . .	396
NOTIFY.SECLOG command (for OLDS) . . . . .	401
NOTIFY.SECLOG command (for RLDS) . . . . .	404
NOTIFY.SECLOG command (for SLDS and TSLDS) . . . . .	408
NOTIFY.SUBSYS command. . . . .	412
NOTIFY.UIC command . . . . .	414

<b>Chapter 17. RESET.GSG command . . . . .</b>	<b>417</b>
<b>Chapter 18. REPAIR.RECON command . . . . .</b>	<b>419</b>
<b>Chapter 19. Sample listings from the RECON data set . . . . .</b>	<b>423</b>
Sample listing of LIST.DB command output . . . . .	423
Sample listing of LIST.HISTORY command output . . . . .	423
Sample listing of a RECON data set at the active site . . . . .	430
Sample listing of a RECON data set at the tracking site . . . . .	449
Fields in a RECON listing, by record type . . . . .	466
RECON record fields . . . . .	466
Log record fields . . . . .	471
LOGALL record fields . . . . .	473
Online log record fields . . . . .	474
GSG record fields . . . . .	475
SSYS record fields . . . . .	476
BACKOUT record fields. . . . .	477
CAGRP record fields . . . . .	478
CA record fields . . . . .	479
Data group record fields. . . . .	481
DB (IMS) record fields . . . . .	481
DB (HALDB) record fields . . . . .	483
DB (PART) record fields . . . . .	484
DB (Fast Path) record fields . . . . .	489
DBDS (non-Fast Path) record fields . . . . .	490
DBDS (Fast Path) record fields . . . . .	491
ALLOC record fields . . . . .	495
IMAGE record fields . . . . .	496
REORG record fields . . . . .	498
RECOV record fields . . . . .	499

---

**Part 5. Fast Database Recovery commands . . . . . 501**

<b>Chapter 20. MODIFY fdbproc commands . . . . .</b>	<b>503</b>
F fdbproc,DUMP . . . . .	503
F fdbproc,RECOVER . . . . .	503
F fdbproc,STATUS . . . . .	503
F fdbproc,STOP . . . . .	505
F fdbproc,TERM . . . . .	505

<b>Chapter 21. START fdbproc command . . . . .</b>	<b>507</b>
--	------------

---

**Part 6. IMS Connect commands . . . . . 509**

**Chapter 22. Equivalent IMS Connect  
WTOR, z/OS, and type-2 commands. . . . . 511**

**Chapter 23. IMS Connect type-2  
commands . . . . . 517**

**Chapter 24. IMS Connect WTOR  
commands . . . . . 519**

CLOSEHWS command . . . . .	519
OPENDS command . . . . .	521
OPENIP command . . . . .	522
OPENPORT command . . . . .	523
RECORDER command . . . . .	524
REFRESH CONVERTER command . . . . .	525
REFRESH RACFUID command . . . . .	527
SETOAUTO command . . . . .	528
SETPWMC command . . . . .	529
SETRACF command . . . . .	531
SETRRS command. . . . .	532
SETUIDC command . . . . .	533
STARTDS command . . . . .	534
STARTIA command . . . . .	535
STARTIP command . . . . .	536
STARTMSC command . . . . .	538
STARTOD command . . . . .	539
STARTPT command . . . . .	540
STARTRMT command . . . . .	541
STOPCLNT command . . . . .	543
STOPDS command . . . . .	544
STOPIA command. . . . .	545
STOPIP command. . . . .	547
STOPLINK command . . . . .	548
STOPMSC command . . . . .	550
STOPOD command . . . . .	551
STOPPORT command . . . . .	552
STOPRMT command. . . . .	554
STOPSCLN command . . . . .	555
VIEWDS command . . . . .	557
VIEWHWS command . . . . .	562
VIEWIA command . . . . .	586
VIEWIP command. . . . .	589
VIEWMSC command. . . . .	590
VIEWPORT command . . . . .	595
VIEWRMT command. . . . .	600
VIEWUOR command. . . . .	604

**Chapter 25. IMS Connect z/OS  
commands . . . . . 607**

IMS Connect z/OS command syntax . . . . .	607
IMS Connect DELETE CLIENT command . . . . .	608
IMS Connect DELETE LINK command. . . . .	609
IMS Connect DELETE SENDCLNT command . . . . .	611
IMS Connect QUERY ALIAS command. . . . .	613
IMS Connect QUERY DATASTORE command . . . . .	614
IMS Connect QUERY IMSPLEX command. . . . .	619
IMS Connect QUERY MEMBER command . . . . .	621
IMS Connect QUERY MSC command . . . . .	645
IMS Connect QUERY PORT command . . . . .	650
IMS Connect QUERY RMTIMSCON command . . . . .	655

IMS Connect QUERY UOR command . . . . .	659
IMS Connect SHUTDOWN MEMBER command . . . . .	661
IMS Connect UPDATE ALIAS command . . . . .	662
IMS Connect UPDATE CONVERTER command . . . . .	663
IMS Connect UPDATE DATASTORE command . . . . .	665
IMS Connect UPDATE IMSPLEX command . . . . .	666
IMS Connect UPDATE MEMBER command . . . . .	668
IMS Connect UPDATE MSC command. . . . .	671
IMS Connect UPDATE ODBM command . . . . .	673
IMS Connect UPDATE PORT command . . . . .	675
IMS Connect UPDATE RACFUID command . . . . .	676
IMS Connect UPDATE RMTIMSCON command . . . . .	677

---

**Part 7. IMS control region  
commands . . . . . 681**

**Chapter 26. MODIFY imsproc  
commands . . . . . 683**

F jobname,DUMP . . . . .	683
F jobname,DUMPxxxx . . . . .	683
F jobname,FORCExxxx . . . . .	684
F jobname,RECONNECT . . . . .	685
F jobname,RECONNSTR . . . . .	686
F jobname,STOP . . . . .	687
F jobname,STOPxxxx . . . . .	687

---

**Part 8. IMS Transport Manager  
Subsystem commands . . . . . 689**

**Chapter 27. DEFINE command . . . . . 691**

**Chapter 28. DISPLAY command . . . . . 693**

**Chapter 29. SET command . . . . . 701**

**Chapter 30. START command . . . . . 703**

**Chapter 31. STOP command . . . . . 705**

---

**Part 9. IRLM commands. . . . . 707**

**Chapter 32. MODIFY irlmproc  
commands . . . . . 709**

F irlmproc,ABEND . . . . .	709
F irlmproc,DIAG,HANG. . . . .	710
F irlmproc,PURGE,imsname . . . . .	711
F irlmproc,SET . . . . .	712
F irlmproc,STATUS . . . . .	715

<b>Chapter 33. START irlmproc command</b>	<b>721</b>
<b>Chapter 34. STOP irlmproc command</b>	<b>725</b>
<b>Chapter 35. TRACE CT command</b>	<b>727</b>
<hr/>	
<b>Part 10. Open Database Access commands</b>	<b>731</b>
<b>Chapter 36. CANCEL ODBA command</b>	<b>733</b>
<b>Chapter 37. FORCE ODBA command</b>	<b>735</b>
<hr/>	
<b>Part 11. Repository Server commands</b>	<b>737</b>
<b>Chapter 38. MODIFY reposervername commands</b>	<b>739</b>
F reposervername,ADMIN	739

F reposervername,AUDIT	743
F reposervername,SECURITY	744
F reposervername,SHUTDOWN	745

<b>Chapter 39. P reposervername command</b>	<b>749</b>
---	------------

<b>Part 12. Appendixes</b>	<b>751</b>
----------------------------	------------

<b>Notices</b>	<b>753</b>
Trademarks	755
Terms and conditions for product documentation	755
IBM Online Privacy Statement	756

<b>Bibliography</b>	<b>757</b>
---------------------	------------

<b>Index</b>	<b>X-1</b>
--------------	------------



---

## About this information

These topics provide command syntax and usage information for various types of IMS™ commands, such as: Base Primitive Environment (BPE); Common Service Layer (CSL); Database Recovery Control (DBRC) facility; IMS Transport Manager Subsystem (TMS); Repository Server, IMS Connect; and the z/OS® commands for IMS. Information about IMS type-1 and type-2 commands is in *IMS Version 14 Commands, Volume 1: IMS Commands A-M* and *IMS Version 14 Commands, Volume 2: IMS Commands N-V*.

This information is available in IBM® Knowledge Center.

---

## Prerequisite knowledge

Before using this information, you should have knowledge of either IMS Database Manager (DB) or IMS Transaction Manager (TM). You should also understand basic z/OS and IMS concepts, your installation's IMS system, and have general knowledge of the tasks involved in project planning.

**Recommendation:** Before using this information, you should be familiar with the following resources:

- *IMS Version 14 Operations and Automation*
- *z/OS JES2 Commands*
- *z/OS JES3 Commands*
- *z/OS MVS™ System Commands*

You can learn more about z/OS by visiting the “z/OS basic skills” topics in IBM Knowledge Center.

You can gain an understanding of basic IMS concepts by reading *An Introduction to IMS*, an IBM Press publication.

IBM offers a wide variety of classroom and self-study courses to help you learn IMS. For a complete list of courses available, go to the IBM Skills Gateway and search for IMS.

---

## How new and changed information is identified

New and changed information in most IMS library PDF publications is denoted by a character (revision marker) in the left margin. The first edition (-00) of *Release Planning*, as well as the *Program Directory* and *Licensed Program Specifications*, do not include revision markers.

Revision markers follow these general conventions:

- Only technical changes are marked; style and grammatical changes are not marked.
- If part of an element, such as a paragraph, syntax diagram, list item, task step, or figure is changed, the entire element is marked with revision markers, even though only part of the element might have changed.
- If a topic is changed by more than 50%, the entire topic is marked with revision markers (so it might seem to be a new topic, even though it is not).

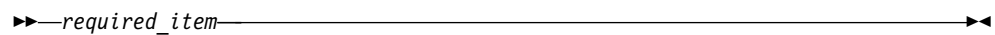
Revision markers do not necessarily indicate all the changes made to the information because deleted text and graphics cannot be marked with revision markers.

---

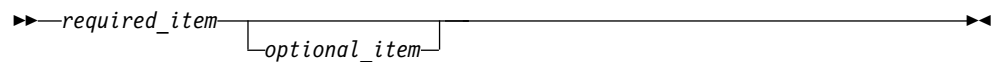
## How to read syntax diagrams

The following rules apply to the syntax diagrams that are used in this information:

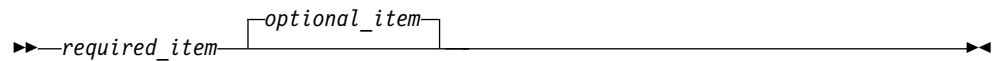
- Read the syntax diagrams from left to right, from top to bottom, following the path of the line. The following conventions are used:
  - The >>--- symbol indicates the beginning of a syntax diagram.
  - The ---> symbol indicates that the syntax diagram is continued on the next line.
  - The >--- symbol indicates that a syntax diagram is continued from the previous line.
  - The --->< symbol indicates the end of a syntax diagram.
- Required items appear on the horizontal line (the main path).



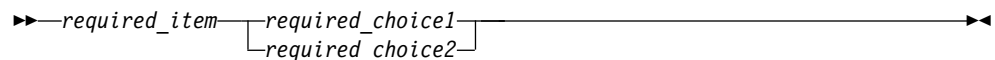
- Optional items appear below the main path.



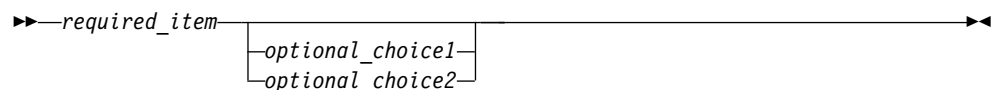
If an optional item appears above the main path, that item has no effect on the execution of the syntax element and is used only for readability.



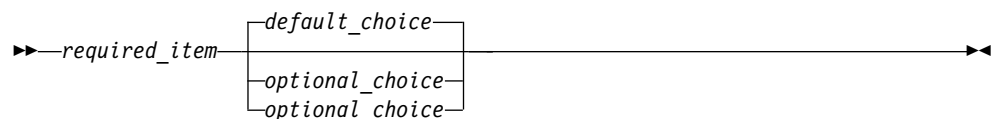
- If you can choose from two or more items, they appear vertically, in a stack. If you *must* choose one of the items, one item of the stack appears on the main path.



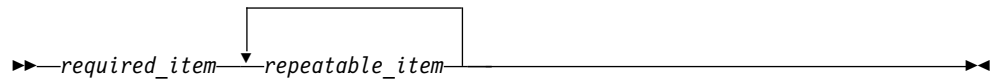
If choosing one of the items is optional, the entire stack appears below the main path.



If one of the items is the default, it appears above the main path, and the remaining choices are shown below.



- An arrow returning to the left, above the main line, indicates an item that can be repeated.

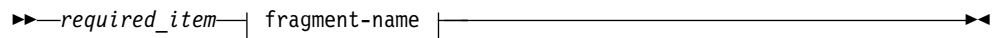


If the repeat arrow contains a comma, you must separate repeated items with a comma.

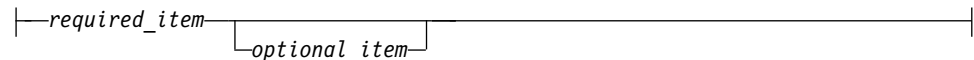


A repeat arrow above a stack indicates that you can repeat the items in the stack.

- Sometimes a diagram must be split into fragments. The syntax fragment is shown separately from the main syntax diagram, but the contents of the fragment should be read as if they are on the main path of the diagram.



**fragment-name:**



- In IMS, a b symbol indicates one blank position.
- Keywords, and their minimum abbreviations if applicable, appear in uppercase. They must be spelled exactly as shown. Variables appear in all lowercase italic letters (for example, *column-name*). They represent user-supplied names or values.
- Separate keywords and parameters by at least one space if no intervening punctuation is shown in the diagram.
- Enter punctuation marks, parentheses, arithmetic operators, and other symbols, exactly as shown in the diagram.
- Footnotes are shown by a number in parentheses, for example (1).

---

## Accessibility features for IMS 14

Accessibility features help a user who has a physical disability, such as restricted mobility or limited vision, to use information technology products successfully.

### Accessibility features

The following list includes the major accessibility features in z/OS products, including IMS 14. These features support:

- Keyboard-only operation.
- Interfaces that are commonly used by screen readers and screen magnifiers.
- Customization of display attributes such as color, contrast, and font size.

## Keyboard navigation

You can access IMS 14 ISPF panel functions by using a keyboard or keyboard shortcut keys.

For information about navigating the IMS 14 ISPF panels using TSO/E or ISPF, refer to the *z/OS TSO/E Primer*, the *z/OS TSO/E User's Guide*, and the *z/OS ISPF User's Guide Volume 1*. These guides describe how to navigate each interface, including the use of keyboard shortcuts or function keys (PF keys). Each guide includes the default settings for the PF keys and explains how to modify their functions.

## Related accessibility information

Online documentation for IMS 14 is available in IBM Knowledge Center.

## IBM and accessibility

See the *IBM Human Ability and Accessibility Center* at [www.ibm.com/able](http://www.ibm.com/able) for more information about the commitment that IBM has to accessibility.

---

## How to send your comments

Your feedback is important in helping us provide the most accurate and highest quality information. If you have any comments about this or any other IMS information, you can take one of the following actions:

- Click the **Contact Us** tab at the bottom of any IBM Knowledge Center topic.
- Send an email to [imspubs@us.ibm.com](mailto:imspubs@us.ibm.com). Be sure to include the book title and the publication number.

To help us respond quickly and accurately, please include as much information as you can about the content you are commenting on, where we can find it, and what your suggestions for improvement might be.

---


## Part 1. Base Primitive Environment commands

By using Base Primitive Environment (BPE) commands, you can display and update resources that BPE manages.

Base Primitive Environment command information includes:

- Chapter 1, “Introduction to the BPE commands,” on page 3
- Chapter 2, “BPE DISPLAY VERSION command,” on page 7
- Chapter 3, “BPE TRACETABLE commands,” on page 9
- Chapter 4, “BPE USEREXIT commands,” on page 23

**Related reference:**

 BPE configuration parameter member of the IMS PROCLIB data set (System Definition)



---

## Chapter 1. Introduction to the BPE commands

BPE commands enable you to display and update resources that BPE manages. Some resource types are defined and owned by BPE itself. These resource types are known as *system resource types*.

Commands that specify system resource types can be issued to any IMS component running in a BPE environment. For example, BPE defines several BPE system trace table types such as DISP, STG, and CBS. These trace tables exist in every BPE address space. Commands to display and update these trace table types can be issued to any BPE address space.

Other resource types are defined and owned by the IMS component that is using BPE services. These resource types are known as *component resource types* or *user-product resource types*. Commands that specify component resource types can be issued only to the IMS component that defines those types. For example, CQS defines several CQS-specific trace tables such as STR, CQS, and INTF. Commands to display and update these trace table types can be issued only to CQS address spaces.

Subsections:

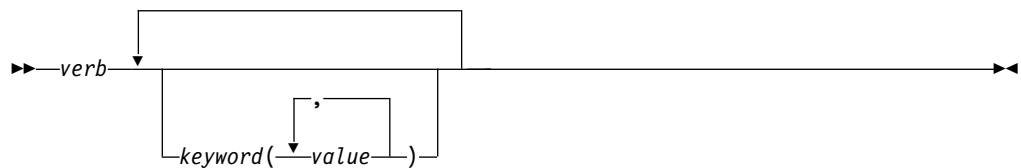
- “BPE command syntax and invocation”
- “BPE command invocation” on page 4
- “BPE wildcard character support” on page 4
- “Specifying IMS component command parameters” on page 5

### BPE command syntax and invocation

BPE supports two command formats: a verb-only format, and a verb-resource type format.

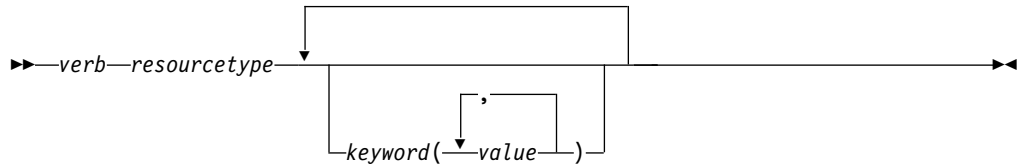
The verb-only format consists of a verb, followed by zero or more keyword-value pairs, with the values enclosed in parentheses.

#### BPE verb-only command syntax



The verb-resource type format consists of a verb, a resource type, and zero or more keyword value pairs.

#### BPE verb-resource type command syntax



*verb*

A command verb representing an action. Some verb examples are DISPLAY, UPDATE, and REFRESH.

*resourcetype*

The type of resource that is operated on by the verb. Some resource examples are TRACETABLE and USEREXIT.

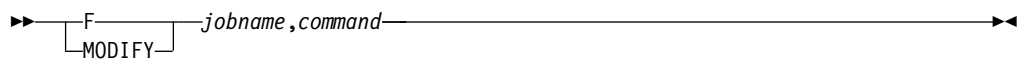
*keyword(value)*

A set of zero or more keywords and values that represent attributes, filters, or other modifiers that apply to the command. For example, NAME() to identify the specific resources or LEVEL() to specify a trace level.

### BPE command invocation

Invoke BPE commands only through the z/OS MODIFY command. The following diagram illustrates the general syntax for entering commands through the z/OS modify interface.

#### BPE command invocation



**F | MODIFY**

The z/OS command MODIFY.

*jobname*

The jobname of the address space to which the command is directed.

*command*

The command being issued.

### BPE wildcard character support

Some parameters on BPE commands support wildcard characters for pattern matching. For such parameters, you can use the following wildcard characters:

- \* Matches any string with zero or more characters
- % Matches exactly one character

The following examples illustrate some uses of wildcard characters.

**BE\*** Matches any string beginning with "BE", of any length. For instance: BE, BEE, BEEBLEBROX.

**%%S** Matches any three-character string ending with an "S". For instance: IMS, CQS.

**R\*S\*T%R**

Matches any string beginning and ending with "R", having an "S", followed by a "T" in the middle, with any number of intervening characters between



the first "R", the "S", and the "T", and exactly one character between the "T" and the final "R". For example, ROASTER, ROSTER, RESORTER, RESCEPTOR, RSTZR.

## Specifying IMS component command parameters

BPE commands provide the ability to restrict the resource types upon which a command operates to either those owned by BPE, or to those owned by the IMS component of the address space to which the command is issued. This is done through the OWNER keyword on commands that support OWNER. Use OWNER(BPE) to restrict the command operation to resource types that BPE owns and defines (system resource types). Use OWNER(*component\_type*) to restrict the command operation to resource types that the IMS component address defines and owns (component resource types). The following table lists the valid values for the OWNER parameter, and the address space types to which they apply:

*Table 1. Valid values for the OWNER parameter*

<b>OWNER</b>	<b>Address space type</b>
BPE	Any IMS component running in a BPE address space
CQS	Common Queue Server
HWS	IMS Connect
ODBM	Open Database Manager
OM	Operations Manager
REPO	Repository Server
RM	Resource Manager
SCI	Structured Call Interface



---

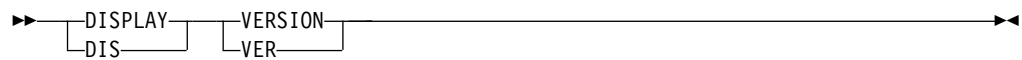
## Chapter 2. BPE DISPLAY VERSION command

Use the BPE DISPLAY VERSION command to display both the version of the IMS component that is using BPE, and the version of the BPE in use.

Subsections:

- “Syntax”
- “Keywords”
- “Output”
- “Command example 1” on page 8
- “Command example 2” on page 8

### Syntax



### Keywords

#### DISPLAY | DIS

A required parameter, which specifies that the action against the specified resource is to display attributes of the resource.

#### VERSION | VER

A required parameter, which specifies that the resource types being acted upon are the version number of the IMS component and the BPE in the current address space.

### Output

The DISPLAY VERSION command output consists of a single display output line in the following format:

```
BPE00001 comp VERSION=cv.cr.cp BPE VERSION=bv.br.bp
```

- *comp* is the IMS component ID for the address space. It is 1–4 characters long and can have one of the following values:
  - CQS (Common Queue Server)
  - DBRC (Database Recovery Control)
  - HWS (IMS Connect)
  - ODBM (Open Database Manager)
  - OM (Operations Manager)
  - REPO (Repository Server)
  - RM (Resource Manager)
  - SCI (Structured Call Interface)
- *cv.cr.cp* is the full version number of the IMS component, where *cv* is the version, *cr* is the release, and *cp* is the point release. Similarly, *bv.br.bp* indicates the full version number of the BPE running in the address space.

## Command example 1

Here are some examples of using the DISPLAY VERSION command.

Display the version of a CQS address space.

**Command:**

```
F CQS1,DISPLAY VERSION
```

**Output:**

```
BPE0000I CQS VERSION = 1.6.0 BPE VERSION = 1.7.0
```

## Command example 2

Display the version of an RM address space.

**Command:**

```
F RM1,DISPLAY VERSION
```

**Output:**

```
BPE0000I RM VERSION = 1.4.0 BPE VERSION = 1.7.0
```

---

## Chapter 3. BPE TRACETABLE commands

The TRACETABLE resource type refers to the internal BPE-managed trace tables defined either by BPE (for example: DISP, CBS, STG, LATC), or by the IMS component using BPE (for example: CQS, ODBM, OM, RM, RS, SCI).

- “BPE DISPLAY TRACETABLE command”
- “BPE UPDATE TRACETABLE command” on page 15

---

### BPE DISPLAY TRACETABLE command

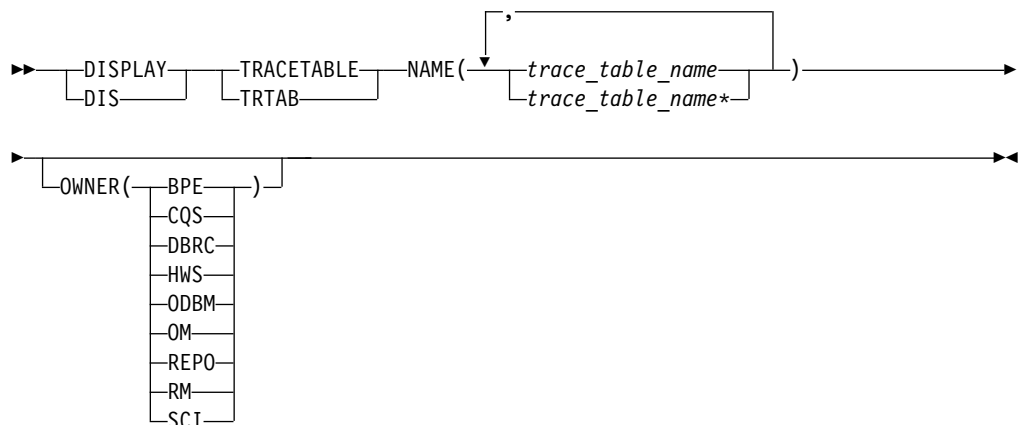
Use the DISPLAY TRACETABLE command to display trace level and number of trace table pages of specified trace tables.

Subsections:

- “Syntax”
- “Keywords”
- “Output” on page 12
- “Command example 1” on page 13
- “Command example 2” on page 13
- “Command example 3” on page 14
- “Command example 4” on page 14
- “Command example 5” on page 15
- “Command example 6” on page 15

#### Syntax

Use this command to display the current attribute settings for the requested trace tables.



#### Keywords

**DISPLAY | DIS**

A required parameter, which displays the attributes of the specified resource.

## TRACETABLE | TRTAB

A required parameter, which specifies that the resource type being acted upon is a BPE-managed trace table.

### NAME(*trace\_table\_name*)

A required parameter, which specifies the name of the trace table types about which you want attributes displayed. You can specify a single trace table name or a list of trace table names separated by commas. Trace table names can contain wildcard characters. Trace table names can be BPE-defined trace tables or IMS component-defined trace tables.

You can display BPE-defined trace tables for any IMS component address space that is using BPE. These BPE-defined trace table types are available:

<b>AWE</b>	Asynchronous work element (AWE) trace table
<b>CBS</b>	Control block services trace table
<b>CMD</b>	Command trace table
<b>DISP</b>	Dispatcher trace table
<b>ERR</b>	BPE Error trace table
<b>ERRV</b>	BPE error variable trace table
<b>HASH</b>	Hash trace table
<b>LATC</b>	Latch trace table
<b>MISC</b>	Miscellaneous trace table that is used only by IMS Service for trap traces
<b>SSRV</b>	System services trace table
<b>STG</b>	Storage service trace table
<b>USRX</b>	User exit routine trace table

You can display CQS-defined trace tables only for CQS address spaces. These CQS-defined trace table types are available:

<b>CQS</b>	CQS trace table
<b>ERR</b>	CQS error trace table
<b>INTF</b>	CQS interface trace table
<b>OFLW</b>	CQS structure overflow trace table
<b>SEVT</b>	CQS structure event trace table
<b>STR</b>	CQS client activity trace table

You can display IMS Connect-defined trace tables only for IMS Connect address spaces. These IMS Connect-defined trace table types are available:

<b>ADPT</b>	Adapter trace table
<b>CMDT</b>	IMS Connect command activity trace table
<b>ENVT</b>	Environment trace table
<b>ERRV</b>	IMS Connect error variable trace table
<b>HWSI</b>	IMS Connect to OTMA driver trace table
<b>HWSN</b>	IMS Connect to local option driver trace table
<b>HWSO</b>	IMSplex driver (IPDC) trace table
<b>HWSW</b>	IMS Connect to TCP/IP driver trace table
<b>LEPS</b>	Language Environment® (LE) preinitialization services trace table
<b>ODBM</b>	ODBM communication trace table
<b>ODDR</b>	ODBM driver trace table
<b>OMDR</b>	Communication protocol activity (SCI calls) trace table

**OSDR** ODBM socket driver trace table  
**OSOC** ODBM socket communication trace table  
**OTMA**  
     OTMA communication driver trace table  
**PCDR** Local option driver trace table  
**PCIF** PC interface trace table  
**RCTR** Recorder trace table  
**RRSI** RRS interface trace table  
**TCPI** TCP/IP communication driver trace table

You can display OM-defined trace tables only for OM address spaces. These OM-defined trace table types are available:

**CSL** CSL trace table  
**ERR** OM error trace table  
**OM** OM processes trace table  
**PLEX** IMSplex trace table for OM processing for a specific IMSplex

You can display RM-defined trace tables only for RM address spaces. These RM-defined trace table types are available:

**CSL** CSL trace table  
**ERR** RM error trace table  
**PLEX** IMSplex trace table for RM processing for a specific IMSplex  
**REPO** RM repository services trace table  
**RM** RM processes trace table

You can display SCI-defined trace tables only for SCI address spaces. These SCI-defined trace table types are available:

**CSL** Common Service Layer (CSL) trace table  
**ERPL** SCI Error Parameter List trace table  
**ERR** SCI error trace table  
**INTF** SCI interface trace table  
**INTP** SCI interface parameter trace table  
**PLEX** IMSplex trace table for SCI processing for a specific IMSplex  
**SCI** Structured Call Interface (SCI) processes trace table

You can display DBRC-defined trace tables only for DBRC address spaces. These DBRC-defined trace table types are available:

**ERR** DBRC error trace table  
**GRPS** DBRC group services trace table  
**MODF**  
     DBRC module flow trace table  
**RQST** DBRC request trace table

You can display ODBM-defined trace tables only for ODBM address spaces. These ODBM-defined trace table types are available:

**CSL** CSL trace table  
**ERR** ERR trace table  
**ODBM**  
     ODBM trace table  
**PLEX** IMSplex trace table

You can display Repository Server-defined trace tables only for REPO address spaces. These Repository Server (RS) trace table types are available:

**DIAG**  
     Repository Server diagnostics trace table

## OWNER

An optional parameter that specifies the owner of the trace table type or types about which you want attributes displayed. You can specify one of the following values:

**BPE** For all IMS components that are running in a BPE address space

**CQS** For CQS address spaces only

**DBRC** For DBRC address spaces only

**HWS** For IMS Connect address spaces only

**ODBM**

For ODBM address spaces only

**OM** For OM address spaces only

**REPO** For RS address spaces only

**RM** For RM address spaces only

**SCI** For SCI address spaces only

The OWNER parameter acts as a filter to help you select which trace tables you want to display. For example, you could specify NAME(\*) OWNER(CQS) to display all of the CQS-defined trace table types (CQS, ERR, OFLW, SEVT, STR, and INTF) in a CQS address space. You could specify NAME(\*) OWNER(BPE) to display all of the BPE-defined trace table types in any BPE-managed address space. If OWNER is omitted, then both BPE and component trace tables might be displayed (depending on the tables specified on NAME).

## Output

The DISPLAY TRACETABLE command output consists of a header line, one line per selected trace table, and one message BPE0032I line indicating that the command has completed. Here is an example.

```
F CQS1,DIS TRTAB NAME(*) OWNER(CQS)
BPE0030I TABLE OWNER LEVEL #PAGES EXT #ENTRIES #CYCLES CQS1CQS
BPE0000I CQS CQS HIGH 4 NO 14 0 CQS1CQS
BPE0000I ERR CQS HIGH 4 NO 13 0 CQS1CQS
BPE0000I INTF CQS HIGH 8 NO 5 0 CQS1CQS
BPE0000I OFLW CQS HIGH 12 NO 4 0 CQS1CQS
BPE0000I SEVT CQS HIGH 12 NO 3 0 CQS1CQS
BPE0000I STR CQS HIGH 8 NO 87 0 CQS1CQS
BPE0032I DIS TRTAB COMMAND COMPLETED CQS1CQS
```

These columns are in the DISPLAY TRACETABLE output:

### TABLE

Specifies the name of the trace table type about which information is being displayed on the current row. Either BPE or the product using BPE owns this trace table.

### OWNER

Specifies the IMS component that owns the trace table. BPE-owned trace tables are system trace tables, and exist in all IMS component address spaces that use BPE. Trace tables that are specific to an IMS component show the 1- to 4-character component identifier in this column.

### LEVEL

Specifies the current level setting of the trace table. The level of a trace table determines the volume of trace data collected. These levels are possible:

#### NONE

No trace data is being written to the table.



**ERROR**

Only traces for error or exception conditions are being written into the table.

**LOW** Only major event trace entries are written into the table.

**MEDIUM**

Major event trace entries and some minor event trace entries are written into the table.

**HIGH** All trace entries are written into the table.

**INACTV**

The trace table is inactive and cannot be used. This status occurs only when BPE was unable to get any storage for the trace table. No tracing is done for the indicated table type, and you cannot change the level for the trace table with the UPDATE TRACETABLE command. You must restart the address space in order to use the trace table again.

**#PAGES**

Specifies the number of 4K (4096 byte) pages allocated for the trace table type.

**EXT** Specifies whether trace entries for the trace tables specified by the NAME keyword should be written to the external trace data set. Values are YES or NO.

**YES** Specifies that trace entries are written both to the external trace data set and to memory.

**NO** Specifies that trace entries are written only to memory.

**#ENTRIES**

Specifies the number of trace entries that have been created in the trace table.

**#CYCLES**

Specifies the number of times the trace table has been filled and wrapped back to the top.

**Command example 1**

Here are some examples of using the DISPLAY TRACETABLE command.

The following command displays the status of the BPE dispatcher trace table (DISP).

Command:

```
F CQS1,DISPLAY TRACETABLE NAME(DISP)
```

Output:

```
BPE0030I TABLE OWNER LEVEL #PAGES EXT #ENTRIES #CYCLES
BPE0000I DISP BPE HIGH 8 NO 1916 1
BPE0032I DISPLAY TRACETABLE COMMAND COMPLETED
```

**Command example 2**

The following command displays the status of all CQS traces.

Command:

```
F CQS1,DIS TRTAB NAME(*) OWNER(CQS)
```

Output:

```
F CQS1,DIS TRTAB NAME(*) OWNER(CQS)
BPE0030I TABLE OWNER LEVEL #PAGES EXT #ENTRIES #CYCLES CQS1CQS
BPE0000I CQS CQS HIGH 4 NO 14 0 CQS1CQS
BPE0000I ERR CQS HIGH 4 NO 13 0 CQS1CQS
BPE0000I INTF CQS HIGH 8 NO 5 0 CQS1CQS
BPE0000I OFLW CQS HIGH 12 NO 4 0 CQS1CQS
BPE0000I SEVT CQS HIGH 12 NO 3 0 CQS1CQS
BPE0000I STR CQS HIGH 8 NO 87 0 CQS1CQS
BPE0032I DIS TRTAB COMMAND COMPLETED CQS1CQS
```

### Command example 3

The following command displays the status of all traces in an SCI address space.

Command:

```
F SCI,DIS TRTAB NAME(*)
```

Output:

```
BPE0030I TABLE OWNER LEVEL #PAGES EXT #ENTRIES #CYCLES
BPE0000I AWE BPE HIGH 6 YES 2843 3
BPE0000I CBS BPE HIGH 6 YES 3456 4
BPE0000I CMD BPE HIGH 2 YES 1 0
BPE0000I CSL SCI HIGH 8 YES 0 0
BPE0000I DISP BPE HIGH 8 YES 5581 5
BPE0000I ERPL SCI HIGH 8 YES 1 0
BPE0000I ERR BPE HIGH 2 YES 1 0
BPE0000I ERR SCI HIGH 4 YES 1 0
BPE0000I ERRV BPE HIGH 8 YES 0 0
BPE0000I HASH BPE HIGH 8 YES 3432 3
BPE0000I INTF SCI HIGH 8 YES 874 0
BPE0000I INTP SCI HIGH 16 YES 873 3
BPE0000I LATC BPE HIGH 8 NO 3264 3
BPE0000I MISC BPE HIGH 1 NO 0 0
BPE0000I PLEX SCI HIGH 8 NO 1724 1
BPE0000I SCI SCI HIGH 8 NO 1 0
BPE0000I SSRV BPE HIGH 4 YES 28 0
BPE0000I STG BPE HIGH 8 NO 324 0
BPE0000I USRX BPE HIGH 4 NO 2 0
BPE0032I DIS TRTAB COMMAND COMPLETED
```

### Command example 4

The following command displays the status of all OM traces.

Command:

```
F OM,DIS TRTAB NAME(*) OWNER(OM)
```

Output:

```
BPE0030I TABLE OWNER LEVEL #PAGES EXT #ENTRIES #CYCLES
BPE0000I CSL OM HIGH 4 YES 0 0
BPE0000I ERR OM HIGH 4 YES 0 0
BPE0000I OM OM HIGH 4 NO 1 0
BPE0000I PLEX OM HIGH 8 NO 20 0
BPE0032I DIS TRTAB COMMAND COMPLETED
```

## Command example 5

The following command displays the status of the PLEX trace and all traces beginning with "C" in the RM address space.

### Command:

```
F RM,DIS TRTAB NAME(PLEX,C*)
```

### Output:

```
BPE0030I TABLE OWNER LEVEL #PAGES EXT #ENTRIES #CYCLES
BPE0000I CBS BPE HIGH 6 NO 466 0
BPE0000I CMD BPE HIGH 2 NO 1 0
BPE0000I CSL RM HIGH 4 NO 0 0
BPE0000I PLEX RM HIGH 8 NO 750 0
BPE0032I DIS TRTAB COMMAND COMPLETED
```

## Command example 6

The following command displays the status of all ODBM traces.

The following command displays the status of all Repository Server traces.

### Command:

```
F ODBM1,DIS TRTAB NAME(*) OWNER(ODBM)
F REPO1,DIS TRTAB NAME(*) OWNER(REPO)
```


### Output:

```
BPE0030I TABLE OWNER LEVEL #PAGES EXT #ENTRIES #CYCLES
BPE0000I CSL ODBM ERROR 4 NO 0 0
BPE0000I ERR ODBM HIGH 4 NO 0 0
BPE0000I ODBM ODBM ERROR 4 NO 0 0
BPE0000I PLEX ODBM ERROR 8 NO 0 0
BPE0032I DIS TRTAB COMMAND COMPLETED

BPE0030I TABLE OWNER LEVEL #PAGES EXT #ENTRIES #CYCLES
BPE0000I DIAG REPO HIGH 300 NO 489 0
BPE0032I DIS TRTAB COMMAND COMPLETED
```

### Related reference:

Chapter 1, "Introduction to the BPE commands," on page 3

 Base Primitive Environment customization exit routines (Exit Routines)

---

## BPE UPDATE TRACETABLE command

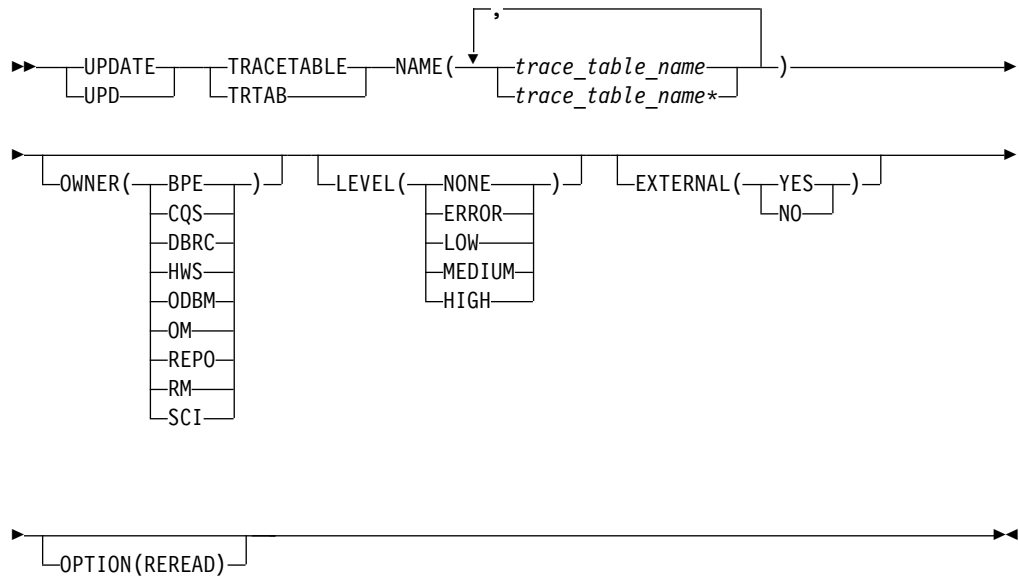
Use the UPDATE TRACETABLE command to update trace level attributes of the specified trace tables.

### Subsections:

- "Syntax" on page 16
- "Keywords" on page 16
- "Output" on page 20
- "Examples" on page 20

## Syntax

Use this command to change the trace level setting for the requested trace tables.



## Keywords

### UPDATE | UPD

A required parameter, which specifies that the action against the trace table is to update its attributes.

### TRACETABLE | TRTAB

A required parameter, which specifies that the resource type being acted upon is a BPE-managed trace table.

### NAME(*trace\_table\_name*)

A required parameter that specifies the name of the trace table type or types that you want to update. You can specify a single trace table name or a list of trace table names separated by commas. Trace table names can contain wildcard characters. Trace table names can be BPE-defined trace tables or IMS component-defined trace tables.

**Note:** Trace table types that require explicit commands, for example the HWS RCTR table, is not processed if a generic name, `NAME(*)`, or wildcard pattern, `NAME(R%*%)`, is specified for the trace table name. Trace table types that require explicit commands are processed only when they have been explicitly specified with the `NAME` parameter: `NAME(RCTR)`.

You can update BPE-defined trace tables for any IMS component address space that is using BPE. These BPE-defined trace table types are available:

- AWE** Asynchronous work element (AWE) trace table
- CBS** Control block services trace table
- CMD** Command trace table
- DISP** Dispatcher trace table
- ERR** BPE Error trace table
- ERRV** BPE error variable trace table

**HASH**

Hash trace table

**LATC** Latch trace table**MISC** Miscellaneous trace table that is used only by IMS Service for trap traces**SSRV** System services trace table**STG** Storage service trace table**USRX** User exit routine trace table

You can update CQS-defined trace tables only for CQS address spaces. These CQS-defined trace table types are available:

**CQS** CQS trace table**ERR** CQS error trace table**INTF** CQS interface trace table**OFLW** CQS structure overflow trace table**SEVT** CQS structure event trace table**STR** CQS client activity trace table

**Note:** A CQS client activity trace table contains trace records from only one CQS structure.

You can update IMS Connect-defined trace tables only for IMS Connect address spaces. These IMS Connect-defined trace table types are available:

**ADPT** Adapter trace table**CMDT**

IMS Connect command activity trace table

**CPDR** CICSPORT driver trace table**CPRT** CICSPORT communication trace table**ENVT** Environment trace table**ERRV** IMS Connect error variable trace table**GSVC** General service trace table**HWSI** IMS Connect to OTMA driver trace table**HWSN**

IMS Connect to local option driver trace table

**HWSO**

IMSpIex driver (IPDC) trace table

**HWSW**

IMS Connect to TCP/IP driver trace table

**ICDR** IMS Connect to IMS Connect driver trace table**ICNC** IMS Connect to IMS Connect communication trace table**ISCC** ISC communication trace table**ISDR** ISC driver trace table**LEPS** Language Environment (LE) preinitialization services trace table**MSCC**

MSC communication trace table

**MSDR**

MSC driver trace table

**ODBM**

ODBM communication trace table

**ODDR**

ODBM driver trace table

**OMDR**

Communication protocol activity (SCI calls) trace table

**OSDR** ODBM socket driver trace table**OSOC** ODBM socket communication trace table**OTMA**

OTMA communication driver trace table

**PCDR** Local option driver trace table  
**PCIF** PC interface trace table  
**RCDR** RMTICICS driver trace table  
**RCIC** RMTICICS communication trace table  
**RCTR** Recorder trace table

**Note:** The Recorder trace table requires explicit commands.

**RRSI** RRS interface trace table  
**TCPI** TCP/IP communication driver trace table

You can update OM-defined trace tables only for OM address spaces. These OM-defined trace table types are available:

**CSL** CSL trace table  
**ERR** OM error trace table  
**OM** OM processes trace table  
**PLEX** IMSplex trace table for OM processing for a specific IMSplex

You can update RM-defined trace tables only for RM address spaces. These RM-defined trace table types are available:

**CSL** CSL trace table  
**ERR** RM error trace table  
**PLEX** IMSplex trace table for RM processing for a specific IMSplex  
**REPO** RM repository services trace table  
**RM** RM processes trace table

You can update SCI-defined trace tables only for SCI address spaces. These SCI-defined trace table types are available:

**CSL** CSL trace table  
**ERPL** SCI error parameter list trace table  
**ERR** SCI error trace table  
**INTF** SCI interface trace table  
**INTP** SCI interface parameter trace table  
**PLEX** IMSplex trace table for SCI processing for a specific IMSplex  
**SCI** SCI processes trace table

You can update DBRC-defined trace tables only for DBRC address spaces. These DBRC-defined trace table types are available:

**ERR** DBRC error trace table  
**GRPS** DBRC group services trace table  
**MODF** DBRC module flow trace table  
**RQST** DBRC request trace table

You can update ODBM-defined trace tables only for ODBM address spaces. These ODBM-defined trace table types are available:

**CSL** CSL trace table  
**ERR** Error trace table

**ODBM**

ODBM trace table

**PLEX** IMSplex trace table

You can update Repository Server-defined trace tables only for REPO address spaces. These Repository Server (RS) trace table types are available:

**DIAG** Repository Server diagnostics trace table

**OWNER**

An optional parameter that specifies the owner of the trace table type or types that you want to update. You can specify one of the following values:

**BPE** For all IMS components that are running in a BPE address space

**CQS** For CQS address spaces only

**DBRC** For DBRC address spaces only

**HWS** For HWS address spaces only

**ODBM**

For ODBM address spaces only

**OM** For OM address spaces only

**REPO** For RS address spaces only

**RM** For RM address spaces only

**SCI** For SCI address spaces only

The OWNER parameter acts as a filter to help you select which trace tables you want to update. For example, you can specify NAME(\*) OWNER(CQS) to update all of the CQS-defined trace table types (CQS, ERR, STR, OFLW, SEVT, and INTF) in a CQS address space. You can specify NAME(\*) OWNER(BPE) to update all of the BPE-defined trace table types in any BPE-managed address space. If OWNER is omitted, then both BPE and component trace tables might be updated (depending on the tables that are specified on NAME).

**LEVEL(*level*)**

An optional parameter that sets the new tracing level for the specified trace tables. If LEVEL is omitted, the level of the specified trace tables is not changed. These levels are possible:

**NONE**

No trace data is being written to the table.

**ERROR**

Only traces for error or exception conditions are being written into the table.

**LOW** Only major event trace entries are written into the table.

**MEDIUM**

Major event trace entries and some minor event trace entries are written into the table.

**HIGH** All trace entries are written into the table.

**Important:** You cannot change the level for the trace table type ERR. BPE forces the level to HIGH to ensure that error diagnostics are captured. Any level that you specify for the ERR trace table is ignored.

## EXTERNAL

Specifies whether trace entries for the trace tables that are specified by the NAME keyword should be written to the external trace data set. Values are YES or NO.

**YES** Specifies that trace entries are written both to the external trace data set and to memory. Trace entries are written to the external data set only if you define that data set to IMS by including the EXTTRACE statement in the BPE configuration parameter member (BPECFG=) of the IMS PROCLIB data set.

**NO** Specifies that trace entries are written only to memory.

If you do not include the EXTERNAL keyword when you issue the command, IMS does not change the current external trace setting (if any) for the affected tables.

You must create or define the data set specified on the EXTTRACE statement. If you do not create or define the data set, an error is generated when you try to open the data set.

## OPTION(REREAD)

Specifies that the BPE configuration PROCLIB member that was specified on the BPECFG= parm of the job is reread to obtain updated EXTTRACE settings. Only the BPE configuration PROCLIB member is reread.

The EXTTRACE parameter values in the PROCLIB member at the time it is reread replace the values that were read during initialization. If there is a current external trace data set open, it is closed and deallocated. A new external trace data set is then allocated and opened using the updated EXTTRACE parameters. Other parameters within BPE PROCLIB member are not reprocessed when the member is reread.

With OPTION(REREAD) you can either specify a new external trace data set or modify the characteristics of an existing trace data set without bringing down the address space.

OPTION(REREAD) requires that the address space was started with BPECFG= that specifies a BPE configuration PROCLIB member. If no member was specified, there is no member to reread, and the command will be rejected. If the BPE configuration PROCLIB member is reread and no EXTTRACE statement is found that applies to the current address space, the command is rejected and the existing external trace settings, if any, are kept. If the member is reread and errors occur during allocation or open of the new external trace data set (for example, if the specified data set name does not exist), BPE external trace is stopped. Edit the BPE PROCLIB member and correct the EXTTRACE statement. You can then re-enable BPE external trace by reentering the UPDATE TRACETABLE command with OPTION(REREAD).

## Output

The UPDATE TRACETABLE command output consists of message BPE0032I indicating that the command has completed:

```
BPE0032I UPDATE TRACETABLE COMMAND COMPLETED
```

## Examples

### *Command example 1*

Update the level of the BPE dispatcher trace table (DISP) to HIGH.



**Command:**

```
F CQS1,UPDATE TRACETABLE NAME(DISP) LEVEL(HIGH)
```

**Output:**

```
BPE0032I UPDATE TRACETABLE COMMAND COMPLETED
```

**Command example 2**

Update the level of all SCI trace tables to MEDIUM.

**Important:**

- You cannot change the level for the trace table type ERR, even when using a wildcard character to select all tables with a given owner, as shown in this example--NAME(\*). BPE forces the level to HIGH to ensure that error diagnostics are captured. The level for trace table type ERR is set to HIGH, but other trace table types are set to MEDIUM.
- You cannot change the level for a trace table type that requires explicit commands when using a wildcard character to select all tables with a given owner, as shown in this example--NAME(\*). Trace table types that require explicit commands are processed only when they have been explicitly specified with the NAME parameter.

**Command:**

```
F SCI,UPD TRTAB NAME(*) OWNER(SCI) LEVEL(MEDIUM)
```

**Output:**

```
BPE0032I UPDATE TRACETABLE COMMAND COMPLETED
```

**Command example 3**

Set the level of the IMS Connect Recorder Trace to HIGH to capture message data that IMS Connect sends to and receives from TCP/IP endpoints and OTMA.


**Command:**

```
F HWS1,UPDATE TRACETABLE NAME(RCTR) OWNER(HWS) LEVEL(HIGH) EXTERNAL(YES)
```


**Output:**

```
BPE0032I UPDATE TRACETABLE COMMAND COMPLETED  
BPE0046I EXTERNAL TRACE DATA SET  
IMSTESTL.RCTR.GDG01.G0003V00 OPENED ON VOL=000000
```

**Related concepts:**

 [Configuring the IMS Base Primitive Environment for IMS Connect \(System Definition\)](#)

**Related reference:**

 [BPE configuration parameter member of the IMS PROCLIB data set \(System Definition\)](#)

Chapter 1, “Introduction to the BPE commands,” on page 3

 [Base Primitive Environment customization exit routines \(Exit Routines\)](#)



---

## Chapter 4. BPE USEREXIT commands

The USEREXIT resource type refers to the user exit types defined to and managed by either BPE or the IMS component using BPE (for example, CQS).

**Note:** Throughout this topic, the term *user exit routine* means *user-supplied exit routine*.

- “BPE DISPLAY USEREXIT command”
- “BPE REFRESH USEREXIT command” on page 30

---

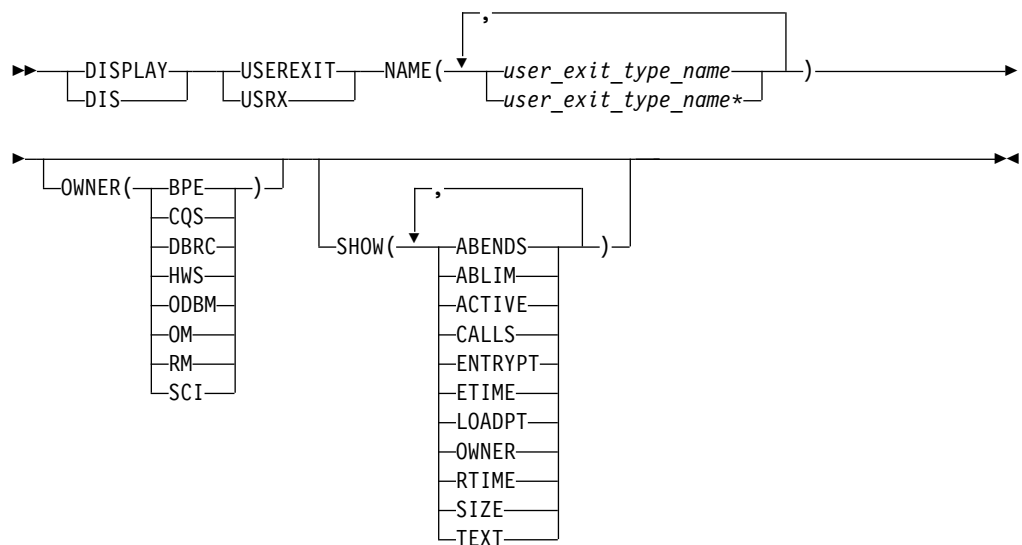
### BPE DISPLAY USEREXIT command

Use the BPE DISPLAY USEREXIT command to display attributes of specified user exit types.

Subsections:

- “Syntax”
- “Keywords” on page 24
- “Output” on page 28
- “Command example 1” on page 28
- “Command example 2” on page 29
- “Command example 3” on page 29
- “Command example 4” on page 29
- “Command example 5” on page 30

#### Syntax



## Keywords

### DISPLAY | DIS

A required parameter, which specifies that the action against the specified resource is to display attributes of the resource.

### USEREXIT | USRX

A required parameter, which specifies that the resource type being acted upon is a BPE-managed user exit type.

### NAME(*user\_exit\_type\_name*)

A required parameter, which specifies the name of the user exit type or types about which you want attributes displayed. You can specify a single user exit type name or a list of user exit type names separated by commas. User exit type names can contain wildcard characters.

**Important:** The name or names specified in this parameter are the names of user exit types, *not* the names of individual user exit modules.

BPE and each address space that can use BPE have different user exit types. As specified by OWNER(BPE), BPE's user exit types include:

#### INITTERM

Initialization-Termination user exit

#### STATS

BPE system functions statistics user exit

As specified by OWNER(CQS), the following user exit types are defined in all CQS address spaces:

#### CLNTCONN

Client Connection user exit

#### INITTERM

Initialization-Termination user exit

#### OVERFLOW

Queue Overflow user exit

#### STRSTAT

Structure statistics user exit

#### STREVENT

Structure event user exit

As specified by OWNER(DBRC), the following user exit types are defined in all DBRC BPE address spaces:

#### RECONIO

BPE RECON I/O user exit

#### REQUEST

BPE DBRC request user exit

#### SECURITY

BPE DBRC security user exit

As specified by OWNER(HWS), the following user exit types are defined in all IMS Connect address spaces:

#### POR*nnnnn*

IMS Connect Port Message Edit exit. *nnnnn* in the exit type name is the port number in decimal—for example, POR01234. The Port Message Edit exit is a BPE type-2 exit.

**XMLADAP**

IMS Connect XML adapter user exit

**ODBMAUTH**

IMS Connect DB security user exit, which enables users to access IMS database resources via ODBA from outside of an IMS dependent region.

**ODBMROUT**

IMS Connect Routing exit for ODBM, which enables users to override the IMS alias or to select an ODBM.

As specified by OWNER(ODBM), the following user exit types are defined in all ODBM address spaces:

**CLNTCONN**

ODBM user exit that is called during client registration and deregistration.

**INITTERM**

ODBM user exit that is called during initialization and termination of the ODBM address space.

**INPUT**

ODBM user exit that is called to view a CSLDMI FUNC=ODBMCI request to ODBM. This type of user exit can modify the input prior to execution or reject the request before it is processed.

**OUTPUT**

ODBM user exit that is called to view output (for example, ODBA call output) going out from ODBM to the ODBM client in response to a CSLDMI FUNC=ODBMCI request. This type of user exit can also modify the output before it is returned to the originator.

As specified by OWNER(OM), the following user exit types are defined in all OM address spaces:

**CLNTCONN**

Client Connection command registration and deregistration user exit

**INITTERM**

Initialization-Termination user exit

**INPUT**

Command input user exit

**OUTPUT**

Output user exit

**SECURITY**

Security checking user exit

As specified by OWNER(RM), the following user exit types are defined in all RM address spaces:

**CLNTCONN**

Client Connection and Disconnection user exit

**INITTERM**

Initialization-Termination user exit

As specified by OWNER(SCI), the following user exit types are defined in all SCI address spaces:

## CLNTCONN

Client Connection and Disconnection user exit

## INITTERM

Initialization-Termination user exit

## OWNER(BPE | CQS | DBRC | HWS | ODBM | OM | RM | SCI)

An optional parameter that specifies the owner of the user exit type or types about which you want attributes displayed. You can specify one of the following values:

### BPE

For all IMS components that are running in a BPE address space

### CQS

For CQS address spaces only

### DBRC

For DBRC address spaces only

### HWS

For IMS Connect address spaces only

### ODBM

For ODBM address spaces only

**OM** For OM address spaces only

**RM** For RM address spaces only

### SCI

For SCI address spaces only

The OWNER parameter acts as a filter to help you select the user exit types that you want to display. For example, you could specify NAME(\*) OWNER(CQS) to display all of the CQS-defined user exit types in a CQS address space. If OWNER is omitted, then both BPE and component user exits can be displayed (depending on the exits specified on NAME).

## SHOW(*attribute*)

An optional parameter that specifies the attributes you want to display about the requested user exits.

When you display information about user exits, each row of display output contains the requested attributes for one user exit module, in columns. Every display for user exits contains the columns labeled EXITTYPE (the type of the exit), and MODULE (the load module name of the exit). Additionally, any of the following attributes can be requested by using the SHOW parameter:

### ABENDS

The number of abends that have occurred in the user exit module since the last user exit refresh of that module (or since address space initialization if no refreshes have occurred). BPE keeps track of the number of abends that have occurred in each user exit module. When this number reaches the number defined on the ABLIM= parameter of the EXITDEF statement for the exit's type, BPE stops calling the module. If the user exit module is refreshed, this count is reset to zero, and BPE calls the module again.

The maximum value that can be displayed in this field is 2147483647 ( $2^{31}-1$ ). If the abend count exceeds this value, 2147483647 is displayed.

**ABLIM**

The abend limit count for the user exit type, as specified on the ABLIM= parameter on the EXITDEF statement for the user exit type in the BPE exit list PROCLIB member. This is the number of times the user exit module is allowed to abend before BPE stops calling the user exit. A value of 0 indicates that there is no abend limit.

The maximum value that can be displayed in this field is 2147483647 ( $2^{31}-1$ ).

**ACTIVE**

The number of currently active instances of the user exit. This is a point-in-time number that represents the number of calls to the user exit that have not yet returned.

The maximum value that can be displayed in this field is 999999. If the active count exceeds this value, 999999 is displayed.

**CALLS**

The number of calls to the user exit since the last user exit refresh.

For performance reasons, serialization is not obtained when BPE collects this number. For an exit type that can run multiple instances in parallel, this number should be considered an approximation only.

The maximum value that can be displayed in this field is 2147483647 ( $2^{31}-1$ ). If the call count exceeds this value, 2147483647 is displayed.

**ENTRYPT**

The entry point address of the user exit module.

**ETIME**

The total (cumulative) elapsed time spent in the exit module since it was last refreshed, in milliseconds.

For performance reasons, serialization is not obtained when BPE collects this number. For an exit type that can run multiple instances in parallel, this number should be considered an approximation only.

The maximum value that can be displayed in this field is 2147483647 ( $2^{31}-1$ ). If the elapsed number of milliseconds exceeds this value, 2147483647 is displayed.

**LOADPT**

The load point address of the user exit module.

**OWNER**

The IMS component that owns the user exit type. BPE-owned user exit types are system exit types that exist in all IMS component address spaces that use BPE. User exit types that are specific to the component show the 1- to 4-character component identifier in this column (for example, CQS).

**RTIME**

This is the local date and time that the user exit module was last refreshed (or initially loaded, if no refreshes have occurred). The format of this output field is:

yyyy-mm-dd hh:mm:ss.th

**SIZE** The size of the user exit load module, in bytes (displayed in hexadecimal).

**TEXT** 27 bytes starting from offset +04 from the module's entry point,

translated to EBCDIC, with non-printable characters replaced by periods ( . ). This is a common location for module identification information. If your user exits contain printable identification data at this point in the module, the TEXT option enables that information to be displayed.

If the SHOW parameter is not specified, the default attributes displayed after the EXITTYPE and MODULE are OWNER, ACTIVE, and ABENDS.

The order in which you list the attributes on the SHOW parameter has no effect on the order the attributes are displayed. BPE determines the order of the attribute columns in the display output. This order is as follows:

1. OWNER
2. ACTIVE
3. ABENDS
4. ABLIM
5. CALLS
6. ETIME
7. RTIME
8. ENTRYPT
9. LOADPT
10. SIZE
11. TEXT

**Important:** It is possible to request so many attributes that the length of the output line is too long to display with a WTO. If this happens, the command is processed, but some lines might be truncated. The maximum line length that BPE displays is 126 characters.

## Output

The DISPLAY USEREXIT command output consists of a header line, one line per user exit module about which information is being displayed, and one message BPE0032I line that indicates that the command completed.

Command:

```
F CQS1,DISPLAY USEREXIT NAME(INITTERM,STRSTAT)
```

Output:

```
BPE0030I EXITTYPE MODULE  OWNER   ACTIVE   ABENDS
BPE0000I INITTERM MYINIT00 CQS      0        0
BPE0000I INITTERM ZZZINIT0 CQS      0        0
BPE0000I STRSTAT  MYSTAT00 CQS      1        2
BPE0032I DISPLAY USEREXIT COMMAND COMPLETED
```

The EXITTYPE and MODULE columns are present for all DISPLAY USEREXIT commands, regardless of what is specified on SHOW. When multiple exit modules are listed for a single user exit type, they are listed in the order in which they are called.

## Command example 1

Here are some examples of using the DISPLAY USEREXIT command.

Display the status of the CQS structure event user exit type.



Command:

```
F CQS1,DISPLAY USEREXIT NAME(STREVENT)
```

Output:

```
BPE0030I EXITTYPE MODULE OWNER ACTIVE ABENDS
BPE0000I STREVENT STREXV00 CQS 1 0
BPE0000I STREVENT ZZZSTEVE0 CQS 0 0
BPE0032I DISPLAY USEREXIT COMMAND COMPLETED
```

In this example, there are two structure event exit modules defined that are called for CQS structure events. STREXV00 is called first, followed by ZZZSTEVE0.

## Command example 2

Display the number of calls to, the elapsed time spent in, and the abend limit for all CQS user exit types.

Command:

```
F CQS1,DIS USRX NAME(*) OWNER(CQS) SHOW(CALLS,ETIME,ABLIM)
```

Output:

```
BPE0030I EXITTYPE MODULE ABLIM CALLS ETIME
BPE0000I CLNTCONN CLCONX00 0 2 12
BPE0000I INITTERM MYCQSIT0 0 1 2
BPE0000I INITTERM OEMCQIT0 0 1 162
BPE0000I OVERFLOW OVERFL01 5 3 6
BPE0000I OVERFLOW OVERFL02 5 3 19
BPE0000I OVERFLOW OVERFL03 5 3 9
BPE0000I OVERFLOW OVERFL04 5 3 15593
BPE0000I STREVENT STREVENT0 10 542 628
BPE0000I STRSTAT STRSTAT0 1 36 1889
BPE0000I STRSTAT STRSTA10 1 36 241
BPE0032I DIS USRX COMMAND COMPLETED
```

## Command example 3

Display the entry point, load point, and size of all of the SCI CLNTCONN user exit modules.

Command:

```
F SCI,DIS USRX NAME(CLNTCONN) SHOW(SIZE,ENTRYPT,LOADPT)
```

Output:

```
BPE0030I EXITTYPE MODULE ENTRYPT LOADPT SIZE
BPE0000I CLNTCONN SCCLCN00 8B864D78 8B864D78 00000458
BPE0000I CLNTCONN SCCLCN10 8BA14200 8BA14200 00001C10
BPE0000I CLNTCONN SCCLCN20 8BA18EE8 8BA18AF0 00000AB0
BPE0032I DIS USRX COMMAND COMPLETED
```

## Command example 4

Display the first part of the module text for all of the BPE user exits in the OM address space.

Command:

```
F OM,DIS USRX NAME(*) OWNER(BPE) SHOW(TEXT)
```

Output:

```

BPE0030I EXITTYPE MODULE TEXT
BPE0000I INITTERM MYINIT00 .MYINIT00+20010615+17:47...
BPE0000I STATS HHGSTAT0 .HHGSTAT0+20010615+08:47...
BPE0032I DIS USRX COMMAND COMPLETED

```

## Command example 5

Display the refresh time for all of the RM INITTERM modules.

Command:

```
F RM,DIS USRX NAME(*) OWNER(RM) SHOW(RTIME)
```

Output:


```

BPE0030I EXITTYPE MODULE RTIME
BPE0000I INITTERM RMINITRM 2001-06-15 16:48:22.39
BPE0032I DIS USRX COMMAND COMPLETED

```

**Related reference:**

Chapter 1, “Introduction to the BPE commands,” on page 3

 Base Primitive Environment customization exit routines (Exit Routines)

---

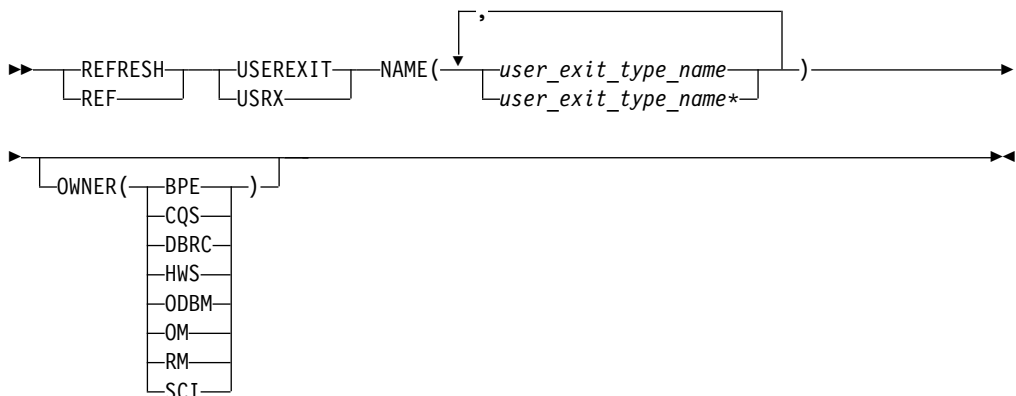
## BPE REFRESH USEREXIT command

Use the BPE REFRESH USEREXIT command to load new copies of the user exit modules for specified user exit types.

Subsections:

- “Syntax”
- “Keywords” on page 31
- “Usage notes” on page 33
- “Output” on page 35
- “Examples” on page 35

### Syntax



## Keywords

### REFRESH | REF

A required parameter, which specifies that the action against the specified resources is to refresh the resources.

### USEREXIT | USRX

A required parameter, which specifies that the resource type being acted upon is a BPE-managed user exit type.

### NAME(*user\_exit\_type\_name*)

A required parameter, which specifies the name of the user exit type or types that you want to refresh. You can specify a single user exit type name or a list of user exit type names separated by commas. User exit type names can contain wildcard characters.

Unless otherwise stated, all user exit types described here are type-1 user exits.

**Important:** The names specified in this parameter are the names of user exit types, *not* the names of individual user exit modules.

BPE and each address space that can use BPE have different user exit types. BPE's user exit types, as specified by OWNER(BPE), include the following:

#### INITTERM

Initialization-Termination user exit

#### STATS

BPE system functions statistics user exit

User exit types are defined in all CQS address spaces, as specified by OWNER(CQS), and include the following:

#### CLNTCONN

Client Connection user exit

#### INITTERM

Initialization-Termination user exit

#### OVERFLOW

Queue Overflow user exit

#### STRSTAT

Structure statistics user exit

#### STREVENT

Structure event user exit

User exit types are defined in all BPE-based DBRC address spaces, as specified by OWNER(DBRC), and include the following:

#### RECONIO

BPE RECON I/O user exit

#### REQUEST

BPE DBRC request user exit

#### SECURITY

BPE DBRC security user exit

User exit types are defined in all IMS Connect address spaces, as specified by OWNER(HWS), and include the following:

**POR***nnnnn*

IMS Connect Port Message Edit exit. *nnnnn* in the exit type name is the port number in decimal—for example, POR01234. The Port Message Edit exit is a BPE type-2 exit.

**XMLADAP**

IMS Connect XML adapter user exit

**ODBMAUTH**

IMS Connect DB security user exit, which enables users to access IMS database resources via ODBA from outside of an IMS dependent region.

**ODBMROUT**

IMS Connect Routing exit for ODBM, which enables users to override the IMS alias or to select an ODBM.

User exit types are defined in all ODBM address spaces, as specified by OWNER(ODBM), and include the following:

**CLNTCONN**

ODBM user exit that is called during client registration and deregistration.

**INITTERM**

ODBM user exit that is called during initialization and termination of the ODBM address space.

**INPUT**

ODBM user exit that is called to view a CSLDMI FUNC=ODBMCI request to ODBM. This type of user exit can modify the input prior to execution or reject the request before it is processed.

**OUTPUT**

ODBM user exit that is called to view output (for example, ODBA call output) going out from ODBM to the ODBM client in response to a CSLDMI FUNC=ODBMCI request. This type of user exit can also modify the output before it is returned to the originator.

User exit types are defined in all OM address spaces, as specified by OWNER(OM), and include the following:

**CLNTCONN**

Client Connection command registration and deregistration user exit

**INITTERM**

Initialization-Termination user exit

**INPUT**

Command input user exit

**OUTPUT**

Output user exit

**SECURITY**

Security checking user exit

User exit types are defined in all RM address spaces, as specified by OWNER(RM), and include the following:

**CLNTCONN**

Client Connection and Disconnection user exit

**INITTERM**

Initialization-Termination user exit

User exit types are defined in all SCI address spaces, as specified by OWNER(SCI), and include the following:

**CLNTCONN**

Client Connection and Disconnection user exit

**INITTERM**

Initialization-Termination user exit

**OWNER(BPE | CQS | DBRC | HWS | ODBM | OM | RM | SCI)**

An optional parameter that specifies the owner of the user exit type or types that you want to refresh. You can specify one of the following values:

**BPE**

For all IMS components that are running in a BPE address space.

**CQS**

For CQS address spaces only.

**DBRC**

For DBRC address spaces only.

**HWS**

For IMS Connect address spaces only.

**ODBM**

For ODBM address spaces only.

**OM** For OM address spaces only.

**RM** For RM address spaces only.

**SCI**

For SCI address spaces only.

The OWNER parameter acts as a filter to help you select the user exit types that you want to refresh. For example, you could specify NAME(\*) OWNER(CQS) to refresh all of the CQS-defined user exit types in a CQS address space. If OWNER is omitted, then both BPE and component user exits can be refreshed (depending on the exits specified on NAME).

**Usage notes**

There are two kinds of BPE user exit routines: type 1 and type 2. Type-1 exits are defined to BPE in BPE exit list PROCLIB members. These members are processed at address space initialization, and processed again when a REFRESH USEREXIT command is issued. This allows the exit specifications to be changed and updated while a BPE address space is running.

Type-2 exits are defined to BPE programmatically at execution time. Type-2 exit type names are typically generated by the IMS component using BPE based on other specifications outside of BPE's control. For example, the name of the IMS Connect Port Message Edit exit type is generated using the TCP/IP port number—for instance, POR01234 for port 1234. Type-2 exits are not specified in the BPE exit list PROCLIB member.

For type-1 exits, the REFRESH USEREXIT command does two things. It causes BPE to reprocess the user exit PROCLIB members specified in the BPE configuration PROCLIB member. It also reloads the user exit modules currently

listed in the user exit PROCLIB members for the types specified on the command. By using this command, you can update your user exits without stopping and restarting the address space.

For type-2 exits, the REFRESH USEREXIT command only reloads the user exit modules that were defined to BPE at execution time. Because type-2 exits are not defined externally to BPE, the definitional values (module names, abend limits) of the exits are not changed.

When you enter the REFRESH USEREXIT command, BPE performs the following processing:

- For type-1 exits:
  - Reads any user exit PROCLIB members that are specified on EXITMBR= statements in the BPE configuration PROCLIB member. Because BPE re-reads these members at the time you issue the command, you can edit the user exit PROCLIB members before issuing the REFRESH command and make changes to the user exit definitions. BPE does not re-read the main BPE configuration PROCLIB member, so you cannot change the names of the user exit PROCLIB members; you can change only their contents.
  - Loads the user exit modules specified on the EXITDEF= statements for the user exit types specified on the command.
- For type-2 exits:
  - Loads new copies of the user exit modules associated with the user exit types specified on the command.
- Quiesces all current user exits. This means that the command waits for any active exits to complete processing and delays any new calls to the current exits. Quiescing all current user exits ensures that no user exit is running while the exit is being refreshed.
- Replaces BPE control block pointers to the previous user exit modules with pointers to the newly loaded modules. These pointers are used to manage the calling of the exits.
- Resumes the user exits and enables calls to be made to the newly-loaded exits.
- Deletes the old copy of the user exits.

BPE loads the new copies of the user exit modules before deleting the old modules. If an error occurs during this process (for example, a module could not be loaded or BPE internal control block storage could not be obtained), BPE fails the command and leaves the old copies of the user exits in effect. All modules of the specified user exit types must be loaded successfully for the command to complete successfully.

When a user exit module is refreshed, its abend count is reset to zero. This means that a user exit module that had reached its abend limit (specified by the ABLIM parameter on the EXITDEF statement) and was no longer being called by BPE is again called.

**Important:** If you changed the ABLIM parameter for a user exit in the PROCLIB member, the *new* value of ABLIM takes effect after the refresh command.

#### *Considerations for refreshing user exits*

- When you refresh a user exit type, BPE reloads all exit modules defined for that type. The new copies of the modules will be at a different virtual address than the old copies. Modules that are re-entrant will operate properly. However, if

your modules are not re-entrant and they store data within themselves, they must be able to tolerate being reloaded and losing the information previously stored within them.

**Attention:** Code and link edit all user exit modules as re-entrant to avoid this condition.

- If you refresh a previously loaded user exit module, BPE continues to pass the same static work area that was used by the previous copy of the module. If the new version of the module has a different mapping or use of this area than the previous version, the new version must contain toleration code that can handle the old-style formatted data within this static work area.

**Recommendation:** Place a version number in the static work area, so that your exits can recognize when they are using a different data structure within this work area.

- If you remove a user exit module from an EXITDEF list and refresh the exits, BPE deletes the static work area associated with the removed exit module. If you later add the module back to the EXITDEF list and refresh the exits, the module gets a new (cleared) static work area, *not* the work area it had previously.
- If your user exits are being managed by link-lookaside (LLA) using virtual lookaside facility (VLF) or an equivalent product, you must ensure that the copies of the modules being refreshed are updated in LLA prior to issuing the REFRESH USEREXIT command.
- If you have user exits that issue z/OS WAITs for long periods of time (for example, a WAIT for an external event that may be delayed, such as a write to operator with reply (WTOR)), then issuing a REFRESH USEREXIT command could cause a performance problem or work stoppage. This is because BPE has to quiesce the user exits in order to process the REFRESH command. BPE must wait until all currently-called user exits complete before it can perform the user exit refresh. BPE prevents any new calls to user exits until after the command completes. If a user exit has been called and does not return to BPE for a long period of time, the REFRESH command is delayed until the exit returns. No other user exits can be called while BPE is waiting, so the processes that are invoking the user exits are also put into a wait state.

**Recommendation:** Ensure that your user exits avoid long WAITs, and avoid issuing services that might WAIT.

## Output

The REFRESH USEREXIT command output consists of message, BPE0032I indicating that the command has completed:

```
BPE0032I REFRESH USEREXIT COMMAND COMPLETED
```

## Examples

Here are some examples of using the REFRESH USEREXIT command.

### *Command example 1*

Refresh all user exit modules.

#### **Command:**

```
F CQS1,REFRESH USEREXIT NAME(*)
```

**Output:**

```
BPE0032I REFRESH USEREXIT COMMAND COMPLETED
```

**Command example 2**

Refresh all user exit modules for the OM command input and output exit types.

**Command:**

```
F OM,REF USRX NAME(INPUT,OUTPUT)
```

**Output:**

```
BPE0032I REF USRX COMMAND COMPLETED
```

**Related concepts:**

[z/OS: Changing LLA-managed libraries](#)

**Related reference:**

Chapter 1, "Introduction to the BPE commands," on page 3

[Base Primitive Environment customization exit routines \(Exit Routines\)](#)

[BPE exit list members of the IMS PROCLIB data set \(System Definition\)](#)



---

## Part 2. Common Service Layer commands

Use the Common Service Layer commands to work with the CSL.

- Chapter 5, “CSL SHUTDOWN command,” on page 39
- Chapter 6, “STOP csjob commands,” on page 41



---

## Chapter 5. CSL SHUTDOWN command

Use the CSL SHUTDOWN command to shut down a CSL on one z/OS image or to shut down an entire IMSplex.

Subsections:

- “Syntax”
- “Usage notes”

### Syntax

►► F—*scijobname*—, —SHUTDOWN— CSLLCL  
CSLPLEX ◀◀

### Usage notes

Before issuing the z/OS MODIFY command, you may want to bring down your IMS control regions that are connected to the CSL by issuing a /CHE FREEZE command.


To shut down a CSL on one z/OS image, issue z/OS MODIFY command: F *scijobname*,SHUTDOWN CSLLCL where *scijobname* is the name of the SCI in the CSL.

This command shuts down the CSL on the z/OS image associated with the SCI that receives the command. Use this version of the command to shut down the CSL on a single z/OS image in an orderly way.

To shut down an entire IMSplex, issue z/OS MODIFY command: F *scijobname*,SHUTDOWN CSLPLEX, where *scijobname* is the name of the SCI in the CSL.

This command shuts down the CSL managers on all z/OS images in a single IMSplex associated with the SCI that receives the command.

#### Related tasks:

 Shutting down the CSL using z/OS commands (Operations and Automation)



---

## Chapter 6. STOP csjob commands

The STOP (or P) *odbmjobname*, *omjobname*, *rmjobname*, and *scijobname* commands are used to shut down the Open Database Manager (ODBM), Operations Manager (OM), Resource Manager (RM), and Structured Call Interface (SCI) address spaces in an IMSplex.

Subsections:

- “Syntax”
- “Keywords”

### Syntax

▶▶  $\left[ \begin{array}{l} \text{P} \\ \text{STOP} \end{array} \right] \text{odbmjobname}$  —————▶▶

▶▶  $\left[ \begin{array}{l} \text{P} \\ \text{STOP} \end{array} \right] \text{omjobname}$  —————▶▶

▶▶  $\left[ \begin{array}{l} \text{P} \\ \text{STOP} \end{array} \right] \text{rmjobname}$  —————▶▶

▶▶  $\left[ \begin{array}{l} \text{P} \\ \text{STOP} \end{array} \right] \text{scijobname}$  —————▶▶

### Keywords

#### ***odbmjobname***

Identifies the job name of the ODBM address space to be stopped.

#### ***omjobname***

Identifies the job name of the OM address space to be stopped.


#### ***rmjobname***

Identifies the job name of the RM address space to be stopped.

#### ***scijobname***

Identifies the job name of the SCI address space to be stopped.

#### **Related tasks:**

 Shutting down the CSL (Operations and Automation)



---

## Part 3. Common Queue Server command

Use the Common Queue Server command to work with the CQS.

- Chapter 7, “STOP cqsjob command,” on page 45





---

## Chapter 7. STOP *cqsjobname* command

Use the STOP (P) *cqsjobname* command to shut down CQS normally. The command is rejected if any active IMS subsystems are currently connected to CQS.

### Syntax

►► — [ P ] — *cqsjobname* ————— ►►  
      └ STOP ─┘

### Keyword

The following keyword can be specified for the STOP *cqsjobname* command.

#### ***cqsjobname***

Identifies the job name for the CQS to be stopped.



---

## Part 4. DBRC commands

Use Database Recovery Control (DBRC) commands to obtain services from DBRC.

Database Recovery Control command information includes:

- Chapter 8, "Introduction to the DBRC commands," on page 49
- Chapter 9, "BACKUP.RECON command," on page 61
- Chapter 10, "CHANGE commands," on page 63
- Chapter 11, "CLEANUP.RECON command," on page 159
- Chapter 12, "DELETE commands," on page 173
- Chapter 13, "GENJCL commands," on page 191
- Chapter 14, "INIT commands," on page 303
- Chapter 15, "LIST commands," on page 343
- Chapter 16, "NOTIFY commands," on page 369
- Chapter 17, "RESET.GSG command," on page 417
- Chapter 19, "Sample listings from the RECON data set," on page 423



---

## Chapter 8. Introduction to the DBRC commands

Use DBRC commands to obtain services from DBRC. Use these commands to add, change, and delete information in the RECON data set and to generate the JCL and the control statements you need to run the various IMS utilities used in database recovery.

You can also use DBRC API requests to obtain the same services from DBRC.

---

### DBRC batch commands

Use DBRC batch commands to create a backup copy of the RECON data set, check information in the RECON data set, modify information in the RECON data set, delete information from the RECON data set, generate jobs for the various IMS recovery utilities, or to make changes to a RECON data set.

Here is a summary of the DBRC commands:

- Use the BACKUP.RECON command to create a backup copy of the RECON data set.
- Use the CHANGE commands to modify information in the RECON data set.
- Use the DELETE commands to delete information from the RECON data set.
- Use the GENJCL commands to generate jobs for the various IMS recovery utilities.
- Use the INIT commands to make the following changes to the RECON data set:
  - Initialize the RECON data set
  - Register databases and their related records
  - Create change accumulation groups and reuse change accumulation data sets
  - Create DBDS groups, DB groups, and recovery groups
  - Create reuse image copy records
  - Define a global service group (GSG) and a service group (SG) for RSR
- Use the LIST commands to produce a formatted printout of all or selected parts of the RECON data set.
- Use the NOTIFY commands to add to the RECON information that is normally written there automatically.
- Use the REPAIR.RECON command to make the following changes to the RECON data set:
  - Rebuild a missing or corrupted RECON DMB Table record.
  - Check or correct inconsistencies with the internal representation of the data management block (DMB) number in the RECON header, database, and Fast Path area records.
- Use the RESET.GSG command after an unplanned RSR takeover to remove obsolete recovery information about RSR-covered databases and areas from the original active site RECON data sets.

DBRC commands can be issued using one of the following ways:

- You can issue DBRC commands using the Database Recovery Control utility (DSPURX00).

- You can also issue a variation of some of these commands online using the `/RMxxxxxx` command.
- With the exception of `LIST.xx`, you can issue DBRC commands using the DBRC application programming interface with the `FUNC=COMMAND` request.
- CICS® users can execute DBRC commands using the CICS-supplied transaction `CDBM`, that provides a command interface to `DBCTL`.

**Related concepts:**

- [Data set naming conventions \(System Administration\)](#)
- [CICS: CDBM - database control interface](#)
- [DBRC API \(System Programming APIs\)](#)

**Related reference:**

- [Database Recovery Control utility \(DSPURX00\) \(System Utilities\)](#)
- [CICS: Issuing DBRC commands from CICS](#)

## DBRC online commands

Certain DBRC commands can be issued from an online IMS environment (`/RMxxxxxx` commands).

The online DBRC commands are:

- `/RMCHANGE`
- `/RMDELETE`
- `/RMGENJCL`
- `/RMINIT`
- `/RMLIST`
- `/RMNOTIFY`

After these commands successfully pass through IMS security, IMS passes these commands to DBRC where they are processed. These commands are processed in a similar manner as the regular DBRC commands of similar name. For example, DBRC processes a `/RMCHANGE` command in a similar manner as a `CHANGE` command. The authorization of these online commands can also be controlled in a similar manner as the batch DBRC commands, namely you can use the DBRC Command Authorization exit (`DSPDCAX0`), a security authorization program like `RACF`®, or both.

**Related concepts:**

- [DBRC security \(System Administration\)](#)

**Related reference:**

- [DBRC Command Authorization exit routine \(DSPDCAX0\) \(Exit Routines\)](#)

## DBRC command syntax

All DBRC commands adhere to the syntax described here. This syntax is standard, command-language syntax and is similar to that of TSO and Access Method Services.

You can enter commands in uppercase, lowercase, or mixed case format. DBRC translates most command input into uppercase format before processing, regardless of the format that is used. However, DBRC does not translate keyword values and string values into uppercase format. For example, the *'value'* portion of the

**USERKEYS** parameter on GENJCL commands, and the **UDATA** parameter on the NOTIFY.UIC and CHANGE.UIC commands are processed in the exact format in which they are entered.

Subsections:

- "Separators"
- "Continuation characters"
- "Comments"
- "Commands"
- "Parameters" on page 52

## Separators

A blank, a comma, or a comment can be interchanged in a command wherever a separator is needed. More than one separator can be used between parameters.

## Continuation characters

Continuation characters are used to continue commands and comments that do not fit on a single line of input.

The two continuation characters used by DBRC are the minus sign (-) and the plus sign (+):

- + Deletes the leading separators from the continued line.
- Does not delete the leading separators from the continued line.

**Restriction:** A character string enclosed in single quotation marks (for example, ('c...c')) can be continued only with a minus continuation character because separators are meaningful in a character string between single quotation marks. DBRC assumes such a character string to be ended if the end of a line is reached before the ending quotation mark is encountered and the last non-blank character in the line is not a minus continuation character. The maximum length of a character string is 256 characters.

## Comments

Comments consist of alphanumeric character strings beginning with the symbols (/\*) and ending with the symbols (\*/).

A comment is assumed to have ended if the end of a line is reached before the character string (\*/) is encountered and if the last character in the line is not a continuation character.

## Commands

A command consists of a verb, a modifier, and, in most cases, a list of parameters. Exactly one period (.) follows the verb, with no other characters between the verb and the modifier.

Commands can be entered anywhere in columns 1 through 72 of the DBRC SYSIN input stream. Commands can be continued on multiple lines by entering a continuation character as the last non-blank character of the command line.

Columns 73 through 80 of the SYSIN input stream are ignored.

## Parameters

Most DBRC commands have both required and optional parameters.

In general, there are no positional keyword parameters in DBRC commands. The keyword parameters are of the following types:

- A keyword by itself
- A keyword with a value:  
keyword(v)
- A keyword with a list of values:  
keyword(v1,v2..)
- A keyword with a repeating list of values:  
keyword((v1,v2..),(v1,v2..)..)

When you enter a repeating list of values only once for this type of keyword, you can omit the outer set of parentheses like this:

keyword(v1,v2)

Some commands have mutually exclusive parameters. In the parameter descriptions, a vertical bar (|) separates the mutually exclusive parameters. If you specify more than one of these parameters on the same command, you will not get an error, but DBRC will use the last one specified and ignore the others.

**Important:** The following coding rules apply to DBRC command parameters:

- Certain keywords require values in a specific form.
- The format for hexadecimal input is X'xxx', where X'x' can be any of the characters 0-9 and A-F.
- Any character can be part of a character string.
- A character string that contains blanks or any other special characters must be enclosed in single quotation marks. For example,  
UDATA('RECOVERY POINT FOR ALL PARTITIONS TAKEN ON IMS12 EACH MONTH')
- Data set names, data set ddnames, and volume serial numbers can include hyphens.
- Data set names follow the conventions specified in the z/OS JCL manuals.

Except where otherwise noted, optional keywords with values have the following defaults.

### Numeric values

0

### Character values

blank

If a particular parameter is encountered more than once within a command, the last occurrence of the parameter is used. If mutually exclusive parameters are encountered within a command, the last occurrence is used.

---

## DBRC time stamps

Time stamps are points in time recorded in the RECON data set. Correctly interpreting time stamp formats found in RECON listings, messages, and dumps will help you enter the appropriate time stamp in commands.

Time-stamp precision is to the microsecond.



## Standard time stamp format

Certain parameters require a time stamp, which may be entered in one of the following formats:

### Compressed:

yydddhhmmssthmiju [offset]

### Punctuated:

[yy]yy|ddd|hh|mm|ss|thmiju [offset]

where:

**yyyy** Is the year (0000 to 9999)

**ddd** Is the day (000 to 366)

**hh** Is the hour (0 to 23)

**mm** Is the minute (0 to 59)

**ss** Is the second (0 to 59)

### thmiju

Is the millionth of a second (000000 - 999999)

| Can be any non-numeric character delimiter including blank except the single quotation mark. If the time stamp contains any blanks, commas, or parentheses, it must be enclosed in single quotation marks. For example,

```
LIST.LOG STARTIME('11.213 08:24:45.123456 -8')
```

or

```
LIST.LOG STARTIME('11,213 08:24:45.123456 PST')
```

**offset** Can be one of the following:

1. Omitted. The current TIMEZIN value is used.
2. A numeric offset in the form **±h[h:mm]** or **±h[h:mm]** that, when added to UTC, gives local time. **h[h]** is a numeric value from 0 to 14. For the compressed format if **mm** is specified, then **hh** must also be specified. **mm** is a value from the set {00, 15, 30, 45}.  
**±hh:mm** is valid only between the values -11:45 to +14:45.  
**±hhmm** is valid only between the values -1145 to +1445.
3. A symbolic time zone label.

The time stamp value might have elements truncated on the right, in which case the omitted element's digits are assumed to be zeros.

You can truncate the input at the beginning of any element after ddd; so, yyyy|ddd is acceptable, as is yyyy|ddd|hh. Part of an element cannot be entered: for example, yyyy|ddd|h is invalid.

If only two digits are entered for the year, the two high order digits are extrapolated by using the sliding-window method described in "Extrapolation of two-digit year input" on page 57.

The same time stamp value could be entered in the following ways:

```

11213082445123456
11213082445123456-0800
11.213/08:24:45.123456

```

or with blank, commas, or parentheses:

```

'11.213 08:24:45.123456 -8'           '11/213-08.24.45.123456 -8:00'
'11,213 08:24:45.123456 PST'         '11/213-16.24.45.123456 UTC'
'2011 213 16.24.45.123456 +0'

```

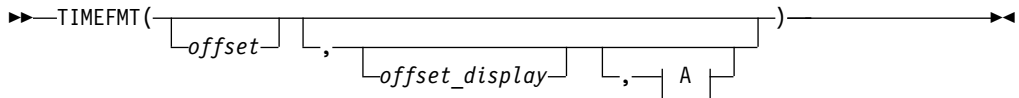
### *TIMEFMT parameter*

Use the optional TIMEFMT parameter to define the form in which time stamps appear in messages, displays, and listings from DBRC. Each parameter associated with TIMEFMT is optional and can be omitted by including only the comma. Time stamps in command output and message output are displayed using the format specified by the TIMEFMT parameter. All formats will now be displayed up to the microsecond precision.

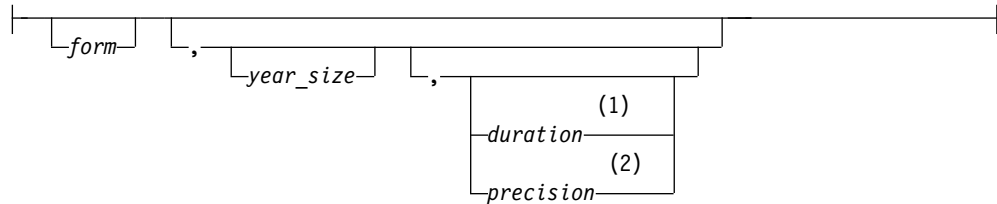
The TIMEFMT parameter can be used on CHANGE.RECON, LIST.xxxx, and GENJCL.xxxx commands or can be specified in a skeletal JCL member.

**Restriction:** The parameters that are associated with TIMEFMT are positional.

The format of the TIMEFMT parameter sublist is as follows:



### **A:**



### **Notes:**

- 1 *duration* can be set only on the CHANGE.RECON command.
- 2 *precision* is only valid on the %SET statement.

If items of the sublist are omitted, the current values from the RECON header are used.

### *offset*

Specifies the offset that is applied to the UTC internal time before display.

- U** Specifies none. Displays the UTC when the event occurred.
- 0** Specifies origin. Displays the local time when and where the event occurred.
- L** Specifies current local offset. Displays the current local time equivalent.

### *offset\_display*

Specifies the display format of the offset that is appended to the time

- L** Specifies that the offset is displayed in label format, if a label has been defined for it. If no label is defined, the offset is displayed in numeric format.
- 0** Specifies that the offset is displayed in the numeric (+|- HH:MM) format.
- N** Specifies that no time zone information is displayed.

### *form*

Specifies whether the time stamp is displayed in punctuated or compressed form.

- P** Specifies that the time stamp is displayed in punctuated form.
- C** Specifies that the time is displayed in compressed form.

### *year\_size*

Specifies whether all four digits of the year are displayed or only the two low-order digits.

- 2** Only the units and tens digits of the year are displayed.
- 4** All four digits of the year are displayed.

### *duration*

Specifies the scope of these choices to be either limited to the current job or used as global overrides to the system defaults. The *duration* subparameter can only be specified on a `CHANGE.RECON` command.

#### **PERM**

Indicates that the specified options are in effect for any subsequent DBRC utility job running with the same RECON; that is, these values become the defaults for subsequent jobs.

#### **TEMP**

Indicates that the specified options are in effect only for the job in which the command is entered. If neither **PERM** nor **TEMP** is coded, **TEMP** is the default.

### *precision*

Coded only on a `%SET` statement in skeletal JCL as a number from 1-6. You can use it to control the number of low-order digits contained in time stamps that are output by GENJCL. The default is 6.

As with other parameters, coding a null value causes the corresponding TIMEFMT value to be reset to the GENJCL default. TIMEFMT() resets all values.

### *TIMEFMT parameter in skeletal JCL*

Besides its use on the `CHANGE.RECON` command, the `TIMEFMT` parameter can be coded on any `LIST.xxx` or `GENJCL.xxx` DBRC command. It can also be specified in a skeletal JCL member as:

```
%SET TIMEFMT(...)
```

Here is an example of the `%SET` keyword in skeletal JCL:

```
%SET TIMEFMT(,N)
%SELECT RLDS(%SSID, LAST)
LOGEND =%LOGETIM
%ENDSEL
```

And here is what the output from the preceding example of %SET would render:

```
LOGEND =11011131500023456
```

### *TIMEFMT subparameter order of precedence*

The order of precedence of the TIMEFMT subparameters, from highest to lowest, is as follows:

1. RECON defaults

The RECON defaults are established by the INIT.RECON command. These defaults can be reset using the PERM option of the CHANGE.RECON command.

2. Job-level override

The RECON defaults can be overridden for the following commands in a SYSIN command stream using either PERM or TEMP options of the CHANGE.RECON command.

3. %SET statements in skeletal JCL members

The TIMEFMT settings in a %SET statement override the GENJCL default settings, as well as settings from a previous %SET statement in the same member.

4. Command override

The TIMEFMT settings in a DBRC command override all of the above settings within the scope of that command invocation. For example, a GENJCL.xxx command TIMEFMT setting overrides the TIMEFMT settings on any %SET statement in the applicable skeletal JCL member.

When coded on any command other than CHANGE.RECON, the last parameter, duration, has no meaning; any TIMEFMT values coded override the values that are currently in effect only for the duration of the command. For any omitted values, the values currently in effect from the most recent CHANGE.RECON command with a PERM duration, which override the INIT.RECON defaults, remain in effect.

The values set in the RECON data set by the INIT.RECON command are **TIMEFMT(O,N,P,2,TEMP)**.

The defaults used by GENJCL commands are **TIMEFMT(O,O,C,2,TEMP,6)**.

**Recommendation:** If your installation operates multiple IMS systems with different time zones and they share data and a RECON; use UTC or LOC for RECON listings, at least, so that all the time stamps listed have a common base.

### **Specifying zero time stamp values**

A zero time stamp is valid only where explicitly allowed for a command keyword value. A zero time stamp value, where permitted, can be entered in either punctuated or compressed format, or can be condensed into a single digit. For example, you can specify a zero time stamp in the following ways:

```
000000000000000000  
'00 000 00:00:00.000000'  
0
```

If an offset value is given, it is ignored.

## Extrapolation of two-digit year input

Input time stamps on DBRC commands are accepted with the two-digit year notation. In this case the century digits are derived for the use of the internal time stamp. The century digits in the internal time stamp are determined from the two entered digits by the following process:

- The entered year digits are compared to a sliding window of 100 years. The lower limit of the window is the current year minus 70. The upper limit is the current year plus 29. A *breakpoint* is defined as the two low-order digits of the lower limit.

If the entered digits are equal to, or greater than, the breakpoint, the century digits of the lower limit are used. Otherwise, the century digits of the upper limit are used. The upper and lower limits of the window and the breakpoint are established when IMS is initialized. When the year changes, these values are computed again.

## Time stamp conversions and examples

In the examples that follow, local time is PST (offset -08:00).

An event occurring at 2007.030 10:00:0.123456 -08:00 (punctuated format) or 0703010000123456 -0800 (compressed format) is recorded in 12 bytes in the RECON data set as 2007030F|18000012|3456032D| (*yyyydddFhhmmssthmijufqqs*), where:

*yyyydddFhhmmssthmiju*

UTC, 8 hours later than the local time

*fqqs* Offset:

*f* Flag bits, normally 0

*qq* Quarter hours (32/4=8)

*s* Sign (D is negative, C is positive)

**Note:** The offset is always added to the UTC time to obtain the local time. To obtain the UTC time from local time, reverse the sign of the offset and add it to the local time.

The time stamp from a record in the RECON data set, such as a PRILOG record, lists as:

```
'2007.030 10:00:00.123456 -08:00'
```

When the time stamp above is entered in a command with the quotation marks, DBRC finds the record in the RECON data set with the recorded time as:

```
2007030F 18000012 3456032D
```

DBRC uses UTC time internally when searching for records in the RECON data set. The offset portion of the UTC time is ignored.

If no offset is supplied in the time stamp, DBRC uses the TIMEZIN value which might not be correct if a clock change has occurred since the time when the record was written in the RECON data set.

As long as the offsets are included, time stamps from different RECON listings can be used, even if the time stamps are displayed in different formats.

## Standard default settings for time-stamp values

The RECON data set time-stamp formats are the standard default.

From the RECON header:

```
TIMEZIN=%SYS
```

OUTPUT FORMAT: DEFAULT = LOCORG NONE PUNC YY No user-defined labels are defined.

Listing an allocation record without offset values lists the time stamp as:

```
11.027 19:03:47.123456
```

The allocation record was written prior to daylight savings change. The time stamp is entered on a command to list the record without an offset. With TIMEZIN=%SYS set in the RECON data set, the offset is obtained from current z/OS clock which has changed. The record is not found in the RECON data set.

## DBRC commands affected by the time-stamp format

These DBRC commands have time stamps as part of their syntax.

- CHANGE.BKOUT
- CHANGE.CA
- CHANGE.IC
- CHANGE.PRILOG
- CHANGE.SECLOG
- CHANGE.UIC
- DELETE.ALLOC
- DELETE.CA
- DELETE.IC
- DELETE.LOG
- DELETE.RECOV
- DELETE.REORG
- DELETE.UIC
- GENJCL.CA
- GENJCL.RECOV
- GENJCL.USER
- LIST.HISTORY
- LIST.LOG
- NOTIFY.ALLOC
- NOTIFY.BKOUT
- NOTIFY.CA
- NOTIFY.IC
- NOTIFY.PRILOG
- NOTIFY.RECOV
- NOTIFY.REORG
- NOTIFY.SECLOG
- NOTIFY.UIC

For more information on the standard time-stamp format, see “Standard time stamp format” on page 53.

## DBRC commands that require full-precision time stamp parameters

The following commands use time stamps to identify specific RECON records or information within RECON records that is being changed. A full-precision time stamp is required in these cases.

- CHANGE.BKOUT: UORTIME parameter
- CHANGE.CA: RECTIME parameter
- CHANGE.IC: RECTIME parameter
- CHANGE.PRILOG (for RLDS/SLDS/TSLDS): STARTIME and DSSTART parameters
- CHANGE.SECLOG (for RLDS/SLDS/TSLDS): STARTIME and DSSTART parameters
- CHANGE.UIC: RECTIME parameter
- DELETE.ALLOC: RECTIME parameter
- DELETE.CA: RECTIME parameter
- DELETE.IC: RECTIME parameter
- DELETE.LOG: STARTIME parameter
- DELETE.RECOV: RECTIME parameter
- DELETE.REORG: RECTIME parameter
- DELETE.UIC: RECTIME parameter
- LIST.LOG: STARTIME parameter
- NOTIFY.ALLOC: STARTIME parameter
- NOTIFY.ALLOC: ALLTIME parameter (only when specified with the DEALTIME parameter).
- NOTIFY.SECLOG (for RLDS/SLDS/TSLDS): STARTIME parameter
- NOTIFY.SECLOG (for RLDS/SLDS/TSLDS): STARTIME parameter

DBRC no longer ignores the low-order digits following the tenth of a second. For example, if you want to modify information for the following image copy:

```
-----  
IMAGE  
  RUN      = 2011.114 16:28:41.123456 -07:00*  RECORD COUNT =0  
  STOP     = 0000.000 00:00:00.000000 +00:00  BATCH      USID=0000000000  
  
  IC1  
  DSN=DHVNTZ02.IC1                               FILE SEQ=0001  
  UNIT=3400                                       VOLS DEF=0001 VOLS USED=0001  
                                                    VOLSER=USER01  
-----
```

Enter one of the following CHANGE.IC commands:

```
CHANGE.IC DBD(DHVNTZ02) DDN(HIDAM) RECTIME('2011.114 16:28:41.123456 -07:00') -  
ICDSN(NEWDSN)  
CHANGE.IC DBD(DHVNTZ02) DDN(HIDAM) RECTIME(11114162841123456-0700) -  
ICDSN(NEWDSN)  
CHANGE.IC DBD(DHVNTZ02) DDN(HIDAM) RECTIME(11114162841123456) -  
ICDSN(NEWDSN)
```

Creation of new records involving time stamps (for example, NOTIFY.IC) or displaying log records in a time range (for example, LIST.LOG FROMTIME) enable the user to be as precise as they choose when specifying the time stamp. With the exception of the parameters listed above, all other DBRC command time stamp parameters only require the minimum specification of year and day. The rest of the time stamp will be padded with zeros.

### Related reference:

“CHANGE.RECON command” on page 123

“Skeletal JCL syntax” on page 244



---

## Chapter 9. BACKUP.RECON command

Use the BACKUP.RECON command to create backup copies of the RECON data set from the Copy1 RECON.

The BACKUP.RECON command first opens the RECON data set and any needed cleanup is done to remove any RECON inconsistencies. The command then invokes the IDCAMS REPRO command, using its normal defaults, to create the backup copy. Any restrictions applicable to the normal use of the REPRO command apply to this command. The data set receiving the backup copy must be empty.

Subsections:

- “Syntax”
- “Keywords”
- “Usage notes”
- “Example of creating backups of a RECON data set” on page 62

### Syntax



### Keywords

The following keywords are valid for the BACKUP.RECON command:

#### **RECON1 | RECON2 | BOTH**

Mutually exclusive, optional keywords that you use to specify the backup data set to which the RECON data set is copied.

##### **RECON1**

Copies the RECON data set to the backup data set specified by the BACKUP1 DD statement of your JCL.

##### **RECON2**

Copies the RECON data set to the backup data set specified by the BACKUP2 DD statement of your JCL.

##### **BOTH**

Copies the RECON data set to the data sets specified by the BACKUP1 and BACKUP2 DD statements of your JCL.

### Usage notes

If parallel RECON access is used, RECON activity for all DBRC instances is quiesced. A check for the existence of retained locks related to the COPY1 RECON data set is completed before the IDCAMS REPRO command is invoked. If any retained locks exist, the IDCAMS REPRO command is not invoked, and the command fails.

In parallel RECON access mode, any retained locks that exist for the RECON data sets must be resolved. Ensure that the SMS server (SMSVSAM) is active and Transactional VSAM (TVS) is active on all processors and resubmit the command.

If your RECON RECORDSIZE is greater than 32 KB, the BACKUP.RECON command will fail if the back up is to a sequential data set. Perform the following steps to back up a RECON data set to a sequential file (for example, to a tape):

1. Create a backup KSDS using the BACKUP.RECON command
2. Use DFSMSdss to copy the backed-up KSDS to the sequential file

### **Example of creating backups of a RECON data set**

In this example, two backup copies of the Copy1 RECON are created.

```
//BKUP      JOB
//BACKUP1   DD      . . .
//BACKUP2   DD      . . .

:
//SYSIN     DD      *
              BACKUP.RECON BOTH
/*
```

To create a sequential backup, the BACKUPx DD statement must include appropriate DCB parameters. The BLKSIZE specified must be larger than the maximum RECORDSIZE defined in the RECON data set, but less than 32K. For example, DCB=(RECFM=VB,LRECL=32756,BLKSIZE=32760).

---

## Chapter 10. CHANGE commands

Use the CHANGE commands to modify information in a RECON data set.

---

### CHANGE.ADS command

Use the CHANGE.ADS command to change DEDB ADS information in the RECON data set. The CHANGE.ADS command fails if you issue it while the area is in use.

Subsections:

- “Syntax”
- “Keywords”
- “Example of changing an ADS record” on page 64

#### Syntax

```
▶▶—CHANGE.ADS—ADDN(name)—AREA(name)—DBD(name)—┐
└─ADDNNEW(name)—┘
┐
└─ADSN—(—name—)┘ ┐ UNAVAIL ┘
└─AVAIL—┘
```

#### Keywords

##### ADDN(*name*)

Required keyword you use to specify the area data set ddname of the ADS being changed.

##### AREA(*name*)

Required keyword you use to identify the ADS being changed, by area name.

##### DBD(*name*)

Required keyword you use to identify the ADS being changed, by database name

##### ADDNNEW(*name*)

Optional keyword you use to identify the ADS being changed, by new ddname.

##### ADSN(*name*)

Optional keyword you use to identify the ADS being changed, by new data set name.

##### UNAVAIL | AVAIL

Mutually exclusive, optional keywords you use to change the ADS record to indicate its availability.

##### **UNAVAIL**

Indicates that the ADS is unavailable.

## AVAIL

Indicates that the ADS is available. The CHANGE.ADS AVAIL command fails if the area needs to be recovered.

If neither AVAIL nor UNAVAIL is specified but ADSN is specified, the value defaults to UNAVAIL.

## Example of changing an ADS record

In this example, an ADS record in the RECON data set is being changed.

```
//CHGADS JOB
:
//SYSIN DD *
CHANGE.ADS DBD(DBD001) AREA(AREA002) -
          ADSN(ADSN004) ADDN(ADDN004)
/*
```

### Related reference:

“INIT.ADS command” on page 303

---

## CHANGE.BKOUT command

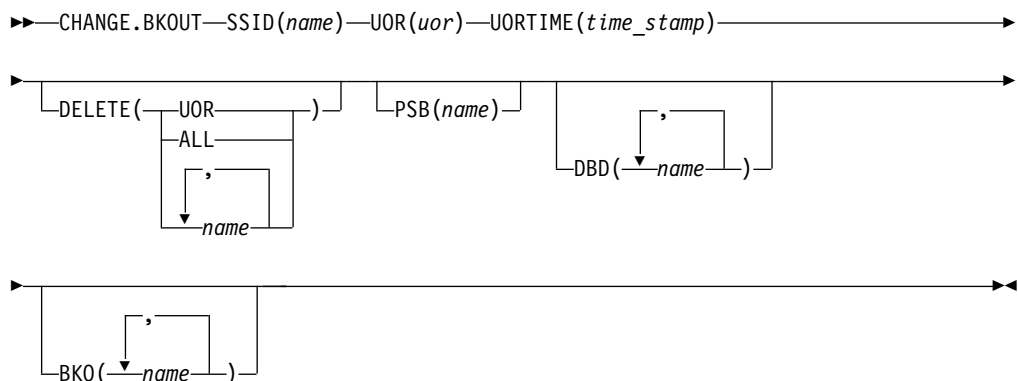
Use the CHANGE.BKOUT command to add, change, or delete a unit of recovery (UOR) in the backout record that is associated with a specified subsystem.

**Recommendation:** Use the CHANGE.BKOUT command when a dynamic backout failure has occurred and certain known backout records are invalid. Using the CHANGE.BKOUT command incorrectly can result in a loss of recovery integrity.

Subsections:

- “Syntax”
- “Keywords”
- “Example of using the CHANGE.BKOUT command” on page 66

### Syntax



### Keywords

The following keywords are valid for the CHANGE.BKOUT command:

#### SSID(name)

Required keyword that specifies the subsystem for which the backout record is

to be changed. The name is an alphanumeric string, with up to eight characters, that represents any valid subsystem name.

**UOR**(*uor*)

Required keyword that you use in conjunction with the UORTIME keyword to identify a unit of recovery in the backout record. The recovery token (*uor*) is 16-byte field that describes a specific UOR in the backout record. The value for this keyword must be expressed as 32 hexadecimal digits.

This keyword can specify a unit of recovery that currently exists in the backout record or one that is to be added to the record.

**UORTIME**(*time\_stamp*)

Required keyword that specifies the time of the UOR described above. The value is the beginning time of the UOR (found in the X'5607' log record). The time stamp must be in standard form.

**DELETE(UOR | ALL | *name...*)**

Optional keyword used to delete some or all of the information related to the unit of recovery that is specified by the required keywords described above.

**UOR**

Deletes the entire UOR defined by the required UOR and UORTIME keywords described above. If you do not specify DELETE(UOR), CHANGE.BKOUT assumes you are changing an existing UOR or adding a UOR that is not currently in the backout record.

If you specify DELETE(UOR), all other optional keywords are ignored.

If the UOR does not exist in the backout record, the command fails.

**ALL**

Specifies that the database entries for the specified UOR and UORTIME are deleted, but that the UOR prefix information is left intact, if you also specify database names in the DBD keyword, the BKO keyword, or both. If you do not specify database names in DBD or BKO, CHANGE.BKOUT acts as if DELETE(UOR) is specified. You can use the ALL option to replace, or substantially alter, a database list within a UOR entry of a backout record without disturbing the control data in the UOR's prefix. You can also use the ALL option to delete all database entries in the UOR except those that are listed in the DBD or BKO keywords.

*name*

Specifies up to eight database names for use with the DELETE keyword. Use a comma to separate each specified name. If you list all of the databases associated with the specified unit of recovery, CHANGE.BKOUT acts as if DELETE(ALL) is specified.

If any listed database name is not in the specified UOR, the command fails.

**Restrictions for HALDB databases:** When using the CHANGE.BKOUT command for HALDB databases, *name* specifies the name of a HALDB partition.

The following optional keywords can only be used if you do not specify DELETE(UOR). If the UOR already exists in the backout record, you must provide at least one of the optional keywords. If the UOR does not exist in the backout record, it is added. In this case, you must specify the PSB and either the DBD keyword or the BKO keyword.

You can specify either the BKO keyword, the DBD keyword, or both. However, the same database name cannot appear in both the BKO and the DBD keywords, because a database cannot be both backed out and require a backout at the same time.

**PSB**(*name*)

Optional keyword that identifies the PSB associated with the UOR. To add a UOR to the backout record, you must specify PSB(*name*). If the UOR defined by the required keywords already exists in the backout record, the specified PSB name replaces the current PSB name.

**DBD**(*name . . .*)

Optional keyword that identifies databases associated with the specified UOR. Up to eight database names can be listed with the DBD keyword. The database names listed here identify the databases that require backout for this unit of recovery. This keyword can be used to change the status of an existing database entry to backout required.

**Restrictions for HALDB databases:** When using the CHANGE.BKOUT command for HALDB databases, *name* specifies the name of a HALDB partition.

**BKO**(*name . . .*)

Optional keyword that identifies databases to which the UOR applies. Use BKO to identify databases that have already been backed out from this UOR. Up to eight database names can be specified with the BKO keyword. This keyword can be used to change the status of an existing database entry to backout completed.

**Restrictions for HALDB databases:** When using the CHANGE.BKOUT command for HALDB databases, *name* specifies the name of a HALDB partition.

## Example of using the CHANGE.BKOUT command

In this example, all database entries for the specified UOR and UORTIME are deleted, except those that are listed in the DBD and BKO keywords.

```
//CHGBKOUT JOB
:
//SYSIN DD *
CHANGE.BKOUT SSID(SYS3)-
              UOR(E2E8E2F34040400000000600000003)-
              UORTIME(07093134502123456) DELETE(ALL)-
              DBD(DATA1,DATA2,DATA3C)-
              BKO(DATA4,DATA5,DATA3A)
/*
```

---

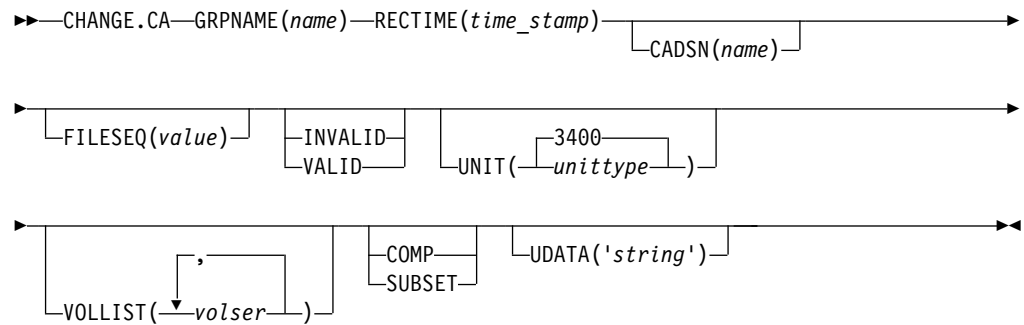
## CHANGE.CA command

Use the CHANGE.CA command to change information about a specified run of the Change Accumulation (CA) utility for an identified CA group in the RECON data set.

Subsections:

- "Syntax" on page 67
- "Keywords" on page 67
- "Examples" on page 68

## Syntax



## Keywords

### GRPNAME (*name*)

Required keyword you use to specify the name of the CA group for which information is to be changed.

### RECTIME (*time\_stamp*)

Required keyword you use to identify the change accumulation run record that you are changing.

Use the STOP time marked with an asterisk (\*) from the listing of the CA record. The time stamp must be in standard form.

### CADSN (*name*)

Optional keyword you use to specify the new name of the change accumulation data set in the identified record.

### FILESEQ (*value*)

Optional keyword you use to specify a new file sequence number that is to be recorded in the identified record.

### INVALID | VALID

Mutually exclusive, optional keywords you use to specify whether a change accumulation data set is to be used as input for a subsequent run of change accumulation or database recovery.

#### INVALID

Specifies that the change accumulation data set is not to be used as input for a subsequent run of change accumulation or database recovery. If an invalidated change accumulation data set is subsequently reused for output by change accumulation, it is automatically marked as valid and is used.

#### VALID

Specifies that the previously invalidated change accumulation data set is available for use as input to a subsequent run of change accumulation or database recovery. Use this keyword only if the change accumulation data set was previously marked as invalid and is now valid.

Specifying the INVALID keyword causes the STOPTIME and RUNTIME of the change accumulation record to be swapped. This prevents duplicate records in the RECON data set. Specifying the VALID keyword causes the STOPTIME and RUNTIME to be swapped back.

**UNIT(3400 | *unitttype*)**

Optional keyword you use to change the unit type of the volumes on which the change accumulation data set resides. The unit type can be up to eight alphanumeric characters long.

**VOLLIST(*volser*)**

Optional keyword that can be listed, that you use to replace the volume serial numbers of the change accumulation data set in the specified change accumulation run record. You can substitute up to 255 volume serial numbers in the variable field; each can be up to six alphanumeric characters long.

**SUBSET | COMP**

Mutually exclusive, optional keywords you use to indicate the change accumulation status.

**SUBSET**

Indicates that when the CA was created, a subset of logs were processed and the CA's stop time is the start time of the first unprocessed log volume.

**COMP**

Indicates that when the CA was created, a complete set of logs were processed and the CA's stop time is the stop time of the last log volume that was processed.

You do not need to use this keyword under normal conditions. Checking is not done to verify that the use of this keyword is consistent with the value of the CA stop time. This keyword value is used by the GENJCL.CA and GENJCL.RECOV processes. Incorrect use can result in invalid generated JCL.

**UDATA('string')**

Optional keyword you use to specify up to 80 bytes of information about the identified change accumulation data set. You can use the variable field of this keyword to describe how the change accumulation data set was created. The *string* value must be enclosed in single quotation marks if blanks or any other special characters are included.

**Examples*****Example 1: Changing a change accumulation run record***

In this example, a change accumulation run record in the RECON data set is being changed. The INVALID keyword indicates that the identified data set is not to be used as input to a subsequent run of a utility. The VOLLIST, FILESEQ, and CADSN keywords indicate additional fields in the record that are to be changed.

```
//CHGCA   JOB
:
//SYSIN   DD   *
          CHANGE.CA  GRPNAME(CAGRP2)  RECTIME(07065020433523456)  -
          INVALID   CADSN(IMS.CAGRP2.CA.CADSN2)  -
          VOLLIST(VOLCA1) FILESEQ(4)
/*
```

***Example 2: Changing the user data in a change accumulation run record***

In this example, information in a change accumulation record that is identified by the DBD, DDN, and RECTIME keywords is to be changed in the RECON data set. The changed user data is included in the UDATA parameter.



```

//CHGCA    JOB
:
//SYSIN    DD  *
CHANGE.CA  GRPNAME(CAGRP2) -
           RECTIME(09152104355891200) -
           UDATA('LAST CA OF THE WEEK')
/*

```

**Related reference:**

“INIT.CAGRP command” on page 307

“DBRC time stamps” on page 52

## CHANGE.CAGRP command

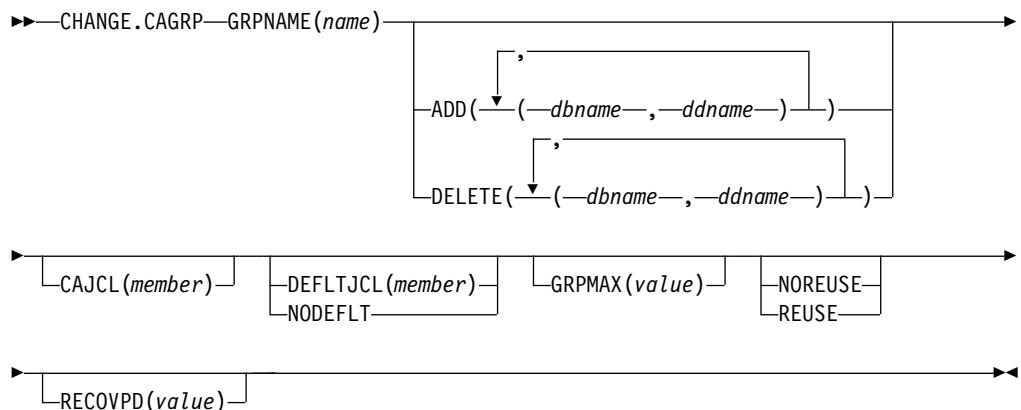
Use the CHANGE.CAGRP command to modify information contained in a specified CA group record in the RECON data set. You can also use this command to change the names of DBDSs that are members of a CA group.

**Restriction:** HALDB, ILDS, and PHIDAM Primary Index DBDSs are not recoverable and changes to them are not logged. The CHANGE.CAGRP command does not support these data sets.

Subsections:

- “Syntax”
- “Keywords”
- “Usage notes” on page 71
- “Examples of using the CHANGE.CAGRP command” on page 71

### Syntax



### Keywords

**GRPNAME(name)**

Required keyword you use to specify the name of the CA group whose record you want to modify.

**ADD(dbname, ddname) | DELETE(dbname, ddname)**

Mutually exclusive, optional keywords you use to specify the member you want to add to or delete from the specified CA group.

**ADD**

Specifies members you are adding to the identified CA group. A group cannot have more than 32767 members.

**Restriction:** User-recoverable databases cannot be added to a CA group.

**DELETE**

Specifies members you are deleting from the identified CA group. When you have deleted a member from a CA group, DBRC does not know previous change accumulation activities on that DBDS.

Specify a list of one or more members in the variable field; each member is a pair of names enclosed in parentheses. *dbname* is the database name of the member. For HALDB databases, *dbname* specifies the name of a HALDB partition. *ddname* is the symbolic name of the DD statement.

If you delete all the members of a group, the record of that group is deleted from the RECON data set.

**CAJCL(member)**

Optional keyword you use to change the name of a member of a partitioned data set of skeletal JCL. The member is used to generate the JCL for a run of the Change Accumulation utility when you issue a GENJCL.CA command for the specified CA group.

**DEFLTJCL(member) | NODEFLT**

Mutually exclusive, optional keywords you use to specify the implicit skeletal JCL default member for the CA group.

**DEFLTJCL**

Specifies an implicit skeletal JCL default member for the CA group. GENJCL.CA uses the default member you specify in order to resolve keywords you have defined.

**NODEFLT**

Specifies that no skeletal JCL default member is to be used for the CA group.

**GRPMAX(value)**

Optional keyword you use to modify the maximum number of change accumulation data sets that DBRC is to maintain for the specified CA group. *value* must be a decimal number from 2 to 1024.

When the number of times you run the Change Accumulation utility for the specified group exceeds the GRPMAX value, the record with the earliest change accumulation stop time beyond the recovery period for the group is deleted for CA groups defined with either REUSE or NOREUSE keywords.

**NOREUSE | REUSE**

Mutually exclusive, optional keywords you use to indicate whether change accumulation data sets are to be reused.

**NOREUSE**

Indicates that change accumulation data sets that were already used for the specified CA group cannot be reused as output data sets in subsequent runs of the Change Accumulation utility. Any existing, unused change accumulation run records for the specified CA group are deleted when you specify the NOREUSE keyword.

## REUSE

Indicates that change accumulation data sets that were already used for the specified CA group can be reused as output data sets in subsequent runs of the Change Accumulation utility.

If GRPMAX is higher than the number of existing data sets for the group, use the INIT.CA command to add additional data sets; otherwise reuse does not take place. See the explanation for GRPMAX.

## RECOVPD(0 | *value*)

Optional keyword you use to modify the recovery period for a specified CA group. The recovery period is the amount of time before the current date for which DBRC maintains change accumulation information in the RECON data set. For example, if the recovery period of a change accumulation group is 14 days, DBRC maintains sufficient change accumulation execution records for at least 14 days.

To determine whether the change accumulation execution record falls within the recovery period, subtract the RECOVPD value from the current time. Any change accumulation execution records with stop times that are newer than the calculated time is to be kept in the RECON data set.

For *value*, specify a decimal number from 0 to 999 that represent the number of days the change accumulation execution records are to be kept in the RECON data set. If you specify 0 (the default), there is no recovery period.

## Usage notes

If you issue the CHANGE.CAGRP command and specify the GRPMAX and RECOVPD values that are less than the existing values, any used change accumulation data sets with stop times that are beyond the recovery period are deleted until the number of remaining change accumulation data sets equals the specified GRPMAX value.

If you issue the DELETE.CA command, any specified change accumulation data set record is deleted regardless of the RECOVPD or GRPMAX values.

**Attention:** If the GRPMAX value is lowered by using the CHANGE.CAGRP command, the GRPMAX value is recorded regardless of whether the oldest change accumulation data sets can be deleted, because they are within the recovery period.

## Examples of using the CHANGE.CAGRP command

Here are several examples of things you can do using the CHANGE.CAGRP command.

### *Example of adding DBDSs to the existing CA group CAGRP1*

In this example, the DBDSs identified by the *dbname* and *ddname* parameters are to be added to the existing CA group, CAGRP1.

```
//CHGCAGRP JOB
:
//SYSIN DD *
CHANGE.CAGRP GRPNAME(CAGRP1) ADD((DB1,DD1),(DB2,DD2))
```

### *Example of deleting DBDSs from the CA group CAGRP1*

In this example, the DBDSs identified by the *dbname* and *ddname* parameters are to be deleted from the CA group, CAGRP1.

```
//CHGCAGRP JOB
:
//SYSIN DD *
CHANGE.CAGRP GRPNAME(CAGRP1) DELETE((DB3,DD3),(DB4,DD4))
```

#### *Example of changing a CA group record*

In this example, a CA group record in the RECON data set is being changed. The changes are made to prevent the reuse of CA data sets by the Change Accumulation utility. It also renames the member of the partitioned data set of skeletal JCL that is used for generating the JCL that is needed for the Change Accumulation utility for this CA group.


```
//CHGCAGRP JOB
:
//SYSIN DD *
CHANGE.CAGRP GRPNAME(CAGRP3) NOREUSE CAJCL(JCLCA)
/*
```

#### *Example of changing a CA group record*

In this example, the retention period for the change accumulation data sets for CA group CAGRP1 is being changed to 90 days.

```
//CHGCAGRP JOB
:
//SYSIN DD *
CHANGE.CAGRP GRPNAME(CAGRP1) RECOVPD(90)
```

#### **Related tasks:**

 [Adjusting GRPMAX when it is reached or it is too high \(System Administration\)](#)

#### **Related reference:**

“INIT.CAGRP command” on page 307

---

## **CHANGE.DB command**

Use the CHANGE.DB command to change the information about a database or a Fast Path DEDB area. This information is contained in a database record or area record in the RECON data set.

If you specify the keywords SHARELVL, TYPEFP, or TYPEIMS while the database or an area of the DEDB is in use, the command fails.

You can also use the CHANGE.DB command to remove a rare authorization inconsistency between the subsystem (SSYS) record and the database or area (DB/AREA) record. This inconsistency occurs when either the SSYS record still has an entry for the DB/AREA in its authorized databases/areas list but the DB/AREA record no longer contains the SSID entry in its associated subsystem information list or the SSID entry is still in the DB/AREA but the SSYS record either no longer exists in the RECON data set or no longer contains an entry for the DB/AREA. Use the AUTH keyword for this purpose.

**Restriction:** When issuing a CHANGE.DB command during a HALDB online reorganization:

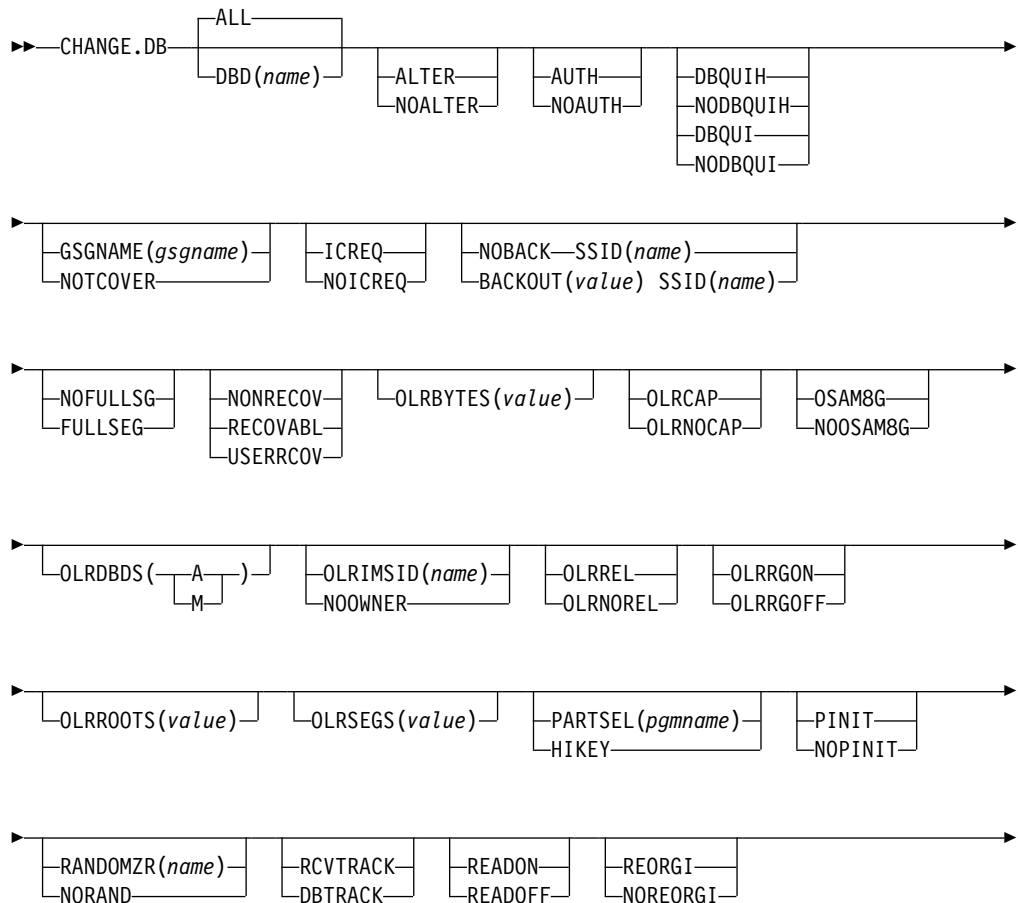
- The CHANGE.DB command can be specified only for a HALDB partition (TYPE=PART).
- HALDB online reorganization must have already been attempted for this partition (the M-through-V data sets must exist).
- The ALL keyword can be used only when issuing a CHANGE.DB ALL OLRCAP command. All HALDB databases that are available to be marked as online reorganization capable are marked "OLRCAP." Those unavailable for change (such as HALDB databases that are currently authorized) are skipped and are not marked as OLRCAP.

Subsections:

- "Syntax"
- "Keywords" on page 74
- "Usage notes" on page 84
- "Example of changing a record for a database identified with the DBD keyword" on page 84

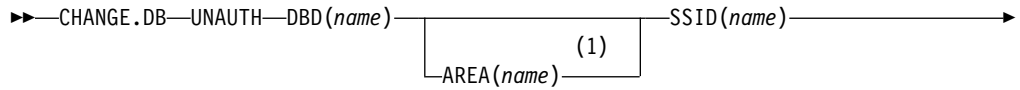
## Syntax

Use one of the following two diagrams for the CHANGE.DB command.





Or:



**Notes:**

- 1 Required if using this command for a Fast Path DEDB.

**Keywords**

**ALL | DBD(name)**

Mutually exclusive, optional keywords you use to identify the database for which the record is to be changed.

**Restriction:** If you specify the UNAUTH keyword, you must specify the DBD name. The ALL keyword is not valid with UNAUTH.

**ALL**

Specifies that you are changing all the databases registered in the RECON data set.

If any of the databases are HALDB masters or partitions, and you have specified any of the restricted keywords (for example, the PINIT or NOPINIT keywords), a warning message is issued and command processing continues.

**DBD**

Specifies that you are changing the record of a single database.

**Restrictions for HALDB databases:** For HALDB databases, specifies the name of a HALDB partition or the HALDB master (if you want to change all partitions of the HALDB master). For HALDB databases, you can use the CHANGE.DB command only as defined in the following table:

*Table 2. Keyword definitions for HALDB partition and master*

CHANGE.DB	name = TYPE=HALDB	name = TYPE=PART
ALTER   NOALTER	Yes	No
AUTH   NOAUTH	Yes (Global)	Yes
DBQUIH   NODBQUIH   DBQUI   NODBQUI	Yes	Yes
GSGNAME   NOTCOVER	Yes	No
ICREQ   NOICREQ	Yes	No

Table 2. Keyword definitions for HALDB partition and master (continued)

<b>CHANGE.DB</b>	<i>name = TYPE=HALDB</i>	<i>name = TYPE=PART</i>
NOBACK   BACKOUT	No	Yes
NOFULLSEG   FULLSG	N/A	N/A
NONRECOV   RECOVABL   USERRCOV	Yes	No
OLRBYTES	Yes	Yes
OLRCAP   OLRNOCAP	Yes	No
OLRDBDS(A   M)	No	Yes
OLRIMSID(name)   NOOWNER	No	Yes
OLRREL   OLRNOREL	No	Yes
OLRRGON   OLRRGOFF	No	Yes
OLRROOTS	Yes	Yes
OLRSEGS	Yes	Yes
OSAM8G   NOOSAM8G	Yes	No
PARTSEL   HIKEY	Yes	No
PINIT   NOPINIT	Yes	Yes
RCVTRACK   DBTRACK	Yes	No
READON   READOFF	No	Yes
REORGI   NOREORGI	Yes	Yes
SHARELVL	Yes	No
TYPEFP   TYPEIMS	No	No
UNAUTH	No	Yes

#### **ALTER | NOALTER**

Optional keywords that set or remove the ALTER IN PROGRESS status of a HALDB database or a Fast Path DEDB database.

For HALDB databases, the ALTER keyword sets the ALTER IN PROGRESS flag in the RECON records of all of the partitions in the HALDB database. The ALTER COUNT for the HALDB is updated to the number of partitions involved in the alter process. The NOALTER keyword turns off the ALTER IN PROGRESS flag in all of the partition records and clears the counter in the HALDB record.

For DEDB databases, you can specify the ALTER keyword with the AREA keyword that identifies the area that is being altered. If AREA is not specified, this simulates the replace randomizer function, and the ALTER COUNT for the DEDB is updated. The NOALTER keyword resets the alter status for the entire DEDB and, if specified, the AREA keyword is ignored.

The ALTER IN PROGRESS status cannot be changed if any of the partitions in a HALDB or any of the areas in a DEDB are authorized.

#### **AUTH | NOAUTH**

Mutually exclusive, optional keywords you use to specify whether the database is authorized to participate in data sharing.

##### **AUTH**

Indicates that authorization processing for data sharing is permitted for the database.

**NOAUTH**

Indicates that authorization processing for data sharing is prohibited for the database.

**DBQUIH | NODBQUIH | DBQUI | NODBQUI**

Mutually exclusive, optional keywords you use to specify database quiesce options. These keywords cannot be specified with the ALL keyword.

**DBQUIH**

Specifies that the QUIESCE HELD flag for the database is to be set on. If the command is issued for a Fast Path DEDB, the command will set the quiesce in progress flag for all areas of the Fast Path DEDB. If the command is issued for a HALDB master, the command will set the quiesce in progress flag for all partitions of the HALDB.

**Restriction:** DBQUIH is valid only if the QUIESCE IN PROGRESS flag is on or the DBQUI keyword is also included in the command.

**NODBQUIH**

Specifies that the QUIESCE HELD flag for the database is to be set off. If the command is issued for a Fast Path DEDB, the command will reset the quiesce in progress flag for all areas of the Fast Path DEDB. If the command is issued for a HALDB master, the command will reset the quiesce in progress flag for all partitions of the HALDB.

**DBQUI**

Specifies that the QUIESCE IN PROGRESS flag for the database is to be set on. If the command is issued for a Fast Path DEDB, the command will set the quiesce in progress flag for all areas of the Fast Path DEDB. If the command is issued for a HALDB master, the command will set the quiesce in progress flag for all partitions of the HALDB.

**Restriction:** DBQUI and PINIT keywords cannot be specified together.

**NODBQUI**

Specifies that the QUIESCE IN PROGRESS flag for the database is to be set off. If the command is issued for a Fast Path DEDB, the command will reset the quiesce in progress flag for all areas of the Fast Path DEDB. If the command is issued for a HALDB master, the command will reset the quiesce in progress flag for all partitions of the HALDB.

**Restriction:** NODBQUI is valid only if the QUIESCE HELD flag is off or the NODBQUIH keyword is also included in the command.

**FULLSEG | NOFULLSG**

Mutually exclusive, optional keywords that specify whether the full segment image is logged in the X'5950' log record when the segment is updated by a Replace (REPL) call. These keywords are valid only for Fast Path DEDBs. By specifying these keywords, all areas for the specified DEDB are changed to the indicated setting. This setting is saved in the database record for this DEDB and is used as the default setting for any areas that are registered later for this DEDB. These keywords cannot be specified with the ALL keyword.

This setting is not changed in any areas if the specified DEDB is currently authorized, in which case you receive a DSP0045I message. The DEDB must be unauthorized before you can successfully issue the command.

**FULLSEG**

Indicates that the full segment image is to be logged.



**NOFULLSG**

Indicates that only the updated portion of a segment is to be logged.

**GSGNAME(*gsname*) | NOTCOVER**

Mutually exclusive, optional keywords you use to assign the remote site recovery attributes of a DL/I database, including HALDB databases.

**GSGNAME**

Assigns the database to a global service group (GSG).

**NOTCOVER**

Discontinues remote site recovery for the database.

You cannot use the CHANGE.DB command to change the state of a database from non-RSR-covered to RSR-covered at a remote site. Message DSP1044I is issued if you attempt to change the covered state of the database with this command. In order to change a database not covered at a remote site, delete and reinitialize the database. Neither Fast Path DEDBs nor nonrecoverable databases can be assigned to a GSG. Neither GSGNAME nor NOTCOVER can be specified while the database is in use.

**ICREQ | NOICREQ**

Mutually exclusive, optional keywords used to specify whether DBRC should enforce the requirement of taking an image copy of a nonrecoverable or user-recoverable database after it has been loaded or reorganized. This option affects all DBDSs within the DB.

**ICREQ**

Used to reset the IMAGE COPY NEEDED option. When this option is active, DBRC will set IC NEEDED ON in the DBDS record and increment the IMAGE COPY NEEDED COUNT in the DB record following initial load (PROCOPT=L) or a reorganization of the DBDS.

**NOICREQ**

Used to disable the IC NEEDED requirement. DBRC will not set IC NEEDED ON in the DBDS record or increment the IMAGE COPY NEEDED COUNT in the DB record following initial load or a reorganization of the DBDS. The IC NEEDED flag can still be set manually with the CHANGE.DB ICON command.

**Restrictions:**

- If the DB is recoverable, NOICREQ cannot be specified without also specifying NONRECOV or USERRCOV.
- NOICREQ will reset all DBDS IC NEEDED values to OFF and the DB IMAGE COPY NEEDED COUNT to 0.
- If the DB is changed to RECOVABL, this option is reset to ICREQ and IC NEEDED is set ON in all DBDSs; and the DB IMAGE COPY NEEDED COUNT is set accordingly.
- ICREQ | NOICREQ cannot be specified with the ALL keyword.

**NOBACK SSID (*name*) | BACKOUT(*value*) SSID (*name*)**

Mutually exclusive, optional keywords you use to specify whether the database needs backout by any subsystem. Do not use these keywords for a DEDB.

**NOBACK**

Indicates that the specified subsystem does not need to back out the database. You use this keyword to delete backout information from the specified database record.

If the held AUTH state and ENCODED state are zero, and if the BACKOUT-NEEDED flag is on, using the NOBACK keyword causes the associated subsystem information to be deleted from the database record.

#### **BACKOUT**

Indicates that the specified subsystem needs to back out the database the specified number of times. You need to specify the subsystem name with the SSID keyword. If you do not specify the SSID keyword with the BACKOUT keyword, this command fails.

#### **SSID(*name*)**

Required keyword specifying which subsystem encountered the backout errors.

*name* is any valid subsystem name.

With UNAUTH, SSID indicates which entry is to be removed from the associated subsystem information list of the database specified with the DBD keyword, or which SSYS record is to be changed by removing the specified DB/AREA from the authorized databases/areas list.

SSID is required with either the BACKOUT or UNAUTH keywords. If coded without either BACKOUT or UNAUTH, the command fails.

#### **NONRECOV | RECOVABL | USERRCOV**

Mutually exclusive, optional keywords used to specify whether update logs of the specified database are recorded in the RECON data set.

#### **NONRECOV**

Specifies that no recovery is to be performed on the database. The effect of the NONRECOV keyword for full-function databases is different from that for Fast Path databases. When NONRECOV is specified for full-function databases, IMS logs backout information. When NONRECOV is specified for Fast Path databases, IMS does not log backout information.

#### **RECOVABL**

Specifies that the database is recoverable and all updates performed for the DBDs or areas are to be registered in the RECON data set.

#### **USERRCOV**

Specifies that update allocations for the Fast Path DEDB are not to be recorded in the RECON data set. Database updates are logged by IMS, but DBRC cannot be used to manage recovery for the database. Recovery is allowed with JCL manually generated by the user. This keyword is valid only for Fast Path DEDBs.

#### **Notes for USERRCOV:**

1. USERRCOV should be used only if a critical need to reduce database open time exists and recoverability is required.
2. USERRCOV requires the user to provide their own manually created JCL for change accumulation and recovery.

#### **Restrictions for NONRECOV, RECOVABL, and USERRCOV:**

- HALDB master databases are supported by these keywords, but HALDB partitions are not.
- These keywords are not valid when ALL is specified with the CHANGE.DB command.
- You cannot take concurrent image copies of nonrecoverable or user-recoverable databases.

- If the database is registered as RECOVABL or USERRCOV, VIO data sets cannot be used for the output log (IEFRDER) in any job that updates the database. Temporary log data sets, such as VIO, are deleted at job termination, and therefore are not usable for recovery.
- NONRECOV or USERRCOV cannot be specified for RSR-covered databases.
- NONRECOV does not support DEDBs with SDEPs.

#### **OLRBYTES(*value*)**

Optional parameter to specify a RECON value that indicates the number of bytes of a HALDB partition that have been moved by HALDB online reorganization. The value can range 0 - 47244640256. The value can be specified in decimal or hexadecimal equivalent. Hexadecimal values must be enclosed in quotation marks, such as X'B00000000'.

The OLRBYTES keyword is not valid for, or with, the following items:

- ALL, UNAUTH, OLRCAP, and OLRNOCAP keywords
- HALDB master
- HALDB partition that is marked as not capable of running OLR
- Fast Path databases

#### **OLRCAP | OLRNOCAP**

Mutually exclusive, optional keywords that specify if the HALDB can be reorganized online using HALDB OLR. There is no default and these keywords are valid only when the DBD is a HALDB master.

##### **OLRCAP**

Specifies (in the master database record and the partition database record) that the HALDB is capable of being reorganized online.

##### **OLRNOCAP**

Specifies (in the master database record and the partition database record) that the HALDB is not capable of being reorganized online. If the HALDB OLR cursor is active or if any M-through-V and Y DBDSs are active, the command fails. If the command completes successfully and the M-through-V and Y DBDSs and all of their associated records exist in the RECON data set, the M-through-V and Y DBDSs and all of their associated records are deleted from the RECON data set for all partitions.

#### **OLRREL | OLRNOREL**

Mutually exclusive, optional keywords that indicate whether the ownership of the HALDB OLR can be resumed by another IMS when the owning IMS abnormally terminates.

**Restriction:** In order to have the status changed, the HALDB OLR must be owned by an IMS that has abnormally terminated. The updated status is not reflected in a /DISPLAY DB OLR command output until the OLR is resumed.

#### **OLRRROOTS(*value*)**

Optional parameter to specify a RECON value that indicates the number of roots of a HALDB partition that have been moved by HALDB online reorganization. The value can range 0 - 2147483647. The value can be specified in decimal or hexadecimal equivalent. Hexadecimal values must be enclosed in quotation marks, such as X'FFFFFFFF'.

The OLRRROOTS keyword is not valid for, or with, the following items:

- ALL, UNAUTH, OLRCAP, and OLRNOCAP keywords
- HALDB master
- HALDB partition that is marked as not capable of running OLR

- Fast Path databases

### **OLRSEGS**(*value*)

Optional parameter to specify a RECON value that indicates the number of segments of a HALDB partition that have been moved by HALDB online reorganization. The value can range 0 - 47244640256. The value can be specified in decimal or hexadecimal equivalent. Hexadecimal values must be enclosed in quotation marks, such as X'B00000000'.

The OLRSEGS keyword is not valid for, or with, the following items:

- ALL, UNAUTH, OLRCAP, and OLRNOCAP keywords
- HALDB master
- HALDB partition that is marked as not capable of running OLR
- Fast Path databases

### **OLRRGON** | **OLRRGOFF**

Mutually exclusive, optional keywords that specify whether a HALDB OLR is in progress. These keywords are valid only for a HALDB partition.

#### **OLRRGON**

Specifies that a HALDB OLR is in progress. Both the A-through-J and the M-through-V data sets contain active data.

#### **OLRRGOFF**

Specifies that a HALDB OLR has completed and that either the A-through-J set of data sets or the M-through-V set of data sets contain active data. The flag is changed to indicate that the inactive data sets are now the active data sets. OLREORG CURSOR ACTIVE = NO is set in the DB record. The OLRIMSID is cleared.

**Note:** You might need to manually delete either the DB (HALDB) records or to add a stop time to them using the DELETE.REORG and NOTIFY.REORG commands.

### **OLRIMSID**(*name*) | **NOOWNER**

Mutually exclusive, optional keywords that specify or change the name of the IMS that owns the HALDB OLR.

### **OLRDBDS**(**A** | **M**)

Optional keyword that indicates the active set of DBDSs for this partition is either A-through-J and X or M-through-V and Y.

**A** Specifies that the A-through-J and X data sets are active.

**M** Specifies that the M-through-V and Y data sets are active.

If HALDB OLR is cursor active, this keyword indicates the set of DBDSs that are the input data sets.

### **OSAM8G** | **NOOSAM8G**

Mutually exclusive, optional keywords that specify in the master database record whether a HALDB PHDAM or PHIDAM database supports up to 4 or 8 gigabytes of data in OSAM database data sets. There is no default, and these keywords are valid only when DBD is specified for a HALDB master.

#### **OSAM8G**

Specifies that the maximum capacity of OSAM data sets is 8 gigabytes of data. If the HALDB can be reorganized online (OLR capable), the command fails. Only a database that is not OLR capable can be

changed to OSAM8G. If the database is currently OLR capable, you must specify OLRNOCAP and OSAM8G to change the maximum size to 8 gigabytes.

#### **NOOSAM8G**

Specifies that the maximum capacity of OSAM data sets is 4 gigabytes of data.

#### **PINIT | NOPINIT**

Mutually exclusive, optional keywords used to specify whether a HALDB partition needs to be initialized. Use this keyword after deleting and redefining one or more partition data sets without changing the database definition.

If the database specified by DBD keyword is a HALDB master, the change is made to all partitions. Otherwise, only the partition that is specified is changed.

#### **Restrictions:**

1. PINIT and NOPINIT keywords are not valid with ALL.
2. PINIT and DBQUI keywords cannot be specified together.

#### **PINIT**

Indicates that the partition needs to be initialized by using the DB Prereorganization utility or the HALDB Partition Data Set Initialization utility.

#### **NOPINIT**

Indicates that the partition does not need to be initialized.

#### **RANDOMZR(*name*) | NORAND**

Optional keywords used to change the name of the randomizing module for the Fast Path DEDB. If the keyword is specified and each IMS uses its own dedicated ACB library for ACBSHR=N, Fast Path verifies that the IMS accessing the DEDB is using this randomizer. Specify NORAND if you do not want the randomizer name to be verified. For ACBSHR=Y, randomizer name verification is never performed regardless of which keyword is specified.

#### **RANDOMZR(*name*)**

Specifies the name of the randomizing module for the Fast Path DEDB.

#### **NORAND**

Clears the name of the randomizing module for the Fast Path DEDB.

#### **RCVTRACK | DBTRACK**

Mutually exclusive, optional keywords you use to specify the type of RSR tracking (shadowing) for DL/I databases that are assigned to a GSG.

#### **RCVTRACK**

Indicates recovery-readiness tracking.

#### **DBTRACK**

Indicates database-readiness tracking.

Neither RCVTRACK nor DBTRACK can be specified for Fast Path DEDBs. For DL/I databases, RCVTRACK or DBTRACK can be specified only if the database is assigned to a GSG and is not currently in use, including all the partitions of a HALDB.

#### **READON | READOFF**

Mutually exclusive, optional keywords you use to specify whether the database can be restricted to read-only processing only. Do not use either keyword for a DEDB.

**READON**

Specifies that the database can be authorized only for read processing.

**READOFF**

Specifies that the database can be authorized for both read processing and update processing.

**SHARELVL(0 | 1 | 2 | 3)**

Optional keyword that you use to specify the level of data sharing for which authorized subsystems can share a database. You cannot specify this keyword for authorized DL/I databases.

The numbers 0, 1, 2, and 3 define the four types of data sharing levels.

- 0 Indicates that the database cannot be shared.
- 1 Indicates that the database can be shared by one IMS subsystem authorized for update and other IMS subsystems authorized only for read processing (no integrity processing). 1 can also indicate that the database can be shared by multiple IMS subsystems that have been authorized only for read processing. Level 1 is known as database-level sharing.
- 2 Indicates that the database can be shared by multiple, concurrent subsystems that have been authorized for update in a single-host processor environment. Level 2 is known as intrahost, block-level sharing.
- 3 Indicates that the database can be shared by multiple, concurrent subsystems that have been authorized for update in a multiple-host processor environment. Level 3 is known as interhost, block-level sharing.

**Restrictions:**

- The SHARELVL keyword must be greater than 0 for concurrent image copies.
- If you are using IRLM, and have specified SHARELVL 2 or 3, ensure that the VSAM SHAREOPTIONS (3 3) keyword is also specified in the database data set.
- The SHARELVL keyword applies to all areas in the DEDB.
- If you change a DEDB from level 0 or 1 to level 2 or 3, the first coupling facility structure name (CFSTR1) for all VSO areas in the DEDB is set to the name of the area. If you change a DEDB from level 2 or 3 to level 0 or 1, DBRC resets any specified coupling facility structure names to zeros, resets the LKASID keyword to NOLKASID, and resets the MAS keyword to NOMAS.

**TYPEFP | TYPEIMS**

Mutually exclusive, optional keywords you use to change the RECON record structure to a Fast Path DEDB or a DL/I database.

**TYPEFP**

Specifies that the database is a Fast Path DEDB and that the record structure in the RECON data set must be changed from IMS to Fast Path. TYPEFP cannot be specified for an RSR-covered DL/I database.

**TYPEIMS**

Specifies that the database is a DL/I database and that the record structure in the RECON data set must be changed from Fast Path to IMS. TYPEIMS cannot be specified if any area of a DEDB is covered by RSR.

## UNAUTH

Removes an entry from the associated subsystem information list in the database specified by the DBD keyword, or removes an entry from the authorized databases/areas list in the SSYS record specified by the SSID keyword. You must specify the following keywords when you use UNAUTH:

### DBD(*name*)

For the database name

**AREA** If the database is a Fast Path DEDB

### SSID(*name*)

For the IMS subsystem ID

### TRACKING

If the IMS subsystem is an RSR tracking subsystem

**Restrictions:** The following restrictions apply when you use the UNAUTH keyword:

- If any keywords other than DBD, AREA, SSID, and ACTIVE | TRACKING are specified for UNAUTH, the command fails.
- If AREA, ACTIVE, or TRACKING is specified without UNAUTH, the command fails.
- If the inconsistency between the SSYS and DB/AREA records as described above does not exist, the command fails.
- If the ACTIVE or TRACKING keyword does not match the SS ROLE field in the associated subsystem information entry of the specified database or area, the command fails.

### AREA(*name*)

Required when UNAUTH is specified for a Fast Path DEDB. The *name* value is the name of the DEDB area. If you specify AREA without UNAUTH, the command fails.

### ACTIVE | TRACKING

Indicates the role of the specified subsystem when UNAUTH is specified. These keywords are ignored unless UNAUTH is specified.

#### ACTIVE

Specifies that the subsystem is an RSR active subsystem.

#### TRACKING

Specifies that the subsystem is an RSR tracking subsystem.

### PARTSEL(*pgmname*) | HIKEY

Mutually exclusive, optional keywords that are used to either identify or delete a user partition selection exit program name for a HALDB database. Deleting the partition selection exit program name causes all of the partition selection strings to be cleared. Adding or changing a partition selection exit program name will leave the partition high keys or partition selection strings intact. In all cases, all of the partitions are marked PINIT (partition initialization needed). The command will fail if NOPINIT is also specified. Use the CHANGE.PART command to specify new partition high keys or partition selection strings.

#### PARTSEL(*pgmname*)

Identifies a user Partition Selection Exit program name for a HALDB. The value is a program name that is up to 8 characters long.

**Restriction:** This keyword is not valid with ALL.

## HIKEY

Removes an existing Partition Selection Exit program that is associated with a HALDB.

**Restriction:** This keyword is not valid with ALL.

## REORGI | NOREORGI

Mutually exclusive, optional parameters that are used by online reorganization products (other than the HALDB Online Reorganization function that is delivered with IMS) to inform DBRC they are active (they intend to reorganize the database) to provide data integrity for full function databases. When the REORG INTENT flag is set to ON, database authorization fails for other reorganization products, batch access, and online image copy processes.

### REORGI

Indicates that the database is going to be reorganized and sets the REORG INTENT flag to ON in the database record of the RECON data set if the following conditions have been met:

- Database type is valid. Must be full function including HALDB databases.
- The REORG INTENT flag is off.
- No batch jobs are authorized to the database.
- HALDB Online Reorganization (OLR) cannot have cursor active set (OLREORG CURSOR ACTIVE=YES).
- The database cannot be owned by an IMS OLRIMSID=imsid.

### NOREORGI

Indicates that the database is not going to be reorganized (or has just completed reorganization) and sets the REORG INTENT flag to OFF in the database record of the RECON data set if the following conditions have been met:

- Database type is valid. Must be full function including HALDB databases.
- The REORG INTENT flag is on.

## Usage notes

If a CHANGE.DB command is issued against a HALDB master that has authorized or opened partitions, either of the following command or command combination will need to be run to cause the changes to take effect for the authorized or opened partitions:

- /START DB *HALDB\_master* OPEN command
- /DBRECOVERY DB *HALDB\_master* command followed by a /START DB *HALDB\_master* command

## Example of changing a record for a database identified with the DBD keyword

This example specifies changes to be made to a record in the RECON data set for the database identified with the DBD keyword. The level of data sharing is specified, and the database needs one backout.

```
//CHGDB    JOB
:
//SYSIN    DD    *
          CHANGE.DB    DBD(THISDBD) NOAUTH READOFF SHARELVL(2) -
                      BACKOUT(1) SSID(IMSID1)
/*
```



**Related concepts:**

- [↗ Non-recovery option \(Database Administration\)](#)
- [↗ Levels of data sharing \(System Administration\)](#)
- [↗ Coordinating VSAM data set definitions with share options \(System Administration\)](#)
- [↗ Nonrecoverable full-function databases \(Database Administration\)](#)

**Related reference:**

- [↗ /RMxxxxxx commands \(Commands\)](#)
- “LIST.DB command” on page 346
- “CHANGE.DBDS command”

**Related information:**

- [↗ DSP0045I \(Messages and Codes\)](#)

---

## CHANGE.DBDS command

Use the CHANGE.DBDS command to change the information about a DBDS. This information is contained in a DBDS record in the RECON data set.

If you specify DSN, DDNNEW, or AREANew while the database or an area of a DEDB is in use, the command fails.

**Requirement:** The CHANGE.DBDS requires access to the definitions of IMS databases. If the IMS system manages ACBs, the definitions are retrieved from the IMS catalog and the name of the IMS catalog must be defined in the RECON header or the CHANGE.DBDS command itself. If the IMS catalog that is named in the RECON data set or in the command is not available, the command fails.

If the IMS system uses DBD, PSB, and ACB libraries, the IMS DBDLIB data set must be identified in the job stream for the Database Recovery Control utility (DSPURX00) with a ddname of IMS.

Some attributes of a HALDB DBDS can be changed with this command. Use the CHANGE.PART command if you want to change all the DBDSs of a HALDB partition.

**Restrictions for HALDB databases:** For HALDB databases, you can use this command only as indicated in the following table.

*Table 3. CHANGE.DBDS for HALDB databases*

CHANGE.DBDS	Partition data DBDS	Partition index/ILDS DBDS
ADDEQE   DELEQE	Yes	Yes
CFSTR1	N/A	N/A
CFSTR2   NOCFSTR2	N/A	N/A
AUTH   NOAUTH	N/A	N/A
DBQUIH   NODBQUIH   DBQUI   NODBQUI	No	No
DDNEW   AREANew	No	No
DEFLTJCL   NODEFLT	Yes	No

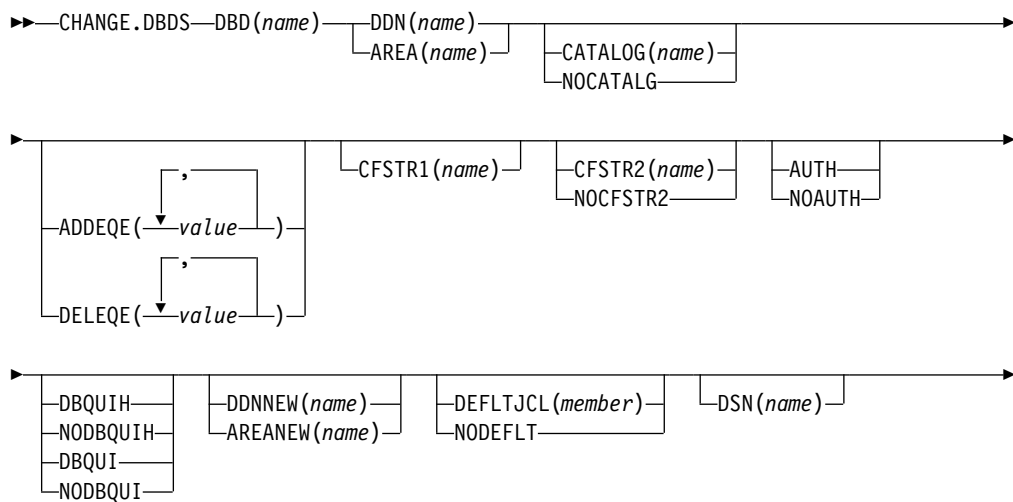
Table 3. CHANGE.DBDS for HALDB databases (continued)

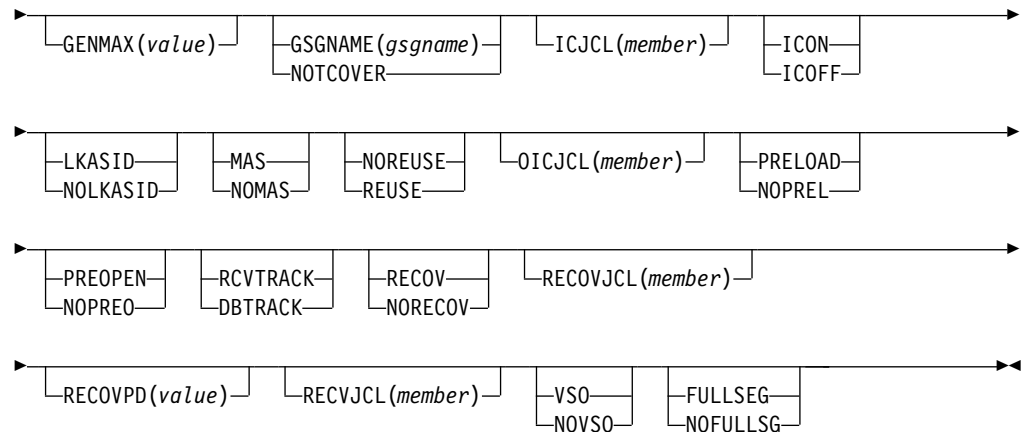
CHANGE.DBDS	Partition data DBDS	Partition index/ILDS DBDS
DSN	No	No
GENMAX	Yes	No
GSGNAME   NOTCOVER	N/A	N/A
ICJCL	Yes	No
ICON   ICOFF	Yes	No
NOREUSE   REUSE	Yes	No
OICJCL	Yes	No
LKASID   NOLKASID	N/A	N/A
PRELOAD   NOPREL	N/A	N/A
PREOPEN   NOPREO	N/A	N/A
RCVTRACK   DBTRACK	N/A	N/A
RECOV   NORECOV	Yes	Yes
RECOVJCL	Yes	No
RECOVPD	Yes	No
RECVJCL	Yes	No
VSO   NOVSO	N/A	N/A
FULLSEG   NOFULLSG	N/A	N/A

Subsections:

- “Syntax”
- “Keywords” on page 87
- “Example of changing a record for a Fast Path DEDB” on page 94

## Syntax





## Keywords

### DBD (*name*)

Required keyword you use to identify by its database name the DBDS or DEDB area whose record is to be changed.

**Restriction for HALDB databases:** For HALDB databases, *name* specifies the name of a HALDB partition.

### DDN (*name*) | AREA (*name*)

Mutually exclusive, required keywords you use to identify the DBDS or DEDB area whose record is to be changed. When you specify DDN, you specify the ddname of the DBDS. When you specify AREA, you specify the name of the area.

### CATALOG (*name*) | NOCATALG

Mutually exclusive, optional parameters that you use to indicate whether IMS references the IMS catalog or the DBDLIB during the processing of the CHANGE.DBDS command.

If these parameters are omitted, the value of CATALOG= in the RECON header determines whether IMS uses the IMS catalog or DBDLIB during the processing of this command.

#### CATALOG (*name*)

Specifies the IMS catalog that IMS references for the processing of the CHANGE.DBDS command.

Specify *name* as an eight-character alphanumeric string that matches the name of an IMS catalog database that is registered in the RECON data set as a HALDB database. Any IMS catalog name that is less than eight-characters is padded with blanks.

The IMS catalog name is validated during the CHANGE.DBDS command. If the catalog does not exist, is not defined as a HALDB database, or is not available for use, the command fails.

#### NOCATALOG

Specifies that the CHANGE.DBDS command uses the DBD library instead of the IMS catalog.

### ADDEQE (*value*) | DELEQE (*value*)

Mutually exclusive, optional keywords you use to change the error queue elements of a DBDS.

**ADDEQE**

Adds error queue elements to a DBDS. Error queue elements indicate that an I/O error occurred on the data set and that the data set therefore needs to be recovered. Processing continues except for that part of the data set described by the error queue element. Error queue elements can be added only when the DBDS is not in use. The value specified in the variable field is one or more 4-byte hexadecimal values enclosed in quotation marks; for example, ADDEQE(X'00002345', X'00012345', ...).

**DELEQE**

Deletes error queue elements from a DBDS. Deletion of error queue elements indicates that recovery processing has occurred on that data set. Error queue element deletions can be done only when the DBDS is not in use. The value specified in the variable field is one or more 4-byte hexadecimal values enclosed in quotation marks; for example, DELEQE(X'00002345', X'00012345', ...).

When you add an EQE to a database, the RECOV-NEEDED flag is automatically turned on. When you delete an EQE, and no other EQE flags exist for the database, the RECOV needed flag is turned off. Do not specify RECOV or NORECOV when specifying the ADDEQE or DELEQE keywords.

**CFSTR1**(*name*)

Optional keyword you specify to change the name of the first coupling facility structure for the identified VSO area. Adhere to the z/OS coupling facility structure naming conventions. This keyword is valid only for VSO areas of DEDBs that are defined with SHARELVL(2 | 3). The area name is the default if the area is changed to VSO and the DEDB is SHARELVL(2 | 3). CFSTR1 is not allowed if the area is authorized, unless it is also being changed from NOVSO to VSO.

**CFSTR2**(*name*) | **NOCFSTR2**

Mutually exclusive, optional keywords you use to update or remove the name of the second coupling facility structure for the identified VSO area. These keywords are valid only for VSO areas of DEDBs that are defined with SHARELVL(2 | 3). These keywords are allowed for an authorized area only if it is being changed from NOVSO to VSO.

**CFSTR2**(*name*)

Specifies the new name of the second coupling facility structure. Adhere to the z/OS naming conventions for coupling facility structures.

**Restriction:** CFSTR2 cannot be specified with MAS or cannot be specified if the area is already specified as a multi-area coupling facility structure.

**NOCFSTR2**

Removes the name of the second coupling facility structure (CFSTR2).

**AUTH** | **NOAUTH**

Mutually exclusive, optional keywords you use to specify whether the area is available for authorization processing. The AUTH and NOAUTH keywords are valid only if you have specified the AREA keyword.

**AUTH**

Specifies that the area is available for authorization processing.

**NOAUTH**

Specifies that authorization processing is prohibited for the area.

If you specify the CHANGE.DBDS AREA(*name*) RECOV command, all ADSs that belong to that area are set to unavailable status at the same time.

**DBQUIH | NODBQUIH | DBQUI | NODBQUI**

Mutually exclusive, optional keywords you use to specify database quiesce options. These keywords are valid only if you have specified the AREA keyword.

**DBQUIH**

Specifies that the QUIESCE HELD flag for the DEDB area is to be set on.

**Restriction:** DBQUIH is valid only if the QUIESCE IN PROGRESS flag is on or the DBQUI keyword is also included in the command.

**NODBQUIH**

Specifies that the QUIESCE HELD flag for the DEDB area is to be set off.

**DBQUI**

Specifies that the QUIESCE IN PROGRESS flag for the DEDB area is to be set on.

**NODBQUI**

Specifies that the QUIESCE IN PROGRESS flag for the DEDB area is to be set off.

**Restriction:** NODBQUI is valid only if the QUIESCE HELD flag is off or the NODBQUIH keyword is also included in the command.

**DDNNEW(*name*) | AREANEW(*name*)**

Mutually exclusive, optional keywords you use to change either the database ddname of the specified DBDS or the area name of the specified Fast Path DEDB area in the RECON data set.

When you specify this keyword, the new ddname replaces the existing ddname for all records in the RECON data set that correspond to the specified DBDS.

You must supply a ddname for the IMS DBDLIB data set in the JCL for the CHANGE.DBDS command. The new ddname must be defined in the IMS DBD library and its numeric data set identifier must be unchanged; it also cannot already exist in the RECON data set.

AREANEW is valid only if you have specified the AREA keyword.

**DEFLTJCL(*member*) | NODEFLT**

Mutually exclusive, optional keywords you use to specify an implicit skeletal JCL default member for the DBDS.

**DEFLTJCL**

Specifies the new implicit skeletal JCL default member for the DBDS. The specified member is used by the GENJCL.IC, GENJCL.OIC, and GENJCL.RECOV commands to resolve keywords you have defined.

**NODEFLT**

Removes the default JCL name from the DBDS record when you do are not using a default JCL member.

**DSN(*name*)**

Optional keyword you use to change the data set name of the identified DBDS. You cannot use this keyword for a DEDB area.

**FULLSEG | NOFULLSG**

Mutually exclusive, optional keywords that specify whether the full segment image is logged in the X'5950' log record when the segment is updated by a Replace (REPL) call. These keywords are valid only for Fast Path DEDBs. These keywords cannot be specified if the area is in use. To change attributes of area records for DBRC, the areas must be stopped.

The keywords update the attributes for area records in the RECON data set and override the default attributes that have been set by the INIT.DB or CHANGE.DB commands.

**FULLSEG**

Indicates that the full segment image is to be logged.

**NOFULLSG**

Indicates that only the updated portion of a segment is to be logged.

**GENMAX**(*value*)

Optional keyword you use to change the maximum number of image copy data sets DBRC is to maintain for the specified DBDS or DEDB area. *value* must be a decimal number from 2 to 255.

If the value you specify is smaller than the number of image copy data sets currently existing for the specified DBDS, records of image copy data sets that are beyond the recovery period are deleted from RECON until the number reaches the specified GENMAX value. Records of image copy data sets with the oldest time stamps are deleted until the number that remains equals the specified GENMAX value.

If you are increasing the GENMAX value and REUSE is specified, use the INIT.IC command to create additional image copy records in the RECON data set. If the number of data sets does not equal GENMAX, reuse of the data sets does not take place and you eventually run out of available data sets for the utility.

**GSGNAME**(*gsgname*) | **NOTCOVER**

Mutually exclusive, optional keywords you use to assign the remote site recovery attributes of a DEDB area.

**GSGNAME**

Assigns the area to a global service group (GSG).

**NOTCOVER**

Discontinues remote site recovery for the area.

GSGNAME and NOTCOVER are only valid if AREA is specified.

You cannot use the CHANGE.DBDS command to change the state of an area from non-RSR-covered to RSR-covered. Message DSP1044I is issued if you attempt to change the covered state of the area with this command. In order to change an area from non-RSR-covered to RSR-covered, issue the following two commands for the area:

- DELETE.DBDS
- INIT.DBDS

**ICJCL**(*member*)

Optional keyword you use to change the name of the member of the partitioned data set of skeletal JCL. The GENJCL.IC command uses this name to generate the JCL for a run of the Database Image Copy utility for the specified DBDS or DEDB area.

## **ICON | ICOFF**

Mutually exclusive, optional keywords you use to specify whether a database needs an image copy.

### **ICON**

Specifies that a DBDS needs to have an image copy taken. If the image copy status of a DBDS is IC RECOMMENDED, issuing a CHANGE.DBDS ICON command changes the image copy status (in the RECON) from IC RECOMMENDED to IC NEEDED. In the associated database record, the IC NEEDED counter increases to indicate how many DBDSs need an image copy.

### **ICOFF**

Specifies that a DBDS does not need an image copy. If the image copy status of a DBDS is IC RECOMMENDED or IC NEEDED, issuing a CHANGE.DBDS ICOFF command resets (turns off) the image copy status. If the image copy status was IC NEEDED before issuing the CHANGE.DBDS ICOFF command, the IC NEEDED counter in the associated database record is decreased by one after the CHANGE.DBDS ICOFF command is issued. The IC NEEDED counter indicates the number of DBDSs that need an image copy.

## **LKASID | NOLKASID**

Mutually exclusive optional keywords you use to specify whether local data caching for the specified area is to be used for buffer lookaside on read requests. The LKASID option is valid only for VSO areas that are specified as SHARELVL(2 | 3). These keywords are allowed for an authorized area only if it is being changed from NOVSO to VSO.

### **LKASID**

Indicates that buffer lookaside is to be performed on read requests for this area.

### **NOLKASID**

Indicates that buffer lookaside is not to be performed on read requests for this area.

For VSO DEDB areas that use a single-area structure, the LKASID value that is defined in the RECON data set for the area takes precedence over the DFSVSMxx PROCLIB member's DEDB LKASID value.

For VSO DEDB areas that use a multi-area structure, LKASID or NOLKASID must be specified by using the DFSVSMxx PROCLIB member. The LKASID value that is defined in the RECON data set for the area is ignored.

## **MAS | NOMAS**

Mutually exclusive, optional keywords you use to specify whether a shared VSO area is to reside in a multi-area coupling facility structure.

### **MAS**

Indicates that the area is to reside in a multi-area coupling facility structure. A second coupling facility structure name (CFSTR2) cannot be specified if MAS is specified. If a second structure is already defined, the second structure's name is removed.

**Restriction:** MAS can be specified only if the DEDB is specified as SHARELVL (2 or 3) and either VSO is specified or the area is already specified as a VSO DEDB. Also, CFSTR2 cannot be specified with MAS or cannot be specified if the area is already specified as a multi-area coupling facility structure.

**NOMAS**

Indicates that the coupling facility structure (or structures) should contain data for only this area.

**NOREUSE | REUSE**

Mutually exclusive, optional keywords you use to indicate whether image copy data sets can be reused for subsequent image copy jobs.

**NOREUSE**

Indicates that image copy data sets already used for the specified DBDS or DEDB area are not to be reused for subsequent image copies. Any existing, unused image copy data set records for the specified DBDS or DEDB area are deleted.

**REUSE**

Indicates that image copy data sets already used for the specified DBDS or DEDB area can be made available for reuse by subsequent image copies. You cannot specify REUSE if RECON contains any nonstandard image copy data set records for the DBDS or DEDB area.

If GENMAX is higher than the number of existing data sets for the group, use the INIT.IC command to add additional data sets; otherwise, reuse of the data sets does not take place.

**OICJCL(member)**

Optional keyword you use to change the name of the partitioned data set member of skeletal JCL. You cannot use this keyword for a DEDB area. The GENJCL.OIC command uses this name to generate the JCL for a run of the Online Database Image Copy utility for the specified DBDS.

**PRELOAD | NOPREL**

Mutually exclusive, optional keywords you use to specify whether a VSO DEDB area is to be loaded the next time it is opened.

**PRELOAD**

Indicates that the area is to be loaded into the data space or coupling facility structure the next time that it is opened. Selecting this option also causes the area to be preopened.

**NOPREL**

Indicates that the VSO area is not to be loaded into the data space or coupling facility structure the next time that it is opened. CIs are copied into a data space when they are read for the first time.

**PREOPEN | NOPREO**

Mutually exclusive, optional keywords you use to specify whether a VSO DEDB area is to be opened either, after the first checkpoint following the next control region initialization, or when the next /STA AREA command is processed.

**PREOPEN**

Indicates that the area is to be opened the next time the control region is started or a /STA AREA command is processed. This option is valid for both VSO and non-VSO areas.

**NOPREO**

Indicates that the area is not to be preopened the next time the control region is started or a /STA AREA command is processed. You cannot specify this keyword with the PRELOAD keyword.



**RCVTRACK | DBTRACK**

Mutually exclusive, optional keywords you use to specify the type of RSR tracking (shadowing) for an area assigned to a GSG.

**RCVTRACK**

Indicates recovery-readiness tracking.

**DBTRACK**

Indicates database-readiness tracking.

**Restriction:** RCVTRACK and DBTRACK can be specified only if AREA is specified and the area is assigned to a GSG.

**RECOV | NORECOV**

Mutually exclusive, optional keywords you use to specify whether a DBDS or DEDB area needs to be recovered.

**RECOV**

Specifies that the DBDS or area needs to be recovered. A RECOVER-NEEDED counter in the associated database record is increased to indicate the number of DBDSs that need to be recovered.

**NORECOV**

Specifies that the DBDS or DEDB area does not need to be recovered. A RECOVERY-NEEDED counter in the associated database record is decreased to indicate the number of DBDSs that have been recovered.

**RECOVJCL** (*member*)

Optional keyword you use to change the name of a member of the partitioned data set of skeletal JCL. The GENJCL.RECOV command uses the member to generate the JCL for a run of DBRC for the specified DBDS or DEDB area.

**RECOVPD** (*value*)

Optional keyword you use to change the recovery period for a specified DBDS or DEDB area.

*value* must be a number from 0 to 999 that represents the number of days the image copies are to be kept in the RECON data set. A 0 indicates no recovery period.

**RECVJCL** (*member*)

Optional keyword you use to specify the name of the skeletal JCL member to be used for the GENJCL.RECEIVE command.

RECVJCL can be specified for both RSR-covered and non-RSR-covered DL/I DBDSs and Fast Path areas.

**VSO | NOVSO**

Mutually exclusive, optional keywords you use to specify whether an area resides in virtual storage the next time the control region is initialized or when the next /STA AREA command is processed.

**VSO**

Indicates that the area is to reside in virtual storage. Areas defined with SHARELVL(0 | 1) are read into and written from a z/OS data space. Areas defined with SHARELVL(2 | 3) use the coupling facility to share data between connected subsystems.

**NOVSO**

Indicates that this area is not to reside in virtual storage.

If an area was previously specified as SHARELVL(2 | 3), changing the area to NOVSO clears the coupling facility structure names and resets the LKASID setting to NOLKASID. NOVSO cannot be specified if the area is in use.

### Example of changing a record for a Fast Path DEDB

This example specifies changes to be made to the record in the RECON data set for the Fast Path DEDB that is identified by the DBD and AREA keywords. The image copy data sets for the specified DEDB area are not reused, and the maximum number of images that DBRC maintains is two. In addition, the image copy data sets for the specified DBDS are kept in the RECON data set for at least 15 days.

```
//CHGDBDS JOB
:
//SYSIN DD *
CHANGE.DBDS DBD(DB3) AREA(DD3) NOREUSE -
GENMAX(2) RECOVPD(15)
/*
```

### Example using the DBDLIB instead of the default catalog name

```
//CHANGEDBDS JOB
:
//IMS DD DSN=IMS.DBDLIB,DISP=SHR
//SYSIN DD *
CHANGE.DBDS DBD(DBD002) DDN(DDN003) GENMAX(2) REUSE -
ICJCL(ICJCLX) RECOVJCL(RECOVJCX) DSN(DSN003) -
NOCATALOG
/*
```

### Example using the catalog name GREGCD00 instead of the default catalog name

```
//CHANGEDBDS JOB
:
//SYSIN DD *
CHANGE.DBDS DBD(DBD002) DDN(DDN003) GENMAX(2) REUSE -
ICJCL(ICJCLX) RECOVJCL(RECOVJCX) DSN(DSN003) -
CATALOG(GREGCD00)
/*
```

#### Related concepts:

- [➞ Defining a VSO DEDB area \(Database Administration\)](#)
- [➞ Coupling facility structure naming convention \(Database Administration\)](#)
- [➞ Recovery period of image copy data sets and GENMAX \(System Administration\)](#)

#### Related reference:

- “LIST.DBDS command” on page 349
- “CHANGE.PART command” on page 100
- “INIT.DBDS command” on page 315

- [➞ /RMxxxxxx commands \(Commands\)](#)

#### Related information:

- [➞ DSP0045I \(Messages and Codes\)](#)

## CHANGE.DBDSGRP command

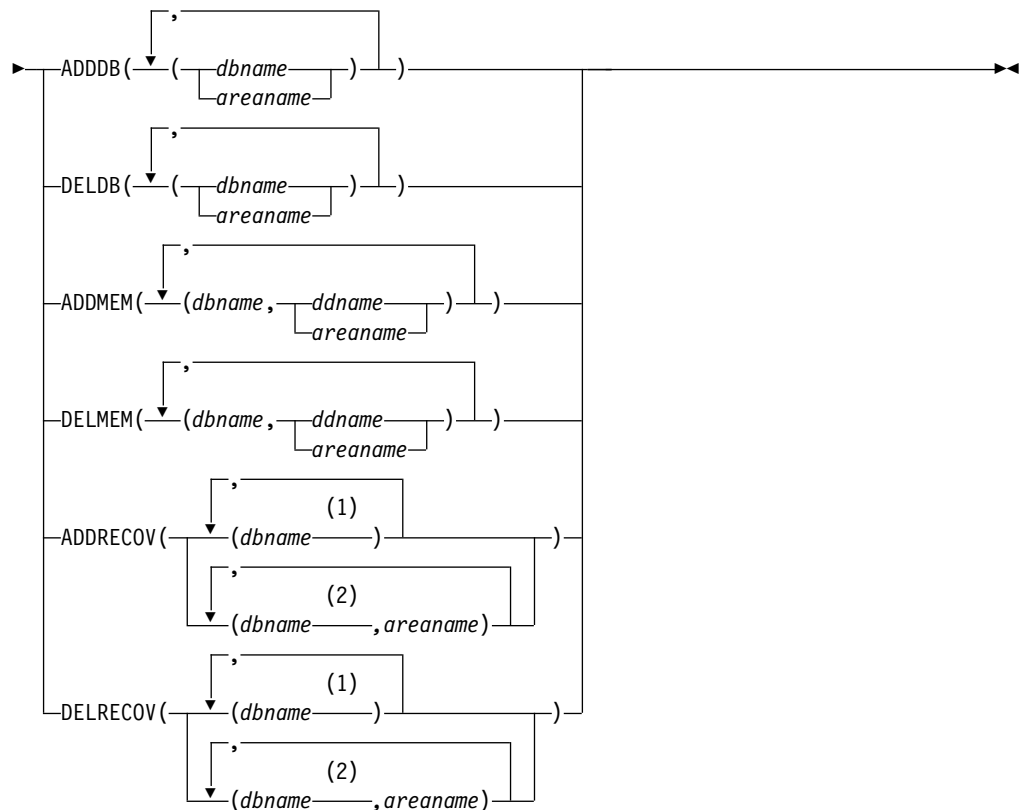
Use a CHANGE.DBDSGRP command to change the information about a DBDS or database group. This information is contained in a DBDS group record in the RECON data set.

Subsections:

- "Syntax"
- "Keywords"
- "Example of changing a group of DBDSs" on page 97

### Syntax

►► CHANGE.DBDSGRP—GRPNAME (*name*) —————►



### Notes:

- 1 Full-function database name
- 2 Fast Path DEDB name

### Keywords

#### GRPNAME (*name*)

Required keyword you use to identify the DBDSGRP to be changed. A record with that name must already exist.

**ADDDB**(*dbname* | *areaname*) | **DELDDB**(*dbname* | *areaname*) | **ADDMEM**(*dbname*,*ddname* | *areaname*) | **DELMEM**(*dbname*,*ddname* | *areaname*) | **ADDRECOV**(*dbname*,*areaname*) | **DELRECOV**(*dbname*,*areaname*)

Mutually exclusive, optional keywords you use to identify the member or members to be added to or deleted from the group. A member can belong to any number of DB groups or DBDS groups but can belong only to one recovery group.

**ADDDB**(*dbname*)

Identifies one or more database or area names to be added to a DB group. The name specified can be a full-function database name, a Fast Path DEDB name, or an area name.

**DELDDB**(*dbname*)

Identifies one or more database or area names to be deleted from a DB group. The name specified can be a full-function database name, a Fast Path DEDB name, or an area name.

**ADDMEM**(*dbname*,*ddname*)

Identifies one or more members to be added to a DBDS group, where *dbname* is the database name and *ddname* is the DD statement name or the area name.

**DELMEM**(*dbname*,*ddname*)

Identifies one or more members to be deleted from a DBDS group, where *dbname* is the database name and *ddname* is the DD statement name or the area name.

**ADDRECOV**(*dbname*,*areaname*)

Identifies one or more databases or DEDB areas to be added to a recovery group, where *dbname* is the database (or DEDB) name and *areaname* is the DD statement name or the area name.

DEDB areas can be a part of a recovery group, but DEDB databases cannot. HALDB databases can be a part of a recovery group, but individual HALDB partitions cannot.

If you add a DEDB area to the recovery group, you must specify both the DEDB area and the DEDB database that the area belongs to. That is, to add a DEDB area to the recovery group, you must specify both *dbname* and *areaname*. You cannot specify only *areaname*.

If you add a full-function database to the recovery group, you do not need to specify *areaname* because *areaname* applies only to Fast Path databases.

If the group specified is not a recovery group, the command fails with message DSP0077I.

A database or area can belong to only one recovery group. If any of the members specified by ADDRECOV already belong to another recovery group, the command fails with message DSP0078I.

**DELRECOV**(*dbname*,*areaname*)

Identifies one or more DBs or DEDB areas to be deleted from a recovery group, where *dbname* is the database (or DEDB) name and *areaname* is the DD statement name or the area name.

If a DEDB area is to be deleted from the recovery group, both *dbname* and *areaname* must be specified. If the group specified is not a recovery group, the command fails with message DSP0077I.

If you delete all the members of a group, the record of that group is deleted from the RECON data set.

**Restrictions for HALDB databases:** For HALDB databases, *dbname* specifies the name of a HALDB partition or the HALDB master. When specifying HALDB database names, use the CHANGE.DBDSGRP command only as defined in the following table:

Table 4. Specifying HALDB master or partition database names for the CHANGE.DBDSGRP command

CHANGE.DBDSGRP	<i>dbname</i> = HALDB Master	<i>dbname</i> = Partition
ADDDB	Yes	Yes
DELDB	Yes	Yes
ADDMEM	No	Yes
DELMEM	No	Yes
ADDRECOV	Yes	No
DELRECOV	Yes	No

## Example of changing a group of DBDSs

In this example, a group of DBDSs is changed.

```
//CHGDBG   JOB
:
//SYSIN    DD *
CHANGE.DBDSGRP GRPNAME(GRP1) -
               ADDMEM((DB1,DD1),(DB2,DD2))
/*
```

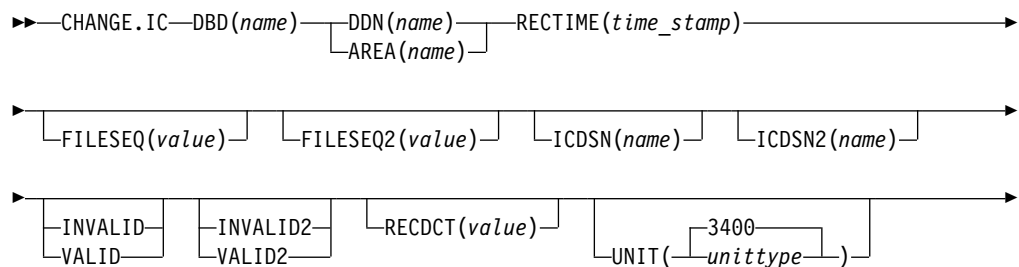
## CHANGE.IC command

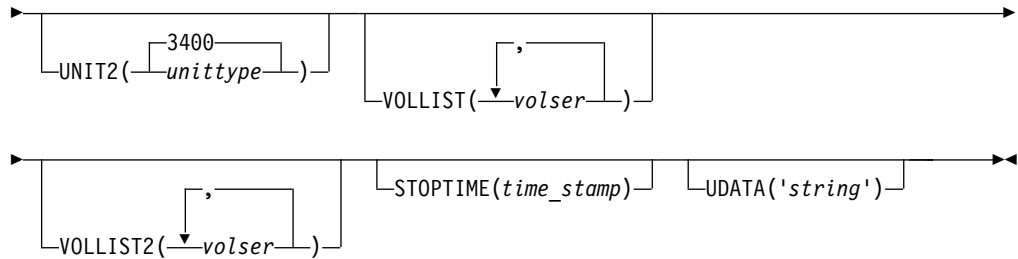
Use a CHANGE.IC command to modify information contained in an image copy record in the RECON data set.

Subsections:

- “Syntax”
- “Keywords” on page 98
- “Examples” on page 100

### Syntax





## Keywords

### **DBD**(*name*)

Required keyword you use to identify the database name of the DBDS whose image copy record is to be modified.

**Restrictions for HALDB databases:** For HALDB databases, *dbname* specifies the name of a HALDB partition.

### **DDN**(*name*) | **AREA**(*name*)

Mutually exclusive, required keywords you use to identify the name of the DBDS or DEDB area to which the image copy record being modified is related.

### **RECTIME**(*time\_stamp*)

Required keyword you use to identify the specific image copy data set record to be changed.

Use the Run time marked with an asterisk (\*) from the listing of the IMAGE record. The time stamp must be in standard form.

### **FILESEQ**(*value*)

Optional keyword you use to change the file sequence number in the record of the identified image copy data set.

### **FILESEQ2**(*value*)

Optional keyword you use to change or add the file-sequence number in the record of the identified duplicate image copy data set.

### **ICDSN**(*name*)

Optional keyword you use to change the data set name of the identified image copy data set.

### **ICDSN2**(*name*)

Optional keyword you use to change or add the data set name of the identified duplicate image copy data set in an image copy record.

To change the name of the duplicate image copy data set, a record of the first image copy data set must exist in the RECON data set.

### **INVALID** | **VALID**

Mutually exclusive, optional keywords that you use to prevent or permit the use of an image copy data set as input to a subsequent run of the Database Recovery utility (DFSURDB0).

#### **INVALID**

Prevents the use of the specified image copy data set as input to a subsequent run of the Database Recovery utility. If the invalidated image copy data set is reused, it is automatically marked as valid.

#### **VALID**

Permits the use of a previously invalidated image copy data set as input to a subsequent run of the Database Recovery utility.

The Database Recovery utility expects this image copy data set as input unless it is marked as INVALID, in which case the utility expects a duplicate image copy data set as input.

#### **INVALID2 | VALID2**

Mutually exclusive, optional keywords that you use to prevent or permit the use of a duplicate image copy data set as input to a subsequent run of the Database Recovery utility (DFSURDB0).

##### **INVALID2**

Prevents the use of the specified, duplicate image copy data set as input to a subsequent run of the Database Recovery utility. If the invalidated, duplicate image copy data set is subsequently reused, it is automatically marked as valid.

##### **VALID2**

Permits the use of a previously invalidated, duplicate image copy data set as input to a subsequent run of the Database Recovery utility.

If both INVALID2 and VALID2 are specified, the last one specified is used.

#### **RECDCT(*value*)**

Optional keyword you use to change the count of the records in the corresponding image copy data set in the specified image copy record. CHANGE.IC *value* must be a decimal number up to 2 147 483 647.

#### **UNIT(3400 | *unittype*)**

Optional keyword you use to change the unit type that is recorded in the specified image copy record. The unit type can be up to 8 alphanumeric characters.

#### **UNIT2(3400 | *unittype*)**

Optional keyword you use to change the unit type that is recorded in the specified duplicate image copy record. The unit type can be up to 8 alphanumeric characters.

#### **VOLLIST(*volser*)**

Optional keyword you use to change, in the image copy record, the volume serial numbers of the volumes on which the identified image copy data set resides.

#### **VOLLIST2(*volser*)**

Optional keyword you use to change or add, in the image copy record, the volume serial numbers of the volumes on which the identified duplicate image copy data set resides.

#### **STOPTIME(*time\_stamp*)**

Optional keyword you use to specify the time when an image copy has completed. The time stamp must be in standard form and cannot be less than the image copy start time. If this is an HSSP CIC that is in progress, specifying a valid stop time terminates the HSSP CIC and resets the in-progress indicators in the IC record and the DBDS record.

#### **UDATA('string')**

Optional keyword you use to specify up to 80 bytes of information about the identified, standard image copy data set. You can use the variable field of this keyword to describe how the standard image copy data set was created. The *string* value must be enclosed in single quotation marks if blanks or any other special characters are included.

## Examples

### *Example 1: Changing an image copy record*

In this example, information in an image copy record that is identified by the DBD, DDN, and RECTIME keywords is to be changed in the RECON data set. The new data set names of both image copy data sets (specified in the ICDSN and ICDSN2 keywords) follow the default naming convention. The volume serial numbers on which the image copy data sets reside are also to be changed as specified in the VOLLIST and VOLLIST2 keywords.

```
//CHGIC   JOB
:
//SYSIN   DD   *
CHANGE.IC  DBD(DBDKSDS1) DDN(DDNKSDS1) -
           ICDSN(IMS.DBDKSDS1.DDNKSDS1.IC.ICDSN02) -
           ICDSN2(IMS.DBDKSDS1.DDNKSDS1.IC2.ICDSN02) -
           VOLLIST(ICVOL1,ICVOL2,ICVOL3) FILESEQ2(2) -
           VOLLIST2(ICVOL4) RECTIME(07092131414323456)
/*
```

### *Example 2: Changing the user data in an image copy record*

In this example, information in an image copy record that is identified by the DBD, DDN, and RECTIME keywords is to be changed in the RECON data set. The changed user data is included in the UDATA parameter.

```
//CHGIC   JOB
:
//SYSIN   DD   *
CHANGE.IC  DBD(DBDKSDS1) DDN(DDNKSDS1) -
           RECTIME(09152104355891200) -
           UDATA('RECOVERY POINT FOR ALL PARTITIONS TAKEN ON IMS12 EACH MONTH')
/*
```

#### **Related reference:**

“INIT.DBDS command” on page 315

“DBRC time stamps” on page 52

---

## CHANGE.PART command

Use a CHANGE.PART command to change attributes of a HALDB partition.

The changes apply to all the DBDSs of the partition. Some attributes such as skeletal JCL member names can be changed for a single DBDS of a partition by a CHANGE.DBDS command.

Changing the following fields requires the partition to be initialized before it can be used:

- DSN prefix (DSNPREFIX)
- Randomizing module name (RANDOMZR)
- Relative block number (HIBLOCK)
- Number of root anchor points (ANCHOR)
- Bytes (BYTES)
- Partition selection string or partition high key (KEYSTRNG)
- Block sizes (BLOCKSIZE)



**Requirement:** If KEYSTRNG is being set or the partition is being enabled, the IMS must reference the database definition when processing the CHANGE.PART command. If the IMS system manages ACBs, the definitions are retrieved from the IMS catalog and the name of the IMS catalog must be defined in the RECON header or the CHANGE.PART command itself. If the IMS system uses DBD, PSB, and ACB libraries, the IMS DBDLIB data set must be identified in the job stream for the Database Recovery Control utility (DSPURX00) with a ddname of IMS.

Use the DISABLE keyword to temporarily remove a partition from active use. Use the ENABLE keyword to return the partition to active use. You would normally DISABLE a partition prior to deleting it, but do not want to remove all the recovery related information that DBRC maintains until the changes have been tested. A partition marked as DISABLE can be deleted or made active again by marking it ENABLE. A partition that is changed from DISABLE to ENABLE must be recovered before it can be used.

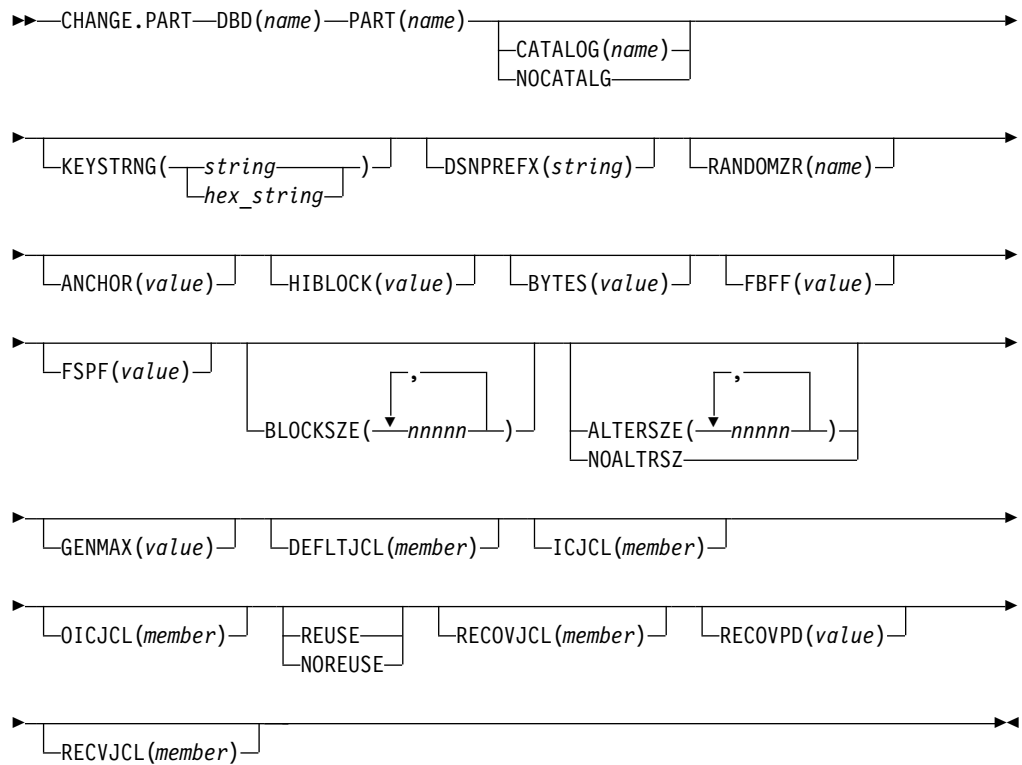
**Restriction:** No other keywords are allowed on a CHANGE.PART command if either DISABLE or ENABLE is specified.

Subsections:

- "Syntax"
- "Keywords" on page 102
- "Examples of changing a partition" on page 107

## Syntax

Use one of the following diagrams for the CHANGE.PART command.



Or:

►► CHANGE.PART—DBD(*name*)—PART(*name*)—DISABLE  
ENABLE—►►

## Keywords

### DBD(*name*)

Required keyword used to identify the HALDB database.

### PART(*name*)

Required keyword you use to identify the partition.

### CATALOG(*name*) | NOCATALG

Mutually exclusive, optional parameters that you use to indicate whether IMS references the IMS catalog or the DBDLIB during the processing of the CHANGE.PART command.

If these parameters are omitted, the value of CATALOG= in the RECON header determines whether IMS uses the IMS catalog or DBDLIB during the processing of this command.

#### CATALOG(*name*)

Specifies the IMS catalog that IMS references for the processing of the CHANGE.PART command.

Specify *name* as an eight-character alphanumeric string that matches the name of an IMS catalog database that is registered in the RECON data set as a HALDB database. Any IMS catalog name that is less than eight-characters is padded with blanks.

The IMS catalog name is validated during the CHANGE.PART command. If the catalog does not exist, is not defined as a HALDB database, or is unavailable for use, the command fails.

#### NOCATALG

Specifies that the CHANGE.PART command uses the DBD library instead of the IMS catalog.

### KEYSTRNG(*string* | *hex\_string*)

Optional keyword used to change a HALDB partition high key value or a selection string for use by a partition selection exit. Specified as a character value up to 256 characters long or a hexadecimal value up to 512 characters long. Character values must be alphanumeric (with no embedded blanks or commas unless the string is enclosed by single quotation marks). Unless enclosed by single quotation marks, the character string will be folded to uppercase. Hexadecimal values must be enclosed by single quotation marks and preceded by the letter X, for example: KEYSTRNG('X'D7C1D9E3D2C5E8').

If no partition selection routine is specified for the HALDB, KEYSTRNG defines a partition high key value which cannot be longer than the root key length. If the high key length is less than the defined root key length, the high key value is padded with hex 'FF's up to the defined root key length. The partition high key values must be unique for each partition within a HALDB database.

If a partition selection routine is specified for the HALDB, KEYSTRNG defines a Partition Selection String which is passed to the partition selection routine. The Partition Selection String may be up to 256 bytes long and consist of simple character information. If it contains non-printable characters, it must be identified using hex notation. A hex character string is enclosed by single quotation marks and prefixed with an X.

The command fails if the partition is in use, or any other partition affected by a change to the high key value is in use. The partition and all other partitions affected by a change to the high key value are marked as needing partition initialization (PINIT is set on) and cannot be used until initialized.

**Requirement:** When you issue a CHANGE.PART KEYSTRNG command, IMS must reference the database definition of the partition. If the IMS system manages ACBs, the definitions are retrieved from the IMS catalog and the name of the IMS catalog must be defined in the RECON header or the CHANGE.PART command itself. If the IMS system uses DBD, PSB, and ACB libraries, the IMS DBDLIB data set must be identified in the job stream for the Database Recovery Control utility (DSPURX00) with a ddname of IMS.

**DSNPREFX(*string*)**

Optional keyword used to change the data set name prefix for the partition data sets contained in a HALDB database. Specified as a value, up to 37 characters long, that is a valid JCL data set name.

**RANDOMZR(*name*)**

Optional keyword used to change the name of the randomizing module for HALDB PHDAM databases only. A randomizing module controls root segment placement in, or retrieval from, the PHDAM HALDB.

**ANCHOR(*value*)**

Optional keyword used to change the number of RAPs (root anchor points) desired in each control interval or block in the root addressable area of a PHDAM HALDB. The value specified must be between 1 and 255. Typical values are from 1 to 5.

**HIBLOCK(*value*)**

Optional keyword used to change the maximum relative block number value that the user wants to enable a randomizing module to produce for this HALDB database. This value determines the number of control intervals or blocks in the root addressable area of an PHDAM HALDB. The value may range between 1 and 16,777,215 ( $2^{24} - 1$ ). This keyword is valid only for a PHDAM HALDB.

**BYTES(*value*)**

Optional keyword used to change the maximum number of bytes of a HALDB record that can be stored into the root addressable area in a series of inserts unbroken by a call to another HALDB record. The value has a range of 0 to 16,777,215 ( $2^{24} - 1$ ). This keyword is valid for PHDAM HALDB databases only.

A value of 0 (zero) means that all bytes are addressable. Setting BYTES to 0 is equivalent to omitting BYTES on the DBD definition

**FBFF(*value*)**

Optional keyword used to change the free block frequency factor (fbff) which specifies that every *n*th control interval or block in this data set group is left as free space during database load or reorganization (where  $FBFF=n$ ). The range of FBFF includes all integer values from 0 to 100 except 1.

**FSPF(*value*)**

Optional keyword used to change the free space percentage factor. It specifies the minimum percentage of each control interval or block that is to be left as free space in this data set group. value may be any number between 0 and 99.

**BLOCKSZE(*nnnn*)**

Optional keyword used to change the block size for OSAM data sets. Specify

an even numeric value no greater than 32766. The block size value is used by OSAM only. You may specify up to 10 values, one for each data set group defined in the DBD. Omitted values remain unchanged.

#### **ALTERSIZE(*nnnnn*) | NOALTRSZ**

Mutually exclusive, optional keywords that either set or clear new OSAM block sizes or VSAM control interval (CI) sizes for the output partition data sets of a HALDB alter operation.

After an alter operation is started on a HALDB database, the block or CI sizes of the partition data sets cannot be changed or cleared until after the alter operation is complete for the database and online change is performed.

#### **ALTERSIZE(*nnnnn*)**

For the HALDB alter function, specifies new OSAM block sizes or VSAM CI sizes for the output partition data sets of an alter operation.

#### **Requirements:**

- The new sizes must be stored in the RECON data set before the INITIATE OLREORG OPTION(ALTER) command is issued to start the alter operation.
- The INITIATE OLREORG command fails if the ALTER option is specified, but no changes to the database structure are detected in the input database member. Consequently, you cannot change the block or CI sizes by using the ALTER option unless you are also making a structural change to the database.

Specify even numeric values no greater than 32766. You may specify up to 10 values, one for each data set group defined in the DBD. Omitted values remain unchanged.

The values must be specified as positional, comma-separated values. The value in the first position applies to the first data set group. The value in the second position applies to the second data set group, and so on.

For example, the following ALTERSIZE keyword sets a new block or CI size for the third data set group, but leaves the sizes unchanged for the first and second data set groups, as well as for the fourth through tenth data set groups, if they exist: ALTERSIZE(,,4096).

The ALTERSIZE values are stored in the partition record in the RECON data set only until the alter operation is complete and online change is performed. After online change is complete, new OSAM block sizes are saved in the OSAM BLOCK SIZE field of the partition record. VSAM CI sizes are not saved in the partition record.

If ALTERSIZE values have already been set, you can change the values by reissuing the CHANGE.PART command and specifying new ALTERSIZE values for the data sets that need to change.

To back out a change so that an output data set will have the same block or CI size as its corresponding input data set, specify the block or CI size of the input data set on the ALTERSIZE keyword and reissue the command.

For OSAM data sets, after you back out the ALTERSIZE value, the value IMS displays for the data set in the ALTER BLOCK SIZE field of the partition record is 0, which indicates that the HALDB alter function will not change the block size.

For VSAM data sets, after you back out the ALTERSIZE value, the value that IMS displays for the data set in the ALTER BLOCK SIZE field of the

partition record is the value that you entered to back out the ALTERSZE value. IMS does not validate that this value is the same as the CI size of the input data set. If the output data sets do not exist, IMS creates the output data sets automatically with the CI sizes that are set in the ALTER BLOCK SIZE field, even if the sizes are different than the CI sizes of the input data sets. If output data sets exist and their CI sizes do not match the ALTERSZE values specified for them, the alter of the partition fails, in which case the discrepancy must be corrected and the alter of the partition resumed after all other partitions complete alter processing.

To view the ALTERSZE values for a partition, use the LIST.DB command. If the block or CI size of a data set is not changing, its ALTERSZE value is 0. A 0 indicates that the block or CI size of the output data set will be the same as that of the input data set. If none of the block or CI sizes of the data sets in a partition are changing, the ALTER SIZE output field is not displayed.

#### **NOALTRSZ**

For the HALDB alter function, clears all ALTERSZE values from a partition record in the RECON data set.

After ALTERSZE values are cleared, if new ALTERSZE values are not set before an alter operation starts, the output data sets are created with the same block or CI sizes as the input data sets.

After all of the ALTERSZE values are cleared by the NOALTRSZ keyword, the ALTER SIZE output field is no longer displayed.

#### **GENMAX(*value*)**

Optional keyword used to change the maximum number of image copies that DBRC is to maintain for the partition DBDSs. If you identify a partition DBDS with the NOREUSE keyword, the oldest image copy beyond the recovery period is deleted when the number of image copies exceeds the GENMAX value. If you identify it with the REUSE keyword, the oldest image copy beyond the recovery period is reused. Specified as a numeric value from 2 to 255. All partition DBDSs will be changed to use this GENMAX value. The CHANGE.DBDS command can be used to change this for individual partition DBDSs.

#### **DEFLTJCL(*member*)**

Optional keyword used to change the implicit skeletal JCL default member for a HALDB Partition DBDS. The specified member is used by the GENJCL.IC, GENJCL.OIC, and GENJCL.RECOV commands in order to resolve keywords you have defined. All partition DBDSs will be changed to use this DEFLTJCL member. The CHANGE.DBDS command can be used to change this for individual partition DBDSs.

#### **ICJCL(*member*)**

Optional keyword used to change the name of a member of a partitioned data set that contains skeletal JCL. When you issue a GENJCL.IC command, DBRC uses this member to generate the JCL to run the Database Image Copy utility (or the Database Image Copy 2 utility) for the partition DBDS specified on the GENJCL command. All partition DBDSs will be changed to use this ICJCL member. The CHANGE.DBDS command can be used to change this for individual partition DBDSs.

#### **NOREUSE | REUSE**

Mutually exclusive, optional keywords used to change whether the supported image copy utilities are to reuse previously used image copy data sets. REUSE enables the GENJCL.IC command or the GENJCL.OIC command to generate a

job that causes the supported image copy utilities to reuse the oldest image copy data set (for the DBDS specified on the GENJCL command) when the GENMAX value for it is exceeded. REUSE requires that you create empty image copy data sets for future use by the supported image copy utilities. In addition, you must use an INIT.IC command to record their existence in the RECON data set. The NOREUSE keyword prohibits such actions. All partition DBDSs will be changed to use the keyword specified. The CHANGE.DBDS command can be used to change this for individual partition DBDSs.

**OICJCL (member)**

Optional keyword used to change the name of a member of a partitioned data set that contains skeletal JCL. When you issue a GENJCL.OIC command, DBRC uses this member to generate the JCL to run the Online Image Copy utility for the partition DBDS specified on the GENJCL command. Appropriate partition DBDSs will be changed to use this OICJCL member. The CHANGE.DBDS command can be used to change this for individual partition DBDSs.

**RECOVJCL (member)**

Optional keyword used to change the name of a member of a partitioned data set that contains skeletal JCL. When you issue the GENJCL.RECOV command, DBRC uses this member to generate the JCL to run the Database Recovery utility for the partition DBDS specified on the GENJCL command. All partition DBDSs will be changed to use this RECOVJCL member. The CHANGE.DBDS command can be used to change this for individual partition DBDSs.

**RECOVPD (value)**

Optional keyword used to change the recovery period for a specified partition DBDS. Specify a numeric value from 0 to 999 that represents the number of days you want DBRC to maintain sufficient recovery-generation information in the RECON data set. All partition DBDSs will be changed to use this RECOVPD value. The CHANGE.DBDS command can be used to change this for individual partition DBDSs.

**RECVJCL (member)**

Optional keyword used to change the name of the skeletal JCL member to be used by the GENJCL.RECEIVE command. All partition DBDSs will be changed to use this RECVJCL member. The CHANGE.DBDS command can be used to change this for individual partition DBDSs.

RECVJCL can be specified for both RSR-covered and non-covered HALDB DBDSs.

**DISABLE | ENABLE**

Mutually exclusive, required keywords used to change the state of the partition.

DISABLE marks the partition as unavailable for use by IMS and most utilities. In most situations, a partition marked DISABLE will not be known by IMS (it is treated as if it is not registered to DBRC). DBRC LIST commands will list information about partitions marked DISABLE and the HALDB Partition Definition utility (PDU) displays partitions which are marked DISABLE. The partition still counts towards the maximum number of partitions which may be defined for a HALDB.

Although a partition that is marked DISABLE is not removed from DBRC groups (a CAGROUP, DBDSGRP, DBGROUP and RECOVGRP), it is generally not processed as part of the group when the group is used in a DBRC command. This also applies to implied groups used in a command. The one exception to this is the GENJCL.CA command and the execution of the IMS

Database Change Accumulation utility. Changes will be accumulated for partitions that are members of a CA Group, even when marked DISABLE. GENJCL.IC and GENJCL.RECOV commands fail for partitions that are marked DISABLE. If the commands specify a group of any kind, partitions that are marked DISABLE are skipped, that is, JCL is not generated and no message is issued.

ENABLE makes a partition which had been made DISABLE available for use by IMS again. The partition is set to a Recovery Needed status and must be recovered before being used by IMS. Setting a partition to ENABLE has the same effect as adding a new partition to the HALDB. If the HALDB uses a partition selection exit, all the other partitions are set to a Partition Initialization Needed status. If the HALDB uses high key values, the partition with the next high key value is set to a Partition Initialization Needed status.

**Requirement:** When you issue a CHANGE.PART ENABLE command, IMS must reference the database definition of the partition. If the IMS system manages ACBs, the definitions are retrieved from the IMS catalog and the name of the IMS catalog must be defined in the RECON header or the CHANGE.PART command itself. If the IMS system uses DBD, PSB, and ACB libraries, the IMS DBDLIB data set must be identified in the job stream for the Database Recovery Control utility (DSPURX00) with a ddname of IMS.

## Examples of changing a partition

This example specifies changes to be made to the partition that is identified by the DBD and NAME keywords. The high key for the partition is changed, as well as the name of the randomizer routine. The maximum number of images that DBRC maintains is 12. In addition, the image copy data sets for the specified DBDS are kept in the RECON data set for at least 15 days. The partition and the next one will be marked as needing partition initialization as a result of the change.

```
//CHGPART JOB
.
.
.
//IMS      DD   DSN=IMS.DBDLIB,DISP=SHR
...
//SYSIN DD *
      CHANGE.PART DBD(DB3) PART(PART3) KEYSTRNG(X'D7C1D9E3D2C5E8') -
                                RANDOMZR(RNDNAME2) GENMAX(12) RECOVPD(15)
/*
```

The following example changes the partition identified by the DBD and PART keywords to a DISABLE status.

```
//CHGPART JOB
...
//SYSIN DD *
CHANGE.PART DBD(DB3) PART(PART3) DISABLE
/*
```

## Example using the DBDLIB instead of the default catalog name

```
//CHANGEPART JOB
.
.
.
//IMS      DD   DSN=IMS.DBDLIB,DISP=SHR
//SYSIN    DD   *
      CHANGE.PART DBD(DBHDOK01) PART(PDHDOKE) KEYSTRNG('ABCDEFGHijkl--
```

```
MNOPQRSTUVWXYZ0123456789 ABCDEFGHIJKLMNOPQRSTUVWXYZ0123456789ABCDEFGHIJ-
KLMNOPQRSTUVWXYZ0123456789- ABCD--
```

```
EFGHIJKLMNOPQRSTUVWXYZ0123456789') -
  DSNPREFIX(TESTSYS1.PROJECT) -
BLOCKSIZE(32000,,4000) -
NOCATALOG
/*
```

### Example using the catalog name GREGCD00 instead of the default catalog name

```
//CHANGEPART JOB
.
.
.
//SYSIN DD *
  CHANGE.PART DBD(DBHDOK01) PART(PDHDOKE) KEYSTRNG('ABCDEFGHIJKL--
MNOPQRSTUVWXYZ0123456789 ABCDEFGHIJKLMNOPQRSTUVWXYZ0123456789ABCDEFGHIJ-
KLMNOPQRSTUVWXYZ0123456789- ABCD--

EFGHIJKLMNOPQRSTUVWXYZ0123456789') -
  DSNPREFIX(TESTSYS1.PROJECT) -
BLOCKSIZE(32000,,4000) -
CATALOG(GREGCD00)
/*
```

#### Related reference:

[➡ HALDB Partition Data Set Initialization utility \(DFSUPNT0\) \(Database Utilities\)](#)

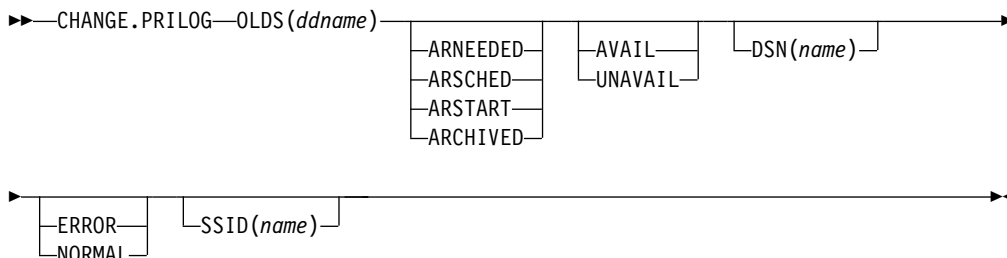
## CHANGE.PRILOG OLDS command

Use the CHANGE.PRILOG OLDS command to change information about a primary online data set (PRIOLDS) in the RECON data set.

Subsections:

- “Syntax”
- “Keywords” on page 109
- “Example of renaming an OLDS” on page 110

### Syntax



**Attention:** For this command you must specify the OLDS keyword. If OLDS is not specified, DBRC will default to processing an RLDS, which will not provide the desired results.



## Keywords

### **OLDS**(*ddname*)

Required keyword you use to specify the OLDS for which the RECON record is to be changed.

### **ARNEEDED | ARSCHED | ARSTART | ARCHIVED**

Mutually exclusive, optional keywords you use to change the archive status of an OLDS. You cannot change the archive status after an OLDS has been archived.

#### **ARNEEDED**

Indicates that the OLDS was closed by IMS and needs to be archived.

#### **ARSCHED**

Indicates that the GENJCL.ARCHIVE command has been issued for the OLDS.

#### **ARSTART**

Indicates that the Log Archive utility is currently archiving the OLDS.

#### **ARCHIVED**

Indicates that the OLDS has been archived and is available for reuse.

### **AVAIL | UNAVAIL**

Mutually exclusive, optional keywords you use to change the PRIOLDS to indicate its availability.

#### **AVAIL**

Indicates that the OLDS contains valid data and can be used as input to the Log Archive utility.

#### **UNAVAIL**

Indicates that the OLDS contains invalid data and should not be used as input to the Log Archive utility.

### **DSN**(*name*)

Optional keyword you use to change the name of a primary OLDS. *name* can be up to 44 characters long.

### **ERROR | NORMAL**

Mutually exclusive, optional keywords you use to change the specified PRIOLDS to indicate whether it contains errors.

#### **ERROR**

Changes the RECON record to indicate that a specified OLDS contains errors, so IMS is unable to close the OLDS properly. Close the OLDS before it is used as input to the Log Archive utility.

If you use dual logging, the subsystem uses the data in the error-free OLDS (in other words, the SECOLDS) to close the OLDS marked in error.

If you do not use dual logging, the subsystem uses the next-OLDS to close the OLDS that is marked in error.

#### **NORMAL**

Changes the record of the PRIOLDS, which was previously marked as containing errors, to indicate that the data set is now available for use as input to any log utility. When you specify NORMAL for an OLDS, the record immediately indicates that neither the secondary OLDS nor the next-OLDS is needed in order to close the specified OLDS.

### **SSID**(*name*)

Optional keyword you use to specify the name of the IMS subsystem that

created the OLDS for which the RECON record is to be changed. The SSID is an eight—character string consisting of any alphanumeric characters that represent a valid IMS subsystem identification name.

If you do not specify SSID, DBRC uses the default subsystem identifier in the RECON header record. Use the INIT.RECON or CHANGE.RECON command to set the default subsystem identifier in the RECON header record. If you have not specified a default in the RECON header record, you must specify SSID.

## Example of renaming an OLDS

In this example, the IMS online subsystem, IMSA, that creates the PRIOLDS, renames an OLDS.

```
//CHGPRILG JOB
:
//SYSIN DD *
CHANGE.PRILOG OLDS(DFSOLP02) -
              DSN(IMS.NEWLOG) SSID(IMSA)
/*
```

---

## CHANGE.PRILOG RLDS command

Use the CHANGE.PRILOG RLDS command to change information about a primary RLDS (or an SLDS that a batch subsystem created) in the RECON data set.

Use the NOTIFY.PRILOG RLDS command to add a PRILOG record or to add data set entries to an existing PRILOG record.

With the exception of the GSG name and the gap information, all the information you can change resides in a data set entry of the PRILOG record. Each CHANGE.PRILOG command you issue changes only one data set entry. If the log has multiple data sets, you must use the DSSTART keyword to identify the data set entry to be changed. (Note that if you are only changing the GSG or the gap information, you must still specify DSSTART if the log has more than one data set.)

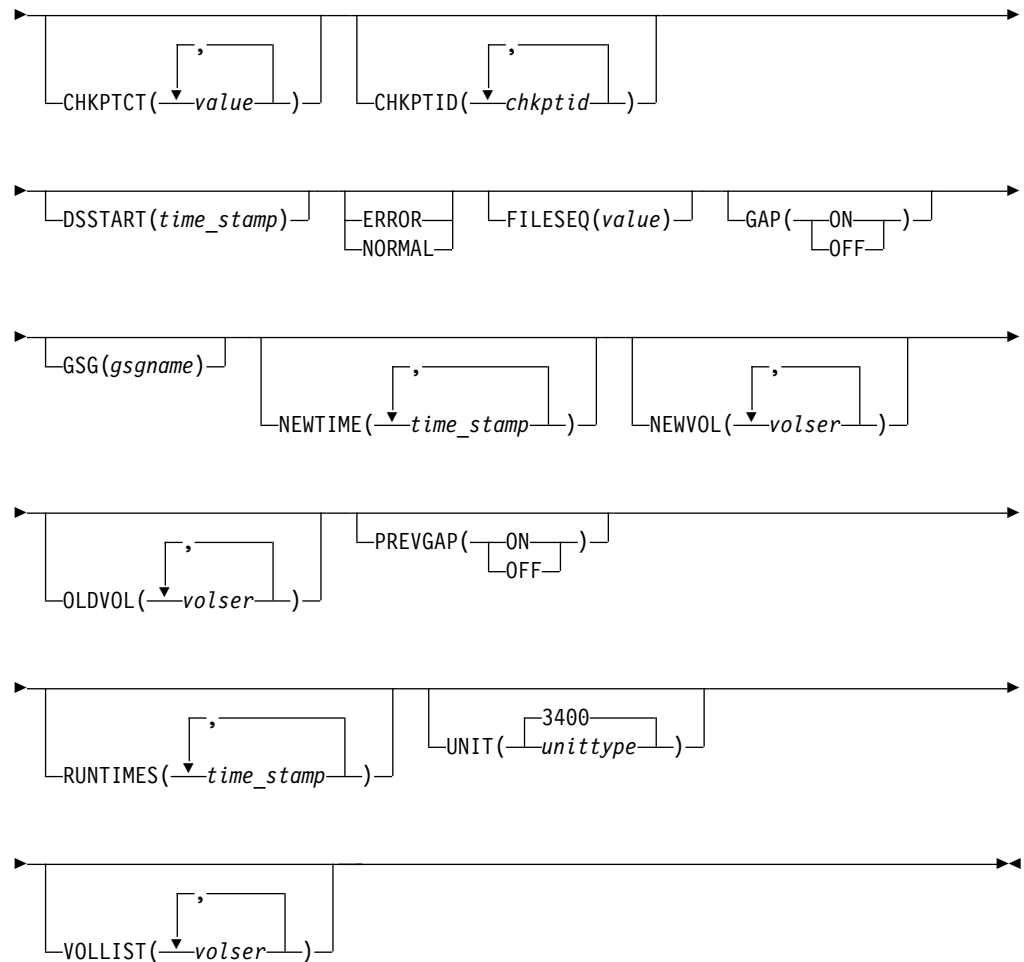
If the PRILOG record represents log data which was received by an RSR tracking site from an active IMS subsystem, none of the keywords FILESEQ, NEWTIME, NEWVOL, OLDVOL, RUNTIMES, CHKPTID, UNIT, or VOLLIST can be specified. Log data sets received at a tracking site must be cataloged.

Subsections:

- “Syntax”
- “Keywords” on page 111
- “Examples of using the CHANGE.PRILOG RLDS command” on page 114

### Syntax

►► CHANGE.PRILOG RLDS STARTIME(*time\_stamp*) DSN(*name*) ►



## Keywords

### RLDS

Optional keyword you use to specify that a PRILOG record is to be changed.

### STARTIME(*time\_stamp*)

Required keyword you use to specify the starting time stamp of the PRILOG record that is to be changed. The time stamp must be in standard form.

### DSN(*name*)

Optional keyword you use to change data set name. *name* can be up to 44 characters.

### CHKPTCT(*value*)

Optional keyword you use to change the number of checkpoints completed on each volume of the data set. Specify a value for each volume designated in the OLDVOL or NEWVOL keywords. If OLDVOL is specified without NEWVOL, the number of values for CHKPTCT equals the number of volume serial numbers that appear with OLDVOL. If NEWVOL is specified, the number of values for CHKPTCT equals the number of volume serial numbers that appear in NEWVOL.

The values for CHKPTCT are:

**0** No checkpoints on the volume

- 1 A single checkpoint on the volume
- 2 More than one checkpoint on the volume

**CHKPTID**(*chkptid*)

Optional keyword you use to change the oldest checkpoint ID for any active PST on each volume of the data set. Specify one checkpoint ID for each volume listed in OLDVOL or NEWVOL. If OLDVOL is specified without NEWVOL, the number of checkpoint IDs equals the number of volumes listed in OLDVOL. If NEWVOL is specified, the number of checkpoint IDs equals the number of volumes listed in NEWVOL.

The checkpoint ID must be in standard form for a time stamp. You can specify a zero time value.

**DSSTART**(*time\_stamp*)

Optional keyword you use to specify the starting time of the data set entry to be changed. The DSSTART keyword is required if the PRILOG has multiple data set entries; it is optional if the PRILOG has only one data set entry. The time stamp must be in standard form.

**ERROR | NORMAL**

Mutually exclusive, optional keywords you use to change the data set entry to indicate whether it contains errors.

**ERROR**

Changes the data set to indicate that it contains errors and should not be used as input to any DBRC-controlled run of a recovery utility.

**NORMAL**

Changes a data set which was previously marked as containing errors to indicate that it is now available for use as input to any recovery utility.

DBRC selects the required log data sets from the PRILOG (or SECLOG) records. These can contain RLDS entries, SLDS entries, or both. If you issue a CHANGE.PRILOG RLDS ERROR command, DBRC automatically uses the corresponding SECLOG entry, if one exists. If a SECLOG entry does not exist, or if it is marked in error, the GENJCL commands that require log data for this time frame fail.

**FILESEQ**(*value*)

Optional keyword you use to specify the file sequence number on the volume. Specify this keyword only if you specify a VOLLIST keyword. The value you substitute in the variable field must be a decimal number from 1 to 9999.

**GAP**(**ON | OFF**)

Optional keyword you use to set (ON) or reset (OFF) the GAP flag in a tracking PRILOG record.

**GSG**(*gsname*)

Optional keyword you use to change the global service group (GSG) name in the PRILOG record.

**NEWTIME**(*time\_stamp*)

Optional keyword you use to change the stop times of any but the last volume of the data set. If you specify NEWTIME, you must also specify OLDVOL and NEWVOL. The following keyword sets are mutually exclusive:

- NEWTIME, NEWVOL, OLDVOL
- RUNTIMES, VOLLIST

If you specify NEWTIME, you must specify one less time stamp than the number of volume serial numbers specified in NEWVOL. This is because the

stop time of the last volume specified in NEWVOL cannot be changed with this command. Each time stamp is used as the volume stop time of the corresponding volume serial number specified by NEWVOL. If not specified, the stop time of the new volume is the same as the stop time of the last-specified old volume.

Each time stamp you specify must be greater than the previous time stamp. The first time stamp in NEWTIME must be greater than or equal to the stop time of the volume immediately preceding the changed volumes. Each time stamp must be in standard form.

#### **NEWVOL**(*volser*)

Optional keyword you use to change the volume serial number of one or more volumes of the data set. If you specify NEWVOL, you must also specify OLDVOL. The following keyword sets are mutually exclusive:

- NEWTIME, NEWVOL, OLDVOL
- RUNTIMES, VOLLIST

The volume serial numbers that you specify in NEWVOL replaces the corresponding volume serial numbers specified in the OLDVOL keyword. You do not need to specify the same number of volume serial numbers in NEWVOL and OLDVOL. You cannot specify a volume serial number in NEWVOL that is the same as one that already exists in the PRILOG record.

You can specify from 1 to 255 volume serial numbers.

Use the NEWTIME keyword to change the time stamps as well as the serial numbers of the volumes.

#### **OLDVOL**(*volser*)

Optional keyword you use to change the volume serial number of one or more volumes of the data set. If you specify OLDVOL, you must also specify one of the following: NEWVOL, CHKPTCT, or CHKPTID.

The volume serial numbers you specify are those of the volumes being changed. Each volume serial number specified in OLDVOL must match a volume serial number in the PRILOG record.

You can specify from 1 to 255 volume serial numbers.

#### **PREVGAP**(ON | OFF)

Optional keyword you use to set (ON) or reset (OFF) the PREV-GAP flag in a tracking PRILOG record.

#### **RUNTIMES**(*time\_stamp*)

Optional keyword you use to change the stop times of any but the last volume of the data set. This keyword is provided for compatibility with previous releases of DBRC. Use NEWTIME OLDVOL NEWVOL to change the stop times of log volumes. If you do specify RUNTIMES, you must also specify VOLLIST. The following keyword sets are mutually exclusive:

- NEWTIME, NEWVOL, OLDVOL
- RUNTIMES, VOLLIST

You can specify up to 255 time stamps on the RUNTIMES keyword. Each time stamp must be in standard form.

Each time stamp in the variable field must correspond to a volume in the variable field of the VOLLIST keyword. The variable fields of the RUNTIMES and VOLLIST keywords must each contain the same number of entries. Each time stamp in the variable field of the RUNTIMES keyword must be greater than the previous time stamp.

The first time stamp in the variable field of the RUNTIMES keyword must be greater than the time stamp specified for the STARTIME keyword. The last time stamp in the variable field of the RUNTIMES keyword must be equal to the stop time of the corresponding primary RLDS as specified in the record being changed. You cannot use this command to change the stop time of the primary RLDS.

**UNIT(3400 | *unittype*)**

Optional keyword you use to change the unit type of the device on which the data set resides. The unit type can be up to 8 alphanumeric characters long.

**VOLLIST(*volser*)**

Optional keyword you use to change the record of the volume serial numbers of the volumes that contain the data set. This keyword is provided for compatibility with previous releases of DBRC. Use the new keyword set, NEWTIME, OLDVOL, and NEWVOL to change the volume serial numbers of volumes in the data set.

If you specify the VOLLIST keyword, you must also specify the RUNTIMES keyword. See the description of the RUNTIMES keyword for an explanation of how the two keywords interact. The following keyword sets are mutually exclusive:

- NEWTIME, NEWVOL, OLDVOL
- RUNTIMES, VOLLIST

**Examples of using the CHANGE.PRILOG RLDS command**

Here are some examples of using the CHANGE.PRILOG RLDS command.

*Example of changing volume serial numbers*

In this example, some volume serial numbers are changed for a log which contains a single data set. The example PRILOG record in the RECON data set has six volumes—VOL001, VOL002, VOL003, VOL004, VOL005, and VOL006— and a start time of 07233124329923456. The serial numbers of the third and fourth volumes can be changed with the following command:

```
//CHGPRILOG JOB
:
//SYSIN DD *
CHANGE.PRILOG RLDS STARTIME(07233124329923456) -
OLDVOL(VOL003,VOL004) -
NEWVOL(VOL007,VOL008,VOL009)
/*
```

*Example of marking primary RLDS for errors*

In this example, one data set of a log is being marked as containing errors.

```
//CHGPRILOG JOB
:
//SYSIN DD *
CHANGE.PRILOG RLDS STARTIME(07054121212023456) -
DSSTART(07054121212023456) ERROR
/*
```

**Related reference:**

“NOTIFY.PRILOG command (for RLDS)” on page 383

“DBRC time stamps” on page 52

## CHANGE.PRILOG SLDS command

Use the CHANGE.PRILOG SLDS command to change information in the RECON data set about a primary SLDS for an online system.

You can use the CHANGE.PRILOG TSLDS command to change information in the RECON data set about a primary SLDS for an RSR tracking subsystem.

Use the CHANGE.PRILOG RLDS command to change information about an SLDS that a batch subsystem created, because DBRC considers such data to be an RLDS.

Use the NOTIFY.PRILOG command (for SLDS) to add a PRISLD record or to add data set entries to an existing PRISLD record.

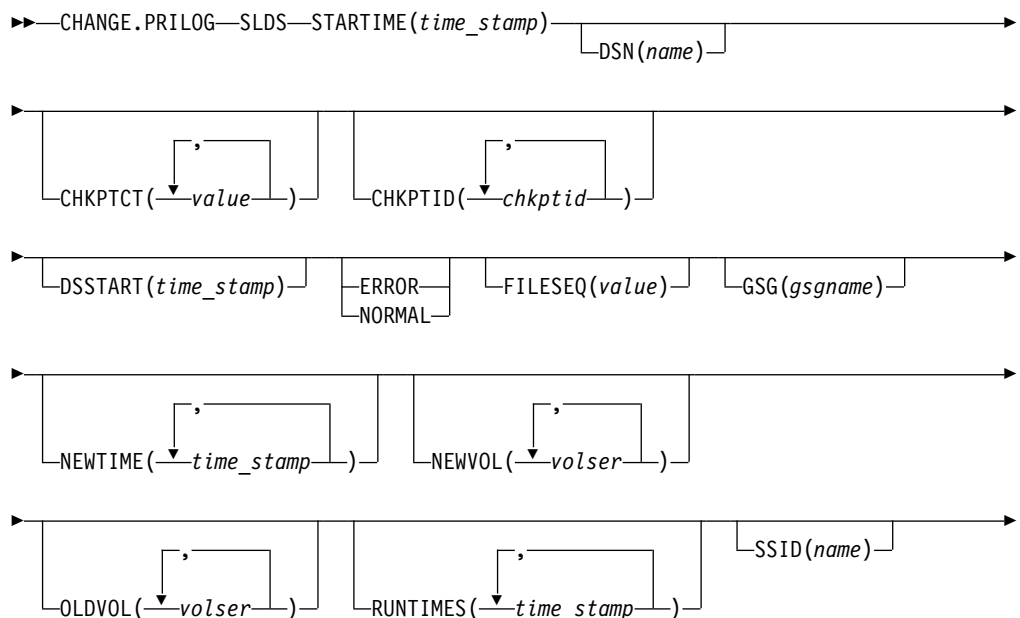
With the exception of the GSG name, all the information you can change resides in a data set entry of the PRISLD record. Each CHANGE.PRILOG command you issue changes only one data set entry. If the log has multiple data sets, you must use the DSSTART keyword to identify the data set entry to be changed. (Note that if you are only changing the GSG, you must still specify DSSTART if the log has more than one data set.)

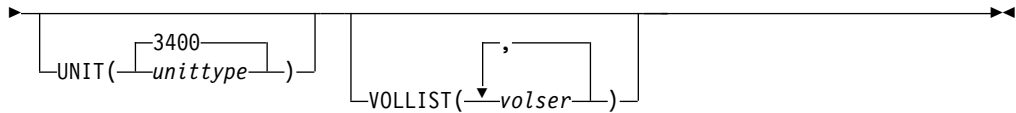
If the PRISLD record represents log data that was received by an RSR tracking site from an active IMS subsystem, none of the keywords FILESEQ, NEWTIME, NEWVOL, OLDVOL, RUNTIMES, CHKPTID, UNIT, or VOLLIST can be specified. Log data sets received at a tracking site must be cataloged.

Subsections:

- “Syntax”
- “Keywords” on page 116
- “Examples of using the CHANGE.PRILOG SLDS command” on page 119

### Syntax





**Attention:** For this command you must specify the SLDS keyword. If SLDS is not specified, DBRC will default to processing an RLDS, which will not provide the desired results.

## Keywords

The following keywords are valid for the CHANGE.PRILOG SLDS command:

### SLDS

Required keyword you use to specify that a PRISLD record is to be changed.

### STARTIME(*time\_stamp*)

Required keyword you use to specify the starting time stamp of the PRISLD record that is to be changed. The time stamp must be in standard form.

### DSN(*name*)

Optional keyword you use to change data set name. *name* can be up to 44 characters.

### CHKPTCT(*value*)

Optional keyword you use to change the number of checkpoints completed on each volume of the data set. Specify a value for each volume designated in the OLDVOL or NEWVOL keywords. If OLDVOL is specified without NEWVOL, the number of values for CHKPTCT equals the number of volume serial numbers that appear with OLDVOL. If NEWVOL is specified, the number of values for CHKPTCT equals the number of volume serial numbers that appear in NEWVOL.

The values for CHKPTCT are:

- 0 No checkpoints on the volume
- 1 A single checkpoint on the volume
- 2 More than one checkpoint on the volume

### CHKPTID(*chkptid*)

Optional keyword you use to change the oldest checkpoint ID for any active PST on each volume of the data set. Specify one checkpoint ID for each volume listed in OLDVOL or NEWVOL. If OLDVOL is specified without NEWVOL, the number of checkpoint IDs equals the number of volumes listed in OLDVOL. If NEWVOL is specified, the number of checkpoint IDs equals the number of volumes listed in NEWVOL.

The checkpoint ID must be in standard form for a time stamp. You can specify a zero time value.

### DSSTART(*time\_stamp*)

is a keyword you use to specify the starting time of the data set entry to be changed. The DSSTART keyword is required if the PRISLD has multiple data set entries. The keyword is optional if the PRISLD has only one data set entry. The time stamp must be in standard form.

### ERROR | NORMAL

Mutually exclusive, optional keywords you use to change the data set entry to indicate whether it contains errors.



**ERROR**

Optional keyword you use to change the data set entry to indicate that it contains errors.

**NORMAL**

Optional keyword you use to change a data set entry which was previously marked as containing errors to indicate that it is normal.

DBRC selects the required log data sets from the PRILOG (or SECLOG) records. These can contain RLDS entries, SLDS entries, or both. If you issue a CHANGE.PRILOG SLDS ERROR command, DBRC automatically uses the corresponding SECLOG entry, if one exists. If a SECLOG entry does not exist, or if it is marked in error, the GENJCL commands that require log data for this time frame fail.

**FILESEQ(*value*)**

Optional keyword you use to specify the file sequence number on the volume. Specify this keyword only if you specify a VOLLIST keyword. The value you substitute in the variable field must be a decimal number from 1 to 9999.

**GSG(*gsgname*)**

Optional keyword you use to change the global service group (GSG) name in the PRISLD record.

**NEWTIME(*time\_stamp*)**

Optional keyword you use to change the stop times of any but the last volume of the data set. When you specify NEWTIME, you must also specify NEWVOL and OLDVOL. The following two keyword sets are mutually exclusive:

- NEWTIME, NEWVOL, OLDVOL
- RUNTIMES, VOLLIST

When you specify NEWTIME, you must specify one less time stamp than the number of volume serial numbers specified in NEWVOL. This is because the stop time of the last volume specified in NEWVOL cannot be changed with this command. Each time stamp is used as the volume stop time of the corresponding volume serial number specified by NEWVOL. If not specified, the stop time of the new volume is the same as the stop time of the last—specified old volume.

Each time stamp you specify must be greater than the previous time stamp. The first time stamp in NEWTIME must be greater than or equal to the stop time of the volume prior to the changed volumes. Each time stamp must be in standard form.

**NEWVOL(*volser*)**

Optional keyword you use to change the volume serial number of one or more volumes of the data set. When you specify NEWVOL, you must also specify OLDVOL. The following keyword sets are mutually exclusive:

- NEWTIME, NEWVOL, OLDVOL
- RUNTIMES, VOLLIST

The volume serial numbers you specify in NEWVOL replace the corresponding volume serial numbers specified in the OLDVOL keyword. You do not need to specify the same number of volume serial numbers in NEWVOL and OLDVOL. You cannot specify a volume serial number in NEWVOL that is the same as one that already exists in the PRISLD record.

You can specify from 1 to 255 volume serial numbers.

Use the NEWTIME keyword if you want to change the time stamps as well as the serial numbers of the volumes.

**OLDVOL(*volser*)**

Optional keyword you use to change the volume serial number of one or more volumes of the primary SLDS. When you specify OLDVOL, you must also specify one of the following: NEWVOL, CHKPTCT, or CHKPTID.

The volume serial numbers you specify are those of the volumes to be changed. Each volume serial number specified must match a volume serial number in the PRISLD record.

You can specify from 1 to 255 volume serial numbers.

**RUNTIMES(*time\_stamp*)**

Optional keyword you use to change the stop times of any but the last volume of the data set. This keyword is provided for compatibility with previous releases of DBRC. Use the NEWTIME, OLDVOL, and NEWVOL keywords to change the stop times of log volumes. If you do specify RUNTIMES, you must also specify VOLLIST. The following keyword sets are mutually exclusive:

- NEWTIME, NEWVOL, OLDVOL
- RUNTIMES, VOLLIST

You can specify up to 255 time stamps on the RUNTIMES keyword. Each time stamp must be in standard form.

Each time stamp in the variable field must correspond to a volume in the variable field of the VOLLIST keyword. The variable fields of the RUNTIMES and VOLLIST keywords must each contain the same number of entries. Each time stamp in the variable field of the RUNTIMES keyword must be greater than the previous time stamp.

The first time stamp in the variable field of the RUNTIMES keyword must be greater than the time stamp specified for the STARTIME keyword. The last time stamp in the variable field of the RUNTIMES keyword must be equal to the stop time of the corresponding primary SLDS as specified in the record being changed. You cannot use this command to change the stop time of the primary SLDS.

**SSID(*name*)**

Optional keyword you use to specify the name of the IMS subsystem that created the SLDS for which the RECON record is to be changed.

The SSID is an eight-character string consisting of any alphanumeric characters that describe a valid IMS subsystem identification name. If you do not specify SSID, DBRC uses the default subsystem identifier in the RECON header record. Use the INIT.RECON or CHANGE.RECON command to set the default subsystem identifier in the RECON header record. If you have not specified a default in the RECON header record, you must specify SSID.

**UNIT(3400 | *unittype*)**

Optional keyword you use to change the unit type of the device on which the data set resides. The unit type can be up to 8 alphanumeric characters long.

**VOLLIST(*volser*)**

Optional keyword you use to change the record of the volume serial numbers of the volumes that contain the data set. This keyword is provided for compatibility with previous releases of DBRC. Use the NEWTIME, OLDVOL, and NEWVOL keywords to change the volume serial numbers of volumes in the data set.

If you specify the VOLLIST keyword, you must also specify the RUNTIMES keyword. See the above description of the RUNTIMES keyword for an explanation of how the two keywords interact. The following keyword sets are mutually exclusive:

- NEWTIME, NEWVOL, OLDVOL
- RUNTIMES, VOLLIST

## Examples of using the CHANGE.PRILOG SLDS command

Here are some examples of using the CHANGE.PRILOG SLDS command.

### *Example of changing volume serial numbers and stop time*

In this example, some volume serial numbers and a volume stop time for a log that contains a single data set are changed. The example PRISLD record in the RECON data set has a start time of 07233124329923456 and six volumes (VOL001, VOL002, VOL003, VOL004, VOL005, and VOL006). The fourth volume has been copied to new volumes VOL007 and VOL008, with the new volume stop time 07233124832523456 for VOL007. The PRISLD record can be updated with the following command:

```
//CHGPRILOG JOB
:
//SYSIN DD *
CHANGE.PRILOG SLDS STARTIME(07233124329923456) -
              OLDVOL(VOL004) -
              NEWVOL(VOL007,VOL008) -
              NEWTIME(07233124832523456)
/*
```

### *Example of marking primary SLDS as normal*

In this example, the first data set of a primary SLDS is marked as normal.

```
//CHGPRILOG JOB
:
//SYSIN DD *
CHANGE.PRILOG SLDS STARTIME(07054121212023456) -
              DSSTART(07054121212023456) NORMAL
/*
```

#### **Related reference:**

“CHANGE.PRILOG TSLDS command”

“DBRC time stamps” on page 52

---

## CHANGE.PRILOG TSLDS command

Use the CHANGE.PRILOG TSLDS command to change information in the RECON data set about a primary SLDS for an RSR tracking subsystem.

You can use the CHANGE.PRILOG SLDS command to change information in the RECON about a primary SLDS for an online system. Use the CHANGE.PRILOG RLDS command to change information about an SLDS that a batch subsystem created, because DBRC considers such data to be an RLDS. Use the NOTIFY.PRILOG command (for SLDS) to add a PRISLD record or to add data set entries to an existing PRISLD record.

All the information you can change resides in a data set entry of the PRISLD record. Each CHANGE.PRILOG command you issue changes only one data set entry. If the log has multiple data sets, you must use the DSSTART keyword to identify the data set entry to be changed.

If the PRISLD record represents log data that was received by an RSR tracking site from an active IMS subsystem, none of the keywords FILESEQ, NEWTIME, NEWVOL, OLDVOL, RUNTIMES, CHKPTID, UNIT, or VOLLIST can be specified. Log data sets received at a tracking site must be cataloged.

Subsections:

- "Syntax"
- "Keywords"

## Syntax



**Attention:** For this command you must specify the TSLDS keyword. If TSLDS is not specified, DBRC will default to processing an RLDS, which will not provide the desired results.

## Keywords

The following keywords are valid for the CHANGE.PRILOG TSLDS command:

### TSLDS

Required keyword you use to specify that a PRITSLDS record is to be changed at an RSR tracking subsystem.

**STARTIME(*time\_stamp*)**

Required keyword you use to specify the starting time stamp of the PRISLD record that is to be changed. The time stamp must be in standard form.

**DSN(*name*)**

Optional keyword you use to change data set name. *name* can be up to 44 characters.

**CHKPTCT(*value*)**

Optional keyword you use to change the number of checkpoints completed on each volume of the data set. Specify a value for each volume designated in the OLDDVOL or NEWVOL keywords. If OLDDVOL is specified without NEWVOL, the number of values for CHKPTCT equals the number of volume serial numbers that appear with OLDDVOL. If NEWVOL is specified, the number of values for CHKPTCT equals the number of volume serial numbers that appear in NEWVOL.

The values for CHKPTCT are:

- 0 No checkpoints on the volume
- 1 A single checkpoint on the volume
- 2 More than one checkpoint on the volume

**CHKPTID(*chkptid*)**

Optional keyword you use to change the oldest checkpoint ID for any active PST on each volume of the data set. Specify one checkpoint ID for each volume listed in OLDDVOL or NEWVOL. If OLDDVOL is specified without NEWVOL, the number of checkpoint IDs equals the number of volumes listed in OLDDVOL. If NEWVOL is specified, the number of checkpoint IDs equals the number of volumes listed in NEWVOL.

The checkpoint ID must be in standard form for a time stamp. You can specify a zero time value.

**DSSTART(*time\_stamp*)**

is a keyword you use to specify the starting time of the data set entry to be changed. The DSSTART keyword is required if the PRITSLDS has multiple data set entries. The keyword is optional if the PRITSLDS has only one data set entry. The time stamp must be in standard form.

**ERROR | NORMAL**

Mutually exclusive, optional keywords you use to change the data set entry to indicate whether it contains errors.

**ERROR**

Optional keyword you use to change the data set entry to indicate that it contains errors.

**NORMAL**

Optional keyword you use to change a data set entry which was previously marked as containing errors to indicate that it is normal.

DBRC selects the required log data sets from the PRILOG (or SECLOG) records. These can contain RLDS entries, SLDS entries, or both. If you issue a CHANGE.PRILOG TSLDS ERROR command, DBRC automatically uses the corresponding SECLOG entry, if one exists. If a SECLOG entry does not exist, or if it is marked in error, the GENJCL commands that require log data for this time frame fail.

**FILESEQ(*value*)**

Optional keyword you use to specify the file sequence number on the volume. Specify this keyword only if you specify a VOLLIST keyword. The value you substitute in the variable field must be a decimal number from 1 to 9999.

**NEWTIME(*time\_stamp*)**

Optional keyword you use to change the stop times of any but the last volume of the data set. When you specify NEWTIME, you must also specify NEWVOL and OLDVOL. The following keyword sets are mutually exclusive:

- NEWTIME, NEWVOL, OLDVOL
- RUNTIMES, VOLLIST

When you specify NEWTIME, you must specify one less time stamp than the number of volume serial numbers specified in NEWVOL. This is because the stop time of the last volume specified in NEWVOL cannot be changed with this command. Each time stamp is used as the volume stop time of the corresponding volume serial number specified by NEWVOL. If not specified, the stop time of the new volume is the same as the stop time of the last—specified old volume.

Each time stamp you specify must be greater than the previous time stamp. The first time stamp in NEWTIME must be greater than or equal to the stop time of the volume prior to the changed volumes. Each time stamp must be in standard form.

**NEWVOL(*volser*)**

Optional keyword you use to change the volume serial number of one or more volumes of the data set. When you specify NEWVOL, you must also specify OLDVOL. The following keyword sets are mutually exclusive:

- NEWTIME, NEWVOL, OLDVOL
- RUNTIMES, VOLLIST

The volume serial numbers you specify in NEWVOL replace the corresponding volume serial numbers specified in the OLDVOL keyword. You do not need to specify the same number of volume serial numbers in NEWVOL and OLDVOL. You cannot specify a volume serial number in NEWVOL that is the same as one that already exists in the PRITSLDS record.

You can specify from 1 to 255 volume serial numbers.

Use the NEWTIME keyword if you want to change the time stamps as well as the serial numbers of the volumes.

**OLDVOL(*volser*)**

Optional keyword you use to change the volume serial number of one or more volumes of the primary TSLDS. When you specify OLDVOL, you must also specify one of the following: NEWVOL, CHKPTCT, or CHKPTID.

The volume serial numbers you specify are those of the volumes to be changed. Each volume serial number specified must match a volume serial number in the PRITSLDS record.

You can specify from 1 to 255 volume serial numbers.

**RUNTIMES(*time\_stamp*)**

Optional keyword you use to change the stop times of any but the last volume of the data set. This keyword is provided for compatibility with previous releases of DBRC. Use the NEWTIME, OLDVOL, and NEWVOL keywords to change the stop times of log volumes. If you do specify RUNTIMES, you must also specify VOLLIST. The following keyword sets are mutually exclusive:

- NEWTIME, NEWVOL, OLDVOL

- RUNTIMES, VOLLIST

You can specify up to 255 time stamps on the RUNTIMES keyword. Each time stamp must be in standard form.

Each time stamp in the variable field must correspond to a volume in the variable field of the VOLLIST keyword. The variable fields of the RUNTIMES and VOLLIST keywords must each contain the same number of entries. Each time stamp in the variable field of the RUNTIMES keyword must be greater than the previous time stamp.

The first time stamp in the variable field of the RUNTIMES keyword must be greater than the time stamp specified for the STARTIME keyword. The last time stamp in the variable field of the RUNTIMES keyword must be equal to the stop time of the corresponding primary TSLDS as specified in the record being changed. You cannot use this command to change the stop time of the primary TSLDS.

#### **SSID(*name*)**

Optional keyword you use to specify the name of the IMS subsystem that created the TSLDS for which the RECON record is to be changed.

The SSID is an eight-character string consisting of any alphanumeric characters that describe a valid IMS subsystem identification name. If you do not specify SSID, DBRC uses the default subsystem identifier in the RECON header record. Use the INIT.RECON or CHANGE.RECON command to set the default subsystem identifier in the RECON header record. If you have not specified a default in the RECON header record, you must specify SSID.

#### **UNIT(3400 | *unittype*)**

Optional keyword you use to change the unit type of the device on which the data set resides. The unit type can be up to 8 alphanumeric characters long.

#### **VOLLIST(*volser*)**

Optional keyword you use to change the record of the volume serial numbers of the volumes that contain the data set. This keyword is provided for compatibility with previous releases of DBRC. Use the NEWTIME, OLDVOL, and NEWVOL keywords to change the volume serial numbers of volumes in the data set.

If you specify the VOLLIST keyword, you must also specify the RUNTIMES keyword. See the above description of the RUNTIMES keyword for an explanation of how the two keywords interact. The following keyword sets are mutually exclusive:

- NEWTIME, NEWVOL, OLDVOL
- RUNTIMES, VOLLIST

#### **Related reference:**

“CHANGE.PRILOG SLDS command” on page 115

“DBRC time stamps” on page 52

---

## **CHANGE.RECON command**

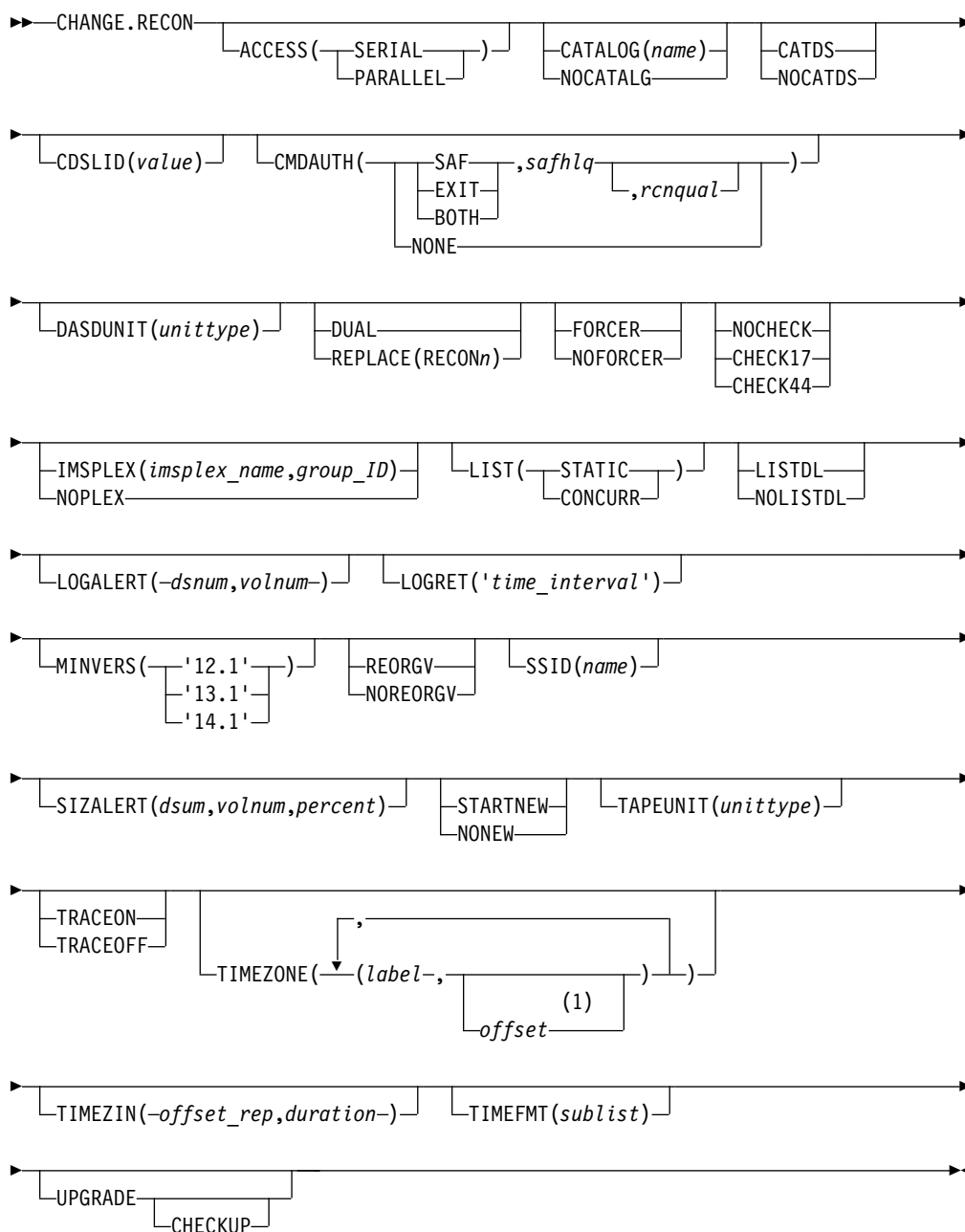
Use the CHANGE.RECON command to update options in the RECON status record.

Subsections:

- “Syntax” on page 124
- “Keywords” on page 124

- “Usage notes” on page 137
- “Example of updating the RECON header record” on page 137

## Syntax



### Notes:

- 1 The *offset* subparameter of the TIMEZONE keyword must be omitted in order to delete an entry.

## Keywords

### ACCESS (SERIAL | PARALLEL)

Optional keyword that you use to specify serial or parallel RECON access.



If the ACCESS keyword is specified, SERIAL or PARALLEL must be specified.

#### **SERIAL**

Specifies access to a RECON data set in serial mode. Only one DBRC request can be processed at a time. Access to the RECON data set is serialized at the data set level using hardware reserve or Global Resource Serialization (GRS).

#### **PARALLEL**

With parallel RECON access, DBRC requests from multiple IMS systems and batch/utility jobs can be processed concurrently. The RECON data set is accessed in Transactional VSAM mode. Access is serialized at the VSAM record level using coupling facility locking.

To use parallel RECON access, the following conditions must be met:

- All three RECON data sets must be available. There must be two active RECON data sets, COPY1 and COPY2, and a spare (or discarded) RECON data set.
- The RECON data set must be associated with an IMSplex.
- The RECON data set must not contain an RSR tracking subsystem record.

If the ACCESS keyword specifies the access mode that is currently set for the RECON data set, the command sets return code 4.

**Restriction:** The ACCESS(SERIAL | PARALLEL) keyword cannot be changed in the same command when IMSPLEX() | NOPLEX keywords are being changed.

#### **CATALOG | NOCATALG**

Mutually exclusive, optional parameters that you use to indicate whether DBRC retrieves the database definitions from the IMS catalog or the DBDLIB data set when the following commands are run:

CHANGE.DBDS

CHANGE.PART

For HALDBs only, INIT.DB

INIT.DBDS

INIT.PART

NOTIFY.REORG

For databases that are defined using Database Definition Language (DDL), DBRC must access an IMS catalog.

#### **CATALOG(*name*)**

Specifies that an IMS catalog is used.

*name* is an 8-character alphanumeric string that identifies a HALDB database that is registered in the RECON data set. Any catalog name that is less than 8 characters is padded with blanks.

The catalog name is validated when the CHANGE.RECON command is run.

#### **NOCATALOG**

Specifies that the DBDLIB data set is used.

#### **CATDS | NOCATDS**

Mutually exclusive, optional keywords you use to modify the status of whether image copy, change accumulation, and log data sets are cataloged.

### **CATDS**

Specifies that these data sets are cataloged or SMS-managed.

DBRC does not verify the volume serial and file sequence numbers for the data set.

For the CATDS option to be effective, the data set must be cataloged, and VOLSER information for the data set must be omitted from the JCL. If the data set is cataloged, CATDS is specified, and VOLSER information is included in the JCL, DBRC ignores CATDS and allocates the data set by the JCL. Normal VOLSER and file sequence checking occurs.

If the data set is not cataloged, CATDS is not effective, and DBRC allocates the data set by the JCL, with VOLSER and file sequence checking.

If log data sets are SMS-managed, select the CATDS option and remove the %LOGVOLS keyword from skeletal JCL member CAJCL.

**Attention:** The CATDS option affects restart of IMS from SLDS data sets. Because the CATDS option indicates the SLDS are under the control of a catalog management system, the VOLSER is not passed back to IMS for data set allocation. If the SLDS data sets are not cataloged, IMS restart fails.

### **NOCATDS**

Specifies that these data sets, regardless of their cataloged status, are not to be treated as cataloged.

DBRC checks the data set name and verifies that the volume serial and file sequence numbers specified in the JCL are the same as the information recorded in the RECON data set.

### **CDSLID(*value*)**

Optional keyword that you use to set the cross-DBRC service level ID in the RECON data set. The service level ID indicates that the maintenance that corresponds to the given value has been applied to all systems that will be accessing this RECON data set.

Occasionally, maintenance must be applied to all systems that access the same RECON data set before you enable that maintenance. The ++HOLD card associated with the maintenance indicates the need to issue the CHANGE.RECON CDSLID() command.

This command is used to enable the function provided by the maintenance after the maintenance is applied to all the systems. The value to specify on the command is indicated in the ++HOLD card.

After the cross-DBRC service level ID is set, all maintenance related to any service level ID less than or equal to the value set will be activated. If, after enabling some maintenance, you find that a system does not yet have the maintenance applied, to deactivate the enabled function specify a value less than the enabling service level ID. For example, if service level ID 5 is set in the RECON data set, issuing a CHANGE.RECON CDSLID(3) command will deactivate the functions associated with IDs 4 and 5.

### **CMDAUTH ()**

Optional keyword you use to specify whether DBRC command authorization is to be performed.

Specification of this keyword will result in command authorization being performed using the specified command authorization setting. However, in order to turn off command authorization (specifying NONE), you must be authorized under the current command authorization setting.

**SAF | EXIT | BOTH | NONE**

Mutually exclusive subparameters you use to specify your DBRC authorization option.

**SAF**

Specifies that a security product is to be called for command authorization.

**EXIT**

Specifies that the DBRC Command Authorization Exit (DSPDCAX0) is to be called for command authorization.

**BOTH**

Specifies that a security product and the DBRC Command Authorization Exit (DSPDCAX0) are to be called for command authorization. The security product is called first, then DSPDCAX0.

**NONE**

Specifies that command authorization is to be skipped.

***safhlq***

High level qualifier of the resource name defined to the z/OS System Authorization Facility (SAF) product (RACF) to define command authorization. *safhlq* must be specified with SAF, EXIT, or BOTH. *safhlq* is a name up to 8 alphanumeric characters in length.

**Note:** If you simply want to change your high level qualifier, specify your current command authorization option with the new *safhlq*. The profiles with the new qualifier must exist before entering the command. Create the new profiles or rename the old ones.

***rcnqual***

Optional parameter you use for setting or changing a string value in the RECON data set that will be used in DBRC command processing on the RECON to determine whether the data set is a copy and whether command authorization should be enforced. The *rcnqual* parameter can be specified only with SAF, EXIT, or BOTH.

When setting or changing the *rcnqual* value, the string must be a substring of the RECON COPY1 data set name in order to prevent inadvertently disabling security for the production RECON data set. If *rcnqual* is specified with an asterisk (\*) at the end and within quotation marks, the RECON COPY1 data set name must start with *rcnqual* or DBRC command authorization will not be enforced.

For command authorization to be enforced the *rcnqual* must be a substring of the RECON COPY1 data set name. Ideally it should be a substring common to all three RECON data set names in order to prevent any problems if RECON reconfiguration takes place. *rcnqual* can be up to 44 characters long and must follow DBRC data set naming conventions.

**DASDUNIT(*unittype*)**

Optional keyword you use to change the unit type of the DASD device that holds the records for log data sets. The unit type can be up to 8 alphanumeric characters long.

DBRC stores the value specified for DASDUNIT in the unit field of various RECON records. Multiple utilities use this value as the default value for the output device type.

## **DUAL | REPLACE(RECON $n$ )**

Mutually exclusive, optional keywords you use to reestablish dual mode or to replace an active RECON data set with the spare RECON data set:

### **DUAL**

Causes DBRC to enter dual-RECON mode. If DBRC is already using two RECON data sets, the dual keyword is ignored. If DBRC is using one RECON data set, it attempts to use a spare RECON data set. If no spare RECON data set is available, dual mode is not entered; however, any other optional keywords are processed.

You are not required to use the DUAL keyword to cause DBRC to enter dual-RECON mode. If as a result of a permanent I/O error on a RECON data set, for example, DBRC is reduced to the use of a single RECON data set, it automatically reenters dual-RECON mode as soon as it becomes aware of the existence of a spare RECON data set. However, in installations that use DBRC for log control only, it can be some time before DBRC becomes aware of a recently created spare RECON data set. Use the CHANGE.RECON command with the DUAL keyword to cause DBRC to enter dual-RECON mode immediately.

### **REPLACE**

Causes DBRC to replace an active RECON data set with a spare RECON data set. When you specify this keyword, you can reorganize the RECON data sets online.

For RECON $n$ , specify the DD statement of the RECON data set you want replaced. For  $n$ , you can specify 1, 2, or 3. If you specify a RECON data set that is not active or if no spare RECON data set is available, the replace does not take place; however, any other optional keywords that are specified on the command are executed.

## **FORCER | NOFORCER**

Mutually exclusive, optional keywords you use to specify whether all databases must be registered in the RECON data set.

### **FORCER**

Specifies that all databases must be registered in the RECON data set. If a job tries to access an unregistered database, the database authorization call from IMS to DBRC fails.

### **NOFORCER**

Specifies that databases do not have to be registered in the RECON data set.

DBRC checks this keyword during initialization and it remains in effect for as long as the subsystem runs. If you change this keyword while the control region is active, the change does not take effect until restart or initialization, although the change appears in a listing of the RECON data set.

## **NOCHECK | CHECK17 | CHECK44**

Mutually exclusive, optional keywords you use to change the type of comparison of log data set names that is done by DBRC.

### **NOCHECK**

Specifies that the data set name you specify as input to DBRC has a new high-level qualifier and is longer than 17 characters. With NOCHECK, DBRC does not compare the log data set name that is recorded in the RECON data set with the name on the appropriate DD statement.

#### CHECK17

Verifies that the last 17 characters of a log data set name are consistent with the RECON data set. If the name in the RECON data set does not match the name on the appropriate DD statement, the utility stops.

#### CHECK44

Verifies that the 44-character log data set name is consistent with the RECON data set. If the name in the RECON data set does not match the name on the appropriate log DD statement, the utility stops.

#### IMSPLEX(*imsplex\_name*, *group\_ID*) | NOPLEX

Mutually exclusive, optional keywords you use to change the IMSplex name and the DBRC group ID associated with the RECON data set.

No other DBRC instances that are registered to SCI can access the RECON data set when this command is processed. The DBRC instance processing the command must use the IMSplex name that is currently saved in the RECON data set.

The IMSplex name in the RECON data set can be changed only when your SCI registration exit, DSPSCIX0, is changed to return the new IMSplex name.

The DBRC group ID can be used to uniquely identify different RECON data sets that are used in the same IMSplex. If you use parallel RECON access, each RECON in the same IMSplex must have a unique group ID.

#### Restrictions:

- CHANGE.RECON IMSPLEX and CHANGE.RECON NOPLEX can only be issued from the batch command utility. You cannot issue these commands from an online IMS.
- CHANGE.RECON IMSPLEX and CHANGE.RECON NOPLEX commands cannot be issued as /RMxxx commands. They can be issued embedded in the Database Recovery Control utility as batch commands or embedded in a FUNC=COMMAND DBRC API request.
- The ACCESS(SERIAL | PARALLEL) keyword cannot be changed in the same command when IMSPLEX() | NOPLEX keywords are being changed.
- CHANGE.RECON NOPLEX is not allowed if the current access mode for the RECON data set is parallel.

#### IMSPLEX(*imsplex\_name*, *group\_ID*)

Specifies the new IMSplex name. The IMSplex name can be up to 5 alphanumeric characters long.

#### *imsplex\_name*

The *imsplex\_name* can be up to 5 alphanumeric characters long.

#### *group\_ID*

The *group\_ID* can be up to 3 alphanumeric characters long. The *imsplex\_name* must be specified if *group\_ID* is specified. The *group\_ID* will be set to '001' if not specified and no value is already set.

#### NOPLEX

Specifies that no IMSplex name is to be associated with the RECON data set.

There is no default for this keyword. If neither is specified, the current setting is unchanged.

**Note:** If DSPSCIX0 is not found, DBRC behaves as though the sample exit were used. So, if the IMSPLEX keyword is not used, DBRC assumes that

RECON Automatic Loss Notification is inactive. When the IMSPLEX keyword is used, DBRC will use its value to register with SCI.

#### **LIST(STATIC | CONCURR)**

Optional keyword to set a default of STATIC or CONCURR for the LIST.xxx commands

##### **STATIC**

Specifies that if the RECON data set is in parallel access mode and a LIST command is processed that did not specify the STATIC or CONCURR keyword, the default for list processing is STATIC.

##### **CONCURR**

Specifies that if the RECON data set is in parallel access mode and a LIST command is processed that did not specify the STATIC or CONCURR keyword, the default for list processing is CONCURR.

**Recommendation:** Because some LIST commands with the STATIC option are likely to be disruptive, set CONCURR as the default. STATIC can then be specified on specific commands, for example, when trying to resolve problems. (The default, if not explicitly set by a CHANGE.RECON command or the INIT.RECON command, is STATIC rather than CONCURR only because STATIC is what LIST command processing with serial RECON access produces.)

#### **LISTDL | NOLISTDL**

Mutually exclusive, optional keywords you use to specify whether data set names that are deleted from the RECON (by the DELETE.LOG command or by an archive job log compression) are listed in the job output. The setting specified on this command can be overridden by the DELETE.LOG command. There is no way to override the setting for log compression during an archive job.

##### **LISTDL**

Specifies that deleted data set names are to be listed in the job output.

##### **NOLISTDL**

Specifies that deleted data set names are not to be listed in the job output.

There is no default for this keyword. If neither is specified, the current setting is unchanged.

#### **LOGALERT(*dsnum*,*volnum*)**

Optional keyword you use to define the threshold that triggers the DSP0287W message. Message DSP0287W displays when you just have time to shut down an online IMS subsystem before it terminates abnormally because the PRILOG record size exceeds the 16M record size maximum.

Given the 16 MB maximum allowable size of a PRILOG record, for practical purposes, LOGALERT is obsolete.

##### ***dsnum*,*volnum***

These values apply only to PRILOG-family records. The message is issued when both of the following conditions are true:

- A new OLDS data set opens.
- When there will no longer be room in the PRILOG record to successfully archive all OLDSs currently needing to be archived (including the new one) plus *dsnum* more, assuming each OLDS uses *volnum* volumes.

The values that you enter, based on your knowledge of the rate at which the subsystem normally fills OLDSs, should be calculated to give you sufficient time to effect a normal shutdown of the online IMS subsystem.

All values must be supplied. A zero (0) in any position means that the existing value in the RECON record is not to be changed.

The default values in a new RECON or one that has been upgraded from an earlier release are (3,16), and are set during INIT.RECON command processing.

#### **LOGRET(*time\_interval*)**

Optional keyword you use to change the retention period for log data sets.

##### **Definitions:**

- The *retention period* is the minimum amount of time in which a log becomes inactive after it is opened. (It is then eligible to be deleted.)
- The *time\_interval* is a partial, punctuated time stamp representing a time interval (days, hours, minutes, seconds and tenths of a second) instead of date and time. The time stamp for this command follows the standard time stamp format except that the year subparameter element is omitted. Valid intervals range from a tenth of a second to 365 days.

Because the time interval is treated as a time stamp, message DSP1048I can be issued for incorrect values. Some examples of valid time intervals include:

```
LOGRET(365)
LOGRET('030 12.00')
LOGRET('000 00:00:08.0')
LOGRET('000 00,00,00,1')
```

The following shows two different formats for equivalent time stamp specifications. Both are valid.

```
LOGRET(030)           LOGRET('030')           = 30 days
LOGRET('010 12,30')  LOGRET('010 12:30')  x= 10 days, 12 hours, 30 minutes
```

For information about inactive logs and how they are determined by use of the log retention period and other conditions, see the INACTIVE keyword under the DELETE.LOG (for RLDS and SLDS) command.

**Recommendation:** Ensure that an appropriate log retention period is specified so that log information is kept in the RECON data set for a long enough period of time. Certain IMS functions depend on log information in the RECON data set, and these functions might fail if that information is deleted too soon. For example, one or more of the following functions might fail:

- Dynamic backout
- Batch message processing (BMP) extended restart (XRST)
- Unit of work table entry (UOWE) resynchronization

#### **MINVERS('12.1' | '13.1' | '14.1')**

Optional keyword that specifies the lowest version of IMS that is allowed to access the RECON data sets. This keyword cannot be set to a higher IMS release if any subsystems with a lower version of IMS are currently signed on to DBRC.

Precision for all time stamp formats is set to the microsecond.

The format for the MINVERS keyword includes a period. DBRC considers this a special character and requires the value to be enclosed in single quotation marks.

### Requirements:

- To run the DEDB Alter utility with ALTERAREA for a DEDB area with sequential dependent (SDEP) segments, the MINVERS value must be 14.1.
- To specify that a HALDB database can have up to 8 gigabytes of data in a OSAM PHDAM or PHIDAM database data set, the MINVERS value must be 14.1 or it must be 13.1 with a CDSLID value of 2. A CDSLID value of 2 indicates that the SPE APAR that enables the support of 8-GB OSAM data sets has been applied to all IMS Version 13 resident libraries that access the RECON data set.

### REORGV | NOREORGV

Mutually exclusive, optional parameters you use to modify the HALDB partition reorganization number verification. A CHANGE command with these parameters is allowed while databases are currently authorized to other subsystems.

#### REORGV

Specifies that HALDB partition reorganization number verification is enabled. The RECON stores the reorganization number for each partition and prevents the reorganization number from being regressed. After a CHANGE.RECON REORGV command is issued, the partition reorganization number in each partition record is set to zeros.

#### NOREORGV

Specifies that HALDB partition reorganization number verification is disabled. Any requests to store, update or verify the reorganization number will be ignored.

### SSID(*name*)

Optional keyword you use to change the name of the IMS subsystem to be used as the subsystem ID for the following commands:

- CHANGE.PRILOG
- CHANGE.SECLOG
- DELETE.LOG
- GENJCL.ARCHIVE
- GENJCL.CLOSE
- NOTIFY.PRILOG
- NOTIFY.SECLOG

The SSID is an 8-character string of any alphanumeric characters that comprise a valid IMS subsystem identification name.

### SIZALERT(*dsnum, volnum, percent*)

Optional keyword you use to define thresholds that trigger messages to warn you that a record has grown unusually large. The decimal threshold values that you supply for SIZALERT are:

#### *dsnum, volnum*

These values apply only to PRILOG-family records. The message DSP0387W is issued when both of the following conditions are true:

- When a new OLDS data set opens.
- All currently open OLDSs, including the new one, have been archived, there will no longer be room in the record for *dsnum* data set entries of *volnum* volumes each, or the record size will exceed *percent* percent of the 16 MB record size maximum.



Given the 16 MB maximum allowable size of a PRILOG record, for practical purposes, *dsnum* and *volnum* are obsolete.

**percent**

This value applies to all records. The threshold is reached when a record exceeding *percent* percentage of the 16 MB record size maximum.

**STARTNEW | NONEW**

Mutually exclusive, optional keywords you use to specify whether new jobs are to be started when only one RECON data set is available.

**STARTNEW**

Specifies that new jobs are to be started. If parallel RECON access is enabled, new jobs cannot start with a single available RECON data set if another DBRC instance is running with two active RECON data sets.

**NONEW**

Specifies that new jobs are not to be started.

**TAPEUNIT(*unittype*)**

Optional keyword you use to change the unit type of the tape device that holds the records for log data sets. The unit type can be up to 8 alphanumeric characters long.

DBRC stores the value specified for TAPEUNIT in the unit field of various RECON records. Multiple utilities use this value as the default value for the output device type.

**TRACEON | TRACEOFF**

Mutually exclusive, optional keywords you use to specify whether to start or stop external tracing.

**Note:** If the CHANGE.RECON command is issued in a batch job, the RECON header record will be changed to show the requested status (TRACEON or TRACEOFF), however, the actual TRACE status will not be changed for any active IMS system.

If the CHANGE.RECON command is issued as a command in a control region (/RMCHANGE DBRC='RECON TRACEON | TRACEOFF'), the trace status and the RECON header record will be changed to show the requested status (TRACEON or TRACEOFF) for this control region. However, the actual TRACE status will not be changed for any other active IMS system (batch or online).

**TRACEON**

Starts external tracing. If you specify this keyword, the specified Generalized Trace Facility (GTF) must be active for USR-type records.

**TRACEOFF**

Stops external tracing. If you specify this keyword, DBRC only does internal tracing.

**TIMEZONE((*label,offset*),(*label,offset*))**

Optional keyword that alters the time zone label table. This keyword is used to define one or more symbolic time zone labels. Because most people do not readily associate a numeric offset with a time zone, TIMEZONE enables you to define symbolic labels, like PST (Pacific Standard Time), for numeric offsets, such as -8.

The time zone label table can contain up to 32 entries, each of which is composed of a label and an offset.

**label**

An alphanumeric value of up to 5 characters, the first of which must be alphabetic. Lowercase characters are translated to uppercase.

**offset**

A signed-decimal value in the form of  $\pm [h]h[:mm]$  that meets the requirements of a valid time stamp offset. The offset is the value that, when added to UTC, gives local time. For example, the value to use for PST (Pacific Standard Time) is -8. The value for JST (Japan Standard Time) is +9.

Adding, replacing, and deleting entries from the stored list is supported as follows:

- Adding an entry to the stored table is accomplished when an input list entry contains both a label that does not exist in the RECON data set and a valid offset value.
- Replacing an entry to the stored table is accomplished when the input entry contains both a label that matches an existing label in the table and a valid offset value.
- Deleting an entry to the stored table is accomplished when the input entry is a label that matches an existing label in the table and no offset value was specified. If the offset is omitted, and the label is not found in the table, the table is not altered.

The labels in the table must be unique.

**Suggestions for time zone label table management:** The same offset should not be designated by more than one label because DBRC always uses the first occurrence in the table when outputting a time stamp.

The practicality of using the label format is affected by the scope of the IMS installation. For those operating solely in a single time zone, use of labels eliminates the need for the operator to know the exact offset to UTC at all times during the year. For multiple time zone operation, the use of offsets rather than labels, is suggested (though not mandatory). The time zone label table may not be practical if offsets are not unique from one zone to the next when daylight saving time adjustments are taken into account. Changing the table when daylight saving time switches are made would add to the confusion, so, in that case, use numeric offset values for cross time zone operation.

**TIMEZIN(*offset\_rep* [,*duration*])**

Optional keyword you use to define a default time zone value for time stamps that are entered without time zone information on subsequent DBRC commands.

***offset\_rep***

The default time zone value. It can be one of the following choices:

**%SYS**

A keyword used to designate that the offset is to be derived from the current offset found in the z/OS CVT control block. This is the initial default for DBRC.

***label***

A time zone label that has been previously defined using the TIMEZONE keyword.

**offset**

A numeric offset value in the same form as defined above for the TIMEZONE keyword.

**duration**

Specifies the duration of the *offset\_rep* choice.

**TEMP**

Indicates that the label or offset default is in effect only for the job in which the command is entered.

**PERM**

Indicates that the label or offset default is to be in effect for any subsequent DBRC command running with the same RECON data set.

**TIMEFMT(sublist)**

Optional keyword you use to define the form in which time stamps appear from DBRC in messages, displays, and listings. The five values are positional. Each is optional and can be omitted by including only the comma.

**UPGRADE**

Optional keyword that you use to upgrade all IMS Version 12 and IMS Version 13 RECON records to an IMS 14 level. You do not need to shut down other IMS subsystems that share the RECON data set, although they might have to wait for the command to complete.

**Restriction:** You can issue the CHANGE.RECON UPGRADE command using the Database Recovery Control utility (DSPURX00) or the DBRC application programming interface. You cannot issue it from an online IMS.

**Attention:** Jobs such as utility programs (for example, DSPURX00), which do not create subsystem records and which access the RECON data set, are not protected from having the RECON data set upgraded while they are running an IMS release without the appropriate IMS 14 SPE applied. Their next RECON access might have unpredictable results. Ensure that no such jobs are active when entering the CHANGE.RECON UPGRADE command.

**Recommendations:**

- Before running the CHANGE.RECON UPGRADE command against the production RECON data sets, upgrade a copy of the production RECON data set to verify that the upgrade will complete successfully. A CHANGE.RECON UPGRADE CHECKUP command can also be run against a copy of the production RECON data set or against the production RECON data set.
- Large numbers of CA/CI splits in the RECON data sets impact performance with so many RECON records increasing in size. Maintain the RECON data sets to delete records that are no longer needed. Ensure that secondary extents are available so that the RECON data sets do not run out of space during the upgrade. Upgrade the RECON at a time when there is minimal activity against the RECON data sets. Upgrade a backup copy of the production RECON as a test to determine how long the upgrade will take at your site.

The CHANGE.RECON UPGRADE command upgrades the RECON data set in two stages: first, Copy 1, and then Copy 2.

Message DSP025II indicates the beginning of the first stage. A failure during this stage for RECON data sets that are using serial access causes DBRC to reconfigure the RECON data sets, discarding Copy 1. If a failure occurs during

the first stage with serial access, you need to rerun the CHANGE.RECON UPGRADE command. A failure during the first stage for RECON data sets that are using parallel access causes DBRC to back out any changes, and the command is retried.

After successful completion of the first stage, message DSP0252I indicates that the second stage is beginning. Any failure during this stage causes DBRC to reconfigure the RECON data sets, discarding Copy 2. However, if there is a failure during the second stage, you do not need to rerun the CHANGE.RECON UPGRADE command.

You can use the CHANGE.RECON UPGRADE command in either nonconcurrent or concurrent mode. The mode is determined by the environment at the time you issue the command.

#### **Nonconcurrent mode**

No other jobs are currently accessing the RECON data set.

Before issuing the CHANGE.RECON UPGRADE command, create a backup copy of the RECON data set in case the upgrade and the RECON recovery procedures fail. The procedures can fail if you have not allocated two RECON data sets and a spare.

#### **Concurrent mode**

Other jobs are currently accessing the RECON data set. These jobs can be either IMS Version 12 and IMS Version 13 and must have the respective IMS 14 SPE applied. Message DSP1113A is issued for any subsystem that does not have the appropriate coexistence SPE applied. Two RECON data sets plus a spare must be allocated for a concurrent upgrade.

#### **CHECKUP**

Optional keyword that you use with the UPGRADE keyword to check the status of the RECON data set and records to verify if the RECON data set is in a state that allows upgrade. No RECON data set records are changed as a result of executing the CHANGE.RECON UPGRADE CHECKUP command. After upgrading a backup copy of the production RECON data sets, this command can be used prior to actually upgrading the production RECON data sets to ensure conditions have not changed that would prevent the RECON data set from being upgraded. You do not need to shut down IMS subsystems that share the RECON data set, although they might have to wait for the command to complete.

**Recommendation:** Run a CHANGE.RECON UPGRADE CHECKUP command against a copy of the production RECON data set prior to issuing the command against the production RECON data set to understand any possible performance considerations.

When a CHANGE.RECON UPGRADE CHECKUP command is started, message DSP1238I is issued. If the command completes successfully with no errors encountered that would prevent upgrade, message DSP1239I is issued and return code 0 is set. If the command completes successfully and errors are encountered that would prevent an upgrade, message DSP1240E is issued and return code 12 is set.

Additional messages are issued to indicate any errors found, such as DSP1236E or DSP1113A.

Since RECON data set records are not upgraded when the CHECKUP keyword is included in the CHANGE.RECON UPGRADE command,

upgrading the RECON data sets later could fail for other reasons, such as running out of space in the RECON data set.

Do not specify the UPGRADE and CHECKUP keywords with any other keywords on this command. If a CHANGE.RECON UPGRADE CHECKUP command includes additional keywords, the UPGRADE and CHECKUP keywords are processed first. The RECON data sets are not upgraded. If any additional keywords are included, the attempt to open the RECON data sets that are not upgraded fails.

## Usage notes

If parallel RECON access is used, RECON activity for all DBRC instances is quiesced. A check for the existence of retained locks related to the Copy1 or Copy2 of the RECON data sets is completed before RECON upgrade is invoked. If any retained locks exist, message DSP0383A is issued and the RECON upgrade fails.

In parallel RECON access mode, any retained locks that exist for the RECON data sets must be resolved. Ensure that the SMS server (SMSVSAM) is active and Transactional VSAM (TVS) is active on all processors and resubmit the command.

DBRC accesses the database definitions stored in the DBDLIB while processing the NOTIFY.REORG, CHANGE.PART, CHANGE.DBDS, INIT.PART, INIT.DB and INIT.DBDS commands. DBRC needs to access the IMS catalog when the directory is enabled instead of the DBDLIB because it may not contain the database definitions for a database defined with DDL.

The RECON contains a new catalog name. This name will be defined indicating the DBRC is using the directory instead of the DBDLIB for commands that need to reference the database definition. This catalog name can be set on the CHANGE.RECON command as the default. The catalog name is not required; if it is not present then DBRC will continue to expect the IMS DD to contain the DBDLIB.

## Example of updating the RECON header record

Here are some examples of using the CHANGE.RECON command.

### *Example 1 for CHANGE.RECON command*

```
//CHGRECON JOB
:
//SYSIN DD *
CHANGE.RECON SSID(IMSB) FORCER LOGRET('007')
/*
```

In this example, you are forcing all databases to be registered, changing the default subsystem ID to IMSB, and changing the log retention period to 7 days.

### *Example 2 for CHANGE.RECON command*

```
//CHGRECON JOB
:
//SYSIN DD *
CHANGE.RECON CMDAUTH(SAF,SAFHLQ1,IMSTESTS.DSHR)
/*
```

In this example, if the RECON COPY1 data set name is IMSTESTS.DSHR.RECON1, DBRC command authorization security will remain enforced for any future access attempts on the RECON data set, because the *rcnqual* value of “IMSTESTS.DSHR” is a substring of the RECON COPY1 data set name IMSTESTS.DSHR.RECON1.

If you copy this RECON data set into a data set whose name has COPYDSHR as the second level qualifier, DBRC command authorization security will be disabled for any future access attempts on the RECON data set, because when the copy is made, the RECON COPY1 data set name is changed to IMSTESTS.COPYDSHR.RECON1, which no longer contains the *rcnqual* string value of “IMSTESTS.DSHR”.

**Example 3 for CHANGE.RECON command**

```
//CHNGRCON JOB
:
//RECON1 DD DSN=ILOVE.IMS.SAIDPAT.RECON1,DISP=SHR
//RECON2 DD DSN=ILOVE.IMS.SAIDPAT.RECON2,DISP=SHR
//SYSIN DD *
CHANGE.RECON CATALOG(DFSCD000)
```

**Related concepts:**

➡ Repairing the RECON data sets (System Administration)

**Related reference:**

“DELETE.LOG command (for RLDS and SLDS)” on page 182

“DBRC time stamps” on page 52

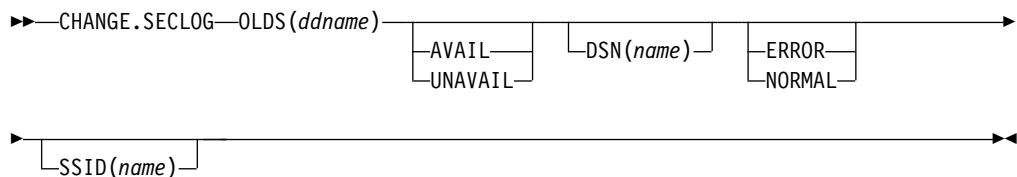
## CHANGE.SECLOG OLDS command

Use the CHANGE.SECLOG OLDS command to change information about a secondary online data set (SECOLDS) in the RECON data set.

Subsections:

- “Syntax”
- “Keywords” on page 139
- “Example showing a SECOLDS error” on page 139

### Syntax



**Attention:** For this command you must specify the OLDS keyword. If OLDS is not specified, DBRC will default to processing an RLDS, which will not provide the desired results.

## Keywords

### **OLDS**(*ddname*)

Required keyword you use to specify the OLDS for which the RECON record is to be changed. Failure to specify this keyword results in an RLDS being changed.

### **AVAIL** | **UNAVAIL**

Mutually exclusive, optional keywords you use to change the SECOLDS to indicate its availability.

#### **AVAIL**

Indicates that the OLDS contains valid data and that it can be used as input to the Log Archive utility.

#### **UNAVAIL**

Indicates that the OLDS contains invalid data and it should not be used as input to the Log Archive utility.

### **DSN**(*name*)

Optional keyword you use to change the name of a secondary OLDS. The name you substitute in the variable field can be up to 44 characters long.

### **ERROR** | **NORMAL**

Mutually exclusive, optional keywords you use to change the specified SECOLDS record to indicate whether it contains errors.

#### **ERROR**

Changes the RECON record to indicate that a specified OLDS contains errors, so IMS is unable to close the OLDS properly. The OLDS must be closed before it can be used as input to the Log Archive utility.

When you use dual logging, you use ERROR to change a specified SECOLDS record to indicate that it contains errors. The subsystem uses the data in the error-free OLDS to close the OLDS that is marked ERROR.

#### **NORMAL**

Changes the SECOLDS record, which was previously marked as containing errors, to indicate that the data set is now available for use as input to any log utility. When you specify NORMAL for a secondary OLDS, the record immediately indicates that the next primary OLDS is no longer needed in order to close the corresponding primary OLDS.

### **SSID**(*name*)

Optional keyword you use to specify the name of the IMS subsystem that created the OLDS for which the RECON record is to be changed.

The SSID is an 8-character string consisting of any alphanumeric characters that comprise a valid IMS subsystem identification name. If you do not specify SSID, DBRC uses the default subsystem identifier in the RECON header record. Use the INIT.RECON or CHANGE.RECON command to set the default subsystem identifier in the RECON header record. If you have not specified a default in the RECON header record, you must specify SSID.

## Example showing a SECOLDS error

In this example, a SECOLDS that IMS online subsystem IMSA created is known to be in error.

```

//CHGSECLG JOB
:
//SYSIN DD *
CHANGE.SECLOG RLDS(DFSOLS02) -
                SSID(IMSA) ERROR
/*

```

## CHANGE.SECLOG RLDS command

Use the CHANGE.SECLOG RLDS command to change information about a primary RLDS (or an SLDS that a batch subsystem created) in the RECON data set.

Use the NOTIFY.SECLOG command (for RLDS) to add a SECLOG record or to add data set entries to an existing SECLOG record.

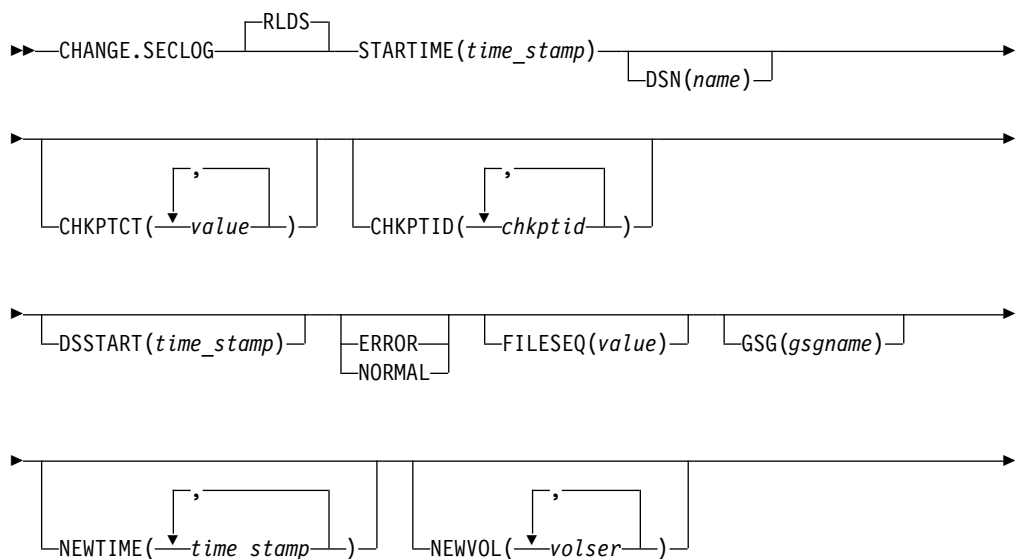
With the exception of the GSG name, all the information you can change resides in a data set entry of the SECLOG record. Each CHANGE.SECLOG command you issue changes only one data set entry. If the log has multiple data sets, you must use the DSSTART keyword to identify the data set entry to be changed. (Note that if you are only changing the GSG you must still specify DSSTART if the log has more than one data set.)

If the SECLOG record represents log data that was received by an RSR tracking site from an active IMS subsystem, none of the keywords FILESEQ, NEWTIME, NEWVOL, OLDVOL, RUNTIMES, CHKPTID, UNIT, or VOLLIST can be specified. Log data sets received at a tracking site must be cataloged.

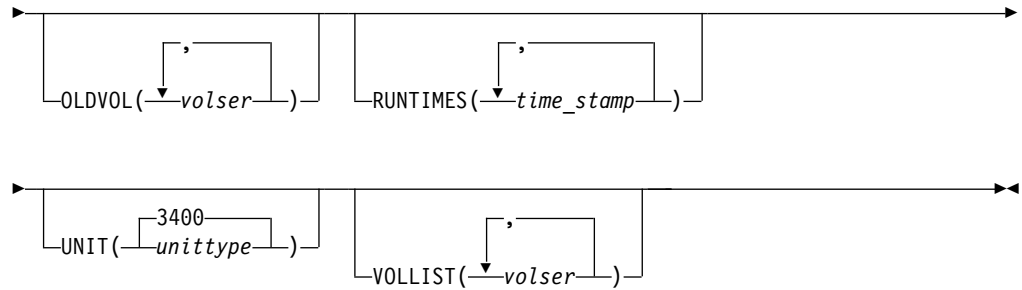
Subsections:

- "Syntax"
- "Keywords" on page 141
- "Examples of using the CHANGE.SECLOG RLDS command" on page 144

### Syntax







## Keywords

### RLDS

Is the keyword you can use to specify that a SECLOG record is to be changed. Since RLDS is the default, if you do not specify a record type as the first keyword for CHANGE.SECLOG, RLDS is assumed.

### STARTIME(*time\_stamp*)

Required keyword you use to specify the starting time stamp of the SECLOG record that is to be changed. The time stamp must be in standard form.

### DSN(*name*)

Optional keyword you use to change data set name. *name* can be up to 44 characters.

### CHKPTCT(*value*)

Optional keyword you use to change the number of checkpoints completed on each volume of the data set. Specify a value for each volume designated in the OLDVOL or NEWVOL keywords. If OLDVOL is specified without NEWVOL, the number of values for CHKPTCT equals the number of volume serial numbers that appear with OLDVOL. If NEWVOL is specified, the number of values for CHKPTCT equals the number of volume serial numbers that appear in NEWVOL.

The values for CHKPTCT are:

- 0 No checkpoints on the volume
- 1 A single checkpoint on the volume
- 2 More than one checkpoint on the volume

### CHKPTID(*chkptid*)

Optional keyword you use to change the oldest checkpoint ID for any active PST on each volume of the data set. Specify one checkpoint ID for each volume listed in OLDVOL or NEWVOL. If OLDVOL is specified without NEWVOL, the number of checkpoint IDs equals the number of volumes listed in OLDVOL. If NEWVOL is specified, the number of checkpoint IDs equals the number of volumes listed in NEWVOL.

The checkpoint ID must be in standard form for a time stamp. You can specify a zero time value.

### DSSTART(*time\_stamp*)

Is a keyword you use to specify the starting time of the data set entry to be changed. The DSSTART keyword is required if the SECLOG has multiple data set entries; it is optional if the SECLOG has only one data set entry. The time stamp must be in standard form.

**ERROR | NORMAL**

Mutually exclusive, optional keywords you use to change the data set entry to indicate whether it contains errors.

**ERROR**

Optional keyword you use to change the data set to indicate that it contains errors and should not be used as input to any DBRC-controlled run of a recovery utility.

**NORMAL**

Optional keyword you use to change a data set which was previously marked as containing errors to indicate that it is now available for use as input to any recovery utility.

DBRC selects the required log data sets from the PRILOG (or SECLOG) records. These can contain RLDS entries, SLDS entries, or both. If you issue a CHANGE.PRILOG RLDS ERROR command, DBRC automatically uses the corresponding SECLOG entry, if one exists. If a SECLOG entry does not exist, or if it is marked in error, the GENJCL commands that require log data for this time frame fail.

**FILESEQ(*value*)**

Optional keyword you use to specify the file sequence number on the volume. Specify this keyword only if you specify a VOLLIST keyword. The value you substitute in the variable field must be a decimal number from 1 to 9999.

**GSG(*gsgname*)**

Optional keyword you use to change the global service group (GSG) name in the SECLOG record.

**NEWTIME(*time\_stamp*)**

Optional keyword you use to change the stop times of any but the last volume of the data set. If you specify NEWTIME, you must also specify OLDVOL and NEWVOL. The following keyword sets are mutually exclusive:

- NEWTIME, NEWVOL, OLDVOL
- RUNTIMES, VOLLIST

If you specify NEWTIME, you must specify one less time stamp than the number of volume serial numbers specified in NEWVOL. This is because the stop time of the last volume specified in NEWVOL cannot be changed with this command. Each time stamp is used as the volume stop time of the corresponding volume serial number specified by NEWVOL. If not specified, the stop time of the new volume is the same as the stop time of the last-specified old volume.

Each time stamp you specify must be greater than the previous time stamp. The first time stamp in NEWTIME must be greater than or equal to the stop time of the volume immediately preceding the changed volumes. Each time stamp must be in standard form.

**NEWVOL(*volser*)**

Optional keyword you use to change the volume serial number of one or more volumes of the data set. If you specify NEWVOL, you must also specify OLDVOL. The following keyword sets are mutually exclusive:

- NEWTIME, NEWVOL, OLDVOL
- RUNTIMES, VOLLIST

The volume serial numbers you specify in NEWVOL replace the corresponding volume serial numbers specified in the OLDVOL keyword. You do not need to specify the same number of volume serial numbers in NEWVOL and

OLDVOL. You cannot specify a volume serial number in NEWVOL that is the same as one which already exists in the SECLOG record.

You can specify from 1 to 255 volume serial numbers.

Use the NEWTIME keyword to change the time stamps as well as the serial numbers of the volumes.

#### **OLDVOL**(*volser*)

Optional keyword you use to change the volume serial number of one or more volumes of the data set. If you specify OLDVOL, you must also specify one of the following: NEWVOL, CHKPTCT, or CHKPTID.

The volume serial numbers you specify are those of the volumes being changed. Each volume serial number specified in OLDVOL must match a volume serial number in the SECLOG record.

You can specify from 1 to 255 volume serial numbers.

#### **RUNTIMES**(*time\_stamp*)

Optional keyword you use to change the stop times of any but the last volume of the data set. This keyword is provided for compatibility with previous releases of DBRC. Use the NEWTIME, OLDVOL, and NEWVOL keyword set to change the stop times of log volumes. If you do specify RUNTIMES, you must also specify VOLLIST. The following keyword sets are mutually exclusive:

- NEWTIME, NEWVOL, OLDVOL
- RUNTIMES, VOLLIST

You can specify up to 255 time stamps on the RUNTIMES keyword. Each time stamp must be in standard form.

Each time stamp in the variable field must correspond to a volume in the variable field of the VOLLIST keyword. The variable fields of the RUNTIMES and VOLLIST keywords must each contain the same number of entries. Each time stamp in the variable field of the RUNTIMES keyword must be greater than the previous time stamp.

The first time stamp in the variable field of the RUNTIMES keyword must be greater than the time stamp specified for the STARTIME keyword. The last time stamp in the variable field of the RUNTIMES keyword must be equal to the stop time of the corresponding secondary RLDS as specified in the record being changed. You cannot use this command to change the stop time of the secondary RLDS.

#### **UNIT**(**3400** | *unittype*)

Optional keyword you use to change the unit type of the device on which the data set resides. The unit type can be up to 8 alphanumeric characters long.

#### **VOLLIST**(*volser*)

Optional keyword you use to change the record of the volume serial numbers of the volumes that contain the data set. This keyword is provided for compatibility with previous releases of DBRC. Use the NEWTIME, OLDVOL, and NEWVOL keyword set to change the volume serial numbers of volumes in the data set.

If you specify the VOLLIST keyword, you must also specify the RUNTIMES keyword. See the description of the RUNTIMES keyword for an explanation of how the two keywords interact. The following keyword sets are mutually exclusive:

- NEWTIME, NEWVOL, OLDVOL
- RUNTIMES, VOLLIST

## Examples of using the CHANGE.SECLOG RLDS command

Here are some examples of using the CHANGE.SECLOG RLDS command.

### *Example of changing volume serial numbers*

In this example, some volume serial numbers are changed. The example SECLOG record in the RECON data set has one data set with six volumes—VOL001, VOL002, VOL003, VOL004, VOL005, and VOL006—and a start time of 07233124329923456. The serial numbers of the third and fourth volumes are replaced with three others by the following command:

```
//CHGSECLG JOB
:
//SYSIN DD *
CHANGE.SECLOG RLDS STARTIME(07233124329923456) -
                OLDVOL(VOL003,VOL004) -
                NEWVOL(VOL007,VOL008,VOL009)
/*
```

### *Example of changing volume stop times*

In this example, STARTIME identifies the SECLOG record and DSSTART identifies its first data set entry, of which the data set name and the stop times of three volumes are to be changed.

```
//CHGSECLG JOB
:
//SYSIN DD *
CHANGE.SECLOG RLDS STARTIME(07054121212023456) -
                DSSTART(07054121212023456) -
                DSN(IMS.SECLOG.SEC001.DSN) -
                VOLLIST(VOL001,VOL002,VOL993) -
                RUNTIMES(070541212122,070541313133,070541515150)
/*
```

#### **Related reference:**

“DBRC time stamps” on page 52

“NOTIFY.PRILOG command (for RLDS)” on page 383

---

## CHANGE.SECLOG SLDS command

Use the CHANGE.SECLOG SLDS command to change information in the RECON data set about a secondary SLDS for an online system.

Use the CHANGE.SECLOG RLDS command to change information about an SLDS that a batch subsystem created, because DBRC considers such data to be an RLDS. Use the NOTIFY.SECLOG SLDS command to add a SECSLD record or to add data set entries to an existing SECSLD record.

All the information you can change resides in a data set entry of the SECSLD record. Each CHANGE.SECLOG command you issue changes only one data set entry. If the log has multiple data sets, you must use the DSSTART keyword to identify the data set entry to be changed.

With the exception of the GSG name, all the information you can change resides in a data set entry of the SECSLD record. Each CHANGE.SECLOG command you issue changes only one data set entry. If the log has multiple data sets, you must

use the DSSTART keyword to identify the data set entry to be changed. (Note that if you are only changing the GSG, you must still specify DSSTART if the log has more than one data set.)

If the SECSLD record represents log data that was received by an RSR tracking site from an active IMS subsystem, none of the keywords FILESEQ, NEWTIME, NEWVOL, OLDVOL, RUNTIMES, CHKPTID, UNIT, or VOLLIST can be specified. Log data sets received at a tracking site must be cataloged.

Subsections:

- "Syntax"
- "Keywords"
- "Examples of using the CHANGE.SECLOG SLDS command" on page 148

## Syntax



**Attention:** For this command you must specify the SLDS keyword. If SLDS is not specified, DBRC will default to processing an RLDS, which will not provide the desired results.

## Keywords

### SLDS

Required parameter you use to specify that a SECSLD record is to be changed.

### STARTIME(*time\_stamp*)

Required keyword you use to specify the starting time stamp of the SECSLD record that is to be changed. The time stamp must be in standard form.

**DSN(*name*)**

Optional keyword you use to change data set name. *name* can be up to 44 characters.

**CHKPTCT(*value*)**

Optional keyword you use to change the number of checkpoints completed on each volume of the data set. Specify a value for each volume designated in the OLDDVOL or NEWVOL keywords. If OLDDVOL is specified without NEWVOL, the number of values for CHKPTCT equals the number of volume serial numbers that appear with OLDDVOL. If NEWVOL is specified, the number of values for CHKPTCT equals the number of volume serial numbers that appear in NEWVOL.

The values for CHKPTCT are:

- 0 No checkpoints on the volume
- 1 A single checkpoint on the volume
- 2 More than one checkpoint on the volume

**CHKPTID(*chkptid*)**

Optional keyword you use to change the oldest checkpoint ID for any active PST on each volume of the data set. Specify one checkpoint ID for each volume listed in OLDDVOL or NEWVOL. If OLDDVOL is specified without NEWVOL, the number of checkpoint IDs equals the number of volumes listed in OLDDVOL. If NEWVOL is specified, the number of checkpoint IDs equals the number of volumes listed in NEWVOL.

The checkpoint ID must be in standard form for a time stamp. You can specify a zero time value.

**DSSTART(*time\_stamp*)**

Is a keyword you use to specify the starting time of the data set entry to be changed.

The DSSTART keyword is required if the SECSLD or SECTSLDS has multiple data set entries. The keyword is optional if the SECSLD or SECTSLDS has only one data set entry.

The time stamp must be in standard form.

**ERROR | NORMAL**

Mutually exclusive, optional keywords you use to change the data set entry to indicate whether it contains errors.

**ERROR**

Is used to change the data set entry to indicate that it contains errors.

**NORMAL**

Is used to change a data set entry which was previously marked as containing errors to indicate that it is normal.

DBRC selects the required log data sets from the PRILOG (or SECLOG) records. These can contain RLDS entries, SLDS entries, or both. If you issue a CHANGE.PRILOG SLDS ERROR command, DBRC automatically uses the corresponding SECLOG entry, if one exists. If a SECLOG entry does not exist, or if it is marked in error, the GENJCL commands that require log data for this time frame fail.

**FILESEQ(*value*)**

Optional keyword you use to specify the file sequence number on the volume.

Specify this keyword only if you specify a VOLLIST keyword. The value you substitute in the variable field must be a decimal number from 1 to 9999.

**GSG(*gsgname*)**

Optional keyword you use to change the global service group (GSG) name in the SECSLD record. GSG cannot be specified for SECTSLDS records.

**NEWTIME(*time\_stamp*)**

Optional keyword you use to change the stop times of any but the last volume of the data set. When you specify NEWTIME, you must also specify OLDVOL and NEWVOL. The following keyword sets are mutually exclusive:

- NEWTIME, NEWVOL, OLDVOL
- RUNTIMES, VOLLIST

When you specify NEWTIME, you must specify one less time stamp than the number of volume serial numbers specified in NEWVOL. This is because the stop time of the last volume specified in NEWVOL cannot be changed with this command. Each time stamp is used as the volume stop time of the corresponding volume serial number specified by NEWVOL. If not specified, the stop time of the new volume is the same as the stop time of the last—specified old volume.

Each time stamp you specify must be greater than the previous time stamp. The first time stamp in NEWTIME must be greater than or equal to the stop time of the volume prior to the changed volumes. Each time stamp must be in standard form.

**NEWVOL(*volser*)**

Optional keyword you use to change the volume serial number of one or more volumes of the data set. When you specify NEWVOL, you must also specify OLDVOL. The following keyword sets are mutually exclusive:

- NEWTIME, NEWVOL, OLDVOL
- RUNTIMES, VOLLIST

The volume serial numbers you specify in NEWVOL replace the corresponding volume serial numbers specified in the OLDVOL keyword. You do not need to specify the same number of volume serial numbers in NEWVOL and OLDVOL.

You cannot specify a volume serial number in NEWVOL that is the same as one that already exists in the SECSLD or SECTSLDS record.

You can specify from 1 to 255 volume serial numbers.

Use the NEWTIME keyword if you want to change the time stamps as well as the serial numbers of the volumes.

**OLDVOL(*volser*)**

Optional keyword you use to change the volume serial number of one or more volumes of the secondary SLDS or TSLDS.

The volume serial numbers you specify are those of the volumes to be changed. Each volume serial number specified must match a volume serial number in the SECSLD or SECTSLDS record.

When you specify OLDVOL, you must also specify one of the following: NEWVOL, CHKPTCT, or CHKPTID.

You can specify from 1 to 255 volume serial numbers.

**RUNTIMES(*time\_stamp*)**

Optional keyword you use to change the stop times of any but the last volume of the data set. This keyword is provided for compatibility with previous

releases of DBRC. Use the NEWTIME, OLDVOL, and NEWVOL keyword set to change the stop times of log volumes. If you do specify RUNTIMES, you must also specify VOLLIST. The following keyword sets are mutually exclusive:

- NEWTIME, NEWVOL, OLDVOL
- RUNTIMES, VOLLIST

You can specify up to 255 time stamps on the RUNTIMES keyword. Each time stamp must be in standard form.

Each time stamp in the variable field must correspond to a volume in the variable field of the VOLLIST keyword. The variable fields of the RUNTIMES and VOLLIST keywords must each contain the same number of entries. Each time stamp in the variable field of the RUNTIMES keyword must be greater than the previous time stamp.

The first time stamp in the variable field of the RUNTIMES keyword must be greater than the time stamp specified for the STARTIME keyword. The last time stamp in the variable field of the RUNTIMES keyword must be equal to the stop time of the corresponding secondary SLDS or TSLDS as specified in the record being changed. You cannot use this command to change the stop time of the secondary SLDS or TSLDS.

#### **SSID(*name*)**

Optional keyword you use to specify the name of the IMS subsystem that created the SLDS or TSLDS for which the RECON record is to be changed.

The SSID is an eight-character string consisting of any alphanumeric characters that describe a valid IMS subsystem identification name. If you do not specify SSID, DBRC uses the default subsystem identifier in the RECON header record. Use the INIT.SECLOG or CHANGE.SECLOG command to set the default subsystem identifier in the RECON header record. If you have not specified a default in the RECON header record, you must specify SSID.

#### **UNIT(3400 | *unittype*)**

Optional keyword you use to change the unit type of the device on which the data set resides. The unit type can be up to 8 alphanumeric characters long.

#### **VOLLIST(*volser*)**

Optional keyword you use to change the record of the volume serial numbers of the volumes that contain the data set. This keyword is provided for compatibility with previous releases of DBRC. You should use the new keyword set, NEWTIME OLDVOL NEWVOL, to change the volume serial numbers of volumes in the data set.

If you specify the VOLLIST keyword, you must also specify the RUNTIMES keyword. See the above description of the RUNTIMES keyword for an explanation of how the two keywords interact. The following keyword sets are mutually exclusive:

- NEWTIME, NEWVOL, OLDVOL
- RUNTIMES, VOLLIST

## **Examples of using the CHANGE.SECLOG SLDS command**

Here are some examples of using the CHANGE.SECLOG SLDS command.

### *Example of changing volume serial numbers and stop time*

In this example, some volume serial numbers and a volume stop time of an SECSLD are changed. The example SECSLD record in the RECON data set has six



volumes (VOL001, VOL002, VOL003, VOL004, VOL005, and VOL006) and a start time of 07233124329923456. The fourth volume has been copied to new volumes VOL007 and VOL008 with the new volume stop time 07233124832523456 for VOL007. The SECSLD record is updated with the following command:

```
//CHGPRILG JOB
:
//SYSIN DD *
CHANGE.SECLOG SLDS STARTIME(07233124329923456) -
               OLDVOL(VOL004) -
               NEWVOL(VOL007,VOL008) -
               NEWTIME(07233124832523456)
/*
```

### *Example of marking the secondary SLDS as normal*

In this example, the first and only data set of a secondary SLDS is being marked as normal.

```
//CHGPRILG JOB
:
//SYSIN DD *
CHANGE.SECLOG SLDS STARTIME(07054121212023456) -
               DSSTART(07054121212023456) NORMAL
/*
```

#### **Related reference:**

“DBRC time stamps” on page 52

“NOTIFY.PRILOG command (for SLDS and TSLDS)” on page 388

---

## **CHANGE.SECLOG TSLDS command**

Use the CHANGE.SECLOG TSLDS command to change information in the RECON data set about a secondary SLDS for an RSR tracking subsystem.

Use the CHANGE.SECLOG RLDS command to change information about an SLDS that a batch subsystem created, because DBRC considers such data to be an RLDS. Use the NOTIFY.SECLOG SLDS command to add a SECSLD record or to add data set entries to an existing SECSLD record.

All the information you can change resides in a data set entry of the SECSLD record. Each CHANGE.SECLOG command you issue changes only one data set entry. If the log has multiple data sets, you must use the DSSTART keyword to identify the data set entry to be changed.

If the SECSLD record represents log data that was received by an RSR tracking site from an active IMS subsystem, none of the keywords FILESEQ, NEWTIME, NEWVOL, OLDVOL, RUNTIMES, CHKPTID, UNIT, or VOLLIST can be specified. Log data sets received at a tracking site must be cataloged.

Subsections:

- “Syntax” on page 150
- “Keywords” on page 150

## Syntax



**Attention:** For this command you must specify the TSLDS keyword. If TSLDS is not specified, DBRC will default to processing an RLDS, which will not provide the desired results.

## Keywords

### TSLDS

Required parameter you use to specify that a SECTSLDS record is to be changed at an RSR tracking subsystem.

### STARTIME(*time\_stamp*)

Required keyword you use to specify the starting time stamp of the SECSLD record that is to be changed. The time stamp must be in standard form.

### DSN(*name*)

Optional keyword you use to change data set name. *name* can be up to 44 characters.

### CHKPTCT(*value*)

Optional keyword you use to change the number of checkpoints completed on each volume of the data set. Specify a value for each volume designated in the OLDVOL or NEWVOL keywords. If OLDVOL is specified without NEWVOL, the number of values for CHKPTCT equals the number of volume serial numbers that appear with OLDVOL. If NEWVOL is specified, the number of values for CHKPTCT equals the number of volume serial numbers that appear in NEWVOL.

The values for CHKPTCT are:

0 No checkpoints on the volume

- 1 A single checkpoint on the volume
- 2 More than one checkpoint on the volume

**CHKPTID(*chkptid*)**

Optional keyword you use to change the oldest checkpoint ID for any active PST on each volume of the data set. Specify one checkpoint ID for each volume listed in OLDVOL or NEWVOL. If OLDVOL is specified without NEWVOL, the number of checkpoint IDs equals the number of volumes listed in OLDVOL. If NEWVOL is specified, the number of checkpoint IDs equals the number of volumes listed in NEWVOL.

The checkpoint ID must be in standard form for a time stamp. You can specify a zero time value.

**DSSTART(*time\_stamp*)**

Is a keyword you use to specify the starting time of the data set entry to be changed. The DSSTART keyword is required if the SECSLD or SECTSLDS has multiple data set entries. The keyword is optional if the SECSLD or SECTSLDS has only one data set entry. The time stamp must be in standard form.

**ERROR | NORMAL**

Mutually exclusive, optional keywords you use to change the data set entry to indicate whether it contains errors.

**ERROR**

Is used to change the data set entry to indicate that it contains errors.

**NORMAL**

Is used to change a data set entry which was previously marked as containing errors to indicate that it is normal.

DBRC selects the required log data sets from the PRILOG (or SECLOG) records. These can contain RLDS entries, SLDS entries, or both. If you issue a CHANGE.PRILOG TSLDS ERROR command, DBRC automatically uses the corresponding SECLOG entry, if one exists. If a SECLOG entry does not exist, or if it is marked in error, the GENJCL commands that require log data for this time frame fail.

**FILESEQ(*value*)**

Optional keyword you use to specify the file sequence number on the volume. Specify this keyword only if you specify a VOLLIST keyword. The value you substitute in the variable field must be a decimal number from 1 to 9999.

**NEWTIME(*time\_stamp*)**

Optional keyword you use to change the stop times of any but the last volume of the data set. When you specify NEWTIME, you must also specify OLDVOL and NEWVOL. The following keyword sets are mutually exclusive:

- NEWTIME, NEWVOL, OLDVOL
- RUNTIMES, VOLLIST

When you specify NEWTIME, you must specify one less time stamp than the number of volume serial numbers specified in NEWVOL. This is because the stop time of the last volume specified in NEWVOL cannot be changed with this command. Each time stamp is used as the volume stop time of the corresponding volume serial number specified by NEWVOL. If not specified, the stop time of the new volume is the same as the stop time of the last—specified old volume.

Each time stamp you specify must be greater than the previous time stamp. The first time stamp in NEWTIME must be greater than or equal to the stop time of the volume prior to the changed volumes. Each time stamp must be in standard form.

#### **NEWVOL(*volser*)**

Optional keyword you use to change the volume serial number of one or more volumes of the data set. When you specify NEWVOL, you must also specify OLDVOL. The following keyword sets are mutually exclusive:

- NEWTIME, NEWVOL, OLDVOL
- RUNTIMES, VOLLIST

The volume serial numbers you specify in NEWVOL replace the corresponding volume serial numbers specified in the OLDVOL keyword. You do not need to specify the same number of volume serial numbers in NEWVOL and OLDVOL. You cannot specify a volume serial number in NEWVOL that is the same as one that already exists in the SECSLD or SECTSLDS record.

You can specify from 1 to 255 volume serial numbers.

Use the NEWTIME keyword if you want to change the time stamps as well as the serial numbers of the volumes.

#### **OLDVOL(*volser*)**

Optional keyword you use to change the volume serial number of one or more volumes of the secondary SLDS or TSLDS. When you specify OLDVOL, you must also specify one of the following: NEWVOL, CHKPTCT, or CHKPTID.

The volume serial numbers you specify are those of the volumes to be changed. Each volume serial number specified must match a volume serial number in the SECSLD or SECTSLDS record.

You can specify from 1 to 255 volume serial numbers.

#### **RUNTIMES(*time\_stamp*)**

Optional keyword you use to change the stop times of any but the last volume of the data set. This keyword is provided for compatibility with previous releases of DBRC. Use the NEWTIME, OLDVOL, and NEWVOL keyword set to change the stop times of log volumes. If you do specify RUNTIMES, you must also specify VOLLIST. The following keyword sets are mutually exclusive:

- NEWTIME, NEWVOL, OLDVOL
- RUNTIMES, VOLLIST

You can specify up to 255 time stamps on the RUNTIMES keyword. Each time stamp must be in standard form.

Each time stamp in the variable field must correspond to a volume in the variable field of the VOLLIST keyword. The variable fields of the RUNTIMES and VOLLIST keywords must each contain the same number of entries. Each time stamp in the variable field of the RUNTIMES keyword must be greater than the previous time stamp.

The first time stamp in the variable field of the RUNTIMES keyword must be greater than the time stamp specified for the STARTIME keyword. The last time stamp in the variable field of the RUNTIMES keyword must be equal to the stop time of the corresponding secondary SLDS or TSLDS as specified in the record being changed. You cannot use this command to change the stop time of the secondary SLDS or TSLDS.

**SSID(*name*)**

Optional keyword you use to specify the name of the IMS subsystem that created the SLDS or TSLDS for which the RECON record is to be changed.

The SSID is an eight-character string consisting of any alphanumeric characters that describe a valid IMS subsystem identification name. If you do not specify SSID, DBRC uses the default subsystem identifier in the RECON header record. Use the INIT.SECLOG or CHANGE.SECLOG command to set the default subsystem identifier in the RECON header record. If you have not specified a default in the RECON header record, you must specify SSID.

**UNIT(3400 | *unittype*)**

Optional keyword you use to change the unit type of the device on which the data set resides. The unit type can be up to 8 alphanumeric characters long.

**VOLLIST(*volser*)**

Optional keyword you use to change the record of the volume serial numbers of the volumes that contain the data set. This keyword is provided for compatibility with previous releases of DBRC. You should use the new keyword set, NEWTIME OLDVOL NEWVOL, to change the volume serial numbers of volumes in the data set.

If you specify the VOLLIST keyword, you must also specify the RUNTIMES keyword. See the above description of the RUNTIMES keyword for an explanation of how the two keywords interact. The following keyword sets are mutually exclusive:

- NEWTIME, NEWVOL, OLDVOL
- RUNTIMES, VOLLIST

**Related reference:**

“DBRC time stamps” on page 52

“NOTIFY.PRILOG command (for SLDS and TSLDS)” on page 388

## CHANGE.SG command

Use a CHANGE.SG command to change the role of a service group (SG). The role of a service group cannot be changed while a subsystem is signed on to its global service group.

This command fails if RSRFEAT=NO is specified in the IMSCTRL macro.

If two SG entries are present at the time this command is issued, the other SG is assigned the complementary attributes of the SG that is named in the command.

Subsections:

- “Syntax”
- “Keywords” on page 154
- “Example of changing the status of a service group” on page 154

### Syntax

►► CHANGE.SG—SGNAME(*sname*)—GSGNAME(*gsname*)—  
ACTIVE LOCAL  
TRACKING NONLOCAL►

## Keywords

### **SGNAME**(*sgname*)

Required keyword you use to specify the service group name.

### **GSGNAME**(*gsgname*)

Required keyword you use to specify the global service group name.

### **ACTIVE | TRACKING**

Optional keyword you use to specify the new role of the service group.

#### **ACTIVE**

Indicates that the service group is an active site.

#### **TRACKING**

Indicates that the service group is a tracking site.

### **LOCAL | NONLOCAL**

Optional keyword you use to specify whether the service group is local or nonlocal for this set of RECON data sets.

### **NORTA**

Optional keyword you use to specify that you do not want to continue a remote takeover that is currently in progress. This keyword turns off takeover indicators in the RECON data set. This keyword is valid for either the active or tracking subsystem.

When you specify the NORTA keyword, you must specify the appropriate status keyword (either ACTIVE or TRACKING), and you cannot specify the LOCALE keyword (LOCAL | NONLOCAL).

If you use NORTA when no remote takeover is in progress, message DSP0144I is issued. You should wait to receive a takeover-in-progress message before using NORTA.

## Example of changing the status of a service group

In this example, the Service Group's role or status is changed to ACTIVE.

```
//CHGSG   JOB
:
//SYSIN DD *
CHANGE.SG SGNAME() GSGNAME(GSG1) ACTIVE
/*
```

In this example, SG1 is changed to a tracking role:

```
CHANGE.SG SGNAME(SG1) GSGNAME(GSG1) TRACKING
```

In this case, SG2 is automatically changed to an active role.

---

## CHANGE.SUBSYS command

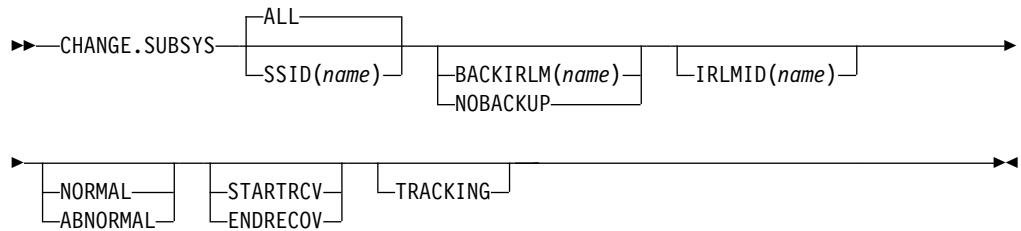
Use a CHANGE.SUBSYS command to modify information that is contained in a subsystem record in the RECON data set.

Subsections:

- "Syntax" on page 155

- “Keywords”
- “Example of identifying the IRLM” on page 156

## Syntax



## Keywords

### **ALL** | **SSID(name)**

Optional keywords you use to specify the subsystem you are using. The SSID is an eight-character string consisting of any alphanumeric characters that comprise a valid z/OS or IMS subsystem identification name. ALL is the default, which will process this command for every subsystem that communicates with the specified Internal Resource Lock Manager (IRLM).

### **BACKIRLM(name)** | **NOBACKUP**

Mutually exclusive, optional keywords you use to change the specification of the alternate subsystem.

#### **BACKIRLM**

Adds an alternate subsystem IRLM ID to the active subsystem record. When you specify BACKIRLM, you must also specify IRLMID. DBRC locates the specified subsystem record and adds or changes the IRLM ID of the alternate subsystem.

#### **NOBACKUP**

Deletes the IRLM ID of the alternate subsystem from the active subsystem record. This also resets the flags in the subsystem record to indicate that the alternate subsystem is signed on. This command might be required prior to restarting the alternate subsystem.

**Restriction:** You cannot use NORMAL or ABNORMAL, or STARTRCV or ENDRECOV with either of these keywords.

### **IRLMID(name)**

Optional keyword you use to specify the name of the IRLM with which the subsystem is communicating. The IRLMID is a five-character string consisting of any alphanumeric characters.

**Restriction:** You cannot change the IRLM ID. Specify the IRLM ID in order to change processing mode of a subsystem.

### **NORMAL** | **ABNORMAL**

Mutually exclusive, optional keywords you use to specify the status of the subsystem.

#### **NORMAL**

Specifies that normal processing is to continue for the subsystem.

### **ABNORMAL**

Indicates that the subsystem has abnormally ended. When ABNORMAL is specified, DBRC does the following:

- Removes authorization for any databases that have not been updated but are authorized for the specified subsystem.
- Flags the identified subsystem entry as having been abnormally ended.
- Turns off the recovery-processing-started flag.
- If the subsystem is batch and no databases were updated, then the subsystem record is deleted.

Do not specify ABNORMAL unless the subsystem terminated abnormally and was unable to communicate the failure to DBRC.

**Restriction:** If you specify STARTRCV or ENDRECOV, you cannot specify ABNORMAL.

### **STARTRCV | ENDRECOV**

Mutually exclusive, optional keywords you use to specify whether a signon recovery has completed successfully.

#### **STARTRCV**

Indicates a signon recovery start.

#### **ENDRECOV**

Removes authorization for all databases that the specified subsystem authorized.

If you want to delete all database authorizations from a subsystem, you must issue the CHANGE.SUBSYS STARTRCV command and then issue the CHANGE.SUBSYS ENDRECOV command. These two commands simulate the signon recovery start and signon recovery complete calls.

**Recommendation:** Do not use this sequence of commands unless an abnormal end occurred. Otherwise, you remove authorization for the databases that an active subsystem is currently using.

If, after using STARTRCV | ENDRECOV and DELETE.SUBSYS commands, subsystem information is still associated with the database, a CHANGE.DB command with the NOBACK keyword is required in order to clear the remaining subsystem ID from the database record.

### **TRACKING**

Specifies that information about the RSR tracking subsystem is to be changed.

**Restriction:** If you specify TRACKING, do not specify STARTRCV or ENDRECOV, because these keywords are not applicable to an RSR tracking subsystem.

### **Example of identifying the IRLM**

In this example, IRLMID identifies the IRLM that is communicating with the subsystem identified in the SSID keyword. In addition, ABNORMAL indicates that this subsystem abnormally ended.



```

//CHGSBSYS  JOB
:
//SYSIN      DD  *
CHANGE.SUBSYS IRLMID(IRLM2)  SSID(ISM34)  ABNORMAL
/*

```

---

## CHANGE.UIC command

Use a CHANGE.UIC command to modify information in the image copy record in the RECON data set that corresponds to a nonstandard image copy data set.

Subsections:

- “Syntax”
- “Keywords”
- “Example of changing the nonstandard ICDSN in the RECON data set” on page 158

### Syntax

```

▶▶ CHANGE.UIC DBD(name) DDN(name) RECTIME(time_stamp)
                AREA(name)
▶ STOPTIME(time_stamp) UDATA('string')

```

### Keywords

#### DBD(*name*)

Required keyword you use to identify the database name of the DBDS for which a nonstandard image copy data set exists.

**Restrictions for HALDB databases:** For HALDB databases, *name* specifies the name of a HALDB partition.

#### DDN(*name*) | AREA(*name*)

Mutually exclusive, required keywords you use to identify the name of the DBDS or area for which the nonstandard image copy data set exists.

#### RECTIME(*time\_stamp*)

Required keyword you use to identify the specific image copy record of the nonstandard image copy data set that is to be modified. Use the time stamp with an adjacent asterisk (\*) in a listing of the IMAGE record. The time stamp must be in standard form.

#### STOPTIME(*time\_stamp*)

Optional keyword that specifies the stop time of a concurrent image copy. The time stamp must be in standard form.

#### UDATA('string')

Required keyword you use to change the user data in the identified image copy record. *string* can be up to 80 characters. The *string* value must be enclosed in single quotation marks if blanks or any other special characters are included.

## Example of changing the nonstandard ICDSN in the RECON data set

In this example, information in the RECON data set about the nonstandard image copy data set identified by the RECTIME keyword is to be changed. The UDATA keyword specifies the new information that is to be recorded for the specified image copy data set.

```
//CHGUIC  JOB
:
//SYSIN  DD  *
          CHANGE.UIC  DBD(DBDKSDS1)  AREA(AREA003)  -
          RECTIME(07065101010023456)  -
          UDATA('DUMP OF VOLUME VOL001 AT 07065101010023456')
/*
```

### Related reference:

“DBRC time stamps” on page 52

---

## Chapter 11. CLEANUP.RECON command

Use the CLEANUP.RECON command to delete old or expired recovery-related information, change accumulation execution (CA) records, and log information from the RECON data set. Recovery-related information includes image copy, allocation, reorganization, and recovery records.

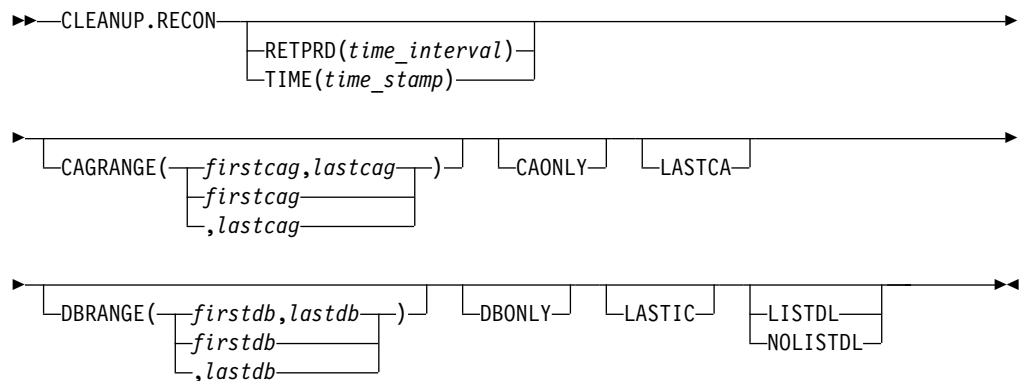
This command specifies the point in time up to which DBRC will delete database recovery-related information, change accumulation execution information, and log information from the RECON data set. To control the amount of time that is required to process this command, you can select the range of databases and change accumulation groups to be processed. This can be done with or without processing log information.

The CLEANUP.RECON command is supported only as a batch command.

Subsections:

- “Syntax”
- “Keywords”
- “Usage notes” on page 162
- “Examples of cleaning up information from the RECON data set” on page 162

### Syntax



### Keywords

The following keywords are valid for the CLEANUP.RECON command:

#### **RETPRD(*time\_interval*) | TIME(*time\_stamp*)**

Mutually exclusive optional parameters that specify either a retention period or an absolute time at which recovery-related information and log information in the RECON data set is to be deleted. If neither of these options is specified, the default log retention period is the LOGRET parameter value that is specified in the INIT.RECON command or the CHANGE.RECON command.

If the DBONLY option is not specified, PRILOG information will also be deleted. Unlike the DELETE.LOG INACTIVE command, which deletes an inactive PRILOG and its associated log records, log data will be deleted from

all PRILOGs, open and closed, up to each log's earliest database allocation record (ALLOC) time or the cleanup time, whichever is the oldest.

#### **RETPRD(*time\_interval*)**

Specifies that a time period or interval will be used to determine what is to be deleted. This could be thought of as an aging value where data older than this "age" will be deleted and data younger than this "age" will be retained.

The *time\_interval* is a partial, punctuated time stamp representing a time interval (days, hours, minutes, and seconds) rather than a date and time. The time stamp has the following format:

*ddd|hh|mm|ss|t*

where:

#### ***ddd***

The number of days (000 to 365)

#### ***hh***

The number of hours (0 to 23)

#### ***mm***

The number of minutes (0 to 59)

#### ***ss***

The number of seconds (0 to 59)

#### ***t***

The tenths of a second (0 to 9)

The punctuation for the time stamp, shown in the above format as a vertical bar ( | ), can be any non-numeric character, such as a period (.) or a comma (,). The time stamp must be enclosed in single quotes (') if it contains any blanks or special characters. The number of days must include any leading zeros. Valid intervals range from a tenth of a second to 365 days.

Because the time interval is treated as a time stamp, message DSP1048I might be issued for incorrect values. Some examples of valid time intervals include:

```
CLEANUP.RECON RETPRD(365)
CLEANUP.RECON RETPRD('030 12.00')
CLEANUP.RECON RETPRD('000 00:00:08.0')
CLEANUP.RECON RETPRD('000 00,00,00,1')
```

Two different valid formats for equivalent time stamp specifications are shown:

```
CLEANUP.RECON RETPRD('010 12,30') = 10 days, 12 hours, 30 minutes
CLEANUP.RECON RETPRD('010 12:30') = 10 days, 12 hours, 30 minutes
```

**Recommendation:** Ensure that an appropriate log retention period is specified so that log information is kept in the RECON data set for a long enough period of time. Certain IMS functions depend on log information in the RECON data set, and these functions might fail if that information is deleted too soon. For example, one or more of the following functions might fail:

- Dynamic backout
- Batch message processing (BMP) extended restart (XRST)
- Unit of work table entry (UOWE) resynchronization

#### **TIME(*time\_stamp*)**

Specifies that an absolute time stamp will be used to determine what is to be deleted. Only the data that is older than the time specified will be deleted.

**CAGRANGE(*firstcag*,*lastcag* | *firstcag* |,*lastcag*)**

Optional keyword that specifies that change accumulation data sets for a range of change accumulation (CA) groups are to have cleanup done. If this keyword is not specified, all CA groups are processed. Use this keyword to clean up change accumulation data sets for multiple change accumulation groups or to resume cleanup after a CLEANUP.RECON CAGRANGE command is stopped.

***firstcag*,*lastcag***

The upper and lower limits of the range of CA groups desired. These parameters do not need to match the name of a CA group in the RECON data set. They are used as the beginning and ending arguments in an alphabetic search.

***firstcag***

Name of the CA group from which RECON cleanup will begin processing change accumulation execution data sets. This CA group and all subsequent CA groups will be processed until the last group in the RECON data set is reached or until the CA group specified as the *lastcag* value is reached.

***lastcag***

Name of the CA group up to which RECON cleanup will continue to process CA groups. RECON cleanup will start with the first CA group defined in the RECON data set and will stop after this CA group is processed. If *lastcag* is specified, it must be preceded by a comma.

**CAONLY**

Optional keyword you use to specify that you want to delete only change accumulation execution records (no database recovery-related information or log information will be processed). However, if the DBONLY keyword is also included in the command, database recovery-related information will also be processed and only the log information will remain unprocessed.

**LASTCA**

Optional keyword you use to specify that the last CA execution record for a CA group can be deleted as part of the RECON cleanup process if it meets the criteria for deletion. If this keyword is not specified, the last CA execution record for a CA group will be retained.

**DBRANGE(*firstdb*,*lastdb* | *firstdb* |,*lastdb*)**

Optional keyword you use to specify a range of database names for which the cleanup is done. These are names of HALDB partitions and non-HALDB databases including DEDBs. HALDB master databases within the range are not processed. HALDB partitions within the range are processed. This option can be used to resume after a prior CLEANUP.RECON command was stopped.

***firstdb*,*lastdb***

Parameters you use to specify the upper or lower limits of the database range desired. The user must specify at least one of these parameters when using the DBRANGE keyword. Neither of these parameters needs to necessarily correspond to a name of a database registered in the RECON data set; they will simply be used as the beginning and ending arguments in an alphabetic search.

***firstdb***

Name of the database from which RECON cleanup will start processing databases. The RECON cleanup will process the database specified and then continue to process databases until it reaches the last database in the RECON data set or until it reaches the database specified as the *lastdb* in the DBRANGE keyword.

***lastdb***

Name of the database up to which RECON cleanup will continue to process databases. RECON cleanup will stop once this database has been processed. If *lastdb* is specified, it must be preceded by a comma.

**DBONLY**

Optional keyword you use to specify that you want to delete only database recovery-related information (no change accumulation or log information will be processed). However, if the CAONLY keyword is also specified, change accumulation information will also be processed and only the log information will remain unprocessed.

**LASTIC**

Optional keyword you use to specify that the last available IC for a database can be deleted as part of the RECON cleanup process if it meets the criteria for deletion. If this keyword is not specified, the last available IC for a database will be kept in order to avoid leaving a potentially useful database without a valid recovery point.

**LISTDL | NOLISTDL**

Mutually exclusive optional keywords you use to specify whether you want to list information about the data that was deleted from the RECON data set. If this option is not specified, the current LISTDL option specified in the RECON header will be used.

**LISTDL**

Specifies that information about the data that was deleted from the RECON data set is to be listed.

**NOLISTDL**

Specifies that information about the data that was deleted from the RECON data set is not to be listed.

**Usage notes**

**Attention:** To avoid deleting necessary recovery and log information from the RECON data set, run the CLEANUP.RECON command on a copy of the RECON data set first and verify the results, which indicate the length of time that is needed by the job. You can then use this information to determine when to run this command on your active RECON data set.

**Recommendation:** After using the CLEANUP.RECON command, reorganize your RECON data sets to reclaim space that was created as a result of issuing the command.

**Examples of cleaning up information from the RECON data set**

The following are some examples of the CLEANUP.RECON command.

***Example 1 for CLEANUP.RECON command***

Command input:

```
//CLEANUP JOB
:
//SYSIN DD *
      CLEANUP.RECON RETPRD('010 12:30') LASTIC LISTDL
/*
```

Command output:

```

DSP1214I RECON INFORMATION WAS DELETED FOR DBDS DBNAME=DBXYZN DDN=DDXYZN
DSP1214I RECORD          TIME
DSP1214I   ALLOC          06.221 13:05:37.0
DSP1214I   IMAGE          06.221 13:05:22.0
DSP1214I                                IC1 DSN=IMSVS. DBXYZN. DDXYZN.IC.IC130520
DSP1214I   IMAGE          06.221 13:45:47.0
DSP1214I                                IC1 DSN=IMSVS. DBXYZN. DDXYZN.IC.IC134545
DSP1214I   RECOV          06.221 13:59:42.0
DSP1212W ALL EXISTING IMAGE COPIES FOR DBNAME= DBXYZN DDN= DDXYZN WERE DELETED
DSP1216I THE PRILOG FAMILY WITH TIME=06.221 13:04:17.0 AND SSID=IMS1 WAS DELETED
DSP1047I DELETED DSN= IMSVS.RLDSP.IMS1.D06221.T1304170.V00,FILESEQ= 0001,VOLSER= 000000

```

Explanation: In this example, the user issued a CLEANUP.RECON command specifying the LASTIC and LISTDL keywords along with a retention time of 10 days, 12 hours, and 30 minutes. There is only one database (DBXYZN) that has ALLOC, IC, and RECOV information. It has only two ICs, and both are older than the retention time specified.

As a result of the command, message DSP1214I is issued listing the records that were deleted, message DSP1212W is issued notifying the user that all existing image copies for the database have been deleted, and messages DSP1216I and DSP1047I are issued listing the PRILOG families and log data sets that were deleted.

#### *Example 2 for CLEANUP.RECON command*

Command input:

```

//CLEANUP JOB
:
//SYSIN DD *
          CLEANUP.RECON RETPRD('010 12:30') LISTDL
/*

```

Command output:

```

DSP1214I RECON INFORMATION WAS DELETED FOR DBDS DBNAME=DBXYZN DDN=DDXYZN
DSP1214I RECORD          TIME
DSP1214I   ALLOC          06.221 13:05:37.0
DSP1214I   IMAGE          06.221 13:05:22.0
DSP1214I                                IC1 DSN=IMSVS. DBXYZN. DDXYZN.IC.IC130520
DSP1214I   RECOV          06.221 13:59:42.0
DSP1213I THE LAST IMAGE COPY FOR DBNAME = DBXYZN DDN= DDXYZN WAS NOT DELETED
DSP1216I THE PRILOG FAMILY WITH TIME=06.221 13:04:17.0 AND SSID=IMS1 WAS DELETED
DSP1047I DELETED DSN= IMSVS.RLDSP.IMS1.D06221.T1304170.V00,FILESEQ= 0001,VOLSER= 000000

```

Explanation: In this example, the user issued a CLEANUP.RECON command specifying the LISTDL keyword along with a retention time of 10 days, 12 hours, and 30 minutes. There is only one database (DBXYZN) that has ALLOC, IC, and RECOV information. It has only two ICs, and both are older than the retention time specified.

As a result of the command, message DSP1214I is issued listing the records that were deleted, message DSP1213I is issued notifying the user that the last image copy for the database was not deleted even though it fell within the deletion period (because LASTIC was not specified), and messages DSP1216I and DSP1047I are issued listing the PRILOG families and log data sets that were deleted.

#### *Example 3 for CLEANUP.RECON command*

Command input:

```
//CLEANUP JOB
:
//SYSIN DD *
        CLEANUP.RECON RETPRD('010 12:30') NOLISTDL
/*
```

Command output:

```
DSP1213I THE LAST IMAGE COPY FOR DBNAME = DBXYZN DDN= DDXYZN WAS NOT DELETED
DSP1216I THE PRILOG FAMILY WITH TIME=06.221 13:04:17.0 AND SSID=IMS1 WAS DELETED
```

Explanation: In this example, the user issued a CLEANUP.RECON command specifying the NOLISTDL keyword along with a retention time of 10 days, 12 hours, and 30 minutes. There is only one database (DBXYZN) that has ALLOC, IC, and RECOV information. It has only two ICs, and both are older than the retention time specified.

As a result of the NOLISTDL option, message DSP1214I is not issued, message DSP1213I is still issued notifying the user that the last image copy for the database was not deleted even though it fell within the deletion period (because LASTIC was not specified), and message DSP1216I is issued listing the PRILOG families that were deleted. Because the NOLISTDL option was specified, message DSP1047I is not issued.

*Example 4 for CLEANUP.RECON command*

Command input:

```
//CLEANUP JOB
:
//SYSIN DD *
        CLEANUP.RECON RETPRD('010 12:30') DBRANGE(DBXYZN) LASTIC LISTDL
/*
```

Command output:

```
DSP1214I RECON INFORMATION WAS DELETED FOR DBDS DBNAME=DBXYZZ DDN=DDXYZZ
DSP1214I RECORD          TIME
DSP1214I  ALLOC          06.221 14:25:37.0
DSP1214I  IMAGE          06.221 14:25:22.0
DSP1214I                               IC1 DSN=IMSVS. DBXYZZ. DDXYZZ.IC.IC142520
DSP1214I  IMAGE          06.221 14:45:47.0
DSP1214I                               IC1 DSN=IMSVS. DBXYZZ. DDXYZZ.IC.IC144545
DSP1214I  RECOV          06.221 14:59:42.0
DSP1212W ALL EXISTING IMAGE COPIES FOR DBNAME= DBXYZZ DDN= DDXYZZ WERE DELETED
DSP1216I THE PRILOG FAMILY WITH TIME=06.221 14:24:17.0 AND SSID=IMS1 WAS DELETED
DSP1047I DELETED DSN= IMSVS.RLDSP.IMS1.D06221.T1424170.V00,FILESEQ= 0001,VOLSER= 000000
```

Explanation: In this example, the user decides to resume the cleanup processing after a prior CLEANUP.RECON RETPRD('010 12:30') LASTIC command was stopped. The user searched for message DSP1214I to find out that the last database processed is DBXYZN and issues a CLEANUP.RECON RETPRD('010 12:30') DBRANGE(DBXYZN) LASTIC LISTDL command. As a result, the command will begin processing databases starting with DBXYZN and continue until it processes the last database (which in this case is DBXYZZ). Database DBXYZZ has two ICs and both ICs are older than the retention time specified of 10 days, 12 hours and 30 minutes.

As a result of the command, message DSP1214I is issued listing the records that were deleted, message DSP1212W is issued to notify the user that all existing



image copies for the database have been deleted, and messages DSP1216I and DSP1047I are issued listing the PRILOG families and log data sets that were deleted.

#### *Example 5 for CLEANUP.RECON command*

Command input:

```
//CLEANUP JOB
:
//SYSIN DD *
        CLEANUP.RECON RETPRD('010 12:30') DBONLY LASTIC LISTDL
/*
```

Command output:

```
DSP1214I RECON INFORMATION WAS DELETED FOR DBDS DBNAME=DBXYZN DDN=DDXYZN
DSP1214I RECORD          TIME
DSP1214I  ALLOC          06.221 13:25:37.0
DSP1214I  IMAGE          06.221 13:00:22.0
DSP1214I                               IC1 DSN=IMSVS. DBXYZN. DDXYZN.IC.IC130020
DSP1214I  IMAGE          06.221 13:45:47.0
DSP1214I                               IC1 DSN=IMSVS. DBXYZN. DDXYZN.IC.IC134545
DSP1214I  RECOV          06.221 13:35:47.0
DSP1212W ALL EXISTING IMAGE COPIES FOR DBNAME= DBXYZN DDN= DDXYZN WERE DELETED
```

Explanation: In this example, the user issued a CLEANUP.RECON command specifying the DBONLY, LASTIC, and LISTDL keywords along with a retention time of 10 days, 12 hours, and 30 minutes. There is only one database (DBXYZN) that has ALLOC, IC, and RECOV information, however, it only has two ICs and they both are older than the retention time specified.

As a result of the command, message DSP1214I is issued listing the records that were deleted, and message DSP1212W is issued notifying the user that all existing image copies for the database have been deleted. However, messages DSP1216I and DSP1047I are not issued in this example, because the DBONLY option was specified, which indicates that only the database portion of the RECON cleanup process is to be performed.

#### *Example 6 for CLEANUP.RECON command*

Command input:

```
//CLEANUP JOB
:
//SYSIN DD *
        CLEANUP.RECON TIME(06221145536000000) LASTIC LISTDL
/*
```

Command output:

```
DSP1214I RECON INFORMATION WAS DELETED FOR DBDS DBNAME=DBXYZN DDN=DDXYZN
DSP1214I RECORD          TIME
DSP1214I  ALLOC          06.221 13:05:37.0
DSP1214I  IMAGE          06.221 13:05:22.0
DSP1214I                               IC1 DSN=IMSVS. DBXYZN. DDXYZN.IC.IC130520
DSP1214I  IMAGE          06.221 13:45:47.0
DSP1214I                               IC1 DSN=IMSVS. DBXYZN. DDXYZN.IC.IC134545
DSP1214I  RECOV          06.221 13:59:42.0
DSP1212W ALL EXISTING IMAGE COPIES FOR DBNAME= DBXYZN DDN= DDXYZN WERE DELETED
DSP1216I THE PRILOG FAMILY WITH TIME=06.221 13:04:17.0 AND SSID=IMS1 WAS DELETED
DSP1047I DELETED DSN= IMSVS.RLDSP.IMS1.D06221.T1304170.V00,FILESEQ= 0001,VOLSER= 000000
```

Explanation: In this example, the user issued a CLEANUP.RECON command specifying the LASTIC and LISTDL keywords along with a time stamp of '0622114553600000'. There is only one database (DBXYZN) that has ALLOC, IC, and RECOV information, however, it only has two ICs and they both are older than the time stamp specified.

As a result of the command, message DSP1214I is issued listing the records that were deleted, message DSP1212W is issued notifying the user that all existing image copies for the database have been deleted, and messages DSP1216I and DSP1047I are issued listing the PRILOG families and log data sets that were deleted.

*Example 7 for CLEANUP.RECON command*

Command input:

```
//CLEANUP JOB
:
//SYSIN DD *
        CLEANUP.RECON TIME(0622114553600000) LISTDL
/*
```

Command output:

```
DSP1214I RECON INFORMATION WAS DELETED FOR DBDS DBNAME=DBXYZN DDN=DDXYZN
DSP1214I RECORD                TIME
DSP1214I   ALLOC                06.221 13:05:37.0
DSP1214I   IMAGE                06.221 13:05:22.0
DSP1214I                                     IC1 DSN=IMSVS. DBXYZN. DDXYZN.IC.IC130520
DSP1214I   RECOV                06.221 13:59:42.0
DSP1213I THE LAST IMAGE COPY FOR DBNAME = DBXYZN DDN= DDXYZN WAS NOT DELETED
DSP1216I THE PRILOG FAMILY WITH TIME=06.221 13:04:17.0 AND SSID=IMS1 WAS DELETED
DSP1047I DELETED DSN= IMSVS.RLDSP.IMS1.D06221.T1304170.V00,FILESEQ= 0001,VOLSER= 000000
```

Explanation: In this example, the user issued a CLEANUP.RECON command specifying the LISTDL keyword along with a time stamp of '0622120323600000'. There is only one database (DBXYZN) that has ALLOC, IC, and RECOV information, however, it only has two ICs and they both are older than the time stamp specified.

As a result of the command, message DSP1214I is issued listing the records that were deleted, message DSP1213I is issued notifying the user that the last image copy for the database was not deleted even though it fell within the deletion period (because LASTIC was not specified), and messages DSP1216I and DSP1047I are issued listing the PRILOG families and log data sets that were deleted.

*Example 8 for CLEANUP.RECON command*

Command input:

```
//CLEANUP JOB
:
//SYSIN DD *
        CLEANUP.RECON DBRANGE(,DBXYZZ) LASTIC LISTDL
/*
```

Command output:

```
DSP1214I RECON INFORMATION WAS DELETED FOR DBDS DBNAME=DBXYZN DDN=DDXYZN
DSP1214I RECORD                TIME
DSP1214I   ALLOC                06.221 13:05:37.0
DSP1214I   IMAGE                06.221 13:05:22.0
DSP1214I                                     IC1 DSN=IMSVS. DBXYZN. DDXYZN.IC.IC130520
```

```

DSP1214I  IMAGE                06.221 13:45:47.0
DSP1214I                IC1 DSN=IMSVS. DBXYZN. DDXYZN.IC.IC134545
DSP1214I  RECOV                06.221 13:59:42.0
DSP1212W ALL EXISTING IMAGE COPIES FOR DBNAME= DBXYZN DDN= DDXYZN WERE DELETED
DSP1216I THE PRILOG FAMILY WITH TIME=06.221 13:04:17.0 AND SSID=IMS1 WAS DELETED
DSP1047I DELETED DSN= IMSVS.RLDSP.IMS1.D06221.T1304170.V00,FILESEQ= 0001,VOLSER= 000000

DSP1214I RECON INFORMATION WAS DELETED FOR DBDS DBNAME=DBXYZZ DDN=DDXYZZ
DSP1214I RECORD                TIME
DSP1214I  ALLOC                06.221 14:25:37.0
DSP1214I  IMAGE                06.221 14:25:22.0
DSP1214I                IC1 DSN=IMSVS. DBXYZZ. DDXYZZ.IC.IC142520
DSP1214I  IMAGE                06.221 14:45:47.0
DSP1214I                IC1 DSN=IMSVS. DBXYZZ. DDXYZZ.IC.IC144545
DSP1214I  RECOV                06.221 14:59:42.0
DSP1212W ALL EXISTING IMAGE COPIES FOR DBNAME= DBXYZZ DDN= DDXYZZ WERE DELETED
DSP1216I THE PRILOG FAMILY WITH TIME=06.221 14:24:17.0 AND SSID=IMS1 WAS DELETED
DSP1047I DELETED DSN= IMSVS.RLDSP.IMS1.D06221.T1424170.V00,FILESEQ= 0001,VOLSER= 000000

```

Explanation: In this example, the user who has three databases (DBXYZN, DBXYZZ, and DBXZZZ) decides to issue a CLEANUP.RECON command to clean up the first two databases. In this case, the user issues a CLEANUP.RECON DBRANGE(DBXYZZ) LASTIC LISTDL command, which will use the log retention period (LOGRET) as the default deletion time. As a result, the command begins by processing the first database (DBXYZN) and continues until it reaches the database specified in the 'lastdb' position of the DBRANGE keyword (DBXYZZ), using the log retention period (LOGRET) as the default deletion time. Both databases DBXYZN and DBXYZZ have two ICs that are older than the log retention period of 10 days, 12 hours, and 30 minutes.

As a result of the command, message DSP1214I is issued listing the records that were deleted, message DSP1212W is issued notifying the user that all existing image copies for the database have been deleted, and messages DSP1216I and DSP1047I are issued listing the PRILOG families and log data sets that were deleted.

### *Example 9 for CLEANUP.RECON command*

Command input:

```

//CLEANUP JOB
:
//SYSIN DD *
        CLEANUP.RECON RETPRD('010 12:30') LASTIC LASTCA LISTDL
/*

```

Command output:

```

DSP1214I RECON INFORMATION WAS DELETED FOR DBDS DBNAME=DBXYZN DDN=DDXYZN
DSP1214I RECORD                TIME
DSP1214I  ALLOC                09.021 13:05:37.012345
DSP1214I  IMAGE                09.021 13:05:22.012345
DSP1214I                IC1 DSN=IMSVS.DBXYZN.DDXYZN.IC.IC130520
DSP1214I  IMAGE                09.021 13:45:47.012345
DSP1214I                IC1 DSN=IMSVS.DBXYZN.DDXYZN.IC.IC134545
DSP1214I  RECOV                09.021 13:59:42.012345
DSP1212W ALL EXISTING IMAGE COPIES FOR DBNAME= DBXYZN DDN= DDXYZN WERE DELETED
DSP1225I CHANGE ACCUMULATION EXECUTION RECORDS WERE DELETED FOR CA GROUP GRPNAME=GRPDBX
DSP1225I RECORD                TIME
DSP1225I  CA                    09.021 15:05:37.012345
DSP1225I                DSN=IMSVS.GRPDBX.CA2.CA182601
DSP1216I THE PRILOG FAMILY WITH TIME=09.021 13:04:17.012345 AND SSID=IMS1 WAS DELETED
DSP1047I DELETED DSN= IMSVS.RLDSP.IMS1.D09021.T1304170.V00,FILESEQ= 0001,VOLSER=0000009

```

Explanation: In this example, the user issued a CLEANUP.RECON command specifying the LASTIC, LASTCA, and LISTDL keywords along with a retention time of 10 days, 12 hours, and 30 minutes. There is only one database (DBXYZN) that has ALLOC, IC, and RECOV information. It has only two ICs, and both are older than the retention time specified. There is one change accumulation group (GRPDBX) with reusable change accumulation execution records with five change accumulation execution records. Only one change accumulation execution record that is older than the retention period was deleted.

As a result of the command, message DSP1214I is issued listing the records that were deleted, message DSP1212W is issued notifying the user that all existing image copies for the database have been deleted, messages DSP1216I and DSP1047I are issued listing the PRILOG families and log data sets that were deleted, and message DSP1225I is issued listing the change accumulation execution record that was deleted.

*Example 10 for CLEANUP.RECON command*

Command input:

```
//CLEANUP JOB
:
:
//SYSIN DD *
        CLEANUP.RECON RETPRD('010 12:30') CAONLY LISTDL
/*
```

Command output:

```
DSP1225I CHANGE ACCUMULATION EXECUTION RECORDS WERE DELETED FOR CA GROUP GRPNAME=CAGRP1
DSP1225I RECORD                TIME
DSP1225I   CA                   09.021 13:05:37.012345
DSP1225I                   DSN=IMSVS.CAGRP1.CA2.CA182601
DSP1225I   CA                   09.021 13:45:47.012345
DSP1225I                   DSN=IMSVS.CAGRP1.CA3.CA182602
```

Explanation: In this example, the user issued a CLEANUP.RECON command specifying the CAONLY keyword along with a retention time of 10 days, 12 hours, and 30 minutes. There are two change accumulation data sets that are older than 10 days.

As a result of the command, message DSP1225I is issued when change accumulation execution records are deleted for a change accumulation group. Because the LISTDL option is specified, each change accumulation execution record deleted is also listed.

*Example 11 for CLEANUP.RECON command*

Command input:

```
//CLEANUP JOB
:
:
//SYSIN DD *
        CLEANUP.RECON RETPRD('010 12:30') CAGRANGE(CAGRP1) CAONLY NOLISTDL
/*
```

Command output:

```
DSP1225I CHANGE ACCUMULATION EXECUTION RECORDS WERE DELETED FOR CA GROUP GRPNAME=CAGRP2
DSP1225I CHANGE ACCUMULATION EXECUTION RECORDS WERE DELETED FOR CA GROUP GRPNAME=CAGRP3
DSP1225I CHANGE ACCUMULATION EXECUTION RECORDS WERE DELETED FOR CA GROUP GRPNAME=CAGRP4
```

```
DSP1225I CHANGE ACCUMULATION EXECUTION RECORDS WERE DELETED FOR CA GROUP GRPNAME=CAGRP5
DSP1225I CHANGE ACCUMULATION EXECUTION RECORDS WERE DELETED FOR CA GROUP GRPNAME=MYGRP1
DSP1225I CHANGE ACCUMULATION EXECUTION RECORDS WERE DELETED FOR CA GROUP GRPNAME=MYGRP2
```

Explanation: In this example, the user decides to clean up only change accumulation records for a range of change accumulation groups that begin with CAGRP1. The command will begin processing change accumulation group CAGRP1 and continue until it processes the last change accumulation group (which, in this case, is MYGRP2). Because change accumulation group CAGRP1 had already been processed by a previous CLEANUP.RECON command, no change accumulation executions records were deleted. Message DSP1225I is issued for each change accumulation group that had change accumulation records deleted. The change accumulation records deleted are not listed because of the NOLISTDL option.

#### *Example 12 for CLEANUP.RECON command*

Command input:

```
//CLEANUP JOB
:
//SYSIN DD *
        CLEANUP.RECON RETPRD('010 12:30') CAONLY NOLISTDL
/*
```

Command output:

```
DSP1228I NO CHANGE ACCUMULATION INFORMATION WAS DELETED
```

Explanation: Because all the change accumulation groups had already been processed by a previous CLEANUP.RECON command, the only message that is issued for this command is DSP01228I.

#### *Example 13 for CLEANUP.RECON command*

Command input:

```
//CLEANUP JOB
:
//SYSIN DD *
        CLEANUP.RECON RETPRD('010 12:30') CAGRANGE(,CAGRP4) CAONLY NOLISTDL
/*
```

Command output:

```
DSP1228I NO CHANGE ACCUMULATION INFORMATION WAS DELETED
```

Explanation: In this example, the user decides to resume the cleanup processing after a prior CLEANUP.RECON RETPRD('010 12:30') CAGRANGE(CAGRP1) command completed. As a result, this command will begin processing the first change accumulation group (CAGRP1) because the CAGRANGE keyword omitted the first change accumulation group and included CAGRP4 as the last change accumulation group to process. Because all the change accumulation groups had already been processed by the previous CLEANUP.RECON command, the only message issued for this command is DSP1228I.

#### *Example 14 for CLEANUP.RECON command*

Command input:

```
//CLEANUP JOB
:
//SYSIN DD *
      CLEANUP.RECON DBRANGE(,DBXYZZ) LASTIC LISTDL
/*
```

Command output:

```
DSP1214I RECON INFORMATION WAS DELETED FOR DBDS DBNAME=DBXYZN DDN=DDXYZN
DSP1214I RECORD          TIME
DSP1214I  ALLOC          06.221 13:05:37.012345
DSP1214I  IMAGE          06.221 13:05:22.012345
DSP1214I                      IC1 DSN=IMSVS.DBXYZN.DDXYZN.IC.IC130520
DSP1214I  IMAGE          06.221 13:45:47.012345
DSP1214I                      IC1 DSN=IMSVS.DBXYZN.DDXYZN.IC.IC134545
DSP1214I  RECOV          06.221 13:59:42.0
DSP1212W ALL EXISTING IMAGE COPIES FOR DBNAME= DBXYZN DDN= DDXYZN WERE DELETED
DSP1216I THE PRILOG FAMILY WITH TIME=06.221 13:04:17.012345 AND SSID=IMS1 WAS DELETED
DSP1047I DELETED DSN= IMSVS.RLDSP.IMS1.D06221.T1304170.V00,FILESEQ= 0001,VOLSER= 000000

DSP1214I RECON INFORMATION WAS DELETED FOR DBDS DBNAME=DBXYZZ DDN=DDXYZZ
DSP1214I RECORD          TIME
DSP1214I  ALLOC          08.221 14:25:37.012345
DSP1214I  IMAGE          08.221 14:25:22.012345
DSP1214I                      IC1 DSN=IMSVS.DBXYZZ.DDXYZZ.IC.IC142520
DSP1214I  IMAGE          08.221 14:45:47.012345
DSP1214I                      IC1 DSN=IMSVS.DBXYZZ.DDXYZZ.IC.IC144545
DSP1214I  RECOV          08.221 14:59:42.012345
DSP1212W ALL EXISTING IMAGE COPIES FOR DBNAME= DBXYZZ DDN= DDXYZZ WERE DELETED
DSP1225I CHANGE ACCUMULATION EXECUTION RECORDS WERE DELETED FOR CA GROUP GRPNAME=CAGRP33
DSP1225I RECORD          TIME
DSP1225I  CA              09.021 13:05:37.012345
DSP1225I                      DSN=IMSVS.CAGRP33.CA2.CA182601
DSP1225I  CA              09.021 13:45:47.012345
DSP1225I                      DSN=IMSVS.CAGRP33.CA3.CA182602
DSP1216I THE PRILOG FAMILY WITH TIME=08.221 14:24:17.012345 AND SSID=IMS1 WAS DELETED
DSP1047I DELETED DSN= IMSVS.RLDSP.IMS1.D06221.T1424170.V00,FILESEQ= 0001,VOLSER= 000000
```

Explanation: In this example, the user who has three databases (DBXYZN, DBXYZZ, and DBXZZZ) decides to issue a CLEANUP.RECON command to clean up the first two databases. In this case, the user issues a CLEANUP.RECON DBRANGE(,DBXYZZ) LASTIC LISTDL command, which will use the log retention period (LOGRET) as the default deletion time. As a result, the command begins by processing the first database (DBXYZN) and continues until it reaches the database specified in the *lastdb* position of the DBRANGE keyword (DBXYZZ). Both databases DBXYZN and DBXYZZ have two ICs that are older than the log retention period of 10 days, 12 hours, and 30 minutes. Also, there are two change accumulation data sets for CAGRP33 that are older than the log retention period. They are deleted.

As a result of the command, message DSP1214I is issued listing the recovery related records that were deleted, message DSP1212W is issued notifying the user that all existing image copies for the database have been deleted, messages DSP1216I and DSP1047I are issued listing the PRILOG families and log data sets that were deleted, and message DSP1225I is issued notifying the user that the change accumulation execution records were deleted for CA group CAGRP33. Because of the LISTDL option, message DSP1225I also lists each change accumulation execution record that was deleted.

**Example 15 for CLEANUP.RECON command**

Command input:

```
//CLEANUP JOB
:
//SYSIN DD *
      CLEANUP.RECON RETPRD('010 12:30') DBONLY CAONLY LASTIC LASTCA LISTDL
/*
```

Command output:

```
DSP1214I RECON INFORMATION WAS DELETED FOR DBDS DBNAME=DBXYZN DDN=DDXYZN
DSP1214I RECORD          TIME
DSP1214I  ALLOC          09.021 13:05:37.012345
DSP1214I  IMAGE          09.021 13:05:22.012345
DSP1214I                      IC1 DSN=IMSVS. DBXYZN.DDXYZN.IC.IC130520
DSP1214I  IMAGE          09.021 13:45:47.012345
DSP1214I                      IC1 DSN=IMSVS. DBXYZN.DDXYZN.IC.IC134545
DSP1214I  RECOV          09.021 13:59:42.012345
DSP1212W ALL EXISTING IMAGE COPIES FOR DBNAME= DBXYZN DDN= DDXYZN WERE DELETED
DSP1225I CHANGE ACCUMULATION EXECUTION RECORDS WERE DELETED FOR CA GROUP GRPDBX
DSP1225I RECORD          TIME
DSP1225I  CA            09.021 15:05:37.012345
DSP1225I                      DSN=IMSVS.GRPDBX.CA2.CA182601
```

Explanation: In this example, the user issued a CLEANUP.RECON command specifying the DBONLY, CAONLY, LASTIC, LASTCA, and LISTDL keywords along with a retention time of 10 days, 12 hours, and 30 minutes. There is only one database (DBXYZN) that has ALLOC, IC, and RECOV information. It has only two ICs, and both are older than the retention time specified. There is one change accumulation group (GRPDBX) with five change accumulation execution records and only one change accumulation execution record that is older than the retention period. When either DBONLY or CAONLY is specified, log information is not processed.

As a result of the command, message DSP1214I is issued listing the records that were deleted, message DSP1212W is issued notifying the user that all existing image copies for the database have been deleted, and message DSP1225I is issued listing the change accumulation execution record deleted for CA group GRPDBX.





---

## Chapter 12. DELETE commands

Use the DELETE commands to delete information from a RECON data set.

---

### DELETE.ADS command

Use the DELETE.ADS command to delete an ADS from its associated area, which can consist of a maximum of seven ADSs, in the RECON record structure.

The ADS that is to be deleted must have been registered by the INIT.ADS command.

The DELETE.ADS command fails if you issue it while the area is authorized and the ADS is in AVAILABLE status. The command can be used if the ADS is in UNAVAILABLE status, provided that the ADS Create utility is not running.

Subsections:

- “Syntax”
- “Keywords”
- “Example of deleting an ADS record”

#### Syntax

►►—DELETE.ADS—ADDN(*name*)—AREA(*name*)—DBD(*name*)—►►

#### Keywords

##### ADDN(*name*)

Required keyword you use to identify the area name of the ADS to be deleted.

##### AREA(*name*)

Required keyword you use to identify the name of the area that contains the ADS to be deleted.

##### DBD(*name*)

Required keyword you use to identify the database name of the area that is to be deleted.

#### Example of deleting an ADS record

In this example, an ADS record is deleted from RECON for the DEDB area that is identified by the DBD, AREA, and ADDN keywords.

```
//DELADS JOB ('LEOPARD,IMS'),'LEOPARD',REGION=880K,  
:  
//SYSIN DD *  
DELETE.ADS DBD(DBD00001) AREA(AREA0001) -  
ADDN(AREA0002)  
/*
```

---

## DELETE.ALLOC command

Use the DELETE.ALLOC command to delete from the RECON data set an allocation record that is related to a specified DBDS or DEDB area.

An allocation record can be deleted only when it contains a deallocation time or when its associated log has a stop time. Except for deleting allocation records that precede the oldest image copy data set for a DBDS or DEDB area, deleting an allocation record should be done with caution, and is not normally required. Deleting an allocation record that represents a period of time during which you changed the specified DBDS or area can cause a future recovery to be incorrect.

Subsections:

- “Syntax”
- “Keywords”
- “Example of deleting an allocation record”

### Syntax

```
➤➤—DELETE.ALLOC—DBD(name)—┬—DDN(name)—┬—RECTIME(time_stamp)—➤➤
                               └—AREA(name)—┘
```

### Keywords

#### DBD(*name*)

Required keyword you use to identify the database name of the DBDS or area for which the allocation record is to be deleted.

**Restriction for HALDB databases:** For the DELETE.ALLOC command, *name* specifies the name of a HALDB partition.

#### DDN(*name*) | AREA(*name*)

Mutually exclusive, required keywords you use to identify the data set ddname of the DBDS or DEDB area for which the allocation record is to be deleted.

#### RECTIME(*time\_stamp*)

Required keyword you use to identify the specific allocation record to be deleted for a specified DBDS or DEDB area. Use the time stamp with an adjacent asterisk (\*) in a listing of the ALLOC record. The time stamp must be in standard form.

### Example of deleting an allocation record

In this example, an allocation record is deleted from RECON for the DBDS that is identified by the DBD and DDN keywords. The RECTIME keyword identifies the specific allocation record that is to be deleted.

```
//DELALLOC JOB
:
//SYSIN DD *
DELETE.ALLOC DBD(DBDKSDS1) DDN(DDNKSDS1) -
RECTIME(07023110223423456)
/*
```

**Related reference:**

“DBRC time stamps” on page 52

---

## DELETE.BKOUT command

Use a DELETE.BKOUT command to delete backout records from the RECON data set.

Use this command, for example, following the successful restore of a recent image copy. The backout information held in the RECON data set at the time of the copy is meaningless, but DBRC is not aware of this fact, and DBRC does not delete the backout records automatically.

**Attention:** Use the DELETE.BKOUT command with extreme caution. It deletes all backout information for a subsystem from the RECON; this is information that DBRC uses to help IMS maintain database integrity.

Subsections:

- “Syntax”
- “Keywords”
- “Example of using the DELETE.BKOUT command”

### Syntax

►►—DELETE.BKOUT—SSID(*name*)—————►►

### Keywords

#### SSID(*name*)

Required keyword you use to identify the subsystem for which a backout record is to be deleted. The subsystem name is an eight-character, alphanumeric string that represents any valid subsystem. You can specify one subsystem each time you issue the command.

For each database entry in the record that is marked as backout required, the backout count in its associated database header record for this subsystem (SSID) is reduced by one. If this results in a zero backout count for this SSID, the SSID entry is removed from the database header record.

### Example of using the DELETE.BKOUT command

This example uses the DELETE.BKOUT command to backout subsystem IMS3.

```
//DELBKOUT JOB
:
//SYSIN DD *
      DELETE.BKOUT  SSID(IMS3)
/*
```

---

## DELETE.CA command

Use a DELETE.CA command to delete from RECON a change accumulation run record for a specified CA group.

Subsections:

- “Syntax” on page 176
- “Keywords” on page 176
- “Example of deleting a run record” on page 176

## Syntax

►►—DELETE.CA—GRPNAME(*name*)—RECTIME(*time\_stamp*)—►►

## Keywords

### GRPNAME(*name*)

Required keyword you use to specify the CA group. The CA run record that is to be deleted is a member of this CA group.

### RECTIME(*time\_stamp*)

Required keyword you use to specify the change accumulation run record that is to be deleted.

Use the RECTIME marked with an asterisk (\*) from the listing of the CA record. The time stamp must be in standard form.

## Example of deleting a run record

In this example, a run record is deleted from RECON for the CA group identified by the GRPNAME keyword. The RECTIME keyword identifies the record to be deleted.

```
//DELCA    JOB
:
//SYSIN    DD    *
           DELETE.CA  GRPNAME(CAGRP1)  RECTIME(07122090954023456)
/*
```

### Related reference:

“DBRC time stamps” on page 52

---

## DELETE.CAGRP command

Use a DELETE.CAGRP command to delete a CA group record and all associated CA run records from the RECON data set.

Subsections:

- “Syntax”
- “Keywords”
- “Example of deleting CA group records” on page 177

## Syntax

►►—DELETE.CAGRP—GRPNAME(*name*)—►►

## Keywords

### GRPNAME(*name*)

Required keyword you use to specify the name of the CA group whose records that are to be deleted.

## Example of deleting CA group records

In this example, CA group records are deleted from the RECON data set. The CA group for which the record is being deleted is identified by the GRPNAME keyword.

```
//DELCAGRP JOB
:
//SYSIN DD *
DELETE.CAGRP GRPNAME(CAGRP2)
/*
```

---

## DELETE.DB command

Use the DELETE.DB command to delete from the RECON data set a database and all information related to the database that has been recorded in the RECON data set.

If the database is a HALDB, the database and all its partitions are deleted. If the named database is a HALDB partition, the command fails. Use the DELETE.PART command to delete a HALDB partition. If the database or any partition of a HALDB database is in use, the command fails and none of the RECON records are deleted.

Subsections:

- “Syntax”
- “Keywords”
- “Example of deleting records from the RECON data set”

### Syntax

►—DELETE.DB—DBD(*name*)—————►

### Keywords

#### DBD(*name*)

Required keyword you use to identify the name of the database to be deleted.

All database, DBDS, allocation, image copy, recovery, and reorganization records that have the same database name as *name* are deleted. In addition, all CA group and DBDS group records are scanned in order to delete any entries for which the corresponding DBDS records have been deleted. All log allocation records are also scanned in order to delete any entries in the allocation list for which the corresponding DBDS records have been deleted.

**Restriction for HALDB databases:** For the DELETE.DB command, *name* specifies the name of a HALDB master database.

### Example of deleting records from the RECON data set


In this example, records are deleted from RECON for the database and its corresponding DBDSs identified by the DBD keyword.

```

//DELDB   JOB
:
//SYSIN   DD   *
          DELETE.DB   DBD(THISDB)
/*

```

**Related concepts:**

 Partitions in PHDAM, PHIDAM, and PSINDEX databases (Database Administration)

## DELETE.DBDS command

Use the DELETE.DBDS command to delete from the RECON data set all records that are related to a specified DBDS or DEDB area.

If the DBDS for which the records are to be deleted belongs to a CA group or to a DBDS group, its name is removed from the group record. The DELETE.DBDS command fails if the DL/I database or Fast Path DEDB area is in use.

**Restriction for HALDB databases:** The DELETE.DBDS command cannot be used to delete any DBDSs from a HALDB partition. Use the DELETE.PART command or the HALDB Partition Definition utility to delete a HALDB partition and all of its DBDSs.

Subsections:

- "Syntax"
- "Keywords"
- "Example of deleting records for the DBDS"

### Syntax

```

▶▶—DELETE.DBDS—DBD(name)—┬—DDN(name)—┬—————▶
                          └—AREA(name)—┘

```

### Keywords

**DBD(*name*)**

Required keyword you use to specify the database name of the DBDS or DEDB area for which all records to be deleted.

**DDN(*name*) | AREA(*name*)**

Mutually exclusive, required keywords you use to specify the ddname of the DBDS or area for which all records are to be deleted from the RECON data set.

### Example of deleting records for the DBDS

In this example, records are deleted from RECON for the DBDS identified by the DBD and DDN keywords.

```

//DELDDBS  JOB
:
//SYSIN    DD   *
          DELETE.DBDS   DBD(DBDESDSA)   DDN(DDNESDSA)
/*

```

---

## DELETE.DBDSGRP command

Use a DELETE.DBDSGRP command to delete the record of a specified DBDS group from the RECON data set.

Subsections:

- “Syntax”
- “Keywords”
- “Example of deleting a DBDS group record”

### Syntax

▶▶—DELETE.DBDSGRP—GRPNAME(*name*)————▶▶

### Keywords

#### GRPNAME(*name*)

Required keyword you use to specify the name of the DBDS group that is being deleted. The specified name must be that of a group that is identified in the RECON data set.

### Example of deleting a DBDS group record

In this example, a DBDS group record is deleted from the RECON data set.

```
//DELDBDGP JOB
:
//SYSIN DD *
DELETE.DBDSGRP GRPNAME(DBDSGRP1)
/*
```

---

## DELETE.GSG command

Use a DELETE.GSG command to delete a global service group record from the RECON data set. The GSG must not have any subsystem assigned to it.

Databases assigned to this GSG are reset to uncovered status as part of the processing of the DELETE.GSG command. The GSG names and log tokens of all RECON log records that are associated with this GSG are reset.

This command fails if RSRFEAT=NO is specified in the IMSCTRL macro.

Subsections:

- “Syntax”
- “Keywords” on page 180
- “Example of deleting a global service group record” on page 180

### Syntax

▶▶—DELETE.GSG—GSGNAME(*gsname*)————▶▶

## Keywords

### GSGNAME(*gsgname*)

Required keyword you use to specify the name of the global service group to be deleted.

## Example of deleting a global service group record

In this example, a global service group record is deleted from the RECON data set.

```
//DELDBDGP JOB
:
//SYSIN DD *
DELETE.GSG GSGNAME(GSGNM1)
/*
```

---

## DELETE.IC command

Use the DELETE.IC command to delete an image copy record or the information about a second image copy data set.

If you specify the ICDSN2 keyword, only the information about a second image copy data set is deleted; otherwise, both the entire image copy record and the information about the second image copy data set are deleted.

Subsections:

- “Syntax”
- “Keywords”
- “Example of deleting information from an image copy record” on page 181

## Syntax

```
▶▶ DELETE.IC—DBD(name)—┬─DDN(name)─┬─RECTIME(time_stamp)─▶
                        └─AREA(name)─┘
▶┬─ICDSN2(name)─┘
```

## Keywords

### DBD(*name*)

Required keyword you use to identify the image copy record to be deleted. *name* is the database name of the DBDS or DEDB area to which it is related.

**Restriction for HALDB databases:** For the DELETE.IC command, *name* specifies the name of a HALDB partition.

### DDN(*name*) | AREA(*name*)

Mutually exclusive, required keywords you use to identify the image copy record to be deleted. *name* is the name of the DBDS or DEDB area to which it is related.

### RECTIME(*time\_stamp*)

Required keyword you use to identify the specific image copy record that is to be deleted. Use the RUN time marked with an asterisk (\*) in a listing of the IMAGE record. The time stamp must be in standard form.



### ICDSN2(*name*)

Optional keyword you use to specify the name of a duplicate image copy data set for which information is to be deleted from an image copy record. (The record of the first image copy data set remains in the RECON data set.)

### Example of deleting information from an image copy record

In this example, information about a duplicate image copy data set is deleted from an image copy record in the RECON data set. The keywords DBD, AREA, ICDSN2, and RECTIME identify the information to be deleted. The asterisk (\*) in the ICDSN2 keyword is to be expanded by DBRC according to the default-naming convention for image copy data sets.

```
//DELIC    JOB
:
//SYSIN    DD    *
          DELETE.IC    DBD(DBDKSDS1)    AREA(AREA006)    -
          RECTIME(07123122322123456)    ICDSN2(IMS.*.ICDSN5)
/*
```

#### Related reference:

“DBRC time stamps” on page 52

---

## DELETE.LOG command (for OLDS)

Use the DELETE.LOG OLDS command to delete a data set entry from an OLDS record.

#### Subsections:

- “Syntax”
- “Keywords”
- “Example of deleting an interim OLDS record” on page 182

### Syntax

```
▶▶—DELETE.LOG—OLDS(ddname)—┌INTERIM┐┌LASTCLOS┐┌SSID(name)┐—▶▶
```

### Keywords

#### OLDS(*ddname*)

Required keyword you use to specify the ddname of the primary OLDS. DBRC deletes the RECON records of the primary and secondary OLDS for the specified subsystem with the specified *ddname*. You can delete the record of an OLDS only if the OLDS has been archived.

#### INTERIM

Optional keyword you use to specify that an interim OLDS record is to be deleted.

#### LASTCLOS

Optional keyword you use to specify that the OLDS specified in the OLDS keyword is the last OLDS in the PRIOLDS record and should be deleted. Use this keyword with caution. Normally, the last OLDS in the PRIOLDS record is the last OLDS that was closed, and you should not delete it. Close the first OLDS in a subsequent restart if the first OLDS is empty because of an error.

### SSID(*name*)

Optional keyword you use to specify the name of the IMS subsystem that created the log data set for which the RECON record is to be deleted.

The SSID is an eight-character string of any alphanumeric characters that comprise a valid IMS subsystem identification name. If you do not specify SSID, DBRC uses the default subsystem identifier in the RECON header record. Use the INIT.RECON or CHANGE.RECON command to set the default subsystem identifier in the RECON header record. If you have not set a default in the RECON header record, you must specify SSID.

### Example of deleting an interim OLDS record

In this example, an interim OLDS record is deleted from the RECON data set.

```
//DELLOG JOB
:
//SYSIN DD *
DELETE.LOG SSID(IMSA) OLDS(DFSOLP03) -
INTERIM
/*
```

---

## DELETE.LOG command (for RLDS and SLDS)

Use the DELETE.LOG command to delete PRILOG and SLDS records, to delete single data set entries from those records, and to prevent PRILOG records from exceeding the maximum RECON record size.

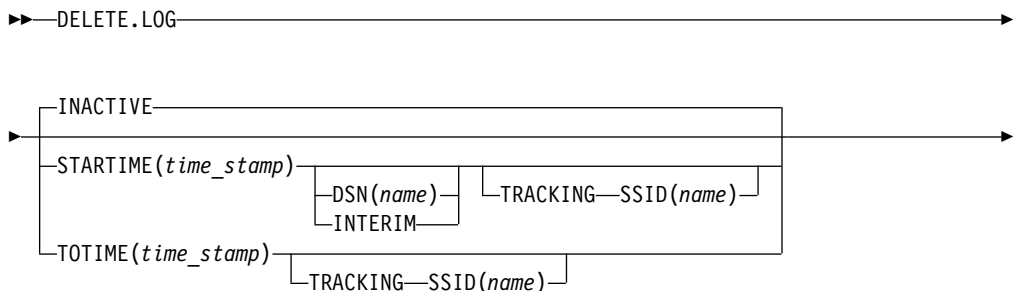
You can delete the following records:

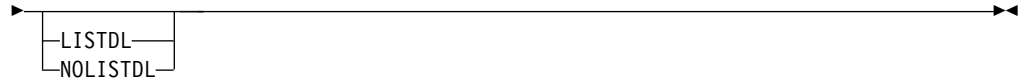
- A PRILOG family of records
- One data set entry from a PRILOG family
- Some or all inactive PRILOG families
- SLDSs that are created by RSR tracking subsystems (TPSLD, TSSLD, TIPSL, TISSL)

Subsections:

- "Syntax"
- "Keywords" on page 183
- "Example of deleting the record of an RLDS and SLDS" on page 185

### Syntax





## Keywords

### **INACTIVE** | **STARTIME(*time\_stamp*)** | **TOTIME(*time\_stamp*)**

Mutually exclusive, optional keywords you use to specify the records that are to be deleted.

For a log to be considered inactive, all of the following conditions must be met:

- The log does not contain any DBDS change records more recent than the oldest image copy data set that is known to DBRC (empty LOGALL record).
- The log is older than the log retention period that was specified in the INIT.RECON or CHANGE.RECON command.
- The log has either been terminated (nonzero stop time) or has the ERROR flag in the PRILOG or SECLOG record set on.
- If the log has been terminated, the stop time in the PRILOG or SECLOG record must be older than the log retention period.

#### **INACTIVE**

Deletes an inactive PRILOG and its associated log records. INACTIVE is the default.

When the DELETE.LOG INACTIVE command is issued, DBRC also examines active PRILOG records to determine if they should be compressed (meaning that any inactive data set entries in the records will be deleted). A data set entry is defined as inactive if all of the following three conditions are met:

- It is older than the log retention period that was specified in the INIT.RECON or CHANGE.RECON command.
- It is older than the earliest log volume required for recovery of any database that is registered in the RECON data set.
- It is older than the earliest checkpoint that is required for system restart.

INACTIVE does not delete PRILOG and SECLOG records for logs that do not satisfy all three conditions. Most logs satisfy the conditions. Use DELETE.LOG STARTIME(*time\_stamp*) command for those logs that do not satisfy all three conditions.

**Recommendation:** Ensure that an appropriate log retention period is specified so that log information is kept in the RECON data set for a long enough period of time. Certain IMS functions depend on log information in the RECON data set, and these functions might fail if that information is deleted too soon. For example, one or more of the following functions might fail:

- Dynamic backout
- Batch message processing (BMP) extended restart (XRST)
- Unit of work table entry (UOWE) resynchronization

#### **STARTIME(*time\_stamp*)**

Specifies the START time of the log records to be deleted. Use the time stamp with an adjacent asterisk (\*) in a list of the PRILOG or SECLOG record.

**DSN** (*name*)

Optional keyword (used with STARTIME) to specify the data set name of a particular log data set (located at the tracking site) whose entry in the RLDS or SLDS record is to be deleted. The specified data set name can exist in one or more of the primary and secondary RLDS and SLDS records. All entries having the same log sequence number range as the specified data set are deleted.

Only tracking log data at the tracking site (the data that is a partial copy of the log data at the active site) is eligible for deletion.

If the data set to be deleted is the last in the log record and if it is closed, the log stop time is set to zeros to indicate that a data set gap exists at the end of the record.

If DSN is not specified, the entire RLDS or SLDS record is deleted.

**Note:** STARTIME is required with DSN. You cannot specify TOTIME, INTERIM, or TRACKING with DSN.

**INTERIM**

Optional keyword you use to specify the interim RLDS record and interim SLDS record to be deleted.

**Note:** You cannot specify INTERIM if DSN is specified. If INTERIM is specified, you must also specify STARTIME.

**TOTIME**

Specifies that the records of all inactive RLDSs and SLDSs that have a stop time older than the time specified with the TOTIME keyword are to be deleted. You must specify a time that is older than the current time, minus the log retention period. The time stamp must be in standard form. If the PRILOG is older than TOTIME specified, but it is still active, the PRILOG will be examined and all inactive data set entries in the record will be deleted.

**Restriction:** The TOTIME and DSN parameters are mutually exclusive.

**LISTDL | NOLISTDL**

Mutually exclusive, optional keywords you use to specify whether the names of the data sets deleted from the RECON are to be listed in the job output. These keywords override the default. The default is the value specified by the INIT.RECON or CHANGE.RECON command.

**LISTDL**

Specifies that the names of deleted data sets are to be listed in the job output.

**NOLISTDL**

Specifies that the names of deleted data sets are not to be listed in the job output.

**TRACKING**

Optional keyword you use to specify that only records of SLDSs created by RSR tracking subsystems are to be deleted. These are the TPSLD, TSSLD, TIPSL, and TISSL records.

**Requirement:** This keyword must be specified with SSID and either STARTIME or TOTIME.

**Restrictions:**

- If TRACKING is specified, neither DSN nor INACTIVE can be specified.
- If INTERIM is specified, only the TIPSL and TISSL records are deleted.

**SSID(name)**

Required keyword (when you specify TRACKING) that specifies the subsystem name of the RSR tracking IMS subsystem that created the SLDSs to be deleted.

The SSID is an eight-character string of any alphanumeric characters that comprise a valid IMS subsystem identification name.

**Restriction:** The default SSID specified on the INIT.RECON or CHANGE.RECON command is not used on this form of the DELETE.LOG command.

**Example of deleting the record of an RLDS and SLDS**

In this example, the interim RLDS and interim SLDS records that are identified by the STARTIME keyword are deleted from the RECON data set.

```
//DELLOG JOB
:
//SYSIN DD *
DELETE.LOG STARTIME(07054121212023456)-
INTERIM
/*
```

**Related concepts:**

 [Deleting unnecessary RECON records \(System Administration\)](#)

**Related reference:**

“DBRC time stamps” on page 52

**DELETE.PART command**

Use the DELETE.PART command to delete from the RECON data set a HALDB partition and all information related to the partition that has been recorded in the RECON data set.

If the partition, or any other partition affected by the deletion, is in use, the command fails and none of the RECON records are deleted.

**Restriction:** You cannot delete individual DBDSs belonging to HALDB partitions with the DELETE.DBDS command. When a DELETE.PART command is issued, it removes all the DBDSs associated with this partition as well as all of their recovery related records (for example, ALLOC, IMAGE, RECOV, and REORG records).

**Subsections:**

- “Syntax”
- “Keywords” on page 186
- “Example of deleting a partition from RECON” on page 186

**Syntax**

►►—DELETE.PART—DBD(*name*)—PART(*name*)—◄◄

## Keywords

### DBD(*name*)

Required keyword you use to identify the HALDB for which the partition is to be deleted.

### PART(*name*)


Required keyword you use to identify the HALDB partition name to be deleted.

## Example of deleting a partition from RECON

In this example, records are deleted from the RECON data set for the partition and its corresponding DB and DBDSs identified by the DBD and NAME keyword.

```
//DELPART JOB
//SYSIN DD *
DELETE.PART DBD(DB3) PART(PART3)
/*
```

### Related concepts:

 Partitions in PHDAM, PHIDAM, and PSINDEX databases (Database Administration)

---

## DELETE.RECOV command

Use the DELETE.RECOV command to delete a specified recovery run record from the RECON data set.

Specifying DELETE.RECOV for the recovery run record of a time-stamp recovery implies that the DBDS or DEDB area that is related to the record has been restored. It has been restored to the state it was in just before the time-stamp recovery that created the recovery run record that you are deleting. Such a deletion also implies that no allocations of the DBDS or DEDB area took place that generated change records on IMS log data sets after the time-stamp recovery occurred.

Subsections:

- “Syntax”
- “Keywords”
- “Example of deleting a recovery record of the DBDS” on page 187

## Syntax

```
▶▶—DELETE.RECOV—DBD(name)—┬—DDN(name)—┬—RECTIME(time_stamp)—▶▶
                             └—AREA(name)—┘
```

## Keywords

### DBD(*name*)

Required keyword you use to identify the recovery record to be deleted; *name* is the database name of the related DBDS or DEDB area.

**Restriction for HALDB databases:** For the DELETE.RECOV command, *name* specifies the name of a HALDB partition.

### DDN(*name*) | AREA(*name*)

Mutually exclusive, required keywords you use to identify the recovery record to be deleted; *name* is the name of the related DBDS or DEDB area.

**RECTIME(*time\_stamp*)**

Required keyword you use to specify the time stamp of the recovery run record to be deleted. Use the time stamp with an adjacent asterisk (\*) in a list of the RECOV record. The time stamp must be in standard form.

**Example of deleting a recovery record of the DBDS**

This example shows the deletion from the RECON data set of the record of a recovery of the DBDS identified by the DBD and DDN keywords. The record to be deleted is identified by the RECTIME keyword.

```
//DELRECOV JOB
:
//SYSIN DD *
DELETE.RECOV DBD(DBDESDSB) DDN(DDNESDSB) -
RECTIME(07089191919023456)
/*
```

**Related reference:**

“DBRC time stamps” on page 52

**DELETE.REORG command**

Use a DELETE.REORG command to delete a database reorganization record for a specified DBDS from the RECON data set.

When you specify the DELETE.REORG command, you are implying that the DBDS and the IMS DBD library have been restored to the state they were in before the reorganization that created the database reorganization record. By using the DELETE.REORG command, you are also implying that no allocations of the reorganized database that generated records in IMS log data sets took place.

Subsections:

- “Syntax”
- “Keywords”
- “Example of deleting a reorganization record of a DBDS” on page 188

**Syntax**

►►—DELETE.REORG—DBD(*name*)—DDN(*name*)—RECTIME(*time\_stamp*)—◀◀

**Keywords****DBD(*name*)**

Required keyword you use to identify the reorganization record to be deleted; *name* is the database name of the related DBDS.

**Restriction for HALDB databases:** For the DELETE.REORG command, *name* specifies the name of a HALDB partition.

**DDN(*name*)**

Required keyword you use to identify the reorganization record to be deleted; *name* is the data set ddname of the related DBDS.

**RECTIME(*time\_stamp*)**

Required keyword you use to identify the specific database reorganization

record to be deleted. Use the time stamp with an adjacent asterisk (\*) in a list of the REORG record. The time stamp must be in standard form.

### Example of deleting a reorganization record of a DBDS

In this example, a record of the reorganization of a DBDS is deleted from the RECON data set.

```
//DELREORG JOB
:
//SYSIN DD *
DELETE.REORG DBD(DBDESDSB) DDN(DDNESDSB) -
RECTIME(07023110223423456)
/*
```

#### Related reference:

“DBRC time stamps” on page 52

---

## DELETE.SG command

Use a DELETE.SG command to delete a service group entry within a global service group record in the RECON data set.

The service group cannot be deleted while a subsystem is signed on to the global service group.

This command fails if RSRFEAT=NO is specified in the IMSCTRL macro.

Subsections:

- “Syntax”
- “Keywords”
- “Example of deleting a global service group record”

### Syntax

```
►►—DELETE.SG—GSGNAME(gsgname)—SGNAME(sname)—◄◄
```

### Keywords

#### GSGNAME(*gsgname*)

Required keyword you use to specify the name of the global service group to which the service group belongs.

#### SGNAME(*sname*)

Required keyword you use to specify the name of the service group to be deleted.

### Example of deleting a global service group record

In this example, a service group entry within a global service group record is deleted from the RECON data set.

```
//DELDBDGP JOB
:
//SYSIN DD *
DELETE.SG GSGNAME(GSGNM1) SGNAME(SGNM1)
/*
```



---

## DELETE.SUBSYS command

Use a DELETE.SUBSYS command to delete the subsystem entry in the RECON data set after it is verified that the specified subsystem is not authorized to use any database.

To close the subsystem log, issue the NOTIFY.PRILOG command, and then issue the DELETE.SUBSYS command.

Subsections:

- “Syntax”
- “Keywords”
- “Example of deleting a specified SUBSYS record”

### Syntax

►►—DELETE.SUBSYS—SSID(*name*)—————►►

### Keywords

#### SSID(*name*)

Required keyword you use to identify the subsystem for which the entry is deleted from RECON if no database is authorized by the subsystem.

When you issue this command online, the IMS control region under which the command was issued cannot be the subsystem being deleted.

### Example of deleting a specified SUBSYS record

In this example, the specified SUBSYS record is deleted if no database is authorized by the subsystem.

```
//DELSBSYS  JOB
:
//SYSIN      DD  *
      DELETE.SUBSYS  SSID(IMS34)
/*
```

**Related reference:**

“CHANGE.SUBSYS command” on page 154

**Related information:**

 DSP0045I (Messages and Codes)

---

## DELETE.UIC command

Use a DELETE.UIC command to delete the record of a nonstandard image copy data set from the RECON data set.

Subsections:

- “Syntax” on page 190
- “Keywords” on page 190
- “Example of deleting a nonstandard image copy data set record” on page 190

## Syntax

►►—DELETE.UIC—DBD(*name*)—┬—DDN(*name*)—┬—RECTIME(*time\_stamp*)—►►  
                                  └—AREA(*name*)—┘

## Keywords

### DBD(*name*)

Required keyword you use to identify the nonstandard image copy record to be deleted; *name* is the database name of the related DBDS or area.

**Restriction for HALDB databases:** For the DELETE.UIC command, *name* specifies the name of a HALDB partition.

### DDN(*name*) | AREA(*name*)

Mutually exclusive, required keywords you use to identify the nonstandard image copy record to be deleted; *name* is the name of the related DBDS or DEDB area.

### RECTIME(*time\_stamp*)

Required keyword you use to specify the time stamp of the nonstandard image copy record to be deleted. Use the time stamp with an adjacent asterisk (\*) in a list of the IMAGE record. The time stamp must be in standard form.

## Example of deleting a nonstandard image copy data set record

This example shows the deletion of a record of a nonstandard image copy data set from the RECON data set.

```
//DELUIC JOB
:
//SYSIN DD *
DELETE.UIC DBD(DBDESDB) AREA(AREAESD2) -
RECTIME(07087121212023456)
/*
```

### Related reference:

“DBRC time stamps” on page 52

---

## Chapter 13. GENJCL commands

Use the GENJCL commands to generate JCL and utility control statements that run the various IMS recovery utilities.

---

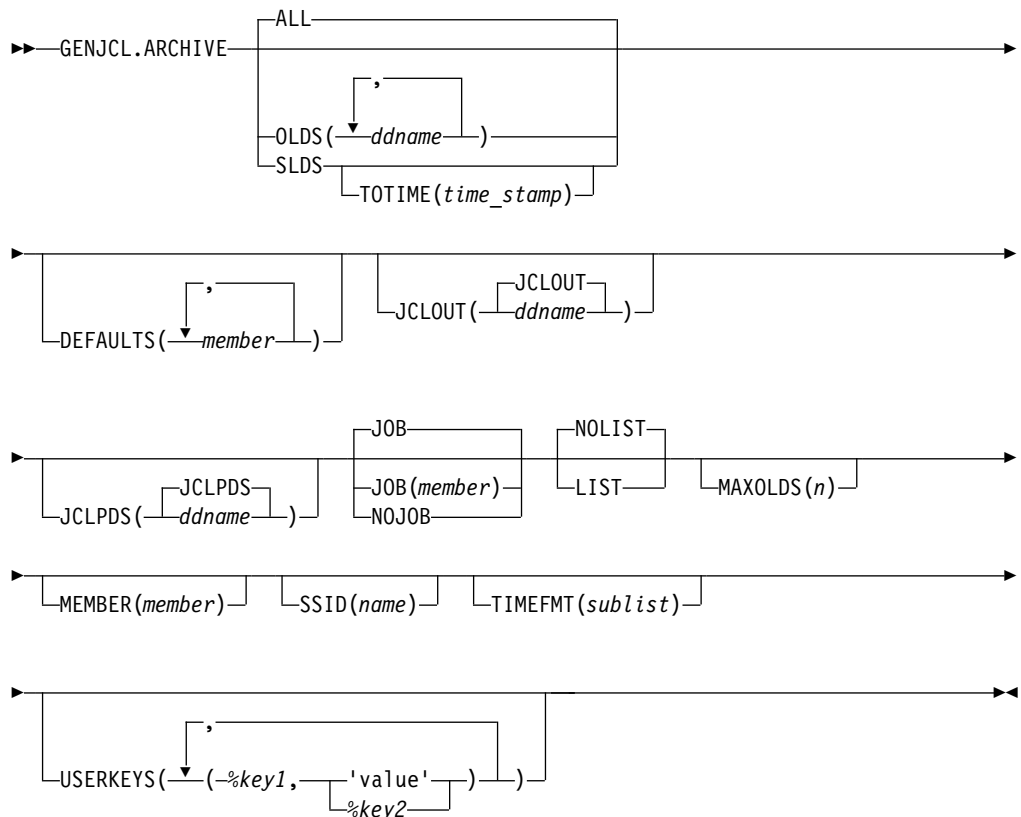
### GENJCL.ARCHIVE command

Use the GENJCL.ARCHIVE command to generate the JCL and utility control statements that run the Log Archive utility.

Subsections:

- "Syntax"
- "Keywords"
- "Examples" on page 194

#### Syntax



#### Keywords

**ALL** | **OLDS(ddname)** | **SLDS**

Mutually exclusive, optional keywords that you use to specify which OLDS is being archived or to request the archive of tracking SLDSs.

**Attention:** Ensure that the RSR tracking IMS subsystem has completed the processing of the SLDS before you run a batch archive. If a tracking IMS process (such as online forward recovery (OFR), log truncation, or catch up) needs to read from an SLDS that is being processed by batch archive, allocation of the SLDS by the tracking IMS fails, and the tracking IMS might terminate abnormally.

#### **ALL**

Generates JCL to archive all OLDSs that have not been archived. A multiple-step job can be produced if either of the following conditions exist:

- The specified subsystem has non-contiguous OLDSs.
- A force-EOV condition occurred after you entered /DBRECOVERY.

#### **OLDS**

Specifies the ddname of the primary OLDS you are archiving.

#### **SLDS**

Generates JCL to archive all tracking SLDSs which are associated with the specified subsystem that have not been archived. A multiple-step job can be produced if the PRISLD or SECSLD (or both) have non-contiguous data set entries that need to be archived, or if they have more unarchived DSNs than the specified MAXOLDS value.

#### **TOTIME(*time\_stamp*)**

Specifies that only tracking log data sets with start times older than or equal to *time\_stamp* are to be archived. This keyword is optional and is valid only when SLDS is also specified. Otherwise it is ignored. The time stamp must be in standard format.

#### **DEFAULTS(*member*)**

Optional keyword you use to specify up to 10 skeletal JCL default members to be used when generating JCL. Default members are searched to resolve keywords in the order in which the members are specified on this keyword.

If a keyword is assigned a value in both the DEFAULTS and USERKEYS keywords, the value specified in USERKEYS is used.

#### **JCLOUT(JCLOUT | *ddname*)**

Optional keyword you use to specify the output data set for the generated JCL. The data set is specified by *ddname*. A JCL DD statement with this ddname must be included in the job step containing the GENJCL command. The specified data set can be a member of a partitioned data set (PDS) as long as it is not the same data set used for the default JCLOUT.

#### **JCLPDS(JCLPDS | *ddname*)**

Optional keyword you use to specify the skeletal JCL data set that is to be used for input when generating JCL. The data set that is specified by *ddname*. A JCL DD statement with this ddname must be included in the job step containing the GENJCL command.

#### **JOB | JOB(*member*) | NOJOB**

Mutually exclusive, optional keywords that you use to specify whether to produce the job statement in the generated JCL.

#### **JOB**

Specifies that the job statement is to be produced. When JOB is specified without a member name, the IBM-supplied execution member JOBJCL produces the job statement. When JOB(*member*) is specified, the specified execution member produces the job statement.

**NOJOB**

Specifies that the job statement is not produced in the generated JCL.

**NOLIST | LIST**

Mutually exclusive, optional keywords that you use to specify whether to print the generated JCL using the SYSPRINT data set.

**NOLIST**

Suppresses printing of the generated JCL.

**LIST**

Prints the generated JCL.

**MAXOLDS(*n*)**

Optional keyword you use to specify the maximum number of OLDSSs or SLDSs to be archived in a single job. *n* can be any decimal number from 1 to 100.

If MAXOLDS is specified and more OLDSSs need archiving than are specified in *n*, multiple jobs are generated. Each generated job archives no more than *n* OLDSSs.

This keyword functions somewhat differently for SLDSs than for OLDSSs. If MAXOLDS is specified and more SLDSs need archiving than are specified in *n*, multiple job steps are generated. Each generated job step archives no more than *n* SLDSs.

MAXOLDS applies only to the primary data sets. If dual logging is in effect, each job can have DD statements for the secondary and primary data sets (that is, DD statements for 2 × *n* data sets).

If you do not specify MAXOLDS, a single job is generated for all OLDSSs or SLDSs.

**MEMBER(*member*)**

Optional keyword you use to specify the name of the skeletal JCL execution member to be used. If this keyword is not specified, the IBM-supplied execution member for the GENJCL.ARCHIVE command is used.

**SSID(*name*)**

Optional keyword you use to specify the name of the IMS subsystem that created the OLDSSs or SLDSs that are to be archived.

The SSID is an eight-character string of any alphanumeric characters that comprise a valid IMS subsystem identification name. If you do not specify SSID, DBRC uses the default subsystem identifier in the RECON header record. Use the INIT.RECON or CHANGE.RECON command to set the default system identifier in the RECON header record. If you have not set a default in the RECON header record, you must specify SSID.

**TIMEFMT(*sublist*)**

Optional keyword you use to define the form in which time stamps appear in user-defined output. This specification overrides both the GENJCL default values and any values set on %SET statements in the input skeletal JCL.

The default for the GENJCL output time format is compressed, with a two-digit year, and the offset in numeric form: 960021315001 +0700. If you want the output time stamps to appear without offsets, for example, you can override the default with TIMEFMT(*N*).

The override is good only for the duration of a single GENJCL command.

**USERKEYS(%*key1*, '*value*' | %*key2*)**

Optional keyword you use to set the value of keywords you have defined. Up to 64 keywords can be specified.

*%key1*

User-defined keyword being assigned a value. The maximum length of the keyword is 8 characters, including the percent sign. The first character after the percent sign must be alphabetic (A-Z). The remaining characters must be alphanumeric (A-Z, 0-9).

*'value'*

Value assigned to the user-defined keyword. *value* can be any character string enclosed in single quotation marks. The maximum length of *value* is 132 characters (excluding the quotation marks). If *value* itself contains a quotation mark, specify two single quotation marks. (For example, if *value* is TRK'S, specify 'TRK' 'S'). *value* can be a null string ("). If *value* is a time stamp, you can set it to 0.

*%key2*

Any simple keyword that was previously assigned a value, including DBRC-defined and user-defined keywords.

Any keyword can be assigned a value with the USERKEYS keyword. However, if you assign a value to DBRC-defined keywords, the value is ignored.

If a keyword is assigned a value in both the USERKEYS and DEFAULTS keyword, the value specified in USERKEYS is used.

## Examples

Here are some examples of using the GENJCL.ARCHIVE command.

### *Example with primary OLDS defined by the OLDS keyword*

In this example, a GENJCL.ARCHIVE command generates the JCL and control statements required to run the Log Archive utility for the primary OLDSs that are defined by the OLDS keyword. When this command is issued, the PRIOLDS record in the RECON data set is updated to indicate that an archive has been scheduled for the OLDS. Default skeletal member ARCHJCL is taken from the data set that is identified in the JCLPDS DD statement. The generated JCL goes to the data set identified in the JCLOUT DD statement. Skeletal member JOBJCL produces a job statement.

```
//GENJAR JOB
//JCLOUT DD . . .
//JCLPDS DD . . .
:
//SYSIN DD *
GENJCL.ARCHIVE SSID(IMSA) -
                OLDS(DFSOLP01,DFSOLP02)
/*
```

As part of the archive process, the PRIOLDS record in the RECON data set is updated to indicate that the archive has completed. The RECON data set is updated with the PRISLD and SECSLD records that identify the created SLDSs. In addition, the RECON data set is updated with the PRILOG and SECLOG records that identify the created RLDSs.

### *Example of the SSID IMSB OLDS keyword defining the primary OLDS*

In this example, a GENJCL.ARCHIVE command generates JCL to archive the primary OLDS that is defined in the OLDS keyword for SSID IMSB. JCL execution member ARCHJCLA is taken from the JCLPDS data set that is identified in the PDSJCL DD statement. The generated JCL goes to SYSOUT=A, which is identified in the OUTJCL DD statement. Skeletal member JOBJCL produces a job statement.

```
//GENJAR1 JOB
//OUTJCL DD SYSOUT=A
//PDSJCL DD DSN=dsname
//SYSIN DD *
GENJCL.ARCHIVE SSID(IMSB) OLDS(DFSOLP01) MEMBER(ARCHJCLA) -
JCLPDS(PDSJCL) JCLOUT(OUTJCL)
```

### *Example for unarchived default subsystem OLDSs*

In this example, the GENJCL.ARCHIVE command generates JCL and control statements to archive all unarchived OLDSs for the default subsystem ID.

JCL execution member ARCHJCLB is taken from the JCLPDS data set that is identified by the JCLPDS DD statement. Member DEFARC01 from the JCLPDS data set (identified in the JCLPDS DD statement) contains values to resolve user-defined keywords in ARCHJCLB. %SSPACE is a user-defined keyword in member ARCHJCLB which is assigned a value of 'CYL,1'. %RSPACE is a user-defined keyword in member ARCHJCLB, which is assigned a value of 'TRK,4'.

The values specified in the USERKEYS keyword for a keyword overrides the values found in the DEFAULTS member. JOB1 is a member in the JCLPDS that produces a job statement.

```
//GENJAR2 JOB
//JCLPDS DD . . .
//JCLOUT DD . . .
//SYSIN DD *
GENJCL.ARCHIVE MEMBER(ARCHJCLB) DEFAULTS(DEFARC01) -
USERKEYS((%SSPACE, 'CYL,1'), (%RSPACE, 'TRK,4')) JOB(JOB1)
```

### **Related reference:**

“Generating JCL and user-defined output” on page 241

“DBRC time stamps” on page 52

“Skeletal JCL syntax” on page 244

## **GENJCL.CA command**

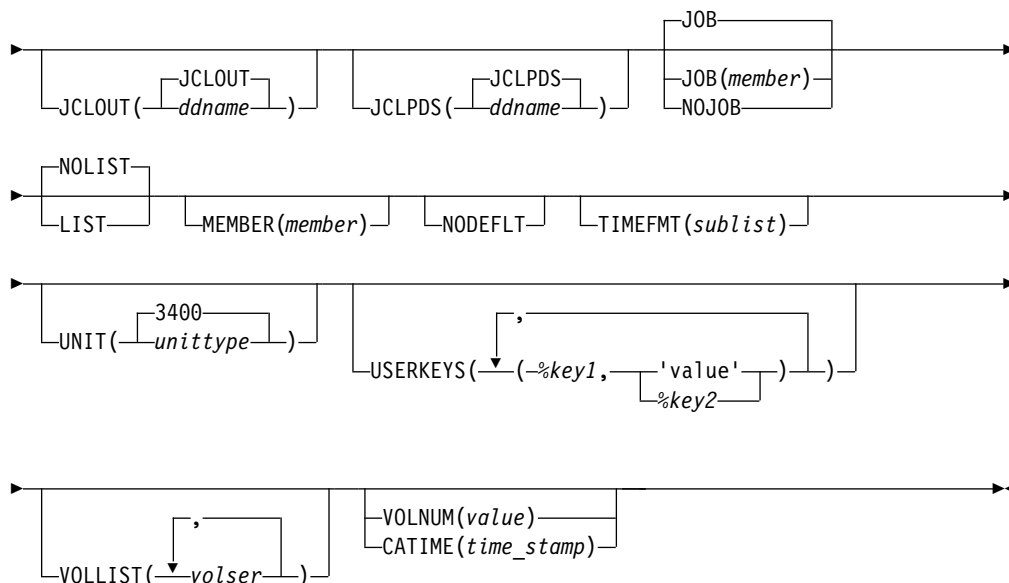
Use the GENJCL.CA command to generate the JCL and utility control statements to run the Change Accumulation utility for a specified CA group.

Subsections:

- “Syntax”
- “Keywords ” on page 196
- “Examples” on page 198

### **Syntax**

```
►► GENJCL.CA—GRPNAME(name)—
```



## Keywords

### GRPNAME(*name*)

Required keyword you use to specify the name of the CA group for which you are running the Change Accumulation utility.

### DEFAULTS(*member*)

Optional keyword you use to specify the names of up to 10 skeletal JCL default members that are used when generating JCL. Default members are searched to resolve keywords in the order in which the members are specified on this keyword.

If a keyword is assigned a value in both the DEFAULTS and USERKEYS keywords, the value specified in USERKEYS is used.

### JCLOUT(JCLOUT | *ddname*)

Optional keyword you use to specify the output data set for the generated JCL. The data set is specified by *ddname*. A JCL DD statement with this *ddname* must be included in the job step containing the GENJCL command. The specified data set can be a member of a partitioned data set as, but only if it is not the same data set that is used for the default, JCLOUT.

### JCLPDS(JCLPDS | *ddname*)

Optional keyword you use to specify the skeletal JCL data set that is to be used for input when generating JCL. The data set is specified by *ddname*. A JCL DD statement with this *ddname* must be included in the job step containing the GENJCL command.

### JOB | JOB(*member*) | NOJOB

Mutually exclusive, optional keywords that you use to specify whether to produce the first job statement in the generated JCL.

#### JOB

Specifies that the job statement is to be produced. When JOB is specified without a member name, the IBM-supplied execution member JOBJCL produces the job statement.

#### JOB(*member*)

Specified execution member produces the job statement.



**NOJOB**

Specifies that the job statement is not produced in the generated JCL.

**NOLIST | LIST**

Mutually exclusive, optional keywords that you use to specify whether you want the generated JCL to be written to the SYSPRINT data set.

**NOLIST**

Suppresses the printing of the generated JCL.

**LIST**

Prints the generated JCL.

**MEMBER(*member*)**

Optional keyword you use to specify the name of the skeletal JCL execution member that is to be used. If this keyword is not specified, the default specified for the CA group is used.

**NODEFLT**

Optional keyword you use to specify that the implicit skeletal JCL default member, if any, for the CA group is not to be used.

**TIMEFMT(*sublist*)**

Optional keyword you use to define the form in which time stamps appear in user-defined output. This specification overrides both the GENJCL default values and any values set on %SET statements in the input skeletal JCL.

The default for the GENJCL output time format is compressed, with a two-digit year, and the offset in numeric form: 960021315001 +0700. If you want the output time stamps to appear without offsets, for example, you can override the default with TIMEFMT(N).

The override is good only for the duration of a single GENJCL command.

**UNIT(3400 | *unittype*)**

Optional keyword you use to specify the unit type of the output change accumulation data set. This keyword is valid only when both of the following conditions are true:

- The VOLLIST keyword is specified.
- The CA group for which the JCL is being generated is defined with the NOREUSE keyword.

**USERKEYS(*%key1*, '*value*' | *%key1*, *%key2*)**

Optional keyword you use to set the value of keywords you have defined. Up to 64 keywords can be specified.

***%key1***

User-defined keyword being assigned a value. The maximum length of the keyword is 8 characters, including the percent sign. The first character after the percent sign must be alphabetic (A-Z). The remaining characters must be alphanumeric (A-Z, 0-9).

**'*value*'**

Value assigned to the user-defined keyword when it is encountered. *value* can be any character string enclosed in single quotation marks. The maximum length of *value* is 132 characters (excluding the quotation marks). If *value* contains a quotation mark, use two single quotation marks. *value* can be a null string ("). If *value* is a time stamp, it can be 0.

*%key2*

Any simple keyword that was previously assigned a value, including DBRC-defined and user-defined keywords.

Any keyword can be assigned a value with the USERKEYS keyword. However, if you assign a value to DBRC-defined keywords, the value is ignored.

If a keyword is assigned a value in both the USERKEYS and DEFAULTS keyword, the value specified in USERKEYS is used.

#### **VOLLIST**(*volser*)

Optional keyword you use to specify the volumes that are to contain the change accumulation data set. This keyword is valid only if the CA group for which the JCL is being generated was defined with the NOREUSE keyword.

#### **VOLNUM**(*value*) | **CATIME**(*time*)

Mutually exclusive, optional keywords that you use to specify the log volumes that are used by the Change Accumulation utility.

#### **VOLNUM**(*value*)

Specifies the number of log volumes that are to be used in each change accumulation job step. DBRC generates a multiple-step job that invokes the Change Accumulation utility in each step (unless you specify VOLLIST), and limits the number of log volumes in each step to the specified number. If another volume is needed to complete subset processing, VOLNUM may be overridden by DBRC. DBRC may also override VOLNUM for the following reasons:

- CATDS is specified and a data set entry spans multiple volumes.
- Log volumes have identical start times.
- Log volumes have identical start times and stop times.

For *value*, specify the number of log volumes. You can specify a decimal number from 1 to 255.

Each job step except the first one uses the change accumulation data set (that was generated in the previous step) as the beginning point of the accumulation in that step.

#### **CATIME**(*time\_stamp*)

Specifies the time after which no log volumes for the specified CA group are to be included. The time stamp does not need to be the stop time of any log volume. DBRC uses the time stamp as the ending delimiter for the log volume subset. Therefore, all log volumes that have start times less than or equal to the specified time stamp are included in the subset of volumes. The time stamp must be in standard form.

## **Examples**

Here are some examples of using the GENJCL.CA command.

### *Example for the GRPNAME CA group*

In this example, a GENJCL.CA command generates the JCL and control statements required to run the Change Accumulation utility for the CA group identified in the GRPNAME keyword. CAGRP1 is defined as REUSE. If the INIT.CAGRP command for CAGRP1 is specified without a CAJCL(*member*) keyword, default skeletal member CAJCL from the data set identified in the JCLPDS DD statement is used. If INIT.CAGRP is specified with the CAJCL(*member*) keyword, that member is

used. The generated JCL goes to the data set that is identified in the JCLOUT DD statement. Skeletal member JOBJCL produces a job statement.

```
//GENJCA JOB
//JCLPDS DD . . .
//JCLOUT DD . . .

:
//SYSIN DD *
        GENJCL.CA      GRPNAME(CAGRP1)
/*
```

### *Example of CAJCLA generated skeletal JCL*

In this example, the GENJCL.CA command is generated with skeletal JCL execution member CAJCLA, which was taken from the JCLPDS data set identified by the PDSJCL DD statement. Output from the generated JCL goes to SYSOUT=A, identified in the OUTJCL DD statement. CAGRP2 is defined with the NOREUSE keyword. Skeletal member JOBJCL produces a job statement.

```
//GENJCA1 JOB
//OUTJCL DD SYSOUT=A
//PDSJCL DD DSN=dsname
//SYSIN DD *
GENJCL.CA GRPNAME(CAGRP2) VOLLIST(VOL001) MEMBER(CAJCLA) -
JCLPDS(PDSJCL) JCLOUT(OUTJCL)
```

### *Example of CAJCLB generated skeletal JCL*

In this example, the GENJCL.CA command generates JCL and control statements to run the Change Accumulation utility for CAGRP3, which is defined as REUSE. JCL execution member CAJCLB is taken from the JCLPDS data set identified by the JCLPDS DD statement.

DEFAULTS(DEFCA01) is a member in the JCLPDS data set which contains values to resolve user defined keywords in member CAJCLB. The default member for the CAGRP, if initialized in the INIT.CAGRP DEFLTJCL(MEMBER) command, is also used to resolve keywords. %DISP is a user-defined keyword in member CAJCLB which is assigned a value of 'SHR'. %OUTCLS is a user-defined keyword in member CAJCLB which is assigned a value of 'B'.

The values in the explicitly defined DEFAULTS member overrides values in the predefined DEFLTJCL member. The values specified in the USERKEYS keyword for a keyword overrides the values found in the DEFAULTS member. JCL is generated with no job statement. All volumes that have stop times less than or equal to the specified time stamp are included in the subset of volumes that is used as input to the Change Accumulation utility. Generated JCL is listed.

```
//GENJCA3 JOB
//JCLPDS DD
//JCLOUT DD
//SYSIN DD *
GENJCL.CA GRPNAME(CAGRP3) MEMBER(CAJCLB) DEFAULTS(DEFCA01) -
USERKEYS((%DISP, 'SHR'), (%OUTCLS, 'B')) NOJOB LIST -
CATIME(071020202111)
```

#### **Related reference:**

“Generating JCL and user-defined output” on page 241

“DBRC time stamps” on page 52

“Skeletal JCL syntax” on page 244

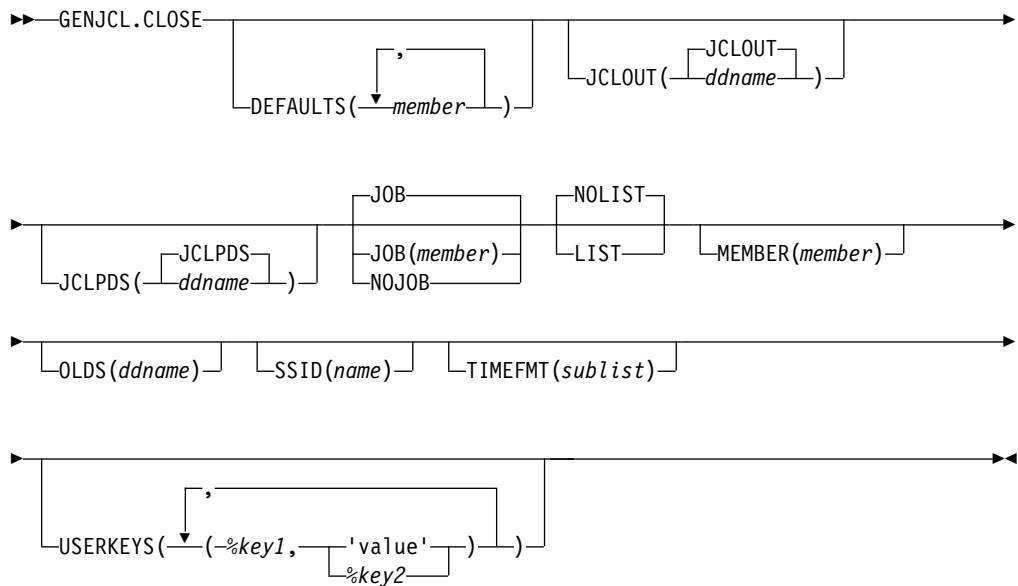
## GENJCL.CLOSE command

Use the GENJCL.CLOSE command to generate the JCL and utility control statements that run the Log Recovery utility to close an OLDS using the WADS.

Subsections:

- “Syntax”
- “Keywords”
- “Examples” on page 202

### Syntax



### Keywords

#### DEFAULTS(*member*)

Optional keyword you use to specify up to 10 names of skeletal JCL default members used when generating JCL. Default members are searched to resolve keywords in the order in which the members are specified on this keyword.

If a keyword is assigned a value in both the DEFAULTS and USERKEYS keywords, the value specified in USERKEYS is used.

#### JCLOUT(JCLOUT | *ddname*)

Optional keyword you use to specify the output data set for the generated JCL. The data set is specified by *ddname*. A JCL DD statement with this *ddname* must be included in the job step containing the GENJCL command. The specified data set can be a member of a partitioned data set, but only if it is not the same data set that is used for the default, JCLOUT.

#### JCLPDS(JCLPDS | *ddname*)

Optional keyword you use to specify the skeletal JCL data set to be used for input when generating JCL. The data set is specified by *ddname*. A JCL DD statement with this *ddname* must be included in the job step containing the GENJCL command.

**JOB | JOB(*member*) | NOJOB**

Mutually exclusive, optional keywords that you use to specify whether to produce the job statement in the generated JCL.

**JOB**

Specifies that the job statement is produced. When JOB is specified without a member name, the IBM-supplied execution member JOBJCL produces the job statement.

**JOB(*member*)**

Specified execution member produces the job statement.

**NOJOB**

Specifies that no job statement is to be produced in the generated JCL.

**NOLIST | LIST**

Mutually exclusive, optional keywords that you use to specify whether you want the generated JCL to be written to the SYSPRINT data set.

**NOLIST**

Suppresses the printing of the generated JCL.

**LIST**

Prints the generated JCL.

**MEMBER(*member*)**

Optional keyword you use to specify the name of the skeletal JCL execution member to be used. If this keyword is not specified, the IBM-supplied execution member for the GENJCL.CLOSE command is used.

**OLDS(*ddname*)**

Optional keyword you use to specify which OLDS is to be closed. You specify the name of the DD statement that was used when the online IMS subsystem created the log data. The *ddname* of the primary OLDS must be specified. If you do not specify the OLDS, DBRC generates JCL to close the OLDS that was most recently opened.

**SSID(*name*)**

Optional keyword you use to specify the name of the IMS subsystem that created the OLDSs being closed.

The SSID is an eight-character alphanumeric string that comprises a valid IMS subsystem identification name. If you do not specify SSID, DBRC uses the default subsystem identifier in the RECON header record. Use the INIT.RECON or CHANGE.RECON command to set the default system identifier in the RECON header record. If you have not set a default in the RECON header record, you must specify SSID.

**TIMEFMT(*sublist*)**

Optional keyword you use to define the form in which time stamps appear in user-defined output. This specification overrides both the GENJCL default values and any values set on %SET statements in the input skeletal JCL.

The default for the GENJCL output time format is compressed, with a two-digit year, and the offset in numeric form: 960021315001 +0700. If you want the output time stamps to appear without offsets, for example, you can override the default with TIMEFMT(*N*).

The override is good only for the duration of a single GENJCL command.

**USERKEYS(%*key1*, '*value*' | %*key2*)**

Optional keyword you use to set the value of keywords you have defined. Up to 64 keywords can be specified.

*%key1*

User-defined keyword that is being assigned a value. The maximum length of the keyword is 8 characters, including the percent sign. The first character after the percent sign must be alphabetic (A-Z). The remaining characters must be alphanumeric (A-Z, 0-9).

*'value'*

Value assigned to the user-defined keyword when it is encountered. *value* can be any character string enclosed in single quotation marks. The maximum length of *value* is 132 characters (excluding the quotation marks). If *value* contains a quotation mark, use two single quotation marks. *value* can be a null string ("). If *value* is a time stamp, it can be 0.

*%key2*

Any simple keyword that was previously assigned a value, including DBRC-defined and user-defined keywords.

Any keyword can be assigned a value with the USERKEYS keyword. However, if you assign a value to DBRC-defined keywords, the value is ignored.

If a keyword is assigned a value in both the USERKEYS and DEFAULTS keyword, the value specified in USERKEYS is used.

## Examples

Here are some examples of using the GENJCL.CLOSE command.

### *Example when a host operating system failed and /ERE is not possible*

In this example, a GENJCL.CLOSE command generates the JCL and control statements that are required to run the Log Recovery utility for the IMS online subsystem with subsystem ID IMSA, which was using a primary OLDS when a host operating system failed and /ERE could not be performed. Default skeletal member LOGCLJCL is taken from the data set identified in the JCLPDS DD statement. Output from the generated JCL goes to the data set identified in the JCLOUT DD statement. Skeletal member JOBJCL produces a job statement.

```
//GENJCL JOB
//JCLOUT DD
//JCLPDS DD
:
//SYSIN DD *
        GENJCL.CLOSE SSID(IMSA)
/*
```

After the close job runs, the PRIOLDS record in the RECON data set that corresponds to the OLDS is updated to indicate the successful close.

### *Example using the CLOSE1 JCLPDS member*

In this example, the GENJCL.CLOSE command is generated with a skeletal JCL execution member CLOSE1, which is taken from the JCLPDS data set identified in the PDS DD statement. Output from the generated JCL goes to the data set identified in the OUT DD statement. MEMBER DEFCL1 from the JCLPDS DD statement contains values to resolve user-defined keywords in member CLOSE1. Skeletal member JOBJCL produces a job statement. Generated JCL is listed.

```

//GENJCL1 JOB
//OUT      DD  . . .
//PDS     DD  . . .
//SYSIN   DD  *
GENJCL.CLOSE MEMBER(CLOSE1) OLDS(DFSOLP01) -
JCLPDS(PDS) JCLOUT(OUT) DEFAULTS(DEFCL1) LIST

```

**Related reference:**

“Generating JCL and user-defined output” on page 241

“DBRC time stamps” on page 52

“Skeletal JCL syntax” on page 244

## GENJCL.IC command

Use the GENJCL.IC command to generate the JCL and utility control statements needed to run the Database Image Copy utility or the Database Image Copy 2 utility.

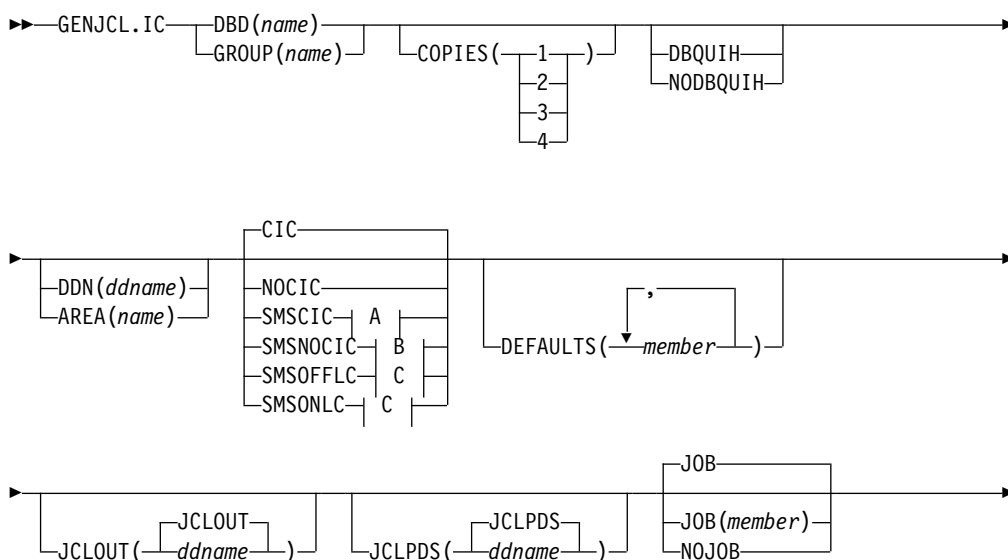
**Important:**

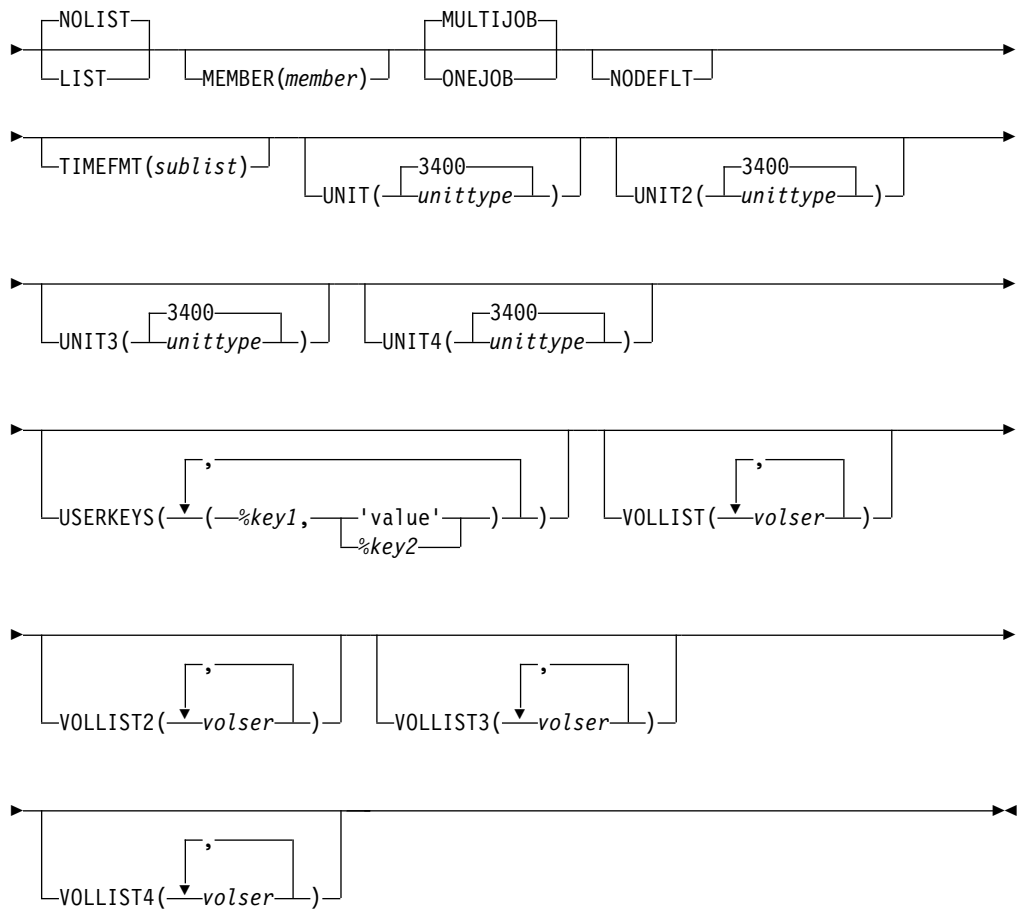
- For HALDB partitions, the GENJCL.IC command treats ILDS and index data sets differently than data DBDSs. The GENJCL.IC command skips these data sets in groups, regardless of whether the groups are explicit or implicit. If you explicitly specify one of these data sets, the GENJCL.IC command fails.
- For HALDB DBDSs, the GENJCL.IC command does not generate DD statements for the DBDSs to be copied. The SYSIN control statement identifies which active DBDSs to copy. These can be either the A-through-J data set or the M-through-V data sets.

Subsections:

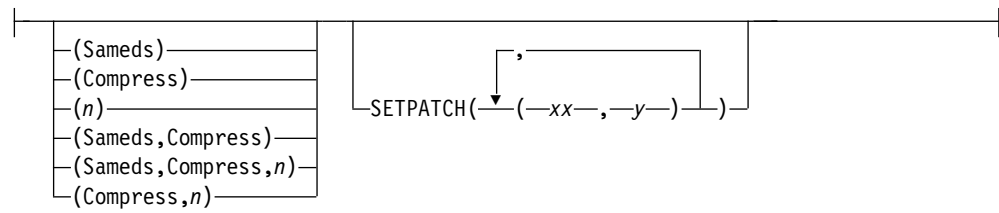
- “Syntax”
- “Keywords” on page 205
- “Examples” on page 215

### Syntax

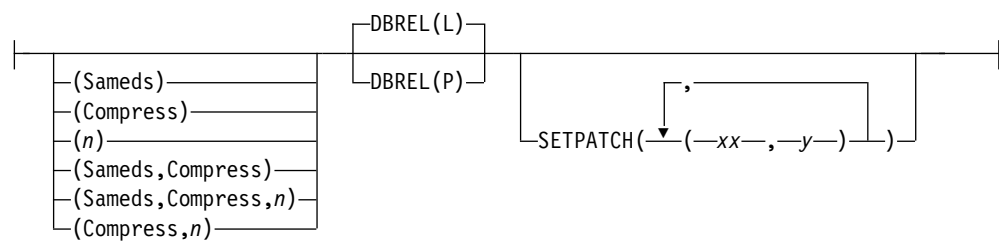




**A:**

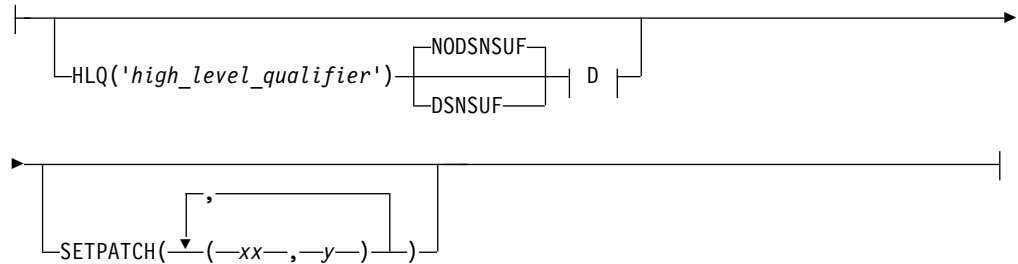


**B:**





**C:**



**D:**



## Keywords

**DBD**(*name*) | **GROUP**(*name*)

Mutually exclusive, required keywords that you use to specify the database or DBDS group for which DBDSs are to be copied.

**DBD**(*name*)

Specifies the name of the database that contains the DBDS or area to be copied.

If DDN is omitted and ONEJOB is specified for a SMSCIC or SMSNOCIC image copy, a utility control statement specifying the DBD name as the group name is generated in the JCL.

**Restriction for HALDB databases:** For the GENJCL.IC command, *name* specifies the name of either a HALDB master database name or a HALDB partition name.

**GROUP**(*name*)

Specifies that all DBDSs of a DBDS group are to be copied. If GROUP is specified, the GENJCL.IC command executes repeatedly for each DBDS of the named DBDS group.

If GROUP and ONEJOB are specified for an SMSCIC or SMSNOCIC image copy, a utility control statement specifying the group name is generated in the JCL.

**COPIES**(1 | 2 | 3 | 4)

Optional keyword you use to specify how many image copy data sets are to be produced for the specified DBDS.

If the specified DBDS is identified in the RECON data set with the NOREUSE attribute, you can specify the COPIES keyword if you want two or more image copy data sets; otherwise, one image copy data set is produced. COPIES(3 | 4) can only be specified if either SMSCIC or SMSNOCIC is also specified. The third and fourth copies are not recorded in the RECON data set.

If the specified DBDS is identified in the RECON data set with the REUSE attribute, the COPIES keyword is not allowed. The number of copies is determined by the number of pre-defined image copy data sets specified on the INIT.IC command.

DFSMS fast replication does not support multiple output copies. If you specify either SMSOFFLC or SMSONLC with the GENJCL.IC command, you cannot specify values 2, 3, or 4 for COPIES.

#### **DBQUIH | NODBQUIH**

Mutually exclusive, optional keywords that you use to override the current database quiesce settings in the RECON data set.

The JCL generated for image copy or hardcoded by the user must specify DISP=SHR, because the online IMS subsystems can have the database data sets allocated during a database quiesce. DBRC generates DISP=SHR for all image copies except batch image copies. For batch image copies, the DISP is set to DISP=OLD. When the QUIESCE HELD flag is set on in the RECON data set, DBRC will generate JCL with DISP=SHR instead of DISP=OLD. The following keywords can be used to override the current settings in the RECON data set.

#### **DBQUIH**

Specifies that the database will be quiesced when the JCL is executed. DISP=SHR is set in the generated JCL.

#### **NODBQUIH**

Specifies that the database will not be quiesced when the JCL is executed. DISP=OLD is set in the generated JCL.

If neither of these keywords are specified, DBRC will set the DISP value for batch image copies based on the status of the QUIESCE HELD flag at the time the JCL is generated. If the QUIESCE HELD flag is on in the DB or AREA record in the RECON data set, DISP=SHR is set. If the QUIESCE HELD flag is off, DISP=OLD is set.

#### **DDN(ddname) | AREA(name)**

Mutually exclusive, optional keywords that you use to identify the DBDS ddname or DEDB area name that is to be copied.

Specify the DDN or AREA keyword only if you specify the DBD keyword. If you do not specify DDN or AREA, the GENJCL.IC command executes repeatedly, once for each DBDS or area of the specified database. If you specify a HALDB master name, the GENJCL.IC command is performed for all data DBDSs for each partition in the HALDB master database. If you specify a HALDB partition name, the GENJCL.IC command is performed for all data DBDSs of the identified partition.

For HALDB databases, you must specify a partition database name with the DBD keyword in order to use the DDN keyword. The DDN keyword value is the partition DDN. The GENJCL.IC command is performed for the identified DBDS of the partition. The GENJCL.IC command fails if DDN does not identify a data DBDS in the partition.

#### **CIC | NOCIC | SMSCIC(Sameds | Compress | n | any combination) | SMSNOCIC(Sameds | Compress | n | any combination) DBREL(L | P) | SMSOFFLC | SMSONLC**

Optional keywords that you use to indicate how the image copy is to be taken.

**Restriction:** CIC and SMSCIC cannot be used for nonrecoverable or user-recoverable databases.

#### **CIC**

Specifies that the Database Image Copy (DFSUDMP0) utility is to be used to take an image copy. If CIC is specified, the copy is concurrent with update processing.

## **NOCIC**

Specifies that the Database Image Copy (DFSUDMP0) utility is to be used to take an image copy. If NOCIC is specified, the copy is made while the database is unavailable for update processing.

## **SMSCIC(Sameds | Compress | *n* | any combination) | SETPATCH**

Indicates that the Database Image Copy 2 utility is to be used to take an image copy concurrent with update processing. The Database Image Copy 2 utility invokes DFSMSdss to dump the database data set or sets using the Concurrent Copy option.

### **Sameds**

An optional keyword you use to specify that all the image copies generated by the job set are to be written to a single output data set. This option is not valid if any of the DBDs or areas have the REUSE attribute, if ONEJOB is not specified, or if more than 255 data sets one or the other or both areas are to be copied. You can abbreviate this option when specifying it. When a DBDS group (explicit or implicit) is specified, this option applies to all members of the group.

### **Compress**

An optional keyword that directs the utility to use compression. The compress option enables you to reduce the storage space required to hold the image copy; however, using the compress option increases the CPU time that is required to perform the copy operation. You can abbreviate this option when specifying it. When a DBDS group (explicit or implicit) is specified, this option applies to all members of the group.

The utilities request compression services from DFSMSdss. When the Image Copy 2 utility requests compression services, it issues the DFSMSdss DUMP command with the COMPRESS ZCOMPRESS(PREFERRED) options, so that if z/Enterprise Data Compression (zEDC) services are enabled in your z/OS system, zEDC is used for compression. zEDC uses less CPU and improved compression algorithms.

*n* An optional keyword you use to specify the value to be used for the DFSMSdss OPTIMIZE keyword. *n* is a number from 1 to 4 where:

- If *n* is 1, DFSMSdss reads one track at a time.
- If *n* is 2, DFSMSdss reads two tracks at a time.
- If *n* is 3, DFSMSdss reads five tracks at a time.
- If *n* is 4, DFSMSdss reads one cylinder at a time.

If *n* is not specified, the default is 1 for SMSCIC and 4 for SMSNOCIC. Note that the higher values use more real and virtual storage and keeps the channel busier for longer blocks of time. You can abbreviate this option when specifying it. When a DBDS group (explicit or implicit) is specified, this option applies to all members of the group.

### **SETPATCH((*xx1*,*y1*),(*xx2*,*y2*) ... (*xxn*,*yn*))**

A keyword that specifies DFSMSdss processing options by defining the SET PATCH offsets that the Image Copy 2 utility passes to DFSMSdss. SETPATCH is applicable only when SMSCIC, SMSNOCIC, SMSONLC or SMSOFFLC is specified.

Offsets *xx1* through *xxn* are patch bytes, and *y1* through *yn* are the values to which the corresponding patch byte is to be set. Up to 32 pairs of patch bytes and values can be supplied.

**SMSNOCIC(Sameds | Compress | *n* | any combination) | DBREL(L | P) | SETPATCH**

Indicates that the Database Image Copy 2 utility is to be used to take an image copy while the database is unavailable for update processing. The Database Image Copy 2 utility invokes DFSMSdss to dump the database data set(s) using the Concurrent Copy option.

**Sameds**

An optional keyword you use to specify that all the image copies generated by the job are to be written to a single output data set. This option is not valid if any of the DBDs or areas have the REUSE attribute, if ONEJOB is not specified, or if more than 255 data sets one or the other or both areas are to be copied. You can abbreviate this option when specifying it. When a DBDS group (explicit or implicit) is specified, this option applies to all members of the group.

**Compress**

An optional keyword that directs the utility to use compression. The compress option enables you to reduce the storage space required to hold the image copy; however, using the compress option increases the CPU time that is required to perform the copy operation. You can abbreviate this option when specifying it. When a DBDS group (explicit or implicit) is specified, this option applies to all members of the group.

The utilities request compression services from DFSMSdss. When the Image Copy 2 utility requests compression services, it issues the DFSMSdss DUMP command with the COMPRESS ZCOMPRESS(PREFERRED) options, so that if z/Enterprise Data Compression (zEDC) services are enabled in your z/OS system, zEDC is used for compression. zEDC uses less CPU and improved compression algorithms.

*n* An optional keyword you use to specify the value to be used for the DFSMSdss OPTIMIZE keyword. *n* is a number from 1 to 4 where:

- If *n* is 1, DFSMSdss reads one track at a time.
- If *n* is 2, DFSMSdss reads two tracks at a time.
- If *n* is 3, DFSMSdss reads five tracks at a time.
- If *n* is 4, DFSMSdss reads one cylinder at a time.

If *n* is not specified, the default is 1 for SMSCIC and 4 for SMSNOCIC. Note that the higher values use more real and virtual storage and keeps the channel busier for longer blocks of time. You can abbreviate this option when specifying it. When a DBDS group (explicit or implicit) is specified, this option applies to all members of the group.

**DBREL(L | P)**

Indicates when the database is to be made available for update processing. DBREL is applicable only when SMSNOCIC is also specified. IMS ignores DBREL when it is specified with SMSCIC.

L L indicates that updates are to be allowed after the image copy is logically complete (after DFSMS has initialized a concurrent copy session). Update processing can occur (or be resumed) before the image copy is physically complete.

P P indicates that updates are not to be allowed until the image copy is physically complete.

**SETPATCH((*xx1,y1*),(*xx2,y2*) ... (*xxn,yn*))**

A keyword that specifies DFSMSDss processing options by defining the SET PATCH offsets that the Image Copy 2 utility passes to DFSMSDss. SETPATCH is applicable only when SMSCIC, SMSNOCIC, SMSONLC or SMSOFFLC is specified.

Offsets *xx1* through *xxn* are patch bytes, and *y1* through *yn* are the values to which the corresponding patch byte is to be set. Up to 32 pairs of patch bytes and values can be supplied.

**SMSOFFLC**

Indicates that the Database Image Copy utility is to be used to take an image copy while the database is unavailable for update processing. This option directs Database Image Copy 2 to invoke DFSMS Fast Replication.

**HLQ(*high\_level\_qualifier*)**

Indicates the data set high-level qualifier to be used to create the output data set name, when the output data sets are created dynamically, by appending the dbdname and the DD name to the data set high-level qualifier (HLQ). HLQ is applicable only for SMSONLC and SMSOFFLC type copies. The value specified for HLQ must be surrounded by single quotation marks (').

VOLLIST must be specified if HLQ is specified and the target data set is non-SMS managed. If the VOLLIST keyword is specified in addition to the HLQ keyword, a DD statement is generated for the image copy data set and the specified volumes are included, but not a data set name for the image copy data set. The ddname for this DD statement is included in the OUTPUT keyword in the DBDS Select control statement. If no VOLLIST keyword is specified, neither a DD statement for the image copy data set nor a value for the OUTPUT keyword is included in the generated JCL.

If the DSNSUF keyword is also specified, a time stamp is appended as the low-level qualifier to the output data set name. The combination of HLQ value, dbdname, dsname, time stamp and the delimiters between qualifiers cannot exceed 44 characters in length.

If the HLQ keyword is omitted, the output data set name is generated as indicated by the skeletal JCL execution member used by the GENJCL.IC command.

**Restriction:** HLQ cannot be specified unless SMSOFFLC or SMSONLC are specified. If HLQ is specified without either SMSOFFLC or SMSONLC also specified, the copy fails, and message DSP0191 with reason code 04 is generated.

**NODSNSUF | DSNSUF**

Mutually exclusive, optional keywords that you use to specify whether a date and time stamp is used as the low-level qualifier in the generated output data set name.

**NODSNSUF**

Indicates that a date and time stamp will not be incorporated as the low-level qualifier in the generated output data set name. This keyword is the default.

**DSNSUF**

Indicates that a date and time stamp will be incorporated as the

low-level qualifier in the generated output data set name. Its format is *Dyyddd.Thhmmss*. The date and time are always used together if DSNSUF is specified.

**Restrictions:**

- DSNSUF cannot be specified unless HLQ is specified. If DSNSUF is specified without HLQ also specified, the copy will fail, and message DSP0191 with reason code 03 will be generated.
- DSNSUF cannot be specified unless SMSOFFLC or SMSONLC are specified. If DSNSUF is specified without either SMSOFFLC or SMSONLC also specified, the copy will fail, and message DSP0191 with reason code 04 will be generated.

**MGMTCLAS**(*management\_class*)

Optional keyword that indicates the management class that you want to use for the allocation of the image copy data set. This specification is used as input to the Access Control System (ACS) routines. You must have proper RACF authorization for the specified management class. This keyword is applicable only when SMSONLC or SMSOFFLC and HLQ are specified.

**SETPATCH**((*xx1,y1*),(*xx2,y2*) ... (*xxn,yn*))

A keyword that specifies DFSMSdss processing options by defining the SET PATCH offsets that the Image Copy 2 utility passes to DFSMSdss. SETPATCH is applicable only when SMSCIC, SMSNOCIC, SMSONLC or SMSOFFLC is specified.

Offsets *xx1* through *xxn* are patch bytes, and *y1* through *yn* are the values to which the corresponding patch byte is to be set. Up to 32 pairs of patch bytes and values can be supplied.

**STORCLAS**(*storage\_class*)

Optional keyword that indicates the storage class that you want to use for the allocation of the image copy data set. This specification is used as input to the ACS routines. You must have proper RACF authorization for the specified storage class. This keyword is applicable only when the Database Image Copy utility is used to invoke DFSMS Fast Replication, and the target data set is SMS managed.

This keyword is applicable only when SMSONLC or SMSOFFLC and HLQ are specified.

**SMSONLC**

Indicates that the Database Image Copy utility is to be used to take an image copy concurrent with update processing. This option directs Database Image Copy 2 to invoke DFSMS Fast Replication.

**HLQ**(*high\_level\_qualifier*)

Indicates the data set high-level qualifier to be used to create the output data set name, when the output data sets are created dynamically, by appending the dbname and the DD name to the data set high-level qualifier (HLQ). HLQ is applicable only for SMSONLC and SMSOFFLC type copies. The value specified for HLQ must be surrounded by single quotation marks (').

VOLLIST must be specified if HLQ is specified and the target data set is non-SMS managed. If the VOLLIST keyword is specified in addition to the HLQ keyword, a DD statement is generated for the image copy

data set and the specified volumes are included, but not a data set name for the image copy data set. The ddname for this DD statement is included in the OUTPUT keyword in the DBDS Select control statement. If no VOLLIST keyword is specified, neither a DD statement for the image copy data set nor a value for the OUTPUT keyword is included in the generated JCL.

If the DSNSUF keyword is also specified, a time stamp is appended as the low-level qualifier to the output data set name. The combination of HLQ value, dbdname, dsname, time stamp and the delimiters between qualifiers cannot exceed 44 characters in length.

If the HLQ keyword is omitted, the output data set name is generated as indicated by the skeletal JCL execution member used by the GENJCL.IC command.

**Restriction:** HLQ cannot be specified unless SMSOFFLC or SMSONLC are specified. If HLQ is specified without either SMSOFFLC or SMSONLC also specified, the copy fails, and message DSP0191 with reason code 04 is generated.

#### **NODNSUF | DSNSUF**

Mutually exclusive, optional keywords that you use to specify whether a date and time stamp is used as the low-level qualifier in the generated output data set name.

##### **NODNSUF**

Indicates that a date and time stamp will not be incorporated as the low-level qualifier in the generated output data set name. This keyword is the default.

##### **DSNSUF**

Indicates that a date and time stamp will be incorporated as the low-level qualifier in the generated output data set name. Its format is *Dyyddd.Thhmmss*. The date and time are always used together if DSNSUF is specified.

##### **Restrictions:**

- DSNSUF cannot be specified unless HLQ is specified. If DSNSUF is specified without HLQ also specified, the copy will fail, and message DSP0191 with reason code 03 will be generated.
- DSNSUF cannot be specified unless SMSOFFLC or SMSONLC are specified. If DSNSUF is specified without either SMSOFFLC or SMSONLC also specified, the copy will fail, and message DSP0191 with reason code 04 will be generated.

#### **MGMTCLAS**(*management\_class*)

Optional keyword that indicates the management class that you want to use for the allocation of the image copy data set. This specification is used as input to the Access Control System (ACS) routines. You must have proper RACF authorization for the specified management class. This keyword is applicable only when SMSONLC or SMSOFFLC and HLQ are specified.

#### **SETPATCH**((*xx1,y1*),(*xx2,y2*) ... (*xxn,yn*))

A keyword that specifies DFSMSdss processing options by defining the

SET PATCH offsets that the Image Copy 2 utility passes to DFSMSdss. SETPATCH is applicable only when SMSCIC, SMSNOCIC, SMSONLC or SMSOFFLC is specified.

Offsets *xx1* through *xxn* are patch bytes, and *y1* through *yn* are the values to which the corresponding patch byte is to be set. Up to 32 pairs of patch bytes and values can be supplied.

**STORCLAS**(*storage\_class*)

Optional keyword that indicates the storage class that you want to use for the allocation of the image copy data set. This specification is used as input to the ACS routines. You must have proper RACF authorization for the specified storage class. This keyword is applicable only when the Database Image Copy utility is used to invoke DFSMS Fast Replication, and the target data set is SMS managed.

This keyword is applicable only when SMSONLC or SMSOFFLC and HLQ are specified.

**DEFAULTS**(*member*)

Optional keyword that you use to specify up to 10 names of skeletal JCL default members to be used when generating JCL. Default members are searched to resolve keywords in the order in which the members are specified on this keyword.

If a keyword is assigned a value in both the DEFAULTS and USERKEYS keyword, the value specified in USERKEYS is used.

**JCLOUT**(**JCLOUT** | *ddname*)

Optional keyword that you use to specify the output data set for the generated JCL. The data set is specified by *ddname*. A JCL DD statement with this *ddname* must be included in the job step containing the GENJCL command. The specified data set can be a member of a partitioned data set, but only if it is not the same data set that is used for the default, JCLOUT.

**JCLPDS**(**JCLPDS** | *ddname*)

Optional keyword that you use to specify the skeletal JCL data set that is to be used for input when generating JCL. The data set is specified by *ddname*. A JCL DD statement with this *ddname* must be included in the job step containing the GENJCL command.

**JOB** | **JOB**(*member*) | **NOJOB**

Mutually exclusive, optional keywords that you use to specify whether to produce the job statement in the generated JCL.

**JOB**

Specifies that the job statement is to be produced. When JOB is specified without a member name, the IBM-supplied execution member JOBJCL produces the job statement. When JOB(*member*) is specified, the specified execution member produces the job statement.

**NOJOB**

Specifies that the job statement is not to be produced in the generated JCL.

**NOLIST** | **LIST**

Mutually exclusive, optional keywords that you use to specify whether to write the generated JCL to the SYSPRINT data set.

**NOLIST**

Suppresses the printing of the generated JCL.



## LIST

Prints the generated JCL.

## MEMBER(*member*)

Optional keyword you use to specify the name of the skeletal JCL execution member to be used. If this keyword is not specified, the default specified on the INIT.DBDS command is used.

## MULTIJOB | ONEJOB

Mutually exclusive, optional keywords that you use to control how many JOB and EXEC statements are to be generated when a DBDS group is specified either explicitly or implicitly.

### MULTIJOB

Produces one job for each group member.

### ONEJOB

Produces one job with:

- A separate step for each group member with the CIC or NOCIC option.
- A single step to copy all members of the group with the SMSVIC or SMSNOCIC option.

These keywords are invalid if the NOJOB subparameter is specified on the JOB keyword, or if a DBDS group is not specified.

## NODEFLT

Optional keyword you use to specify that the implicit skeletal JCL default member, if any, for the DBDS is not to be used.

## TIMEFMT(*sublist*)

Optional keyword you use to define the form in which time stamps appear in user-defined output. This specification overrides both the GENJCL default values and any values set on %SET statements in the input skeletal JCL.

The default for the GENJCL output time format is compressed, with a two-digit year, and the offset in numeric form: 960021315001 +0700. If you want the output time stamps to appear without offsets, for example, you can override the default with TIMEFMT(N).

The override is good only for the duration of a single GENJCL command.

## UNIT(3400 | *unittype*)

Optional keyword you use to specify the unit type of the first, second, third, or fourth output image copy data sets. These keywords are valid only if both of the following conditions are true:

- The corresponding VOLLIST keyword is specified
- The DBDS for which the JCL is being generated was defined with the NOREUSE option

If this keyword is specified, its value is associated with DD statement D1OU1 in the generated JCL and the OUTPUT keyword in the control statements for the Database Image Copy 2 utility. If the GROUP keyword is also specified, all of the DBDS Select control statements following the Group Name control statement will contain D1OU1 as the OUTPUT keyword.

## UNIT2(3400 | *unittype*)

Optional keyword you use to specify the unit type of the first, second, third, or fourth output image copy data sets. These keywords are valid only if both of the following conditions are true:

- The corresponding VOLLIST keyword is specified

- The DBDS for which the JCL is being generated was defined with the NOREUSE option

This keyword cannot be specified if the user selects DFSMS fast replication by specifying either SMSOFFLC or SMSONLC.

**UNIT3(3400 | *unittype*)**

Optional keyword you use to specify the unit type of the first, second, third, or fourth output image copy data sets. These keywords are valid only if both of the following conditions are true:

- The corresponding VOLLIST keyword is specified
- The DBDS for which the JCL is being generated was defined with the NOREUSE option

This keyword cannot be specified if the user selects DFSMS fast replication by specifying either SMSOFFLC or SMSONLC.

**UNIT4(3400 | *unittype*)**

Optional keyword you use to specify the unit type of the first, second, third, or fourth output image copy data sets. These keywords are valid only if both of the following conditions are true:

- The corresponding VOLLIST keyword is specified
- The DBDS for which the JCL is being generated was defined with the NOREUSE option

This keyword cannot be specified if the user selects DFSMS fast replication by specifying either SMSOFFLC or SMSONLC

**USERKEYS(%*key1*, '*value*' | %*key2*)**

Optional keyword you use to set the value of keywords you have defined. Up to 64 keywords can be specified.

*%key1*

User-defined keyword that is being assigned a value. The maximum length of the keyword is 8 characters, including the percent sign. The first character after the percent sign must be alphabetic (A-Z). The remaining characters must be alphanumeric (A-Z, 0-9).

*'value'*

Value assigned to the user-defined keyword when it is encountered. *value* can be any character string enclosed in single quotation marks. The maximum length of *value* is 132 characters (excluding the quotation marks). If *value* contains a quotation mark, use two single quotation marks. *value* can be a null string ("). If *value* is a time stamp, it can be 0.

*%key2*

Any simple keyword that was previously assigned a value, including DBRC-defined and user-defined keywords.

Any keyword can be assigned a value with the USERKEYS keyword. However, if you assign a value to DBRC-defined keywords, the value is ignored.

If a keyword is assigned a value in both the USERKEYS and DEFAULTS keyword, the value specified in USERKEYS is used.

**VOLLIST(*volser*)**

Optional keywords that you use to specify the volumes on which the image copy data set copies are to reside. These keywords are valid only if:

- The DBDS for which the JCL is being generated is defined with the NOREUSE option.

- DBD is specified with DDN or AREA.

If you specify this keyword, its value is associated with DD statement D1OU1 in the generated JCL and the OUTPUT keyword in the control statements for the Database Image Copy 2 utility. If also specify the GROUP keyword, all of the DBDS Select control statements following the Group Name control statement will contain D1OU1 as the OUTPUT parameter.

#### **VOLLIST2**(*volser*)

Optional keywords that you use to specify the volumes on which the image copy data set copies are to reside. These keywords are valid only if:

- The DBDS for which the JCL is being generated is defined with the NOREUSE option.
- DBD is specified with DDN or AREA.

This keyword cannot be specified if the user selects DFSMS fast replication by specifying either SMSOFFLC or SMSONLC.

#### **VOLLIST3**(*volser*)

Optional keywords that you use to specify the volumes on which the image copy data set copies are to reside. These keywords are valid only if:

- The DBDS for which the JCL is being generated is defined with the NOREUSE option.
- DBD is specified with DDN or AREA.

This keyword cannot be specified if the user selects DFSMS fast replication by specifying either SMSOFFLC or SMSONLC.

#### **VOLLIST4**(*volser*)

Optional keywords that you use to specify the volumes on which the image copy data set copies are to reside. These keywords are valid only if:

- The DBDS for which the JCL is being generated is defined with the NOREUSE option.
- DBD is specified with DDN or AREA.

This keyword cannot be specified if the user selects DFSMS fast replication by specifying either SMSOFFLC or SMSONLC.

## **Examples**

Here are some examples of using the GENJCL.IC command.

### *Example for DBDS defined by the DBD and DDN keywords*

In the following example, a GENJCL.IC command generates the JCL and control statements required to run the Database Image Copy utility for the DBDS identified in the DBD and DDN keywords. The default Concurrent Image Copy (CIC) is used. The database is defined as REUSE. If the INIT.DBDS command for the DBDS for which JCL is being generated is specified with ICJCL(*member*), that skeletal member is used from the data set that is identified in the JCLPDS DD statement. If not, the default skeletal member ICJCL from the JCLPDS data set is used. Output from the generated JCL goes to the data set identified in the JCLOUT DD statement. Skeletal member JOBJCL produces a job statement.

```
//GENJIC1 JOB
//JCLOUT DD . . .
//JCLPDS DD . . .
```

```

:
//SYSIN DD *
GENJCL.IC DBD(DBDKSDS1) DDN(DDNKSDS1)

```

The EXEC and SYSIN statements for the generated JCL are shown below:

```

:
//IC1 EXEC PGM=DFSUDMP0,REGION=nnnK,
//          PARM='CIC,GSGNAME='
//D10U1 DD DSN=...

:
//SYSIN DD *
D1 DBDKSDS1 DDNKSDS1 D10U1
/*

```

### *Example for all DBDSs in a group with NOCIC*

In the following example, the GENJCL.IC command generates JCL and control statements to run the Image Copy utility for all DBDSs of GROUP1 and batch image copies (NOCIC) are also taken. The skeletal member used is ICJCL1 from the data set identified in PDS4. The keyword, %DEFIC, is a user-defined value in ICJCL1 that is resolved to '1ST USERKEYS PARM'. The default member for the database initialized in INIT.DBDS DEFLTJCL(MEMBER) is not used to resolve keywords. Skeletal member JOBJCL produces a job statement.

```

//GENJIC2 JOB
//JCLOUT DD . . .
//PDS4 DD . . .
//SYSIN DD *
GENJCL.IC GROUP(GROUP1) JOB MEMBER(ICJCL1) JCLPDS(PDS4) ONEJOB -
NOCIC USERKEYS((%DEFIC,'1ST USERKEYS PARM')) NODEFLT

```

The following statements are examples of one of the EXEC statements and one of the SYSIN statements for the generated JCL:

```

:
//IC1 EXEC PGM=DFSUDMP0,REGION=nnnK,
//          PARM=' ,GSGNAME='
//D10U1 DD DSN=...

:
//SYSIN DD *
D1 DBD1GRP1 DDN1GRP1 D10U1
/*
//IC2 EXEC PGM=DFSUDMP0,REGION=nnnK,
//          PARM=' ,GSGNAME='

:

```

### *Example of running the Database Image Copy 2 utility with SMSCIC*

In the following example, a GENJCL.IC command generates the JCL and control statements required to run the Database Image Copy 2 utility in shared database mode (SMSCIC) for the DBDS that is identified in the DBD and DDN keywords. The database is defined as NOREUSE and four copies are requested. The default skeletal member ICJCL from the JCLPDS data set is used. Output from the generated JCL goes to the data set identified in the JCLOUT DD statement. Skeletal member JOBJCL produces a job statement.

```

//GENJIC3 JOB
//JCLOUT DD . . .
//JCLPDS DD . . .
:
//SYSIN DD *
GENJCL.IC DBD(DBDVSAM1) DDN(DDNVSAM1) COPIES(4) SMSCIC(1) -
VOLLIST(IC2001) VOLLIST2(IC2002) VOLLIST3(IC2003) -
VOLLIST4(IC2004)
/*

```

The EXEC and SYSIN statements for the generated JCL are shown below:

```

:
//IC1 EXEC PGM=DFSRR00,REGION=nnnK,
// PARM='ULU,DFSUDMT0,,,,,,,,,,,,,Y,,,,,,,,,'
:
//SYSIN DD *
4 DBDVSAM1 DDNVSAM1 D10U1 D20U1 D30U1 D40U1 S 1
/*

```

### *Example of running the Database Image Copy 2 utility with SMSNOCIC*

In the following example, the GENJCL.IC command generates JCL and control statements to run the Database Image Copy 2 utility with exclusive database usage (SMSNOCIC) for the DBDS that is identified in the DBD and DDN keywords. The database is defined as REUSE and the default, one copy, is requested. The global service group name for DBDVSAM2 is GSGN4IC2. The default skeletal member ICJCL from the JCLPDS data set is used. Output from the generated JCL goes to the data set identified in the JCLOUT DD statement. Skeletal member JOBICL produces a job statement. The database is to be unlocked after the physical copy completes.

```

//GENJIC4 JOB
//JCLOUT DD . . .
//JCLPDS DD . . .
:
//SYSIN DD *
GENJCL.IC DBD(DBDVSAM2) DDN(DDNVSAM2) DBREL(P) SMSNOCIC
/*

```

The EXEC and SYSIN statements for the generated JCL are shown below:

```

:
//IC1 EXEC PGM=DFSRR00,REGION=nnnK,
// PARM='ULU,DFSUDMT0,,,,,,,,,,,,,Y,,,,,,,,,GSGN4IC2'
:
//SYSIN DD *
1 DBDVSAM2 DDNVSAM2 DATAOUT1 XP
/*

```

### *Example of running the Database Image Copy 2 utility with an implied database group*

All data sets for the database will be copied in a single step to a single output data set, with the Compress option.

```

//GENJIC5   JOB
//JCLOUT   DD   . . .
//JCLPDS   DD   . . .
.
.
//SYSIN     DD   *
GENJCL.IC  DBD(DBDVSAM) SMSCIC(SAMEDS,COMPRESS) ONEJOB
/*

```

The following are the EXEC and SYSIN cards in the generated JCL:

```

:
:
//IC1 EXEC PGM=DFSRR00,REGION=800K,
//          PARM='ULU,DFSUDMT0,,,,,,,,,Y,,,,,,,,,'
//D10U0 DD DSN=...
//SYSIN DD *
G  DHVNTZ02                               S C1
  1 DHVNTZ02 HIDAM      D10U0
S  DHVNTZ02 HIDAM2                               /*

```

**Example 1 of running the Database Image Copy utility with a fast replication (non-SMS-managed)**

```

GENJCL.IC DBD(DB1) DDN(DBDS1) SMSONLC VOLLIST(VOLXXX)
//ICJCL EXEC PGM=DFSRR00,PARM='ULU,DFSUDMT0,,,,,,,,,Y,N'
//SYSPRINT DD SYSOUT=A
//SYSUDUMP DD SYSOUT=A
//RECON1 DD DSN=IMS.RECON1,DISP=SHR
//RECON2 DD DSN=IMS.RECON2,DISP=SHR
//RECON3 DD DSN=IMS.RECON3,DISP=SHR
//IMS DD DSN=IMS.DBDLIB,DISP=SHR
//DBDS1 DD DSN=IMS.USER.DBDS1,DISP=SHR
/*
//D10U1 DD DISP=(NEW,CATLG),
// UNIT=SYSDA,VOL=SER=VOLXXX
// SPACE=(TRK,(5,5),RLSE),
// DSN=HLQ.DBDS1.COPY,
//DFSVSAMP DD *
//SYSIN DD *
1 DB1      DBDS1      D10U1                               S F

```

This example generates comparable JCL and a control statement. There is a DD statement for the image copy data set (D10U1). Because the target image copy data set is not SMS-managed, the target volume must be specified on the DD statement for the image copy data set.

**Example 2 of running the Database Image Copy utility with a fast replication (SMS-managed)**

```

GENJCL.IC DBD(DB1) DDN(DBDS1) SMSONLC HLQ(HLQ1)
//ICJCL EXEC PGM=DFSRR00,PARM='ULU,DFSUDMT0,,,,,,,,,Y,N'
//SYSPRINT DD SYSOUT=A
//SYSUDUMP DD SYSOUT=A
//RECON1 DD DSN=IMS.RECON1,DISP=SHR
//RECON2 DD DSN=IMS.RECON2,DISP=SHR
//RECON3 DD DSN=IMS.RECON3,DISP=SHR
//IMS DD DSN=IMS.DBDLIB,DISP=SHR
//DBDS1 DD DSN=IMS.USER.DBDS1,DISP=SHR
/*

```

```

//DFSVSAMP DD *
//SYSIN DD *
  1 DB1 DBDS1 D10U1 S FH
H1 HLQ1

```

This example generates comparable JCL and a control statement where the name of the image copy data set is generated as HLQ1.DB1.DBDS1. There is no DD statement for the image copy data set on which a volume is specified; neither is there a storage class specification on the HLQ control statement. In this case, the source database data set must have been SMS-managed, and the storage class specification for the target image copy data set will be inherited from the attributes of the source database.

***Example 3 of running the Database Image Copy utility with a fast replication (Image Copy is non-SMS-managed)***

```

GENJCL.IC DBD(DB1) DDN(DBDS1) SMSOFFLC VOLLIST(VOLSER) HLQ('HLQ1') NODSNSUF
//ICJCL EXEC PGM=DFSRR00,PARM='ULU,DFSUDMT0,,,,,,,,,Y,N'
//SYSPRINT DD SYSOUT=A
//SYSUDUMP DD SYSOUT=A
//RECON1 DD DSN=IMS.RECON1,DISP=SHR
//RECON2 DD DSN=IMS.RECON2,DISP=SHR
//RECON3 DD DSN=IMS.RECON3,DISP=SHR
//IMS DD DSN=IMS.DBDLIB,DISP=SHR
//DBDS1 DD DSN=IMS.USER.DBDS1,DISP=SHR
//*
//D10U1 DD DISP=SHR,
// UNIT=SYSDA,VOL=SER=VOLSER
//DFSVSAMP DD *
//SYSIN DD *
  1 DB1 DBDS1 D10U1 X FH
H1 HLQ1

```

This example generates comparable JCL and a control statement where the name of the image copy data set is generated as HLQ1.DB1.DBDS1. There is a DD statement for the image copy data set, but it does not contain the data set name. Because the target image copy data set is not SMS-managed, the target volume must be specified on the DD statement for the image copy data set.

***Example 4 of running the Database Image Copy utility with a fast replication (Image Copy is SMS-managed)***

```

GENJCL.IC DBD(DB1) DDN(DBDS1) SMSONLC STORCLAS(STORCLS1) HLQ('HLQ1')
NODSNSUF
//ICJCL EXEC PGM=DFSRR00,PARM='ULU,DFSUDMT0,,,,,,,,,Y,N'
//SYSPRINT DD SYSOUT=A
//SYSUDUMP DD SYSOUT=A
//RECON1 DD DSN=IMS.RECON1,DISP=SHR
//RECON2 DD DSN=IMS.RECON2,DISP=SHR
//RECON3 DD DSN=IMS.RECON3,DISP=SHR
//IMS DD DSN=IMS.DBDLIB,DISP=SHR
//DBDS1 DD DSN=IMS.USER.DBDS1,DISP=SHR
//*
//DFSVSAMP DD *
//SYSIN DD *
  1 DB1 DBDS1 D10U1 S FH
H1 HLQ1 STORCLS1

```

This example generates comparable JCL and a control statement where the name of the image copy data set is generated as HLQ1.DB1.DBDS1. There is no DD


statement for the image copy data set. When the target image copy is SMS-managed, indicate the SMS storage class on the HLQ control statement.

**Example 5 of running the Database Image Copy utility with a fast replication (SMS-managed)**

```
GENJCL.IC DBD(DB1) DDN(DBDS1) SMSONLC HLQ(HLQ1) DSNSUF
//ICJCL EXEC PGM=DFSRR00,PARM='ULU,DFSUDMT0,,,,,,,,,,,,,Y,N'
//SYSPRINT DD SYSOUT=A
//SYSUDUMP DD SYSOUT=A
//RECON1 DD DSN=IMS.RECON1,DISP=SHR
//RECON2 DD DSN=IMS.RECON2,DISP=SHR
//RECON3 DD DSN=IMS.RECON3,DISP=SHR
//IMS DD DSN=IMS.DBDLIB,DISP=SHR
//DBDS1 DD DSN=IMS.USER.DBDS1,DISP=SHR
//*
//DFSVSAMP DD *
//SYSIN DD *
 1 DB1 DBDS1 D10U1 S FH
HIYHLQ1
```

This example generates comparable JCL and a control statement where the name of the image copy data set is generated as HLQ1.DB1.DBDS1.Dyyddd.Thhmmss. There is no DD statement for the image copy data set on which a volume is specified; neither is there a storage class specification on the HLQ control statement. In this case, the source database data set must have been SMS-managed, and the storage class specification for the target image copy data set will be inherited from the attributes of the source database.

**Related concepts:**

 [z/OS: Tuning DFSMSHsm with supported tuning patches](#)

**Related reference:**

“Generating JCL and user-defined output” on page 241

“DBRC time stamps” on page 52

“Skeletal JCL syntax” on page 244

---

## GENJCL.OIC command

Use the GENJCL.OIC command to generate the JCL and utility control statements needed to run the Online Database Image Copy utility.

**Important:**

- For HALDB partitions, the GENJCL.OIC command treats ILDS and index data sets differently than data DBDSs. The GENJCL.OIC command skips these data sets in groups, regardless of whether the groups are explicit or implicit. If you explicitly specify one of these data sets, the GENJCL.OIC command fails.
- For HALDB DBDSs, the GENJCL.OIC command does not generate DD statements for the DBDSs to be copied. The SYSIN control statement identifies which active DBDSs to copy. These can be either the A-through-J data set or the M-through-V data sets.

**Restriction:** The GENJCL.OIC command and online image copy cannot be used on databases at an RSR-tracking site.

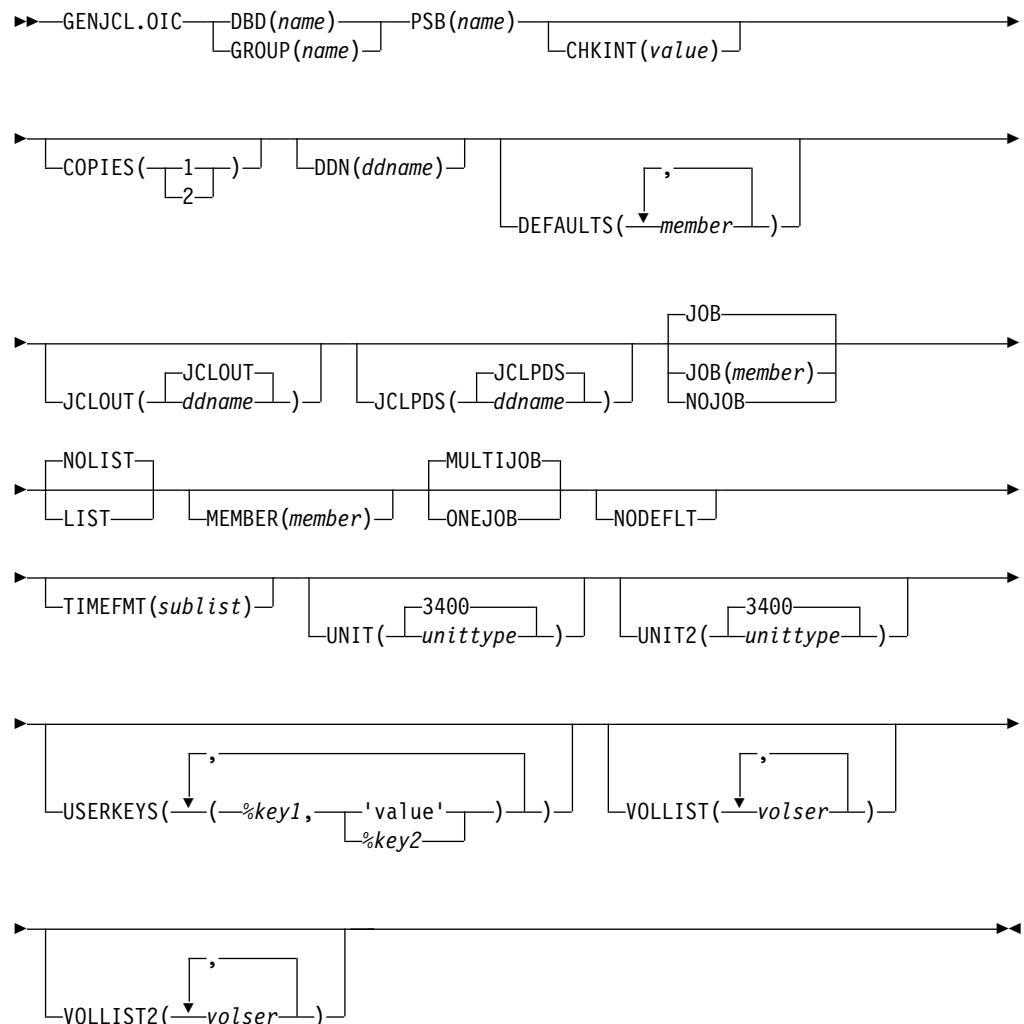
**Subsections:**

- “Syntax” on page 221



- “Keywords”
- “Examples” on page 224

## Syntax



## Keywords

### DBD(name) | GROUP(name)

Mutually exclusive, required keywords that you use to specify the database that contains the DBDS to be copied.

#### DBD

Specifies the name of the database that contains the DBDS to be copied.

**Restriction for HALDB databases:** For the GENJCL.OIC command, *name* specifies the name of either a HALDB master database name or a HALDB partition name.

#### GROUP

Specifies that all DBDSs of a DBDS group are to be copied. If GROUP is specified, the GENJCL.OIC command executes repeatedly, once for each DBDS of the DBDS group.

**PSB(*name*)**

Required keyword you use to specify the name of the PSB that is required for a run of the Online Database Image Copy utility.

If you specify GROUP, the same PSB name is used for all members of the group.

**CHKINT(*value*)**

Optional keyword you use to specify the checkpoint interval for the Online Database Image Copy utility. *value* must be a decimal number from 1 to 9999. If this keyword is omitted, the Online Database Image Copy utility uses its own default value for the checkpoint interval.

**COPIES(1 | 2)**

Optional keyword you use to request that the Online Database Image Copy utility in order to produce one or two image copy data sets for the specified DBDS.

If the specified DBDS is identified in the RECON data set with the NOREUSE attribute, you must specify the COPIES keyword in order to produce two image copy data sets; otherwise, one image copy data set is produced.

If the specified DBDS is identified in the RECON data set with the REUSE attribute, you cannot specify a COPIES keyword; the number of image copy data sets that are produced for this DBDS is determined by keywords in the INIT.IC command.

**DDN(*ddname*)**

Optional keyword you use to identify the DBDS that is to be copied.

The DDN keyword can be specified only if the DBD keyword is specified. If DDN is not specified, the GENJCL.OIC command executes repeatedly, once for each DBDS of the specified database. If you specify a HALDB master name, the GENJCL.OIC command is performed for all data DBDSs for each partition in the HALDB master. If you specify a HALDB partition name, the GENJCL.OIC command is performed for all data DBDSs of the identified HALDB partition.

For HALDB databases, you must specify a partition database name with the DBD keyword in order to use the DDN keyword. The DDN keyword value is the partition DDN. The GENJCL.OIC command is performed for the identified DBDS of the partition. The GENJCL.OIC command fails if DDN does not identify a data DBDS in the partition.

**DEFAULTS(*member*)**

Optional keyword you use to specify up to 10 names of skeletal JCL default members to be used when generating JCL. Default members are searched in order to resolve keywords in the order in which the members are specified on this keyword.

If a keyword is assigned a value in both the DEFAULTS and USERKEYS keywords, the value specified in USERKEYS is used.

**JCLOUT(JCLOUT | *ddname*)**

Optional keyword you use to specify the output data set for the generated JCL. The data set is specified by *ddname*. A JCL DD statement with this *ddname* must be included in the job step containing the GENJCL command. The specified data set can be a member of a partitioned data set, but only if it is not the same data set used for the default, JCLOUT.

**JCLPDS(JCLPDS | *ddname*)**

Optional keyword you use to specify the skeletal JCL data set that is to be

used for input when generating JCL. The data set is specified by *ddname*. A JCL DD statement with this *ddname* must be included in the job step that contains the GENJCL command.

**JOB | JOB(*member*) | NOJOB**

Mutually exclusive, optional keywords that you use to specify whether to produce the job statement in the generated JCL.

**JOB**

Specifies that the job statement is to be produced. When JOB is specified without a member name, the IBM-supplied execution member JOBJCL produces the job statement. When JOB(*member*) is specified, the specified execution member produces the job statement.

**NOJOB**

Specifies that the job statement is not to be produced in the generated JCL.

**NOLIST | LIST**

Mutually exclusive, optional keywords that you use to specify whether to write the generated JCL to the SYSPRINT data set.

**NOLIST**

Suppresses the printing of the generated JCL.

**LIST**

Prints the generated JCL.

**MEMBER(*member*)**

Optional keyword you use to specify the name of the skeletal JCL execution member that is to be used. If this keyword is not specified, the default specified on the INIT.DBDS command is used.

**MULTIJOB | ONEJOB**

Mutually exclusive, optional keywords that you use to control how many JOB statements are to be generated when a DBDS group is specified either explicitly or implicitly.

**MULTIJOB**

Processes the skeletal JCL JOB member for each group member (multiple JOB statements are to be produced).

**ONEJOB**

Processes the skeletal JCL JOB member only for the first group member.

These keywords are invalid if NOJOB is specified or if a DBDS group is not specified.

**NODEFLT**

Optional keyword you use to specify that the implicit skeletal JCL default member, if any, for the DBDS is not to be used.

**TIMEFMT(*sublist*)**

Optional keyword you use to define the form in which time stamps appear in user-defined output. This specification overrides both the GENJCL default values and any values set on %SET statements in the input skeletal JCL.

The default for the GENJCL output time format is compressed, with a two-digit year, and the offset in numeric form: 960021315001 +0700. If you want the output time stamps to appear without offsets, for example, you can override the default with TIMEFMT(*N*).

The override is good only for the duration of a single GENJCL command.

**UNIT(3400 | *unittype*)**

Optional keyword you use to specify the unit type of the primary output data set. This keyword is valid only if:

- The VOLLIST keyword was specified.
- The DBDS for which the JCL is being generated was defined with the NOREUSE option.

**UNIT2(3400 | *unittype*)**

Optional keyword you use to specify the unit type of the secondary output data set. This keyword is valid only if:

- The VOLLIST2 keyword was specified.
- The DBDS for which the JCL is being generated was defined with the NOREUSE option.

**USERKEYS(%*key1*, '*value*' | %*key2*)**

Optional keyword you use to set the value of keywords you have defined. Up to 64 keywords can be specified.

*%key1*

User-defined keyword that is being assigned a value. The maximum length of the keyword is 8 characters, including the percent sign. The first character after the percent sign must be alphabetic (A-Z). The remaining characters must be alphanumeric (A-Z, 0-9).

*'value'*

Value assigned to the user-defined keyword when it is encountered. *value* can be any character string enclosed in single quotation marks. The maximum length of *value* is 132 characters (excluding the quotation marks). If *value* contains a quotation mark, use two single quotation marks. *value* can be a null string ("). If *value* is a time stamp, it can be 0.

*%key2*

Any simple keyword that was previously assigned a value, including DBRC-defined and user-defined keywords.

Any keyword can be assigned a value with the USERKEYS keyword. However, if you assign a value to DBRC-defined keywords, the value is ignored.

If a keyword is assigned a value in both the USERKEYS and DEFAULTS keyword, the value specified in USERKEYS is used.

**VOLLIST(*volser*)**

Optional keyword you use to specify the volumes on which the image copy data set is to reside. This keyword is valid only if the DBDS for which the JCL is being generated is defined with the NOREUSE option, and if the DBDS is being used with DBDs, not with groups.

**VOLLIST2(*volser*)**

Optional keyword you use to specify the volumes on which the duplicate image copy data set is to reside. This keyword is valid only if the DBDS for which the JCL is being generated is defined with the NOREUSE option, and if the DBDS is being used with DBDs, not with groups.

**Examples**

Here are some examples of using the GENJCL.OIC command.

*Example using JCLPDS member OICJCL*

In this example, a GENJCL.OIC command generates the JCL and control statements required to run the Online Database Image Copy utility for the DBDS identified in the DBD and DDN keywords. The database is defined as REUSE. If the INIT.DBDS command for the DBDS for which the JCL is being generated is specified with OICJCL(*member*), that member is used and is found in the data set identified in the JCLPDS DD statement. If not, default skeletal member OICJCL from the JCLPDS data set is used. Output from the generated JCL goes to the data set defined in the JCLOUT DD statement. Skeletal member JOBJCL produces a job statement.

```
//GENJOIC JOB
//JCLPDS DD . . .
//JCLOUT DD . . .

:
//SYSIN DD *
GENJCL.OIC DBD(DBDKSDS1) DDN(DDNKSDS1) -
PSB(MYJOB)
/*
```

#### *Example using JCLPDS member OICJCL2*

In this example, the GENJCL.OIC command generates JCL and control statements to run the Online Image Copy utility for all DBDSs of GROUP1. The skeletal member used is OICJCL2 from the data set identified in the OICPDS DD statement. One job statement for each group member is generated from the JOBCARD member found in the data set identified in the OICPDS DD statement. %DEFDBDS is a user-defined value in OICJCL2 and is resolved with 'DATABASE DEFINED HERE'. Members DEF1, DEF2, and DEF3 are used to resolve user-defined keywords in OICJCL2. The default member for the database initialized in INIT.DBDS DEFLTJCL(MEMBER) is not used to resolve keywords. The values specified in the USERKEYS keyword for a keyword override the values found in the DEFAULTS member.

```
//GENJOIC1 JOB
//OICOUT DD . . .
//OICPDS DD . . .
//SYSIN DD *
GENJCL.OIC GROUP(GROUP1) JOB(JOBCARD) MEMBER(OICJCL2) -
NODEFLT JCLPDS(OICPDS) JCLOUT(OICOUT) PSB(PCBOIC6) -
USERKEYS((%DEFDBDS,'DATABASE DEFINED HERE')) -
DEFAULTS(DEF1,DEF2,DEF3)
```

#### **Related reference:**

“Generating JCL and user-defined output” on page 241

“DBRC time stamps” on page 52

“Skeletal JCL syntax” on page 244

---

## **GENJCL.RECEIVE command**

Use the GENJCL.RECEIVE command to apply an image copy from an RSR active site to a database data set or area at an RSR tracking site.

This command generates the JCL and utility control statements required to run the Database Recovery utility for image copy receive. If more than one image copy data set is registered in the RECON for a given DBDS or area, the most recent usable image copy data set is received. A usable image copy is one that meets all of the following requirements:

- Is not flagged as being in error

- Was created by the IMS Batch Image Copy utility or the Database Image Copy 2 utility while the database was unavailable for update processing
- Was created after any updates were received at the tracking site

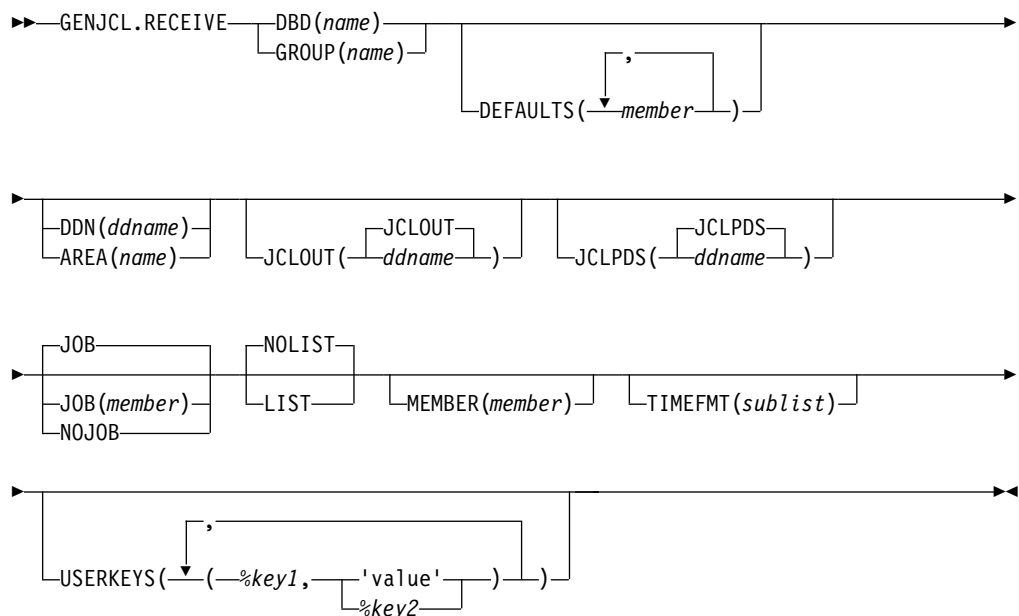
The GENJCL.RECEIVE command can only be used for RSR-covered databases. Also, the local service group of the covering global service group must be a tracking service group.

**Important:** For HALDB partitions, the GENJCL.RECEIVE command treats ILDS and index data sets differently than data DBDs. The GENJCL.RECEIVE command skips these data sets in groups, regardless of whether the groups are explicit or implicit. If you explicitly specify one of these data sets, the GENJCL.RECEIVE command fails.

Subsections:

- "Syntax"
- "Keywords"
- "Examples" on page 229

## Syntax



## Keywords

**DBD (name) | GROUP (name)**

Mutually exclusive, required keywords that you use to specify the database that is to be received.

**DBD (name)**

Specifies the name of the database to be received. The database must be RSR-covered.

**Restriction for HALDB databases:** For the GENJCL.RECEIVE command, *name* specifies the name of either a HALDB master database name or a HALDB partition name.

**GROUP**(*name*)

Specifies that image copies for all DBDSs of a DBDS or CA group are to be received. If GROUP is specified, the GENJCL.RECEIVE command executes repeatedly, once for each DBDS of the DBDS or CA group. If you attempt an implicit or explicit group execution with recoverable and nonrecoverable DBDSs, JCL is not generated for the nonrecoverable DBDSs.

If GROUP is specified, all DBDS areas of the group must be covered by the same global service group.

**DEFAULTS**(*member*)

Optional keyword you use to specify up to 10 names of skeletal JCL default members that are to be used when generating JCL. Default members are searched to resolve keywords in the order in which the members are specified on this keyword.

If a keyword is assigned a value in both the DEFAULTS and the USERKEYS keywords, the value specified in USERKEYS is used.

**DDN**(*ddname*) | **AREA**(*name*)

Mutually exclusive, optional keywords that you use to identify the DBDS *ddname* or DEDB area to be received.

The DDN or AREA keyword is specified only if the DBD keyword is specified.

For HALDB databases, you must specify a partition database name with the DBD keyword in order to use the DDN keyword. The DDN keyword value is the partition DDN. The GENJCL.RECEIVE command is performed for the identified DBDS of the partition. The GENJCL.RECEIVE command fails if DDN does not identify a data DBDS in the partition.

If DDN or AREA is not specified, the GENJCL.RECEIVE command executes repeatedly, once for each DBDS or area of the specified database. If you specify a HALDB master name, the GENJCL.RECEIVE command is performed for all data DBDSs for each HALDB partition in the HALDB master. If you specify a HALDB partition name, the GENJCL.RECEIVE command is performed for all data DBDSs of the identified partition.

**JCLOUT**(**JCLOUT** | *ddname*)

Optional keyword you use to specify the output data set for the generated JCL. The data set is specified by *ddname*. A JCL DD statement with this *ddname* must be included in the job step containing the GENJCL command. The specified data set can be a member of a partitioned data set, but only if it is not the same data set that is used for the default (JCLOUT).

**JCLPDS**(**JCLPDS** | *ddname*)

Optional keyword you use to specify the skeletal JCL data set that is to be used for input when generating JCL. The data set is specified by *ddname*. A JCL DD statement with this *ddname* must be included in the job step containing the GENJCL command.

**JOB** | **JOB**(*member*) | **NOJOB**

Mutually exclusive, optional keywords that you use to specify whether to produce the job statement in the generated JCL.

**JOB**

Specifies that the job statement is to be produced. When JOB is specified without a member name, the IBM-supplied execution member ICRCVJCL produces the job statement. When JOB(*member*) is specified, the specified execution member produces the job statement.

**NOJOB**

Specifies that the job statement is not to be produced in the generated JCL.

**NOLIST | LIST**

Mutually exclusive, optional keywords that you use to specify whether to write the generated JCL to the SYSPRINT data set.

**NOLIST**

Suppresses printing of the generated JCL.

**LIST**

Prints the generated JCL.

**MEMBER**(*member*)

Optional keyword you use to specify the name of the skeletal JCL execution member that is to be used. If this keyword is not specified, the default specified on the INIT.DBDS command is used.

**TIMEFMT**(*sublist*)

Optional keyword you use to define the form in which time stamps appear in user-defined output. This specification overrides both the GENJCL default values and any values set on %SET statements in the input skeletal JCL.

The default for the GENJCL output time format is compressed, with a two-digit year, and the offset in numeric form: 960021315001 +0700. If you want the output time stamps to appear without offsets, for example, you can override the default with TIMEFMT(N).

The override is good only for the duration of a single GENJCL command.

**USERKEYS**(%*key1*, '*value*' | %*key2*)

Optional keyword you use to set the value of keywords you have defined. Up to 64 keywords can be specified.

%*key1*

User-defined keyword that is being assigned a value. The maximum length of the keyword is 8 characters, including the percent sign. The first character after the percent sign must be alphabetic (A-Z). The remaining characters must be alphanumeric (A-Z, 0-9).

'*value*'

Value assigned to the user-defined keyword when it is encountered. *value* can be any character string enclosed in single quotation marks. The maximum length of *value* is 132 characters (excluding the quotation marks). If *value* contains a quotation mark, use two single quotation marks. *value* can be a null string ("). If *value* is a time stamp, it can be 0.

%*key2*

Any simple keyword that was previously assigned a value, including DBRC-defined and user-defined keywords.

Any keyword can be assigned a value with the USERKEYS keyword. However, if you assign a value to DBRC-defined keywords, the value is ignored.

If a keyword is assigned a value in both the USERKEYS and DEFAULTS keyword, the value specified in USERKEYS is used.



## Examples

Here are some examples of using the GENJCL.RECEIVE command.

### *Example for the DBDS identified by the DBD and DDN keywords*

In this example, a GENJCL.RECEIVE command generates the JCL and control statements that are required to run the Database Recovery utility to receive an image copy for the DBDS that is identified in the DBD and DDN keywords.

If the INIT.DBDS command for the DBDS, for which the JCL is being generated, is specified with RECVJCL(*member*), that member is used and is found in the data set that is identified in the JCLPDS DD statement. If not, default skeletal member RECVJCL, from the JCLPDS data set is used. Output from the generated JCL goes to the data set that is identified in the JCLOUT DD statement. Skeletal member JOBJCL produces a job statement.

```
//GENJRCVE JOB
//JCLPDS DD . . .
//JCLOUT DD . . .

:
//SYSIN DD *
GENJCL.RECEIVE DBD(DBESDSA) DDN(DDESDSA)
/*
```

### *Example for all DBDSs in a group*

In this example, the GENJCL.RECEIVE command generates JCL and control statements to run the Database Recovery utility to receive image copies for all DBDSs of GROUP1.

The skeletal member used is RCVJCL2 from the data set identified in the PDS DD statement. Skeletal member JOBJCL produces a job statement for each member of the group. %DEFDBD1 and %DEFDBD2 are user-defined values in member RCVJCL2, which resolve to 'DEFINE DB1' and 'DEFINE DB2'. Default members DEF1, DEF2, and DEF3 are used to resolve user-defined keywords in RECJCL2. The default member for the DBDS, if initialized in the INIT.DBDS DEFLTJCL(MEMBER) command, is also used to resolve keywords. The values in the explicitly defined DEFAULTS members override values in the predefined DEFLTJCL member. The values specified in the USERKEYS keyword for a keyword override the values found in the DEFAULTS members.

```
//GENJRCV1 JOB
//OUT DD . . .
//PDS DD . . .
//SYSIN DD *
GENJCL.RECEIVE GROUP(GROUP1) MEMBER(RCVJCL2) -
JCLPDS(PDS) JCLOUT(OUT) -
USERKEYS((%DEFDBD1,'DEFINE DB1'),(%DEFDBD2,'DEFINE DB2')) -
DEFAULTS(DEF1,DEF2,DEF3)
```

### **Related reference:**

“Generating JCL and user-defined output” on page 241

“DBRC time stamps” on page 52

“Skeletal JCL syntax” on page 244

## GENJCL.RECOV command

Use the GENJCL.RECOV command to generate the JCL and utility control statements that are required to run the Database Recovery utility (DFSURDB0).

You can generate the JCL and utility control statements for a full recovery or a time-stamp recovery of a specified DBDS or area. All log data must be archived; otherwise the GENJCL.RECOV command fails.

### Restrictions:

- A GENJCL.RECOV command cannot be issued for a user-recoverable database.
- The GENJCL.RECOV command does not support ILDS and index data sets. To generate JCL for the HALDB Index/ILDS Rebuild utility (DFSPREC0), use the GENJCL.USER command.

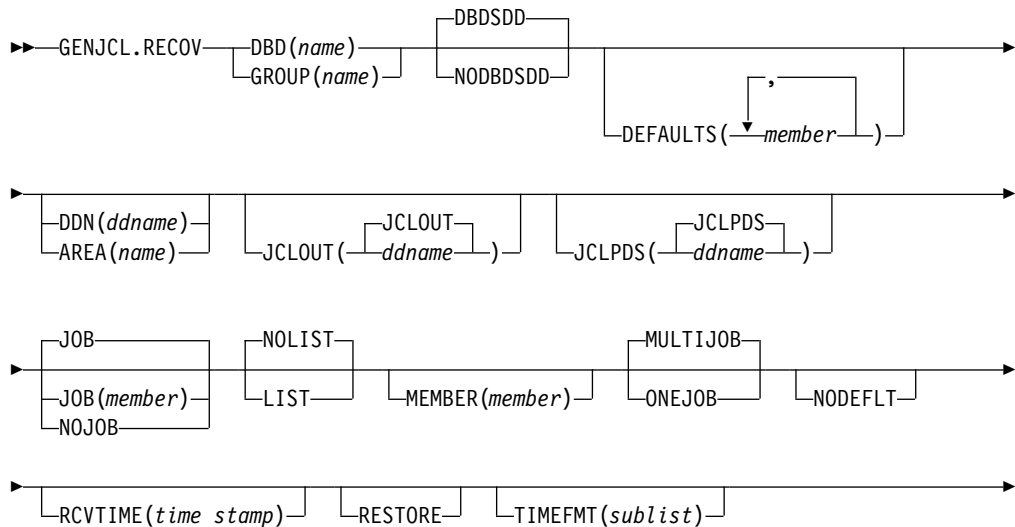
### Important:

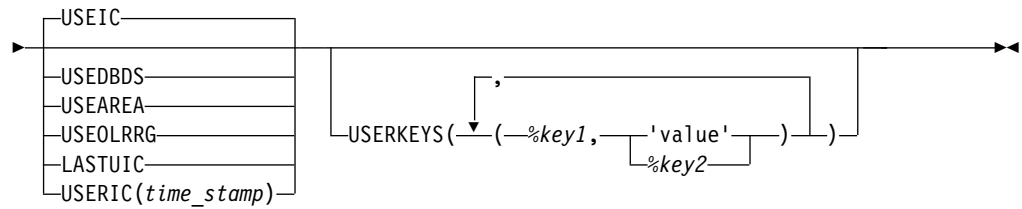
- For HALDB partitions, the GENJCL.RECOV command processes ILDS and index data sets differently than data DBDSs. The GENJCL.RECOV command skips these data sets in groups, regardless of whether the groups are explicit or implicit. If you specify one of these data sets explicitly, the GENJCL.RECOV command fails.

### Subsections:

- "Syntax"
- "Keywords" on page 231
- "Examples" on page 235

## Syntax





## Keywords

### DBD(*name*) | GROUP(*name*)

Mutually exclusive, required keywords that you use to specify the DBDSs that are to be recovered.

#### DBD(*name*)

Specifies the database name of the DBDSs to be recovered.

**Restriction for HALDB databases:** For the GENJCL.RECOV command, *name* specifies the name of either a HALDB master database or a HALDB partition.

#### GROUP(*name*)

Specifies that all DBDSs of a DBDS or CA group are to be recovered. If GROUP is specified, the GENJCL.RECOV command executes repeatedly for each DBDS of the DBDS or CA group. If you attempt an implicit or explicit group execution with recoverable and nonrecoverable DBDSs (and RESTORE is not specified), JCL is not generated for the nonrecoverable DBDSs.

### DBDSDD | NODBDSDD

Mutually exclusive, optional keywords that specify whether a DD statement for the DBDS is included in the generated JCL.

#### NODBDSDD

Specifies that a DD statement for the DBDS is not included in the generated JCL. The Database Recovery utility receives the data set name for the DBDS from DBRC.

The NODBDSDD keyword is applicable only to recoveries from Fast Replication image copies.

For example, the following command:

```
GENJCL.RECOV DBD(DB1) DDN(DBDS1) USEIC NOBDSDD
```

generates the following control statement.

```
S DB1 DBDS1 D
```

In this case, the DD statement DBDS1, which identifies the database data set, is not required in the job stream, because the DBDS name is extracted from DBRC.

#### DBDSDD

Specifies that a DD statement for the DBDS is included in the generated JCL.

For example, the following command:

```
GENJCL.RECOV DBD(DB1) DDN(DBDS1) USEIC
```

generates the following control statement.

```
S DB1 DBDS1 D10U1
```

In this case, you must include the DD statement DBDS1 in the job stream and the DD statement must reference the data set name of the target DBDS.

**DEFAULTS**(*member*)

Optional keyword you use to specify up to 10 names of skeletal JCL default members to be used when generating JCL. Default members are searched to resolve keywords in the order in which the members are specified on this keyword.

If a keyword is assigned a value in both the DEFAULTS and the USERKEYS keywords, the value specified in USERKEYS is used.

**DDN**(*ddname*) | **AREA**(*name*)

Mutually exclusive, optional keywords that you use to identify the DBDS *ddname* or DEDB area to be recovered.

The DDN or AREA keyword is specified only if the DBD keyword is specified.

For HALDB databases, you must specify a partition database name with the DBD keyword in order to use the DDN keyword. The DDN keyword value is the partition DDN. The GENJCL.RECOV command is performed for the identified DBDS of the partition. The GENJCL.RECOV command fails if DDN does not identify a data DBDS in the partition.

If DDN or AREA is not specified, the GENJCL.RECOV command executes repeatedly for each DBDS or area of the specified database. If you specify a HALDB master name, the GENJCL.RECOV command is performed for all data DBDSs for each HALDB partition in the HALDB master. If you specify a HALDB partition name, the GENJCL.RECOV command is performed for all data DBDSs of the identified partition.

**JCLOUT** (**JCLOUT** | *ddname*)

Optional keyword you use to specify the output data set for the generated JCL. The data set is specified by *ddname*. A JCL DD statement with this *ddname* must be included in the job step containing the GENJCL command. The specified data set can be a member of a partitioned data set, but only if it is not the same data set used for the default (JCLOUT).

**JCLPDS** (**JCLPDS** | *ddname*)

Optional keyword you use to specify the skeletal JCL data set that is to be used for input when generating JCL. The data set is specified by *ddname*. A JCL DD statement with this *ddname* must be included in the job step containing the GENJCL command.

**JOB** | **JOB**(*member*) | **NOJOB**

Mutually exclusive, optional keywords that you use to specify whether to produce the job statement in the generated JCL.

**JOB**

Specifies that the job statement is to be produced. When JOB is specified without a member name, the IBM-supplied execution member JOBJCL produces the job statement. When JOB(*member*) is specified, the specified execution member produces the job statement.

**NOJOB**

Specifies that the job statement is not to be produced in the generated JCL.

**NOLIST** | **LIST**

Mutually exclusive, optional keywords that you use to specify whether to write the generated JCL to the SYSPRINT data set.

**NOLIST**

Suppresses printing of the generated JCL.

**LIST**

Prints the generated JCL.

**MEMBER**(*member*)

Optional keyword you use to specify the name of the skeletal JCL execution member to be used. If this keyword is not specified, the default specified on the INIT.DBDS command is used.

**MULTIJOB** | **ONEJOB**

Mutually exclusive, optional keywords that you use to control how many JOB statements are generated when a DBDS group is specified either explicitly or implicitly.

**MULTIJOB**

Processes the skeletal JCL JOB member for each group member (multiple JOB statements are produced).

**ONEJOB**

Processes the skeletal JCL JOB member only for the first group member.

These keywords are invalid if NOJOB is specified or a DBDS group is not specified.

**NODEFLT**

Optional keyword you use to specify that the implicit skeletal JCL default member, if any, for the DBDS is not to be used.

**RCVTIME**(*time\_stamp*)

Optional keyword you use to specify a time-stamp recovery, which is a partial recovery of a DBDS or area to a point in time earlier than its most recent state. If you omit this keyword, you are requesting a full recovery to the most recent state.

A valid time stamp for a partial recovery is any point at which there are no allocations of the DBDS or area and there is not a merge of logs needed that cannot be resolved by running the Change Accumulation utility.

**Attention:** An allocation that has no de-allocation time recorded persists until the stop time of the current log.

**RESTORE**

Optional keyword that generates JCL for a DBDS that is designated as nonrecoverable. If the last image copy was taken before the DBDS was designated as nonrecoverable, normal recovery JCL is generated to recover the DBDS up to the point of the recovery-status change. If the last image copy was taken after the DBDS was designated as nonrecoverable, the generated JCL uses only the image copy for recovery.

If you attempt an implicit or explicit group execution with recoverable and nonrecoverable DBDSs (and RESTORE is specified), JCL is generated only for the nonrecoverable DBDSs.

Do not specify RESTORE for a recoverable DBDS.

**TIMEFMT**(*sublist*)

Optional keyword that defines the form in which time stamps appear in user-defined output. This specification overrides both the GENJCL default values and any values set on %SET statements in the input skeletal JCL.

The default for the GENJCL output time format is compressed, with a two-digit year, and the offset in numeric form: 960021315001 +0700. If you want the output time stamps to appear without offsets, for example, you can override the default with TIMEFMT(N).

The override is in effect only for the duration of a single GENJCL command.

#### **USEIC | USEDBDS | USEAREA | USEOLRRG | LASTUIC | USERIC**

Mutually exclusive, optional keywords that you use to specify the starting point of the requested recovery action.

##### **USEIC**

Starts the recovery with an image copy data set. You can then apply subsequent changes that occurred in the DBDS.

USEIC is the default.

##### **USEDBDS**

Recovery is performed using only the changes that have occurred to the DBDS in its current state. An image copy data set is not used as input to this recovery. You can specify the USEDBDS keyword only if you also specify the DBDS keyword, and only after performing a time-stamp recovery in which an image copy data set is used as input.

##### **USEAREA**

Recovery is performed using only the changes that have occurred to the DEDB area in its current state. An image copy data set is not used as input to this recovery. You can specify USEAREA only if you also specify the AREA keyword, and only after performing a time-stamp recovery in which an image copy data set is used as input.

##### **USEOLRRG**

Starts the recovery with a HALDB Online Reorganization updates.

##### **LASTUIC**

Specifies that the recovery of a restored database data set that uses the latest concurrent user image copy created from user-generated JCL.

When you specify the LASTUIC keyword, the concurrent image copy data set is not included in the recovery JCL, but all log data sets that are required to perform the time stamp recovery are included. To recover from a concurrent user image copy, you must specify either the USERIC or LASTUIC keyword. All logs that were used between the time indicated by the USERIC keyword and the time indicated by the RCVTIME keyword are obtained by the GENJCL.RECOV command, and these logs are used in the recovery.

**Restriction:** You must restore the database data sets from concurrent user image copies before you recover database data sets by using the GENJCL.RECOV LASTUIC command.

##### **USERIC(*time\_stamp*)**

Specifies the start time of a specific concurrent user image copy created from user-generated JCL. You must specify this keyword to indicate the run time of a concurrent user image copy generated from user-generated JCL that is used to restore a database data set for recovery. The time stamp must be in standard form.

The Database Recovery utility uses the time stamp only to determine the time from which to start applying the log data sets. The Database Recovery utility does not use the time stamp to determine which image copies to

use. The Database Recovery utility will look for the most recent image copy record related to a user image copy. You must then include the image copies yourself. You must specify either the USERIC or LASTUIC keyword to recover from a concurrent user image copy.

**Restriction:** You must restore the database data sets from concurrent user image copies before you recover database data sets by using the GENJCL.RECOV USERIC command.

You can use these keywords to recover a DBDS or area to a specified time stamp using an image copy data set and then apply the changes that have occurred since the image copy by specifying an additional recovery using the USEDBDS or USEAREA keyword.

**Restriction:** If this required time-stamp recovery restored the DBDS or DEDB area to a time that falls within an existing time-stamp recovery's range (the time between the RECOV TO and RUN times), the USEDBDS or USEAREA keyword is invalid.

#### **USERKEYS(%key1, 'value' | %key2)**

Optional keyword you use to set the value of keywords you have defined. Up to 64 keywords can be specified.

##### *%key1*

User-defined keyword that is being assigned a value. The maximum length of the keyword is 8 characters, including the percent sign. The first character after the percent sign must be alphabetic (A-Z). The remaining characters must be alphanumeric (A-Z, 0-9).

##### *'value'*

Value assigned to the user-defined keyword when it is encountered. *value* can be any character string enclosed in single quotation marks. The maximum length of *value* is 132 characters (excluding the quotation marks). If *value* contains a quotation mark, use two single quotation marks. *value* can be a null string ("). If *value* is a time stamp, it can be 0.

##### *%key2*

Any simple keyword that was previously assigned a value, including DBRC-defined and user-defined keywords.

Any keyword can be assigned a value with the USERKEYS keyword. However, if you assign a value to DBRC-defined keywords, the value is ignored.

If a keyword is assigned a value in both the USERKEYS and DEFAULTS keyword, the value specified in USERKEYS is used.

## **Examples**

The following examples show how to use the GENJCL.RECOV command to generate the JCL that is needed to run the Database Recovery utility.

### *Example for the DBDS identified in the DBD and DDN keywords*

In this example, a GENJCL.RECOV command generates the JCL and control statements required to run the Database Recovery utility for the DBDS identified in the DBD and DDN keywords. The USEIC keyword indicates that the time-stamp recovery starts with an image copy data set and ends with the log data set that has the stop time stamp specified in the RCVTIME keyword.

If the INIT.DBDS command for the DBDS for which the JCL is being generated is specified with RECOVJCL(*member*), that member is used and is found in the data set identified in the JCLPDS DD statement. If not, default skeletal member RECOVJCL from the JCLPDS data set is used. Output from the generated JCL goes to the data set identified in the JCLOUT DD statement. Skeletal member JOBJCL produces a job statement.

```
//GENJRCOV JOB
//JCLPDS DD . . .
//JCLOUT DD . . .

:
//SYSIN DD *
GENJCL.RECOV DBD(DBESDSA) DDN(DDESDSA) USEIC -
RCVTIME(071001212130)
/*
```

### *Example for all DBDSs in a group*

In this example, the GENJCL.RECOV command generates JCL and control statements to run the Database Recovery utility for all DBDSs of GROUP1. The skeletal member that is used is RECJCL2 from the data set identified in the PDS DD statement.

Skeletal member JOBJCL produces a job statement for each member of the group. %DEFDBD1 and %DEFDBD2 are user-defined values in member RECJCL2 which resolve to 'DEFINE DB1' and 'DEFINE DB2'. Default members DEF1, DEF2, and DEF3 are used to resolve user-defined keywords in RECJCL2. The default member for the DBDS, if initialized in the INIT.DBDS DEFLTJCL(MEMBER) command, is also used to resolve keywords. The values in the explicitly defined DEFAULTS members override values in the predefined DEFLTJCL member. The values specified in the USERKEYS keyword for a keyword override the values found in the DEFAULTS members.

```
//GENJRCV1 JOB
//OUT DD . . .
//PDS DD . . .
//SYSIN DD *
GENJCL.RECOV GROUP(GROUP1) MEMBER(RECJCL2) -
JCLPDS(PDS) JCLOUT(OUT) -
USERKEYS((%DEFDBD1,'DEFINE DB1'),(%DEFDBD2,'DEFINE DB2')) -
DEFAULTS(DEF1,DEF2,DEF3)
```

### **Related reference:**

- “Generating JCL and user-defined output” on page 241
- “DBRC time stamps” on page 52
- “Skeletal JCL syntax” on page 244
- “IBM-supplied skeletal JCL execution members” on page 277

---

## **GENJCL.USER command**

Use the GENJCL.USER command to generate JCL or any kind of user output.

You must provide the skeletal JCL execution member that is needed for the GENJCL.USER command.

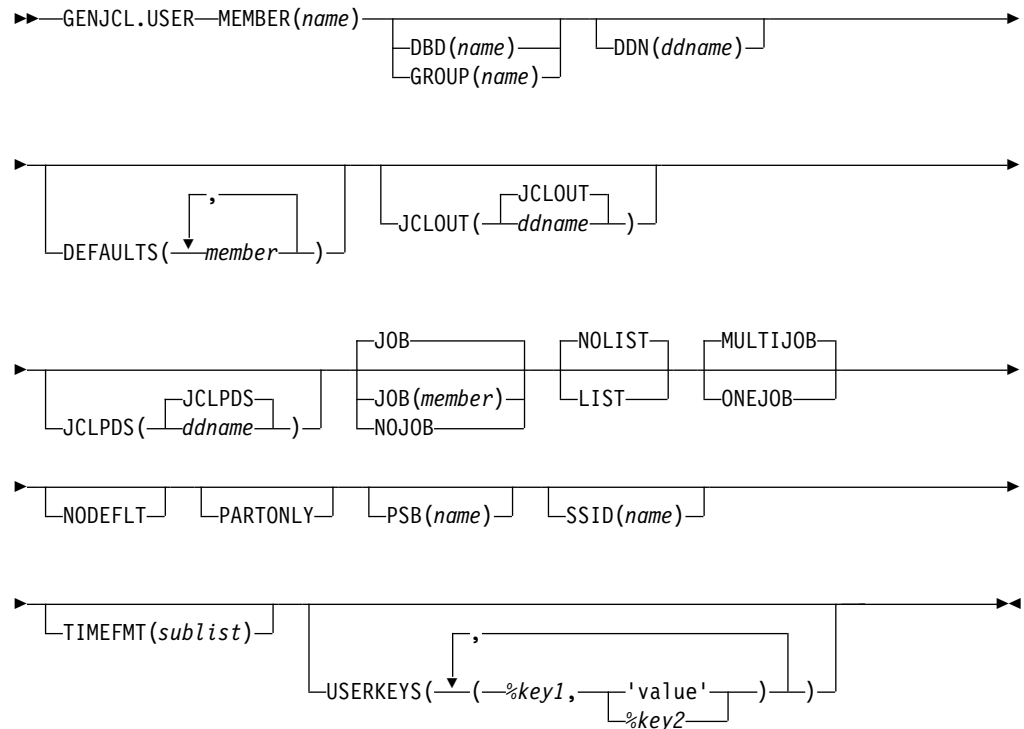
Subsections:

- “Syntax” on page 237
- “Keywords” on page 237



- “Example of generating JCL” on page 240

## Syntax



## Keywords

### MEMBER(*name*)

Required keyword you use to specify the name of the skeletal JCL execution member that is used to generate output. You must have already supplied the execution member.

The name can be any valid member name for a partitioned data set. If the specified member does not exist in the skeletal JCL data set, the command fails.

### DBD(*name*) | GROUP(*name*)

Mutually exclusive, optional keywords that you use to set the value of the %dbname keyword.

### DBD(*name*)

If you specify DBD without the DDN keyword, the GENJCL.USER command executes repeatedly for each DBDS or the specified database.

**Restriction for HALDB databases:** For the GENJCL.USER command, *name* specifies the name of either a HALDB master database name or a HALDB partition name. You can use this keyword to set the value of the %dbname keyword to be either a HALDB master name or a HALDB partition name. If you use a HALDB master name, the GENJCL.USER command is performed for all data DBDSs for each HALDB partition in the HALDB master. If you use a HALDB partition name, the GENJCL.USER command is performed for all DBDSs of the identified partition.

**GROUP** (*name*)

If you specify GROUP, the GENJCL.USER command executes repeatedly, once for each DBDS of the specified DBDS group. For each repeated execution, the DBD and DDN keywords are set to the corresponding group member.

If you specify neither DBD nor GROUP, the value of the %dbname keyword is null unless a value is assigned in the USERKEYS keyword or a skeletal JCL default member.

**DDN** (*ddname*)

Optional keyword you use to set the value of the %ddname keyword. If you do not specify DDN, the value of the %ddname keyword is null unless a value is assigned in the USERKEYS keyword or a skeletal JCL default member.

For HALDB databases, you must specify a partition database name with the DBD keyword in order to use the DDN keyword. In this case, the DDN is the partition DDN. The GENJCL.USER command is performed for the identified DBDS of the partition. The GENJCL.USER command fails if DDN does not identify a DBDS in the partition.

You cannot specify DDN if you also specify GROUP.

**DEFAULTS** (*member*)

Optional keyword you use to specify up to 10 names of skeletal JCL default members to be used when generating JCL or other user-defined output. Default members are searched to resolve keywords in the order in which the members are specified on this keyword.

If a keyword is assigned a value in both the DEFAULTS and USERKEYS keywords, the value specified in USERKEYS is used.

**JCLOUT** (**JCLOUT** | *ddname*)

Optional keyword you use to specify the output data set for the generated JCL or other user-defined output. The data set is specified by *ddname*. A JCL DD statement with this *ddname* must be included in the job step containing the GENJCL.USER command. The specified data set can be a member of a partitioned data set, but only if it is not the same data set that is used for the default (JCLOUT).

**JCLPDS** (**JCLPDS** | *ddname*)

Optional keyword you use to specify the skeletal JCL data set that is to be used for input when generating the JCL or other user-defined output. The data set is specified by *ddname*. A JCL DD statement with this *ddname* must be included in the job step containing the GENJCL.USER command.

**JOB** | **JOB** (*member*) | **NOJOB**

Mutually exclusive, optional keywords that you use to specify whether to produce the job statement in the generated JCL.

**JOB**

Specifies that the job statement is to be produced. When JOB is specified without a member name, the IBM-supplied execution member JOBJCL produces the job statement. When JOB(*member*) is specified, the specified execution member produces the job statement.

**NOJOB**

Specifies that the job statement is not to be produced in the generated JCL.

## **NOLIST | LIST**

Mutually exclusive, optional keywords that you use to specify whether to write the generated JCL to the SYSPRINT data set.

### **NOLIST**

Suppresses printing of the generated JCL.

### **LIST**

Prints the generated JCL.

## **MULTIJOB | ONEJOB**

Mutually exclusive, optional keywords that you use to control how many JOB statements are generated when a DBDS group is specified either explicitly or implicitly.

### **MULTIJOB**

Processes the skeletal JCL JOB member for each group member (multiple JOB statements are produced).

### **ONEJOB**

Only processes the skeletal JCL JOB member for the first group member.

These keywords are invalid if NOJOB is specified or if a DBDS group is not specified.

## **NODEFLT**

Optional keyword you use to specify that the implicit skeletal JCL default member, if any, for the DBDS is not to be used. If you do not specify GROUP or DBD, this keyword is ignored.

## **PARTONLY**

Optional keyword you use to specify that only the HALDB partitions are to be processed instead of all data DBDSs for each HALDB partition. PARTONLY is only meaningful for HALDB. If the specified DBD is not a HALDB master name or a HALDB partition name then this keyword is ignored. This keyword sets the value of %mdbname to the HALDB master name and %dbname to the HALDB partition name.

## **PSB(*name*)**

Optional keyword you use to set the value of the %PSB keyword.

*name* can be any character string. It does not need to be an actual PSB ddname. The maximum length of the name is 8 characters.

If you do not specify PSB, the value of the %PSB keyword is null unless a value is assigned in the USERKEYS keyword or a skeletal JCL default member.

## **SSID(*name*)**

Optional keyword used to set the value of the %SSID keyword.

*name* can be any character string. It does not need to be an actual IMS subsystem ID. The maximum length of the name is 8 characters.

If the SSID keyword is not specified, the value of the %SSID keyword is null, unless a value is assigned in the USERKEYS keyword or a skeletal JCL default member.

## **TIMEFMT(*sublist*)**

Optional keyword you use to define the form in which time stamps appear in user-defined output. This specification overrides both the GENJCL default values and any values set on %SET statements in the input skeletal JCL.

The default for the GENJCL output time format is compressed, with a two-digit year, and the offset in numeric form: 960021315001 +0700. If you want the output time stamps to appear without offsets, for example, you can override the default with TIMEFMT(N).

The override is good only for the duration of a single GENJCL command.

#### **USERKEYS(%key1, 'value' | %key2)**

Optional keyword you use to set the value of keywords you have defined. Up to 64 keywords can be specified.

##### *%key1*

User-defined keyword being assigned a value. The maximum length of the keyword is 8 characters, including the percent sign. The first character after the percent sign must be alphabetic (A-Z). The remaining characters must be alphanumeric (A-Z, 0-9).

##### *'value'*

Value assigned to the user-defined keyword when it is encountered. *value* can be any character string enclosed in single quotation marks. The maximum length of *value* is 132 characters (excluding the quotation marks). If *value* contains a quotation mark, use two single quotation marks. *value* can be a null string ("). If *value* is a time stamp, it can be 0.

##### *%key2*

Any simple keyword that was previously assigned a value, including DBRC-defined and user-defined keywords.

Any keyword can be assigned a value with the USERKEYS keyword. However, if you assign a value to DBRC-defined keywords, the value is ignored.

If a keyword is assigned a value in both the USERKEYS and DEFAULTS keyword, the value specified in USERKEYS is used.

## **Example of generating JCL**

In this example, the GENJCL.USER command generates JCL from member USER4 in the data set that is identified in DD statement MYJCLPDS. Output from the generated JCL goes to the data set identified in DD statement JCLOUT. Substitutions for %SSID, %DBNAME and %DDNAME should be made. Skeletal member JOBJCL produces a job statement.

```
//GENUSER JOB
//JCLOUT DD
//MYJCLPDS DD
//SYSIN DD *
GENJCL.USER MEMBER(USER4) JCLPDS(MYJCLPDS) DBD(DHONTZ04) -
        SSID(IMSA) DDN(HIDAM)
```

The following example shows the member USER4 that is to be executed:

```
/          ADD LIST=ALL,NAME=USER4,LEVEL=01,SOURCE=0
/          NUMBER NEW1=00000100,INCR=100
//*****
//*          MEMBER NAME = USER4          *
//* (SSID) SHOULD BE SUBSTITUTED IN LIST.SUBSYS COMMAND *
//* (DBNAME) SHOULD BE SUBSTITUTED IN LIST.DBDS COMMAND *
//* (DDNAME) SHOULD BE SUBSTITUTED IN LIST.DBDS COMMAND *
//*****
//USER4 EXEC PGM=DSPURX00
//SYSPRINT DD SYSOUT=A
//SYSIN DD *
```

```

LIST.SUBSYS SSID(%SSID) /* (SSID) SHOULD BE SUBSTITUTED */
LIST.DBDS DBD(%DBNAME) DDN(%DDNAME) -
/* (DBNAME) and (DDNAME) SHOULD BE SUBSTITUTED */
/*

```

**Related reference:**

“Generating JCL and user-defined output”

“DBRC time stamps” on page 52

“Skeletal JCL syntax” on page 244

## Skeletal JCL for DBRC

DBRC uses partitioned data set (PDS) members as input models (or templates) to generate input for some of the recovery utilities. These PDS members are distributed with IMS and are called *skeletal JCL*.

DBRC uses the skeletal JCL, information from the RECON data set, and instructions from a GENJCL command to generate the JCL and control statements that are needed to correctly run some of the recovery utilities. Modify the skeletal JCL to reflect your installation's system configuration.

### Generating JCL and user-defined output

Eight GENJCL commands are supported by the Database Recovery Control utility. Seven of these commands generate the JCL and control statements necessary to run various IMS recovery-related utilities. You can use the remaining command, GENJCL.USER, to generate user-defined output, including JCL.

The following table shows the GENJCL commands and their output.

*Table 5. GENJCL commands and output*

Command (PDS member)	Output generated
GENJCL.ARCHIVE (ARCHJCL member)	Log Archive utility JCL and control statements
GENJCL.CA (CAJCL member)	Database Change Accumulation utility JCL and control statements
GENJCL.CLOSE (LOGCLJCL member)	Log Recovery utility JCL and control statements
GENJCL.IC (ICJCL member)	Database Image Copy or Database Image Copy 2 utility JCL and control statements
GENJCL.OIC (OICJCL member)	Online Database Image Copy utility JCL and control statements
GENJCL.RECEIVE (ICRCVJCL member)	Database Recovery utility JCL and control statements
GENJCL.RECOV (RECOVJCL member)	Database Recovery utility JCL and control statements
GENJCL.USER (DSPUPJCL member)	User-defined output, including JCL and control statements. Sample JCL for the HALDB INDEX/ILDS Rebuild utility (DSPUPJCL) is shipped with IMS and can be used with the GENJCL.USER command, but other types of JCL can be used as well. No default is defined.

When you issue a GENJCL command, it uses a skeletal JCL execution member. The execution member is a model of the JCL or user output that you are producing. The execution member contains symbolic keywords. DBRC substitutes current

information for the symbolic keywords. The substituted information comes from the RECON data set and from skeletal JCL default members, and from your USERKEY values. Typical of the information DBRC substitutes for symbolic keywords are data set names and volume information. DBRC performs the keyword substitution and then generates the JCL or user output you requested by issuing the GENJCL command.

IBM supplies a JOB statement execution member that is used by all GENJCL commands. If the IBM-supplied skeletal JCL execution members meet your general requirements, you can modify them slightly to provide installation-specific information.

If the IBM-supplied skeletal JCL does not meet your general requirements or if you plan to use the GENJCL.USER command, you must write your own skeletal JCL members or define new symbolic keywords to include in the IBM-supplied skeletal JCL. IBM provides no skeletal JCL execution member for the GENJCL.USER command.

**Related reference:**

“Symbolic keywords recognized by DBRC” on page 268

“Using IBM-supplied skeletal JCL”

## Using IBM-supplied skeletal JCL

If you are generating JCL for the IMS recovery-related utilities using the IBM-supplied skeletal JCL execution members, the process is simple. It involves modifying the IBM-supplied skeletal JCL execution members.

Before you use them:

- Add two DD statements (JCLPDS and JCLOUT) to the DBRC dependent address space procedure used for online IMS. JCLPDS identifies the partitioned data set containing the skeletal JCL execution members. JCLOUT identifies the data set to which the generated job is to be written. Output is in card image format. The output data set can be a punch file, a DASD data set that you plan to examine before submitting the job for execution, or the z/OS internal reader.  
These two DD names can be specified on the GENJCL command. When GENJCL is used, the two specified data sets are in effect for the GENJCL command only, and not for the life of the job. The JCLOUT data set is opened at the start of the command execution and closed at the end of the command execution. Consequently, if multiple GENJCL commands are concatenated in the job stream, the JCLOUT data set (if other than the z/OS internal reader) only contains the results from the last command that was processed.
- Add any STEPLIB DD names, and job accounting information that your installation requires to the skeletal JCL execution member. Except for the skeletal JCL member for the JOB statement, do not add any JOBLIB, and JES control statements to your skeletal JCL; doing so causes errors if multiple steps are generated.
- Change the default value for the REGION parameter on the skeletal JCL EXEC statement if the existing one is not correct for your installation.
- If you plan to generate JCL to run the Log Recovery utility (member LOGCLJCL), replace the DFSWADS0 DD statement.

**Recommendation:** Exercise care when modifying the skeletal JCL, because DBRC does not verify any of the JCL that is generated.

## Skeletal JCL data set members

The skeletal JCL data set contains the skeletal JCL members used by the GENJCL command processor to generate output.

As shown in the following figure, the two types of skeletal JCL members are execution members and default members.

Execution members are models of the output you are generating. Execution members can be IBM supplied or supplied by you. Execution members contain symbolic keywords, which represent information DBRC provides.

Default members specify default values for symbolic keywords in the execution members. The use of default members is optional. You provide the default members. To use a default member, you specify the member on the GENJCL command. Or, in the case of DBDS and CA groups, you can implicitly specify the default member.

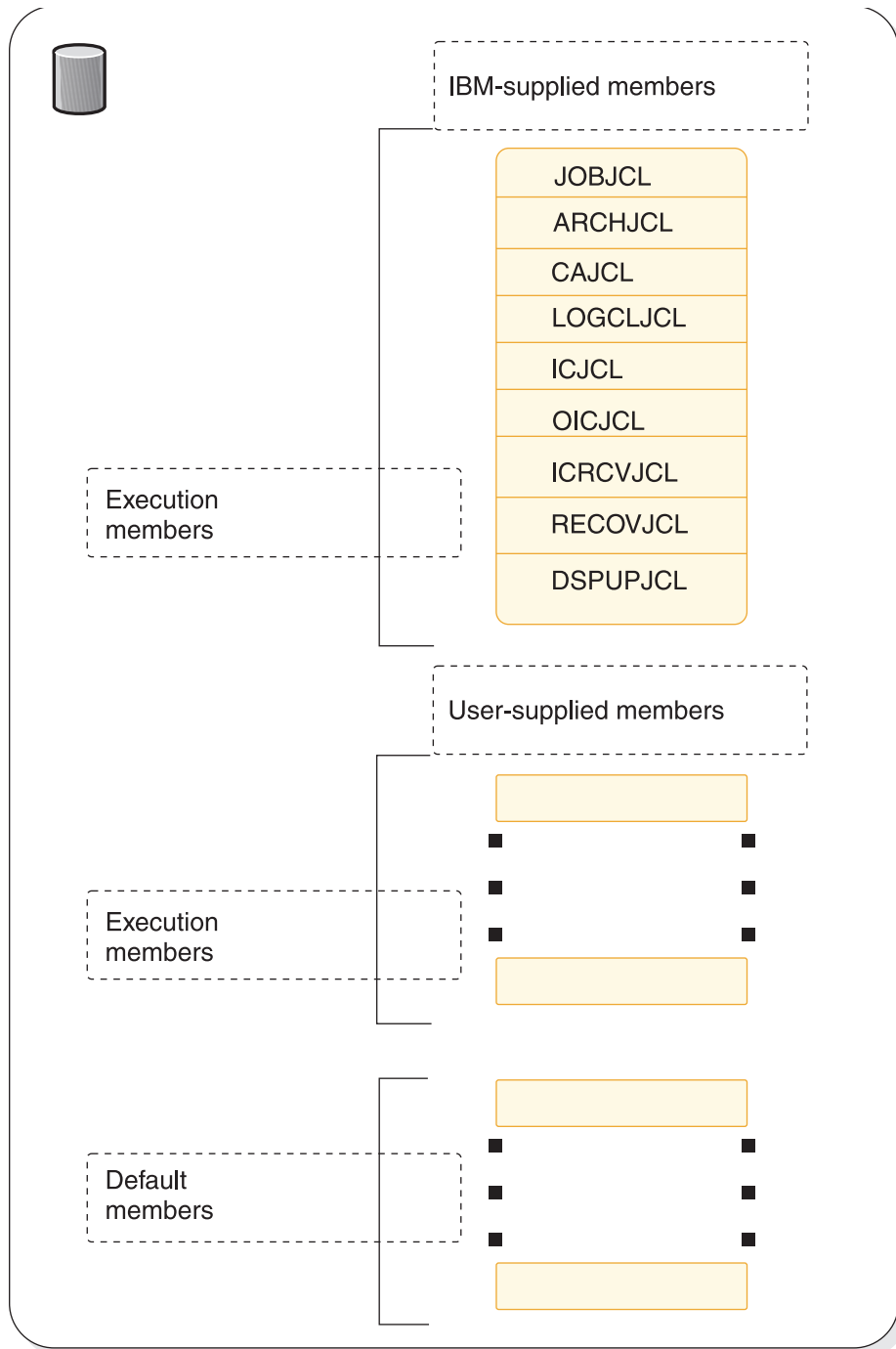


Figure 1. Skeletal JCL data set contents

## Skeletal JCL syntax

Skeletal JCL execution members are models of the output to be produced. The execution members contain symbolic keywords and control keywords. Symbolic keywords are symbolic parameters that DBRC substitutes with a value in the output stream (for example, data set names), based upon what is specified on a GENJCL command and information obtained from the RECON data set.



Control keywords regulate what output is generated by DBRC, based upon what is specified on a GENJCL command (for example, what RECON records are to be used for keyword substitution).

The keywords in skeletal JCL members must be in uppercase.

Subsections:

- “Symbolic keywords”
- “%SELECT and %ENDSEL control keywords” on page 246
- “%DELETE and %ENDDEL control keywords” on page 249
- “%SET MEMBER control keyword” on page 250
- “%SET TIMEFMT control keyword” on page 251
- “Conventions for control keywords” on page 252
- “Writing skeletal JCL default members” on page 267
- “Specifying default members” on page 267
- “Using user-supplied or modified skeletal JCL” on page 268

## Symbolic keywords

When JCL is generated, symbolic keywords in the skeletal JCL execution members are replaced with the current keyword value. For example, the IBM-supplied skeletal JCL execution members use %TIME as a symbolic keyword. When DBRC encounters %TIME, it replaces it with the time of day. Keyword substitution occurs each time DBRC encounters a symbolic keyword. Multiple symbolic keywords can exist in a skeletal JCL execution member.

Symbolic keywords must be assigned a value before you use them. Keyword values are assigned (or set) in several different ways as specified below:

- The GENJCL command specifies values for some of the symbolic keywords in skeletal JCL execution or default members. User-defined keywords are assigned a value in the USERKEYS parameter in the command. Other keyword values are set by various parameters on the command. For example, the SSID parameter sets the value for the %SSID keyword (the subsystem ID).
- Skeletal JCL default members set default values for keywords in skeletal JCL execution members.
- The RECON data set also provides keyword values. For example, when the GENJCL.ARCHIVE command is issued, the ddnames and data set names for the OLDS are obtained from the PRIOLDS and SECOLDS records.
- Some keyword values are implicitly known, for example the time of day.

If during the JCL generation process, a keyword is encountered that has not been assigned a value, no substitution takes place. Instead, DBRC issues a warning message.

When writing your own skeletal JCL execution members, you can define your own symbolic keywords as well as use the symbolic keywords already recognized by DBRC. You can also define your own symbolic keywords and add them to the IBM-supplied skeletal JCL execution members.

Here are some conventions, restrictions, and other detail you should know when writing symbolic keywords:

- Keywords must begin with a percent (%) sign.

- The minimum keyword length is two characters, including the percent sign. The maximum length is eight characters, including the percent sign.
- Keywords must be written using uppercase letters only (A rather than a).
- The first character after the percent sign must be alphabetic (A-Z); the remaining characters must be alphanumeric (A-Z, 0-9). Keywords are delimited by a non-alphanumeric character or when the maximum length is reached.
- DBRC does not use any keywords beginning with %W, %X, %Y, or %Z. You can, therefore, use these characters for your own keywords without conflicting with predefined keywords.
- User-defined symbolic keywords must be assigned a value with the USERKEYS parameter on the GENJCL command or with a skeletal JCL default member.
- Keyword substitution is performed on columns 1-71 of the skeletal JCL records. Columns 72-80 are not modified. If the keyword value is shorter than the keyword, the remaining data on the record is shifted to the left and filled with blanks. If the keyword value is longer than the keyword, the remaining data is shifted to the right. If any non-blank characters are shifted beyond column 71, a JCL continuation statement is generated. In some cases (for example, when the output is not a JCL statement), it might not be possible to generate a JCL continuation statement, because a comma or blank must exist in the output record for DBRC to split it. When DBRC cannot find a break in the statement, it splits the statement at column 71.

## **%SELECT and %ENDSEL control keywords**

The %SELECT control keyword selects the RECON records that are needed in order to resolve symbolic keywords. The %ENDSEL control keyword indicates the end of the records selected by the %SELECT keyword. These control keywords always occur in pairs. A %SELECT keyword is followed by one or more execution member records, which is followed by the %ENDSEL keyword. This sequence of records is called a control group or, more specifically, a select group.

Use the %SELECT keyword to select one or more records from the RECON data set. The selected records identify IMS data sets or events tracked by DBRC. Information from the selected records is used to resolve symbolic keywords in the select group. Symbolic keywords can occur in the execution member records or in the %SELECT keyword statement.

The format for a select group follows:

```
%SELECT record_type(selection_criteria)
      execution_member_record(s)
%ENDSEL
```

The record\_type is the type of RECON record to be selected. You can select any of the following *record\_types*:

- OLDS (PRIOLD)
- SLDS (PRISLD)
- RLDS (PRILOG)
- IC (IMAGE)
- CA (CA)
- ALLOC (ALLOC)
- DBDS (DBDS)

The `selection_criteria` depend on the type of record you select, and can be time ranges and `ddnames`.

Both the `record_type` and `selection_criteria` can be symbolic keywords.

As RECON records are selected, information from them is used to set the values of symbolic keywords. Depending on the type of record being selected, the values of a particular group of symbolic keywords associated with the selected record are set.

Any values assigned to a keyword before the select group is processed are overridden when the select group is processed. The keyword values in effect after the select group is processed are the values set from the last selected record. Keyword values remain unchanged if no records are selected. In this case, the records in the select group are not processed. The next records to be processed are those that appear just after the `%ENDSEL` statement. A select group can occur within a delete group. When this occurs and the delete group is deleted, the select group is not processed, and no keyword values are set (or changed).

The `selection_criteria` for a select group can cause one or more RECON records to be selected. One execution member can be output more than once depending upon the type of records that have been selected.

When the output stream is JCL, a select group can generate either concatenated or repeated DD statements. The first execution member record of the select group determines which is to be generated. Repeated DD statements are generated if this record is a JCL DD statement and the `ddname` is a symbolic keyword. Otherwise, a concatenated DD statement is generated.

### **Example:**

Assume that the first record is:

```
//DDNAME DD DSN= . . .
```

In this case, concatenated DD statements are generated. Alternatively, the first record might be:

```
://%DDNAME DD DSN= . . .
```

In this case, repeated DD statements are generated. When repeated DD statements are generated, you must provide some mechanism to ensure that the repeated `ddnames` are unique. When selecting OLDSs, DBRC uses the OLDS `ddname`, which is in the OLDS RECON record. DBRC does not track `ddnames` for any other type of data set. Therefore, DBRC might not be able to generate unique `ddnames` for data sets that are not OLDSs.

The two sections that follow explain the `record_type` and `selection_criteria` parameters in more detail.

### ***Specifying the record type parameter***

The types of records that can be specified on the `%SELECT` keyword are shown in the following table.

Table 6. Records that can be selected using the %SELECT keyword

record_type	What is selected
OLDS	Specifies that OLDSs are to be selected. If dual logging is in effect, both PRIOLDS and SECOLDS can be selected.
SLDS	Specifies that PRISLDSs are to be selected. The PRISLDS is selected unless the SLDS record in the RECON data set shows the SLDS has an error. In this case, the SECSLDS is selected. The SLDS is the one created by the Log Archive utility when archiving OLDSs, not the one created by an IMS batch region. To select an IMS batch SLDS, specify RLDS.
SSLDS	Specifies that SECSLDSs are to be selected.
RLDS	Specifies that RLDSs are to be selected. The PRIRLDS is selected unless the PRILOG record in the RECON data set indicates the RLDS has an error. In this case, the SECRLDS is selected. RLDS refers to both the RLDS created by the Log Archive utility and the SLDS created by an IMS batch region.
SRLDS	Specifies that SECRLDSs are to be selected.
IC	Specifies that image copy data sets are to be selected.
CA	Specifies that change accumulation data sets are to be selected.
ALLOC	Specifies that DBDS allocation records are to be selected.
DBDS	Specifies that DBDS records are to be selected.

### *Understanding the selection criteria parameter*

The selection criteria depend on the record type you select. Selection criteria are described under the sections on selecting individual record types.

The following common terms, used for selection criteria, are used in the remainder of this chapter.

#### ***dbds\_qualifier***

Specifies the DBDS with which the selected records are to be associated. The DBDS can be specified as dbname, ddname, or CA group name. When a CA group name is specified, all DBDSs in the CA group are used for selection. The DBDS qualifier is used when selecting:

- RLDSs
- Change accumulation data sets
- Image copy data sets
- ALLOC records
- DBDSs

#### ***time\_qualifier***

Specifies a time stamp or a range of time stamps.

DBRC selects RECON records by their record key. Many records contain a time stamp and the time that is contained in the record key is signified by an adjacent asterisk (\*) in a listing. The time qualifier that is specified in a FROMTIME or TOTIME parameter determines what records DBRC selects.

Some records such as PRILOG or PRISLDS records consist of multiple DSN entries, each of which has a start time and stop time. DBRC cannot select specific DSN entries without first selecting the entire log record. The

FROMTIME and TOTIME values must be specified such that the entire log record that contains the required DSN entries is selected based on the time stamp that is in the record key.

For example, if you specify a FROMTIME of 12:00, DSN entries with time stamps later than 12:00 (but that are included in a PRISLDS record with a start time of 11:00) would not be selected and displayed by DBRC, because the PRISLDS record itself has a time stamp earlier than the specified FROMTIME. You can specify a zero time value.

**FIRST**

Specifies that the oldest record is to be selected.

**LAST**

Specifies that the most recent record is to be selected.

**(FROM(*time*),TO(*time*)) or (FROM(*time*)) or FROM(*time*) or (TO(*time*)) or TO(*time*)**

Specifies that all records with time greater than or equal to the FROM time and less than or equal to the TO time are to be selected.

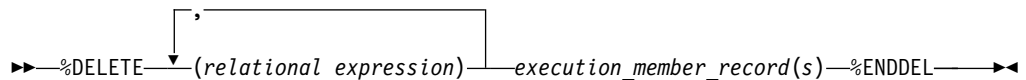
**ALL**

Specifies that all records are to be selected.

**%DELETE and %ENDDDEL control keywords**

The %DELETE keyword deletes records from the generated output stream. Deletion occurs based on a specific condition. The %ENDDDEL keyword delimits the scope of the %DELETE keyword. These control keywords always occur in pairs. A %DELETE keyword is followed by one or more execution member records, which is followed by the %ENDDDEL keyword. This sequence of records is called a control group or, more specifically, a delete group.

Use the %DELETE and %ENDDDEL keywords to delete records from the output stream based on a specific condition. The syntax of a delete group follows:



%DELETE statements cannot be nested. Each %DELETE keyword must be followed by a corresponding %ENDDDEL before another %DELETE keyword is encountered.

The relational expression must be of the form %keyword op 'value' or %keyword op '%userkey' where:

- %keyword is any symbolic keyword.
- 'value' is any character string enclosed in single quotation marks. A null string (' ') can be specified for the value. You can specify a zero time value.
- %userkey is any keyword defined through the USERKEYS parameter in the GENJCL command. The %userkey must be enclosed in quotation marks and the %userkey value must exclude leading zeros.
- op is one of the following operators:

<b>EQ</b>	Equal
<b>NE</b>	Not equal
<b>LT</b>	Less than

<b>LE</b>	Less than or equal
<b>GT</b>	Greater than
<b>GE</b>	Greater than or equal

When a %DELETE keyword is encountered in a skeletal JCL execution member, the relational expression is evaluated. If the expression is true, the delete group is deleted from the output stream. If the expression is false, the applicable records are copied to the output stream after keywords are resolved. If a value has not been assigned to a keyword, the value is the null string (' '). If an undefined keyword is encountered in the skeletal JCL, an error message is received and no substitution takes place.

### *Specifying complex expressions*

You can specify complex expressions consisting of multiple relational expressions joined by connectives

**Definitions:** A connective is one of the following logical functions:

<b>&amp;</b>	AND function
<b> </b>	OR function

The following is an example of a complex expression:

```
%DELETE (relexp1 | relexp2 & relexp3)
```

The DELETE group is deleted when the entire complex expression is logically true. Complex expressions should have the following characteristics:

- The entire DELETE statement (including the %DELETE) is limited to 80 characters, within which up to five expressions are allowed.
- A connective must be the first character following a relational expression (blanks are optional).
- The statement is processed from left to right with no connective priority and no bracketing.

where:

relexpx = relational expression

This complex expression takes the results of the OR operation between relexp1 and relexp2 and performs the AND operation with relexp3.

### **%SET MEMBER control keyword**

The %SET MEMBER keyword specifies a different skeletal JCL execution member that is to be used in the next step of a multistep job. The %SET MEMBER keyword can be used when you are generating multistep jobs (such as GENJCL.CA with the VOLNUM parameter specified). You use %SET MEMBER to specify a different skeletal JCL execution member than the one that is executed for the first step of the job. The execution member you specify is used in all job steps after the first. You can explicitly code various %keywords in the execution member that is used in job steps after the first one. For example, you can explicitly code the %CAODSN keyword, which is the name of the input change accumulation data set.

The syntax of the %SET MEMBER keyword is:

The %SET MEMBER keyword can be placed anywhere in the current skeletal JCL execution member. However, it takes effect only after processing of the current execution member is complete. If you specify more than one %SET MEMBER keyword, the last one specified is the one that is used. In the new member, you can place a %SET statement that specifies any member name.

*newmbrname* is the name of the skeletal JCL execution member that is to be used for all job steps after the first job step. *newmbrname* must reside in the library named in the JCLPDS DD statement. *newmbrname* is not used until it is necessary to begin processing of the new member. It is possible to specify an incorrect member name and not have an error condition occur until a GENJCL command is issued that causes enough steps to be generated to cause the member to be read.

### %SET TIMEFMT control keyword

The %SET TIMEFMT keyword is used to specify a format for time stamps that appear in GENJCL output. JCL from previous versions with time stamps that were not set to include microseconds cannot be reused.

For GENJCL.USER, the default is TIMEFMT(0,0,C,2,6).

Note that the GENJCL TIMEFMT default values have been chosen to produce correct output with IBM-supplied skeletal JCL. If you use the %SET statement to change the TIMEFMT values in a way that affects the values substituted into the IBM-supplied JCL statements, the results might be invalid.

#### Example:

Here is an example of the %SET TIMEFMT keyword in skeletal JCL.

```
%SET TIMEFMT(,N)
%SELECT RLDS(%SSID, LAST)
LOGEND =%LOGETIM
%ENDSEL
```

And here is what the output from the preceding example of %SET would render:

```
LOGEND =96011131500023456
```

The next four examples are based on the following skeletal JCL member (called USER01) that is used with GENJCL.USER.

```
%SELECT RLDS(%SSID, LAST)
LOGETIM=%LOGETIM
%ENDSEL
```

- This sample output format was obtained by using the USER01 JCL, specifying SSID(XXXX), and using the default for TIMEFMT, which is:

```
TIMEFMT(0,0,C,2,6)
LOGETIM=96002131400123456-0700
```

- This sample output format was obtained by using the USER01 JCL, specifying SSID(XXXX), and using the default for TIMEFMT on an open log.

```
LOGETIM=0000000000000000+0000
```

- This sample output format was obtained by using the USER01 JCL, specifying SSID(XXXX), and using the specification, TIMEFMT(,N).

```
LOGETIM=96011131454423456
```

- This sample output format was obtained by using the USER01 JCL, specifying SSID(XXXX), and using the specification, TIMEFMT(,,P,4).

LOGETIM=1996.011 13:15:00.023456 -07:00

- This sample output format was obtained by using the USER01 JCL, specifying SSID(XXXXX), and using the specification, TIMEFMT(,,P4,1).

LOGETIM=1996.011 13:15:00.0 -07:00

**Restriction:** The %SET TIMEFMT keyword affects GENJCL output only if it is issued through the GENJCL command or from a %SET statement in the skeletal JCL.

The syntax of the %SET TIMEFMT keyword is:

▶▶—%SET\_TIMEFMT(*subparm*, [*subparm*], ...)—————▶▶

## Conventions for control keywords

When writing control keywords, observe the following conventions and restrictions:

- Control keywords must begin in column 1 of a skeletal JCL execution member record.
- Everything specified for the keyword must be contained on one record. Any data following the control statement is ignored.
- Any number of skeletal JCL execution member records can be contained in a control group.
- Delete groups and select groups cannot be nested. However, a select group can be contained within a delete group, or a delete group can be contained within a select group.
- Execution member records containing control keywords are not copied to the output stream.

### Selecting OLDSs

The syntax of the %SELECT keyword to select OLDSs is as follows:

▶▶—%SELECT—OLDS(*ssid*,*olds\_qualifier*)—————▶▶

#### *ssid*

Subsystem ID of the IMS online control region that created the OLDS.

#### *olds\_qualifier*

Specifies the OLDSs that are to be selected as follows:

##### **INUSE**

Specifies that the OLDS that is currently in use by the specified subsystem is to be selected. If dual logging is in effect, both the primary and secondary OLDSs are selected.

##### **LATEST**

Specifies that the OLDS that was most recently opened by the specified subsystem is to be selected. If dual logging is in effect, both the primary and secondary OLDSs are selected.



**UNARCH**

Specifies that all unarchived OLDSs for the specified subsystem are to be selected. If dual logging is in effect, both the primary and secondary OLDSs are selected.

**(DDNAME)**

Specifies one or more OLDSs by ddname. If dual logging is in effect and both the primary and secondary OLDS are to be selected, both ddnames should be specified.

**ALL**

Specifies that all OLDSs for the specified subsystem are to be selected.

In the execution member records following the %SELECT keyword, you use symbolic keywords to specify the type of information to be gathered for each OLDS record that is selected. The types of information you can gather are:

**%OLDSDDN**

The ddname of the OLDS.

**%OLDSDSN**

The data set name of the OLDS.

**%OLDSTYP**

The OLDS type. DBRC sets the %OLDSTYP to P for primary OLDS or S for secondary OLDS.

**%OLDOTIM**

The time the OLDS was opened. DBRC sets %OLDOTIM in the form yyddhhmsssthmiju{offset}.

**%OLDCTIM**

The time the OLDS was closed. DBRC sets %OLDCTIM in the form yyddhhmsssthmiju{offset}. If the OLDS has not been closed, DBRC sets the time to 0000000000000000+0000.

**%OLDSSEL**

Set to YES if any OLDS was selected. Otherwise, set to NO.

**%OLDFRID**

The log record sequence number of the first log record of the OLDS.

**%OLDLRID**

The log record sequence number of the last log record of the OLDS.

**Example 1:** The following select group generates repeated DD statements for all unarchived OLDSs belonging to subsystem IMSA.

```
%SELECT    OLDS(IMSA,UNARCH)
//%OLDSDDN DD DSN=%OLDSDSN,DISP=SHR
%ENDSEL
```

The JCL generated by this select group might be:

```
//DFSOLP00 DD DSN=IMS.OLDSP00,DISP=SHR
//DFSOLS00 DD DSN=IMS.OLDSS00,DISP=SHR
//DFSOLP01 DD DSN=IMS.OLDSP01,DISP=SHR
//DFSOLS01 DD DSN=IMS.OLDSS01,DISP=SHR
```

**Example 2:** The following select group generates a list of all OLDSs belonging to subsystem IMSA:

```

%SELECT      OLDS(IMSA,ALL)
%OLDSTYPOLDS DD NAME=%OLDSDDN
              DSN=%OLDSDSN
              CLOSE TIME=%OLDSCTIM
%ENDSEL

```

The output generated by this select group might be:

```

POLDS DD NAME=DFSOLP00
      DSN=IMS.POLDS00
      CLOSE TIME=84235163819300000+0012
POLDS DD NAME=DFSOLP01
      DSN=IMS.POLDS01
      CLOSE TIME=84235171224600000+0055
POLDS DD NAME=DFSOLP02
      DSN=IMS.POLDS02
      CLOSE TIME=00000000000000000+0000

```

### Selecting SLDSs

The syntax of the %SELECT keyword to select SLDS is:

```

▶▶ %SELECT—slds_type(ssid,time_qualifier) ◀◀

```

#### *slds\_type*

Can be specified as SLDS (for the PRISLD) or SSLDS (for the SECSLD). This keyword selects the entire RECON record, not individual data sets. Therefore, all data sets identified in the SLDS record are selected.

If the selected PRILOG data set is marked in error, DBRC selects the associated secondary data set if one that is not also in error exists. If the associated data set exists but is also in error, DBRC selects the original record. If SSLDS is specified, the SECLOG data set is selected regardless of whether it is marked in error. An SLDS record might not contain a DSN entry. In this case, the values for %SLDSN, %SLDUNIT, and %SLDVOLS are null. By using the LASTDSET time qualifier you can have the last PRISLDS data set that contains data set entries returned. You must use the %DELETE statement in order to ensure that DBRC substitutes valid data in the generated JCL.

#### *ssid*

The subsystem ID (of the IMS online control region) that created the OLDSSs that were archived to become SLDSs.

#### *time\_qualifier*

Specifies a time stamp or a range of time stamps.

DBRC selects RECON records by their record key. Many records contain a time stamp and the time that is contained in the record key is signified by an adjacent asterisk (\*) in a listing. The time qualifier that is specified in a FROMTIME or TOTIME parameter determines what records DBRC selects.

Some records such as PRILOG or PRISLD records consist of multiple DSN entries, each of which has a start time and stop time. DBRC cannot select specific DSN entries without first selecting the entire log record. The FROMTIME and TOTIME values must be specified such that the entire log record that contains desired DSN entries is selected based on the time stamp that is in the record key.

For example, if you specify a FROMTIME of 12:00, DSN entries with time stamps later than 12:00 (but that are included in a PRISLDS record with a start

time of 11:00) would not be selected and displayed by DBRC, because the PRISLDS record itself has a time stamp earlier than the specified FROMTIME. You can specify a zero time value.

**FIRST**

Specifies that the oldest record is to be selected.

**LAST**

Specifies that the most recent record is to be selected.

**LASTDSET**

LASTDSET is similar to LAST, but this keyword ignores empty log records and returns the last SLDS that contains DSN entries. This keyword is valid only for RLDS or SLDS (including secondary). If LASTDSET is specified for any other record type, it will default to LAST.

**(FROM(*time*),TO(*time*)) or (FROM(*time*)) or FROM(*time*) or (TO(*time*)) or TO(*time*)**

Specifies that all records with time greater than or equal to the FROM time and less than or equal to the TO time are to be selected.

**ALL**

Specifies that all records are to be selected.

In the execution member records following the %SELECT keyword, you specify (using symbolic keywords) the type of information to be gathered for each SLDS record that is selected. The types of information you can gather are:

**%SLDSDSN**

The data set name of the SLDS.

**%SLDUNIT**

The unit type of the SLDS.

**%SLDVOLS**

The volume serial number of the SLDS.

**%SLDFSEQ**

The file sequence number of the SLDS.

**%SLDSTIM**

The start time of the SLDS. DBRC sets the %SLDSTIM in the form *yyddhhmmssthmi**ju*{*offset*}.

**%SLDETIM**

The stop time of the SLDS. DBRC sets the %SLDETIM in the form *yyddhhmmssthmi**ju*{*offset*}.

**%SLDOTIM**

The start time of the PRISLDS/SECSLDS. DBRC sets %SLDOTIM in the form *yyddhhmmssthmi**ju*{*offset*}.

**%SLDSSEL**

Set to YES if any SLDS was selected. Otherwise, set to NO.

**%SLDRMT**

Set to YES if the SLDS was created at the tracking site. Otherwise, set to NULL.

**%SLDFRID**

The log record sequence number of the first log record of the SLDS.

**%SLDLRID**

The log record sequence number of the last log record of the SLDS.

## %SLDCHKT

The Checkpoint Types value of the SLDS data set entry. This is a hexadecimal representation of the bit settings of the value where:

- Bit 0 - simple checkpoint
- Bit 1 - snapq checkpoint
- Bit 2 - dumpq checkpoint
- Bit 3 - purge checkpoint
- Bit 4 - freeze checkpoint
- Bit 5-7 - not used

**Example 1:** The following select group generates the most recent SLDS for subsystem IMSA.

```
%SELECT      SLDS(IMSA, LAST)
LATEST SLDS: DSN=%SLDSDSN
              STOP TIME=%SLDETIM
%ENDSEL
```

The output generated by this select group might be:

```
LATEST SLDS: DSN=IMS.SLDS
              STOP TIME=84123081233900000
```

If the SLDS record has more than one data set, then all the data sets to be selected and your output may look like this:

```
LATEST SLDS: DSN=IMS.IMSA.SLDSP.D97107.T1405235.V06
              STOP TIME=97107142046900000+0100
LATEST SLDS: DSN=IMS.IMSA.SLDSP.D97107.T1420469.V03
              STOP TIME=97107142057900000+0100
LATEST SLDS: DSN=IMS.IMSA.SLDSP.D97107.T1420579.V00
              STOP TIME=97107143008700000+0100
```

**Example 2:** The following select group generates a concatenated DD statement for all SLDSs for subsystem IMSA that have an open time greater than or equal to 840031903298.

```
%SELECT  SLDS(IMSA, FROM(840031903298))
%DELETE  (%SLDSDSN EQ ' ')
//SLDS   DD DSN=%SLDSDSN, DISP=OLD,
//        UNIT=%SLDUNIT,
//        VOL=SER=(%SLDVOLS),
//        LABEL=(1, SL)
%ENDDEL
%ENDSEL
```

The generated DD statements might be:

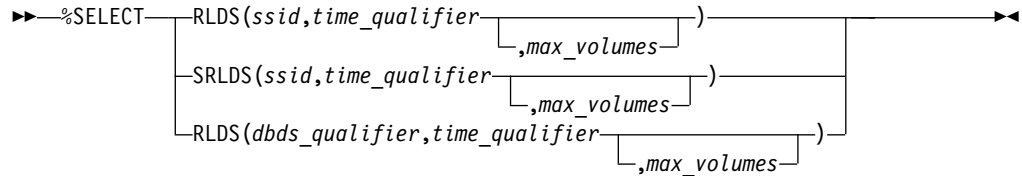
```
//SLDS   DD DSN=IMS.SLDS1, DISP=OLD,
//        UNIT=3400,
//        VOL=SER=(VOLUM1, VOLUM2, VOLUM3),
//        LABEL=(1, SL)
//        DD DSN=IMS.SLDS2, DISP=OLD,
//        UNIT=3400,
//        VOL=SER=(VOLUM4, VOLUM5, VOLUM6,
//        VOLUM7,
// VOLUM8, VOLUM9),
//        LABEL=(1, SL)                                     C
```

In this example, a JCL continuation card was generated. This is because the volume serial number list was longer than the output record.

The %DELETE statement prevents the JCL statement from being generated for an SLDS record that does not contain a DSN entry.

### Selecting RLDSs

The syntax of the %SELECT keyword to select RLDSs can be specified as follows:



Use SRLDS to request that secondary RLDS records be selected. Secondary RLDS records can be specifically requested only when you specify SSID. When you specify *dbds\_qualifier*, you are specifically requesting primary RLDS records. If the primary RLDS is marked in error, DBRC selects the associated secondary data set if one that is not also in error exists. If no associated data set exists or if it is also in error, DBRC selects the original record.

An RLDS record might not contain a DSN entry. In this case, the values for %LOGDSN, %LOGUNIT, and %LOGVOLS are null. By using the LASTDSET time qualifier, you can have the last PRILOG data set that contains data set entries returned.

#### *ssid*

The subsystem ID of the IMS online control region or an IMS batch region. PRILOG (or SECLOG) records corresponding to the specified SSID are selected to satisfy the specified search criteria. Because RECON records are selected, all data sets identified by the record are selected.

#### *time\_qualifier*

Specifies a time stamp or a range of time stamps.

DBRC selects RECON records by their record key. Many records contain a time stamp and the time that is contained in the record key is signified by an adjacent asterisk (\*) in a listing. The time qualifier that is specified in a FROMTIME or TOTIME parameter determines what records DBRC selects.

Some records such as PRILOG or PRISLD records consist of multiple DSN entries, each of which has a start time and stop time. DBRC cannot select specific DSN entries without first selecting the entire log record. The FROMTIME and TOTIME values must be specified such that the entire log record that contains desired DSN entries is selected based on the time stamp that is in the record key.

For example, if you specify a FROMTIME of 12:00, DSN entries with time stamps later than 12:00 (but that are included in a PRISLDS record with a start time of 11:00) would not be selected and displayed by DBRC, because the PRISLDS record itself has a time stamp earlier than the specified FROMTIME. You can specify a zero time value.

#### **FIRST**

Specifies that the oldest record is to be selected.

#### **LAST**

Specifies that the most recent record is to be selected.

**LASTDSET**

LASTDSET is similar to LAST, but this keyword ignores empty log records and returns the last SLDS that contains DSN entries. This keyword is valid only for RLDS or SLDS (including secondary). If LASTDSET is specified for any other record type, it will default to LAST.

**(FROM(*time*),TO(*time*)) or (FROM(*time*)) or FROM(*time*) or (TO(*time*)) or TO(*time*)**

Specifies that all records with time greater than or equal to the FROM time and less than or equal to the TO time are to be selected.

**ALL**

Specifies that all records are to be selected.

*dbds\_qualifier*

Specifies the DBDS with which the selected records are to be associated. The DBDS can be specified as dbname, ddname, or CA group name. When a CA group name is specified, all DBDSs in the CA group are used for selection. The DBDS qualifier is used when selecting:

- RLDSs
- Change accumulation data sets
- Image copy data sets
- ALLOC records
- DBDSs

When a *dbds\_qualifier* is specified, only RLDSs that contain log records corresponding to the specified DBDS are selected. (In other words, those RLDSs for which an ALLOC record exists in the RECON data set.) Only primary RLDSs can be selected when the *dbds\_qualifier* is specified.

*max\_volumes*

The maximum number of log volumes to be selected. If *max\_volumes* is specified, processing of the select group terminates when the specified number of log volumes is reached. If *max\_volumes* is specified and a log merge situation exists, more than the specified number of volumes can be selected. This is to ensure that a valid subset of logs is selected.

In the execution member records following the %SELECT keyword, you use symbolic keywords to specify the type of information to be gathered for each RLDS record that is selected. The types of information you can gather are:

**%LOGDSN**

The data set name of the RLDS.

**%LOGFSEQ**

The file sequence number of the RLDS.

**%LOGUNIT**

The unit type of the RLDS.

**%LOGVOLS**

The volume serial number of the RLDS.

**%LOGSTIM**

The start time of the RLDS. DBRC sets %LOGSTIM in the form yydddhhmsssthmi ju{offset}.

**%LOGETIM**

The stop time of the RLDS. DBRC sets %LOGETIM in the form yyddhhmmssthmi ju{offset}. If the data set is still open, the time is set to 000000000000+0000.

**%LOGSEL**

Set to YES if any log data sets were selected. Otherwise, set to NO.

**%LOGMERG**

Set to YES if a log merge is required. Otherwise, set to NO. %LOGMERG is always set to NO if SSID is specified.

**%LOGONL**

Set to YES if the RLDS is associated with an online region. Set to NO for batch logs.

**%LOGRMT**

Set to YES if the RLDS was created at the tracking site. Otherwise, set to NULL.

**%LOGFRID**

The log record sequence number of the first log record of the RLDS.

**%LOGLRID**

The log record sequence number of the last log record of the RLDS.

**%LOGOTIM**

The start time of the PRILOG/SECLOG. DBRC sets %LOGOTIM in the form yyddhhmmssthmi ju{offset}.

**Example:** The following select group generates a DD statement for the most-recent RLDS for subsystem BATCHJOB. This example assumes the RLDS is still open.

```
%SELECT  RLDS (BATCHJOB, LAST)
%DELETE  (%LOGETIM NE '0000000000000000+0000')
//LOGDD  DD  DSN=%LOGDSN, DISP=OLD,
//          UNIT=%LOGUNIT,
//          VOL=SER=(%LOGVOLS),
//          LABEL=(%LOGFSEQ, SL)
%ENDDEL
%ENDSEL
```

If no RLDS is recorded in the RECON data set for the subsystem or if the most-recent RLDS has been closed, no DD statement is generated. Otherwise, the generated DD statement might be:

```
//LOGDD  DD  DSN=IMS.RLDS, DISP=OLD,
//          UNIT=3400,
//          VOL=SER=(VOLUM1, VOLUM2)
//          LABEL=(1, SL)
```

**Selecting image copy data sets**

The syntax of the %SELECT keyword to select image copy data sets is:

►—%SELECT—IC(*dbds\_qualifier*, *time\_qualifier*)—►

***dbds\_qualifier***

Specifies the DBDS with which the selected records are to be associated. The DBDS can be specified as dbname, ddname, or CA group name. When a CA group name is specified, all DBDSs in the CA group are used for selection. The DBDS qualifier is used when selecting:

- RLDSs
- Change accumulation data sets
- Image copy data sets
- ALLOC records
- DBDSs

***time\_qualifier***

Specifies a time stamp or a range of time stamps.

DBRC selects RECON records by their record key. Many records contain a time stamp and the time that is contained in the record key is signified by an adjacent asterisk (\*) in a listing. The time qualifier that is specified in a FROMTIME or TOTIME parameter determines what records DBRC selects.

Some records such as PRILOG or PRISLD records consist of multiple DSN entries, each of which has a start time and stop time. DBRC cannot select specific DSN entries without first selecting the entire log record. The FROMTIME and TOTIME values must be specified such that the entire log record that contains the required DSN entries is selected based on the time stamp that is in the record key.

For example, if you specify a FROMTIME of 12:00, DSN entries with time stamps later than 12:00 (but that are included in a PRISLDS record with a start time of 11:00) would not be selected and displayed by DBRC, because the PRISLDS record itself has a time stamp earlier than the specified FROMTIME. You can specify a zero time value.

**FIRST**

Specifies that the oldest record is to be selected.

**LAST**

Specifies that the most recent record is to be selected.

**(FROM(*time*),TO(*time*)) or (FROM(*time*)) or FROM(*time*) or (TO(*time*)) or TO(*time*)**

Specifies that all records with time greater than or equal to the FROM time and less than or equal to the TO time are to be selected.

**ALL**

Specifies that all records are to be selected.

In the execution member records following the %SELECT keyword, you specify (using symbolic keywords) the type of information to be gathered for each image copy record that is selected. If the duplicate image copy is marked in error, the DBRC selects the primary image copy. The types of information you can gather are:

**%ICDSN** The data set name of the image copy data set.

**%ICTYPE**

The image copy's type: AVAIL, BATCH, ONLINE, CIC, SMSCIC, SMSNOCIC, SMSOFFLC, and SMSONLC.

**%ICFSEQ**

The file sequence number of the image copy data set if it is a NONHSSP type; otherwise, ICFSEQ is null.

**%ICSEL** Set to YES if any image copy data set was selected. Otherwise, ICSEL is set to NO.



**%ICSTOP**

The stop time of the image copy data set ID that is present; otherwise ICSTOP is null.

**%ICTIME**

The run time of the image copy. DBRC sets %ICTIME in the form yyddhhmmssthmi ju{offset}.

**%ICUNIT**

The unit type of the image copy data set if it is a NONHSSP type; otherwise, ICUNIT is null.

**%ICVCNT**

The number of volumes of the image copy data set if it is a NONHSSP type; otherwise, ICVCNT is null.

**%ICVOLS**

The volume serial number list of the image copy data set if it is a NONHSSP type; otherwise, ICVOLS is null.

**%ICUSID**

The update set identifier (USID).

**%ICCAT** Set to YES if the image copy is cataloged (HSSP CICs only). Otherwise, ICCAT is set to NO.

**%IC2SEL**

Set to YES if a duplicate image copy data set is associated with the selected image copy data set. Otherwise, IC2SEL is set to NO.

The following keywords are set only when a duplicate image copy data set exists; otherwise, they are null:

**%IC2DSN**

The data set name of the duplicate image copy data set.

**%IC2FSEQ**

The file sequence number of the duplicate image copy data set. If the IC was created by HSSP, IC2FSEQ is set to null.

**%IC2UNIT**

The unit type of the duplicate image copy data set. If the IC was created by HSSP, IC2UNIT is set to null.

**%IC2VCNT**

The number of volumes of the duplicate image copy data set. If the IC was created by HSSP, IC2VCNT is set to null.

**%IC2VOLS**

The volume serial number list of the duplicate image copy data set. If the IC was created by HSSP, IC2VOLS is set to null.

**Example:** The following select group generates a DD statement for the oldest image copy data set for the DBDS with a database name of SHISAMDB and a ddname of SHISAMDD.

```
%SELECT IC((SHISAMDB,SHISAMDD),FIRST)
//ICDD DD DSN=%ICDSN,DISP=OLD,
// VOL=SER=(%ICVOLS),
// UNIT=%ICUNIT,
// LABEL=(%ICFSEQ,SL)
%ENDSEL
```

The generated DD statement might be:

```
//ICDD DD DSN=SHISAMDB.SHISAMDD.IC,DISP=OLD,
//      VOL=SER=(VOLUM1),
//      UNIT=3400,
//      LABEL=(1,SL)
```

### Selecting change accumulation data sets

The syntax of the %SELECT keyword to select change accumulation data sets is:

►► %SELECT—CA(*dbds\_qualifier*,*time\_qualifier*)—————►►

#### ***dbds\_qualifier***

Specifies the DBDS with which the selected records are to be associated. The DBDS can be specified as dbname, ddname, or CA group name. When a CA group name is specified, all DBDSs in the CA group are used for selection. The DBDS qualifier is used when selecting:

- RLDSs
- Change accumulation data sets
- Image copy data sets
- ALLOC records
- DBDSs

#### ***time\_qualifier***

Specifies a time stamp or a range of time stamps.

DBRC selects RECON records by their record key. Many records contain a time stamp and the time that is contained in the record key is signified by an adjacent asterisk (\*) in a listing. The time qualifier that is specified in a FROMTIME or TOTIME parameter determines what records DBRC selects.

Some records such as PRILOG or PRISLD records consist of multiple DSN entries, each of which has a start time and stop time. DBRC cannot select specific DSN entries without first selecting the entire log record. The FROMTIME and TOTIME values must be specified such that the entire log record that contains the required DSN entries is selected based on the time stamp that is in the record key.

For example, if you specify a FROMTIME of 12:00, DSN entries with time stamps later than 12:00 (but that are included in a PRISLDS record with a start time of 11:00) would not be selected and displayed by DBRC, because the PRISLDS record itself has a time stamp earlier than the specified FROMTIME. You can specify a zero time value.

#### **FIRST**

Specifies that the oldest record is to be selected.

#### **LAST**

Specifies that the most recent record is to be selected.

#### **(FROM(*time*),TO(*time*)) or (FROM(*time*)) or FROM(*time*) or (TO(*time*)) or TO(*time*)**

Specifies that all records with time greater than or equal to the FROM time and less than or equal to the TO time are to be selected.

#### **ALL**

Specifies that all records are to be selected.

In the execution member records following the %SELECT keyword, you use symbolic keywords to specify the type of information to be gathered for each change accumulation record that is selected. The types of information you can gather are:

**%CADSN** The change accumulation data set name.

**%CAFSEQ**

The file sequence number of the change accumulation data set.

**%CAUNIT**

The unit type of the change accumulation data set.

**%CAVCNT**

The number of volumes of the change accumulation data set.

**%CAVOLS**

The volume serial number list of the change accumulation data set.

**%CALGTM**

The volume stop time of the last log volume that was used as input to the change accumulation data set. DBRC sets %CALGTM in the form yyddhhmsssthmiju{offset}.

**%CATIME**

The change accumulation data set time in the form yyddhhmsssthmiju{offset}.

**%CASEL** Set to YES if any change accumulation data sets are selected. Otherwise, set to NO.

**Example:** The following select group lists all change accumulation data sets created since time 0723100000000000+0000 for CA group CAGRP1.

```
%SELECT  CA((CAGRP1),FROM(0723100000000000+0000))
          DSNNAME=%CADSN
          VOLUMES=%CAVOLS
          RUNTIME=%CATIME
          LOGTIME=%CALGTM
%ENDSEL
```

The generated output might be:

```
DSNAME=CAGRP1.DSN1
  VOLUMES=VOLUM1,VOLUM2,VOLUM3,
  VOLUM4,
// VOLUM5,VOLUM6
  RUNTIME=07231061823000000
  LOGTIME=07230231555700000
DSNAME=CAGRP1.DSN2
  VOLUMES=VOLUM1,VOLUM2
  RUNTIME=07236182444300000
  LOGTIME=07236093451900000
```

In this example, the volume serial number list for the first data set does not fit on the output record. Therefore, a JCL continuation statement is generated (even though JCL is not being generated).

### Selecting DBDS allocation records

The syntax of the %SELECT keyword to select ALLOC records can be one of the following:

►►—%SELECT—ALLOC(*dbds\_qualifier,time\_qualifier*)—◄◄

►►—%SELECT—ALLOC(PRILOG,*time\_qualifier*)—◄◄

#### *dbds\_qualifier*

Specifies the DBDS with which the selected records are to be associated. The DBDS can be specified as *dbname*, *ddname*, or CA group name. When a CA group name is specified, all DBDSs in the CA group are used for selection. The DBDS qualifier is used when selecting:

- RLDSs
- Change accumulation data sets
- Image copy data sets
- ALLOC records
- DBDSs

When a *dbds\_qualifier* is specified, ALLOC records corresponding to the specified DBDSs are selected.

#### *time\_qualifier*

Specifies a time stamp or a range of time stamps.

DBRC selects RECON records by their record key. Many records contain a time stamp and the time that is contained in the record key is signified by an adjacent asterisk (\*) in a listing. The time qualifier that is specified in a FROMTIME or TOTIME parameter determines what records DBRC selects.

Some records such as PRILOG or PRISLD records consist of multiple DSN entries, each of which has a start time and stop time. DBRC cannot select specific DSN entries without first selecting the entire log record. The FROMTIME and TOTIME values must be specified such that the entire log record that contains the required DSN entries is selected based on the time stamp that is in the record key.

For example, if you specify a FROMTIME of 12:00, DSN entries with time stamps later than 12:00 (but that are included in a PRISLDS record with a start time of 11:00) would not be selected and displayed by DBRC, because the PRISLDS record itself has a time stamp earlier than the specified FROMTIME. You can specify a zero time value.

#### **FIRST**

Specifies that the oldest record is to be selected.

#### **LAST**

Specifies that the most recent record is to be selected.

#### **(FROM(*time*),TO(*time*)) or (FROM(*time*)) or FROM(*time*) or (TO(*time*)) or TO(*time*)**

Specifies that all records with time greater than or equal to the FROM time and less than or equal to the TO time are to be selected.

#### **ALL**

Specifies that all records are to be selected.

All ALLOC records for the specified DBDS with allocation times within the bounds of the specified *time\_qualifier* are selected. When PRILOG is specified, all ALLOC records corresponding to PRILOG records within the specified time bounds are selected.

In the execution member records following the %SELECT keyword, you use symbolic keywords to specify the type of information to be gathered for each ALLOC record that is selected. The types of information you can gather are:

**%DBNAME**

The database name.

**%DBDDN** The database ddname or area name.

**%ALLTIME**

The allocation time stamp in the form yydddhhmsssthmi ju{offset}.

**%DALTIME**

The deallocation time stamp in the form yydddhhmsssthmi ju{offset}. Set to 000000000000+0000 if there is no deallocation time stamp.

**%ALLDSSN**

The data set sequence number.

**%PLGTIME**

The start time of the corresponding PRILOG record.

**%ALLSEL**

Set to YES if any ALLOC records are selected. Otherwise, ALLSEL is set to NO.

**%ALLUSID**

The update set identifier (USID)

**%DBTYPE**

The type of database that the selected ALLOC record is associated with. The %DBTYPE value can be one of the following:

**FP** Area of a Fast Path database

**DLI** Non-HALDB

**PDATA**

Data DBDS of a HALDB

**Example:** The following select group generates a list of information about all ALLOC records for the DBDS with a database name of SHISAMDB and ddname of SHISAMDD:

```
%SELECT ALLOC((SHISAMDB,SHISAMDD),ALL)
          DBNAME      %DBNAME
          DDNAME      %DBDDN
          ALLOC time   %ALLTIME
          DEALL time   %DALTIME
          PRILOG time  %PLGTIME
```

The generated output might be:

```
          DBNAME      SHISAM
          DDNAME      SHISAM
          ALLOC TIME   832560800000000000+0000
          DEALL TIME   000000000000000000+0000
          PRILOG TIME  832560630000000000+0000
```

**Selecting DBDS records**

The syntax of the %SELECT keyword to select DBDS records is:

►►—%SELECT—DBDS(*dbds\_qualifier*)—◄◄

***dbds\_qualifier***

Specifies the DBDS with which the selected records are to be associated. The DBDS can be specified as dbname, ddname, or CA group name. When a CA group name is specified, all DBDSs in the CA group are used for selection. The DBDS qualifier is used when selecting:

- RLDSs
- Change accumulation data sets
- Image copy data sets
- ALLOC records
- DBDSs

For DEDBs, the select group is processed once for each defined area data set (ADS) for each specified area. For other types of databases, the select group is processed once for each specified DBDS.

In the execution member records following the %SELECT keyword, you use symbolic keywords to specify the type of information to be gathered for each DBDS record that is selected. The types of information you can gather are:

**%DBNAME**

The database name.

**%DBDDN** The DBDS ddname or DEDB area name.

**%DBTYPE**

Set to FP when the selected DBDS is an area of a Fast Path database. Set to DLI for DBDSs of non-HALDB databases. Set to PDATA for data DBDSs of HALDB databases. Set to PINDEX for primary index DBDSs of HALDB databases. Set to PILDS for ILDS DBDSs of HALDB databases.

**%DBDSN** The data set name of the DBDS or ADS.

**%DBADDN**

For DEDBs, the ddname of the ADS. For other types of databases, DBADDN is set to null.

**%DBADSAV**

For DEDBs, set to AVAIL if the ADS is indicated as available in the RECON data set. Set to UNAVAIL if the ADS is unavailable. For other types of databases, DBADSAV is set to null.

**%DBDSSEL**

Set to YES if any DBDS records are selected. Otherwise, DBDSSEL is set to NO.

**%DBUSID**

For DEDBs, the update set identifier (USID) of the area. For other types of databases, DBUSID is set to NULL.

**%DBDSNRV**

Set to YES if the DBDS is nonrecoverable. Otherwise, DBDSNRV is set to NO.

**Example:** The following select group generates a series of DD statements for available area data sets for the area named DBHVSAM1. This area is in the DEDB named DIVNTZ04.

```
%SELECT      DBDS((DIVNTZ04,DBHVSAM1))
%DELETE      (%DBADSAV ne 'AVAIL')
//%DBADDN    DD  DSN=%DBDSN,DISP=OLD
%ENDDDEL
%ENDSEL
```

The generated output might be:

```
//FP1ADD1 DD  DSN=IMS.FP1ADD1,DISP=OLD
//FP1ADD2 DD  DSN=IMS.FP1ADD2,DISP=OLD
```

## Writing skeletal JCL default members

Skeletal JCL default members are used to set default values for keywords you have defined in the skeletal JCL execution members. The use of default members is optional. You must supply any default members to be used.

Default members can have two types of records: assignment records or comment records. Assignment records assign default values to user-defined keywords. Assignment records must contain a percent sign (%) in column 1. If a record does not contain a percent sign in column 1, it is a comment record, which DBRC ignores.

▶—%user defined keyword='value'—————▶

The value assigned to the keyword can be any text string, including the null string (' '). If the value contains a single quotation mark, you must use two single quotation marks. The entire value must be contained on one record. Any data following the closing single quotation mark is ignored. A closing single quotation mark is required. If a closing single quotation mark is missing, an error message is generated and the GENJCL command fails.

**Example:** A default member contains these records:

```
%DEDBNAM = 'DIVNTZ04'  
%AREANAM = 'DBHVSAM1'
```

A skeletal JCL member contains:

```
DATABASE NAME = %DEDBNAM  
AREA NAME = %AREANAM
```

Using the DEFAULTS parameter and assuming the values are not overridden, the GENJCL command generates the following:

```
DATABASE NAME = DIVNTZ04  
AREA NAME = DBHVSAM1
```

## Specifying default members

You can specify default members either explicitly or implicitly.

Members are explicitly specified using the DEFAULTS parameter on the GENJCL command. Up to 10 default members can be specified.

Implicit specification can be used for the GENJCL commands that apply to a DBDS (GENJCL.IC, GENJCL.OIC, and GENJCL.RECOV) or CA group (GENJCL.CA). In addition, implicit specification can be used on the GENJCL.USER command. The default members to be implicitly used are specified using the DEFLTJCL parameter on the INIT.DBDS, CHANGE.DBDS, INIT.CAGRP, and CHANGE.CAGRP commands. Only one default member is allowed per DBDS or CA group.

The use of an implicit default member can be overridden with the NODEFLT parameter on the GENJCL command. When both explicitly and implicitly specified default members are used, explicitly specified members have precedence. That is, if a keyword is assigned a value in both members, the value assigned by the explicitly specified member is used.

If a keyword is assigned a value both in a default member and in the USERKEYS parameter of the GENJCL command, the latter value is used. USERKEYS parameter values override default member values.

## Using user-supplied or modified skeletal JCL

Before using your skeletal JCL execution or default members, you must do the following:

- Add the JCLPDS and JCLOUT ddnames to the JCL required to run DBRC. JCLPDS identifies the partitioned data set containing the skeletal JCL execution members. JCLOUT identifies the data set to which the generated job is to be written. Output is in card image format. The output data set can be a punch file, a DASD data set that you plan to examine before submitting the job for execution, or directly to the z/OS internal reader.
- Add to the skeletal JCL execution member any STEPLIB ddnames and job accounting information that your installation requires. If the DD statements contain comments or continuation characters, they are ignored when the JCL is generated. Except for the skeletal JCL member for the JOB statement, do not add to your skeletal JCL any JOBLIB and JES control statements; doing so causes errors if multiple steps are generated.

### Related reference:

“DBRC time stamps” on page 52

## Symbolic keywords recognized by DBRC

DBRC recognizes symbolic keywords in the IBM-supplied skeletal JCL execution members.

These topics describe the symbolic keywords that are recognized by the recovery-related utilities.

- “Symbolic keywords recognized by all utilities”
- “Symbolic keywords recognized by the Log Archive utility (ARCHJCL)” on page 269
- “Symbolic keywords recognized by the Database Change Accumulation utility (CAJCL)” on page 270
- “Symbolic keywords recognized by the Log Recovery utility (LOGCLJCL)” on page 271
- “Symbolic keywords recognized by the Database Image Copy utilities” on page 272
- “Symbolic keywords recognized by the Database Recovery utility - receive (ICRCVJCL)” on page 274
- “Symbolic keywords recognized by the Database Recovery utility - recovery (RECOVJCL)” on page 276

## Symbolic keywords recognized by all utilities

The following table explains the symbolic keywords recognized by all the supported utilities.

Table 7. Symbolic keywords for all supported utilities

Keyword	Description
%RCNDSN1	Name of the RECON1 data set if RECON data sets are allocated by JCL. Set to null if RECON data sets are dynamically allocated.



Table 7. Symbolic keywords for all supported utilities (continued)

Keyword	Description
%RCNDSN2	Name of the RECON2 data set if RECON data sets are allocated by JCL. Set to null if RECON data sets are dynamically allocated.
%RCNDSN3	Name of the RECON3 data set if RECON data sets are allocated by JCL. Set to null if RECON data sets are dynamically allocated.
%STPNO	<p>The current step number. The step number is set to 0 if the JOB parameter was specified on the GENJCL command. The step number is increased by 1 when DBRC first encounters it in a skeletal JCL execution member. The step number remains at that value while the execution member is processed. As the keyword is encountered in the remaining skeletal JCL, the current value is substituted.</p> <p>The JCL execution member can be processed again because of a multi-step generation, or because the subsequent GENJCL command specifies NOJOB. When it is processed again the step number is increased by 1 from its current value when the keyword is first encountered in the next skeletal JCL execution member. This increase takes place before the keyword value is substituted.</p>
%TIME	The time of day, in the form hhmmss.
%GRPINDEX	<p>The DBDS group member index. This keyword is set only when a DBDS group is specified, implicitly or explicitly, on the GENJCL command. (A DBDS group can be specified on the GENJCL.IC, GENJCL.OIC, GENJCL.RECOV, and GENJCL.USER commands.)</p> <p>When you specify a DBDS group, the keyword is initialized to 1. It is then increased by 1 as each successive group member is processed.</p>
%CNTR	<p>A counter controlled by DBRC. The counter is set to 0 whenever the first GENJCL command is issued or a JOB statement is reproduced from the skeletal JCL execution member JOBJCL. DBRC increases the counter by 1 each time the keyword is encountered in a skeletal JCL execution member.</p> <p>The JCL execution member can be processed again because of a multi-step generation, or because the subsequent GENJCL command specifies NOJOB. If so, the counter continues to increase from its current value when the keyword is encountered in next skeletal JCL execution member. This increase takes place before the keyword value is substituted.</p>
%DATE	The day of the year, in the form yyddd.
%DATE7	The day of the year, in the form yyyyddd.
%IMSPLEX	The IMSplex name set in the RECON data sets. Set to NULL if DBRC does not register with SCI.
%DBRCGRP	The DBRC group set in the RECON data sets. Set to NULL if DBRC does not register with SCI.

### Symbolic keywords recognized by the Log Archive utility (ARCHJCL)

The Log Archive utility recognizes the following symbolic keywords.

Table 8. Symbolic keywords for Log Archive utility

Keyword	Description
%SSID	The subsystem ID, which is set from the SSID parameter on the GENJCL.ARCHIVE command. If the SSID parameter is not specified, the default subsystem ID is used. The default subsystem ID is set by you in the INIT.RECON or CHANGE.RECON command. If no default subsystem ID was specified, the command fails.
%DDNAMES	The ddnames of the OLDSs that are to be archived. If ALL is specified or used as the default on the GENJCL.ARCHIVE command, the ddnames of all unarchived OLDSs are determined from the RECON data set. Otherwise, the ddnames specified on the command are used.

Table 8. Symbolic keywords for Log Archive utility (continued)

Keyword	Description
%OLDSDDN	The ddname of one or more specific OLDS.
%OLDSDSN	The data set name of the one or more OLDS.
%ARDATE	The date (from the open time stamp) of the first OLDS that is to be archived. The date is in the form yyddd where: yy is the year ddd is the day
%ARDATE7	The date (from the open time stamp) of the first OLDS that is to be archived. The date is in the form yyyyddd where: yyyy is the 4-digit year ddd is the Julian day
%ARTIME	The time (from the open time stamp) of the first OLDS that is to be archived. The time is in the form hhmmssst where: hh is the hour mm is the minute ss is the second t is the tenth of a second
%ARVERS	The archive version number of the first OLDS to be archived.
%ARCSLDS	Set to YES when the SLDS parameter is specified.

### Symbolic keywords recognized by the Database Change Accumulation utility (CAJCL)

The Database Change Accumulation utility recognizes the following symbolic keywords.

Table 9. Symbolic keywords for Database Change Accumulation utility

Keyword	Description
%CAGRP	The CA group name.
%DSL LGTM	The start time for selecting input log data. If an input change accumulation data set is used, %DSL LGTM is set to the volume stop time of the last-accumulated log volume.
%CAODSN	The data set name of the input change accumulation data set. This keyword is set to null if no existing change accumulation data set is defined in the RECON data set for the CA group.
%CAOUNIT	The unit type of the input change accumulation data set. This keyword is set to null if no existing change accumulation data set is defined in the RECON data set for the CA group.
%CAOVOLS	The volume serial number list of the input change accumulation data set. This keyword is set to null if there is no existing change accumulation data set is defined in the RECON data set for the CA group.
%CAOFSEQ	The file sequence number of the input change accumulation data set. This keyword is set to null if no existing change accumulation data set is defined in the RECON data set for the CA group.
%CANDSN	The data set name of the output change accumulation data set. If REUSE is specified for the CA group, the keyword is set from information in the RECON data set. If NOREUSE is specified, DBRC generates a data set name. The generated name is: IMSVS.cagrpname.CA.CAhhmmss

where *cagrpname* is the CA group name, and *hhmmss* is the current time of day.

Table 9. Symbolic keywords for Database Change Accumulation utility (continued)

Keyword	Description
%CANUNIT	The unit type of the output change accumulation data set. If REUSE is specified for the CA group, the keyword is set from information in the RECON data set. If NOREUSE is specified, this keyword is set from the UNIT parameter on the GENJCL.CA command. If UNIT is not specified, the keyword is set to 3400.
%CANVCNT	The number of volumes in the output change accumulation data set. If REUSE is specified for the CA group, the keyword is set from information in the RECON data set. If NOREUSE is specified, this keyword is set from the VOLLIST parameter on the GENJCL.CA command.
%CANVOLS	The volume serial number list of the output change accumulation data set. If REUSE is specified for the CA group, the keyword is set from information in the RECON data set. If NOREUSE is specified, this keyword is set from the VOLLIST parameter on the GENJCL.CA command.
%CABFSEQ	The file sequence number of the output change accumulation data set. If REUSE is specified for the CA group, the keyword is set from information in the RECON data set. If NOREUSE is specified, this keyword is set to 1.
%LOGDSN	The data set name of the log data set.
%LOGUNIT	The unit type of the log data set.
%LOGVSEQ	The volume sequence number of the log data set.
%LOGVOLS	The volume serial numbers of the log data set.
%LOGFSEQ	The file sequence number of the log data set.
%LOGSEL	Set to YES if any log data sets were selected. Otherwise, set to NO.
%CADB0	This keyword generates the DB0 control statements for the Database Change Accumulation utility. <b>Note:</b> %CADB0 always generates DB0 control statements with the time stamps in UTC format (indicated by an offset of zeroes).

### Symbolic keywords recognized by the Log Recovery utility (LOGCLJCL)

The Log Recovery utility recognizes the following symbolic keywords.

Table 10. Symbolic keywords for Log Recovery utility

Keyword	Description
%SSID	The subsystem ID, which is set from the SSID parameter on the GENJCL.CLOSE command. If the SSID parameter is not specified, the default subsystem ID is used. The default subsystem ID is set by you in the INIT.RECON or CHANGE.RECON command. If no default subsystem ID is specified, the command fails.
%CDDNAME	The ddname of the OLDS to be closed. This keyword is set from the OLDS parameter on the GENJCL.CLOSE command. If GENJCL.CLOSE did not specify an OLDS, the most recent open OLDS for the specified subsystem is used.
%OLDSTYP	The type of OLDS, primary or secondary (set to P or S, respectively).
%OLDSDSN	The data set name of the OLDS.
%WADS	If the OLDS to be closed is currently open, this keyword is set to YES. Otherwise, this keyword is set to NO.
%NDDNAME	The ddname of the 'next OLDS' to be used to close the OLDS. If %WADS is set to NO, this keyword is set to the ddname of the OLDS used immediately after the OLDS being closed. If %WADS is set to YES, this keyword is set to null.
%PDDNAME	The ddname of the immediately prior OLDS to be used to close the OLDS by providing a last block sequence number for base point information.

## Symbolic keywords recognized by the Database Image Copy utilities

The Database Image Copy utilities recognize the following symbolic keywords.

Table 11. Symbolic keywords for Database Image Copy utilities

Keyword	Description																
%PSB	The PSB name, which is set from the PSB parameter on the GENJCL command. This keyword is applicable only for the Database Online Image Copy utility.																
%DBNAME	The database name, which is set from the DBD parameter on the GENJCL command.																
%DBDDN	The DBDS ddname, which is set from the DDN parameter on the GENJCL command.																
%DBDSN	The DBDS data set name, which is set from the DBDS record in the RECON data set.																
%DBDSAM	This keyword is set to VSAM for VSAM DBDS. Otherwise, it is set to null.																
%DBADDN	For DEDBs, the ddname of the ADS. Otherwise, set to null. This keyword is applicable only for the Database Image Copy utility.																
%BADSAV	For DEDBs, set to AVAIL if RECON indicates that the ADS is available, or UNAVAIL if the ADS is unavailable. For other types of databases, this keyword is set to null. This keyword is applicable only for the Database Image Copy utility.																
%COPIES	The number of image copy data sets to be produced. This keyword is set to 1 or 2 from the COPIES parameter on the GENJCL command.																
%MDBNAME	The HALDB master name, if this is a DBDS of a HALDB partition. This keyword is set to NULL for non-HALDB databases.																
%SMS	Indicates whether a Database Image Copy 2 (DFSUMDT0) image copy data set is being used for the requested utility execution. If used, the keyword is set to 1; otherwise, the keyword is set to 0.																
%ICDDN1, %ICDDN2, %ICDDN3, %ICDDN4	The DD name of the first image copy data set. If multiple image copy data sets are produced, %ICDDN2, %ICDDN3, and %ICDDN4 are similarly set.																
%ICSYSIN	The Database Image Copy utility control statement. Columns in the statement are set as follows: <table border="1" data-bbox="420 1197 1364 1604"> <thead> <tr> <th>Column</th> <th>Setting</th> </tr> </thead> <tbody> <tr> <td>1</td> <td>D</td> </tr> <tr> <td>2</td> <td>Number of image copy data sets to be produced (either 1 or 2)</td> </tr> <tr> <td>4-11</td> <td>Database name</td> </tr> <tr> <td>13-20</td> <td>ddname of the DBDS</td> </tr> <tr> <td>22-30</td> <td>ddname of the primary image copy data set</td> </tr> <tr> <td>31-38</td> <td>ddname of the duplicate image copy data set, if one is produced.</td> </tr> <tr> <td>40-43</td> <td>Checkpoint interval (applicable only for Online Database Image Copy utility). All other columns are set to blanks.</td> </tr> </tbody> </table>	Column	Setting	1	D	2	Number of image copy data sets to be produced (either 1 or 2)	4-11	Database name	13-20	ddname of the DBDS	22-30	ddname of the primary image copy data set	31-38	ddname of the duplicate image copy data set, if one is produced.	40-43	Checkpoint interval (applicable only for Online Database Image Copy utility). All other columns are set to blanks.
Column	Setting																
1	D																
2	Number of image copy data sets to be produced (either 1 or 2)																
4-11	Database name																
13-20	ddname of the DBDS																
22-30	ddname of the primary image copy data set																
31-38	ddname of the duplicate image copy data set, if one is produced.																
40-43	Checkpoint interval (applicable only for Online Database Image Copy utility). All other columns are set to blanks.																

Table 11. Symbolic keywords for Database Image Copy utilities (continued)

Keyword	Description												
%ICDSN1, %ICDSN2, %ICDSN3, %ICDSN4	<p>The data set name of the image copy data set is %ICDSN1.</p> <p>If NOREUSE is specified for the DBDS, DBRC generates the following data set name: IMSVS.dbname.ddname.IC.IChmmss</p> <p>where:</p> <ul style="list-style-type: none"> <li>• <i>dbname</i> is the database name of the DBDS</li> <li>• <i>ddname</i> is the ddname of the DBDS</li> <li>• <i>hmmss</i> is the current time of day</li> </ul> <p>If Sameds is specified for a group of DBDSs, DBRC generates the following data set name: IMSVS.GROUP.grpname.IC.IChmmss</p> <p>where :</p> <ul style="list-style-type: none"> <li>• <i>grpname</i> is the name specified in the GROUP or DBD parameter</li> <li>• <i>hmmss</i> is the current time of day</li> </ul> <p>If multiple image copy data sets are to be produced, %ICDSN3, or %ICDSN4 are set similarly.</p>												
%ICUNIT1, %ICUNIT2, %ICUNIT3, %ICUNIT4	<p>The unit type of the image copy data set. If NOREUSE is specified for the DBDS, %ICUNIT1 is set from the UNIT parameter on the command. If multiple image copy data sets are to be produced, %ICUNIT2, %ICUNIT3, or %ICUNIT4 are set similarly.</p>												
%ICFSEQ1, %ICFSEQ2, %ICFSEQ3, %ICFSEQ4	<p>The file sequence number of the image copy data set. If NOREUSE is specified for the DBDS, %ICFSEQ1 is set to 1. If multiple image copy data sets are to be produced, %ICFSEQ2, %ICFSEQ3, or %ICFSEQ4 are set similarly.</p>												
%ICVOLS1, %ICVOLS2, %ICVOLS3, %ICVOLS4	<p>The volume serial number of the image copy data set. If NOREUSE is specified for the DBDS, %ICVOLS1 is set from the VOLLIST parameter on the command. If multiple image copy data sets are to be produced, %ICVOLS2, %ICVOLS3, or %ICVOLS4 are set similarly.</p>												
%ICVCNT1, %ICVCNT2, %ICVCNT3, %ICVCNT4	<p>The number of volumes of the image copy data set. If NOREUSE is specified for the DBDS, %ICVCNT1 is set to the number of volumes specified on the VOLLIST parameter on the command. If multiple image copy data sets are to be produced, %ICVCNT2, %ICVCNT3, or %ICVCNT4 is set similarly.</p>												
%SMSGRP	<p>A numeric value indicating the status of group processing:</p> <table border="1"> <thead> <tr> <th>Column</th> <th>Setting</th> </tr> </thead> <tbody> <tr> <td>0</td> <td>One job step is being generated for each DBDS one or the other or both area.  Otherwise a single job is being generated to copy multiple DBDSs one or the other or both areas (Image Copy 2, GROUP or DB without DDN, and ONEJOB were specified). This means that the skeletal JCL member will be processed more than once per job step generated.</td> </tr> <tr> <td>1</td> <td>Processing the only member of the group</td> </tr> <tr> <td>2</td> <td>Processing the first of multiple members</td> </tr> <tr> <td>3</td> <td>Processing an intermediate member</td> </tr> <tr> <td>4</td> <td>Processing the last member</td> </tr> </tbody> </table>	Column	Setting	0	One job step is being generated for each DBDS one or the other or both area.  Otherwise a single job is being generated to copy multiple DBDSs one or the other or both areas (Image Copy 2, GROUP or DB without DDN, and ONEJOB were specified). This means that the skeletal JCL member will be processed more than once per job step generated.	1	Processing the only member of the group	2	Processing the first of multiple members	3	Processing an intermediate member	4	Processing the last member
Column	Setting												
0	One job step is being generated for each DBDS one or the other or both area.  Otherwise a single job is being generated to copy multiple DBDSs one or the other or both areas (Image Copy 2, GROUP or DB without DDN, and ONEJOB were specified). This means that the skeletal JCL member will be processed more than once per job step generated.												
1	Processing the only member of the group												
2	Processing the first of multiple members												
3	Processing an intermediate member												
4	Processing the last member												
%SMS1DS	<p>A numeric value indicating whether Sameds was specified:</p> <table border="1"> <thead> <tr> <th>Column</th> <th>Setting</th> </tr> </thead> <tbody> <tr> <td>0</td> <td>Sameds was not specified</td> </tr> <tr> <td>1</td> <td>Sameds was specified</td> </tr> </tbody> </table>	Column	Setting	0	Sameds was not specified	1	Sameds was specified						
Column	Setting												
0	Sameds was not specified												
1	Sameds was specified												

Table 11. Symbolic keywords for Database Image Copy utilities (continued)

Keyword	Description
%GROUP	A character value containing the value of the GROUP parameter, or the value of the DBD parameter if DDn was omitted (an <i>implied group</i> )--otherwise null.
%ICRTYPE	The image copy type being requested by GENJCL.IC or GENJCL.OIC. Valid values are BATCH, ONLINE, CIC, SMSCIC, SMSNOCIC, SMSOFF, SMSOFFLC, and SMSONLC.

### Symbolic keywords recognized by the Database Recovery utility - receive (ICRCVJCL)

The Database Recovery utility - receive recognizes the following symbolic keywords.

Table 12. Symbolic keywords for Database Recovery utility - receive (ICRCVJCL)

Keyword	Description
%DBNAME	The database name of the DBDS to be covered. %DBNAME is set from the DBD parameter on the GENJCL.RECEIVE command.
%DBDDN	The ddname of the DBDS, %DBDDN is set from the DDN parameter on the GENJCL.RECEIVE command.
%DBDSN	The data set name of the DBDS, %DBDSN is set from the DBDS record in the RECON data set.
%DBDSAM	Set to VSAM for a VSAM DBDS. Otherwise, set to null.
%DBUSID	The update set identifier for the DBDS.
%ALLUSID	The update set identifier of the most-recent ALLOC record for the DBDS.
%MDBNAME	The HALDB master name, if this is a DBDS of a HALDB partition. This keyword is set to NULL for non-HALDB databases.
%DSL LGTM	The start time for selecting input log data. If an input change accumulation data set is used, %DSL LGTM is set to the volume stop time of the last-accumulated log volume. Otherwise, the keyword value is set to image copy time.
%ICDSN	The data set name of the image copy data set. Set to null if the USEDBDS parameter is specified on the GENJCL.RECEIVE command. Otherwise, set from the image copy record for the DBDS.
%ICUNIT	The unit type of the image copy data set. Set to null if the USEDBDS parameter is specified on the GENJCL.RECEIVE command. Otherwise, set from the image copy record for the DBDS.
%ICVOLS	The volume serial number list of the image copy data set. Set to null if the USEDBDS parameter is specified on the GENJCL.RECEIVE command. Otherwise set from the image copy record for the DBDS.
%ICFSEQ	The file sequence number of the image copy data set. Set to null if the USEDBDS parameter is specified on the GENJCL.RECEIVE command. Otherwise, set from the image copy record for the DBDS.
%ICUSID	The update set identifier for the image copy.
%CADSN	The data set name of the change accumulation data set. Set to null if no change accumulation is available for the DBDS. Otherwise, set from the change accumulation record.
%CAUNIT	The unit type of the change accumulation data set. Set to null if no change accumulation is available for the DBDS. Otherwise, set from the change accumulation record.
%CAVOLS	The volume serial number list of the change accumulation data set. Set to null if no change accumulation is available for the DBDS. Otherwise, set from the change accumulation record.
%CAFSEQ	The file sequence number of the change accumulation data set. Set to null if no change accumulation is available for the DBDS. Otherwise, set from the change accumulation record.

Table 12. Symbolic keywords for Database Recovery utility - receive (ICRCVJCL) (continued)

Keyword	Description														
%OLDFLRID	The log record sequence number (log record ID) of the first log record in the OLDS.														
%OLDLLRID	The log record sequence number (log record ID) of the last log record in the OLDS. If the OLDS has not been closed, %OLDLLRID is set to null.														
%SLDFLRID	The log record sequence number (log record ID) of the first log record in the SLDS.														
%SLDFSEQ	The file sequence number of the SLDS.														
%SLDLLRID	The log record sequence number (log record ID) of the last log record in the SLDS. If the SLDS has not been closed, %SLDLLRID is set to null.														
%SLDREMOT	Set to YES if the SLDS data was created by an active IMS subsystem at a tracking site. That is, the SLDS was received and written locally by the log router. %SLDREMOT is set to null if the SLDS was created locally by an active IMS subsystem.														
%SLDUNIT	Set to null if the SLDS data was created by an active IMS subsystem at a tracking site. SLDSs received from an active site are always cataloged.														
%SLDVOLS	Set to null if the SLDS data was created by an active IMS subsystem at a tracking site. SLDSs received from an active site are always cataloged.														
%LOGDSN	The data set name of the log data set.														
%LOGUNIT	The unit type of the log data set. Set to null if the RLDS data was created by an active IMS subsystem at a tracking site. RLDSs received from an active site are always cataloged.														
%LOGVSEQ	The volume sequence number of the log data set.														
%LOGVOLS	The volume serial numbers of the log data set. Set to null if the RLDS data was created by an active IMS subsystem at a tracking site. RLDSs received from an active site are always cataloged.														
%LOGFSEQ	The file sequence number of the log data set.														
%LOGSEL	Set to YES if any log data sets are selected by the select group; in this case, the delete group following the select group is deleted. Otherwise, the %LOGSEL keyword is set to NO, and a DD DUMMY statement is generated.														
%LOGFLRID	The log record sequence number (log record ID) of the first log record in the RLDS.														
%LOGLLRID	The log record sequence number (log record ID) of the last log record in the RLDS. If the RLDS has not been closed, %LOGLLRID is set to null.														
%LOGREMOT	Set to YES if the RLDS data was created by an active IMS subsystem at a tracking site. That is, the RLDS was received and written locally by the log router. %LOGREMOT is set to null if the RLDS was created locally by an active IMS subsystem.														
%RVSYSIN	The Database Recovery utility control statement. Columns in the statement are set as follows:  <table border="0"> <thead> <tr> <th>Column</th> <th>Setting</th> </tr> </thead> <tbody> <tr> <td>1</td> <td>S</td> </tr> <tr> <td>4-11</td> <td>Database name</td> </tr> <tr> <td>13-20</td> <td>Data set or area ddname</td> </tr> <tr> <td>22-29</td> <td>DFSUDUMP</td> </tr> <tr> <td>63</td> <td>V, to indicate this is a RECEIVE</td> </tr> <tr> <td colspan="2">All other columns are set to blanks.</td> </tr> </tbody> </table>	Column	Setting	1	S	4-11	Database name	13-20	Data set or area ddname	22-29	DFSUDUMP	63	V, to indicate this is a RECEIVE	All other columns are set to blanks.	
Column	Setting														
1	S														
4-11	Database name														
13-20	Data set or area ddname														
22-29	DFSUDUMP														
63	V, to indicate this is a RECEIVE														
All other columns are set to blanks.															

## Symbolic keywords recognized by the Database Recovery utility - recovery (RECOVJCL)

The Database Recovery utility - recovery recognizes the following symbolic keywords.

Table 13. Symbolic keywords for Database Recovery utility - recovery (RECOVJCL)

Keyword	Description
%DBNAME	The database name of the DBDS to be recovered. %DBNAME is set from the DBD parameter on the GENJCL.RECOV command.
%DBDDN	The ddname of the DBDS; %DBDDN is set from the DDN parameter on the GENJCL.RECOV command.
%DBDSN	The data set name of the DBDS; %DBDSN is set from the DBDS record of the DBDSs.
%DBDSAM	Set to VSAM for a VSAM DBDS. Otherwise, set to null.
%MDBNAME	The HALDB master name, if this is a DBDS of a HALDB partition. This keyword is set to NULL for non-HALDB databases.
%DSL LGTM	The start time for selecting input log data. If an input change accumulation data set is used, %DSL LGTM is set to the volume stop time of the last-accumulated log volume. Otherwise, the keyword value is set to image-copy time.
%SMS	Indicates whether or not an Image Copy 2 image copy data set is being used for the requested utility execution. Set to 1 if yes; otherwise, set to 0.
%ICDSN	The data set name of the image copy data set. Set to null if the USEDDBDS parameter is specified on the GENJCL.RECOV command. Otherwise, set from the image copy record for the DBDS.
%ICUNIT	The unit type of the image copy data set. Set to null if the USEDDBDS parameter is specified on the GENJCL.RECOV command. Otherwise, set from the image copy record for the DBDS.
%ICVOLS	The volume serial number list of the image copy data set. Set to null if the USEDDBDS parameter is specified on the GENJCL.RECOV command. Otherwise, set from the image copy record for the DBDS.
%ICFSEQ	The file sequence number of the image copy data set. Set to null if the USEDDBDS parameter is specified on the GENJCL.RECOV command. Otherwise, set from the image copy record for the DBDS.
%CADSN	The data set name of the change accumulation data set. Set to null if no change accumulation is available for the DBDS. Otherwise, set from the change accumulation record.
%CAUNIT	The unit type of the change accumulation data set. Set to null if no change accumulation is available for the DBDS. Otherwise, set from the change accumulation record.
%CAVOLS	The volume serial number list of the change accumulation data set. Set to null if no change accumulation is available for the DBDS. Otherwise, set from the change accumulation record.
%CAFSEQ	The file sequence number of the change accumulation data set. Set to null if no change accumulation is available for the DBDS. Otherwise, set from the change accumulation record.
%LOGDSN	The data set name of the log data set.
%LOGUNIT	The unit type of the log data set.
%LOGVSEQ	The volume sequence number of the log data set.
%LOGVOLS	The volume serial numbers of the log data set.
%LOGFSEQ	The file sequence number of the log data set.
%LOGSEL	Set to YES if any log data sets are selected by the select group; in this case, the delete group following the select group is deleted. Otherwise, the %LOGSEL keyword is set to NO, and a DD DUMMY statement is generated.



Table 13. Symbolic keywords for Database Recovery utility - recovery (RECOVJCL) (continued)

Keyword	Description														
%RCSYSIN	<p>The Database Recovery utility control statement. Columns in the statement are set as follows:</p> <table border="1"> <thead> <tr> <th>Column</th> <th>Setting</th> </tr> </thead> <tbody> <tr> <td>1</td> <td>S</td> </tr> <tr> <td>4-11</td> <td>Database name</td> </tr> <tr> <td>13-20</td> <td>Data set ddname</td> </tr> <tr> <td>31-61</td> <td>The specified time stamp if the RCVTIME parameter was specified on the GENJCL.RECOV command. Otherwise, blank.</td> </tr> <tr> <td>63</td> <td>C, if USEDBDS was specified on the GENJCL.RECOV command. M, if USERIC or LASTUIC were specified on the GENJCL.RECOV command. Otherwise, blank.</td> </tr> <tr> <td>64</td> <td>D, if NOBDSDD was specified on the GENJCL.RECOV command. Otherwise, blank.</td> </tr> </tbody> </table> <p>All other columns are set to blanks.</p>	Column	Setting	1	S	4-11	Database name	13-20	Data set ddname	31-61	The specified time stamp if the RCVTIME parameter was specified on the GENJCL.RECOV command. Otherwise, blank.	63	C, if USEDBDS was specified on the GENJCL.RECOV command. M, if USERIC or LASTUIC were specified on the GENJCL.RECOV command. Otherwise, blank.	64	D, if NOBDSDD was specified on the GENJCL.RECOV command. Otherwise, blank.
Column	Setting														
1	S														
4-11	Database name														
13-20	Data set ddname														
31-61	The specified time stamp if the RCVTIME parameter was specified on the GENJCL.RECOV command. Otherwise, blank.														
63	C, if USEDBDS was specified on the GENJCL.RECOV command. M, if USERIC or LASTUIC were specified on the GENJCL.RECOV command. Otherwise, blank.														
64	D, if NOBDSDD was specified on the GENJCL.RECOV command. Otherwise, blank.														
%RCVFULL	<p>Indicates whether full recoveries are to be generated. When set to YES, full recoveries are generated. If the RCVTIME parameter was specified on the GENJCL.RECOV command, %RCVFULL is set to NO.</p>														

## IBM-supplied skeletal JCL execution members

This section lists and describes each of the skeletal JCL execution members that are provided by IBM. This skeletal JCL generates executable JCL for running the applicable utilities.

- “The JOB statement”
- “Log Archive utility JCL (ARCHJCL)” on page 278
- “Database Change Accumulation utility JCL (CAJCL)” on page 282
- “Log Recovery utility JCL (LOGCLJCL)” on page 285
- “Database Image Copy utility JCL (ICJCL)” on page 287
- “Online Database Image Copy utility JCL (OICJCL)” on page 292
- “Database Recovery utility JCL-image copy receive-tracking site (ICRCVJCL)” on page 294
- “Database Recovery utility JCL (RECOVJCL)” on page 296
- “HALDB Index/ILDS Rebuild utility JCL (DSPUPJCL)” on page 300

### The JOB statement

The IBM-supplied skeletal JCL execution member for the JOB statement is named JOBJCL. JOBJCL is invoked when any GENJCL command is issued.

JOBJCL consists of a single statement, as follows:

```
//JT%TIME JOB
```

You need to modify JOBJCL to add job accounting information that is required by your installation. In addition, you can add JOBLIB, STEPLIB, and JES control statements to JOBJCL. The default job name can be modified. If you use this supplied JOB statement, the job name is generated as JThhmmss, where hhhmmss is the time (hour, minute, second) that the JCL was generated.

## Log Archive utility JCL (ARCHJCL)

The IBM-supplied skeletal JCL execution member for the Log Archive utility is named ARCHJCL. ARCHJCL is used when the GENJCL.ARCHIVE command is issued.

The following is a listing of ARCHJCL. A description of the statements in ARCHJCL follows it.

Note: The following is the OLDS archive EXEC statement.

```
%DELETE (%ARCSLDS EQ 'YES')
//AR%STPNO EXEC PGM=DFSUARC0,PARM='%SSID'
%ENDDDEL
```

Note: The following is the SLDS archive EXEC statement.

```
%DELETE (%ARCSLDS EQ 'NO')
//AR%STPNO EXEC PGM=DFSUARC0,PARM='DBRC=Y'
%ENDDDEL
/**
/** THIS JCL ORIGINATES FROM THE USER'S 'JCLPDS' LIBRARY.
/** KEYWORDS ARE REPLACED BY THE GENJCL FUNCTION OF
/** THE IMS/ESA DATABASE RECOVERY CONTROL FEATURE.
/**
/** JCL FOR ARCHIVE UTILITY
/**
//STEPLIB DD DSN=IMSVS.RESLIB,DISP=SHR
//SYSPRINT DD SYSOUT=A
%DELETE (%RCNDSN1 EQ '')
//RECON1 DD DSN=%RCNDSN1,DISP=SHR
%ENDDDEL
%DELETE (%RCNDSN2 EQ '')
//RECON2 DD DSN=%RCNDSN2,DISP=SHR
%ENDDDEL
%DELETE (%RCNDSN3 EQ '')
//RECON3 DD DSN=%RCNDSN3,DISP=SHR
%ENDDDEL
```

Note: The following lines are used to archive OLDS.

```
%DELETE (%ARCSLDS EQ 'YES')
%SELECT OLDS(%SSID,(%ddnames))
//OLDSDDN DD DSN=%OLDSDSN,DISP=SHR
%ENDSEL
//DFSSLOGP DD DSN=IMS.SLDSP.%SSID.D%ARDATE.T%ARTIME.V%ARVERS,
// UNIT=3400,VOL=(,,99),
// DISP=(NEW,KEEP),LABEL=(1,SL)
//DFSSLOGS DD DSN=IMS.SLDSS.%SSID.D%ARDATE.T%ARTIME.V%ARVERS,
// UNIT=3400,VOL=(,,99),
// DISP=(NEW,KEEP),LABEL=(1,SL)
//RLSDDD1 DD DSN=IMS.RLDSP.%SSID.D%ARDATE.T%ARTIME.V%ARVERS,
// UNIT=3400,VOL=(,,99),
// DISP=(NEW,KEEP),LABEL=(1,SL)
//RLSDDD2 DD DSN=IMS.RLDSS.%SSID.D%ARDATE.T%ARTIME.V%ARVERS,
// UNIT=3400,VOL=(,,99),
// DISP=(NEW,KEEP),LABEL=(1,SL)
%ENDDDEL
```

Note: The following lines are used to archive primary SLDSs.

```
%DELETE (%ARCSLDS EQ 'NO')
%SELECT SLDS(%SSID,ALL)
//DFSSLDSP DD DSN=%SLDSN,DISP=(OLD,PASS)
%ENDSEL
%ENDDDEL
%DELETE (%ARCSLDS EQ 'NO' | %SLDSSEL EQ 'NO')
//DFSSLOGP DD DSN=IMSVS.ARCH1.%SSID.D%ARDATE.T%ARTIME,
// UNIT=3400,VOL=(,,99),
// DISP=(NEW,PASS),LABEL=(1,SL)
//RLSDDD1 DD DSN=IMSVS.RLDS1.%SSID.D%ARDATE.T%ARTIME,
// UNIT=3400,VOL=(,,99),
// DISP=(NEW,PASS),LABEL=(1,SL)
```

```
%ENDDDEL
Note: The following lines are used to archive secondary SLDSs.
```

```
%DELETE (%ARCSLDS EQ 'NO')
%SELECT SSLDS(%SSID,ALL)
//DFSSLDS DD DSN=%SLSDSN,DISP=(OLD,PASS)
%ENDSEL
%ENDDDEL
%DELETE (%ARCSLDS EQ 'NO' | %SLDSSEL EQ 'NO')
//DFSSLOGS DD DSN=IMSVS.ARCH2.%SSID.D%ARDATE.T%ARTIME,
//          UNIT=3400,VOL=(,,99),
//          DISP=(NEW,PASS),LABEL=(1,SL)
//RLSDDD2 DD DSN=IMSVS.RLDS2.%SSID.D%ARDATE.T%ARTIME,
//          UNIT=3400,VOL=(,,99),
//          DISP=(NEW,PASS),LABEL=(1,SL)
%ENDDDEL
```

```
Note: The following lines are common to both processes.
```

```
//SYSIN DD *
SLDS FEOV(08000)
COPY DDNOUT1(RLSDDD1) DDNOUT2(RLSDDD2) DBRECOV
/*
```

```
Note: The following lines are used for the SLDSs process
```

```
%DELETE (%ARCSLDS EQ 'NO')
//*****
/*
/** The following optional steps are used to manage the data
/** sets used in the previous SLDS archive step. If the previous
/** step completed successfully, the input data sets will be
/** deleted and the output data sets will be cataloged. The
/** output data sets will be deleted if the previous step
/** failed.
/**
/**
//*****
//GOODRC%STPNO EXEC PGM=IEFBR14,COND=(0,NE,AR%STPNO)
%SELECT SLDS(%SSID,ALL)
//PSLDS1 DD DSN=%SLSDSN,DISP=(OLD,DELETE)
%ENDSEL
%SELECT SSLDS(%SSID,ALL)
//SSLDS1 DD DSN=%SLSDSN,DISP=(OLD,DELETE)
%ENDSEL
//DD1 DD DSN=*.AR%STPNO.DFSSLOGP,DISP=(OLD,CATLG)
//DD2 DD DSN=*.AR%STPNO.DFSSLOGS,DISP=(OLD,CATLG)
//DD3 DD DSN=*.AR%STPNO.RLSDDD1,DISP=(OLD,CATLG)
//DD4 DD DSN=*.AR%STPNO.RLSDDD2,DISP=(OLD,CATLG)
/*
//BADRC%STPNO EXEC PGM=IEFBR14,COND=(0,EQ,AR%STPNO)
//DD1 DD DSN=*.AR%STPNO.DFSSLOGP,DISP=(OLD,DELETE)
//DD2 DD DSN=*.AR%STPNO.DFSSLOGS,DISP=(OLD,DELETE)
//DD3 DD DSN=*.AR%STPNO.RLSDDD1,DISP=(OLD,DELETE)
//DD4 DD DSN=*.AR%STPNO.RLSDDD2,DISP=(OLD,DELETE)
/*
%ENDDDEL
```

You can modify this JCL to suit your needs. It is important to maintain the position of the output DD statements (DFSSLOGP and RLSDDD1) or (DFSSLOGS and RLSDDD2) with respect to the correct %SELECT group. So, the DD statements for the primary output data sets (DFSSLOGP and RLSDDD1) must follow the %SELECT SLDS(%SSID,ALL) select group and precede the %SELECT SSLDS(%SSID,ALL) select group.

#### Restrictions:

- The %ARVERS keyword is not supported for the SLDS archive process and must not be used.

- Do not use the FREE=CLOSE JCL parameter on the DFSSLOGP DD statement. The data set is dynamically deallocated and using FREE=CLOSE will produce unpredictable results.

**EXEC statement**

The %STPN0 keyword is replaced with the current step number; then the current step number is increased by 1. The %SSID keyword is replaced with the ID of the IMS subsystem that created the OLDSs.

**STEPLIB DD statement**

DBRC makes no changes to this statement.

**SYSPRINT DD statement**

DBRC makes no changes to this statement.

**RECONn DD statements**

The RECON DD statements identify the RECON data sets.

Each of these statements is within a delete group that is controlled by a %RCNDSN keyword. The %RCNDSN keyword values are set from the RECON names that are used when the GENJCL command is executed.

- If RECON data sets are allocated dynamically, the %RCNDSN keywords are set to null, and the RECONn DD statements are deleted.
- If RECON data sets are allocated with JCL, the %RCNDSN keywords are set to the name of the corresponding RECON in the GENJCL command.
- If a RECON data set is not used when the GENJCL command is executed (for example, no spare RECON exists), the keyword is set to null, and the DD statement is deleted.

**OLDS DD statements**

The DD statements for the OLDSs that are to be archived are generated with a select group. The %SSID keyword identifies the subsystem ID. The %DDNAMES keyword identifies the OLDSs. A DD statement is generated for each specified OLDS. The OLDS ddname replaces the %OLDSDDN keyword. The data set name replaces the %OLDSDSN keyword.

**DFSSLOGP DD statement**

This DD statement defines the primary SLDS to be created. The subsystem ID replaces the %SSID keyword. The %ARDATE and %ARTIME keywords are replaced with the date (yyddd) and time (hhmmsst) from the open time stamp of the oldest OLDS being archived. The %ARVERS keyword is replaced with the archive version number (nn) of the oldest OLDS being archived.

**DFSSLOGS DD statement**

This DD statement defines the secondary SLDS that is to be created. The subsystem ID replaces the %SSID keyword. The %ARDATE and %ARTIME keywords are replaced with the date (yyddd) and time (hhmmsst) from the open time stamp of the oldest OLDS that is being archived. The %ARVERS keyword is replaced with the archive version number (nn) of the oldest OLDS that is being archived.

If you are not using dual SLDS logging, delete this DD statement from the skeletal JCL execution member.

**RLDSDD1 DD statement**

This DD statement defines the primary RLDS that is to be created. The subsystem ID replaces the %SSID keyword. The %ARDATE and %ARTIME keywords are replaced with the date (yyddd) and time (hhmmsst) from the open time

stamp of the oldest OLDS that is being archived. The %ARVERS keyword is replaced with the archive version number (nn) of the oldest OLDS that is being archived.

If you are not using an RLDS, delete this statement and the RLSDDD2 DD statement from the execution member. If this statement is deleted, the utility control COPY statement must be deleted from the SYSIN data. DBRC does not verify that the SYSIN data matches the DD statements.

#### **RLSDDD2 DD statement**

This DD statement defines the secondary RLDS that is to be created. The subsystem ID replaces the %SSID keyword. The %ARDATE and %ARTIME keywords are replaced with the date (yyddd) and time (hhmmsst) from the open time stamp of the oldest OLDS that is being archived. The %ARVERS keyword is replaced with the archive version number (nn) of the oldest OLDS being archived.

If you are not using RLDS logging, delete this statement from the execution member. If this statement is deleted, the DDNOUT2(RLSDDD2) parameter must be deleted from the utility control COPY statement in the SYSIN data. DBRC does not verify that the SYSIN data matches the DD statements.

#### **SYSIN DD statement**

DBRC makes no changes to the SYSIN DD statement or to the utility control statements in the SYSIN data.

#### **DFSSLDSP DD statements**

The DD statements for the primary SLDSs that are to be archived are generated with a select group. The %SSID keyword identifies the subsystem ID. A DD statement is generated for each unarchived SLDS. The SLDS data set name replaces the %SLSDSN keyword.

#### **DFSSLDSS DD statements**

The DD statements for the secondary SLDSs that are to be archived are generated with a select group. The %SSID keyword identifies the subsystem ID. A DD statement is generated for each unarchived SLDS. The SLDS name replaces the %SLSDSN keyword.

#### **DFSSLGDP DD statement**

This DD statement defines the primary SLDS that is to be created. The subsystem ID replaces the %SSID keyword. The %ARDATE and %ARTIME keywords are replaced with the date (yyddd) and time (hhmmsst) from the open time stamp of the oldest OLDS or SLDS that is being archived. The %ARVERS keyword is replaced with the archive version number (nn) of the oldest OLDS being archived.

#### **DFSSLGDS DD statement**

This DD statement defines the secondary SLDS that is to be created. The subsystem ID replaces the %SSID keyword. The %ARDATE and %ARTIME keywords are replaced with the date (yyddd) and time (hhmmsst) from the open time stamp of the oldest OLDS or SLDS that is being archived. The %ARVERS keyword is replaced with the archive version number (nn) of the oldest OLDS that is being archived.

If you are not using dual SLDS logging, delete these DD statements and the DD2 DD statements from the skeletal JCL execution member.

#### **RLSDDD1 DD statement**

This DD statement defines the primary RLDS that is to be created. The subsystem ID replaces the %SSID keyword. The %ARDATE and %ARTIME keywords are replaced with the date (yyddd) and time (hhmmsst) from the open time

stamp of the oldest OLDS or SLDS being archived. The %ARVERS keyword is replaced with the archive version number (nn) of the oldest OLDS being archived.

If you are not using an RLDS, delete these statements, the RLDSDD2 DD statements, and the DD3 and DD4 DD statements from the execution member. If these statements are deleted, the utility control COPY statement must be deleted from the SYSIN data. DBRC does not verify that the SYSIN data matches the DD statements.

#### **RLDSDD2 DD statement**

This DD statement defines the secondary RLDS that is to be created. The subsystem ID replaces the %SSID keyword. The %ARDATE and %ARTIME keywords are replaced with the date (yyddd) and time (hhmmss) from the open time stamp of the oldest OLDS or SLDS that is being archived. The %ARVERS keyword is replaced with the archive version number (nn) of the oldest OLDS that is being archived.

If you are not using dual logging, delete these statements and the DD4 DD statements from the execution member. If these statements are deleted, the DDNOUT2(RLDSDD2) parameter must be deleted from the utility control COPY statement in the SYSIN data. DBRC does not verify that the SYSIN data matches the DD statements.

### **Database Change Accumulation utility JCL (CAJCL)**

The IBM-supplied skeletal JCL execution member for the Database Change Accumulation utility is named CAJCL. CAJCL is used when the GENJCL.CA command is issued. You can specify an execution member other than CAJCL by using the CAJCL parameter on the INIT.CAGRP or CHANGE.CAGRP commands.

The following is a listing of CAJCL. A description of the statements in CAJCL follows it.

```
//CA%STPNO EXEC PGM=DFSUCUM0,PARM='CORE=100000',REGION=800K
//*
/* THIS JCL ORIGINATES FROM THE USER'S 'JCLPDS' LIBRARY.
/* KEYWORDS ARE REPLACED BY THE GENJCL FUNCTION OF
/* THE IMS/ESA DATABASE RECOVERY CONTROL FEATURE.
/*
/*      JCL FOR CHANGE ACCUMULATION
/*
//STEPLIB DD DSN=IMS.SDFSRESL,DISP=SHR
//SYSPRINT DD SYSOUT=A
%DELETE (%RCNDSN1 EQ '')
//RECON1 DD DSN=%RCNDSN1,DISP=SHR
%ENDDDEL
%DELETE (%RCNDSN2 EQ '')
//RECON2 DD DSN=%RCNDSN2,DISP=SHR
%ENDDDEL
%DELETE (%RCNDSN3 EQ '')
//RECON3 DD DSN=%RCNDSN3,DISP=SHR
%ENDDDEL
//IMS DD DSN=IMS.DBDLIB,DISP=SHR
//SYSOUT DD SYSOUT=A
//SORTLIB DD DSN=SYS1.SORTLIB,DISP=SHR
//SORTWK01 DD UNIT=SYSDA,SPACE=(CYL,(2),,CONTIG)
//SORTWK02 DD UNIT=SYSDA,SPACE=(CYL,(2),,CONTIG)
//SORTWK03 DD UNIT=SYSDA,SPACE=(CYL,(2),,CONTIG)
//SORTWK04 DD UNIT=SYSDA,SPACE=(CYL,(2),,CONTIG)
//SORTWK05 DD UNIT=SYSDA,SPACE=(CYL,(2),,CONTIG)
//SORTWK06 DD UNIT=SYSDA,SPACE=(CYL,(2),,CONTIG)
%DELETE (%CAODSN EQ '')
```

```

//DFSUCUMO DD DSN=%CAODSN,UNIT=%CAOUNIT,
//           VOL=(PRIVATE,, ,SER=(%CAOVOLS)),
//           LABEL=(%CAOFSEQ,SL),
//           DISP=OLD
%ENDDDEL
%DELETE      (%CAODSN NE '')
//DFSUCUMO DD DUMMY,DCB=BLKSIZE=100
%ENDDDEL
//DFSUCUMN DD DSN=%CANDSN,UNIT=%CANUNIT,
//           VOL=(PRIVATE,, ,%CANVCNT,SER=(%CANVOLS)),
//           LABEL=(%CANFSEQ,SL),
//           DISP=(NEW,KEEP)
%SELECT      RLDS((%CAGRP),(FROM(%DSLLGTM)))
//DFSULOG DD DSN=%LOGDSN,UNIT=%LOGUNIT,
//           VOL=(PRIVATE,,%LOGVSEQ,,SER=(%LOGVOLS)),
//           LABEL=(%LOGFSEQ,SL),
//           DCB=RECFM=VB,
//           DISP=OLD
%ENDSEL
%DELETE      (%LOGSEL EQ 'YES')
//DFSULOG DD DUMMY,DCB=BLKSIZE=100
%ENDDDEL
//DFSUDD1 DD DUMMY
//SYSIN DD *
%CADB0
/*

```

#### **EXEC statement**

The %STPNO keyword is replaced with the current step number; then the current step number is increased by 1.

#### **STEPLIB DD statement**

DBRC makes no changes to this statement.

#### **SYSPRINT DD statement**

DBRC makes no changes to this statement.

#### **RECONn DD statements**

The RECON DD statements identify the RECON data sets.

Each of these statements is within a delete group that is controlled by a %RCNDSN keyword. The %RCNDSN keyword values are set from the RECON names that are used when the GENJCL command is executed.

- If RECON data sets are allocated dynamically, the %RCNDSN keywords are set to null, and the RECONn DD statements are deleted.
- If RECON data sets are allocated with JCL, the %RCNDSN keywords are set to the name of the corresponding RECON in the GENJCL command.
- If a RECON data set is not used when the GENJCL command is executed (for example, no spare RECON exists), the keyword is set to null, and the DD statement is deleted.

#### **IMS DD statement**

DBRC makes no changes to this statement.

#### **SYSOUT DD statement**

DBRC makes no changes to this statement.

#### **SORTLIB DD statement**

DBRC makes no changes to this statement.

#### **SORTWKn DD statements**

DBRC makes no changes to these statements.

#### **DFSUCUMO DD statement**

This statement identifies a previously created change accumulation data set that is used as input.

Two delete groups are used to generate this DD statement. If no existing change accumulation data set is defined in the RECON data set for the CA group, the value of the %CAODSN keyword is null. Thus, the first delete group is deleted, and the DFSUCUMO DD statement is generated as DUMMY,DCB=BLKSIZE=100.

If an input change accumulation data set is defined in the RECON data set, the %CAODSN keyword is set to the data set name. Thus, the second delete group is deleted, and the DFSUCUMO DD statement identifies the input data set. Other keywords relating to the output data set are replaced as follows:

**%CAODSN**  
Data set name

**%CAOUNIT**  
Unit type

**%CAOVOLS**  
Volume serial number list

**%CAOFSEQ**  
File sequence number

#### **DFSUCUMN DD statement**

This DD statement identifies the output change accumulation data set. Other keywords relating to the output data set are replaced as follows:

**%CANDSN**  
Data set name

**%CANUNIT**  
Unit type

**%CANVCNT**  
Volume count

**%CANVOLS**  
Volume serial numbers

**%CANFSEQ**  
File sequence number

#### **DFSULOG DD statement**

This DD statement identifies the IMS log data sets that are to be used as input to the Database Change Accumulation utility. A select group selects the required log data sets. %CAGRP identifies the CA group for which log data sets are to be selected. All log volumes that are not previously processed for the CA group are selected. Other keywords for the selected data sets are replaced as follows:

**%LOGDSN**  
Data set name

**%LOGUNIT**  
Unit type

**%LOGVSEQ**  
Volume sequence number



### **%LOGVOLS**

Volume serial numbers

### **%LOGFSEQ**

File sequence numbers

If any log data sets are selected by the select group, the value of the %LOGSEL keyword in the next delete group is YES; this causes the delete group to be deleted. Otherwise, the %LOGSEL keyword is set to NO, and a DD DUMMY statement is generated.

### **DFSUDD1 DD statement**

DBRC makes no changes to this statement.

The DFSUDD1 DD statement identifies the optional output log data set that is produced by the Database Change Accumulation utility. DBRC does not record the optional output log data set; therefore, the skeletal JCL execution member specifies the DFSUDD1 DD statement as DUMMY.

### **SYSIN DD statement**

DBRC makes no changes to this statement.

### **DB0 Control statements**

A DB0 control statement is generated for each DBDS in the CA group.

## **Log Recovery utility JCL (LOGCLJCL)**

The IBM-supplied skeletal JCL execution member for the Log Recovery utility is named LOGCLJCL. LOGCLJCL is used when the GENJCL.CLOSE command is issued.

The following is a listing of LOGCLJCL. A description of the statements in LOGCLJCL follows it.

```
//CL%STPNO      EXEC PGM=DFSULTR0,PARM='IMSID=%SSID'  
//*  
//* THIS JCL ORIGINATES FROM THE USER'S 'JCLPDS' LIBRARY.  
//* KEYWORDS ARE REPLACED BY THE GENJCL FUNCTION OF  
//* THE IMS/ESA DATABASE RECOVERY CONTROL FEATURE.  
//*  
//*          JCL FOR LOG RECOVERY UTILITY  
//*  
//STEPLIB      DD DSN=IMS.SDFSRESL,DISP=SHR  
//SYSPRINT     DD  SYSOUT=A  
%DELETE       (%RCNDSN1 EQ '')  
//RECON1      DD  DSN=%RCNDSN1,DISP=SHR  
%ENDDDEL  
%DELETE       (%RCNDSN2 EQ '')  
//RECON2      DD  DSN=%RCNDSN2,DISP=SHR  
%ENDDDEL  
%DELETE       (%RCNDSN3 EQ '')  
//RECON3      DD  DSN=%RCNDSN3,DISP=SHR  
%ENDDDEL  
%SELECT       OLDS(%SSID,(%CDDNAME))  
//DFSOL%OLDSTYP DD  DSN=%OLDSN,DISP=SHR  
%ENDSEL  
%DELETE       (%WADS EQ 'NO')  
//DFSWADS0    DD  DSN=IMS.WADS0,DISP=OLD  
%ENDDDEL  
%DELETE       (%WADS EQ 'YES')  
%SELECT       OLDS(%SSID,(%NDDNAME))  
//DFSNO%OLDSTYP DD  DSN=%OLDSN,DISP=SHR  
%ENDSEL  
%ENDDDEL  
%DELETE       (%PDDNAME EQ '')
```

```

%SELECT          OLDS(%SSID, (%PDDNAME))
//DFSPOL%OLDSTYP DD DSN=%OLDSDSN,DISP=SHR
%ENDSEL
%ENDDDEL
//SYSIN          DD *
CLS
/*

```

#### **EXEC statement**

The %STPN0 keyword is replaced with the current step number; then the current step number is increased by 1. The %SSID keyword is replaced with the ID of the IMS subsystem that created the OLDS that is to be closed.

#### **STEPLIB DD statement**

DBRC makes no changes to this statement.

#### **SYSPRINT DD statement**

DBRC makes no changes to this statement.

#### **RECONn DD statements**

The RECON DD statements identify the RECON data sets.

Each of these statements is within a delete group that is controlled by a %RCNDSN keyword. The %RCNDSN keyword values are set from the RECON names that are used when the GENJCL command is executed.

- If RECON data sets are allocated dynamically, the %RCNDSN keywords are set to null, and the RECONn DD statements are deleted.
- If RECON data sets are allocated with JCL, the %RCNDSN keywords are set to the name of the corresponding RECON in the GENJCL command.
- If a RECON data set is not used when the GENJCL command is executed (for example, no spare RECON exists), the keyword is set to null, and the DD statement is deleted.

#### **OLDS DD statement**

This DD statement identifies the OLDS that is to be closed. A select group is used to select the OLDS. The %SSID keyword identifies the subsystem ID, and the %CDDNAME identifies the OLDS by its DD name. The OLDS type, primary or secondary, replaces the %OLDSTYP keyword. The resulting ddname is DFSOLP or DFSOLS. The %OLDSDSN keyword is replaced with the data set name of the OLDS.

#### **WADS DD statement**

This statement is provided only as a model. You must change it before using the skeletal JCL execution member.

The supplied DFSWADS0 DD statement must be replaced with DD statements DFSWADS0 through DFSWADS<sub>n</sub>. n+1 is the number of WADSs that the online IMS control region uses. The WADS DD statements are contained in a select group that is controlled by the keyword %WADS. The GENJCL.CLOSE command processor sets the value of the %WADS keyword to YES if the OLDS is to be closed using the WADS. The command processor sets the value to NO if the OLDS is to be closed using the next OLDS. The WADS DD statements are, therefore, deleted if the OLDS is to be closed using the next OLDS.

#### **Next OLDS DD statements**

If the OLDS is to be closed using the next OLDS, these DD statements identify the next OLDSs. These statements are contained in a delete group that is controlled by the %WADS keyword. Thus, if the OLDS is to be closed using the WADS, these statements are deleted. A select group is used in order to select the next OLDSs. The %SSID keyword identifies the subsystem ID. The %NDDNAME keyword identifies the next OLDS by ddname. The OLDS type, primary or

secondary, replaces the %OLDSTYP keyword. The resulting ddname is DFSNOLP or DFSNOLS. The %OLDSDSN keyword is replaced with the data set name of the OLDS.

#### **Prior OLDS DD statements**

If an immediately prior OLDS exists, the corresponding DD statement identifies the immediately prior OLDS. These statements are contained in a delete group that is controlled by the %PDDNAME keyword. If its value is not null, a select group is used in order to select the immediately prior OLDS. The resulting ddname is DFSP0LP or DFSP0LS. Processing of the other keywords is as described under Next OLDS DD statements, above.

#### **SYSIN DD statement**

DBRC makes no changes to the SYSIN DD statement or to the utility control statements in the SYSIN data.

### **Database Image Copy utility JCL (ICJCL)**

The IBM-supplied skeletal JCL execution member for the Database Image Copy and Database Image Copy 2 utility is named ICJCL.

ICJCL is used when the GENJCL.IC command is issued. The ICJCL may be processed more than once for each job step in the output JCL. You can specify an execution member other than ICJCL by using the ICJCL parameter on the INIT.DBDS or CHANGE.DBDS commands.

The JCL is divided into three parts:

#### **First part (from the EXEC statement through the IMS DD statement)**

Contained in delete groups controlled by keyword %SMSGRP so that they are processed only once per job.

#### **Second part (from the %DBADDN DD statement through the %ICDDN4 DD statement)**

Processed once for each DBDS or area to be copied in a job step. The second set of %ICDDNn DD statements is deleted if Sameds was specified on the GENJCL command.

#### **Third part (SYSIN DD statement and the %ICSYSIN statement)**

Contained in a delete group controlled by keyword %SMSGRP so that they are processed only for the last (or only) DBDS or area to be copied in a job step.

The following is a listing of ICJCL. A description of the statements in ICJCL follows it.

```
%DELETE (%SMSGRP NE '
/*-----| These comments are useful for modifying the skeletal
/*-----| member, but are confusing when generated in the
/*-----| output jcl. Force them to be deleted.
/*-----|
/*-----| New variables for GENJCL.IC:
/*-----| One DBDS per step:
/*-----|   %SMSGRP = 0 - Not SMS or not Group
/*-----|   %SMS1DS = 0 - Not SMS or not Group or not ONEDS
/*-----|
/*-----| Multiple DBDSs per step:
/*-----|   %SMSGRP = 1 - SMS + Group + only member
/*-----|   %SMSGRP = 2 - SMS + Group + first member
/*-----|   %SMSGRP = 3 - SMS + Group + not first or last
/*-----|   %SMSGRP = 4 - SMS + Group + last member
/*-----|   %SMS1DS = 1 - %SMSGRP > 0 + ONEDS
```

```

/*-----|
/*-----| Section 1 is used only once per step
/*-----|

%ENDDDEL
%DELETE (%SMSGRP GT '2')
//IC%STPNO EXEC PGM=%PGMIC,REGION=800K,
//          PARM='%PARMX'
/*
/*
/* THIS JCL ORIGINATES FROM THE USER'S 'JCLPDS' LIBRARY.
/* KEYWORDS ARE REPLACED BY THE GENJCL FUNCTION OF
/* THE IMS/ESA DATA BASE RECOVERY CONTROL FEATURE.
/*
/*          JCL FOR IMAGE COPY.
/*
//STEPLIB DD DSN=IMSVS.RESLIB,DISP=SHR
//SYSPRINT DD SYSOUT=A
%ENDDDEL
%DELETE (%RCNDSN1 EQ '' | %SMSGRP GT '2')
//RECON1 DD DSN=%RCNDSN1,DISP=SHR
%ENDDDEL
%DELETE (%RCNDSN2 EQ '' | %SMSGRP GT '2')
//RECON2 DD DSN=%RCNDSN2,DISP=SHR
%ENDDDEL
%DELETE (%RCNDSN3 EQ '' | %SMSGRP GT '2')
//RECON3 DD DSN=%RCNDSN3,DISP=SHR
%ENDDDEL
%DELETE (%SMSGRP GT '2')
//IMS DD DSN=IMS.DBDLIB,DISP=SHR
%ENDDDEL
%DELETE (%SMSGRP NE '')

/*-----|
/*-----| Single output data set if SMS and ONEDS
/*-----|

%ENDDDEL
%DELETE (%SMSGRP GT '2' | %SMS1DS NE '1')
//%ICDDN1 DD DSN=%ICDSN1,UNIT=%ICUNIT1,
//          VOL=(PRIVATE,,%ICVCNT1,SER=(%ICVOLS1)),
//          LABEL=(%ICFSEQ1,SL),
//          DISP=(NEW,KEEP)
%ENDDDEL
%DELETE (%COPIES LT '2' | %SMSGRP GT '2' | %SMS1DS NE '1')
//%ICDDN2 DD DSN=%ICDSN2,UNIT=%ICUNIT2,
//          VOL=(PRIVATE,,%ICVCNT2,SER=(%ICVOLS2)),
//          LABEL=(%ICFSEQ2,SL),
//          DISP=(NEW,KEEP)
%ENDDDEL
%DELETE (%COPIES LT '3' | %SMSGRP GT '2' | %SMS1DS NE '1')
//%ICDDN3 DD DSN=%ICDSN3,UNIT=%ICUNIT3,
//          VOL=(PRIVATE,,%ICVCNT3,SER=(%ICVOLS3)),
//          LABEL=(%ICFSEQ3,SL),
//          DISP=(NEW,KEEP)
%ENDDDEL
%DELETE (%COPIES LT '4' | %SMSGRP GT '2' | %SMS1DS NE '1')
//%ICDDN4 DD DSN=%ICDSN4,UNIT=%ICUNIT4,
//          VOL=(PRIVATE,,%ICVCNT4,SER=(%ICVOLS4)),
//          LABEL=(%ICFSEQ4,SL),
//          DISP=(NEW,KEEP)
%ENDDDEL
%DELETE (%SMSGRP NE '')

/*-----|
/*-----| Section 2 is used once per DBDS (any value of %SMSGRP)
/*-----|

%ENDDDEL

```

```

%SELECT DBDS((%DBNAME,%DBDDN))
%DELETE (%DBADSAV NE 'AVAIL')
//%DBADDN DD DSN=%DBDSN,DISP=%CICDISP
%ENDDDEL
%DELETE (%DBADSAV NE '' | %MDBNAME NE'')
//%DBDDN DD DSN=%DBDSN,DISP=%CICDISP
%ENDDDEL
%ENDSEL
%DELETE (%SMSGRP NE '')
//*-----|-----
//*-----| Output data sets not included if SMS + Group + ONEDS
//*-----|-----
%ENDDDEL
%DELETE (%SMS1DS EQ '1')
//%ICDDN1 DD DSN=%ICDSN1,UNIT=%ICUNIT1,
// VOL=(PRIVATE,,%ICVCNT1,SER=(%ICVOLS1)),
// LABEL=(%ICFSEQ1,SL),
%ENDDDEL
%DELETE (%SMS EQ '1' | %SMS1DS EQ '1')
// DISP=(NEW,KEEP),DCB=BUFNO=10
%ENDDDEL
%DELETE (%SMS NE '1' | %SMS1DS EQ '1')
// DISP=(NEW,KEEP)
%ENDDDEL
%DELETE (%COPIES EQ '1' | %SMS EQ '1' | %SMS1DS EQ '1')
//%ICDDN2 DD DSN=%ICDSN2,UNIT=%ICUNIT2,
// VOL=(PRIVATE,,%ICVCNT2,SER=(%ICVOLS2)),
// LABEL=(%ICFSEQ2,SL),
// DISP=(NEW,KEEP),DCB=BUFNO=10
%ENDDDEL
%DELETE (%COPIES EQ '1' | %SMS NE '1' | %SMS1DS EQ '1')
//%ICDDN2 DD DSN=%ICDSN2,UNIT=%ICUNIT2,
// VOL=(PRIVATE,,%ICVCNT2,SER=(%ICVOLS2)),
// LABEL=(%ICFSEQ2,SL),
// DISP=(NEW,KEEP)
%ENDDDEL
%DELETE (%COPIES LE '2' | %SMS EQ '1' | %SMS1DS EQ '1')
//%ICDDN3 DD DSN=%ICDSN3,UNIT=%ICUNIT3,
// VOL=(PRIVATE,,%ICVCNT3,SER=(%ICVOLS3)),
// LABEL=(%ICFSEQ3,SL),
// DISP=(NEW,KEEP),DCB=BUFNO=10
%ENDDDEL
%DELETE (%COPIES LE '2' | %SMS NE '1' | %SMS1DS EQ '1')
//%ICDDN3 DD DSN=%ICDSN3,UNIT=%ICUNIT3,
// VOL=(PRIVATE,,%ICVCNT3,SER=(%ICVOLS3)),
// LABEL=(%ICFSEQ3,SL),
// DISP=(NEW,KEEP)
%ENDDDEL
%DELETE (%COPIES LE '3' | %SMS EQ '1' | %SMS1DS EQ '1')
//%ICDDN4 DD DSN=%ICDSN4,UNIT=%ICUNIT4,
// VOL=(PRIVATE,,%ICVCNT4,SER=(%ICVOLS4)),
// LABEL=(%ICFSEQ4,SL),
// DISP=(NEW,KEEP),DCB=BUFNO=10
%ENDDDEL
%DELETE (%COPIES LE '3' | %SMS NE '1' | %SMS1DS EQ '1')
//%ICDDN4 DD DSN=%ICDSN4,UNIT=%ICUNIT4,
// VOL=(PRIVATE,,%ICVCNT4,SER=(%ICVOLS4)),
// LABEL=(%ICFSEQ4,SL),
// DISP=(NEW,KEEP)
%ENDDDEL
%DELETE (%SMSGRP NE '')
//*-----|-----
//*-----| Section 3 is used once per step (%SMSGRP = 0, 1, or 4
//*-----|-----
%ENDDDEL
%DELETE (%SMSGRP EQ '2' | %SMSGRP EQ '3')

```

```
//SYSIN      DD *
%ICSYSIN
/*
%ENDDDEL
```

- This member may be processed more than once for each job step in the output JCL.
- All statements in the first part of the JCL, from the EXEC statement through the IMS DD statement, are in delete groups controlled by keyword %SMSGRP so that they are processed only once per job step.
- The first set of %ICDDn DD statements identify the single output data set for a group of image copies. It is in a delete group controlled by the %SMS1DS keyword so that it is output only when Sameds was specified in the GENJCL command.
- The second part of the JCL, from the %DBADDN DD statement through the %ICDDN4 DD statement, is processed once for each DBDS or area to be copied in a job step. The %ICDDNn DD statements are deleted if Sameds was specified on the GENJCL command.
- The third part of the JCL, the SYSIN DD statement and the %ICSYSIN statement, are in a delete group controlled by keyword %SMSGRP so that they are processed only for the last (or only) DBDS or area to be copied in a job step.

#### **EXEC statement**

The %STPN0 keyword is replaced with the current step number; then the current step number is increased by 1.

#### **STEPLIB DD statement**

DBRC makes no changes to this statement.

#### **SYSPRINT DD statement**

DBRC makes no changes to this statement.

#### **RECONn DD statements**

The RECON DD statements identify the RECON data sets.

Each of these statements is within a delete group that is controlled by a %RCNDSN keyword. The %RCNDSN keyword values are set from the RECON names that are used when the GENJCL command is executed.

- If RECON data sets are allocated dynamically, the %RCNDSN keywords are set to null, and the RECONn DD statements are deleted.
- If RECON data sets are allocated with JCL, the %RCNDSN keywords are set to the name of the corresponding RECON in the GENJCL command.
- If a RECON data set is not used when the GENJCL command is executed (for example, no spare RECON exists), the keyword is set to null, and the DD statement is deleted.

#### **IMS DD statement**

DBRC makes no changes to this statement.

#### **%DBADDN DD statement**

This statement identifies the available ADS that is to be used. The %DBADDN keyword is replaced with the ddname of the ADS. The %DBDSN keyword is replaced with the ADS name.

#### **%DBDNN DD statement**

This statement identifies the DBDS that is to be copied. The %DBDDN keyword is replaced with the ddname of the DBDS. The %DBDSN keyword is replaced by the data set name of the DBDS.

### **%ICDDN1 DD statement**

These statements identify the first image copy data set that is produced by an Image Copy utility. Other keywords relating to the image copy data set are replaced as follows:

#### **%ICDSN1**

Data set name

#### **%ICVCNT1**

Volume count

#### **%ICVOLS1**

Volume serial number list

#### **%ICUNIT1**

Unit type

#### **%ICFSEQ1**

File sequence number

### **%ICDDN2 | 3 | 4 DD statement**

These statements identify the subsequent images that are produced by the Image Copy utility. This DD statement is within a delete group that is controlled by the %COPIES keyword. The %COPIES keyword is set to 1 if a single image copy data set is to be produced or to a 2, 3, or 4 if multiple image copy data sets are to be produced. If %COPIES is 1, the group is deleted.

The %ICDSNx, %ICVCNTx, %ICVOLSx, %ICUNITx, and %ICFSEQx keywords are replaced with the same type of information as is shown under the %D10U0 DD statement just preceding. x can be either 2, 3 or 4.

### **SYSIN DD statement**

DBRC makes no changes to this statement.

### **%ICSYSIN statement**

The Image Copy utility control statement replaces the %ICSYSIN keyword.

The %ICSYSIN statement is required. If the %ICSYSIN statement is deleted, the GENJCL.IC command fails. Multiple control statements are generated if you are processing a group.

The following is sample JCL to use if your installation uses IMSPLEX and DBRCGRP EXEC parameters to identify the IMSplex and DBRC group that the DBRC instance should register with. This JCL enables the same skeletal member to be used for DFSUDMP0 and DFSUDMT0.

```
%DELETE (%ICRTYPE NE 'BATCH' & %ICRTYPE NE 'CIC')
//IC%STPNO EXEC PGM=%PGMIC,REGION=0M,
//   PARM='%PARMX,IMSPLEX=%IMSPLEX,DBRCGRP=%DBRCGRP'
%ENDDDEL
%DELETE (%SMSGRP GT '2' | %ICRTYPE EQ 'BATCH' | %ICRTYPE EQ 'CIC')
//IC%STPNO EXEC PGM=%PGMIC,REGION=0M,
//   PARM=(%PARMX,,,,,
//   'IMSPLEX=%IMSPLEX,DBRCGRP=%DBRCGRP')
%ENDDDEL
%DELETE (%SMSGRP GT '2')
//*
//*
//* THIS JCL ORIGINATES FROM THE USER'S 'JCLPDS' LIBRARY.
//* KEYWORDS ARE REPLACED BY THE GENJCL FUNCTION OF
//* THE IMS/ESA DATA BASE RECOVERY CONTROL FEATURE.
//*
//* JCL FOR IMAGE COPY.
```

```

/**
//STEPLIB DD DSN=IMSVS.RESLIB,DISP=SHR
//SYSPRINT DD SYSOUT=A
%ENDDDEL

```

## Online Database Image Copy utility JCL (OICJCL)

The IBM-supplied skeletal JCL execution member for the Online Image Copy utility is named OICJCL. OICJCL is used when the GENJCL.OIC command is issued. You can specify an execution member other than OICJCL by using the OICJCL parameter on the INIT.DBDS or CHANGE.DBDS commands.

The following is a listing of OICJCL. A description of the statements in OICJCL follows it.

```

//OIC%STPNO EXEC PGM=DFSRR00,PARM='BMP,DFSUICP0,%PSB,,MASTER',
//          REGION=700K
/**      THIS JCL ORIGINATES FROM THE USER'S 'JCLPDS' LIBRARY.
/**      KEYWORDS ARE REPLACED BY THE GENJCL FUNCTION OF
/**      THE IMS/VIS DATA BASE RECOVERY CONTROL FEATURE.
/**
/**      JCL FOR ONLINE IMAGE COPY.
/**
//STEPLIB DD DSN=IMSVS.SDFSRESL,DISP=SHR
//SYSPRINT DD SYSOUT=A
%DELETE (%RCNDSN1 EQ '')
//RECON1 DD DSN=%RCNDSN1,DISP=SHR
%ENDDDEL
%DELETE (%RCNDSN2 EQ '')
//RECON2 DD DSN=%RCNDSN2,DISP=SHR
%ENDDDEL
%DELETE (%RCNDSN3 EQ '')
//RECON3 DD DSN=%RCNDSN3,DISP=SHR
%ENDDDEL
//IMS DD DSN=IMS.DBDLIB,DISP=SHR
//%ICDDN1 DD DSN=%ICDSN1,UNIT=%ICUNIT1,
//          VOL=(PRIVATE,,%ICVNT1,SER=(%ICVOL1)),
//          LABEL=(%ICFSEQ1,SL),
//          DISP=(NEW,KEEP)
%DELETE (%COPIES EQ '1')
//%ICDDN2 DD DSN=%ICDSN2,UNIT=%ICUNIT2,
//          VOL=(PRIVATE,,%ICVNT2,SER=(%ICVOL2)),
//          LABEL=(%ICFSEQ2,SL),
//          DISP=(NEW,KEEP)
%ENDDDEL
//DFSUCKPT DD DSN=IMSVS.%DBNAME.%DBDDN.CHECKPT.IC%TIME,
//          UNIT=SYSDA,SPACE=(TRK,1),DISP=(NEW,CATLG)
//SYSIN DD *
%ICSYSIN
/*

```

### EXEC statement

The %STPNO keyword is replaced with the current step number; then the current step number is increased by 1. The PSB name that is specified on the GENJCL.OIC command replaces the %PSB keyword.

### STEPLIB DD statement

DBRC makes no changes to this statement.

### SYSPRINT DD statement

DBRC makes no changes to this statement.

### RECONn DD statements

The RECON DD statements identify the RECON data sets.



Each of these statements is within a delete group that is controlled by a %RCNDSN keyword. The %RCNDSN keyword values are set from the RECON names that are used when the GENJCL command is executed.

- If RECON data sets are allocated dynamically, the %RCNDSN keywords are set to null, and the RECONn DD statements are deleted.
- If RECON data sets are allocated with JCL, the %RCNDSN keywords are set to the name of the corresponding RECON in the GENJCL command.
- If a RECON data set is not used when the GENJCL command is executed (for example, no spare RECON exists), the keyword is set to null, and the DD statement is deleted.

#### **IMS DD statement**

DBRC makes no changes to this statement.

#### **%ICDDN1 DD statement**

This statement identifies the first image copy data set that is produced by the Image Copy utility. Other keywords relating to the online image copy data set are replaced as follows:

##### **%ICDSN1**

Data set name

##### **%ICVCNT1**

Volume count

##### **%ICVOLS1**

Volume serial number list

##### **%ICUNIT1**

Unit type

##### **%ICFSEQ1**

File sequence number

#### **%ICDDN2 DD statement**

This statement identifies the duplicate image copy data set that produced by the Image Copy utility. This DD statement is within a delete group controlled by the %COPIES keyword. The %COPIES keyword is set to 1 if a single image copy data set is to be produced or to 2 if duplicate image copy data sets are to be produced. If %COPIES is 1, the group is deleted.

The %ICDSN2, %ICVCNT2, %ICVOLS2, %ICUNIT2, and %ICFSEQ1 keywords are replaced with the same type of information as is shown under the %D10U0 DD statement just preceding.

#### **DFSUCKPT DD statement**

The DFSUCKPT DD statement identifies the optional online image copy checkpoint data set. Keywords relating to this optional data set are replaced as follows:

##### **%DBNAME**

The database name

##### **%DBDDN**

The ddname

##### **%TIME**

The current time of day (in the form hhmmss)

The volume serial number and device type for the checkpoint data set are not specified in the IBM-supplied skeletal JCL. You must supply these if checkpoint data sets are to be used.

The DFSUCKPT DD statement is optional. If checkpoint data sets are not to be used by the Online Image Copy utility, the statement can be deleted.

**SYSD DD statement**

DBRC makes no changes to this statement.

**%ICSYSIN statement**

The Image Copy utility control statement replaces the %ICSYSIN keyword.

**Database Recovery utility JCL-image copy receive-tracking site (ICRCVJCL)**

The IBM-supplied skeletal JCL execution member for the Database Recovery utility (as used at the tracking site to receive the image copy) is named ICRCVJCL. ICRCVJCL is used when the GENJCL.RECEIVE command is issued. You can specify an execution member other than ICRCVJCL by using the RECVJCL parameter on the INIT.DBDS or CHANGE.DBDS commands.

The following is a listing of ICRCVJCL. A description of the statements in ICRCVJCL follows it.

```
//RCV%STPNO EXEC PGM=DFSRR00,REGION=1300K,
//          PARM='UDR,DFSURDB0,%DBNAME',,,,,,,,,,,,,,,,,,,,,,%GSGNAME'
//*
//*      THIS JCL ORIGINATES FROM THE USER'S 'JCLPDS' LIBRARY.
//*      KEYWORDS ARE REPLACED BY THE GENJCL FUNCTION OF
//*      THE IMS/V S DATA BASE RECOVERY CONTROL FEATURE.
//*
//*          JCL FOR IMAGE COPY RECEIVE
//*
//STEPLIB  DD DSN=IMSVS.RESLIB,DISP=SHR
//SYSPRINT DD SYSOUT=A
%DELETE (%RCNDSN1 EQ '')
//RECON1   DD DSN=%RCNDSN1,DISP=SHR
%ENDDDEL
%DELETE (%RCNDSN2 EQ '')
//RECON2   DD DSN=%RCNDSN2,DISP=SHR
%ENDDDEL
%DELETE (%RCNDSN3 EQ '')
//RECON3   DD DSN=%RCNDSN3,DISP=SHR
%ENDDDEL
//IMS      DD DSN=IMS.DBDLIB,DISP=SHR
//%DBDDN   DD DSN=%DBDSN,
%DELETE (%DBDSAM EQ 'VSAM')
//          UNIT=SYSDA,
//          VOL=SER=VOLSER,
//          SPACE=(CYL,(20,2)),
//          DISP=(NEW,KEEP),
//          DCB=BUFNO=10
%ENDDDEL
%DELETE (%DBDSAM NE 'VSAM')
//          DISP=OLD
%ENDDDEL
//DFSUDUMP DD DSN=%ICDSN,UNIT=%ICUNIT,
//          VOL=(PRIVATE,,,SER=(%ICVOLS)),
//          LABEL=(%ICFSEQ,SL),
//          DISP=(OLD,KEEP),DCB=BUFNO=10
%DELETE (%LOGSEL EQ 'YES')
//DFSULOG  DD DUMMY
%ENDDDEL
%DELETE (%CADSN NE '')
//DFSUCUM  DD DUMMY
%ENDDDEL
//DFSVSAMP DD *
1024,4
```

```
4096,4
//SYSIN      DD *
%RVSYSIN
/*
```

#### **EXEC statement**

The %STPNO keyword is replaced with the current step number; then the current step number is increased by 1. The %DBNAME keyword is replaced with the database name of the DBDS or area that is being received.

#### **STEPLIB DD statement**

DBRC makes no changes to this statement.

#### **SYSPRINT DD statement**

DBRC makes no changes to this statement.

#### **RECONn DD statements**

The RECON DD statements identify the RECON data sets.

Each of these statements is within a delete group that is controlled by a %RCNDSN keyword. The %RCNDSN keyword values are set from the RECON names that are used when the GENJCL command is executed.

- If RECON data sets are allocated dynamically, the %RCNDSN keywords are set to null, and the RECONn DD statements are deleted.
- If RECON data sets are allocated with JCL, the %RCNDSN keywords are set to the name of the corresponding RECON in the GENJCL command.
- If a RECON data set is not used when the GENJCL command is executed (for example, no spare RECON exists), the keyword is set to null, and the DD statement is deleted.

#### **IMS DD statement**

DBRC makes no changes to this statement.

#### **%DBDDN DD statement**

The %DBDDN keyword is replaced by the ddname of the DBDS that is being received. The %DBDSN keyword is replaced by the data set name of the DBDS or area.

Delete groups control the remainder of the %DBDDN DD statement. The access method of the DBDS controls the content of the delete groups. If the access method is VSAM, DISP=OLD is generated. Otherwise, the UNIT, VOL, SPACE, DISP, and DCB parameters are generated.

#### **DFSUDUMP DD statement**

This DD statement identifies the image copy data set that is to be received. The %ICDSN, %ICUNIT, %ICVOLS, and %ICFSEQ keywords are set from the appropriate fields in the image copy RECON record.

#### **DFSUCUM DD statement**

This DD statement is always listed as DUMMY at the tracking site.

#### **DFSULOG DD statement**

This DD statement is always listed as DUMMY at the tracking site.

#### **DFSVSAMP DD statement**

The DFSVSAMP DD statement identifies information that is required by the DL/I buffer handler. DBRC makes no changes to these statements.

#### **SYSIN DD statement**

This DD statement contains database recovery statements that control the processing.

### **%RVSYSIN statement**

DBRC replaces the %RVSYSIN keyword.

## **Database Recovery utility JCL (RECOVJCL)**

The IBM-supplied skeletal JCL execution member for the Database Recovery utility is named RECOVJCL. RECOVJCL is used when the GENJCL.RECOV command is issued. You can specify an execution member other than RECOVJCL by using the RECOVJCL parameter on the INIT.DBDS or CHANGE.DBDS commands.

The following is a listing of RECOVJCL. A description of the statements in RECOVJCL follows it.

```
%DELETE (%MDBNAME NE '')
//RCV%STPNO EXEC PGM=DFSRRC00,REGION=1300K,
//          PARM='UDR,DFSURDB0,%DBNAME,,,,,,,,,,,,,%GSGNAME'
%ENDDDEL
%DELETE (%MDBNAME EQ '')
//RCV%STPNO EXEC PGM=DFSRRC00,REGION=1300K,
//          PARM='UDR,DFSURDB0,
%ENDDDEL
//*
//*
//*      THIS JCL ORIGINIATES FROM THE USER'S 'JCLPDS' LIBRARY.
//*      KEYWORDS ARE REPLACED BY THE GENJCL FUNCTION OF
//*      THE IMS/V S DATA BASE RECOVERY CONTROL FEATURE.
//*
//*      JCL FOR RECOVERY.
//*
//STEPLIB DD DSN=IMSVS.SDFSRESL,DISP=SHR
//SYSPRINT DD SYSOUT=A
%DELETE (%RCNDSN1 EQ '')
//RECON1 DD DSN=%RCNDSN1,DISP=SHR
%ENDDDEL
%DELETE (%RCNDSN2 EQ '')
//RECON2 DD DSN=%RCNDSN2,DISP=SHR
%ENDDDEL
%DELETE (%RCNDSN3 EQ '')
//RECON3 DD DSN=%RCNDSN3,DISP=SHR
%ENDDDEL
//IMS DD DSN=IMS.DBDLIB,DISP=SHR
//%DBDDN DD DSN=%DBDSN,
%DELETE (%DBDSAM EQ 'VSAM' | %SMS EQ '1')
//          UNIT=SYSDA,
//          VOL=SER=VOLSER,
//          SPACE=(CYL,(20,2)),
//          DISP=(NEW,KEEP),
//          DCB=BUFNO=10
%ENDDDEL
%DELETE (%DBDSAM EQ 'VSAM' | %SMS EQ '0')
//          UNIT=SYSDA,
//          VOL=SER=VOLSER,
//          SPACE=(CYL,(20,2)),
//          DISP=(NEW,KEEP)
%ENDDDEL
%DELETE (%DBDSAM NE 'VSAM')
//          DISP=OLD
%ENDDDEL
%DELETE (%ICDSN EQ '')
//DFSUDUMP DD DSN=%ICDSN,
%ENDDDEL
%DELETE (%ICCAT EQ 'YES')
//          UNIT=%ICUNIT,
//          VOL=(PRIVATE,,,SER=(%ICVOL)),
//          LABEL=(%ICFSEQ,SL),
```

```

%ENDDDEL
%DELETE (%ICDSN EQ '' | %SMS EQ '1')
//          DISP=(OLD,KEEP),DCB=BUFNO=10
%ENDDDEL
%DELETE (%ICDSN EQ '' | %SMS EQ '0')
//          DISP=(OLD,KEEP)
%ENDDDEL
%DELETE (%ICDSN NE '')
//DFSUDUMP DD DUMMY
%ENDDDEL
//DFSVDUMP DD DUMMY
%DELETE (%CADSN EQ '')
//DFSUCUM  DD DSN=%CADSN,UNIT=%CAUNIT,
//          VOL=(PRIVATE,,,SER=(%CAVOL)),
//          LABEL=(%CAFSEQ,SL),
//          DISP=(OLD,KEEP),DCB=BUFNO=10
%ENDDDEL
%DELETE (%CADSN NE '')
//DFSUCUM  DD DUMMY
%ENDDDEL
%SELECT RLDS((%DBNAME,%DBDDN),FROM(%DSLLGTM))
%DELETE (%LOGVOLS EQ '')
//DFSULOG  DD DSN=%LOGDSN,UNIT=%LOGUNIT,
//          VOL=(PRIVATE,,,%LOGVSEQ,,SER=(%LOGVOLS)),
//          LABEL=(%LOGFSEQ,SL),
//          DCB=RECFM=VB,
//          DISP=OLD
%ENDDDEL
%DELETE (%LOGVOLS NE '')
//DFSULOG  DD DSN=%LOGDSN,DISP=OLD
%ENDDDEL
%ENDSEL
%DELETE (%LOGSEL EQ 'YES')
//DFSULOG  DD DUMMY
%ENDDDEL
%DELETE (%TRACK EQ 'NO')
//DFSTRCV  DD DSN=?????,
//          DISP=OLD
%ENDDDEL
//DFSVSAMP DD *
1024,4
4096,4
//SYSIN    DD *
%RCSYSIN
/*

```

#### **EXEC statement**

The %STPN0 keyword is replaced with the current step number; then the current step number is increased by 1. For HALDB, the HALDB master name, %MDBNAME, of the DBDs being recovered is used in the EXEC statement. For all others, the database name, %DBNAME, is used.

#### **STEPLIB DD statement**

DBRC makes no changes to this statement.

#### **SYSPRINT DD statement**

DBRC makes no changes to this statement.

#### **RECONn DD statements**

The RECON DD statements identify the RECON data sets.

Each of these statements is within a delete group that is controlled by a %RCNDSN keyword. The %RCNDSN keyword values are set from the RECON names that are used when the GENJCL command is executed.

- If RECON data sets are allocated dynamically, the %RCNDSN keywords are set to null, and the RECONn DD statements are deleted.

- If RECON data sets are allocated with JCL, the %RCNDSN keywords are set to the name of the corresponding RECON in the GENJCL command.
- If a RECON data set is not used when the GENJCL command is executed (for example, no spare RECON exists), the keyword is set to null, and the DD statement is deleted.

**IMS DD statement**

DBRC makes no changes to this statement.

**%DBDDN DD statement**

The %DBDDN keyword is replaced by the ddname of the DBDS that is being recovered. The %DBDSN keyword is replaced by the data set name of the DBDS.

Delete groups control the remainder of the %DBDDN DD statement. The access method of the DBDS controls the content of the delete groups. If the access method is VSAM, DISP=OLD is generated. Otherwise, the UNIT, VOL, SPACE, DISP, and DCB parameters are generated.

**DFSUDUMP DD statement**

This DD statement identifies the image copy data set, if any, that is to be used for recovery. Delete groups, which are controlled by the %ICDSN keyword, are used to generate this DD statement.

If the USEIC parameter was specified or if it was the default, on the GENJCL.RECOV command, the %ICDSN keyword is set to its data set name. Thus, the first delete group for DFSUDUMP is used, and the second delete group is deleted. Other keywords within the first delete group are unchanged.

If the USEDBDS or USEAREA keyword was specified on the GENJCL.RECOV command, the DFSUDUMP DD statement is generated as DUMMY.

**DFSVDUMP DD statement**

The DFSVDUMP DD statement is always generated as DUMMY.

**DFSUCUM DD statement**

This DD statement identifies the change accumulation data set, if any, to be used as input to recovery. Delete groups, which are controlled by the %CADSN keyword, are used to generate the DFSUCUM DD statement. If the DBDS belongs to a CA group, the %CADSN keyword is set to the data set name of the most-recent change accumulation data set. If the DBDS does not belong to a CA group or if no usable change accumulation data set exists, the %CADSN keyword is set to null.

- If the %CADSN keyword is null, the DFSUCUM DD statement is generated as DUMMY.
- If the %CADSN keyword is not null, the DFSUCUM DD statement identifies the change accumulation data set.

Other keywords relating to the change accumulation data set are replaced as follows:

**%CAVOLS**

Volume serial number list

**%CAUNIT**

Unit type

**%CAFSEQ**

File sequence number

**DFSULOG DD statement**

This DD statement identifies the log data sets that are to be used as input to the Database Recovery utility.

A select group selects the required log data sets. The %DBNAME and %DBDDN keywords identify the DBDS for which log data sets are to be selected. All log volumes that contain change records for the DBDS, that are not included in the change accumulation data sets, are selected. Other keywords relating to the log data sets are replaced as follows:

**%LOGDSN**

Log data set name

**%LOGUNIT**

Unit type

**%LOGVSEQ**

Volume sequence number

**%LOGVOLS**

Volume serial numbers

**%LOGFSEQ**

File sequence number

If any log data sets are selected, the value of the %LOGSEL keyword is YES, and the following delete group is deleted. Otherwise, the %LOGSEL keyword is NO, and a DD DUMMY statement is generated.

**DFSTRCV DD statement**

The DFSTRCV DD statement identifies the DBDS for which one or more tracks is being recovered. If the TRACK parameter was not specified on the GENJCL command, this statement does not appear in the generated JCL.

You must modify the DFSTRCV DD statement to include in it the appropriate data set name and unit information. You can modify it in either the skeletal JCL or generated JCL.

**DFSVSAMP DD statement**

The DFSVSAMP DD statement identifies information required by the DL/I buffer handler. DBRC makes no changes to these statements.

**SYSIN DD statement**

This DD statement contains database recovery statements that control the processing.

**%RCSYSIN statement**

DBRC replaces the %RCSYSIN keyword.

**%RCVFULL**

The %RCVFULL keyword indicates what type of recovery is being generated. It is set to NO when the RCVTIME parameter (time-stamp recovery) is specified on the GENJCL.RECOV command. It is set to YES to indicate full recoveries.

This keyword is useful if, for example, you want to turn ON the IC-NEEDED flag in the DBDS record following a time-stamp recovery. You could add the following JCL to the end of your RECOVJCL skeletal JCL member to accomplish this.

```
%DELETE (%RCVFULL EQ 'YES')
//RCV%STPNO EXEC PGM=DSPURX00
//STEPLIB DD DSN=IMS.SDFSRESL,DISP=SHR
%ENDDDEL
%DELETE (%RCVFULL EQ 'YES' | %RCNDSN1 EQ '')
//RECON1 DD DSN=%RCNDSN1,DISP=SHR
%ENDDDEL
%DELETE (%RCVFULL EQ 'YES' | %RCNDSN2 EQ '')
//RECON2 DD DSN=%RCNDSN2,DISP=SHR
%ENDDDEL
```

```

%DELETE (%RCVFULL EQ 'YES' | %RCNDSN3 EQ '')
//RECON3 DD DSN=%RCNDSN3,DISP=SHR
%ENDDDEL
%DELETE (%RCVFULL EQ 'YES')
//SYSIN DD *
CHANGE.DBDS DBD(%DBNAME) DDN(%DBDDN) ICON
/*
%ENDDDEL

```

## HALDB Index/ILDS Rebuild utility JCL (DSPUPJCL)

DFSPREC0 is used to rebuild the ILDS or primary index data sets (or both) of a HALDB partition.

The Database Recovery utility and the image copy utilities cannot be used on ILDS and primary index data sets. The GENJCL.RECOV, GENJCL.RECEIVE, GENJCL.IC, and GENJCL.OIC commands fail when attempted specifically for ILDS and primary index data sets. GENJCL commands on groups, either explicit (using the GROUP keyword) or implicit (DBD with no DDN keyword), do not generate any JCL for ILDS or primary index data sets. These data sets are ignored. GENJCL.USER can specify ILDS and primary index data sets. The ILDS and primary index data sets are not ignored for this command.

After a time-stamp recovery of a HALDB partition (the data DBDSs of the HALDB partition), the applicable ILDS or primary index data sets (or both) must be rebuilt. There is no specific GENJCL support for these data sets, but the GENJCL.USER command can be used. The IBM-supplied skeletal JCL execution member is named DSPUPJCL. Here is a suggestion for implementation:

```

GENJCL.USER MEMBER (DSPUPJCL) -
      USERKEYS ((%MDBNAME, 'DBHDOJ01'),(%DBNAME,'PART1'), -
                (%RCVTYP, 'ILE'))

```

The following is a listing of DSPUPJCL. A description of the statements in DSPUPJCL follows it.

```

//UPREC%STPNO EXEC PGM=DFSRR00,REGION=1300K,
//          PARM='ULU,DFSPREC0,%MDBNAME,,,,,,,,,,,,,Y,N'
//*
//*****
//*
//*   THIS JCL ORIGINATES FROM THE USER'S 'JCLPDS' LIBRARY.
//*   KEYWORDS ARE REPLACED BY THE GENJCL FUNCTION.
//*
//*           User JCL for rebuilding either the index or ILDS data set, or
//*           BOTH data sets for a HALDB partition.
//*
//SYSPRINT DD SYSOUT=A
%DELETE (%RCNDSN1 EQ '')
//RECON1 DD DSN=%RCNDSN1,DISP=SHR
%ENDDDEL
%DELETE (%RCNDSN2 EQ '')
//RECON2 DD DSN=%RCNDSN2,DISP=SHR
%ENDDDEL
%DELETE (%RCNDSN3 EQ '')
//RECON3 DD DSN=%RCNDSN3,DISP=SHR
%ENDDDEL
//IMS DD DSN=IMS.DBDLIB,DISP=SHR
//DFSVSAMP DD DSN=IMS.VSAM.PARM(OPTIONS),DISP=SHR
//SYSIN DD *
PARTITION=%DBNAME,RECOVTYP=%RCVTYP
/*

```



**EXEC statement**

The %STPN0 keyword is replaced with the current step number; then the current step number is increased by 1. The %MDBNAME keyword is replaced with the HALDB master name of the DBDS that is being recovered.

**SYSPRINT DD statement**

DBRC makes no changes to this statement.

**RECONn DD statements**

The RECON DD statements identify the RECON data sets.

Each of these statements is within a delete group that is controlled by a %RCNDSN keyword. The %RCNDSN keyword values are set from the RECON names that are used when the GENJCL command is executed.

- If RECON data sets are allocated dynamically, the %RCNDSN keywords are set to null, and the RECONn DD statements are deleted.
- If RECON data sets are allocated with JCL, the %RCNDSN keywords are set to the name of the corresponding RECON in the GENJCL command.
- If a RECON data set is not used when the GENJCL command is executed (for example, no spare RECON exists), the keyword is set to null, and the DD statement is deleted.

**IMS DD statement**

DBRC makes no changes to this statement.

**DFSVSAMP DD statement**

The DFSVSAMP DD statement identifies information required by the DL/I buffer handler. DBRC makes no changes to these statements.

**SYSIN DD statement**

This DD statement contains database recovery statements that control the processing.


**PARTITION=%DBNAME**

This statement indicates the HALDB partition name of the ILDS or primary index data sets being rebuilt.

**RECOVTYP=%RCVTYP**

This statement indicates which type of data sets (ILDS, primary index, or both) the DFSPRECO utility is rebuilding. It also indicates whether the utility is rebuilding the ILDS in VSAM load mode (to include free space) by providing the free space option parameter (ILEF or BOTHF).

**Related reference:**

 Database Change Accumulation utility (DFSUCUM0) (Database Utilities)



---

## Chapter 14. INIT commands

Use the INIT command to create various records in the RECON data set.

---

### INIT.ADS command

Use the INIT.ADS command to create an entry in the RECON data set that defines an ADS (area data set) for an area. You can also use the command to define the data sets needed by the DEDB Alter utility. An area can include up to seven data sets and seven shadow data sets (for DEDB Alter).

For the DEDB Alter utility's ALTERAREA function, the INIT.ADS command is used with the SHADOW and IC options to define 1 to 6 shadow area data sets and 1 shadow image copy data set. The maximum total shadow data sets (shadow area data sets and shadow image copy data sets) is 7.

For the DEDB Alter utility's ADDAREA function, the INIT.ADS command is used without the SHADOW and IC options to define 1 to 7 active area data sets for shadow areas.

An area being added by the ADDAREA function is registered as a shadow area. The area data sets for the shadow area are registered as standard (active) area data sets. Shadow area data sets might be registered for the shadow area, but the ADDAREA function uses the active area data sets and ignores the shadow area data sets.

Before you issue the INIT.ADS command, you must create the area and database records in the RECON data set. Use the INIT.DBDS command to register the area.

**Note:** If the ADDN or ADSN names are not unique for this area, the INIT.ADS command fails.

When you register the area, the area status is set as “recovery needed” to prevent inadvertent use by the IMS online system before you have completed registration of the required ADSs.

While an area has a recovery needed status, you can create the ADS records in the RECON data set, but you must create them as unavailable by issuing the command INIT.ADS UNAVAIL. Shadow area data sets can be defined at any time, as long as the DEDB Alter utility is not currently running for the identified area.

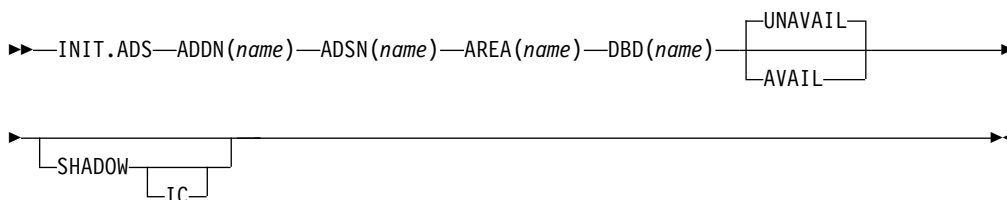
However, you can create an ADS that is immediately available if you first remove the recovery needed status from the area with the CHANGE.DBDS NORECOV command and then create the ADS by issuing the command INIT.ADS AVAIL.

A separate INIT.ADS command must be issued for each area data set that is registered for the area.

Subsections:

- “Syntax” on page 304
- “Keywords” on page 304
- “Examples” on page 304

## Syntax



## Keywords

### ADDN(*name*)

Required keyword you use to identify the ADS that is being identified to DBRC by its ddname.

### ADSN(*name*)

Required keyword you use to identify the ADS that is being identified to DBRC by its data set name.

### AREA(*name*)

Required keyword you use to identify the area name for which an ADS is being identified to DBRC.

### DBD(*name*)

Required keyword you use to identify that area by database name for which an ADS is being identified to DBRC.

### UNAVAIL | AVAIL

Mutually exclusive, optional keywords that you use to indicate whether the ADS record is available.

#### UNAVAIL

Makes the ADS status unavailable.

#### AVAIL

Makes the ADS status available. The INIT.ADS AVAIL command fails if you issue it when the area is in use or if the area needs to be recovered.

### SHADOW

Optional keyword used to register 1-7 active area data sets in the RECON data set, to be used for the DEDB Alter utility.

**IC** Optional keyword that specifies that a shadow area data set is to be defined as a shadow image copy data set. This keyword is valid only when the SHADOW keyword is also specified.

**Recommendation:** Increasing the image copy data set GENMAX value by one or two before running the DEDB Alter utility can help accommodate the user image copy data set. You can decrease the image copy data set GENMAX value to restore it to its original value at a later time.

## Examples

Here are some examples of using the INIT.ADS command.

*Examples of creating a record that defines an ADS*

In the following examples, a record that identifies an ADS is created in the RECON data set.

```
//INITADS JOB
:
//SYSIN DD *
INIT.ADS DBD(DBD03) AREA(AREA03) -
ADDN(AREADDN1) ADSN(AREADSN2)
/*
```

### *Example of creating a record that defines MADs*

In this example, a record is created in the RECON data set that identifies multiple area data sets (MADs) that are associated with the same DEDB area (DB21AR0).

```
INIT.DB DBD(DEDBJN21) SHARELVL(1) TYPEFP
INIT.DBDS DBD(DEDBJN21) AREA(DB21AR0) GENMAX(2) VSO PRELOAD
INIT.ADS DBD(DEDBJN21) AREA(DB21AR0) ADSN(IMSTESTL.DB21AR01) -
ADDN(DB21AR01)
INIT.ADS DBD(DEDBJN21) AREA(DB21AR0) ADSN(IMSTESTL.DB21AR02) -
ADDN(DB21AR02)
INIT.ADS DBD(DEDBJN21) AREA(DB21AR0) ADSN(IMSTESTL.DB21AR03) -
ADDN(DB21AR03)
```

### *Examples of defining shadow area data sets*

In the following example, records are created in the RECON data set that identify the shadow ADS and shadow image copy ADS that are used by the ALTRAREA function of the DEDB Alter utility.

```
//INITADS JOB
:
//SYSIN DD *
INIT.ADS DBD(DEDBJ001) AREA(D0010001) ADDN(D001001S) -
ADSN(IMSTESTS.D0010001.SHADOW) SHADOW
INIT.ADS DBD(DEDBJ001) AREA(D0010001) ADDN(D001001I) -
ADSN(IMSTESTS.D0010001.SHADOW.IC) SHADOW IC
/*
```

---

## **INIT.CA command**

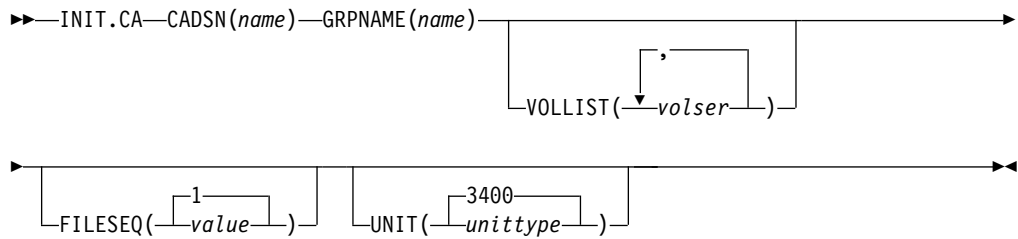
Use the INIT.CA command to create a record in the RECON data set that identifies a change accumulation data set. This data set can be used by the Change Accumulation utility to process a CA group.

You can create such change accumulation records only for those CA groups that have been defined with the REUSE option of the INIT.CAGRP command. You can create change accumulation records in the RECON data set up to the number specified in the GRPMAX keyword of the INIT.CAGRP command that you used to define the CA group.

Subsections:

- "Syntax"
- "Keywords" on page 306
- "Example of creating a record that defines a CA data set" on page 306

### **Syntax**



## Keywords

### CADSN(*name*)

Required keyword you use to specify the name of the change accumulation data set for which you are creating a record in the RECON data set. The name you substitute in the variable field can be up to 44 characters. You can use the default naming convention for change accumulation data sets to assign this name.

### GRPNAME(*name*)

Required keyword you use to specify the name of the CA group for which you are creating the record. The GRPNAME keyword must specify the name of a CA group that is already defined in the RECON data set.

### VOLLIST(*volser*)

Optional keyword you use to specify the volume serial numbers of the volumes on which the change accumulation data set being defined is to reside. You can substitute from 1 to 255 volume serial numbers in the variable field. Each volume serial number can be up to 6 alphanumeric characters long, and must follow z/OS JCL conventions for volume serial numbers.

**Attention:** VOLLIST is required if the change accumulation data set is not to be treated as cataloged, as indicated in the RECON status record.

### FILESEQ(1 | *value*)

Optional keyword you use to specify the file sequence number of the change accumulation data set that is being defined. If you specify the FILESEQ keyword with a value greater than 1, you must also specify the VOLLIST keyword.

*value* must be a decimal number from 1 to 9999.

### UNIT(3400 | *unittype*)

Optional keyword you use to specify the unit type of the volumes on which the change accumulation data set is to reside. *unittype* can be up to 8 alphanumeric characters.

If you specify the UNIT keyword, you must also specify the VOLLIST keyword.

## Example of creating a record that defines a CA data set

In this example, a record is created in the RECON data set that identifies a change accumulation data set (identified by the CADSN keyword). This change accumulation data set is being created for use by a subsequent run of the Change Accumulation utility for the CA group identified in the GRPNAME keyword. Creation of this record implies that the identified CA group was defined with a REUSE keyword.

```

//INITCA JOB
:
//SYSIN DD *
INIT.CA GRPNAME(CAGRP1) -
        CADSN(IMS.CAGRP1.CA.CA001) -
        VOLLIST(VOL001) FILESEQ(4)
/*

```

## INIT.CAGRP command

Use the INIT.CAGRP command to specify the names of the DBDSs that will belong to a specified CA group.

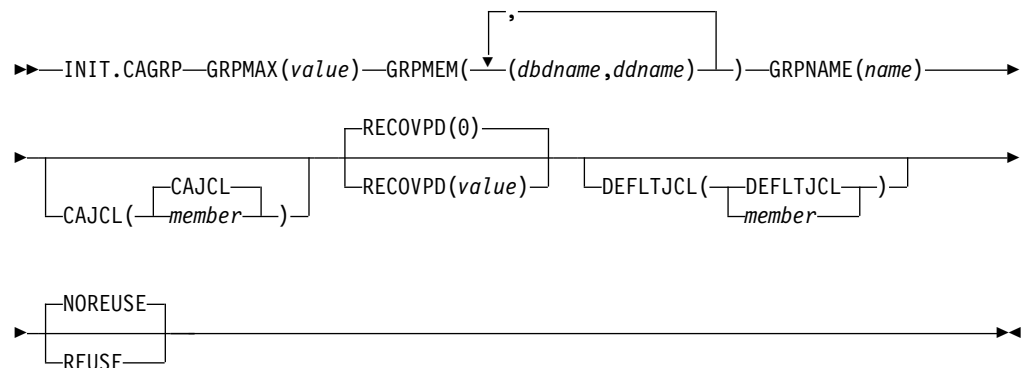
Before you assign a DBDS to a CA group, you must first use the INIT.DBDS command to create a record for the DBDS in the RECON data set. Each DBDS can belong to only one CA group.

**Restriction:** Index DBDSs and ILDS DBDSs are not recoverable, and changes to them are not logged. The INIT.CAGRP command does not support these data sets.

Subsections:

- “Syntax”
- “Keywords”
- “Example of creating a CA group” on page 309

### Syntax



### Keywords

#### GRPMAX (*value*)

Required keyword you use to specify the maximum number of change accumulation data sets that DBRC is to maintain for the specified CA group. *value* must be a decimal number from 2 to 1024.

When the number of times you run the Change Accumulation utility for the specified group exceeds the GRPMAX value, the record with the stop time of the earliest change accumulation execution record beyond the recovery period for the group is deleted if you specify the NOREUSE keyword for this CA group. The record with the stop time of the earliest change accumulation execution record beyond the recovery period is reused if you specify the REUSE keyword for this CA group.

**GRPMEM**(*dbdname, ddname*)

Required keyword you use to specify the names of the DBDSs that are to be members of the CA group you are defining.

A CA group can contain from 1 to 32 767 members. The names you substitute in the variable field must be pairs of names enclosed in parentheses, where *dbdname* is the database name of the DBDS, and *ddname* is the data set ddname or Fast Path area name. When using the INIT.CAGRP command for HALDB databases, *dbdname* specifies the name of a HALDB partition.

**Restriction:** User-recoverable databases cannot be added to a CA group.

**GRPNAME**(*name*)

Required keyword you use to specify the name of the CA group being created. *name* can be up to eight alphanumeric characters, and it must not be the same as the name of a CA group that already exists in the RECON data set.

**CAJCL**(**CAJCL** | *member*)

Optional keyword you use to specify the name of a member of a partitioned data set of skeletal JCL. You create this member to be used to generate the JCL required to run the Change Accumulation utility for the CA group being created.

**RECOVPD**(**0** | *value*)

Optional keyword you use to set the recovery period for a specified CA group. The recovery period is the amount of time before the current date for which DBRC maintains change accumulation information in the RECON data set. For example, if the recovery period of a change accumulation group is 14 days, DBRC maintains sufficient change accumulation execution records for at least 14 days based on the stop time of the change accumulation execution record.

The recovery period is calculated as the current date minus the stop time date of the oldest change accumulation execution record. If the change accumulation execution records are dated within the days specified in RECOVPD(*value*), DBRC keeps them in the RECON data set.

For *value*, specify a decimal number from 0 to 999 that represents the number of days the change accumulation execution records are kept in the RECON data set. If you specify 0 (the default), there is no recovery period.

**DEFLTJCL**(**DEFLTJCL** | *member*)

Optional keyword you use to specify an implicit skeletal JCL default member for the CA group. The specified member is used by the GENJCL.CA command to resolve keywords you have defined.

**NOREUSE** | **REUSE**

Mutually exclusive, optional keywords that you use to specify whether the change accumulation data sets for the CA group being defined can be reused.

**NOREUSE**

Indicates that the change accumulation data sets in this group are not to be reused by the Change Accumulation utility.

**REUSE**

Indicates that the Change Accumulation utility is to reuse the oldest change accumulation data set and record (for the group being defined) when the GRPMAX value for the group is exceeded. Reuse means that the Change Accumulation utility uses the same physical space, volumes, data set name, and record in the RECON data set for the new change accumulation data set as were used for the oldest change accumulation data set in the group.



## Example of creating a CA group

In this example, a CA group is being created. As indicated in the GRPMAX keyword, a maximum of 15 change accumulation data sets are to be maintained for this group. As indicated in the RECOVPD keyword, a retention period of 60 days is set for this group. The NOREUSE keyword indicates that change accumulation data sets for this group are not to be reused by the Change Accumulation utility when the GRPMAX value has been reached. That keyword also implies that empty change accumulation data sets cannot be defined for this group for use in future runs of the Change Accumulation utility.

```
//INITCAGP JOB
:
//SYSIN DD *
INIT.CAGRP GRPNAME(CAGRP1) GRPMAX(15) RECOVPD(60) NOREUSE -
          GRPMEM((DB1,DD1) (DB2,DD2) (DB3,DD3) -
          (DB4,DD4) (DB5,DD5) (DB6,DD6) (DB7,DD7) -
          (DB8,DD8) (DB9,DD9) (DB10,DD10)) -
/*
```

### Related concepts:

[Recovery period of change accumulation data sets and GRPMAX \(System Administration\)](#)

---

## INIT.DB command

Use the INIT.DB command to register a database with DBRC and specify various characteristics of the database.

A database must be registered with DBRC before you can initialize a new DBDS, HALDB partition, or DEDB area with the INIT.DBDS command or INIT.PART.

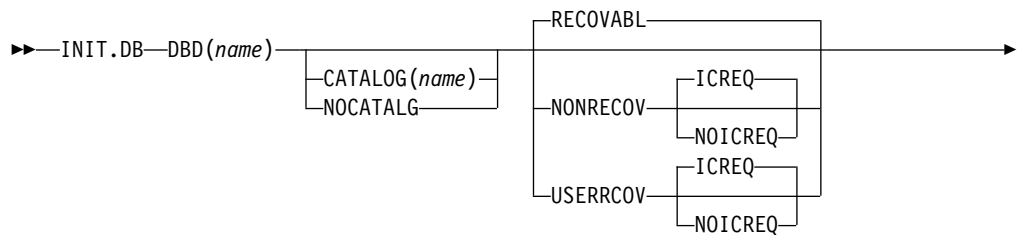
When you issue the INIT.DB command for a HALDB partition (TYPE=PART), the following fields are set as defaults:

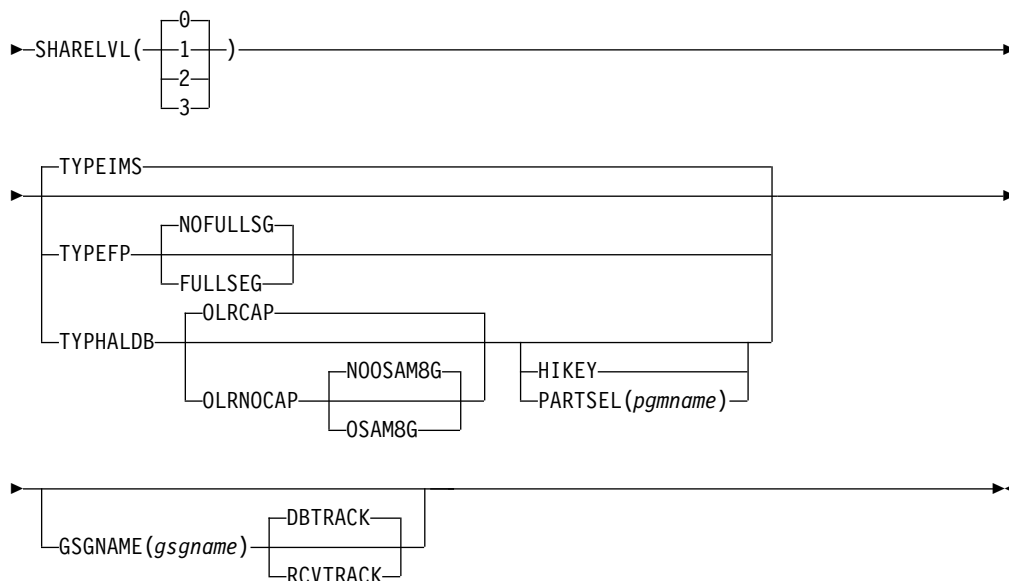
- OLREORG CURSOR ACTIVE =NO
- OLRIMSID=\*\*NULL\*\*
- ACTIVE DBDS=A-J

Subsections:

- "Syntax"
- "Keywords" on page 310
- "Example of creating a SHARELVL 1 DB record" on page 314

### Syntax





## Keywords

### DBD (*name*)

Required keyword that you use to specify the database name of the database to be registered in the RECON data set.

**Restriction for HALDB databases:** For the INIT.DB command, *name* specifies the name of a HALDB master database.

### CATALOG (*name*) | NOCATALG

Mutually exclusive, optional parameters that you use to indicate whether an IMS catalog is to be used during the INIT.DB command. If these parameters are omitted then IMS uses the IMS catalog that is named in the RECON header. If the IMS catalog name in the RECON is null, then DBRC uses the DBDLIB.

#### CATALOG (*name*)

Specifies that the INIT.DB command uses the specified IMS catalog instead of the DBD library.

Specify *name* as an eight-character alphanumeric string that matches the name of a HALDB IMS catalog database that is registered in the RECON data set. Any IMS catalog name that is less than eight-characters is padded with blanks.

The IMS catalog name is validated during the INIT.DB command. If the catalog does not exist or is not defined as a HALDB database, the command fails.

#### NOCATALG

Specifies that the INIT.DB command uses the DBD library instead of the IMS catalog.

### RECOVABL | NONRECOV | USERRCOV

Mutually exclusive, optional keywords that are used to specify whether DBRC can record the updates in the RECON for the data sets of the specified databases.

**RECOVABL**

Specifies that the update allocations on the database are to be written in the RECON data set.

**NONRECOV**

Specifies that no record of the updates for the data sets of the specified database are to be kept in the RECON data set. The effect of the NONRECOV keyword for full-function databases is different from that for Fast Path databases. When NONRECOV is specified for full-function databases, IMS logs backout information. When NONRECOV is specified for Fast Path databases, IMS does not log backout information.

**ICREQ | NOICREQ**

Mutually exclusive, optional keywords that are used to specify whether DBRC should enforce the requirement of taking an image copy of a nonrecoverable or user-recoverable database after it has been loaded or reorganized. This option affects all DBDSs within the DB.

**ICREQ**

Default value that turns on IC NEEDED in the DBDS record and increments the IMAGE COPY NEEDED COUNT in the DB record following initial load (PROCOPT=L) or reorganization of the DBDS.

**NOICREQ**

Turns off the IC NEEDED requirement. DBRC will not turn on IC NEEDED in the DBDS record or increment the IMAGE COPY NEEDED COUNT in the DB record following initial load or REORG of the DBDS. The IC NEEDED flag can still be set manually with the CHANGE.DBDS ICON command.

**USERRCOV**

Specifies that update allocations for the Fast Path database are not to be recorded in the RECON data set. Database updates are logged, however, DBRC will not be able to manage recovery for the database. Recovery is allowed with JCL manually generated by the user. This keyword is only valid for TYPEFP.

USERRCOV cannot be specified for an RSR-covered database.

**Notes:**

1. USERRCOV should only be used if a critical need to reduce database open time exists and recoverability is required.
2. USERRCOV requires the user to provide their own manually created JCL for change accumulation and recovery.

**ICREQ | NOICREQ**

Mutually exclusive, optional keywords that are used to specify whether DBRC should enforce the requirement of taking an image copy of a nonrecoverable or user-recoverable database after it has been loaded or reorganized. This option affects all DBDSs within the DB.

**ICREQ**

Default value that turns on IC NEEDED in the DBDS record and increments the IMAGE COPY NEEDED COUNT in the DB record following initial load (PROCOPT=L) or reorganization of the DBDS.

**NOICREQ**

Turns off the IC NEEDED requirement. DBRC will not turn on IC

NEEDED in the DBDS record or increment the IMAGE COPY NEEDED COUNT in the DB record following initial load or REORG of the DBDS. The IC NEEDED flag can still be set manually with the CHANGE.DBDS ICON command.

**Restrictions:**

- If the database is registered as RECOVABL or USERRCOV, VIO or DD DUMMY data sets cannot be used for the output log (IEFRDER) in any job that updates the database. Temporary log data sets, such as VIO data sets, are deleted at job termination, so they are not usable for recovery.
- NONRECOV or USERRCOV cannot be specified if GSGNAME is specified.
- You cannot make concurrent image copies of nonrecoverable or user-recoverable databases.

**SHARELVL(0 | 1 | 2 | 3)**

Optional keyword that you use to specify the level of data sharing for which authorized subsystems can share a database.

**Restrictions:**

- You must specify a share level of 1, 2, or 3 for concurrent image copies.
- If you are using IRLM, and specified a share level 2 or 3, ensure that the VSAM SHAREOPTIONS (3 3) keyword is also specified in the database data set.

**TYPEIMS | TYPEFP | TYPHALDB**

Mutually exclusive, optional keywords that you use to specify whether the database is a full function, Fast Path DEDB, or a HALDB.

**TYPEIMS**

Specifies that the database is a DL/I database (non-HALDB).

**TYPEFP**

Specifies that the database is Fast Path DEDB.

The GSGNAME keyword cannot be specified if TYPEFP is specified.

**NOFULLSG | FULLSEG**

Mutually exclusive, optional keywords that specify whether the full segment image is logged in the X'5950' log record when the segment is updated by a Replace (REPL) call. These keywords are valid only for Fast Path DEDBs. This setting is saved in the database record for this DEDB and is used as the default setting for any areas that are registered later for this DEDB.

**NOFULLSG**

Indicates that only the updated portion of a segment is to be logged. This is the default.

**FULLSEG**

Indicates that the full segment image is to be logged.

**TYPHALDB**

Specifies that the database is a DL/I database (HALDB).

|  
|  
|  
|  
|

When INIT.DB TYPHALDB is issued, DBRC requires access to the database definition. If the IMS system manages ACBs, the definitions are retrieved from the IMS catalog and the name of the IMS catalog must be defined in the RECON header or the INIT.DB command itself. If the IMS system uses

DBD, PSB, and ACB libraries, the IMS DBDLIB data set must be identified in the job stream for the Database Recovery Control utility (DSPURX00) with a ddname of IMS.

The following additional keywords can be specified only when TYPHALDB is specified:

**OLRCAP | OLRNOCAP**

Mutually exclusive, optional keywords that are used to indicate that HALDB OLR is allowed to run on that database.

**OLRCAP**

Specifies in the master database record and in the partition database record that HALDB OLR is allowed to run on that database. This is the default (except for a PSINDEX, which is always OLRNOCAP).

**OLRNOCAP**

Specifies in the master database record and in the partition database record that HALDB OLR is not allowed to run on that database.

**NOOSAM8G | OSAM8G**

Mutually exclusive, optional keywords that specify in the master database record whether a HALDB PHDAM or PHIDAM database supports up to 4 or 8 gigabytes of data in OSAM database data sets. These keywords are valid only for HALDB master databases.

**NOOSAM8G**

Specifies that the maximum capacity of OSAM data sets is 4 gigabytes of data. This is the default.

**OSAM8G**

Specifies that the maximum capacity of OSAM data sets is 8 gigabytes of data. Only a database that is not OLR capable can be OSAM8G. When you specify OSAM8G, you must also specify OLRNOCAP.

**HIKEY | PARTSEL(*pgmname*)**

Mutually exclusive, optional keywords that you use to identify whether the HALDB uses a Partition Selection Exit or high key values. This setting determines whether the KEYSTRNG keyword on the INIT.PART command defines a partition selection exit string or a high key value. These keywords are valid only with TYPHALDB.

**PARTSEL(*pgmname*)**

Specifies the name of the Partition Selection Exit program to be used for the HALDB. The *pgmname* value is specified as a value up to 8 characters long that is a valid program name.

**HIKEY**

Specifies that this HALDB uses high key values.

If both PARTSEL and HIKEY are omitted, the HALDB will use the Partition Selection Exit module name (PSNAME) from the HALDB DBD. If no Partition Selection Exit module name was specified in the DBD, the HALDB will use high key values.

**GSGNAME** (*gsgname*)

Optional keyword that is used to specify to which global service group a database is to be assigned.

**Restriction:** GSGNAME cannot be specified if TYPEFP is specified.

**DBTRACK | RCVTRACK**

Mutually exclusive, optional keywords that specify the type of tracking (shadowing) for a database that is assigned to a global service group.

**DBTRACK**

Indicates database readiness tracking. Specifying DBTRACK has no effect if the tracking subsystem is a recovery readiness level (RLT) subsystem.

**RCVTRACK**

Indicates recovery readiness tracking.

**Example of creating a SHARELVL 1 DB record**

In this example, a new database record is created in the RECON data set. This database has a share level of 1.

```
//INITDB JOB
:
//SYSIN DD *
      INIT.DB DBD(THISDB) SHARELVL(1) TYPEFP
/*
```




**Example using the DBDLIB instead of the default catalog name**

```
//INITDB JOB
:
//IMS DD DSN=IMS.DBDLIB,DISP=SHR
//SYSIN DD *
      INIT.DB DBD(DBD002) NOCATALG
/*
```


**Example using the catalog name GREGCD00 instead of the default catalog name**

```
//INITDB JOB
:
//SYSIN DD *
      INIT.DB DBD(DBD002) CATALOG(GREGCD00)
/*
```

**Related concepts:**

-  Coordinating VSAM data set definitions with share options (System Administration)
-  Levels of data sharing (System Administration)
-  Nonrecoverable full-function databases (Database Administration)

**Related reference:**

-  /RMxxxxxx commands (Commands)
- “INIT.PART command” on page 326
- “INIT.DBDS command” on page 315
- “LIST.DB command” on page 346

## INIT.DBDS command

Use the INIT.DBDS command to register a DBDS or DEDB area.

The DBDS must exist for any of the other commands to work for a given DBDS or DEDB area. In order to register the DBDS, DBRC examines the IMS catalog or the IMS DBDLIB data set to:

- Verify that the DBDS or DEDB area exists.
- Obtain the data set identifier (DSID) of the DBDS, its data set organization, and its database organization.

If the IMS management of ACBs is enabled, DBRC examines the IMS catalog that is specified on the CATALOG keyword of the INIT.DBDS command or that is recorded in the RECON header as the default IMS catalog.

If your installation manages ACBs with an ACB library instead of the IMS catalog, DBRC examines the IMS DBDLIB data set. The IMS DBDLIB data set must be identified in the job stream for the Database Recovery Control utility (DSPURX00) with a ddname of IMS.

The INIT.DBDS command fails if you issue it while the database is in use.

When you issue the INIT.DBDS command, DBRC sets the image copy status in the DBDS record in the RECON to IC RECOMMENDED. After registering the DBDS, you can reset the image copy status in the RECON by performing either of the two following actions:

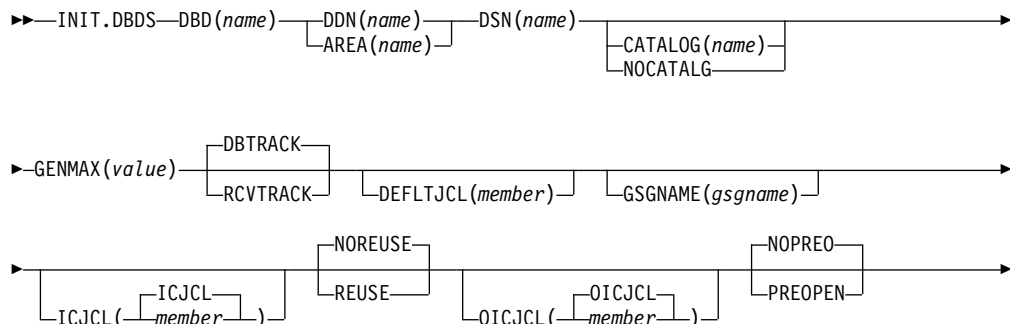
- Use the Image Copy utility to create a backup copy.
- Use the CHANGE.DBDS command to change the image copy status in the RECON data set.

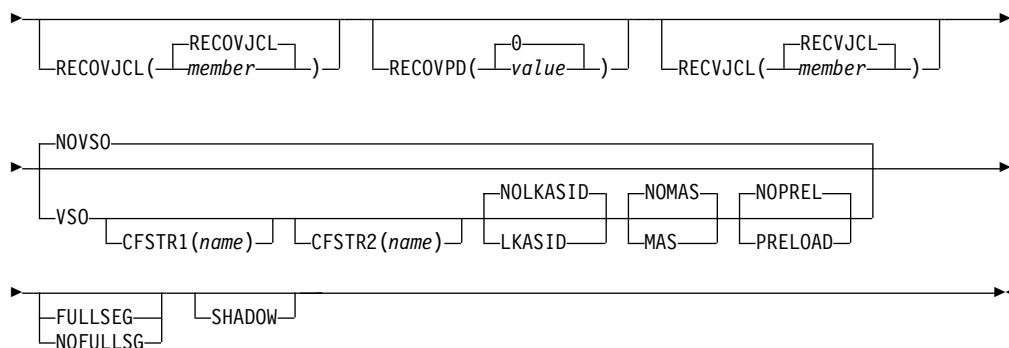
**Restriction for HALDB databases:** You cannot use the INIT.DBDS command to register DBDSs of HALDB databases. You must instead use either the HALDB Partition Definition utility or the INIT.DB and INIT.PART commands.

Subsections:

- "Syntax"
- "Keywords" on page 316
- "Example of identifying the DBDS to initiate DBRC control over recovery" on page 320

### Syntax





## Keywords

### DBD(*name*)

Required keyword you use to specify the database name of the DBDS or DEDB area being identified to DBRC.

### DDN(*name*) | AREA(*name*)

Mutually exclusive, required keywords that you use to specify the ddname of the DBDS or DEDB area being identified to DBRC.

### DSN(*name*)

Required keyword you use with the DDN(*name*) keyword to specify the data set name of the DBDS being identified to DBRC. You cannot use this keyword with a DEDB area.

If the DBDS is an ADS that is registered to DBRC, do not specify this keyword. Instead specify the data set name in the INIT.ADS command.

### CATALOG(*name*) | NOCATALG

Mutually exclusive, optional parameters that you use to indicate whether a catalog is to be used during the INIT.DBDS command. If these parameters are omitted then IMS uses the default catalog name that is defined in the RECON header. If the default name is null then the DBDLIB is used.

For databases that are defined using Database Definition Language (DDL), DBRC must access a catalog.

#### NOCATALG

Specifies that the INIT.DBDS command uses the DBD library instead of the IMS catalog.

#### CATALOG(*name*)

Specifies that the INIT.DBDS command uses the specified IMS catalog instead of the DBD library.

Specify *name* as an eight-character alphanumeric string that matches the name of a HALDB IMS catalog database that is registered in the RECON data set. Any IMS catalog name that is less than eight-characters is padded with blanks.

The IMS catalog name is validated during the INIT.DBDS command. If the catalog does not exist or is not defined as a HALDB database, the command fails.

### GENMAX(*value*)

Required keyword you use to specify the maximum number of image copies that DBRC is to maintain for the identified DBDS.



Each time you run the Database Image Copy utility for the DBDS that is being initiated, a new image copy is defined in the RECON data set. If you identified the DBDS with the NOREUSE keyword, the oldest image copy for the DBDS beyond the recovery period is deleted when the number of image copies exceeds the GENMAX value. If you identify the DBDS with the REUSE keyword, the oldest image copy beyond the recovery period is reused.

*value* must be a decimal number from 2 to 255.

#### **DBTRACK | RCVTRACK**

Mutually exclusive, optional keywords that you use to specify the type of RSR tracking (shadowing) for an area that is assigned to a global service group. You cannot specify either RCVTRACK or DBTRACK without GSGNAME and AREA.

Specifying DBTRACK has no effect if the tracking subsystem is a recovery-readiness level (RLT) subsystem.

#### **DBTRACK**

Indicates database-readiness tracking.

#### **RCVTRACK**

Indicates recovery-readiness tracking.

#### **DEFLTJCL (*member*)**

Optional keyword you use to specify an implicit skeletal JCL default member for the DBDS. The specified member is used by the GENJCL.IC, GENJCL.OIC, and GENJCL.RECOV commands in order to resolve keywords you have defined.

#### **GSGNAME (*gsgname*)**

Optional keyword used to specify to which global service group a database is to be assigned.

GSGNAME can be specified only if AREA is specified.

#### **ICJCL (ICJCL | *member*)**

Optional keyword you use to specify the name of a member of a partitioned data set that contains skeletal JCL. When you issue a GENJCL.IC command, DBRC uses this member to generate the JCL to run the Database Image Copy utility for the DBDS or DEDB area being identified.

#### **NOREUSE | REUSE**

Mutually exclusive, optional keywords that you use to specify whether the supported image copy utilities are to reuse previously used image copy data sets.

#### **NOREUSE**

Prevents the automatic reuse of image copy data sets for this DBDS by the supported image copy utilities.

If the NOREUSE option is specified for the HISAM database, the image-copy-needed flag is not turned on at the end of the HISAM Reload utilities. The input data set that is used while the HISAM database is being reloaded is used as an image copy data set.

#### **REUSE**

Allows the GENJCL.IC command or the GENJCL.OIC command to generate a job that causes the supported image copy utilities to reuse the oldest image copy data set (for the DBDS being defined) when the GENMAX value for the DBDS is exceeded. REUSE requires that you create empty image copy data sets for future use by the supported image copy

utilities. In addition, you must use INIT.IC commands to record their existence in the RECON data set. The NOREUSE keyword prohibits such actions.

If you want HSSP image copy processing, you must specify REUSE. Reuse means that the image copy job uses the same volumes, data set name, and record in the RECON data set for the new image copy data set as those of the oldest DBDS image copy data set.

**OICJCL(OICJCL | *member*)**

Optional keyword you use to specify the name of a member of a partitioned data set that contains skeletal JCL. You cannot use this keyword with a DEDB area. When you issue a GENJCL.OIC command, DBRC uses this member to generate the JCL to run the Online Database Image Copy utility for the DBDS being identified.

**NOPREO | PREOPEN**

Mutually exclusive, optional keywords that you use to specify whether an area is to be opened after the first checkpoint following the next control region initialization or when the next /START AREA command is processed. NOPREO is the default, except if you specify PRELOAD, in which case PREOPEN is the default.

**NOPREO**

Indicates that the area is not to be pre-opened the next time the control region is started or a /START AREA command is processed. You cannot specify NOPREO with PRELOAD.

**PREOPEN**

Indicates that the area is to be opened the next time the control region is started or a /STA AREA command is processed. This option is valid for both VSO and non-VSO areas.

**RECOVJCL(RECOVJCL | *member*)**

Optional keyword you use to specify the name of a member of a partitioned data set of skeletal JCL. When you issue the GENJCL.RECOV command, DBRC uses this member to generate the JCL that runs the Database Recovery utility for the DBDS or area being identified.

**RECOVPD(0 | *value*)**

Optional keyword you use to specify the recovery period for a specified DBDS or DEDB area.

The recovery period is the amount of time before the current date for which DBRC maintains recovery information in the RECON data set. For example, if the recovery period of a DBDS or area is 14 days, DBRC maintains sufficient recovery-generation information for at least 14 days.

The recovery period is calculated as the current date minus the date of the oldest image copy. If the image copies are dated within the days specified in the RECOVPD(*value*), DBRC keeps them in the RECON data set.

For *value*, specify a decimal number from 0 to 999 that represent the number of days the image copies are to be kept in the RECON data set. If you specify 0 (the default), there is no recovery period.

**RECVJCL(RECVJCL | *member*)**

Optional keyword you use to specify the name of the skeletal JCL member to be used by the GENJCL.RECEIVE command.

RECVJCL can be specified for both RSR-covered and non-covered DL/I DBDSs and Fast Path areas.

### **NOVSO | VSO**

Mutually exclusive, optional keywords that you use to specify whether an area is to reside in virtual storage the next time the control region is initialized or when the next /STA AREA command is processed.

#### **NOVSO**

Indicates that this area is not to reside in virtual storage.

#### **VSO**

Indicates that the area is to reside in virtual storage. Areas that are defined with SHARELVL(0 | 1) are read into and written from a z/OS data space. Areas defined with SHARELVL(2 | 3) use the coupling facility to share data between connected subsystems.

#### **CFSTR1(*name*)**

Optional keyword you use to specify the name of the first coupling facility structure for the identified area. z/OS coupling facility structure naming conventions must be adhered to. This keyword is valid only for VSO areas of DEDBs that are defined with SHARELVL(2 | 3). The area name is the default if VSO is specified and the DEDB is SHARELVL(2 | 3).

#### **CFSTR2(*name*)**

Optional keyword you use to specify the name of the second coupling facility structure for the identified area. z/OS coupling facility structure naming conventions must be adhered to. This keyword is valid only for VSO area of DEDBs defined with SHARELVL(2 | 3). There is no default.

**Restriction:** The name cannot be the area name if the CFSTR1 keyword is not specified. CFSTR2 cannot be specified if MAS is specified.

### **NOLKASID | LKASID**

Mutually exclusive optional keywords that you use to specify whether local data caching for the specified area is to be used for buffer lookaside on read requests. The LKASID option is valid only for SHARELVL(2 | 3) VSO areas.

#### **NOLKASID**

Indicates that buffer lookaside is not to be performed on read requests for this area. NOLKASID is the default.

#### **LKASID**

Indicates that buffer lookaside is to be performed on read requests for this area.

For VSO DEDB areas that use a single-area structure, the LKASID value that is defined in the RECON data set for the area takes precedence over the DFSVSMxx PROCLIB member's DEDB LKASID value.

For VSO DEDB areas that use a multi-area structure, LKASID or NOLKASID must be specified by using the DFSVSMxx PROCLIB member. The LKASID value that is defined in the RECON data set for the area is ignored.

### **NOMAS | MAS**

Mutually exclusive optional keywords that you use to specify whether a shared VSO is to reside in a multi-area coupling facility structure.

#### **NOMAS**

Indicates that the coupling facility structure (or structures) should contain data only for this area. NOMAS is the default.

#### **MAS**

Indicates that the area is to reside in a multi-area coupling facility structure. If MAS is specified, a second coupling facility structure (CFSTR2) cannot be specified.

### **NOPREL | PRELOAD**

Mutually exclusive, optional keywords that you use to specify whether a VSO area is to be loaded the next time it is opened.

#### **NOPREL**

Indicates that the area is not to be loaded into a data space or coupling facility structure the next time that it is opened. For VSO areas, CIs are copied into a data space when they are read for the first time.

#### **PRELOAD**

Indicates that the area is to be loaded into a data space or coupling facility structure the next time that it is opened. Selecting this option also causes the area to be pre-opened.

### **FULLSEG | NOFULLSG**

Mutually exclusive, optional keywords that specify whether the full segment image is logged in the X'5950' log record when the segment is updated by a Replace (REPL) call. These keywords are valid only for Fast Path DEDBs.

If one of these keywords is specified, it overrides the setting of the INIT.DB command. If neither of these keywords is specified, the default value that is set in the database record for the DEDB is used. See the INIT.DB command.

#### **FULLSEG**

Indicates that the full segment image is to be logged.

#### **NOFULLSG**

Indicates that only the updated portion of a segment is to be logged.

### **SHADOW**

Optional keyword used to specify whether to register a shadow area for a new DEDB area that is added to the end of a DEDB database by the ADDAREA function of the DEDB Alter utility. This keyword is only valid for Fast Path DEDBs.

The DEDB Alter function is required for shadow areas to be accessible to IMS systems.

## **Example of identifying the DBDS to initiate DBRC control over recovery**

In this example, a DBDS is registered with DBRC. The IMS DD statement is required to enable access to the IMS DBDLIB data set to obtain the data set identifier, data set organization, and database organization of the DBDS. The DBDS is identified by the DBD, DDN, and DSN keywords and is accessed only by an IMS system. Image copy data sets (of the DBDS) can be reused and DBRC maintains a maximum number of 2 image copies. The ICJCL keyword specifies the

member of the partitioned data set of skeletal JCL that is to be used for the generation of JCL for the Database Image Copy utility. The RECOVJCL keyword does the same for the Database Recovery utility.

```
//INITDBDS JOB
:
//IMS      DD   DSN=IMS.DBDLIB,DISP=SHR
//SYSIN    DD   *
INIT.DBDS  DBD(DBD002) DDN(DDN003) GENMAX(2) REUSE -
            ICJCL(ICJCLX) RECOVJCL(RECOVJCX) DSN(DSN003)
/*
```



### Example using the DBDLIB instead of the default catalog name

```
//INITDBDS JOB
:
//IMS      DD   DSN=IMS.DBDLIB,DISP=SHR
//SYSIN    DD   *
INIT.DBDS  DBD(DBD002) DDN(DDN003) GENMAX(2) REUSE -
            ICJCL(ICJCLX) RECOVJCL(RECOVJCX) DSN(DSN003) -
            NOCATALG
/*
```


Example using the catalog name GREGCD00 instead of the default catalog name.

```
//INITDBDS JOB
:
//SYSIN    DD   *
INIT.DBDS  DBD(DBD002) DDN(DDN003) GENMAX(2) REUSE -
            ICJCL(ICJCLX) RECOVJCL(RECOVJCX) DSN(DSN003) -
            CATALOG(GREGCD00)
/*
```

#### Related concepts:

-  Defining a VSO DEDB area (Database Administration)
-  Recovery period of image copy data sets and GENMAX (System Administration)

#### Related reference:

- “INIT.PART command” on page 326
- “LIST.DBDS command” on page 349
-  /RMxxxxxx commands (Commands)
- “CHANGE.DBDS command” on page 85

---

## INIT.DBDSGRP command

Use the INIT.DBDSGRP command to define a DBDS group (DBDSs or DEDB areas), a DB group (DL/I databases or DEDB areas), or a recovery group (DL/I databases or DEDB areas).

A DBDS group can be used anywhere that a DB group can be used, such as for the /DBR command, but this usage is inefficient. Define a separate DB group for such use.

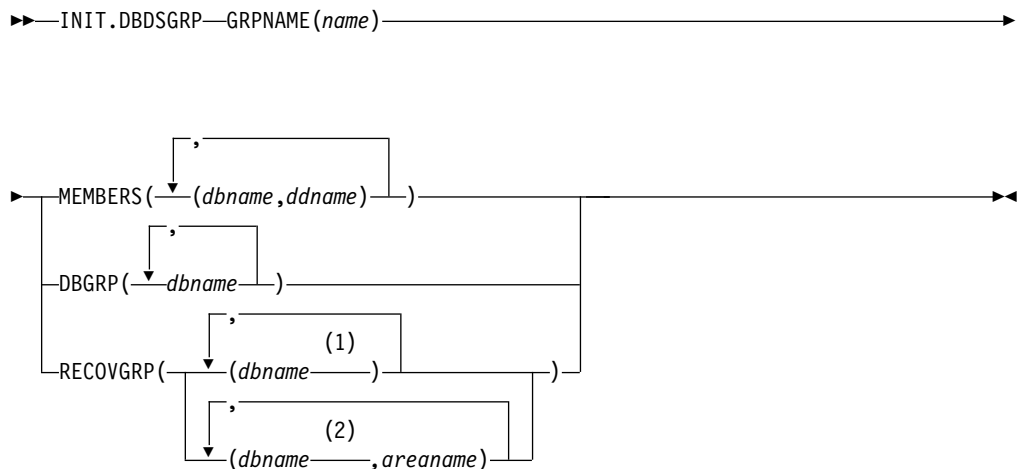
A recovery group is used with database recoveries. It can also be used anywhere that a DB group can be used.

If you define a DBDS group or a recovery group, you must register the members of the group in the RECON data set. Registering members of a DB group in the RECON data set is optional. To register members of a DBDS, recovery, or DB group, use the appropriate INIT command.

Subsections:

- “Syntax”
- “Keywords”
- “Example of creating a group of DBDSs” on page 323

## Syntax



Notes:

- 1 Full-function database name
- 2 Fast Path DEDB name

## Keywords

### GRPNAME (name)

Required keyword you use to identify the DBDSGRP to be created. The name can be from one to 8 alphanumeric characters, and must not be the name of an existing DBDSGRP or CAGRP record.

### MEMBERS (dbname, ddname) | DBGRP (dbname) | RECOVGRP (dbname, areaname)

Mutually exclusive, required keywords that identify the members to be included in the new group. A group can contain up to 32767 members.

#### MEMBERS (dbname, ddname)

Indicates that the group is a DBDS group. This keyword identifies one or more DBDSs or DEDB areas, each by a pair of names enclosed in parentheses, where *dbname* is the database name and *ddname* is the DD statement name or the DEDB area name.

Any member can belong to more than one DBDS group.

#### DBGRP (dbname)

Indicates that the group is a DB group, and identifies one or more databases or area names. Any member can belong to more than one DB group.

#### RECOVGRP (dbname, areaname)

Indicates that the group is a *recovery group*. A recovery group is a group of full-function databases or DEDB areas that you consider to be related.

DEDB areas can be a part of a recovery group, but DEDB databases cannot. HALDB databases can be a part of a recovery group, but individual HALDB partitions cannot.

If you perform a time-stamp recovery on one of the members of the group, some database recovery tools require you to recover all members of the group to the same time. A recovery group otherwise can be used like a DB group.

If you add a DEDB area to the recovery group, you must specify both the DEDB area and the DEDB database that the area belongs to. That is, to add a DEDB area to the recovery group, you must specify both *dbname* and *areaname*. You cannot specify only *areaname*.

If you add a full-function database to the recovery group, you do not need to specify *areaname* because *areaname* applies only to Fast Path databases.

A database or area can belong to only one recovery group. If any of the members specified by RECOVGRP already belongs to another recovery group, the command fails.

**Restrictions for HALDB databases:** For HALDB databases, *dbname* specifies the name of a HALDB partition or the HALDB master database. When specifying HALDB database names, use the INIT.DBDSGRP command only as defined in the following table.

Table 14. Supported *dbname* specifications for HALDB databases on INIT.DBDSGRP command keyword

INIT.DBDSGRP	<i>dbname</i> = HALDB master	<i>dbname</i> = Partition
MEMBERS	No	Yes
DBGGRP	Yes	Yes
RECOVGRP	Yes	No

## Example of creating a group of DBDSs

In this example, a group of DBDSs is defined.

```
//INITDBGGRP JOB
:
//SYSIN DD *
INIT.DBDSGRP GRPNAME(DBDSG1) -
MEMBERS((DB1,DD1),(DB2,DD2),(DB3,DD3))
/*
```

### Related reference:

“INIT.DB command” on page 309

“INIT.DBDS command” on page 315

---

## INIT.GSG command

Use the INIT.GSG command to define a global service group (GSG).

The GSG must be defined in every RECON data set that is to be used by any IMS subsystem in the GSG.

This command fails if RSRFEAT=NO is specified in the IMSCTRL macro.

Subsections:

- “Syntax”
- “Keywords”
- “Example of creating a global service group”

## Syntax

▶—INIT.GSG—GSGNAME(*gsgname*)—┬──▶  
   └─SEQNUM(*number*)─┘

## Keywords

### GSGNAME(*gsgname*)

Required keyword you use to specify the name of the GSG you want to create.

### SEQNUM(*number*)

Optional keyword you use to specify the initial DSN sequence number for the GSG you want to create. If you do not specify a SEQNUM keyword, the GSG DSN SEQ NUMBER is set to zero (0). This value is used to create unique tracking log data set names. If you have deleted an old GSG and are now creating a new GSG with the same name, specify a SEQNUM equal to the value of the last DSN SEQ NUMBER of the old GSG. Otherwise, the tracker might create logs that have data set duplicate names of previously created logs.

## Example of creating a global service group

Here is an example of using the INIT.GSG command to define a GSG.

```
//INITGSG JOB
:
//SYSIN DD *
INIT.GSG GSGNAME(IMSGSG1)
/*
```

---

## INIT.IC command

Use an INIT.IC command to create image copy records in the RECON data set. These image copy records define image copy data sets that are available for use during subsequent runs of the supported image copy utilities.

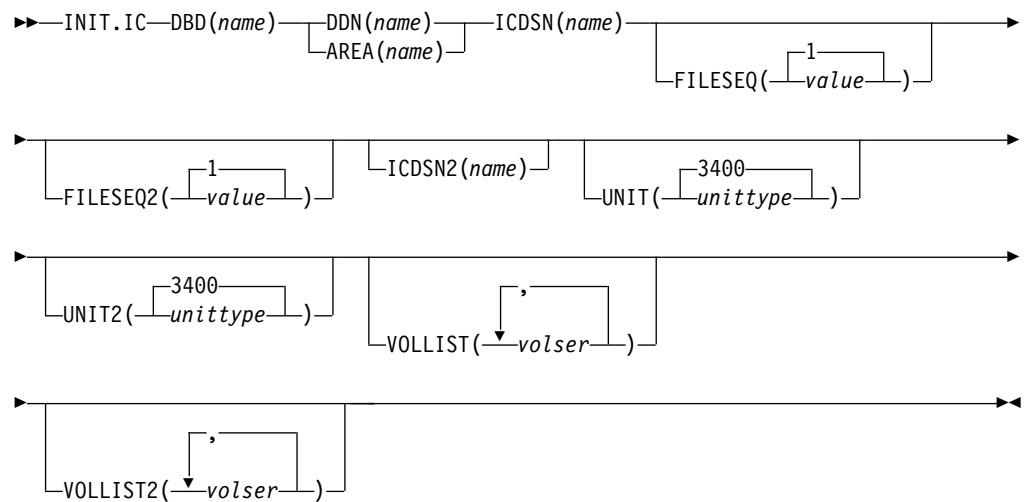
Each INIT.IC command creates one image copy record. You can define image copy data sets for subsequent use only if you have specified a REUSE keyword for the corresponding DBDS or DEDB area when it was identified in the RECON data set with an INIT.DBDS command. The maximum number of image copy records that are to be used for a given DBDS or DEDB area is determined by the value of GENMAX for the specified DBDS or DEDB area.

Subsections:

- “Syntax” on page 325
- “Keywords” on page 325
- “Example of creating a record that defines the ICDSN” on page 326



## Syntax



## Keywords

### DBD(*name*)

Required keyword you use to identify the image copy data set being created by the database name of its related DBDS or DEDB area.

**Restriction for HALDB databases:** For the INIT.IC command, *name* specifies the name of a HALDB partition.

### DDN(*name*) | AREA(*name*)

Mutually exclusive, required keywords that you use to identify the image copy data set being created; *name* is the data set ddname of the related DBDS or DEDB area.

### ICDSN(*name*)

Required keyword you use to specify the name of the image copy data set for which the image copy record is being created. *name* can be up to 44 characters. You can use the default-naming convention for image copy data sets for this name.

### FILESEQ(*1* | *value*)

Optional keyword you use to specify the file sequence number of the image copy data set for which the image copy record is being created. You can specify this keyword only if you specify a VOLLIST keyword, and only if the file sequence number is not 1. *value* must be a decimal number from 1 to 9999.

### FILESEQ2(*1* | *value*)

Optional keyword you use to specify the file-sequence number of the duplicate image copy data set for which the image copy record is being created. You can specify this keyword only if you are creating a duplicate image copy data set, if you specify a VOLLIST2 keyword, and if the file-sequence number is not 1. The value you substitute in the variable field must be a decimal number from 1 to 9999.

### ICDSN2(*name*)

Optional keyword you use to specify the name of the duplicate image copy data set for which the image copy record is being created. *name* can be up to 44 characters. You can use the default naming convention for duplicate image copy data sets for this name.

**UNIT(3400 | *unittype*)**

Optional keyword you use to specify the unit type of the image copy data set being defined. The unit type can be up to eight alphanumeric characters long.

If you specify the UNIT keyword, you must also specify the VOLLIST keyword.

**UNIT2(3400 | *unittype*)**

Optional keyword you use to specify the unit type of the duplicate image copy data set being defined. The unit type can be up to eight alphanumeric characters.

**VOLLIST(*volser*)**

Optional keyword you use to specify the volume serial numbers of the volumes on which the image copy data set resides. You can substitute from 1 to 255 volume serial numbers in the variable field. Each volume serial number can be up to 6 alphanumeric characters, and they must follow z/OS® JCL conventions for volume serial numbers. VOLLIST is required if the image copy data set is not to be treated as cataloged, as indicated in the RECON status record.

**VOLLIST2(*volser*)**

Optional keyword you use to specify the volume serial numbers of the volumes on which the duplicate image copy data set resides. You can substitute from 1 to 255 volume serial numbers in the variable field. Each volume serial number can be up to 6 alphanumeric characters, and they must follow z/OS® JCL conventions for volume serial numbers. VOLLIST2 is only allowed if ICDSN2 is specified. VOLLIST2 is required if the image copy data set is not to be treated as cataloged, as indicated in the RECON status record.

**Example of creating a record that defines the ICDSN**

In this example, a record is created in the RECON data set that defines an image copy data set that is to be used for creating an image copy of the DBDS. The name of the image copy data set is specified in the ICDSN keyword; in this example, the default naming convention is used to generate the fully qualified data set name. The volume on which the image copy data set is to reside is specified by the VOLLIST keyword and its file-sequence number is specified by the FILESEQ keyword.

```
//INITIC  JOB
:
//SYSIN  DD  *
          INIT.IC      DBD(DB1) DDN(DD1) -
                      ICDSN(IMS.*.ICDSN2) -
                      VOLLIST(VOL003) FILESEQ(5)
/*
```

---

**INIT.PART command**

Use the INIT.PART command to register a HALDB partition.

This command creates the RECON HALDB partition structure: a PART record, the partition DB record, and one or more DBDS records, according to the DBD specification.

The INIT.PART command fails if the HALDB is being used by the HALDB Partition Definition utility.

For the INIT.PART command, DBRC references the database definitions in either the IMS catalog or the IMS DBDLIB.

If the IMS management of ACBs is enabled, DBRC references the IMS catalog. The name of the IMS catalog must be specified on the CATALOG keyword of the INIT.PART command or the default IMS catalog name must be recorded in the RECON header.

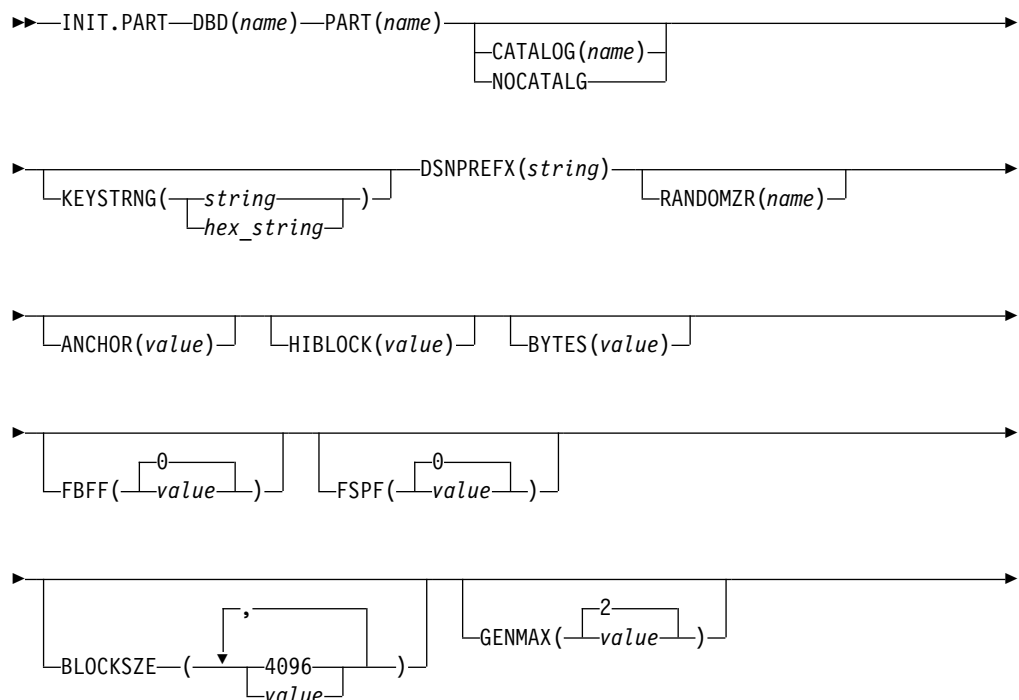
If your installation manages ACBs with an ACB library instead of the IMS catalog, DBRC references the IMS DBDLIB data set. The IMS DBDLIB data set must be identified in the job stream for the Database Recovery Control utility (DSPURX00) with a ddname of IMS.

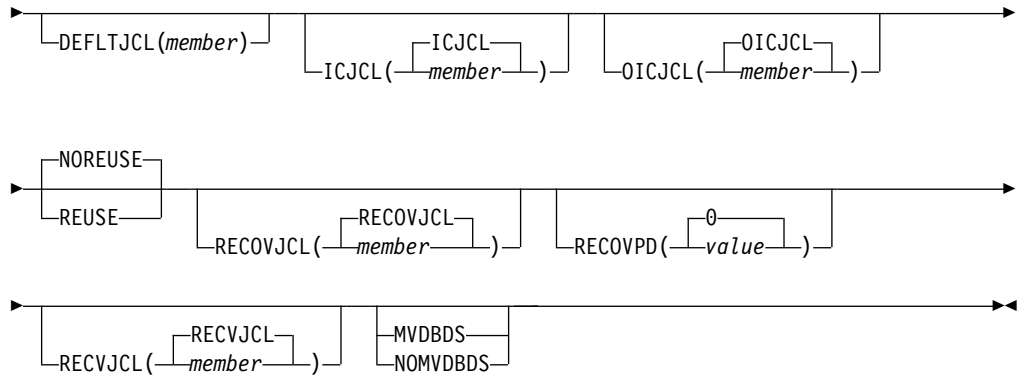
Some keywords for this command apply to all the partition DBDSs that are created as a result of this command. This differs from the HALDB Partition Definition utility, for which the keywords can be specified separately for each partition DBDS that is created. These keywords can later be changed individually with the CHANGE.DBDS command.

Subsections:

- "Syntax"
- "Keywords" on page 328
- "Example of creating a partition" on page 331

## Syntax





## Keywords

### DBD(*name*)

Required keyword used to identify the HALDB for which the partition is to be defined.

### PART(*name*)

Required keyword used to identify a HALDB partition name. Specified as an alphanumeric value, up to 7 characters long, with the first character being alphabetic.

### CATALOG(*name*) | NOCATALG

Mutually exclusive, optional parameters that you use to indicate whether a catalog is to be used during the INIT.PART command. If these parameters are omitted then IMS will use the default catalog name defined in the RECON header. If the default name is null then the DBDLIB will be used.

For databases that are defined using Database Definition Language (DDL), DBRC must access a catalog.

#### CATALOG(*name*)

Specifies that the INIT.PART command uses the specified IMS catalog instead of the DBD library.

Specify *name* as an eight-character alphanumeric string that matches the name of a HALDB IMS catalog database that is registered in the RECON data set. Any catalog name that is less than eight-characters is padded with blanks.

The catalog name is validated during the INIT.PART command. If the catalog does not exist or is not defined as a HALDB database, the command fails.

#### NOCATALOG

Specifies that the INIT.PART command uses the DBD library instead of the IMS catalog.

### KEYSTRNG(*string*) | KEYSTRNG(*hex\_string*)

Optional keyword that you use to specify a HALDB partition high key value or a selection string for use by a partition selection exit. Specified as a character value up to 256 characters long or a hexadecimal value up to 512 characters long. Character values must be alphanumeric (with no embedded blanks or commas unless the string is enclosed by single quotation marks). Unless enclosed by single quotation marks, the character string will be folded to uppercase. Hexadecimal values must be enclosed by single quotation marks and preceded by the letter X, for example: KEYSTRNG('X'D7C1D9E3D2C5E8').

If no partition selection routine was specified in the HALDB master definition, KEYSTRNG defines the Partition high key and is required. The high key length cannot be longer than the root key length. If the high key length is less than the defined root key length, the high key value is padded with X'FF's up to the defined root key length. The partition high key values must be unique for each partition within a HALDB.

If a partition selection routine was specified in the HALDB master definition, KEYSTRNG defines a Partition Selection String which is passed to the partition selection routine. Your installation partition selection routine may or may not require a Partition Selection String. If required, the content of the string is determined by your installation. It can be up to 256 bytes long and consist of simple character information. If it contains non-printable characters, it must be identified using hex notation. A hex character string is enclosed by single quotation marks and prefixed with an X.

**DSNPREFX(*string*)**

Required keyword you use to specify the data set name prefix for the partition data sets contained in a HALDB. Specified as a value, up to 37 characters long, that is a valid JCL data set name.

**RANDOMZR(*name*)**

Optional keyword used to specify the name of the randomizing module for HALDB PHDAM databases only. If RANDOMZR is omitted, the name of the randomizing module is obtained from the DBD. A randomizing module controls root segment placement in, or retrieval from, the PHDAM HALDB.

**ANCHOR(*value*)**

Optional keyword used to specify the number of root anchor points (RAPs) desired in each control interval or block in the root addressable area of a PHDAM HALDB. This keyword is for PHDAM HALDB databases only.

The value specified must be between 1 and 255. Typical values are from 1 to 5. If ANCHOR is omitted, the value is obtained from the DBD.

**HIBLOCK(*value*)**

Optional keyword used to specify the maximum relative block number value that you want to enable a randomizing module to produce for this HALDB. This keyword is for PHDAM HALDB databases only.

The HIBLOCK value determines the number of control intervals or blocks in the root addressable area of an PHDAM HALDB. The value can range between 1 and 16,777,215 ( $2^{24}-1$ ). If HIBLOCK is omitted, the value is obtained from the DBD.

**BYTES(*value*)**

Optional keyword used to specify the maximum number of bytes of a HALDB database record that can be stored into the root addressable area in a series of inserts unbroken by a call to another HALDB database record. The value can range between 0 and 16,777,215 ( $2^{24}-1$ ). If BYTES is omitted, the value is obtained from the DBD. This keyword is for PHDAM HALDB databases only.

A value of 0 (zero) means that all bytes are addressable. Setting BYTES to 0 is equivalent to omitting BYTES on the DBD definition.

**FBFF(0 | *value*)**

Optional keyword used to specify the free block frequency factor (fbff) which specifies that every *n*th control interval or block in this data set group is left as free space during database load or reorganization (where  $FBFF=n$ ). The range of FBFF includes all integer values from 0 to 100 except 1. The default value for FBFF is 0.

**FSPF(0 | *value*)**

Optional keyword used to specify the free space percentage factor. It specifies the minimum percentage of each control interval or block that is to be left as free space in this data set group. Value may be any number between 0 and 99. The default value for FSPF is 0.

**BLOCKSIZE(4096 | *value*)**

Optional keyword that you use to specify the block size for OSAM data sets. Specify an even number no greater than 32,766. The block size value is used for OSAM only. The default is 4096. You may specify up to 10 values, one for each data set group defined in the DBD.

**GENMAX(2 | *value*)**

Optional keyword that you use to specify the maximum number of image copies that DBRC is to maintain for the partition DBDSs. If you identify a partition DBDS with the NOREUSE keyword, the oldest image copy beyond the recovery period is deleted when the number of image copies exceeds the GENMAX value. If you identify it with the REUSE keyword, the oldest image copy beyond the recovery period is reused. Specified as a numeric value from 2 to 255. All partition DBDSs will be created with this GENMAX value. The CHANGE.DBDS command can be used to change this for individual partition DBDSs. The default value for GENMAX is 2.

**DEFLTJCL(*member*)**

Optional keyword that you use to specify an implicit skeletal JCL default member for a HALDB Partition DBDS. The specified member is used by the GENJCL.IC, GENJCL.OIC, and GENJCL.RECOV commands in order to resolve keywords you have defined. All partition DBDSs will be created with this DEFLTJCL member. The CHANGE.DBDS command can be used to change this for individual partition DBDSs.

**ICJCL(ICJCL | *member*)**

Optional keyword that you use to specify the name of a member of a partitioned data set that contains skeletal JCL. When you issue a GENJCL.IC command, DBRC uses this member to generate the JCL to run the Database Image Copy utility (or the Database Image Copy 2 utility) for the partition DBDS specified on the GENJCL command. All partition DBDSs will be created with this ICJCL member. The CHANGE.DBDS command can be used to change this for individual partition DBDSs.

**NOREUSE | REUSE**

Mutually exclusive, optional keywords that you use to specify whether the supported image copy utilities are to reuse previously used image copy data sets.

**REUSE**

REUSE enables the GENJCL.IC command or the GENJCL.OIC command to generate a job that causes the supported image copy utilities to reuse the oldest image copy data set (for the DBDS specified on the GENJCL command) when the GENMAX value for it is exceeded. REUSE requires that you create empty image copy data sets for future use by the supported image copy utilities. In addition you must use an INIT.IC command to record their existence in the RECON data set.

**NOREUSE**

NOREUSE keyword prohibits such actions. All partition DBDSs will be created with the keyword specified. The CHANGE.DBDS command can be used to change this for individual partition DBDSs.

**OICJCL(OICJCL | member)**

Optional keyword that you use to specify the name of a member of a partitioned data set that contains skeletal JCL. When you issue a GENJCL.OIC command, DBRC uses this member to generate the JCL to run the Online Database Image Copy utility for the partition DBDS specified on the GENJCL command. All partition DBDSs will be created with this OICJCL member. The CHANGE.DBDS command can be used to change this for individual partition DBDSs.

**RECOVJCL(RECOVJCL | member)**

Optional keyword that you use to specify the name of a member of a partitioned data set that contains skeletal JCL. When you issue the GENJCL.RECOV command, DBRC uses this member to generate the JCL to run the Database Recovery utility for the partition DBDS specified on the GENJCL command. All partition DBDSs will be created with this RECOVJCL member. The CHANGE.DBDS command can be used to change this for individual partition DBDSs.

**RECOVPD(0 | value)**

Optional keyword that you use to specify the recovery period for a specified partition DBDS. Specify a numeric value from 0 to 999 that represents the number of days you want DBRC to maintain sufficient recovery-generation information in the RECON data set. The default is 0 which means there is no recovery period. All partition DBDSs will be created with this RECOVPD value. The CHANGE.DBDS command can be used to change this for individual partition DBDSs.

**RECVJCL(RECVJCL | member)**

Optional keyword that you use to specify the name of the skeletal JCL member to be used by the GENJCL.RECEIVE command.

RECVJCL can be specified for both RSR-covered and non-covered HALDB DBDSs.

All partition DBDSs will be created with this RECVJCL member. The CHANGE.DBDS command can be used to change this for individual partition DBDSs.

**MVDBDS | NOMVDBDS**

Optional keyword that you use to allow the partner DBDSs (M-V,Y) to be created in the RECON data set for HALDB databases capable of running HALDB online reorganization.

**MVDBDS**

Optional parameter that you use to create the M-V, Y data sets if the HALDB is defined as OLRCAP. If the parameter is not included on an INIT.PART command, the M-V, Y data sets are not created until HALDB online reorganization is run the first time.

**NOMVDBDS**

Optional parameter that you use to indicate that the M-V, Y data sets are not to be created in the RECON data set for HALDB databases defined as OLRCAP. This is the default for HALDB databases that are OLRCAP.

**Example of creating a partition**

This example creates a partition for the HALDB identified by the DBD keyword. The partition name is identified by the PART keyword. The HALDB uses a partition selection exit. The KEYSTRNG keyword defines the selection string used by the partition selection exit. The string is 149 characters long. The character

string must be enclosed in quotation marks because it contains blanks. The ending minus sign (“-”) indicates the line is continued. Note that the selection string also contains minus signs, so the first line of the string ends with two minus signs (the first, being part of the selection string, and the second, being the continuation character). The first DSGROUP (DBDS) is assigned a block size of 32 000, the second defaults to 4096, the third is 4000, and the remaining DSGROUPs default to 4096. The partition is marked as needing partition initialization when it is created.

```
//INITPART JOB
.
.
.
//IMS      DD DSN=IMS.DBDLIB,DISP=SHR
//SYSIN    DD *
          INIT.PART DBD(DBHDOK01) PART(PDHDOKE) KEYSTRNG('ABCDEFHGHIJKL--
MNOPQRSTUVWXYZ0123456789 ABCDEFHGHIJKLMNOPQRSTUVWXYZ0123456789ABCDEFHGHIJ-
KLMNOPQRSTUVWXYZ0123456789- ABCD--

EFGHIJKLMNOPQRSTUVWXYZ0123456789') -
          DSNPREFIX(TESTSYS1.PROJECT) -
          BLOCKSIZE(32000,,4000)
/*
|...+...1...+...2...+...3...+...4...+...5...+...6...+...7..
```

### Example using the DBDLIB instead of the default catalog name

```
//INITPART JOB
.
.
.
//IMS      DD DSN=IMS.DBDLIB,DISP=SHR
//SYSIN    DD *
          INIT.PART DBD(DBHDOK01) PART(PDHDOKE) KEYSTRNG('ABCDEFHGHIJKL--
MNOPQRSTUVWXYZ0123456789 ABCDEFHGHIJKLMNOPQRSTUVWXYZ0123456789ABCDEFHGHIJ-
KLMNOPQRSTUVWXYZ0123456789- ABCD--

EFGHIJKLMNOPQRSTUVWXYZ0123456789') -
          DSNPREFIX(TESTSYS1.PROJECT) -
          BLOCKSIZE(32000,,4000) -
          NOCATALG
/*
```

### Example using the catalog name GREGCD00 instead of the default catalog name

```
//INITPART JOB
.
.
.
//SYSIN    DD *
          INIT.PART DBD(DBHDOK01) PART(PDHDOKE) KEYSTRNG('ABCDEFHGHIJKL--
MNOPQRSTUVWXYZ0123456789 ABCDEFHGHIJKLMNOPQRSTUVWXYZ0123456789ABCDEFHGHIJ-
KLMNOPQRSTUVWXYZ0123456789- ABCD--

EFGHIJKLMNOPQRSTUVWXYZ0123456789') -
          DSNPREFIX(TESTSYS1.PROJECT) -
          BLOCKSIZE(32000,,4000) -
          CATALOG(GREGCD00)
/*
```

#### Related tasks:

 Database design and implementation (Database Administration)

#### Related reference:



## INIT.RECON command

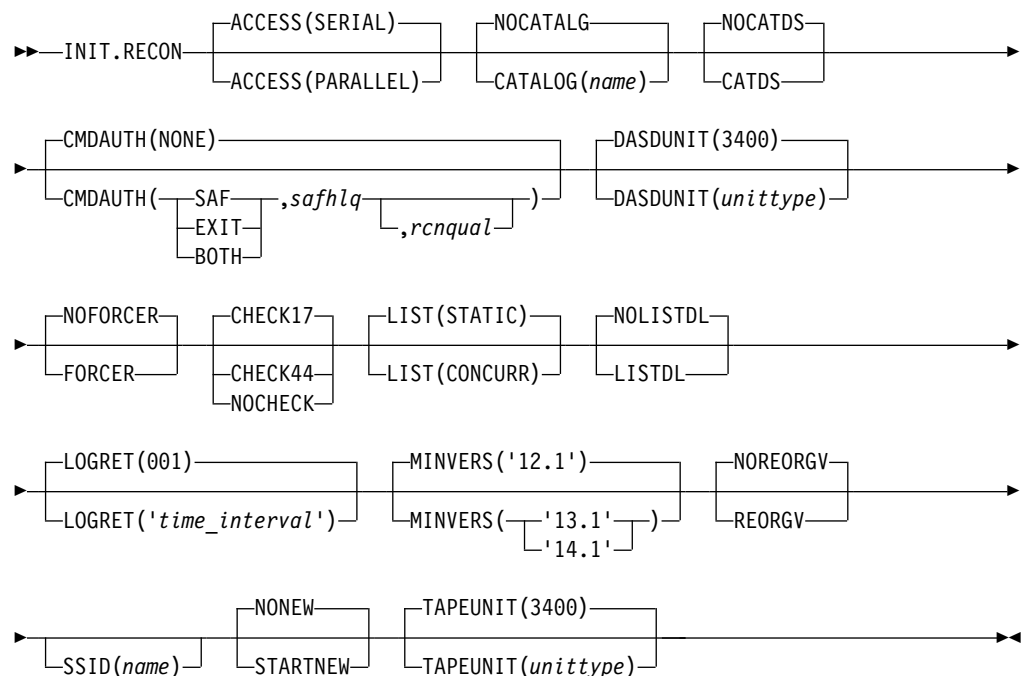
Use the INIT.RECON command to initialize the RECON data set for use by DBRC.

The RECON data sets must first be created using the DFSMS command AMS DEFINE CLUSTER, and must be empty.

Subsections:

- “Syntax”
- “Keywords”
- “Examples of initializing the RECON data set” on page 339

### Syntax



### Keywords

#### ACCESS()

Optional keyword you use to disable or enable parallel RECON access.

#### SERIAL

Specifies access to a RECON data set in serial mode. Only one DBRC request can be processed at a time. Access to the RECON data set is serialized at the data set level using hardware reserve.

#### PARALLEL

Specifies access to a RECON data set in parallel mode. With parallel RECON access, DBRC requests from multiple IMS systems, batch jobs, and utility jobs can be processed concurrently. the RECON data set is accessed in transactional VSAM mode. Access is serialized at the VSAM record level using coupling facility locking.

To use parallel RECON access, the following conditions must be met:

- All three RECON data sets must be available.
- The DBRC instance processing the command must register with SCI (that is, an IMSplex name must be specified through the DBRC SCI Registration exit routine (DSPSCIX0) or the IMSPLEX execution keyword).

#### **NOCATALOG | CATALOG**

Mutually exclusive, optional parameters that you use to indicate whether DBRC retrieves the database definitions from the IMS catalog or the DBDLIB data set when the following commands are run:

CHANGE.DBDS  
 CHANGE.PART  
 INIT.DB  
 INIT.DBDS  
 INIT.PART  
 NOTIFY.REORG

For databases that are defined using Database Definition Language (DDL), DBRC must access an IMS catalog.

#### **NOCATALOG**

Specifies that the DBDLIB data set is used.

#### **CATALOG(*name*)**

Specifies that an IMS catalog is used.

*name* is an eight-character alphanumeric string that identifies an IMS catalog HALDB database that is registered in the RECON data set. Any catalog name that is less than eight-characters is padded with blanks.

The catalog name is not validated when the INIT.RECON command is run because the catalog cannot be defined in the RECON data set until after the RECON data set is initialized.

#### **NOCATDS | CATDS**

Mutually exclusive, optional keywords that you use to indicate whether image copy, change accumulation, and log data sets are cataloged.

#### **NOCATDS**

Specifies that these data sets, regardless of their cataloged status, are not to be treated as cataloged.

DBRC verifies that the volume serial and file sequence numbers that appear in the job file control block are the same as the information recorded in the RECON data set.

#### **CATDS**

Specifies that these data sets are cataloged or SMS-managed.

DBRC does not verify the volume serial and file sequence numbers for the data set.

In order for the CATDS option to be effective, the data set must be cataloged, and volume serial information for the data set must be omitted from the JCL. If the data set is cataloged, CATDS is specified, and volume serial information is included in the JCL, DBRC ignores CATDS and allocates the data set by the JCL. Normal volume serial and file sequence checking occurs.

If the data set is not cataloged, CATDS is not effective, and DBRC allocates the data set by the JCL, with volume serial and file sequence checking.

If log data sets are SMS-managed, select the CATDS option and remove the %LOGVOLS keyword from skeletal JCL member CAJCL.

**Attention:** The CATDS option affects restart of IMS from SLDS data sets. Because the CATDS option indicates the SLDSs are under the control of a catalog management system, the VOLSER is not passed back to IMS for data set allocation. If the SLDS data sets are not cataloged, IMS restart fails.

### **CMDAUTH ( )**

Optional keyword you use to specify whether DBRC batch command authorization is to be performed.

#### **NONE | SAF | EXIT | BOTH**

Mutually exclusive subparameters that you use to specify your DBRC batch command security option.

#### **NONE**

Specifies that command authorization is to be skipped. This is the default.

#### **SAF**

Specifies that a security product is to be called for command authorization.

#### **EXIT**

Specifies that the DBRC Command Authorization exit (DSPDCAX0) is to be called for command authorization.

#### **BOTH**

Specifies that a security product and the DBRC Command Authorization Exit (DSPDCAX0) are to be called for command authorization. The security product is called first, then DSPDCAX0.

### ***safhlq***

High-level qualifier of the resource name defined to the z/OS System Authorization Facility (SAF) product (RACF) to define command authorization. *safhlq* must be specified with SAF, EXIT, or BOTH. *safhlq* is a name up to 8 alphanumeric characters in length.

### ***rcnqual***

Optional parameter you use for setting a string value in the RECON data set that will be used in DBRC command processing on the RECON to determine whether the data set is a copy and whether command authorization should be enforced. The *rcnqual* parameter can be specified only with SAF, EXIT, or BOTH.

When setting *rcnqual*, the string must be a substring of the RECON COPY1 data set name in order to prevent inadvertently disabling security for the production RECON data set. If *rcnqual* is specified with an asterisk (\*) at the end and within quotation marks, the RECON COPY1 data set name must start with *rcnqual* or DBRC command authorization will not be enforced.

For command authorization to be enforced, the *rcnqual* value must be a substring of the RECON COPY1 data set name. Ideally it should be a substring that is common to all three RECON data set names in order to prevent any problems if RECON reconfiguration takes place. *rcnqual* can be up to 44 characters long and must follow DBRC data set naming conventions.

**DASDUNIT ()**

Optional keyword you use to specify the unit type of the DASD device holding the records for log data sets. The unit type can be up to eight alphanumeric characters long.

If you do not use this keyword to specify a DASD device, then the INIT.RECON command defaults to DASD unit type 3400.

DBRC stores the value specified for DASDUNIT in the unit field of various RECON records. Multiple utilities use this value as the default value for the output device type.

**NOFORCER | FORCER**

Mutually exclusive, optional keywords that you use to specify whether all IMS databases must be registered in the RECON data set.

**NOFORCER**

Specifies that databases do not have to be registered.

**FORCER**

Specifies that all databases must be registered. If you specify FORCER and a job attempts to access an unregistered database, the database authorization call from IMS to DBRC fails.

**CHECK17 | CHECK44 | NOCHECK**

Mutually exclusive, optional keywords that you use to change the type of log data set name comparison that DBRC does.

**CHECK17**

Verifies that the last 17 characters of a log data set name are consistent with the RECON data set. If the name in the RECON data set does not match the names on the appropriate ddname, the utility stops.

**CHECK44**

Verifies that the 44-character log data set name is consistent with the RECON data set. If the name in the RECON data set does not match the name on the appropriate log ddname, the utility stops.

**NOCHECK**

Used if the data set name specified as input to the Database Recovery utility is longer than 17 characters and has a new high-level qualifier. DBRC does not compare the log data set name recorded in the RECON data set with the name on the appropriate ddname.

**LIST()**

Optional keyword that you use to set a default of STATIC or CONCURR for LIST commands. The default only applies to LIST commands processed when the RECON data set is in parallel access (or TVS) mode.

If the LIST keyword is not specified on the INIT.RECON command, STATIC is set as the default.

**STATIC**

Specifies that if the RECON data set is in parallel access mode and a LIST command is processed that did not specify the STATIC or CONCURR keyword, the default for list processing is STATIC.

**CONCURR**

Specifies that if the RECON data set is in parallel access mode and a LIST command is processed that did not specify the STATIC or CONCURR keyword, the default for list processing is CONCURR.

**Recommendation:** Because some LIST commands with the STATIC option are likely to be disruptive, set CONCURR as the default. STATIC can then be specified on specific commands, for example, when trying to resolve problems. (The default if the LIST keyword is not specified on INIT.RECON is STATIC rather than CONCURR only because LIST commands with serial RECON access always produce consistent output.)

#### **LOGRET(001 | 'time\_interval')**

Optional keyword you use to specify the retention period for log data sets.

The retention period is the minimum amount of time in which a log becomes inactive after it is opened. (It is then eligible to be deleted.)

The *time\_interval* is a partial, punctuated time stamp representing a time interval (days, hours, minutes, and seconds) rather than a date and time. The time stamp has the following format:

*ddd|hh|mm|ss|t*

where:

**ddd**

Number of days (000 to 365)

**hh** Number of hours (0 to 23)

**mm** Number of minutes (0 to 59)

**ss** Number of seconds (0 to 59)

**t** Tenths of a second (0 to 9)

The punctuation for the time stamp (shown in the above format as a vertical bar ( | )) can be any non-numeric character, such as a period (.) or a comma (,). The time stamp must be enclosed in single quotation marks (') if it contains any blanks or special characters. The number of days must include any leading zeros, but you can omit trailing zeros. Valid intervals range from a tenth of a second to 365 days. The default value, 001, is 24 hours.

Because the time interval is treated as a time stamp, message DSP1048I might be issued for incorrect values. Some examples of valid time intervals include:

```
LOGRET(365)
LOGRET('030 12.00')
LOGRET('000 00:00:08.0')
LOGRET('000 00,00,00,1')
```

Two different valid formats for equivalent time stamp specifications are shown.

```
LOGRET(030)          LOGRET('030')          = 30 days
LOGRET('010 12,30') LOGRET('010 12:30') = 10 days, 12 hours, 30 minutes
```

For information about inactive logs and how they are determined by use of the log retention period and other conditions, see the INACTIVE keyword under the DELETE.LOG (for RLDS and SLDS) command.

If you do not use this keyword to specify a retention period, then the INIT.RECON command defaults to a period of 001 (24 hours).

**Recommendation:** Ensure that an appropriate log retention period is specified so that log information is kept in the RECON data set for a long enough period of time. Certain IMS functions depend on log information in the RECON data set, and these functions might fail if that information is deleted too soon. For example, one or more of the following functions might fail:

- Dynamic backout
- Batch message processing (BMP) extended restart (XRST)
- Unit of work table entry (UOWE) resynchronization

## **NOLISTDL | LISTDL**

Mutually exclusive, optional keywords that you use to specify whether data set names deleted from the RECON (by the DELETE.LOG command or by an archive job log compression) are listed in the job output. The setting specified on this command can be overridden by the DELETE.LOG command. There is no way to override the setting for log compression during an archive job.

### **LISTDL**

Specifies that names of deleted data sets are to be listed in the job output.

### **NOLISTDL**

Specifies that names of deleted data sets are not to be listed in the job output.

## **MINVERS('12.1' | '13.1' | '14.1')**

Optional keyword that specifies the lowest version of IMS that is allowed to sign on to DBRC. The default is MINVERS('12.1').

The format for the MINVERS keyword includes a period. DBRC considers this a special character and requires the value to be enclosed in single quotation marks.

### **Requirement:**

- To run the DEDB Alter utility with ALTERAREA for a DEDB area with sequential dependent (SDEP) segments, the MINVERS value must be 14.1.
- To specify that a HALDB database can have up to 8 gigabytes of data in a OSAM PHDAM or PHIDAM database data set, the MINVERS value must be 14.1 or it must be 13.1 with a CDSLID value of 2. A CDSLID value of 2 indicates that the SPE APAR that enables the support of 8-GB OSAM data sets has been applied to all IMS Version 13 resident libraries that access the RECON data set.

## **NOREORGV | REORGV**

Mutually exclusive, optional parameters you use to modify the HALDB partition reorganization number verification. The default is NOREORGV.

### **NOREORGV**

Specifies that HALDB partition reorganization number verification is disabled. Any requests to store, update or verify the reorganization number will be ignored.

### **REORGV**

Specifies that HALDB partition reorganization number verification is enabled. DBRC stores the reorganization number for each partition in the partition record in the RECON data set to prevent the reorganization number from being regressed.

## **SSID(*name*)**

Optional keyword you use to specify the name of the IMS subsystem that is to be used as the default subsystem ID for the following commands:

CHANGE.PRILOG  
CHANGE.SECLOG  
DELETE.LOG  
GENJCL.ARCHIVE  
GENJCL.CLOSE  
NOTIFY.PRILOG  
NOTIFY.SECLOG

*name* is an 8-character alphanumeric string that identifies a valid IMS subsystem ID.

#### **NONEW | STARTNEW**

Mutually exclusive, optional keywords that you use to specify whether new jobs are to be started when only one RECON data set is available.

##### **NONEW**

Specifies that new jobs are not to be started.

##### **STARTNEW**

Specifies that new jobs are to be started. If parallel RECON access is enabled, new jobs cannot start with a single available RECON data set if another DBRC instance is running with two active RECON data sets.

#### **TAPEUNIT(*unittype*)**

Optional keyword you use to specify the unit type of the tape device that is holding the records for log data sets. The unit type can be up to 8 alphanumeric characters long.

If you do not use this keyword to specify a tape device, then the INIT.RECON command defaults to unit type 3400.

DBRC stores the value specified for TAPEUNIT in the unit field of various RECON records. Multiple utilities use this value as the default value for the output device type.

### **Usage notes**

DBRC accesses the database definitions stored in the DBDLIB while processing the NOTIFY.REORG, CHANGE.PART, CHANGE.DBDS, INIT.PART, INIT.DB and INIT.DBDS commands. DBRC needs to access the IMS catalog when the directory is enabled instead of the DBDLIB because it may not contain the database definitions for a database defined with DDL.

The RECON will contain a new catalog name. This name will be defined indicating the DBRC is using the directory instead of the DBDLIB for commands that need to reference the database definition. This catalog name can be set on the INIT.RECON command as the default. The catalog name is not required; if it is not present then DBRC will continue to expect the IMS DD to contain the DBDLIB.

The catalog name defined during INIT.RECON is not validated because the catalog cannot be defined to the RECON yet.

### **Examples of initializing the RECON data set**

Here are some examples of using the INIT.RECON command.

#### **Example 1 for INIT.RECON command**

```
//INITRCON JOB
:
//RECON1 DD DSN=RECON7,DISP=SHR
//RECON2 DD DSN=RECON8,DISP=SHR
//SYSIN DD *
INIT.RECON NOCHECK SSID(IMSB) LOGRET('007 00:00:30.0')
/*
```

In this example, the RECON data sets are identified by the RECON1 and RECON2 DD statements.

### Example 2 for INIT.RECON command

```
//INITRCON JOB
:
//SYSIN DD *
INIT.RECON CMDAUTH(SAF,SAFHLQ1,IMSTESTS.DSHR)
/*
```

In this example, if the RECON COPY1 data set name is IMSTESTS.DSHR.RECON1, DBRC command authorization security will remain enforced for any future access attempts on the RECON data set, because the *rcnqual* value of "IMSTESTS.DSHR" is a substring of the RECON COPY1 data set name IMSTESTS.DSHR.RECON1.

If you copy this RECON data set into a data set whose name has COPYDSHR as the second level qualifier, DBRC command authorization security will be disabled for any future access attempts on the RECON data set, because when the copy is made, the RECON COPY1 data set name is changed to IMSTESTS.COPYDSHR.RECON1, which no longer contains the *rcnqual* string value of "IMSTESTS.DSHR".

### Example 3 for INIT.RECON command

```
//INITRCON JOB
:
//RECON1 DD DSN=ILOVE.IMS.SAIDPAT.RECON1,DISP=SHR
//RECON2 DD DSN=ILOVE.IMS.SAIDPAT.RECON2,DISP=SHR
//SYSIN DD *
INIT.RECON SSID(GREG) LOGRET('007 00:00:30.0') CATALOG(DFSCD000)
/*
```

#### Related reference:

"DELETE.LOG command (for RLDS and SLDS)" on page 182

"DBRC time stamps" on page 52

---

## INIT.SG command

Use the INIT.SG command to define a service group as a member of a global service group (GSG).

Every service group in the GSG must be defined in every RECON data set that is to be used by any IMS subsystem in the GSG. This command also specifies the initial role of the service group.

This command fails if RSRFEAT=NO is specified in the IMSCTRL macro.

Subsections:

- "Syntax"
- "Keywords" on page 341
- "Example of creating service groups" on page 341

### Syntax

```
▶▶ INIT.SG—GSGNAME(gsgname)—SGNAME(sname)—

|          |
|----------|
| ACTIVE   |
| TRACKING |

—

|          |
|----------|
| NONLOCAL |
| LOCAL    |

▶▶
```



## Keywords

### ACTIVE | TRACKING

Mutually exclusive, required keywords that you use to specify the initial role of the service group.

#### ACTIVE

Indicates that the service group is an active subsystem. ACTIVE can only be specified for one service group of a GSG.

#### TRACKING

Indicates that the service group is a tracking subsystem. TRACKING can only be specified for one service group of a GSG.

### GSGNAME(*gsgname*)

Required keyword you use to specify the name of the GSG to which the service group belongs.

### SGNAME(*sname*)

Required keyword you use to specify the name of the service group you want to create.

### NONLOCAL | LOCAL

Mutually exclusive, optional keywords that you use to specify whether the service group is local or nonlocal.

#### NONLOCAL

Indicates that this is the nonlocal service group for this set of RECON data sets.

#### LOCAL

Indicates that this is the local service group for this set of RECON data sets.

## Example of creating service groups

In this example, the ACTIVE service group named STLSITE1 is added to the GSG IMSGSG1, and a LOCAL TRACKING service group named STLSITE2 is added to the same GSG.

```
//INITSG JOB
:
//SYSIN DD *
INIT.SG GSGNAME(IMSGSG1) SGNAME(STLSITE1) ACTIVE
INIT.SG GSGNAME(IMSGSG1) SGNAME(STLSITE2) TRACKING LOCAL
/*
```



---

## Chapter 15. LIST commands

Use the LIST commands to produce a formatted printout of all or selected information contained in a RECON data set.

---

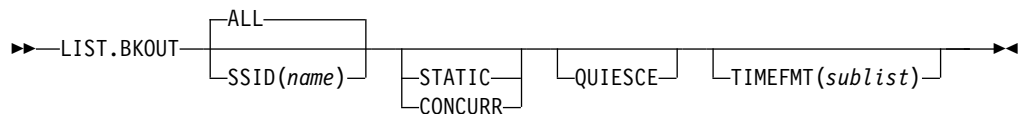
### LIST.BKOUT command

Use the LIST.BKOUT command to list information about the backout record for the selected subsystem or to list all backout records in the RECON data set.

Subsections:

- “Syntax”
- “Keywords”
- “Example of listing information about a backout record” on page 344

#### Syntax



#### Keywords

##### ALL | **SSID(name)**

Mutually exclusive, optional keywords that identify the backout records that are to be displayed.

##### **ALL**

Specifies that all the backout records in the RECON data set are to be displayed.

##### **SSID(name)**

Specifies that only one backout record is to be displayed. *name* is an eight-character alphanumeric string that identifies a valid subsystem ID.

##### **QUIESCE**

Optional keyword that you use to indicate that, if the RECON access is parallel and the STATIC keyword is specified or defaulted to, the RECON data set is to be quiesced to process the command. QUIESCE is ignored if the CONCURR keyword is specified or defaulted to.

##### **STATIC** | **CONCURR**

Mutually exclusive, optional keywords that you use to control how the list output is produced when parallel RECON access is in effect. If specified when parallel access is not in effect, the keyword is ignored.

If neither STATIC nor CONCURR is specified, the default setting from the RECON header record is used. (The default is set by the INIT.RECON command, by a CHANGE.RECON LIST command, or by upgrade processing.)

##### **STATIC**

Specifies that the list output is to be consistent as of a point in time during list processing. The RECON records accessed by list processing cannot be updated by other DBRC instances until list processing has completed.

### CONCURR

Specifies that list processing can occur concurrent with RECON update activity. In this case, the list output may not reflect the state of the RECON data at any point in time.

### TIMEFMT(*sublist*)

Optional keyword that you use to define the form in which time stamps appear in messages, displays, and listings from DBRC.

The LIST commands get the TIMEFMT default from what is specified in the RECON header record.

## Example of listing information about a backout record

The following example shows how to use the LIST.BKOUT command to list information about the backout record for subsystem IMS1.

```
//LISTBKOUT JOB
:
//SYSIN DD *
LIST.BKOUT SSID(IMS1)
/*
```

### Related reference:

Chapter 19, “Sample listings from the RECON data set,” on page 423  
“DBRC time stamps” on page 52

---

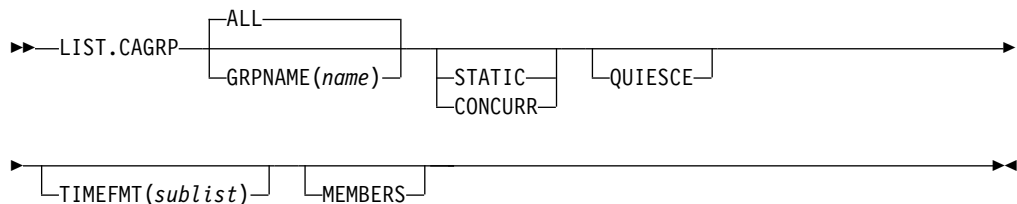
## LIST.CAGRP command

Use the LIST.CAGRP command to list information in the Copy1 RECON data set about either a specified CA group or all CA groups.

Subsections:

- “Syntax”
- “Keywords”
- “Example of specifying the CA group and CA records using GRPNAME” on page 345

### Syntax



### Keywords

#### ALL | GRPNAME(*name*)

Mutually exclusive, optional keywords you use to specify the name of the CA group for which information is to be displayed.

**ALL**

Produces a list of the CA group record and corresponding change accumulation run records for each CA group in the RECON data set.

**GRPNAME(*name*)**

Produces a list of the CA group record and the change accumulation run records for the group that you request in *name*.

**MEMBERS**

Optional keyword you use to only list information about the CA group definition. CA execution information is not listed.

**QUIESCE**

Optional keyword to indicate that, if the RECON access is parallel and the STATIC keyword is specified or defaulted to, the RECON data set is quiesced to process the command. QUIESCE is ignored if the CONCURR keyword is specified or defaulted to.

**STATIC | CONCURR**

Mutually exclusive, optional keywords that you use to control how the list output is produced when parallel RECON access is in effect. If specified when parallel access is not in effect, the keyword is ignored.

If neither STATIC nor CONCURR is specified, the default setting from the RECON header record is used. (The default is set by the INIT.RECON command, by a CHANGE.RECON LIST command, or by upgrade processing.)

**STATIC**

Specifies that the list output is to be consistent as of a point in time during list processing. The RECON records accessed by list processing cannot be updated by other DBRC instances until list processing has completed.

**CONCURR**

Specifies that list processing can occur concurrent with RECON update activity. In this case, the list output may not reflect the state of the RECON data at any point in time.

**TIMEFMT(*sublist*)**

Optional keyword you use to define the form in which time stamps appear in messages, displays, and listings from DBRC. The five values are positional. Each is optional and can be omitted by including only the comma.

The TIMEFMT default for LIST commands is obtained from what is specified in the RECON header record.

**Example of specifying the CA group and CA records using GRPNAME**

In this example, the CA group record and the associated CA records are specified by the GRPNAME keyword.

```
//LISTCAGP JOB
:
//SYSIN DD *
LIST.CAGRP GRPNAME (MYGROUP)
/*
```

**Related reference:**

Chapter 19, “Sample listings from the RECON data set,” on page 423  
 “DBRC time stamps” on page 52

## LIST.DB command

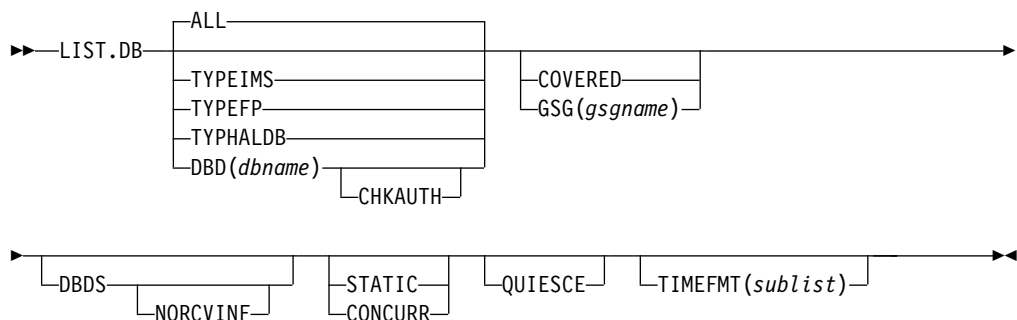
Use the LIST.DB command to receive a list of databases that are registered in the RECON data set. You can list one or all database records, with or without their associated DBDS records.

The LIST.DB command displays the recoverable or nonrecoverable status of the database.

Subsections:

- "Syntax"
- "Keywords"
- "Example of displaying a database without its DBDS records" on page 348

### Syntax



### Keywords

#### ALL | TYPEIMS | TYPEFP | TYPHALDB | DBD(*dbname*)

Mutually exclusive, optional keywords you use to specify which databases in the RECON data set are to be displayed.

#### **ALL**

Specifies that all database records in the RECON data set are to be displayed. For HALDB databases, the partition database records are listed under the master record.

#### **TYPEIMS**

Specifies that all database records in the RECON data set that describe a DL/I database are to be displayed.

#### **TYPEFP**

Specifies that all database records in the RECON data set that describe a Fast Path DEDB are to be displayed.

#### **TYPHALDB**

Specifies that all database records that represent HALDB databases are to be displayed, including the HALDB master database records (TYPE=HALDB) along with their associated HALDB partition database records (TYPE=PART).

#### **DBD(*dbname*)**

Displays a specific database record or recovery group for a database.

**Restriction for HALDB databases:** For HALDB databases, specifying the HALDB master name lists the HALDB master record and all of its partition database records. Specifying the partition database name lists only the partition database record.

#### **CHKAUTH**

Optional keyword you use to check the authorization status of the specified DBD. DBD can be either a full-function database, a Fast Path database, a HALDB master, or a HALDB partition. Nothing will be listed. DSP0044I and RC=04 will be received if the DBD is authorized to a subsystem. Only RC=00 will be received if the DBD is not authorized.

Only the DBD keyword is valid with the CHKAUTH keyword. If DBD is not specified, the command fails. If any other keywords are specified, they are ignored.

#### **COVERED | GSG(*gsaname*)**

Mutually exclusive, optional keywords you use to qualify the database records in the RECON data set that are to be displayed. You cannot specify either COVERED or GSG(*gsaname*) if DBD is specified.

#### **COVERED**

Specifies that all RSR-covered databases are to be displayed.

#### **GSG(*gsaname*)**

Specifies that only databases covered by the specified global service group are to be displayed.

#### **DBDS**

Optional keyword you use to display those DBDSs or areas in the RECON data set that are associated with the specified database. DBDS information includes recovery-related records (ALLOC, IC, RECOV, REORG). If you do not specify this keyword, no DBDS records or area records are displayed.

#### **NORCVINF**

Suppresses recovery-related records (ALLOC, IC, RECOV, REORG) for those DBDSs or areas in the RECON data set that are associated with the specified database.

If the LIST.DB command output is truncated and message DSP0057I is returned, you can specify the NORCVINF keyword to minimize the size of the output.

#### **QUIESCE**

Optional keyword to indicate that, if the RECON access is parallel and the STATIC keyword is specified or defaulted to, the RECON data set is to be quiesced to process the command. QUIESCE is ignored if the CONCURR keyword is specified or defaulted to.

#### **STATIC | CONCURR**

Mutually exclusive, optional keywords that you use to control how the list output is produced when parallel RECON access is in effect. If specified when parallel access is not in effect, the keyword is ignored.

If neither STATIC nor CONCURR is specified, the default setting from the RECON header record is used. (The default is set by the INIT.RECON command, by a CHANGE.RECON LIST command, or by upgrade processing.)

#### **STATIC**

Specifies that the list output is to be consistent as of a point in time during

list processing. The RECON records accessed by list processing cannot be updated by other DBRC instances until list processing has completed.

**CONCURR**

Specifies that list processing can occur concurrent with RECON update activity. In this case, the list output might not reflect the state of the RECON data at any point in time.

**TIMEFMT(sublist)**

Optional keyword you use to define the form in which time stamps appear in messages, displays, and listings from DBRC. The five values are positional. Each is optional and can be omitted by including only the comma.

The TIMEFMT default for LIST commands is obtained from what is specified in the RECON header record.

**Example of displaying a database without its DBDS records**

In this example, database DEDBAB12, without its associated DBDS records, is displayed.

Input:

```
//LISTDB
:
//SYSIN DD *
LIST.DB DBD(DEDBAB12)
/*
```

Response:

```
LIST.DB DBD(DEDBAB12)
```

```
-----
DB
DBD=DEDBAB12                DMB#=8        TYPE=FP
SHARE LEVEL=3
FLAGS:
PROHIBIT AUTHORIZATION=OFF
RECOVERABLE                =YES
FULLSEG DEFAULT            =NO
COUNTERS:
RECOVERY NEEDED COUNT     =3
IMAGE COPY NEEDED COUNT   =0
AUTHORIZED AREAS          =1
EEQE COUNT                 =0
ALTER COUNT               =1
ALTER COMPLETE COUNT      =1
-----
```

**Related concepts:**

 [Overview of recovery of databases \(Database Administration\)](#)

**Related reference:**

Chapter 19, “Sample listings from the RECON data set,” on page 423  
“DBRC time stamps” on page 52

 [/RMxxxxxx commands \(Commands\)](#)



---

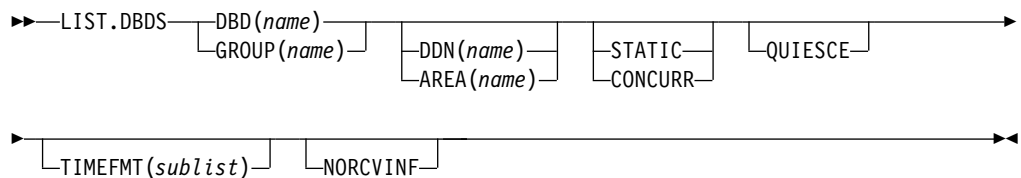
## LIST.DBDS command

Use the LIST.DBDS command to display a list of all records in the RECON data set that contain information about a specific DBDS or DEDB area.

Subsections:

- “Syntax”
- “Keywords”
- “Example of displaying a list of records” on page 350

### Syntax



### Keywords

#### DBD(*name*) | GROUP(*name*)

Mutually exclusive, required keywords you use to identify the DBDS or DEDB area being listed.

##### DBD(*name*)

Specifies the database name of the DBDS or DEDB area being displayed.

**Restrictions for HALDB databases:** For HALDB databases, you can specify either a HALDB master database name or a HALDB partition name when you do not specify the DDN keyword. When you specify the DDN keyword, you can specify only a HALDB partition name.

##### GROUP(*name*)

Specifies that all DBDSs or DEDB areas of the named DBDS group are to be displayed. If GROUP is specified, the LIST.DBDS command is executed for each member of the identified group.

#### DDN(*name*) | AREA(*name*)

Mutually exclusive, optional keywords you use to identify the DBDS or DEDB area to be displayed. You specify one of these keywords only when you specify the DBD keyword.

##### DDN(*name*)

Specifies the name of the DBDS to display.

**Restrictions for HALDB databases:** For HALDB databases, you must specify a HALDB partition name (not a HALDB master name) with the DBD keyword in order to use the DDN keyword. The DDN keyword value is the HALDB partition DDN. The LIST.DBDS command is performed for the identified DBDS of the partition. The LIST.DBDS command fails if DDN does not identify a DBDS in the partition.

##### AREA(*name*)

Specifies the name of the DEDB area to display.

If neither DDN nor AREA is specified, the LIST.DBDS command is executed for each DBDS or DEDB area of the specified database.

**Restrictions for HALDB databases:** If you specify a HALDB master name, the LIST.DBDS command is performed for each DBDS for each HALDB partition in the HALDB master. If you specify a HALDB partition name, the LIST.DBDS command is performed for each DBDS of the identified partition.

#### **NORCVINF**

Suppresses recovery-related records (ALLOC, IC, RECOV, REORG) for all of the displayed DBDSs and DEDB areas. If you do not specify this keyword, you get a list of all records in the RECON data set that contain information about the displayed DBDSs and DEDB areas.

If the LIST.DBDS command output is truncated and message DSP0057I is returned, you can specify the NORCVINF keyword to minimize the size of the output.

#### **QUIESCE**

Optional keyword to indicate that, if the RECON access is parallel and the STATIC keyword is specified or defaulted to, the RECON data set is to be quiesced to process the command. QUIESCE is ignored if the CONCURR keyword is specified or defaulted to.

#### **STATIC | CONCURR**

Mutually exclusive, optional keywords that you use to control how the list output is produced when parallel RECON access is in effect. If specified when parallel access is not in effect, the keyword is ignored.

If neither STATIC nor CONCURR is specified, the default setting from the RECON header record is used. (The default is set by the INIT.RECON command, by a CHANGE.RECON LIST command, or by upgrade processing.)

#### **STATIC**

Specifies that the list output is to be consistent as of a point in time during list processing. The RECON records accessed by list processing cannot be updated by other DBRC instances until list processing has completed.

#### **CONCURR**

Specifies that list processing can occur concurrent with RECON update activity. In this case, the list output might not reflect the state of the RECON data at any point in time.

#### **TIMEFMT** (*sublist*)

Optional keyword you use to define the form in which time stamps appear in messages, displays, and listings from DBRC. The five values are positional. Each is optional and can be omitted by including only the comma.

The TIMEFMT default for LIST commands is obtained from what is specified in the RECON header record.

### **Example of displaying a list of records**

In this example, a list of all records in the RECON data set that contain information about DEDB area AREA01 is displayed.

Input:

```
//LISTDBDS JOB
:
//SYSIN DD *
LIST.DBDS DBD(FPEDBD02) AREA(AREA01)
/*
```

Response:

```
LIST.DBDS DBD(FPEDBD02) AREA(AREA01)
```

```
-----
DBDS
  DBD=FPEDBD02 AREA=AREA01                                TYPE=FP
  SHARE LEVEL=3          DSID=00001 DBORG=DEDB   DSORG=VSAM
  GSGNAME=**NULL**      USID=0000000002
  AUTHORIZED USID=0000000002 RECEIVE USID=0000000002 HARD USID=0000000002
  RECEIVE NEEDED USID=0000000000
  CAGRP=**NULL** GENMAX=2 IC AVAIL=0 IC USED=0 DSSN=00000001
  NOREUSE RECOVPD=0 NOVSO NOPREOPEN NOPRELOAD NOFULLSG
  CFSTR1=**NULL** CFSTR2=**NULL** NOLKASID NOMAS
  DEFLTJCL=**NULL** ICJCL=ICJCL RECVJCL=ICRCVJCL RECOVJCL=RECOVJCL
  DBRCVGRP=**NULL**
  FLAGS:
    PROHIBIT AUTHORIZATION=OFF
    IC NEEDED =OFF
    IC RECOMMENDED =ON
    RECOV NEEDED =OFF
    RECEIVE NEEDED =OFF
    OFR REQUIRED =NO
    TRACKING SUSPENDED =NO
    HSSP CIC IN PROGRESS =NO
    QUIESCE IN PROGRESS =NO
    QUIESCE HELD =NO
    ALTER IN PROGRESS =YES
    COUNTERS:
      AUTHORIZED SUBSYSTEMS =1
      HELD AUTHORIZATION STATE=6
      ADS AVAIL # =1
      REGISTERED ADS # =1
      EEQE COUNT =0
      SHADOW ADS AVAIL # =2
      REGISTERED SHADOW ADS # =2
```

ADS LIST:

```
-ADS DDN--ADS DSN-          CREATE
DB21AR0 IMSTESTS.DB21AR0    -STAT- -RUNNING-
AVAIL NO
```

SHADOW ADS LIST:

```
-ADS DDN--ADS DSN-          CREATE
DB21AS01 IMSTESTS.DB21AR0.SHADOW -STAT- -RUNNING-
AVAIL NO
DB21AS02 IMSTESTS.DB21AR0.SHADOW.IC AVAIL NO IC
```

ASSOCIATED SUBSYSTEM INFORMATION:

```
          ENCODED
-SSID-   -ACCESS INTENT- -STATE- -SS ROLE-
IMS1     UPDATE         6        ACTIVE
```

**Related reference:**

Chapter 19, "Sample listings from the RECON data set," on page 423

"DBRC time stamps" on page 52

 /RMxxxxxx commands (Commands)

---

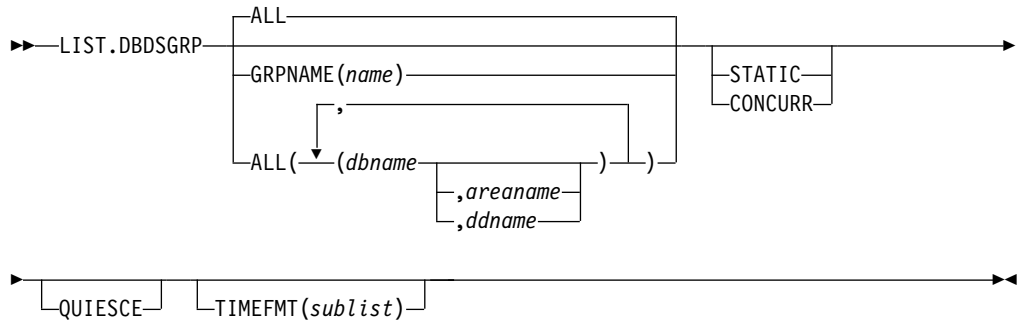
## LIST.DBDSGRP command

Use the LIST.DBDSGRP command to display a list of all three kinds of data group records (DB groups, DBDS groups, and recovery groups) in the RECON data set, a list of the members of a single data group record, or a list of all data group records containing a specified member or members.

Subsections:

- “Syntax”
- “Keywords”
- “Example of displaying the members of a DBDS group” on page 353

## Syntax



## Keywords

**ALL | GRPNAME(name) | ALL(dbname, areaname | ddname)**

Mutually exclusive, optional keywords you use to specify the groups to be listed.

### ALL

Produces a list of all the DBDS, DB, and recovery groups identified in the RECON data set. All is the default.

### GRPNAME

Produces a list of the members of the specified group. The named group must exist in the RECON data set.

### ALL(dbname, areaname, ddname)

Produces a limited list of the DBDS, DB, and recovery groups identified in the RECON data set. Use the keywords (*dbname, areaname, ddname*) to limit the number of records listed. A group is listed only if it contains one or more of the databases, DBDSs, or areas specified.

**Restriction for HALDB databases:** For the LIST.DBDSGRP command, *dbname* can specify either the name of a HALDB partition or a HALDB master database.

### QUIESCE

Optional keyword to indicate that, if the RECON access is parallel and the STATIC keyword is specified or defaulted to, the RECON data set is to be quiesced to process the command. QUIESCE is ignored if the CONCURR keyword is specified or defaulted to.

### STATIC | CONCURR

Mutually exclusive, optional keywords that you use to control how the list output is produced when parallel RECON access is in effect. If specified when parallel access is not in effect, the keyword is ignored.

If neither STATIC nor CONCURR is specified, the default setting from the RECON header record is used. (The default is set by the INIT.RECON command, by the CHANGE.RECON command, or by upgrade processing.)

**STATIC**

Specifies that the list output is to be consistent as of a point in time during list processing. The RECON records accessed by list processing cannot be updated by other DBRC instances until list processing has completed.

**CONCURR**

Specifies that list processing can occur concurrent with RECON update activity. In this case, the list output may not reflect the state of the RECON data at any point in time.

**TIMEFMT(sublist)**

Optional keyword you use to define the form in which time stamps appear in messages, displays, and listings from DBRC. The five values are positional. Each is optional and can be omitted by including only the comma.

The TIMEFMT default for LIST commands is obtained from what is specified in the RECON header record.

**Example of displaying the members of a DBDS group**

In this example, the members of a specified DBDS group are displayed.

```
//LISTDBGP  JOB
:
//SYSIN      DD *
LIST.DBDSGRP  GRPNAME(DBDSG1)
/*
```

**Related reference:**

“DBRC time stamps” on page 52

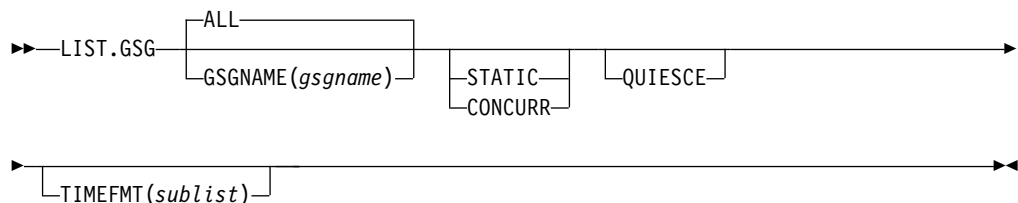
**LIST.GSG command**

Use the LIST.GSG command to receive a list of the global service group records in the RECON data set.

This command fails if RSRFEAT=NO is specified in the IMSCTRL macro.

Subsections:

- “Syntax”
- “Keywords” on page 354
- “Example of listing a global service group” on page 354

**Syntax**

## Keywords

### **ALL** | **GSGNAME**(*gsgname*)

Mutually exclusive, optional keywords you use to specify which GSG records in the RECON data set are to be displayed.

#### **ALL**

Specifies that all GSG records in the RECON data set are to be displayed.

#### **GSGNAME**(*gsgname*)

Displays a specific GSG record.

### **QUIESCE**

Optional keyword to indicate that, if the RECON access is parallel and the **STATIC** keyword is specified or defaulted to, the RECON data set is to be quiesced to process the command. **QUIESCE** is ignored if the **CONCURR** keyword is specified or defaulted to.

### **STATIC** | **CONCURR**

Mutually exclusive, optional keywords that you use to control how the list output is produced when parallel RECON access is in effect. If specified when parallel access is not in effect, the keyword is ignored.

If neither **STATIC** nor **CONCURR** is specified, the default setting from the RECON header record is used. (The default is set by the **INIT.RECON** command, by a **CHANGE.RECON LIST** command, or by upgrade processing.)

#### **STATIC**

Specifies that the list output is to be consistent as of a point in time during list processing. The RECON records accessed by list processing cannot be updated by other DBRC instances until list processing has completed.

#### **CONCURR**

Specifies that list processing can occur concurrent with RECON update activity. In this case, the list output may not reflect the state of the RECON data at any point in time.

### **TIMEFMT**(*sublist*)

Optional keyword you use to define the form in which time stamps appear in messages, displays, and listings from DBRC. The five values are positional. Each is optional and can be omitted by including only the comma.

The **TIMEFMT** default for **LIST** commands is obtained from what is specified in the RECON header record.

## Example of listing a global service group

In this example a single GSG record is displayed.

```
//LISTGSG JOB
:
//SYSIN DD *
LIST.GSG GSGNAME(GSG1)
/*
```

### **Related reference:**

Chapter 19, "Sample listings from the RECON data set," on page 423  
"DBRC time stamps" on page 52

---

## LIST.HISTORY command

Use the LIST.HISTORY command to produce a history-of-activity listing for DBDSs or DEDB areas.

The output of the LIST.HISTORY command consists of:

- The database record listing.
- The DBDS record listing. (For a DEDB area, the area authorization and area recovery records are combined to form a DBDS record listing.)
- The following records (if present), listed in time sequence order under each DBDS or area:
  - ALLOC records.
  - IMAGE records.
  - CA execution records, showing the purge time only for the current DBDS or area.
  - RECOV records.
  - REORG records.
- The PRILOG records associated with all ALLOC records listed.
- A timeline summary that interrelates all the events represented by the records listed above.

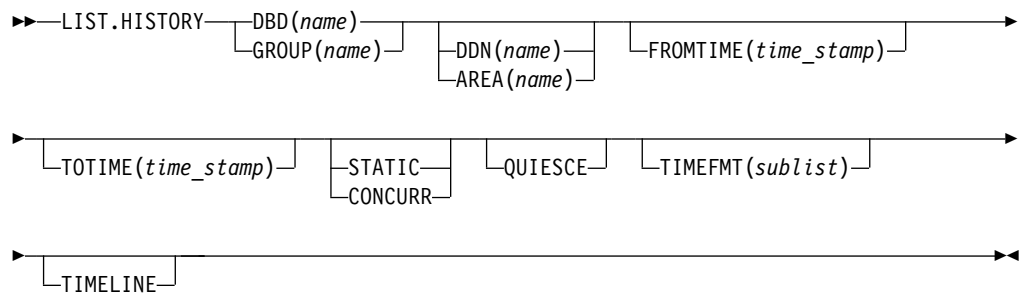
You can use the FROMTIME and TOTIME keywords to define a time range that excludes these records:

- ALLOC records for USIDs that are not active within the range. If any ALLOC record is active within the time range, all ALLOCs for the same USID are listed.
- IMAGE records with RUN times (or for CICs, an effective purge time) outside the range.
- CA execution records with STOP and PURGE times outside the range.
- RECOV records with RUN and RECOV TO times outside the range.
- REORG records with RUN times outside the range.

Subsections:

- “Syntax”
- “Keywords” on page 356
- “Example of displaying the activity history of a DBDS” on page 357

### Syntax



## Keywords

### **DBD**(*name*) | **GROUP**(*name*)

Mutually exclusive, required keywords you use to identify the DBDS or DEDB area to list.

#### **DBD**(*name*)

Specifies the database name of the DBDS or DEDB area to be listed.

**Restrictions for HALDB databases:** For HALDB databases, you can specify either a HALDB master database name or a HALDB partition name when you do not specify the DDN keyword. When you specify the DDN keyword, you can only specify a HALDB partition name.

#### **GROUP**(*name*)

Specifies that all the DBDSs or DEDB areas of a DBDS group or CA group are to be listed. If GROUP is specified, the LIST.HISTORY command is executed for each member of the identified group.

### **DDN**(*name*) | **AREA**(*name*)

Mutually exclusive, optional keywords you use to identify the DBDS or DEDB area to be listed. You specify one of these keywords only when you specify the DBD keyword.

#### **DDN**(*name*)

Specifies the name of the DBDS to list.

**Restrictions for HALDB databases:** For HALDB databases, you must specify a partition database name with the DBD keyword in order to use the DDN keyword. The DDN keyword value is the partition DDN. The LIST.HISTORY command is performed for the identified DBDS of the partition. The LIST.HISTORY command fails if DDN does not identify a DBDS in the partition.

#### **AREA**(*name*)

Specifies the name of the DEDB area to list.

If neither DDN nor AREA is specified, the LIST.HISTORY command is executed for each DBDS or DEDB area of the specified database.

**Restrictions for HALDB databases:** If you specify a HALDB master name, the LIST.HISTORY command is performed for each DBDS for each partition in the HALDB master. If you specify a HALDB partition name, the LIST.HISTORY command is performed for each DBDS of the identified partition.

### **FROMTIME**(*time\_stamp*)

Optional keyword you use to specify the time stamps of the DBDS or DEDB area records that are to be listed in time sequence order. The time stamp must be in standard form. Those records that are not listed in time-sequence order are listed regardless of whether FROMTIME or TOTIME are specified. FROMTIME specifies the time stamp of the oldest record to be listed. If you specify only FROMTIME, all subsequent, pertinent records in the RECON data set are listed.

You can combine the FROMTIME and TOTIME keywords in order to specify a range of records to display.

If you specify neither FROMTIME nor TOTIME, all the records that exist in the RECON data set for the specified DBDSs or DEDB areas are listed.



## QUIESCE

Optional keyword to indicate that, if the RECON access is parallel and the STATIC keyword is specified or defaulted to, the RECON data set is to be quiesced to process the command. QUIESCE is ignored if the CONCURR keyword is specified or defaulted to.

## STATIC | CONCURR

Mutually exclusive, optional keywords that you use to control how the list output is produced when parallel RECON access is in effect. If specified when parallel access is not in effect, the keyword is ignored.

If neither STATIC nor CONCURR is specified, the default setting from the RECON header record is used. (The default is set by the INIT.RECON command, by a CHANGE.RECON LIST command, or by upgrade processing.)

### STATIC

Specifies that the list output is to be consistent as of a point in time during list processing. The RECON records accessed by list processing cannot be updated by other DBRC instances until list processing has completed.

### CONCURR

Specifies that list processing can occur concurrent with RECON update activity. In this case, the list output may not reflect the state of the RECON data at any point in time.

## TOTIME(*time\_stamp*)

Optional keyword you use to specify the time stamps of the DBDS or DEDB area records to be listed in time-sequence order. The time stamp must be in standard form. Those records not listed in time-sequence order are listed regardless of whether FROMTIME or TOTIME are specified. TOTIME specifies the time stamp of the last record to be listed. If you specify only TOTIME, that record plus all prior, pertinent records in the RECON data set are listed.

You can combine the FROMTIME and TOTIME keywords in order to specify a range of records to display.

If you specify neither FROMTIME nor TOTIME, all the records that exist in the RECON data set for the specified DBDSs or DEDB areas are listed.

## TIMEFMT(*sublist*)

Optional keyword you use to define the form in which time stamps appear in messages, displays, and listings from DBRC. The five values are positional. Each is optional and can be omitted by including only the comma.

The TIMEFMT default for LIST commands is obtained from what is specified in the RECON header record.

## TIMELINE

Optional keyword you use to specify that only the timeline summary should be listed in the output.

## Example of displaying the activity history of a DBDS

In this example, the activity history of a specified DBDS is displayed.

```
//LISTHIST    JOB
:
//SYSIN      DD *
LIST.HISTORY DBD(DB1) DDN(NAME1)
/*
```

**Related reference:**

“Sample listing of LIST.HISTORY command output” on page 423

“DBRC time stamps” on page 52

---

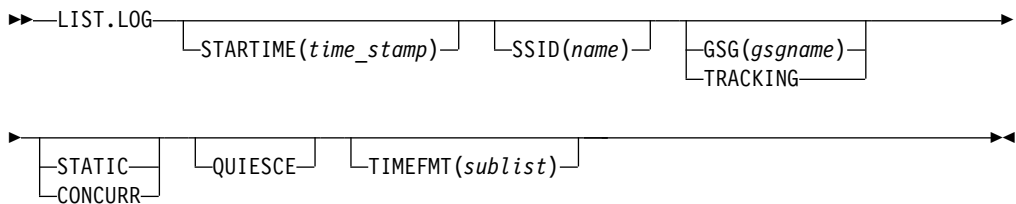
## LIST.LOG command (for a PRILOG family)

Use the LIST.LOG command to display the PRILOG record, as well as any LOGALL, SECLOG, PRISLD, or SECSLD records that have the specified start time.

Subsections:

- “Syntax”
- “Keywords”
- “Example of listing a PRILOG family of records” on page 359

### Syntax



### Keywords

#### STARTIME(*time\_stamp*)

Optional keyword you use to specify the start time of the records that you want displayed.

#### SSID(*name*)

Optional keyword that limits the display of log records or OLDS entries to those associated with the specified subsystem.

#### GSG(*gsgname*) | TRACKING

Mutually exclusive, optional keywords that you use to specify that log data sets for an RSR tracking subsystem are to be displayed. LIST.LOG ALL does not show RSR tracking subsystem information.

#### GSG(*gsgname*)

Optional keyword that limits the display of log records to those associated with the specified GSG.

If the name in any of the records listed does not match the specified name, message DSP0144 is issued and processing continues.

#### TRACKING

Indicates that only records of log data sets created by tracking subsystems in the global service group are to be displayed.

#### QUIESCE

Optional keyword to indicate that, if the RECON access is parallel and the STATIC keyword is specified or defaulted to, the RECON data set is to be quiesced to process the command. QUIESCE is ignored if the CONCURR keyword is specified or defaulted to.

#### STATIC | CONCURR

Mutually exclusive, optional keywords that you use to control how the list

output is produced when parallel RECON access is in effect. If specified when parallel access is not in effect, the keyword is ignored.

If neither **STATIC** nor **CONCURR** is specified, the default setting from the RECON header record is used. (The default is set by the **INIT.RECON** command, by a **CHANGE.RECON LIST** command, or by upgrade processing.)

#### **STATIC**

Specifies that the list output is to be consistent as of a point in time during list processing. The RECON records accessed by list processing cannot be updated by other DBRC instances until list processing has completed.

#### **CONCURR**

Specifies that list processing can occur concurrent with RECON update activity. In this case, the list output may not reflect the state of the RECON data at any point in time.

#### **TIMEFMT(sublist)**

Optional keyword you use to define the form in which time stamps appear in messages, displays, and listings from DBRC. The five values are positional. Each is optional and can be omitted by including only the comma.

The **TIMEFMT** default for **LIST** commands is obtained from what is specified in the RECON header record.

**Attention:** If the **ERROR**, **OPEN**, or **UNARCH** keywords are coded, message **DSP0141I** is issued and the command fails.

If the **FROMTIME**, **TOTIME**, **INTERIM**, or **TRACKING** keywords are coded, **STARTIME** is ignored and the command defaults to **ALL** processing as described under the next section.

### **Example of listing a PRILOG family of records**

In the example, all **PRILOG**, **SECLOG**, **PRISLD**, **SECSLD**, and **LOGALL** records that have the specified start time are listed.

```
//LISTLOG JOB
:
//SYSIN DD *
LIST.LOG STARTIME('07.023 12:12:12.123456 PST')
/*
```

#### **Related reference:**

“DBRC time stamps” on page 52

---

## **LIST.LOG command (for a category of records)**

Use the **LIST.LOG** command to display the **PRILOG** record, as well as any **LOGALL**, **SECLOG**, **PRISLD**, or **SECSLD** records that have the specified start time. The syntax of this command is different depending on the list of the records it displays.

#### Subsections:

- “Syntax” on page 360
- “Keywords” on page 361
- “Examples” on page 362

## Syntax

### Syntax for PRILOG, LOGALL, SECLOG, PRISLD, SECSLD, PRIOLD, and SECOLD records

```
▶▶—LIST.LOG—ALL—| A |—————▶▶
```

### Syntax for IPRI, ISEC, IPRISL, ISECSL, IPRIOL, and ISECOL records

```
▶▶—LIST.LOG—ALL—INTERIM—| A |—————▶▶
```

### Syntax for PRITSLDS and SECTSLDS records

```
▶▶—LIST.LOG—ALL—TRACKING—| A |—————▶▶
```

### Syntax for IPRITSLD and ISECTSLD records

```
▶▶—LIST.LOG—ALL—TRACKING—INTERIM—| A |—————▶▶
```

### Syntax for PRIOLD and SECOLD records

```
▶▶—LIST.LOG—ALLOLDS—| A |—————▶▶
```

- PRIOLD
- SECOLD

### Syntax for IPRIOL and ISECOL records

```
▶▶—LIST.LOG—ALLOLDS—INTERIM—| A |—————▶▶
```

- IPRIOL
- ISECOL

### Syntax for PRIOLD and SECOLD records with matching DD names and subsystem names

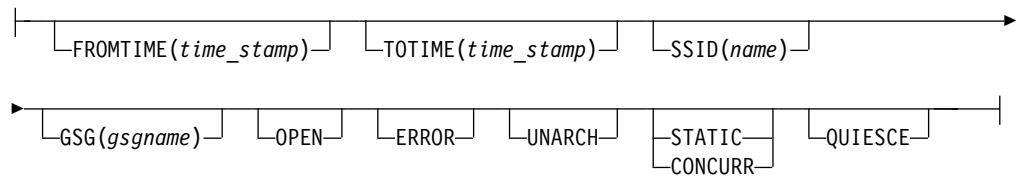
```
▶▶—LIST.LOG—OLDS(ddname)—SSID(name)—| A |—————▶▶
```

LIST.LOG OLDS displays only the data set entries with matching DD names and subsystem names. If SSID is omitted, processing is the same as for ALLOLDS.

The LIST.LOG command can be further qualified with one or more of the following optional keywords. For example, combining SSID and OPEN limits the display to logs and OLDS entries that belong to a specified subsystem and to those that are not closed.

The optional keywords for LIST.LOG ALL, ALLOLDS, and OLDS are:

**A:**



## Keywords

### FROMTIME(*time\_stamp*)

Optional keyword that limits the display to log records or OLDS entries starting at, or after, this time. The time stamp must be in standard form.

FROMTIME specifies the time stamp of the oldest record to be listed. If you specify only FROMTIME, all subsequent, pertinent records in the RECON data set are listed.

You can specify both FROMTIME and TOTIME keywords in order to specify a range of records to display.

For PRILOG, SECLOG, PRISLD, SECSLD, IPRI, ISEC, IPRISL, ISECSL, PRITSLDS, SECTSLDS, IPRISLD, and ISECTSLD records, the FROMTIME time stamp is compared against the time the subsystem started (START = ). This start time has an asterisk (\*) beside it when the record is listed.

For PRIOLD, SECOLD, IPRIOL, and ISECOL records, the FROMTIME time stamp is compared against the time the subsystem started (PRILOG TIME = ).

### QUIESCE

Optional keyword to indicate that, if the RECON access is parallel and the STATIC keyword is specified or defaulted to, the RECON data set is to be quiesced to process the command. QUIESCE is ignored if the CONCURR keyword is specified or defaulted to.

### STATIC | CONCURR

Mutually exclusive, optional keywords that you use to control how the list output is produced when parallel RECON access is in effect. If specified when parallel access is not in effect, the keyword is ignored.

If neither STATIC nor CONCURR is specified, the default setting from the RECON header record is used. (The default is set by the INIT.RECON command, by a CHANGE.RECON LIST command, or by upgrade processing.)

### STATIC

Specifies that the list output is to be consistent as of a point in time during list processing. The RECON records accessed by list processing cannot be updated by other DBRC instances until list processing has completed.

### CONCURR

Specifies that list processing can occur concurrent with RECON update activity. In this case, the list output may not reflect the state of the RECON data at any point in time.

### TOTIME(*time\_stamp*)

Optional keyword that limits the display to log records or OLDS entries starting at, or before, this time. The time stamp must be in standard form.

TOTIME specifies the time stamp of the last record to be listed. If you specify only TOTIME, that record plus all prior pertinent records in the RECON data set are listed.

You can specify both FROMTIME and TOTIME keywords in order to specify a range of records to display.

For PRILOG, SECLOG, PRISLD, SECSLD, IPRI, ISEC, IPRISL, ISECSL, PRITSLDS, SECTSLDS, IPRTISLD, and ISECTSLD records, the TOTIME time stamp is compared against the time the subsystem started (START = ). This start time has an asterisk (\*) beside it when the record is listed.

For PRIOLD, SECOLD, IPRIOL, and ISECOL records, the TOTIME time stamp is compared against the time the subsystem started (PRILOG TIME = ).

**SSID(*name*)**

Optional keyword that limits the display to log records or OLDS entries associated with the specified subsystem.

**GSG(*gsname*)**

Optional keyword that limits the display of log records to those associated with the specified GSG.

**OPEN**

Optional keyword that limits the display to log records or OLDS entries that are not closed.

**ERROR**

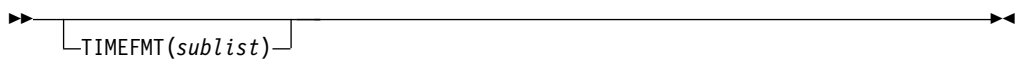
Optional keyword that limits the display to log records having one or more data set entries marked in error, and to OLDS entries marked in error.

**UNARCH**

Optional keyword that limits the display of OLDS entries to those that are not archived.

**Note:** Specifying the UNARCH keyword without the ERROR or OPEN keywords causes the LIST.LOG ALL command to be processed like the LIST.LOG ALLOLDS command; that is, no log records are listed, only unarchived OLDS entries are listed.

The following keyword can be used on all forms of the command.



**TIMEFMT(*sublist*)**

Optional keyword you use to define the form in which time stamps appear in messages, displays, and listings from DBRC. The five values are positional. Each is optional and can be omitted by including only the comma.

The TIMEFMT default for LIST commands is obtained from what is specified in the RECON header record.

**Examples**

*Example of displaying RECON records specified by STARTIME*

In this example, the RLDSs, SLDS, and corresponding LOGALL record with the time stamp specified in the STARTIME keyword are to be displayed.

```
//LISTRCON JOB
:
//SYSIN DD *
LIST.LOG STARTIME(07031131313023456)
/*
```

### *Example of displaying a subsystem's OLDS records*

In this example, the OLDS records from subsystem IMSA are to be displayed.

```
//LISTRCON JOB
:
//SYSIN DD *
LIST.LOG ALLOLDS SSID(IMSA)
/*
```

#### **Related reference:**

“DBRC time stamps” on page 52

---

## **LIST.RECON command**

Use the LIST.RECON command to display the current status of the RECON data sets.

RECON status information includes the following items:

- The name of the IMS catalog that DBRC commands use for database definitions or CATALOG=\*\*NULL\*\* if DBRC commands use a DBD library for database definitions.
- The contents of the Time Zone Label Table
- The TIMEZIN and TIMEFMT settings
- The minimum IMS release level to coexist with this RECON
- The status of each of the three RECON data sets as follows:

#### **RECON status**

##### **Meaning**

#### **COPY1**

PRIMARY ACTIVE RECON

#### **COPY2**

SECONDARY ACTIVE RECON

#### **SPARE**

AVAILABLE RECON

#### **UNAVAILABLE**

UNAVAILABLE RECON

#### **DISCARDED**

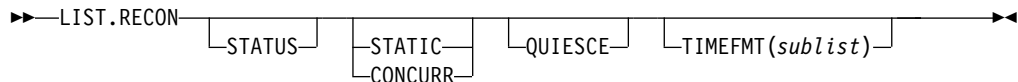
UNUSABLE RECON

The RECON data set is unavailable when the resource is allocated in another system.

Subsections:

- “Syntax” on page 364
- “Keywords” on page 364
- “Examples” on page 365

## Syntax



## Keywords

### STATUS

Optional keyword you use to request the RECON header record information and the status of all RECON data sets. If you specify this keyword the listing of the remainder of the records is suppressed.

### QUIESCE

Optional keyword to indicate that, if the RECON access is parallel and STATIC is specified or defaulted to, the RECON data set is to be quiesced to process the command. QUIESCE is ignored if the CONCURR keyword is specified or defaulted to.

### STATIC | CONCURR

Mutually exclusive, optional keywords that you use to control how the list output is produced when parallel RECON access is in effect. If specified when parallel access is not in effect, the keyword is ignored.

If neither STATIC nor CONCURR is specified, the default setting from the RECON header record is used. (The default is set by the INIT.RECON command, by a CHANGE.RECON LIST command, or by upgrade processing.)

### STATIC

Specifies that the list output is to be consistent as of a point in time during list processing. The RECON records accessed by list processing cannot be updated by other DBRC instances until list processing has completed.

### CONCURR

Specifies that list processing can occur concurrent with RECON update activity. In this case, the list output may not reflect the state of the RECON data at any point in time.

### TIMEFMT(*sublist*)

Optional keyword you use to define the form in which time stamps appear in messages, displays, and listings from DBRC. The five values are positional. Each is optional and can be omitted by including only the comma.

The TIMEFMT default for LIST commands is obtained from what is specified in the RECON header record.

## Usage notes

DBRC accesses the database definitions stored in the DBDLIB while processing the NOTIFY.REORG, CHANGE.PART, CHANGE.DBDS, INIT.PART, INIT.DB and INIT.DBDS commands. DBRC needs to access the IMS catalog when the directory is enabled, instead of the DBDLIB, because it may not contain the database definitions for a database defined with DDL.

You will need to define a catalog name indicating that DBRC is using the directory instead of the DBDLIB for commands that need to reference the database definition. The catalog name is displayed on the LIST.RECON command.



## Examples

Here are some examples of using the LIST.RECON command.

### *Example of displaying the RECON data sets*

In this example, the status and contents of the RECON data set are displayed.

```
//LISTRCON JOB
:
//SYSIN DD *
LIST.RECON
/*
```

### *Example of displaying RECON header and status information*

In this example, only RECON header status information is displayed.

```
//LISTRCON JOB
:
//SYSIN DD *
LIST.RECON STATUS
/*
```

Only the first segment of output shown in the Chapter 19, "Sample listings from the RECON data set," on page 423 is produced in this case.

### *Example using the DBDLIB*

```
LIST.RECON STATUS
15.318 10:47:08.595032 LISTING OF RECON PAGE 0002
-----
RECON
RECOVERY CONTROL DATA SET, IMS V14R1
DMB#=9 INIT TOKEN=15318F1857505F
NOFORCER LOG DSN CHECK=CHECK17 STARTNEW=NO
TAPE UNIT=3400 DASD UNIT=SYSDA TRACEOFF SSID=**NULL**
LIST DLOG=YES CA/IC/LOG DATA SETS CATALOGED=NO
MINIMUM VERSION = 12.1 CROSS DBRC SERVICE LEVEL ID= 00001
REORG NUMBER VERIFICATION=NO
LOG RETENTION PERIOD=00.000 00:15:00.0
COMMAND AUTH=NONE HLQ=**NULL**
RCNQUAL=**NULL**
CATALOG=**NULL**
ACCESS=SERIAL LIST=STATIC
SIZALERT DSNUM=15 VOLNUM=16 PERCENT= 95
LOGALERT DSNUM=3 VOLNUM=16

TIME STAMP INFORMATION:

TIMEZIN = %SYS -LABEL- -OFFSET-
PDT -07:00
PST -08:00

OUTPUT FORMAT: DEFAULT = LOCORG NONE PUNC YY
CURRENT = LOCORG NONE PUNC YY

IMSPLEX = ** NONE ** GROUP ID = ** NONE **

-DDNAME- -STATUS- -DATA SET NAME-
RECON1 COPY1 ILOVE.IMS.SAIDPAT.RECON1
RECON2 COPY2 ILOVE.IMS.SAIDPAT.RECON2
```

RECON3            SPARE            ILOVE.IMS.SAIDPAT.RECON3

NUMBER OF REGISTERED DATABASES =            9

*Example using the default catalog name PATSCD00*

LIST.RECON STATUS  
15.318 10:47:08.595032                    LISTING OF RECON                    PAGE 0002

-----  
RECON  
RECOVERY CONTROL DATA SET, IMS V14R1  
DMB#=9                                    INIT TOKEN=15318F1857505F  
NOFORCER LOG DSN CHECK=CHECK17        STARTNEW=NO  
TAPE UNIT=3400            DASD UNIT=SYSDA            TRACEOFF    SSID=\*\*NULL\*\*  
LIST DLOG=YES                    CA/IC/LOG DATA SETS CATALOGED=NO  
MINIMUM VERSION = 12.1            CROSS DBRC SERVICE LEVEL ID= 00001  
REORG NUMBER VERIFICATION=NO  
LOG RETENTION PERIOD=00.000 00:15:00.0  
COMMAND AUTH=NONE    HLQ=\*\*NULL\*\*  
RCNQUAL=\*\*NULL\*\*  
CATALOG=PATSCD00  
ACCESS=SERIAL            LIST=STATIC  
SIZALERT DSNUM=15            VOLNUM=16            PERCENT= 95  
LOGALERT DSNUM=3            VOLNUM=16

TIME STAMP INFORMATION:

TIMEZIN = %SYS                    -LABEL- -OFFSET-  
    PDT       -07:00  
    PST       -08:00

OUTPUT FORMAT:    DEFAULT = LOCORG NONE    PUNC YY  
    CURRENT = LOCORG NONE    PUNC YY

IMSPLEX = \*\* NONE \*\*            GROUP ID = \*\* NONE \*\*

-DDNAME-	-STATUS-	-DATA SET NAME-
RECON1	COPY1	ILOVE.IMS.SAIDPAT.RECON1
RECON2	COPY2	ILOVE.IMS.SAIDPAT.RECON2
RECON3	SPARE	ILOVE.IMS.SAIDPAT.RECON3

NUMBER OF REGISTERED DATABASES =            9

**Related reference:**

Chapter 19, "Sample listings from the RECON data set," on page 423  
"DBRC time stamps" on page 52

---

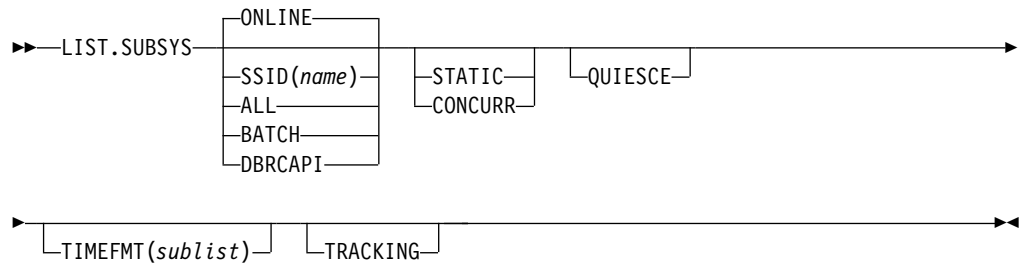
## LIST.SUBSYS command

Use the LIST.SUBSYS command to receive a formatted list of the subsystems that are registered in the RECON data set.

Subsections:

- "Syntax"
- "Keywords" on page 367
- "Example of displaying all online subsystem records" on page 368

### Syntax



## Keywords

### **ONLINE | SSID(*name*) | ALL | BATCH | DBRCAPI**

Mutually exclusive, optional keywords you use to specify which subsystem information is to be displayed.

#### **ONLINE**

Specifies that all online subsystem information is to be displayed.

#### **SSID(*name*)**

Specifies the name of the subsystem for which information is to be displayed.

#### **ALL**

Specifies that all subsystem information, both batch and online, is to be displayed.

#### **BATCH**

Specifies that all batch subsystem information is to be displayed.

#### **DBRCAPI**

Specifies that all DBRCAPI subsystem information is to be displayed. TRACKING is not allowed with DBRCAPI.

### **QUIESCE**

Optional keyword to indicate that, if the RECON access is parallel and the STATIC keyword is specified or defaulted to, the RECON data set is to be quiesced to process the command. QUIESCE is ignored if the CONCURR keyword is specified or defaulted to.

### **STATIC | CONCURR**

Mutually exclusive, optional keywords that you use to control how the list output is produced when parallel RECON access is in effect. If specified when parallel access is not in effect, the keyword is ignored.

If neither STATIC nor CONCURR is specified, the default setting from the RECON header record is used. (The default is set by the INIT.RECON command, by a CHANGE.RECON LIST command, or by upgrade processing.)

#### **STATIC**

Specifies that the list output is to be consistent as of a point in time during list processing. The RECON records accessed by list processing cannot be updated by other DBRC instances until list processing has completed.

#### **CONCURR**

Specifies that list processing can occur concurrent with RECON update activity. In this case, the list output may not reflect the state of the RECON data at any point in time.

### **TIMEFMT(*sublist*)**

Optional keyword you use to define the form in which time stamps appear in

messages, displays, and listings from DBRC. The five values are positional. Each is optional and can be omitted by including only the comma.

The TIMEFMT default for LIST commands is obtained from what is specified in the RECON header record.

#### **TRACKING**

Optional keyword you use to specify that all RSR tracking subsystem information is to be displayed.

#### **Example of displaying all online subsystem records**

In this example, all online subsystem records are displayed.

```
//LISTSS  JOB
:
//SYSIN   DD  *
          LIST.SUBSYS
/*
```

#### **Related reference:**

Chapter 19, "Sample listings from the RECON data set," on page 423  
"DBRC time stamps" on page 52

---

## Chapter 16. NOTIFY commands

Use the NOTIFY commands to add information to a RECON data set that is normally written there automatically.

---

### NOTIFY.ALLOC command

Use the NOTIFY.ALLOC command to add information to the RECON data set about either a specific database allocation or a specific database deallocation of a DBDS or DEDB area.

This addition of information is required only when the RECON data set was not updated during a run of IMS that resulted in an allocation of the DBDS or DEDB area for updates. Under normal operating conditions, you will not need to use this command.

The NOTIFY.ALLOC command fails if the DBDS or DEDB area is nonrecoverable, user-recoverable, or in use.

**Restriction for HALDB databases:** This command is not allowed for ILDS or index DBDSs of HALDB partitions.

Subsections:

- “Syntax”
- “Keywords”
- “Example of adding allocation information to the RECON data set” on page 370

#### Syntax

```
▶▶—NOTIFY.ALLOC—ALLTIME(time_stamp)—DBD(name)—┬─DDN(name)─┬─▶
└─AREA(name)─┴─▶
▶─DEALTIME(time_stamp)—┬─QUIESCE─┬─DSSN(value)─┬─USID(value)─▶
└─STARTIME(time_stamp)─┴─▶
```

#### Keywords

##### ALLTIME(*time\_stamp*)

Required keyword you use to specify the time stamp of the allocation of the database that contains the DBDS or DEDB area that is specified in this command. The time stamp must be in standard form.

When used with the STARTIME keyword, ALLTIME causes a new allocation record to be written in the RECON data set. When used with a DEALTIME keyword, it identifies the allocation record in the RECON data set for which a deallocation time is being added.

##### DBD(*name*)

Required keyword you use to specify the database name of the DBDS or DEDB area for which you are adding allocation information to the RECON data set.

**Restriction for HALDB databases:** When using the NOTIFY.ALLOC command for HALDB databases, *name* must specify the name of a HALDB partition.

**DDN(*name*) | AREA(*name*)**

Mutually exclusive, required keywords you use to specify the data set ddname of the DBDS or DEDB area for which you are adding allocation information to the RECON data set.

**DEALTIME(*time\_stamp*) | STARTIME(*time\_stamp*)**

Mutually exclusive, required keywords. The time stamp must be in standard form.

**DEALTIME**

Specifies the time stamp of the deallocation of the database for the specified DBDS or DEDB area. This addition to the RECON data set is required only if the database is allocated for updates and explicitly deallocated before the end of an IMS run.

**STARTIME**

Specifies the starting time stamp of the log data set that was active at the time of the allocation specified in the ALLTIME keyword.

**DSSN(*value*)**

Optional keyword you use to specify which data set sequence number is placed in the allocation record to be created. If you do not specify the DSSN keyword, the data set sequence number for the new allocation record is 0, indicating no data sharing. If you are using data sharing, you must specify the appropriate DSSN. You use this keyword for log-merge processing.

**QUIESCE**

Optional keyword you use to specify that the DEALLOC time stamp specified was caused by a database quiesce command. This keyword is valid only when DEALTIME is specified.

**USID(*value*)**

Optional keyword you use to specify the update set identifier of the database or area when the update occurred.

USID is required if the database or area is assigned to a GSG. If the database or area is not assigned to a GSG, USID cannot be specified.

The database or area cannot be authorized if the specified USID value is greater than the current USID for the database or area. Also, this value cannot be more than one greater than the current USID.

**Example of adding allocation information to the RECON data set**

In this example, information about an allocation of a specified DBDS is to be added to the RECON data set. The ALLTIME keyword specifies the time stamp of the allocation of the DBDS or DEDB area; the STARTIME keyword specifies the time stamp of the start of the log data set that was active at the time of the allocation.

```
//NFYALLOC JOB
:
:
//SYSIN DD *
        NOTIFY.ALLOC DBD(DB1) DDN(DD1) -
                    STARTIME(07067020101023456) -
                    ALLTIME(070670308200)
/*
```

**Related reference:**

## NOTIFY.BKOUT command

Use the NOTIFY.BKOUT command to create a backout record for a specified subsystem and to add a single unit of recovery (UOR) entry to the record that is created. Additional UOR entries can be added to the backout record by using the CHANGE.BKOUT command.

Subsections:

- “Syntax”
- “Keywords”
- “Example of adding a backout record to the RECON data set” on page 372

### Syntax

```

▶▶—NOTIFY.BKOUT—SSID(name)—UOR(uor)—UORTIME(time_stamp)—PSB(name)————▶▶

```

### Keywords

#### SSID(*name*)

Required keyword you use to specify the subsystem for which the backout record is to be created. The name is an eight-character, alphanumeric string that represents any valid subsystem name.

#### UOR(*uor*)

Required keyword you use in conjunction with the UORTIME keyword to identify a unit of recovery in the backout record. The recovery token (*uor*) is a 16-byte field that describes a specific UOR that is to be included with the backout record. *uor* must be 32 hexadecimal digits expressed as a character string; for example, UOR(E2E8E2F3404040400000000600000003).

The recovery token is intended to be a unique identifier, but it can be duplicated across restarts. When you include UORTIME, you eliminate the problem of possible duplication.

#### UORTIME(*time\_stamp*)

Required keyword you use to specify the time of the UOR to be added to the backout record. The value is the time stamp of the beginning of the UOR (found in the X'5607' log record). The time stamp must be in standard form.

#### PSB(*name*)

Required keyword you use to identify the PSB associated with the UOR.

#### DBD(*name*)

Optional keyword you use to identify up to eight databases having changes associated with the unit of recovery that require backout.

**Restriction for HALDB databases:** When using the NOTIFY.BKOUT command for HALDB databases, *name* must specify the name of a HALDB partition.

### BKO(*name*)

Optional keyword you use to identify up to eight databases having changes associated with the unit of recovery that have already been backed out.

Use BKO to identify databases that have already been backed out from this UOR-UORTIME combination. You can specify either the BKO keyword, the DBD keyword, or both. A database name can appear in either BKO or DBD, but not both. (A database cannot both be backed out and require a backout at the same time.)

### Example of adding a backout record to the RECON data set

In this example, a backout record for subsystem SYS3 is added to the RECON data set.

```
//NFYBKOUT JOB
:
//SYSIN DD *
  NOTIFY.BKOUT SSID(SYS3)
                UOR(E2E8E2F3404040400000000600000003)
                UORTIME(070931345027) PSB(APPL34)
                DBD(DATA1,DATA2,DATA3C)
                BKO(DATA4,DATA5,DATA3A)
/*
```

See "Standard time stamp format" on page 53.

---

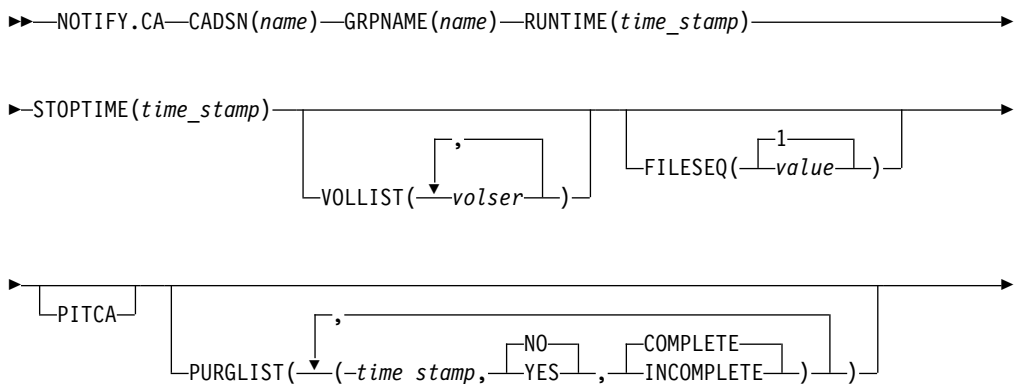
## NOTIFY.CA command

Use the NOTIFY.CA command to add information to the RECON data set about a run of the Database Change Accumulation utility for a specified CA group.

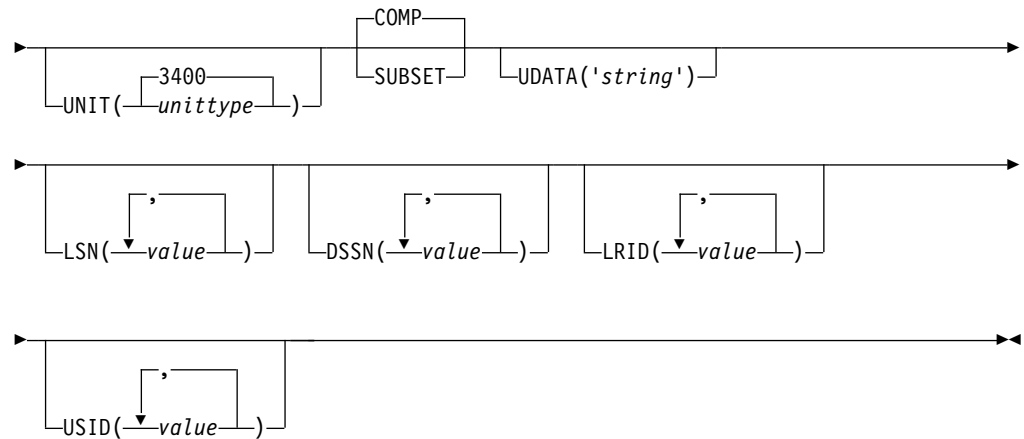
Subsections:

- "Syntax"
- "Keywords" on page 373
- "Example of adding CADSN information to the RECON data set" on page 376

### Syntax







## Keywords

### CADSN(*name*)

Required keyword that you use to specify the data set name of the change accumulation data set in the identified record. If the CA group is defined as reusable, the data set name must be unique. DBRC does not check for duplicate data set names.

### GRPNAME(*name*)

Required keyword that you use to specify the name of the CA group for which information is to be added.

### RUNTIME(*time\_stamp*)

Required keyword that you use to identify the specific change accumulation run record to be added. The time stamp represents the time at which the Database Change Accumulation utility was run, and it must be in standard form.

### STOPTIME(*time\_stamp*)

Required keyword that you use to specify the time stamp of the change accumulation run record for which information is to be added. The time stamp is the stop time of the last log volume that was processed by the specified run of the Change Accumulation utility, and it must be in standard form.

### VOLLIST(*volser*)

Optional keyword that you use to specify the volume serial numbers of the volumes on which the change accumulation data set being defined resides. You can specify a maximum of 255 volume serial numbers for *volser*. Each volume serial number can be a maximum of 6 alphanumeric characters, and they must follow z/OS JCL conventions for volume serial numbers. VOLLIST is required if the change accumulation data set is not to be treated as cataloged, as indicated in the RECON status record.

### FILESEQ(1 | *value*)

Optional keyword that you use to specify the file sequence number of the change accumulation data set that is being defined. If you specify the FILESEQ keyword with a value greater than 1, you must also specify the VOLLIST keyword. *value* must be a decimal number from 1 to 9999.

### PITCA

Optional keyword that you use to add a CA record that was generated outside of IMS. The record added will have the PITCA and ERR flags ON. No other DBRC functions such as GENJCL.CA or GENJCL.RECOV will use this CA.

**PURGLIST**(*time\_stamp*,**NO** | **YES**,**COMPLETE** | **INCOMPLETE**)

Optional keyword that you use to specify the purge time, which is the point in time in the input log records where change accumulation started and to specify whether the logs form a complete subset.

The time stamp must be in standard form. If you do not specify a time stamp, the time is set to 0.

If you are using the accumulated changes as input to recovery, you must choose a purge time that satisfies the DBRC input requirements for recovery. Recovery first chooses an image copy and then uses a change accumulation whose purge time for that DBDS matches the run time of the image copy.

**NO** | **YES**

Mutually exclusive subparameters you use to specify whether any changes for the corresponding DBDS have been accumulated.

**NO** Specifies that no changes have been accumulated for the corresponding DBDS.

**YES**

Specifies that some changes have been accumulated for the corresponding DBDS.

**COMPLETE** | **INCOMPLETE**

Mutually exclusive subparameters you use to specify whether the logs form a complete subset. To determine whether a log subset is complete, use the LIST.CAGRP command.

**COMPLETE**

Specifies that the logs form a complete subset. When you specify COMPLETE, the time stamp of the STOPTIME keyword is the stop time of the last log input to the Change Accumulation utility.

**INCOMPLETE**

Specifies that the logs form an incomplete subset. When you specify INCOMPLETE, the time stamp of the STOPTIME keyword is the start time of the earliest unselected (open) log volume. This volume should be the first one that is selected at a later run.

If you specify the PURGLIST keyword, the order of the time stamp and the change indicator in the purge list corresponds to the order of the DBDS names specified in the GRPMEM keyword of the INIT.CAGRP command. For example, the third purge time and change indicator is the purge time for the third DBDS that is specified in the GRPMEM keyword of the INIT.CAGRP command.

If you specify fewer subparameters with the PURGLIST keyword than you specified with the GRPMEM keyword of the INIT.CAGRP command, DBRC uses the defaults of NO and COMPLETE for each DBDS that you omit. Similarly, if you do not specify the PURGLIST keyword, DBRC uses the defaults of NO and COMPLETE for each DBDS specified with the GRPMEM keyword of the INIT.CAGRP command. To use a default of NO for certain DBDSs, use commas to indicate which DBDSs are subject to the default.

**UNIT**(**3400** | *unittype*)

Optional keyword that specifies the unit type of the volumes on which the change accumulation data set resides. *unittype* can be up to 8 alphanumeric characters. If you specify the UNIT keyword, you must also specify the VOLLIST keyword.

## **COMP | SUBSET**

Mutually exclusive, optional keywords you use to indicate that the change accumulation record's stop time is a log volume start time.

### **COMP**

Indicates that when the CA was created, a complete set of logs was processed and that the CA's stop time is the stop time of the last log volume processed.

### **SUBSET**

Indicates that when the CA was created, a subset of logs was processed and the CA's stop time is the start time of the first unprocessed log volume. Specifying INCOMPLETE in the PURGLIST keyword does not automatically cause SUBSET to be set.

You do not need to use this keyword under normal conditions. Checking is not done to verify that the use of this keyword is consistent with the value of the CA stop time. This keyword value is used by the GENJCL.CA and GENJCL.RECOV processes. Incorrect use of this keyword can result in invalid generated JCL.

### **UDATA('string')**

Optional keyword that you use to specify up to 80 bytes of information about the identified change accumulation data set. You can use the variable field of this keyword to describe how the change accumulation data set was created. The *string* value must be enclosed in single quotation marks if blanks or any other special characters are included.

### **LSN(value)**

Optional keyword that you use to specify the lock sequence number of the last change that is accumulated for the DBDS.

The lock sequence number can be one of the following:

- A hexadecimal number of 1 to 12 characters, which is enclosed in single quotation marks and preceded by the letter, X. For example: LSN(X'10B9C')
- A decimal number from 0 to (2\*\*48) - 1, specified without delimiters. For example: LSN(68508)

### **DSSN(value)**

Optional keyword that you use to specify the data set sequence number of the last change that is accumulated for the DBDS.

The data set sequence number can be a decimal number from 0 to (2\*\*32) - 1, specified without delimiters. For example: DSSN(68508)

### **LRID(value)**

Optional keyword that you use to specify the last log record ID of the last change that is accumulated for the DBDS.

The last log record ID can be one of the following:

- A hexadecimal number of 1 to 16 characters, which is enclosed in single quotation marks and preceded by the letter, X. For example: LRID(X'10B9C')
- A decimal number from 0 to (2\*\*64) - 1, specified without delimiters. For example: LRID(68508)

### **USID(value)**

Optional keyword that you use to specify the last update set ID of the last change that is accumulated for the DBDS.

The last update set ID can be a decimal number from 0 to  $(2^{*32}) - 1$ , specified without delimiters. For example: USID(68508)

### Example of adding CADSN information to the RECON data set

In this example, information about a change accumulation data set is to be added to the RECON data set.

```
//NFYCA    JOB
:
//SYSIN    DD    *
          NOTIFY.CA  GRPNAME(CAGRP2) -
                    STOPTIME(070240202020) -
                    RUNTIME(070250305029) CADSN(CADSN06) -
                    VOLLIST(VOL005) -
                    PURGLIST((070240302005,YES),,(070250420256,))
/*
```

**Related reference:**

“DBRC time stamps” on page 52

## NOTIFY.IC command

Use the NOTIFY.IC command to add information to the RECON data set about an image copy.

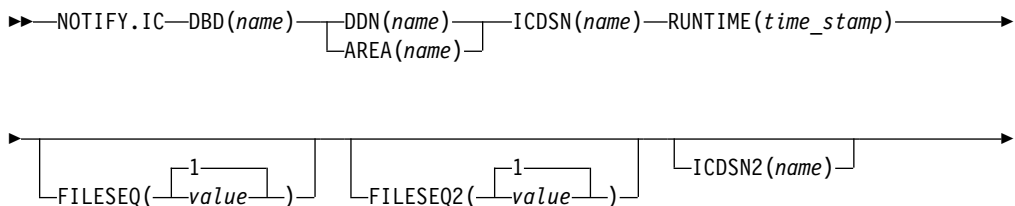
**Restrictions for HALDB databases:**

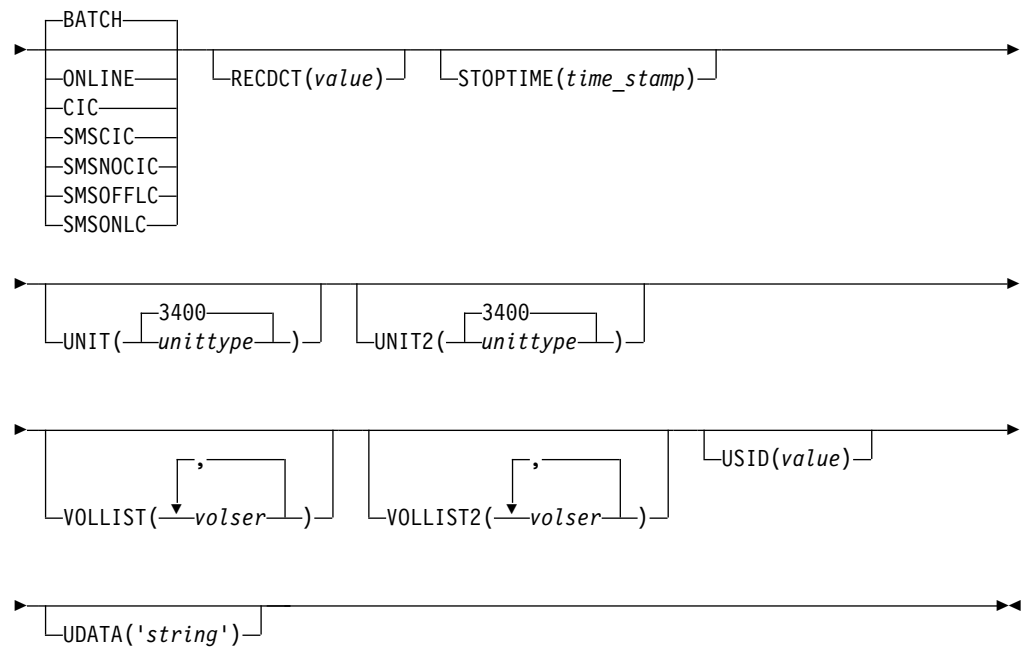
- The NOTIFY.IC command is not allowed for ILDS or Index DBDSs of HALDB partitions.
- The NOTIFY.IC command will fail if it is attempting to record an image copy of a HALDB that has an online reorganization in progress. This is because an image copy of a HALDB cannot be taken while the HALDB is being reorganized online and the reorganization has not completed (either it is in progress or was terminated).

Subsections:

- “Syntax”
- “Keywords” on page 377
- “Example of notifying DBRC of concurrent image copy completion” on page 379

### Syntax





## Keywords

### DBD(*name*)

Required keyword you use to specify the database name of the DBDS or area for which an image copy run record is to be added.

**Restriction for HALDB databases:** When using the NOTIFY.IC command for HALDB databases, *name* must specify the name of a HALDB partition.

### DDN(*name*) | AREA(*name*)

Mutually exclusive, required keywords you use to specify the data set ddname of the DBDS (use DDN) or DEDB area (use AREA) for which an image copy run record is to be added.

### ICDSN(*name*)

Required keyword you use to specify the data set name of the image copy data set that contains the image copy whose run record is being added. *name* can be a maximum of 44 characters.

### RUNTIME(*time\_stamp*)

Required keyword you use to specify the time the Image Copy utility was run. The time stamp must be in standard form.

### FILESEQ(1 | *value*)

Optional keyword you use to specify the file sequence number of the identified image copy data set. *value* must be a decimal number from 1 to 9999.

### FILESEQ2(1 | *value*)

Optional keyword you use to specify the file sequence number of the identified duplicate image copy data set. *value* can be a decimal number from 1 to 9999.

You can specify this keyword only if you specify the VOLLIST2 keyword. If the VOLLIST2 keyword is specified, then FILESEQ2(1) is the default for this keyword.

### ICDSN2(*name*)

Optional keyword you use to specify the data set name of the duplicate image

copy data set that is to contain the image copy whose run record is being added. *name* can be a maximum of 44 characters.

**BATCH | ONLINE | CIC | SMSCIC | SMSNOCIC | SMSONLC | SMSOFFLC**

Mutually exclusive, optional keywords you use to specify the type of image copy that the data set contains.

**Restriction:** CIC, SMSCIC, and ONLINE cannot be used for user-recoverable databases.

**BATCH**

Indicates that the Database Image Copy (DFSUDMP0) utility was used to create the image copy while the database was unavailable for update processing (the CIC keyword was not specified). BATCH can also be specified to record the output of the HISAM Reorganization Unload utility image copy.

**ONLINE**

Specifies that the image copy data set was obtained by executing the Online Database Image Copy utility. You must use the STOPTIME keyword when you specify ONLINE.

**CIC**

Indicates that a concurrent image copy was taken. A concurrent image copy is a “fuzzy” copy, so the data set uses logs in order to complete the image. STOPTIME must be used if CIC is specified. CIC cannot be used to copy VSAM KSDS databases.

**SMSCIC**

Indicates that the Database Image Copy 2 was used to create the image copy while the database was available for update processing ('S' was specified on the utility control statement). The image copy is in DFSMS dump format. The image copy is a “fuzzy” copy so logs must be applied to recover the data set to a usable state. The STOPTIME keyword must be specified when you specify SMSCIC.

**SMSNOCIC**

Indicates that the Database Image Copy 2 utility was used to create the image copy while the database was unavailable for update processing ('X' was specified on the utility control statement). The image copy is in DFSMS dump format.

**SMSOFFLC**

Indicates that the Database Image Copy 2 utility invoked DFSMS Fast Replication to take an image copy while the database was unavailable for update processing. The image copy was created by a DFSMS COPY command.

**SMSONLC**

Indicates that the Database Image Copy 2 utility invoked DFSMS Fast Replication to take an image copy concurrently with update processing. The image copy was created by a DFSMS COPY command format. The image copy is a “fuzzy” copy, so logs must be applied to recover the data set to a usable state. The STOPTIME keyword must be specified when you specify SMSONLC.

**RECDCT(*value*)**

Optional keyword you use to specify the count of the records in the image copy data set. *value* must be a decimal number from 1 to 2147483647.

**STOPTIME(*time\_stamp*)**

Optional keyword you use to specify the stop time of the online or concurrent image copy. You must specify this keyword when online, CIC, SMSCIC, or SMSONLC is specified. The time stamp must be in standard form.

**UNIT(3400 | *unittype*)**

Optional keyword you use to specify the unit type of the image copy data set. The unit type can be up to 8 alphanumeric characters.

**UNIT2(3400 | *unittype*)**

Optional keyword you use to specify the unit type of the duplicate image copy data set. The unit type can be up to eight alphanumeric characters long.

**VOLLIST(*volser*)**

Optional keyword you use to specify the volume serial numbers of the volumes on which the image copy data set resides. You can substitute from 1 to 255 volume serial numbers in the variable field. Each volume serial number can be up to 6 alphanumeric characters long, and must follow z/OS JCL conventions for volume serial numbers.

**Attention:** VOLLIST is required if the image copy data set is not treated as cataloged, as indicated in the RECON status record, and if this data set is not an SMS image copy.

**VOLLIST2(*volser*)**

Optional keyword you use to specify the volume serial numbers of the volumes on which the duplicate image copy data set resides. You can substitute from 1 to 255 volume serial numbers in the variable field. Each variable can be up to 6 alphanumeric characters long, and must follow z/OS JCL conventions for volume serial numbers. VOLLIST2 is allowed only if the ICDSN2 keyword is also specified.

**Attention:** VOLLIST2 is required if the image copy data set is not treated as cataloged, as indicated in the RECON status record, and if this data set is not an SMS image copy.

**USID(*value*)**

Optional keyword you use to specify the update set identifier of the database or area when the reorganization occurred.

USID is required if the database or area is assigned to a GSG. If the database or area is not assigned to a GSG, USID is optional.

**UDATA('string')**

Optional keyword you use to specify up to 80 bytes of information about the identified, standard image copy data set. You can use the variable field of this keyword to describe how the standard image copy data set was created. The *string* value must be enclosed in single quotation marks if blanks or any other special characters are included.

**Example of notifying DBRC of concurrent image copy completion**

In this example, DBRC is notified of the successful completion of a concurrent image copy for the area specified. RUNTIME refers to the time the image copy started. STOPTIME refers to the time the image copy ended.

```
//NFYIC   JOB
:
//SYSIN   DD   *
```

```

NOTIFY.IC   DBD(DBD001) AREA(AREA1)           -
            RUNTIME(0720002020)              -
            STOPTIME(0720004040)             -
            ICDSN(IC0005) CIC                 -
            UDATA('FIRST CIC OF THE WEEK')

```

/\*

**Related reference:**

“DBRC time stamps” on page 52

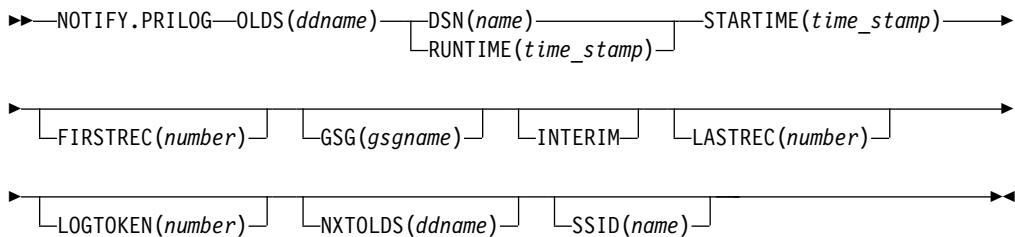
## NOTIFY.PRILOG command (for OLDS)

Use a NOTIFY.PRILOG command to add information about a primary OLDS to the RECON data set and to manually create interim PRILOG in the RECON data set. You would do this in a case where the log processing exit routines of the IMS system failed to do so.

Subsections:

- “Syntax”
- “Keywords”
- “Examples” on page 383

### Syntax



### Keywords

#### OLDS(*ddname*)

Required keyword that specifies that a record will be created in the RECON data set for an OLDS.

#### *ddname*

Specifies the name of the DD statement that the IMS online control region used when it used the OLDS.

**Note:** Failure to specify the OLDS keyword results in an attempt to create or update an RLDS record.

#### DSN(*name*) | RUNTIME(*time\_stamp*)

Mutually exclusive, required keywords.

#### DSN

Specifies the data set name of the primary OLDS for which a log record is being created in the RECON data set.

#### RUNTIME

Specifies the time stamp of a close operation for the specified primary OLDS. The time stamp must be in standard form.

These two keywords are used in conjunction with the STARTIME, FIRSTREC, and NXTOLDS keywords to identify what type of primary OLDS entry is to be



added to the RECON data set. The following table indicates which keyword combinations are required for each type of primary OLDS entry.

**Definitions:**

**OLDS Open**

Starting to use an OLDS and inserting a starting time.

**OLDS Switch**

Stopping the use of the current OLDS (inserting a stop time) and starting to use the next OLDS (inserting a starting time into the new OLDS).

**OLDS Close**

Stopping the use of an OLDS (inserting a stop time)

*Table 15. Keywords of NOTIFY.PRILOG command (for OLDS) for open, switch, and close*

Type of log entry	Required keywords
OLDS Open	STARTIME, DSN, FIRSTREC
OLDS Switch	STARTIME, DSN, FIRSTREC, NXTOLDS
OLDS Close	LASTREC, STARTIME, RUNTIME

For each primary OLDS, you must issue a separate NOTIFY.PRILOG command for open, switch, and close.

**STARTIME(*time\_stamp*)**

Required keyword you use to specify the starting time of a primary OLDS. The time stamp must be in standard form. For a description of the use of this keyword with other keywords in the NOTIFY.PRILOG command, see Table 15.

**FIRSTREC(*number*)**

Optional keyword you use to specify the log record sequence number of the first log record of the OLDS. For the first OLDS of the PRILOG, it corresponds to the first log record that was written during initialization of the IMS subsystem.

FIRSTREC is required for OLDS OPEN and SWITCH commands. It specifies the first log record sequence number on the OLDS that is being opened. It is invalid for a CLOSE command.

The log record sequence number can be one of the following:

- A hexadecimal number

This number is 1 to 16 characters, enclosed in single quotation marks and preceded by the letter, X. For example: FIRSTREC('X'10B9C').

- A decimal number

This number is a decimal number from 0 to (2\*\*64)-1, without delimiters. For example: FIRSTREC(68508).

In either case, leading zeros can be omitted.

**GSG(*gsgname*)**

Optional keyword you use to specify the GSG name of the IMS subsystem that produced the OLDS.

GSG is required if LOGTOKEN is specified.

**INTERIM**

Optional keyword you use to specify that an interim log data set record is to be created.

Before you specify NOTIFY.PRILOG INTERIM, a corresponding primary log record must exist.

**LASTREC**(*number*)

Optional keyword you use to specify the log record sequence number of the last log record of the OLDS.

LASTREC is required for the OLDS CLOSE command. It is optional for the SWITCH command; if it is omitted, the FIRSTREC value minus 1, is recorded for the OLDS that is being closed. It is invalid for an OPEN command.

The log record sequence number can be one of the following:

- A hexadecimal number  
This number is 1 to 16 characters, enclosed in single quotation marks and preceded by the letter, X. For example: LASTREC(X'10B9C').
- A decimal number  
This number is a decimal number from 0 to (2\*\*64)-1, without delimiters. For example: LASTREC(68508).

In either case, leading zeros can be omitted.

**LOGTOKEN**(*number*)

Optional keyword you use to specify the log token to be inserted into the PRILOG record and, if necessary, into the GSG record. It is valid only on an OLDS Open command.

Log tokens are numeric, assigned sequentially within PRILOG records for the same GSG, and used during recovery to ensure that all logs produced by members of the GSG have been included. The highest token assigned to any PRILOG is recorded in the GSG record.

The log token must satisfy all of the following conditions:

- Must be greater than that contained in the previous PRILOG record for the same GSG, if any.
- Must be less than that contained in the next PRILOG record for the same GSG, if any.
- Must not be more than one greater than the high PRILOG token contained in the specified GSG record.

**NXTOLDS**(*ddname*)

Optional keyword you use when the RECON data set is to be updated to reflect an OLDS switch. The current OLDS is closed and an IMS online control region opens a new OLDS. *ddname* is the DD statement of the OLDS being opened. You specify the OLDS being closed with the OLDS(*ddname*) keyword. Use the DSN(*name*) keyword to specify the data set name of the OLDS being opened. Use the STARTIME(*time\_stamp*) keyword to specify the close time of the OLDS being closed and the open time of the OLDS being opened.

**SSID**(*name*)

Optional keyword you use to specify the name of the IMS subsystem that created the log data set.

The SSID is an eight-character, alphanumeric string that represents a valid IMS subsystem identification name. If you do not specify SSID, DBRC uses the default subsystem identifier in the RECON header record. You use the INIT.RECON or CHANGE.RECON command to set the default subsystem identifier in the RECON header record. If you have not specified a default in the RECON header record, you must specify SSID.

## Examples

Here are some examples of using the NOTIFY.PRILOG (for OLDS) command.

### *Example of creating a PRIOLDS for an online subsystem OLDS*

In this example, you create a PRIOLDS for an OLDS that belongs to IMS online subsystem IMSA.

```
//NFYPRILG JOB
:
//SYSIN DD *
    NOTIFY.PRILOG STARTIME(071230554321) -
                  DSN(IMS.OLDSP13) OLDS(DFSOLP13) -
                  FIRSTREC(001) -
                  SSID(IMSA)
/*
```

### *Example of adding information about two primary OLDSs to the RECON data set*

In this example, you create a PRIOLDS for two OLDSs that belong to the IMS online subsystem IMSA. Both OLDSs are closed. The first STARTIME keyword specifies the time stamp of the opening of the primary OLDS. The DSN keyword indicates that information that is added relates to the opening of the OLDS. NXTOLDS indicates an OLDS switch. The second STARTIME keyword and second DSN indicate the start time and DSN of the next OLDS. The third STARTIME keyword indicates the start time of the OLDS to be closed. The RUNTIME keyword is the time stamp of the closing volume.

```
NOTIFY.PRILOG SSID(IMSA) STARTIME(072171212120) OLDS(DFSOLP01) -
              DSN(IMS.OLDP01) LASTREC(4999)
NOTIFY.PRILOG SSID(IMSA) STARTIME(072181212120) OLDS(DFSOLP01) -
              DSN(IMS.OLDP02) NXTOLDS(DFSOLP02)
NOTIFY.PRILOG SSID(IMSA) STARTIME(072181212120) OLDS(DFSOLP02) -
              RUNTIME(072191010101)
/*
```

### *Example of creating a PRILOG to record 2 OLDSs opening and closing*

In this example, you create a PRILOG to record the opening and closing of two OLDSs. The new PRILOG follows an existing PRILOG record for GSG OURGRP, which contains a log token of 1. The three commands are, respectively, OPEN, SWITCH, and CLOSE.

```
NOTIFY.PRILOG SSID(IMSA) +
              OLDS(OLDS001) DSN(IMS.OLDS.A01) STARTIME(070140830000) FIRSTREC(1) +
              GSG(OURGRP) LOGTOKEN(2)
NOTIFY.PRILOG SSID(IMSA) +
              OLDS(OLDS001) LASTREC(4999)+
NXTOLDS(OLDS002) DSN(IMS.OLDS.A02) STARTIME(070140930000) FIRSTREC(5000)
NOTIFY.PRILOG SSID(IMSA) +
              OLDS(OLDS002) STARTIME(070140930000) +
              RUNTIME(070141030000) LASTREC(9999)
```

#### **Related reference:**

“DBRC time stamps” on page 52

---

## NOTIFY.PRILOG command (for RLDS)

Use a NOTIFY.PRILOG command to add information about a primary RLDS (or a primary SLDS that a batch subsystem created) to the RECON data set and to manually create interim-primary log data set records in the RECON data set.

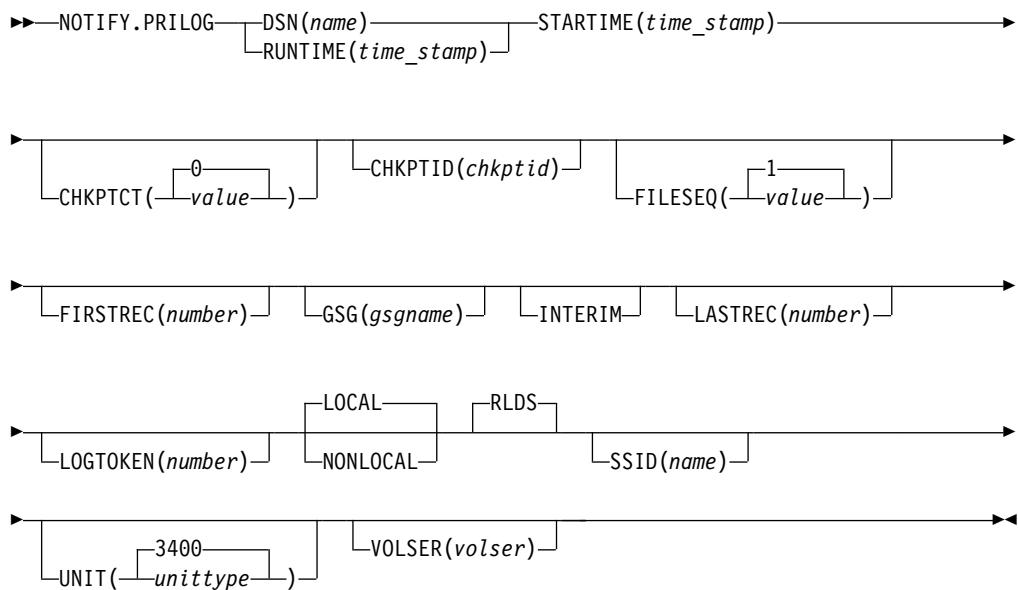
This is information that could not be added to the RECON data set from the IMS system log processing exit routines. If you are processing DBDSs with IMS, you should not need to use this command under normal operating conditions. You must specify a NOTIFY.ALLOC command for each DBDS for which change records might exist on the primary RLDS being added.

This command adds or completes a data set entry in a PRILOG record. If you are modifying an existing completed data set entry, you should use the CHANGE.PRILOG (RLDS) command.

Subsections:

- "Syntax"
- "Keywords"
- "Examples" on page 387

## Syntax



## Keywords

**DSN(*name*)** | **RUNTIME(*time\_stamp*)**

Mutually exclusive, required keywords.

### DSN

Specifies the data set name of the primary RLDS for which a log record is being created in the RECON data set.

### RUNTIME

Specifies the time stamp of a close or end-of-volume (EOV) operation for the specified primary RLDS. The time stamp must be in standard form.

These two keywords are used in conjunction with the STARTIME and VOLSER keywords to identify what type of primary-recovery-log-data set entry is to be added to the RECON data set.

The following table indicates which keyword combinations are required for each type of primary-recovery-log-data-set entry.

**Definitions:****RLDS Open**

Starting to use an RLDS and inserting a starting time.

**RLDS EOV**

RLDS end of volume (EOV) notification from the operating system. This is analogous to an OLDS Switch.

**RLDS Close**

Stopping the use of an RLDS (inserting a stop time)

Table 16. Keywords of NOTIFY.PRILOG command (for RLDS) for open, EOV, and close

Type of log entry	Required keywords
RLDS Open	STARTIME, DSN, VOLSER, FIRSTREC
RLDS EOV	STARTIME, VOLSER, RUNTIME
RLDS Close	STARTIME, RUNTIME, LASTREC

For each primary RLDS, you must issue a separate NOTIFY.PRILOG command for open, zero or more EOVs, and close.

**STARTIME(*time\_stamp*)**

Required keyword you use to specify the starting time of a primary RLDS.

The time stamp must be in standard form.

See Table 16 for a description of the use of the STARTIME keyword with other keywords in the NOTIFY.PRILOG command.

**CHKPTCT(0 | *value*)**

Optional keyword you use to specify the number of checkpoints completed on the RLDS volumes.

The valid values for CHKPTCT are:

- 0** No checkpoints in the RLDS volume
- 1** A single checkpoint in the RLDS volume
- 2** More than one checkpoint in the RLDS volume

IMS uses the value of CHKPTCT to determine which logs are necessary to recover a Fast Path area with concurrent image copy.

**CHKPTID(*chkpt id*)**

Optional keyword you use to specify the oldest checkpoint ID for an active partition specification table (PST) on an RLDS volume. The checkpoint ID must be in the standard form for a time stamp.

**FILESEQ(1 | *value*)**

Optional keyword you use to specify the file sequence number of the primary RLDS that is identified. You can specify this keyword only if you have specified the VOLSER keyword.

**FIRSTREC(*number*)**

Optional keyword you use to specify the log record sequence number of the first log record of the RLDS. For the first RLDS of the PRILOG, it corresponds to the first log record that was written during initialization of the IMS subsystem.

FIRSTREC is required if DSN is specified and is invalid if RUNTIME is specified.

The log record sequence number can be one of the following:

- A hexadecimal number

This number is 1 to 16 characters, enclosed in single quotation marks and preceded by the letter, X. For example: FIRSTREC(X'10B9C').

- A decimal number

This number is a decimal number from 0 to (2\*\*64)-1, without delimiters. For example: FIRSTREC(68508).

In either case, leading zeros can be omitted.

#### **GSG**(*gsgname*)

Optional keyword you use to specify the GSG name of the IMS subsystem that produced the RLDS.

GSG is required if NONLOCAL or LOGTOKEN is specified.

#### **INTERIM**

Optional keyword you use to specify that an interim log data set record is to be created. Before you issue the NOTIFY.PRILOG INTERIM command, you must create a corresponding primary recovery log record.

#### **LASTREC**(*number*)

Optional keyword you use to specify the log record sequence number of the last log record of the RLDS.

LASTREC is required if RUNTIME is specified and VOLSER is not specified (that is, on a CLOSE call). LASTREC is invalid if DSN is specified.

The log record sequence number can be one of the following:

- A hexadecimal number

This number is 1 to 16 characters, enclosed in single quotation marks and preceded by the letter, X. For example: LASTREC(X'10B9C').

- A decimal number

This number is a decimal number from 0 to (2\*\*64)-1, without delimiters. For example: LASTREC(68508).

In either case, leading zeros can be omitted.

#### **LOGTOKEN**(*number*)

Optional keyword you use to specify the log token that is to be inserted into the PRILOG record and, if necessary, into the GSG record. It is valid only on an RLDS OPEN command; otherwise, it is ignored.

Log tokens are numeric, assigned sequentially within PRILOG records for the same GSG, and used during recovery to ensure that all logs produced by members of the GSG have been included. The highest token assigned to any PRILOG is recorded in the GSG record.

The log token must satisfy all of the following conditions:

- Must be greater than that contained in the previous PRILOG record for the same GSG, if any.
- Must be less than that contained in the next PRILOG record for the same GSG, if any.
- Must not be more than one greater than the high PRILOG token contained in the specified GSG record.

#### **LOCAL** | **NONLOCAL**

Mutually exclusive, optional keywords you use to specify where the RLDS data was originally created. LOCAL is used if the RLDS was created by an

active IMS subsystem of the local service group. NONLOCAL is used if the RLDS was originally created by an active IMS subsystem of the non-local service group and transported to the tracking site.

LOCAL or NONLOCAL need only be specified when creating the PRILOG record. The LOCAL and NONLOCAL keywords are ignored on subsequent NOTIFY.PRILOG invocations for the PRILOG record.

If NONLOCAL is specified, none of the keywords CHKPTID, FILESEQ, UNIT, or VOLSER can be specified (the data sets must be cataloged) on any NOTIFY.PRILOG invocation for the PRILOG record.

### **RLDS**

Optional keyword you use to specify that an RLDS record is to be created or updated.

### **SSID**(*name*)

Optional keyword you use to specify the name of the IMS subsystem that created the log data set.

The SSID is an eight-character alphanumeric string that represents a valid IMS subsystem identification name. If you do not specify SSID, DBRC uses the default subsystem identifier in the RECON header record. You use the INIT.RECON or CHANGE.RECON command to set the default subsystem identifier in the RECON header record. If you have not specified a default in the RECON header record, you must specify SSID.

### **UNIT**(**3400** | *unittype*)

Optional keyword you use to specify the unit type of the RLDSs. You only specify the UNIT keyword if you specify the DSN keyword. The unit type can be up to 8 alphanumeric characters long.

### **VOLSER**(*volser*)

Optional keyword you use to specify the volume serial number of the log volume being recorded for the identified primary RLDS. For an EOV notification, this volume serial number is that of the volume being started.

You must use the VOLSER keyword during RLDS open and EOV processing.

## **Examples**

Here are some examples of using the NOTIFY.PRILOG (for RLDS) command.

### *Example of adding primary RLDS information to the RECON data set*

In this example, information about a primary RLDS is to be added to the RECON data set. The VOLSER and DSN keywords indicate that the information to be added relates to the opening of the primary RLDS. The STARTIME keyword specifies the time stamp of the opening of the primary RLDS. The first RUNTIME keyword specifies the time stamp of the EOV of the first volume of the primary RLDS. The second RUNTIME keyword specifies the time stamp of the closing volume of the primary RLDS.

```
//NFYPRILG JOB
:
//SYSIN DD *
NOTIFY.PRILOG RLDS STARTIME(07067020101023456) -
VOLSER(VOL001) DSN(PRILOG1) FIRSTREC(001)
NOTIFY.PRILOG RLDS STARTIME(07067020101023456) -
```

```

NOTIFY.PRILOG VOLSER(VOL002) RUNTIME(070670202020)
              RLDS STARTIME(07067020101023456) -
              LASTREC(9999) RUNTIME(070670303030)

```

/\*

### *Example of adding interim-primary RLDS information to the RECON data set*

In this example, information about the interim-primary RLDS is to be added to the RECON data set. The STARTIME keyword specifies the time stamp of the opening of the interim primary RLDS.

```
//NFYPRILG JOB
```

```
:
```

```
//SYSIN DD *
NOTIFY.PRILOG RLDS STARTIME(07254123456123456) -
              DSN(DSNIRLDS) -
              VOLSER(VOL008) -
              FIRSTREC(077) -
              INTERIM
```

/\*

### *Example of creating a PRILOG record for 2 tracking log DSs*

In this example, the sequence of NOTIFY.PRILOG commands create a PRILOG record for two log data sets that were received at a tracking site.

```

NOTIFY.PRILOG RLDS DSN(RECEIVED.DSN1) STARTIME(07123040523523456) -
              NONLOCAL SSID(IMSA) GSG(MYGSG) FIRSTREC(1) -
              VOLSER(VOL003)
NOTIFY.PRILOG RLDS RUNTIME(071230500000) STARTIME(07123040523523456) -
              LASTREC(2376)
NOTIFY.PRILOG RLDS DSN(RECEIVED.DSN2) STARTIME(07123040523523456) -
              FIRSTREC(2377) VOLSER(VOL002)
NOTIFY.PRILOG RLDS RUNTIME(071230700000) STARTIME(07123040523523456) -
              LASTREC(4378)

```

#### **Related reference:**

“DBRC time stamps” on page 52

---

## **NOTIFY.PRILOG command (for SLDS and TSLDS)**

Use a NOTIFY.PRILOG command to add information about a primary SLDS or TSLDS to the RECON data set and to manually create interim-primary log data set records in the RECON data set. This is information that could not be added to the RECON data set from the IMS system log processing exit routines.

If you are processing DBDSs with IMS, you should not need to use this command under normal operating conditions. You must specify a NOTIFY.ALLOC command for each DBDS for which change records might exist on the primary SLDS being added.

This command adds or completes a data set entry in the PRISLD or PRITSLDS record. If you are modifying an existing completed data set entry, you should use the CHANGE.PRILOG (for SLDS) or CHANGE.PRILOG (for TSLDS) command.

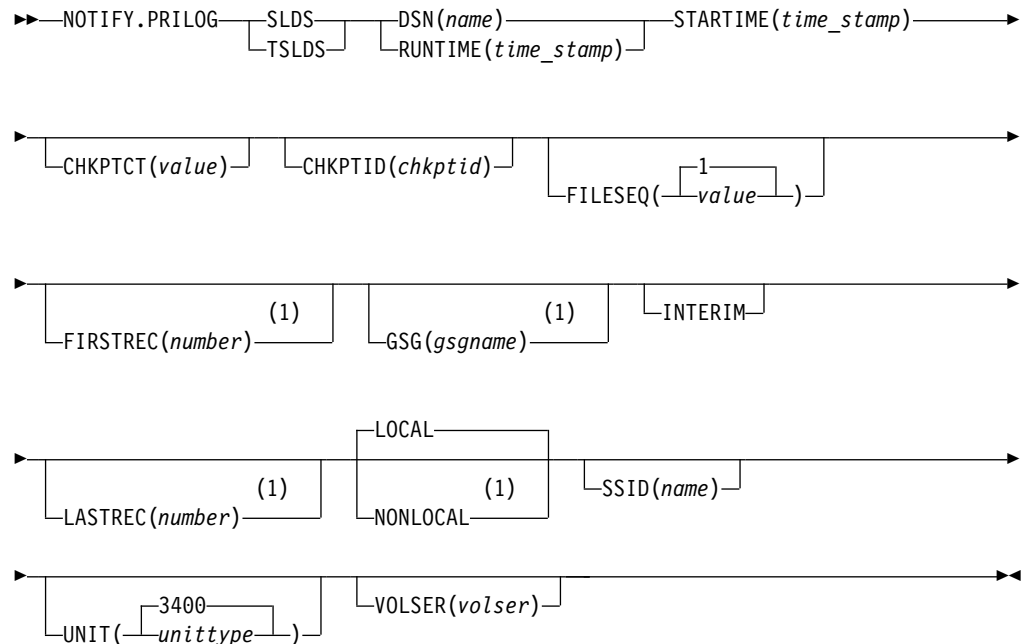
When you issue a NOTIFY.PRILOG for an SLDS, a PRILOG record must exist for the corresponding RLDS. Use NOTIFY.PRILOG (for RLDS) to add information about an SLDS that a batch subsystem creates, because DBRC considers such a data set to be an RLDS.

Subsections:



- “Syntax”
- “Keywords”
- “Example of adding primary SLDS information to the RECON data set” on page 392

## Syntax



### Notes:

- 1 This keyword is not applicable for a NOTIFY.PRILOG TSLDS command.

## Keywords

### SLDS

Required keyword that specifies that a record will be created or updated for an SLDS.

**Note:** Failure to specify either the SLDS or TSLDS keyword results in an attempt to create or update an RLDS record.

### TSLDS

Required keyword that specifies that a record will be created or updated for an SLDS on an RSR tracking subsystem.

**Note:** Failure to specify either the SLDS or TSLDS keyword results in an attempt to create or update an RLDS record.

### DSN(name) | RUNTIME(time\_stamp)

Mutually exclusive, required keywords.

### DSN

Specifies the data set name of the primary SLDS or TSLDS for which a log record is being created in the RECON data set.

**RUNTIME**

Specifies the time stamp of a close or EOVS operation for the specified primary SLDS or TSLDS. The time stamp must be in standard form.

These two keywords are used in conjunction with the STARTIME, FIRSTREC, LASTREC, and VOLSER keywords to identify what type of primary system log data set entry is to be added to the RECON data set. The following table indicates which keyword combinations are required for each type of primary system log data set entry.

**Definitions:****SLDS Open**

Starting to use an SLDS and inserting a starting time.

**SLDS EOVS**

SLDS end of volume (EOVS) notification from the operating system. This is analogous to an OLDS Switch.

**SLDS Close**

Stopping the use of an RLDS (inserting a stop time)

Table 17. Keywords of NOTIFY.PRILOG (SLDS or TSLDS) command for open, EOVS, and close

Type of log entry	Required keywords
SLDS Open	STARTIME, DSN, VOLSER, FIRSTREC
SLDS EOVS	STARTIME, VOLSER, RUNTIME
SLDS Close	STARTIME, RUNTIME, LASTREC

For each primary SLDS or TSLDS, you must issue a separate NOTIFY.PRILOG command for open, zero or more EOVSs, and close.

**STARTIME(*time\_stamp*)**

Required keyword that you use to specify the starting time of a primary SLDS or TSLDS. Use the log start time from the subsystem record or the PRILOG record. The time stamp must be in standard form. For a description of the use of this keyword with other keywords in the NOTIFY.PRILOG command, see Table 17.

**CHKPTCT(*value*)**

Optional keyword that you use to change the number of checkpoints completed on the SLDS or TSLDS volumes. You specify a value for each SLDS or TSLDS volume that is designated.

The valid values for CHKPTCT are:

- 0 No checkpoints in the SLDS or TSLDS volume
- 1 A single checkpoint in the SLDS or TSLDS volume
- 2 More than one checkpoint in the SLDS or TSLDS volume

IMS uses the value of CHKPTCT to determine which logs are necessary to recover a Fast Path area with concurrent image copy.

**CHKPTID(*chkptid*)**

Optional keyword that you use to specify the oldest checkpoint ID for an active PST on an SLDS or TSLDS volume. The checkpoint ID must be in the standard form for a time stamp.

**FILESEQ(1 | *value*)**

Optional keyword that you use to specify the file sequence number of the primary SLDS or TSLDS that is identified. You specify this keyword only if you have also specified the VOLSER keyword.

**FIRSTREC(*number*)**

Optional keyword that you use to specify the log record sequence number of the first log record of the SLDS. For the first SLDS of the PRISLD, FIRSTREC corresponds to the first log record that was written during initialization of the IMS subsystem. This keyword is not applicable for a NOTIFY.PRILOG TSLDS command.

FIRSTREC is required if DSN is specified and is invalid if RUNTIME is specified.

The log record sequence number can be one of the following:

- A hexadecimal number

This number is 1 to 16 characters, enclosed in single quotation marks and preceded by the letter, X. For example: FIRSTREC('X'10B9C').

- A decimal number

This number is a decimal number from 0 to (2\*\*64)-1, without delimiters. For example: FIRSTREC(68508).

In either case, leading zeros can be omitted.

**GSG(*gsname*)**

Optional keyword that you use to specify the GSG name of the IMS subsystem that produced the SLDS. This keyword is not applicable for a NOTIFY.PRILOG TSLDS command.

GSG is required if NONLOCAL is specified.

**INTERIM**

Optional keyword that you use to specify that an interim log data set record is to be created.

**LASTREC(*number*)**

Optional keyword that you use to specify the log record sequence number of the last log record of the SLDS. This keyword is not applicable for a NOTIFY.PRILOG TSLDS command.

LASTREC is required if RUNTIME is specified and VOLSER is not specified (that is, on a CLOSE call). LASTREC is invalid if DSN is specified.

The log record sequence number can be one of the following:

- A hexadecimal number

This number is 1 to 16 characters, enclosed in single quotation marks and preceded by the letter, X. For example: LASTREC('X'10B9C').

- A decimal number

This number is a decimal number from 0 to (2\*\*64)-1, without delimiters. For example: LASTREC(68508).

In either case, leading zeros can be omitted.

**LOCAL | NONLOCAL**

Mutually exclusive, optional keywords that you use to specify where the SLDS data was originally created. LOCAL is used if the SLDS was created by an active IMS subsystem of the local service group. NONLOCAL is used if the SLDS was originally created by an active IMS subsystem of the non-local

service group and transported to the tracking site. This keyword is not applicable for a NOTIFY.PRILOG TSLDS command.

LOCAL or NONLOCAL need only be specified when creating the PRISLDS or PRITSLDS record. The LOCAL and NONLOCAL keywords are ignored on subsequent NOTIFY.PRILOG invocations for the PRISLD record.

If NONLOCAL is specified, none of the keywords CHKPTID, FILESEQ, UNIT, or VOLSER can be specified (the data sets must be cataloged) on any NOTIFY.PRILOG invocation for the PRISLD record.

#### **SSID**(*name*)

Optional keyword that you use to specify the name of the IMS subsystem that created the log data set.

The SSID is an eight-character, alphanumeric string that represents a valid IMS subsystem identification name. If you do not specify SSID, DBRC uses the default subsystem identifier in the RECON header record. You use the INIT.RECON or CHANGE.RECON command to set the default subsystem identifier in the RECON header record. If you have not specified a default in the RECON header record, you must specify SSID.

#### **UNIT**(3400 | *unittype*)

Optional keyword that you use to specify the unit type of the SLDSs or TSLDSs. You only specify the UNIT keyword if you specify the DSN keyword. The unit type can be up to 8 alphanumeric characters.

#### **VOLSER**(*volser*)

Optional keyword that you use to specify the volume serial number of the log volume being recorded for the identified primary SLDS or TSLDS. For an EOV notification, this volume serial number is that of the volume being started.

**Note:** You must use the VOLSER keyword during SLDS or TSLDS open and EOV.

### **Example of adding primary SLDS information to the RECON data set**

In this example, information about a primary SLDS is to be added to the RECON data set. The VOLSER and DSN keywords indicate that the information to be added relates to the opening of the primary SLDS. The STARTIME keyword specifies the time stamp of the opening of the primary SLDS. The first RUNTIME keyword specifies the time stamp of the EOV of the first volume of the primary SLDS. The second RUNTIME keyword specifies the time stamp of the closing volume of the primary SLDS.

```
//NFYPRILG JOB
:
//SYSIN DD *
NOTIFY.PRILOG SLDS STARTIME(07067020101023456) -
VOLSER(VOL004) DSN(PRILOG4) FIRSTREC(7000)
NOTIFY.PRILOG SLDS STARTIME(07067020101023456) -
VOLSER(VOL005) RUNTIME(070670202020)
NOTIFY.PRILOG SLDS STARTIME(07067020101023456) -
RUNTIME(070670303030) LASTREC(8889)
/*
```

#### **Related reference:**

“DBRC time stamps” on page 52

---

## NOTIFY.RECOV command

Use a NOTIFY.RECOV command to add information about recovery of a specified DBDS or DEDB area to the RECON data set.

You must use this command whenever you perform the recovery of a DBDS or DEDB area in any way other than using the Database Recovery utility (for example, by restoring the DASD volume on which the DBDS or area resides). In addition, you can notify DBRC when you recover a DBDS or DEDB area using the Database Recovery utility.

You can also use this command if you need to recover a DEDB area using the user image copy data set created by the DEDB Alter utility. Before you run the Database Recovery utility, issue the NOTIFY.RECOV command to notify the DBRC that you restored the DEDB area.

When specifying the RCVTIME keyword to inform DBRC of a time-stamp recovery, the RECON data set must contain a record of the image copy data set that you used to restore the DBDS or DEDB area. The image copy record can be either a standard or a clean nonstandard image copy. If it is a clean nonstandard image copy, then its time stamp cannot fall within the range of an existing time stamp recovery (the time between the RECOV TO and RUN times). The time stamp of the image copy record must be equal to that specified in the RCVTIME keyword of the NOTIFY.RECOV command. Do not use the NOTIFY.RECOV command with fuzzy nonstandard image copies.

For a receive, specify both the RCVUSID and RUNUSID parameters. Specify the same *usid* value for both parameters: the update set identifier (*usid*) of the image copy that was used for recovery. For a time-stamp recovery, specify the RCVUSID parameter with the *usid* value that the database was recovered to, and specify the RUNUSID parameter with the *usid* that was current when the recovery occurred. Future recoveries will ignore all records associated with *usid* values between those specified for the RCVUSID and RUNUSID parameters.

In a data sharing environment, after you notify DBRC of a nonstandard recovery or an IMS recovery, DBRC turns off the recovery-needed flag and decreases the counter in the appropriate DBDS and DB records in the RECON data set.

If you need to recover a DEDB area using the user image copy data set that was created by the DEDB Alter utility, you must issue the NOTIFY.RECOV command before you run the Database Recovery utility.

- Issue the NOTIFY.RECOV command to notify DBRC that you restored the DEDB area. The RCVTIME(*time\_stamp*) is the timestamp of the user image copy that was created by the DEDB Alter utility and recorded in the RECON:  
NOTIFY.RECOV DBD(*name*) AREA(*name*) RCVTIME(*time\_stamp*)
- Issue the GENJCL.RECOV command to generate the recovery JCL with the USEAREA keyword to indicate that no image copy data set is to be included in the generated JCL: GENJCL.RECOV DBD(*name*) AREA(*name*) USEAREA

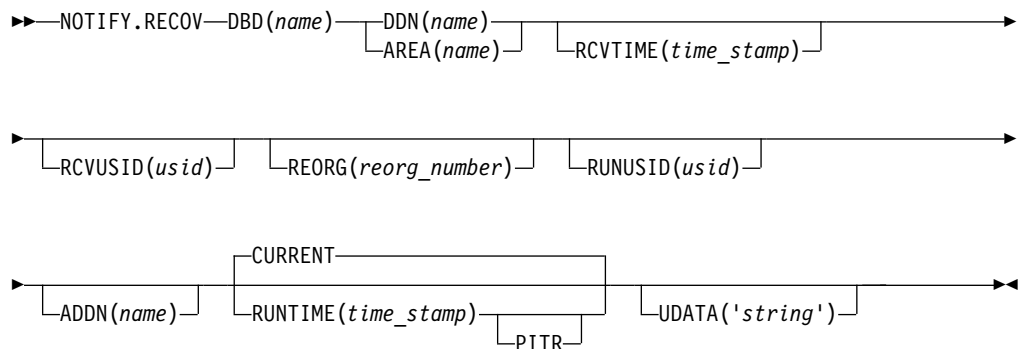
**Restriction:** This command is not allowed for ILDS or Index DBDSs of HALDB partitions.

Subsections:

- “Syntax” on page 394
- “Keywords” on page 394

- “Example of adding DBDS recovery information to the RECON data set” on page 395

## Syntax



## Keywords

### DBD(*name*)

Required keyword you use to specify the database name of the DBDS or DEDB area.

**Restriction for HALDB databases:** When using the NOTIFY.RECOV command for HALDB databases, *name* must specify the name of a HALDB partition.

### DDN(*name*) | AREA(*name*)

Mutually exclusive, required keywords you use to specify the ddname of the DBDS or DEDB area for which DBRC is to add the database recovery record to the RECON data set.

### ADDN(*name*)

Optional keyword you use to specify the ADS DD name of the ADS for which a Fast Path DEDB area recovery record is being added to the RECON data set.

You can specify this keyword only when you specify the AREA(*name*) keyword.

### CURRENT | RUNTIME(*time\_stamp*) PITR

Mutually exclusive, optional keywords you use to specify the time stamp at which the DBDS or DEDB area was recovered.

#### CURRENT

Specifies that the current time stamp is to be used as the time stamp of the recovery. You can add the recovery information to the RECON data set in a later step of the same job that performs the recovery if you specify CURRENT.

#### RUNTIME

Specifies the actual time stamp of a recovery of the DBDS or DEDB area. The time stamp must be in standard form.

The optional PITR keyword specifies a point-in-time recovery. You must use the RCVTIME keyword if you use PITR.

### RCVTIME(*time\_stamp*)

Optional keyword you use to specify the point in time to which the DBDS or

DEDB area was restored. It can be any time when the DBDS or area was not being updated, that is, a time that is not covered by an active ALLOC record in the RECON data set.

If you do not specify the RCVTIME keyword, you are notifying DBRC of a full recovery.

If you specify RCVTIME and the database or DEDB area is covered by RSR, you must also specify RCVUSID.

You must use RCVTIME if you use the RUNTIME keyword with the PITR keyword.

**Restriction:** Do not use the RCVTIME keyword when recovering from a nonstandard image copy at a tracking subsystem.

#### **RCVUSID(*usid*)**

Optional keyword you use to specify the effective update set identifier (USID) to which the DBD or DEDB area was recovered.

This keyword must be specified if the database or DEDB area is covered by RSR and RCVTIME was specified; it is not allowed if RCVTIME is not specified.

The USID value you use is the one in the listing of the IMAGE record.

#### **REORG(*reorg\_number*)**

Optional keyword that specifies the database reorganization number that was effective after the database was recovered to the value specified for this parameter. This number must be 1 - 65535.

**Restriction:** This keyword is valid only if reorganization number verification is active in the RECON data set and the database is a HALDB partition. If the NOTIFY.RECOV command is issued as part of a database recovery, the reorganization number in the HALDB partition database record is also changed to the value given for this parameter.

#### **RUNUSID(*usid*)**

Optional keyword you use to specify the current update set identifier (*usid*) at the time the database or DEDB area was recovered. If this is a receive, RUNUSID is the *usid* value of the image copy that was used for recovery.

RUNUSID must be specified for recovery of an RSR-covered database or DEDB area.

#### **UDATA('string')**

Optional keyword you use to specify up to 80 bytes of information about the identified recovery. You can use the variable field of this keyword to describe the recovery. The *string* value must be enclosed in single quotation marks if blanks or any other special characters are included.

### **Example of adding DBDS recovery information to the RECON data set**

In this example, information about recovery of a specified DBDS is to be added to the RECON data set. The RUNTIME keyword specifies the time stamp of the recovery of the DBDS. The PITR keyword specifies a point-in-time recovery. The RCVTIME keyword specifies the time stamp to which the specified DBDS was recovered.

```

//NFYRECOV JOB
:
//SYSIN DD *
NOTIFY.RECOV DBD(DB1) DDN(DDN1) -
              RUNTIME(071351015366) -
              RCVTIME(071350905297) -
              PITR
/*

```

After the command is executed, a listing of the RECON shows the RECOV record, as illustrated as follows.

```

RECOV
RUN      = 2007.135 10:15:36.6 -08:00 * RUN USID      = 0000000005
RECOV TO= 2007.135 09:05:29.7 -08:00 RECOV TO USID = 0000000004
POINT-IN-TIME

```

### Example of changed reorganization numbers in the RECON data set

These examples show records with new reorganization numbers that were added as a result of running a recovery utility or executing recovery at an RSR tracker.

```

RECOV
RUN      = 2009.033 10:15:36.612345 -08:00 * RUN USID      = 0000000005
              PRIOR REORG# = 00009          NEW REORG# = 00010

```

```

RECOV
RUN      = 2009.033 10:15:36.612345 -08:00 * RUN USID      = 0000000005
RECOV TO= 2009.033 09:05:29.712345 -08:00 RECOV TO USID = 0000000004
              PRIOR REORG# = 00009          NEW REORG# = 00010

```

```

RECOV
RUN      = 2009.034 10:15:36.612345 -08:00 * RUN USID      = 0000000005
RECOV TO= 2009.034 09:05:29.712345 -08:00 RECOV TO USID = 0000000004
POINT-IN-TIME          PRIOR REORG# = 00009          NEW REORG# = 00010

```

These examples show records with new reorganization numbers that were added as a result of issuing NOTIFY.RECOV (external) commands.

```

RECOV
RUN      = 2009.033 10:15:36.612345 -08:00 * RUN USID      = 0000000005
              CMD PRIOR REORG# = 00009          NEW REORG# = 00010

```

```

RECOV
RUN      = 2009.033 10:15:36.612345 -08:00 * RUN USID      = 0000000005
RECOV TO= 2009.033 09:05:29.712345 -08:00 RECOV TO USID = 0000000004
              CMD PRIOR REORG# = 00009          NEW REORG# = 00010

```

```

RECOV
RUN      = 2009.034 10:15:36.612345 -08:00 * RUN USID      = 0000000005
RECOV TO= 2009.034 09:05:29.712345 -08:00 RECOV TO USID = 0000000004
POINT-IN-TIME          CMD PRIOR REORG# = 00009          NEW REORG# = 00010

```

#### Related reference:

“DBRC time stamps” on page 52

---

## NOTIFY.REORG command

Use a NOTIFY.REORG command to add a record to the RECON data set about the reorganization of the database to which an identified DBDS belongs.

The information in the reorganization record is used by DBRC to determine which image copy data sets, change accumulation data sets, and log data sets are valid as input to a subsequent recovery of the identified DBDS.



Normally, the use of the NOTIFY.REORG command is not required because reorganization records are created automatically by IMS and the IMS utilities.

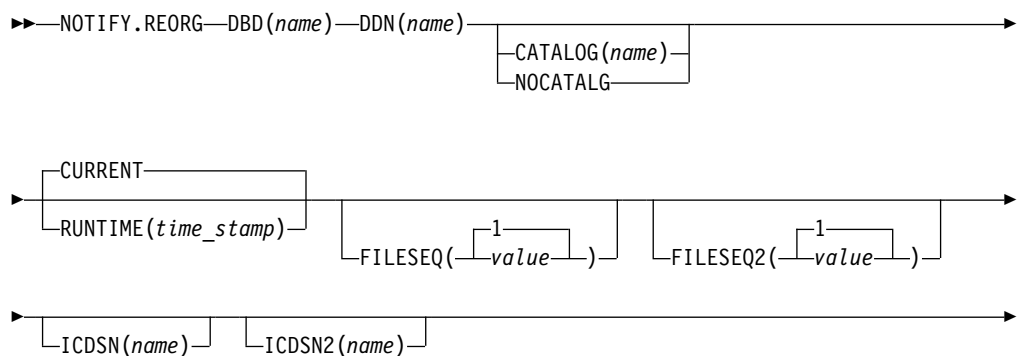
**Restrictions:**

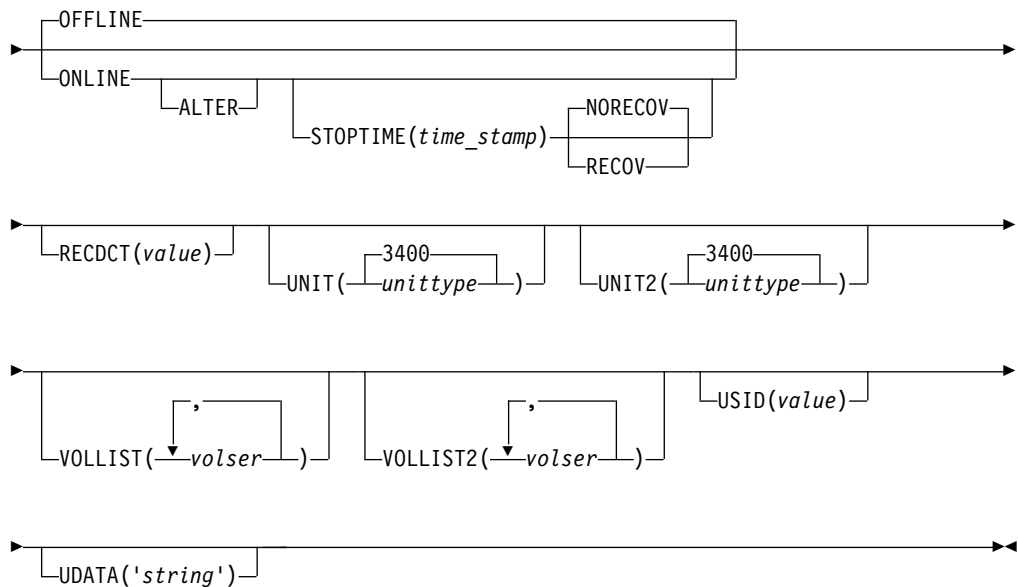
- This command should not be used following the reorganization of a Fast Path DEDB. Such databases can be recovered after a reorganization.
- This command turns on the flag needed by the image copy process in the DBDS record. You must either run an image copy or issue the CHANGE.DBDS ICOFF command to turn off the flag.
- This command can also be used to record in the RECON data set the equivalent of an image copy data set that was created for the HISAM Reorganization Reload utility. Use this command only if you are using these logs as an image copy data set.
- All optional keywords except CURRENT or RUNTIME apply only to the image copy data set that was created as part of the processing by the HISAM Reorganization Reload utility.
- You must specify a NOTIFY.REORG command for each DBDS in the database that was reorganized.
- For non-HALDB databases, either the name of an IMS catalog that is enabled to manage ACBs must be specified in the RECON or with the NOTIFY.REORG command or, if the IMS catalog does not manage ACBs, a DD statement for the IMS.DBDLIB data set must be provided in the job stream of the NOTIFY.REORG command.
- The NOTIFY.REORG command, and database reorganization in general, are invalid for databases at an RSR tracking site.
- The NOTIFY.REORG command is not allowed for ILDS or Index DBDSs of HALDB partitions.

**Subsections:**

- "Syntax"
- "Keywords" on page 398
- "Example of adding DBDS reorganization information to the RECON data set" on page 400

**Syntax**





## Keywords

### DBD(*name*)

Required keyword you use to identify the database name of the DBDS that was reorganized.

**Restriction for HALDB databases:** When using the NOTIFY.REORG command for HALDB databases, *name* must specify the name of a HALDB partition.

### DDN(*name*)

Required keyword you use to identify the data set ddname of the DBDS that was reorganized.

### CATALOG(*name*) | NOCATALG

Mutually exclusive, optional parameters that you use to indicate whether a catalog or a DBDLIB is to be used during the NOTIFY.REORG command. If these parameters are omitted, then the specification in the RECON header determines whether IMS uses an IMS catalog or a DBDLIB for the NOTIFY.REORG.

For databases that are defined using Database Definition Language (DDL), DBRC must access a catalog.

#### CATALOG(*name*)

Specifies that the NOTIFY.REORG command uses the specified IMS catalog instead of the DBD library.

Specify *name* as an eight-character alphanumeric string that matches the name of a HALDB IMS catalog database that is registered in the RECON data set. Any IMS catalog name that is less than eight-characters is padded with blanks.

The IMS catalog name is validated during the NOTIFY.REORG command. If the catalog does not exist or is not defined as a HALDB database, the command fails.

#### NOCATALG

Specifies that the NOTIFY.REORG command uses the DBD library instead of the IMS catalog.

**CURRENT** | **RUNTIME**(*time\_stamp*)

Mutually exclusive, optional keywords you use to specify the time stamp of the reorganization of the identified DBDS.

**CURRENT**

Specifies that the current time stamp is to be placed in the reorganization record. You can specify a NOTIFY.REORG command as a later step in the same job that performs the reorganization if you specify CURRENT.

**RUNTIME**

Specifies that the actual time stamp of the reorganization is to be placed in the reorganization record. The time stamp must be in standard form.

**FILESEQ**(1 | *value*)

Optional keyword you use to specify the file sequence number of the identified DBDS that was included in the logs that were used as input to a run of the HISAM Reorganization Reload utility. The description of the ICDSN keyword contains information about the log data set with which this keyword is associated. You use this keyword only when the VOLLIST keyword has also been specified.

**FILESEQ2**(1 | *value*)

Optional keyword you use to specify the file sequence number of the identified DBDS when it was included in the logs that were used as input to the HISAM Reorganization Reload utility. The description of the ICDSN2 keyword contains information about the log data set with which this keyword is associated. You use this keyword only when the VOLLIST2 keyword has also been specified.

**ICDSN**(*name*)

Optional keyword you use to specify the data set name of the image copy data set that was created as part of a HISAM reorganization of a database. (If you reorganized your database using the HISAM Reorganization Reload utility, the logs that were used as input to that utility can be used as image copy data sets.)

You can specify an ICDSN keyword only if the corresponding DBDS was identified to the RECON data set with the NOREUSE attribute in an INIT.DBDS command.

**ICDSN2**(*name*)

Optional keyword you use to specify the data set name of the duplicate image copy data set that was created as part of a HISAM reorganization of a database. (If you reorganized your database using the HISAM Reorganization Reload utility, the logs that were used as input to that utility can be used as image copy data sets.)

You can specify an ICDSN2 keyword only if you have specified an ICDSN keyword.

**OFFLINE** | **ONLINE**

Mutually exclusive, optional keywords that specify whether the reorganization is a HALDB OLR or an offline reorganization.

**OFFLINE**

Specifies that the DBDS was reorganized offline.

**ONLINE**

Specifies that the database is a HALDB and that it was reorganized online.

**ALTER**

Specifies that the reorganization altered the database structure.

**STOPTIME**(*time\_stamp*)

Optional keyword that specifies the time when a HALDB OLR completed successfully.

**NORECOV | RECOV**

Mutually exclusive, optional keywords that specify whether the online reorganization can be used as input for recovery.

**NORECOV**

Specifies that the HALDB OLR cannot be used as input to recovery.

**RECOV**

Specifies that the HALDB OLR may be used as input to recovery.

**RECDCT**(*value*)

Optional keyword you use to specify the number of records that are contained in the identified DBDS. *value* must be a decimal number from 1 to 2 147 483 647.

**UNIT**(**3400** | *unittype*)

Optional keyword you use to specify the unit type of the volumes on which the image copy data set resides. The unit type can be up to 8 alphanumeric characters.

**UNIT2**(**3400** | *unittype*)

Optional keyword you use to specify the unit type of the volumes on which the duplicate image copy data set resides. The unit type can be up to 8 alphanumeric characters.

**VOLLIST**(*volser*)

Optional keyword you use to specify the volume serial numbers of the volumes on which the image copy data set identified by the ICDSN keyword resides. You can specify up to 255 volume serial numbers for *volser*; each *volser* can be up to 6 alphanumeric characters.

**VOLLIST2**(*volser*)

Optional keyword you use to specify the volume serial numbers of the volumes on which the duplicate image copy data set, identified by the ICDSN2 keyword, resides. You can specify up to 255 volume serial numbers for *volser*; each can be up to six alphanumeric characters.

**USID**(*value*)

Optional keyword you use to specify the update set identifier of the database or area when the reorganization occurred.

USID is required if the database or area is assigned to a global service group. If the database or area is not assigned to a GSG, USID is optional.

**UDATA**('string')

Optional keyword you use to specify up to 80 bytes of information about the reorganization. You can use the variable field of this keyword to describe the reorganization. The *string* value must be enclosed in single quotation marks if blanks or any other special characters are included.

**Example of adding DBDS reorganization information to the RECON data set**

In this example, information about a reorganization of a specified DBDS is to be added to the RECON data set. The DBDLIB data set is specified, because DBRC requests a search of it to verify that the reorganization occurred. The names of two

image copy data sets for the reorganized DBDS are given. They both follow the data set naming convention, and a list of volumes is provided for both image copy data sets.

```
//NFYREORG JOB
:
//IMS      DD  DSN=IMS.DBDLIB,DISP=SHR
//SYSIN    DD  *
          NOTIFY.REORG DBD(DB1) DDN(DD1) -
                    ICDSN(IMS.DB1.DD1.IC.ICDSN) -
                    VOLLIST(VOL001,VOL002,VOL003) FILESEQ(4) -
                    ICDSN2(IMS.DB1.DD1.IC2.ICDSN2) -
                    VOLLIST2(VOL004,VOL005,VOL006,VOL007) -
                    FILESEQ2(4) RECDCT(12345)

/*
```

### Example using the DBDLIB instead of the default catalog name

```
//NFYREORG JOB
:
//IMS      DD  DSN=IMS.DBDLIB,DISP=SHR
//SYSIN    DD  *
          NOTIFY.REORG DBD(DB1) DDN(DD1) -
                    ICDSN(IMS.DB1.DD1.IC.ICDSN) -
                    VOLLIST(VOL001,VOL002,VOL003) FILESEQ(4) -
                    ICDSN2(IMS.DB1.DD1.IC2.ICDSN2) -
                    VOLLIST2(VOL004,VOL005,VOL006,VOL007) -
                    FILESEQ2(4) RECDCT(12345) -
                    NOCATALG

/*
```

### Example using the catalog name GREGCD00 instead of the default catalog name

```
//NFYREORG JOB
:
//SYSIN    DD  *
          NOTIFY.REORG DBD(DB1) DDN(DD1) -
                    ICDSN(IMS.DB1.DD1.IC.ICDSN) -
                    VOLLIST(VOL001,VOL002,VOL003) FILESEQ(4) -
                    ICDSN2(IMS.DB1.DD1.IC2.ICDSN2) -
                    VOLLIST2(VOL004,VOL005,VOL006,VOL007) -
                    FILESEQ2(4) RECDCT(12345) -
                    CATALOG(GREGCD000)

/*
```

#### Related reference:

“DBRC time stamps” on page 52

---

## NOTIFY.SECLOG command (for OLDS)

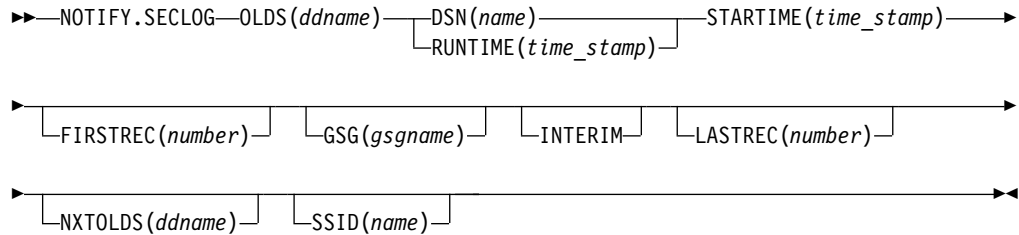
Use the NOTIFY.SECLOG command to add information about a secondary OLDS to the RECON data set and to manually create an ISECOLDS record in the RECON data set.

The RECON data set must already contain a PRIOLDS record with the same SSID and STARTIME. This is information that could not be added from the IMS log data exit routines. This command is not normally required.

Subsections:

- “Syntax”
- “Keywords”
- “Examples” on page 404

## Syntax



## Keywords

### OLDS(*ddname*)

Required keyword you use to specify that a record is to be created or updated in the RECON data set for the OLDS.

*ddname* is the ddname that the IMS online control region used when it used the OLDS.

### DSN(*name*) | RUNTIME(*time\_stamp*)

Mutually exclusive, required keywords.

#### DSN

Specifies the data set name of the secondary OLDS for which an online log record is being created in the RECON data set.

#### RUNTIME

Specifies the time stamp of an open or close operation of the specified secondary OLDS. The time stamp must be in standard form.

DSN and RUNTIME are used in conjunction with the STARTIME, FIRSTREC, LASTREC, and NXTOLDS keywords to identify which type of secondary online log data set entry is to be added to the RECON data set. The following table indicates the keyword combinations that correspond to the type of secondary online log data set entry.

Table 18. Keywords of NOTIFY.SECLOG command (for OLDS) for open, switch, and close

Type of online log entry	Required keywords
OLDS Open	STARTIME, DSN, FIRSTREC
OLDS Switch	FIRSTREC, STARTIME, DSN, NXTOLDS
OLDS Close	LASTREC, STARTIME, RUNTIME

For each secondary OLDS, you must issue a separate NOTIFY.SECLOG command for open, switch, and close operations.

### STARTIME(*time\_stamp*)

Required keyword you use to specify the starting time of a secondary OLDS. The time stamp must be in standard form.

For a description of the use of this keyword with other keywords in the NOTIFY.SECLOG command, see Table 18.

**FIRSTREC**(*number*)

Optional keyword you use to specify the log record sequence number of the first log record of the OLDS. For the first OLDS of the SECLOG, FIRSTREC corresponds to the first log record that was written during initialization of the IMS subsystem.

FIRSTREC is required for OLDS OPEN and SWITCH commands. It specifies the first log record sequence number on the OLDS being opened. It is invalid for a CLOSE command.

The log record sequence number can be one of the following:

- A hexadecimal number

This number is 1 to 16 characters, enclosed in single quotation marks and preceded by the letter, X. For example: FIRSTREC(X'10B9C').

- A decimal number

This number is a decimal number from 0 to (2\*\*64)-1, without delimiters. For example: FIRSTREC(68508).

In either case, leading zeros can be omitted.

**GSG**(*gsname*)

Optional keyword you use to specify the GSG name of the IMS subsystem that produced the OLDS.

GSG is required if LOGTOKEN is specified.

**INTERIM**

Optional keyword you use to specify that an interim log data set record is to be created. Before you create an interim log data set, you must create a secondary OLDS.

**LASTREC**(*number*)

Optional keyword you use to specify the log record sequence number of the last log record of the OLDS.

LASTREC is required for the OLDS CLOSE command. It is optional for the SWITCH command; if it is omitted, the FIRSTREC value minus 1, is recorded for the OLDS being closed. It is invalid for an OPEN command.

The log record sequence number can be one of the following:

- A hexadecimal number

This number is 1 to 16 characters, enclosed in single quotation marks and preceded by the letter, X. For example: LASTREC(X'10B9C').

- A decimal number

This number is a decimal number from 0 to (2\*\*64)-1, without delimiters. For example: LASTREC(68508).

In either case, leading zeros can be omitted.

**NXTOLDS**(*ddname*)

Optional keyword you use when the RECON data set is to be updated to reflect an OLDS switch. The current OLDS is closed and an IMS online control region opens a new OLDS. *ddname* is the DD statement of the OLDS being opened. You specify the OLDS being closed with the OLDS(*ddname*) keyword. Use the DSN keyword to specify the data set name of the OLDS being opened. Use the STARTIME keyword to specify the close time of the OLDS being closed and the open time of the OLDS being opened.

**SSID**(*name*)

Optional keyword you use to specify the name of the IMS subsystem that created the log data set.

The SSID is an eight-character alphanumeric string that represents a valid IMS subsystem identification name. If you do not specify SSID, DBRC uses the default subsystem identifier in the RECON header record. You use the INIT.RECON or CHANGE.RECON command to set the default subsystem identifier in the RECON header record. If you have not specified a default in the RECON header record, you must specify SSID.

**Examples**

Here are some examples of using the NOTIFY.SECLOG (for OLDS) command.

*Example of creating the ISECOLDS record that corresponds to the OLDS*

In this example, an ISECOLDS record corresponding to the OLDS is created.

```
//NFYSECLG JOB
:
//SYSIN DD *
  NOTIFY.SECLOG SSID(IMSA) OLDS(DFSOLS03) -
                DSN(IMS.INTERIM.LOG) -
                STARTIME(073220522348) -
                INTERIM
/*
```

*Example of creating a SECOLDS record for 2 secondary OLDSs*

In this example, you create a SECOLDS record for two secondary OLDSs that belong to IMS online subsystem IMSA. Both secondary OLDSs are closed. The first STARTIME keyword specifies the time stamp of the opening of the primary OLDS. The DSN keyword indicates that information added relates to the opening of the OLDS. NXTOLDS indicates an OLDS switch. The second STARTIME keyword and second DSN indicate the start time and DSN of the next OLDS. The third STARTIME keyword indicates the start time of the OLDS to be closed. The RUNTIME keyword is the time stamp of the closing volume.

```
NOTIFY.SECLOG SSID(IMSA) STARTIME(072171212120) OLDS(DFSOLS01)-
              DSN(IMS.OLSS01)
NOTIFY.SECLOG SSID(IMSA) STARTIME(072181212120) OLDS(DFSOLS01)-
              DSN(IMS.OLSS02) NXTOLDS(DFSOLS02)
NOTIFY.SECLOG SSID(IMSA) STARTIME(072181212120) OLDS(DFSOLS02)-
              RUNTIME(072191010101)
```

**Related reference:**

“DBRC time stamps” on page 52

---

**NOTIFY.SECLOG command (for RLDS)**

Use a NOTIFY.SECLOG command to add information about a secondary RLDS to the RECON data set and to manually create an ISECLOG record in the RECON data set.

The RECON data set must already contain a PRILOG with the same SSID and STARTIME. This is information that could not be added from the IMS log data exit routines. This command is not normally required.

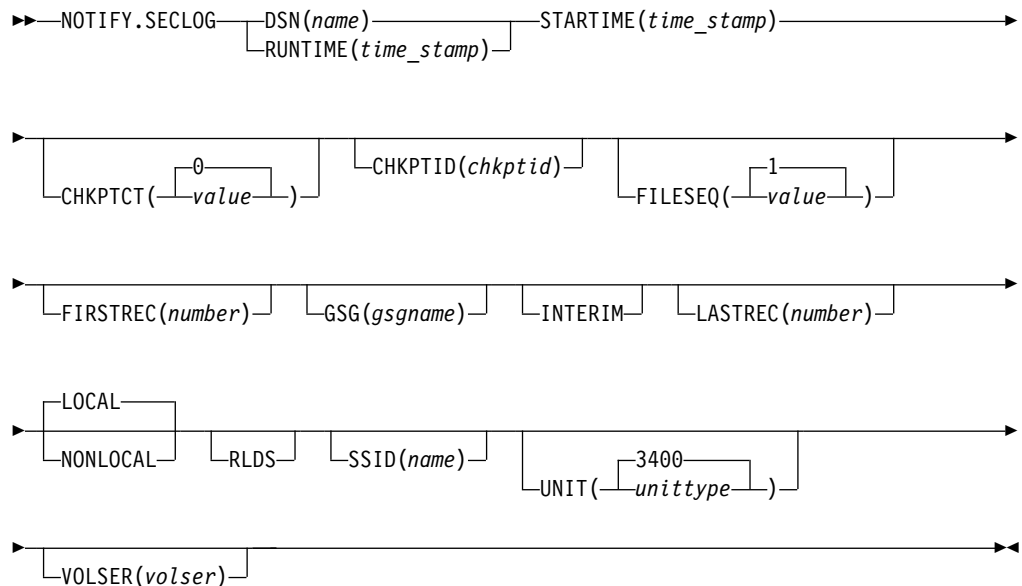


This command adds or completes a data set entry in the Primary Log record. If you are modifying an existing completed data set entry, you should use the CHANGE.SECLOG (RLDS) command.

Subsections:

- “Syntax”
- “Keywords”
- “Examples” on page 408

## Syntax



## Keywords

**DSN(name) | RUNTIME(time\_stamp)**

Mutually exclusive, required keywords.

### DSN

Specifies the data set name of the secondary RLDS for which a recovery log record is being created in the RECON data set.

### RUNTIME

Specifies the time stamp of an open, close, or EOVS operation of the specified secondary RLDS. The time stamp must be in standard form.

DSN and RUNTIME are used in conjunction with the STARTIME and VOLSER keywords to identify which type of secondary recovery log data set entry is to be added to the RECON data set. The following table indicates the keyword combinations that correspond to the type of secondary recovery log data set entry.

Table 19. Keywords of NOTIFY.SECLOG command (for RLDS) for open, EOVS, and close

Type of recovery log entry	Required keywords
RLDS Open	STARTIME, DSN, VOLSER
RLDS EOVS	STARTIME, VOLSER, RUNTIME

Table 19. Keywords of NOTIFY.SECLOG command (for RLDS) for open, EOVS, and close (continued)

Type of recovery log entry	Required keywords
RLDS Close	STARTIME, RUNTIME

For each secondary RLDS, you must issue a separate NOTIFY.SECLOG command for open, zero or more ends-of-volume, and close processing.

**STARTIME**(*time\_stamp*)

Required keyword you use to specify the starting time of a secondary RLDS. The time stamp must be in standard form.

If you issue a subsequent STARTIME keyword, that time is the start time of the volume. For a description of the use of the STARTIME keyword with other keywords in the NOTIFY.SECLOG command, see Table 19 on page 405.

**CHKPTCT**(0 | *value*)

Optional keyword you use to change the number of checkpoints completed on the RLDS volumes.

The valid values for CHKPTCT are:

- 0 No checkpoints in the RLDS volume
- 1 A single checkpoint in the RLDS volume
- 2 More than one checkpoint in the RLDS volume

IMS uses the value of CHKPTCT to determine which logs are necessary to recover a Fast Path area with concurrent image copy.

**CHKPTID**(*chkptid*)

Optional keyword you use to specify the oldest checkpoint ID for an active PST on an RLDS volume. The checkpoint ID must be in standard form for a time stamp.

**FILESEQ**(1 | *value*)

Optional keyword you use to specify the file sequence number of the secondary RLDS that is identified. You specify this keyword only if you have also specified the VOLSER keyword.

**FIRSTREC**(*number*)

Optional keyword you use to specify the log record sequence number of the first log record of the RLDS. For the first RLDS of the SECLOG, it corresponds to the first log record that was written during initialization of the IMS subsystem.

FIRSTREC is required if DSN is specified and is invalid if RUNTIME is specified.

The log record sequence number can be one of the following:

- A hexadecimal number  
This number is 1 to 16 characters, enclosed in single quotation marks and preceded by the letter, X. For example: FIRSTREC('X'10B9C').
- A decimal number  
This number is a decimal number from 0 to (2\*\*64)-1, without delimiters. For example: FIRSTREC(68508).

In either case, leading zeros can be omitted.

**GSG**(*gsgname*)

Optional keyword you use to specify the GSG name of the IMS subsystem that produced the RLDS.

GSG is required if NONLOCAL is specified.

**INTERIM**

Optional keyword you use to specify that an interim log data set record is to be created.

**LASTREC**(*number*)

Optional keyword you use to specify the log record sequence number of the last log record of the RLDS.

LASTREC is required if RUNTIME is specified and VOLSER is not specified (that is, on a Close call). LASTREC is invalid if DSN is specified.

The log record sequence number can be one of the following:

- A hexadecimal number

This number is 1 to 16 characters, enclosed in single quotation marks and preceded by the letter, X. For example: LASTREC(X'10B9C').

- A decimal number

This number is a decimal number from 0 to (2\*\*64)-1, without delimiters. For example: LASTREC(68508).

In either case, leading zeros can be omitted.

**LOCAL | NONLOCAL**

Mutually exclusive, optional keywords you use to specify where the RLDS data was originally created. LOCAL is used if the RLDS was created by an active IMS subsystem of the local service group. NONLOCAL is used if the RLDS was originally created by an active IMS subsystem of the non-local service group and transported to the tracking site.

LOCAL or NONLOCAL need only be specified when creating the SECLOG record. The LOCAL and NONLOCAL keywords are ignored on subsequent NOTIFY.SECLOG invocations for the SECLOG record.

If NONLOCAL is specified, none of the keywords CHKPTID, FILESEQ, UNIT, or VOLSER can be specified (the data sets must be cataloged) on any NOTIFY.SECLOG invocation for the SECLOG record.

**RLDS**

Optional keyword you use to specify that a record is to be created or updated in the RECON data set for an IMS RLDS.

**SSID**(*name*)

Optional keyword you use to specify the name of the IMS subsystem that created the log data set.

The SSID is an eight-character alphanumeric string that represents a valid IMS subsystem identification name. If you do not specify SSID, DBRC uses the default subsystem identifier in the RECON header record. You use the INIT.RECON or CHANGE.RECON command to set the default subsystem identifier in the RECON header record. If you have not specified a default in the RECON header record, you must specify SSID.

**UNIT**(**3400** | *unittype*)

Optional keyword you use to specify the unit type of the volumes on which the secondary RLDSs reside. You only specify the UNIT keyword if you specify the DSN keyword. The unit type can be up to eight alphanumeric characters.

### **VOLSER**(*volser*)

Optional keyword you use to specify the volume serial number of the recovery log volume that is being recorded for the identified secondary RLDS. For an EOVS notification, this volume serial number is that of the volume being started. Table 19 on page 405 identifies when you use the VOLSER keyword.

### **Examples**

Here are some examples of using the NOTIFY.SECLOG (for RLDS) command.

#### *Example of adding secondary RLDS information to the RECON data set*

In this example, information about a secondary RLDS is to be added to the RECON data set. The STARTIME keyword identifies the secondary RLDS by its opening time stamp. The VOLSER and DSN keywords indicate that the information to be added relates to the opening of the primary RLDS. The first RUNTIME keyword specifies the time stamp of the EOVS of the secondary RLDS. The second RUNTIME keyword specifies the time stamp of the closing of the secondary RLDS.

```
//NFYSECLG JOB
:
//SYSIN DD *
    NOTIFY.SECLOG RLDS STARTIME(07067020101023456) -
                  DSN(DSN003) VOLSER (VOL001)
    NOTIFY.SECLOG RLDS STARTIME(07067020101023456) -
                  RUNTIME(070680204500) VOLSER(VOL002)
    NOTIFY.SECLOG RLDS STARTIME(07067020101023456) -
                  RUNTIME(070682030000)
/*
```

#### *Example of adding interim secondary RLDS information to the RECON data set*

In this example, information about the interim secondary RLDS is to be added to the RECON data set. The STARTIME keyword specifies the time stamp of the opening of the interim-secondary RLDS, and the RUNTIME keyword specifies the time stamp of the closing of the interim-secondary RLDS.

```
//NFYSECLG JOB
:
//SYSIN DD *
    NOTIFY.SECLOG RLDS RUNTIME(072561630000)-
                  STARTIME(07254123456123456) INTERIM
/*
```

#### **Related reference:**

“DBRC time stamps” on page 52

---

## **NOTIFY.SECLOG command (for SLDS and TSLDS)**

Use the NOTIFY.SECLOG command to add information about a secondary SLDS or TSLDS to the RECON data set and to manually create an ISECSLDS record in the RECON data set.

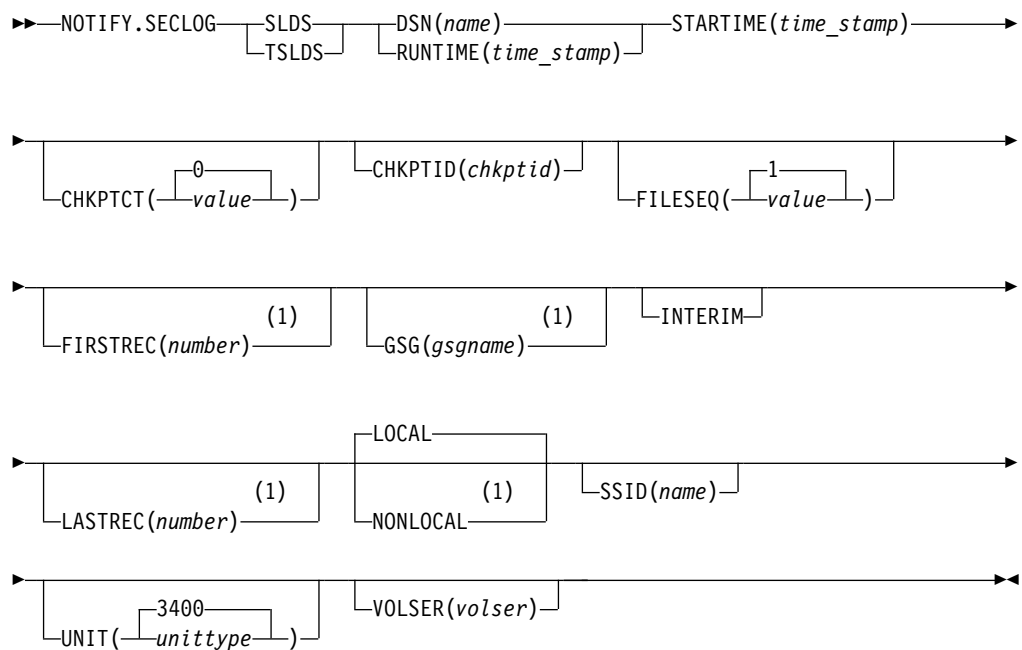
The RECON data set must already contain a primary log data set record with the same SSID and STARTIME. This is information that could not be added from the log data exists of the IMS system. This command is not normally required.

This command adds or completes a data set entry in the Primary or Secondary Log record. If you are modifying an existing completed data set entry, use the CHANGE.SECLOG command (for SLDS) or the CHANGE.SECLOG (for TSLDS) command.

Subsections:

- "Syntax"
- "Keywords"
- "Example of adding secondary SLDS information to the RECON data set" on page 412

## Syntax



### Notes:

- 1 This keyword is not applicable for a NOTIFY.SECLOG TSLDS command.

## Keywords

### SLDS

Required keyword that specifies that an SLDS record will be created or updated.

**Note:** Failure to specify either the SLDS or TSLDS keyword results in an attempt to create or update an RLDS record.

### TSLDS

Required keyword that specifies that a TSLDS record will be created or updated.

**Note:** Failure to specify either the SLDS or TSLDS keyword results in an attempt to create or update an RLDS record.

**DSN**(*name*) | **RUNTIME**(*time\_stamp*)

Mutually exclusive, required keywords.

**DSN**

Specifies the data set name of the secondary SLDS or TSLDS for which a system log record is being created in the RECON data set.

**RUNTIME**

Specifies the time stamp of an open, close, or EOVS operation of the specified secondary SLDS. The time stamp must be in standard form.

DSN and RUNTIME are used in conjunction with the STARTIME and VOLSER keywords to identify which type of secondary system log data set entry is to be added to the RECON data set. The following table indicates the keyword combinations that correspond to the type of secondary system log data set entry.

Table 20. Keywords of NOTIFY.SECLOG (for SLDS or TSLDS) command for open, EOVS, and close

Type of system log entry	Required keywords
SLDS Open	STARTIME, DSN, VOLSER
SLDS EOVS	STARTIME, VOLSER, RUNTIME
SLDS Close	STARTIME, RUNTIME

For each secondary SLDS or TSLDS, you must issue a separate NOTIFY.SECLOG command for open, zero or more ends-of-volume, and close processing.

**STARTIME**(*time\_stamp*)

Required keyword that you use to specify the starting time of a secondary SLDS or TSLDS. The time stamp must be in standard form. For a description of the use of the STARTIME keyword with other keywords in the NOTIFY.SECLOG command, see Table 20.

**CHKPTCT**(**0** | *value*)

Optional keyword that you use to change the number of checkpoints completed on the SLDS or TSLDS volumes.

The valid values for CHKPTCT are:

- 0** No checkpoints in the SLDS or TSLDS volume
- 1** A single checkpoint in the SLDS or TSLDS volume
- 2** More than one checkpoint in the SLDS or TSLDS volume

IMS uses the value of CHKPTCT to determine which logs are necessary to recover a Fast Path area with concurrent image copy.

**CHKPTID**(*chkptid*)

Optional keyword that you use to specify the oldest checkpoint ID for an active PST on an SLDS or TSLDS volume. The checkpoint ID must be in standard form for a time stamp.

**FILESEQ**(**1** | *value*)

Optional keyword that you use to specify the file sequence number of the secondary SLDS or TSLDS that is identified. You specify this keyword only if you specify the VOLSER keyword.

**FIRSTREC**(*number*)

Optional keyword that you use to specify the log record sequence number of

the first log record of the SLDS. For the first SLDS of the SECSLD , FIRSTREC corresponds to the first log record that was written during initialization of the IMS subsystem. This keyword is not applicable for a NOTIFY.SECLOG TSLDS command.

FIRSTREC is required if DSN is specified and is invalid if RUNTIME is specified.

The log record sequence number can be one of the following:

- A hexadecimal number

This number is 1 to 16 characters, enclosed in single quotation marks and preceded by the letter, X. For example: FIRSTREC(X'10B9C').

- A decimal number

This number is a decimal number from 0 to (2\*\*64)-1, without delimiters. For example: FIRSTREC(68508).

In either case, leading zeros can be omitted.

#### **GSG**(*gsgname*)

Optional keyword that you use to specify the GSG name of the IMS subsystem that produced the SLDS. This keyword is not applicable for a NOTIFY.SECLOG TSLDS command.

GSG is required if NONLOCAL is specified.

#### **INTERIM**

Optional keyword that you use to specify that an interim log data set record is to be created.

#### **LASTREC**(*number*)

Optional keyword that you use to specify the log record sequence number of the last log record of the SLDS. This keyword is not applicable for a NOTIFY.SECLOG TSLDS command.

LASTREC is required if RUNTIME is specified and VOLSER is not specified (that is, on a close call). LASTREC is invalid if DSN is specified.

The log record sequence number can be one of the following:

- A hexadecimal number

This number is 1 to 16 characters, enclosed in single quotation marks and preceded by the letter, X. For example: LASTREC(X'10B9C').

- A decimal number

This number is a decimal number from 0 to (2\*\*64)-1, without delimiters. For example: LASTREC(68508).

In either case, leading zeros can be omitted.

#### **LOCAL | NONLOCAL**

Mutually exclusive, optional keywords that you use to specify where the SLDS data was originally created. LOCAL is used if the SLDS was created by an active IMS subsystem of the local service group. NONLOCAL is used if the SLDS was originally created by an active IMS subsystem of the non-local service group and transported to the tracking site. This keyword is not applicable for a NOTIFY.SECLOG TSLDS command.

LOCAL or NONLOCAL need only be specified when creating the SECSLD record. The LOCAL and NONLOCAL keywords are ignored on subsequent NOTIFY.SECLOG invocations for the SECSLD record.

If NONLOCAL is specified, none of the keywords CHKPTID, FILESEQ, UNIT, or VOLSER can be specified (the data sets must be cataloged) on any NOTIFY.SECLG invocation for the SECSLD record.

#### **SSID**(*name*)

Optional keyword that you use to specify the name of the IMS subsystem that created the log data set.

The SSID is an eight-character alphanumeric string that represents a valid IMS subsystem identification name. If you do not specify SSID, DBRC uses the default subsystem identifier in the RECON header record. You use the INIT.RECON or CHANGE.RECON command to set the default subsystem identifier in the RECON header record. If you have not specified a default in the RECON header record, you must specify SSID.

#### **UNIT**(3400 | *unittype*)

Optional keyword that you use to specify the unit type of the volumes on which the secondary SLDSs reside. You only specify the UNIT keyword if you specify the DSN keyword. The unit type can be up to 8 alphanumeric characters.

#### **VOLSER**(*volser*)

Optional keyword that you use to specify the volume serial number of the system log volume that is being recorded for the identified secondary SLDS. For an EOVS notification, this volume serial number is that of the volume being started. Table 20 on page 410 identifies when you use the VOLSER keyword.

### **Example of adding secondary SLDS information to the RECON data set**

In this example, information about a secondary SLDS is to be added to the RECON data set. The STARTIME keyword identifies the secondary SLDS by its opening time stamp. The VOLSER and DSN keywords indicate that the information to be added relates to the opening of the secondary SLDS. The first RUNTIME keyword specifies the time stamp of the EOVS of the secondary SLDS or TSLDS. The second RUNTIME keyword specifies the time stamp of the closing of the secondary SLDS or TSLDS.

```
//NFYSECLG JOB
:
//SYSIN DD *
NOTIFY.SECLG SLDS STARTIME(07067020101023456) -
              SSID(IMSC) DSN(DSN006) VOLSER(VOL009)
NOTIFY.SECLG SLDS STARTIME(07067020101023456) -
              RUNTIME(070680204500) VOLSER(VOL003)
NOTIFY.SECLG SLDS STARTIME(07067020101023456) -
              RUNTIME(070682030000)
/*
```

#### **Related reference:**

“DBRC time stamps” on page 52

“NOTIFY.PRILOG command (for RLDS)” on page 383

---

## **NOTIFY.SUBSYS command**

Use the NOTIFY.SUBSYS command to create a subsystem entry in the RECON data set.

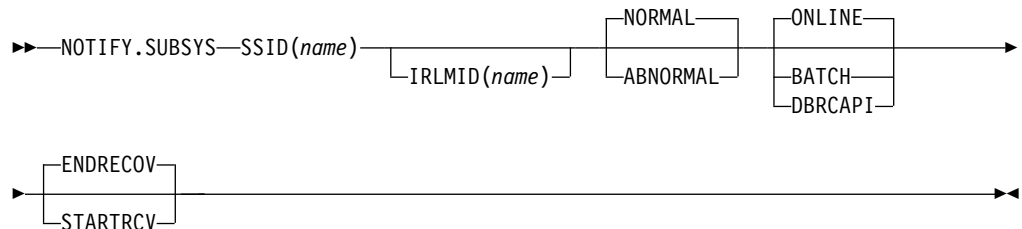
A check is made to ensure that a subsystem entry for the specified subsystem does not exist in the RECON data set. This command is not normally required.



Subsections:

- “Syntax”
- “Keywords”
- “Example of adding a new subsystem record to the RECON data set” on page 414

## Syntax



## Keywords

### SSID(*name*)

Required keyword you use to specify the name of the subsystem for which information is to be added. The SSID is an eight-character alphanumeric string that represents a valid z/OS and IMS subsystem identification name.

### IRLMID(*name*)

Optional keyword you use to specify the name of the IRLM with which the subsystem is communicating. The IRLMID is a five-character alphanumeric string.

If IRLMID is not specified, the subsystem is not using an IRLM.

Note: The BACKIRLM keyword is not a valid keyword for the NOTIFY.SUBSYS command.

### NORMAL | ABNORMAL

Mutually exclusive, optional keywords you use to specify the status of the subsystem.

#### **NORMAL**

Specifies that the previous run of the subsystem ended normally and that the subsystem is to continue normal processing.

#### **ABNORMAL**

Specifies that the previous run of the subsystem ended abnormally and recovery processing is required.

### ONLINE | BATCH | DBRCAPI

Mutually exclusive, optional keywords you use to specify the type of subsystem from which notification is made.

#### **ONLINE**

Specifies that notification is made from an online subsystem.

#### **BATCH**

Specifies that notification is made from a batch subsystem.

#### **DBRCAPI**

Specifies that notification is made from a DBRC API application. IRLMID, NORMAL, ABNORMAL, ENDRECOV and STARTRCV are all not allowed when DBRCAPI is specified.

## **ENDRECOV | STARTRCV**

Mutually exclusive, optional keywords you use to specify the sign-on state of the subsystem.

### **ENDRECOV**

Specifies that the subsystem has signed on normally or that a sign-on recovery-complete call was successful.

### **STARTRCV**

Specifies that the subsystem has signed on for recovery-start processing.

## **Example of adding a new subsystem record to the RECON data set**

In this example, a new subsystem record identified by the SSID keyword is added to the RECON data set. In addition, the subsystem record is marked as online.

```
//NOTIFYSS JOB
:
//SYSIN DD *
NOTIFY.SUBSYS SSID(IMS34) ONLINE
/*
```

---

## **NOTIFY.UIC command**

Use the NOTIFY.UIC command to add information to the RECON data set about a nonstandard image copy data set related to the DBDS or DEDB area that is identified in the command.

A nonstandard image copy data set is one that was not created by the supported image copy utility such as, one created through a tape dump of the DASD volume that contains the identified DBDS or DEDB area. Using the NOTIFY.UIC command is the only way you can record in the RECON data set the existence of nonstandard image copy data sets.

You cannot issue this command for a DBDS defined with the REUSE attribute.

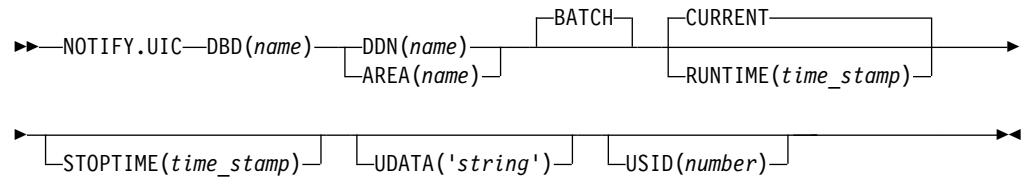
### **Restrictions:**

- A nonstandard image copy data set cannot be used as input to the Database Recovery utility. For more information, see Database Recovery utility (DFSURDB0).
- This command is not allowed for ILDS or Index DBDSs of HALDB partitions.
- The NOTIFY.UIC command will fail if it is attempting to record an image copy of a HALDB that has an online reorganization in progress. This is because an image copy of a HALDB cannot be taken while the HALDB is being reorganized online and the reorganization has not completed (either it is in progress or was terminated).

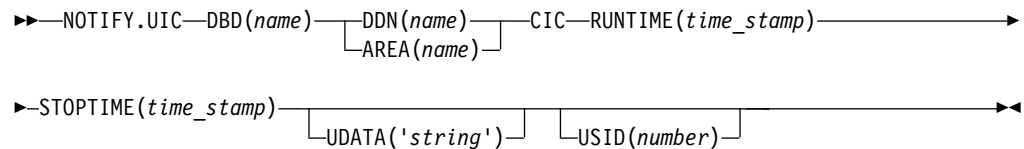
### **Subsections:**

- “Syntax” on page 415
- “Keywords” on page 415
- “Examples of adding nonstandard ICDSN information to the RECON data set” on page 416

## Syntax



Or



## Keywords

### **BATCH** | **CIC**

Mutually exclusive, optional parameters you use to indicate whether an image copy created by means other than the IMS image copy utilities is a clean image copy or whether it is a concurrent image copy.

#### **BATCH**

Indicates that an image copy created by means other than the IMS image copy utilities is a clean image copy.

#### **CIC**

Indicates that an image copy created by means other than the IMS image copy utilities is a concurrent image copy. If you specify CIC, you must also specify the RUNTIME and STOPTIME keyword. The CIC keyword cannot be used with VSAM KSDS databases.

### **DBD**(*name*)

Required keyword you use to specify the database name of the DBDS or DEDB area for which the nonstandard image copy data set was created.

**Restriction for HALDB databases:** When using the NOTIFY.UIC command for HALDB databases, *name* must specify the name of a HALDB partition.

### **DDN**(*name*) | **AREA**(*name*)

Mutually exclusive, required keywords you use to identify, by its name, the DBDS or DEDB area for which the nonstandard image copy data set was created.

### **CURRENT** | **RUNTIME**(*time\_stamp*)

Mutually exclusive, optional keywords you use to specify the time stamp of the creation of the nonstandard image copy data set.

#### **CURRENT**

Specifies that the current time stamp is to be used as the time stamp of the creation of the specified image copy data set. You can create the nonstandard image copy data set and record its creation in the RECON data set as separate steps of a single job if you specify CURRENT.

CURRENT is applicable only to NOTIFY.UIC BATCH commands.

**RUNTIME**

Specifies the actual time stamp of the creation of the identified nonstandard image copy data set. The time stamp must be in standard form.

**STOPTIME(*time\_stamp*)**

Specifies the stop time of a concurrent image copy. If you specify CIC, you must also specify this keyword. The time stamp must be in standard form. If CIC is not specified, STOPTIME will be ignored.

**UDATA('string')**

Optional keyword you use to specify up to 80 bytes of information about the identified, nonstandard image copy data set. You can use the variable field of this keyword to describe how the nonstandard image copy data set was created. The *string* value must be enclosed in single quotation marks if blanks or any other special characters are included.

**USID(*number*)**

Optional keyword you use to specify the value of the update set identifier of the database or area when the image copy data set was created.

USID is required if the database or area is assigned to a GSG.

**Examples of adding nonstandard ICDSN information to the RECON data set**

In this example, information about a nonstandard image copy data set is to be added to the RECON data set. The RUNTIME keyword specifies the time stamp of the creation of the nonstandard image copy data set. The UDATA keyword specifies the user data to be recorded in the record in the RECON data set that is updated by this command.

```
//NFYUIC JOB
:
//SYSIN DD *
    NOTIFY.UIC DBD(DB1) DDN(DD1) -
        RUNTIME(070670201010) -
        UDATA('DUMP OF VOLUME VOL001 AT 070670201010')
/*
```

In this example, information about a nonstandard concurrent image copy data set is added to the RECON data set.

```
//NFYUIC JOB

//SYSIN DD *
    NOTIFY.UIC CIC -
    DBD(DB1) DDN(DD1) -
    RUNTIME(070670201010) -
    STOPTIME(070670203115) -
    UDATA('CIC DUMP OF VOLUME VOL001 AT 20201010')
/*
```

**Related reference:**

“DBRC time stamps” on page 52

---

## Chapter 17. RESET.GSG command

Use the RESET.GSG command after an unplanned RSR takeover to remove obsolete recovery information about RSR-covered databases and areas from the original active site RECON data sets.

Subsections:

- “Syntax”
- “Keywords”
- “Usage notes”
- “Example” on page 418

### Syntax

```
▶▶—RESET.GSG—GSGNAME(gsgname)—

|        |
|--------|
| BOTH   |
| RECON1 |
| RECON2 |

————▶▶
```

### Keywords

#### **GSGNAME**(*gsgname*)

Required keyword you use to specify the GSGNAME.

#### **BOTH | RECON1 | RECON2**

Mutually exclusive, required keyword you use to specify which copy of the RECON to use. These keywords are ignored if the RECON access mode is parallel.

#### **BOTH**

Indicates that the RECON data set is to be copied to the data sets specified by the BACKUP1 and BACKUP2 DD statements.

#### **RECON1**

Indicates that the RECON data set is to be copied to the data set specified by the BACKUP1 DD statement.

#### **RECON2**

Indicates that the RECON data set is to be copied to the data set specified by the BACKUP2 DD statement.

### Usage notes

Use a RESET.GSG command after an unplanned RSR takeover to remove obsolete recovery information about RSR-covered databases from the original active site RECON. For each database or area that is assigned to the specified global service group (GSG), all IC, UIC, ALLOC, RECOV, and REORG records are deleted. In addition, all subsystem records of the GSG and related database authorization information along with all OLDS, RLDS, or SLDS records are deleted. Affected CA records are cleaned up, made available, or deleted as needed.

When serial RECON access is turned on, before deleting the obsolete information a backup copy of the RECON data set is created (RESET.GSG issues an internal BACKUP.RECON command). BACKUP.RECON invokes the z/OS AMS REPRO

command, with its normal defaults, in order to create the backup copy. Any restrictions applicable to the normal use of the REPRO command apply also to this command.

**Note:** If your RECON RECORDSIZE is greater than 32K that IDCAMS REPRO can handle the RECORDSIZE as long as the output data set is not a sequential file (such as a tape file). Keeping the RECON data sets on DASD works well.

If any failure occurs while the RESET.GSG command is processing and serial RECON access is turned on, but after the backup copy has been created (as indicated by the REPRO Completion message), use the following procedure:

1. Correct the condition that caused the failure.
2. Restore the RECON from the backup data set.
3. Delete and re-allocate the backup data set.
4. Reissue the RESET.GSG command.

If RESET.GSG fails before the backup copy is complete, follow the same procedure, omitting the step.

When a RESET.GSG command is issued and parallel RECON access is turned on, DBRC quiesces the RECON processes to prevent other DBRC instances from accessing the RECON data set until the command has completed. A backup copy of the RECON data set is not created. If the command fails, any updates that were made are automatically backed out.

## Example

In the example, the RECON data set is copied to the BACKUP1 data set, and then the obsolete information is deleted.

```
//          JOB
:
//BACKUP1 DD  . . .
//SYSIN DD *
RESET.GSG GSGNAME(IMGSG1) RECON1
/*
```

---

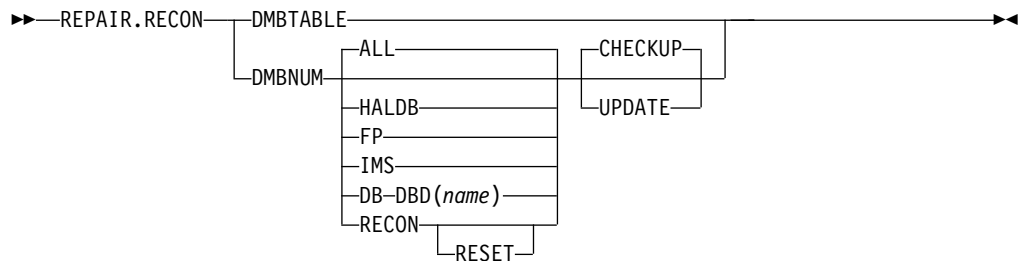
## Chapter 18. REPAIR.RECON command

Use the REPAIR.RECON command to rebuild a corrupted or missing DMB Table record or to check for and correct inconsistencies in the data management block (DMB) numbers of the RECON data set.

Subsections:

- “Syntax”
- “Keywords”
- “Usage notes” on page 420
- “Example of checking for inconsistencies in the DMB number representation” on page 421

### Syntax



### Keywords

The following keywords are valid for the REPAIR.RECON command:

**DMBTABLE | DMBNUM**

#### **DMBTABLE**

Rebuilds the DMB Table record in the RECON data set. If the DMB Table record is missing, it is created. The DMB Table record indicates which data management block (DMB) numbers are assigned to existing databases. All database records are read during the rebuild process. Any inconsistencies that are found with the DMB numbers are reported, and they are corrected if the database or area is unauthorized.

#### **DMBNUM**

Checks for or corrects inconsistencies in the internal representation of the DMB number in various records in the RECON data set. You can specify all types of database records, certain types of database records, a specific database record, or the RECON header.

**ALL | HALDB | FP | IMS | DB DBD(name) | RECON RESET**

#### **ALL**

Process all types of database records. **ALL** is the default.

#### **HALDB**

Process all HALDB database records.

#### **FP**

Process all Fast Path database and area records.

|  
| **IMS**

| Process all IMS database records, except HALDB database records.

| **DB** Process a specific database record.

| **DBD**(*name*)

| When you specify **DB**, a required keyword that you use to  
| indicate the HALDB, Fast Path DEDB, or IMS database to  
| process.

| **RECON**

| Process only the RECON header.

| **RESET**

| When you specify **RECON**, an optional keyword that you  
| specify to reset the DMB# and LAST USED DMB# fields in the  
| RECON header.

| When a RECON DMB Table record exists, both of these fields  
| are reset to 32,767. The RECON DMB Table record is used to  
| determine the next DMB number to be assigned when the next  
| database is registered. When a RECON DMB Table record does  
| not exist and no databases are registered, the values of the  
| fields are reset to the same values that are used when a  
| RECON data set is initialized.

| **CHECKUP | UPDATE**

| Check or correct the DMB numbers.

| **CHECKUP**

| Check the DMB numbers for inconsistencies. Any inconsistencies  
| that are found are reported. **CHECKUP** is the default.

| **UPDATE**

| Correct any inconsistencies in the DMB numbers. Any  
| inconsistencies that are found are reported, and they are fixed if  
| the database or area is unauthorized.

| **Usage notes**

| If an error is found when the command is run, the command continues processing  
| to report all of the errors. If the command completes with a return code of 12 or  
| above, no records are changed.

| If parallel RECON access is used, RECON activity for all DBRC instances is  
| quiesced for the following commands:

- |
- REPAIR.RECON DMBTABLE
  - REPAIR.RECON DMBNUM ALL | HALDB | FP | IMS
- |

| A check for the existence of retained locks that are related to the Copy1 and Copy2  
| of the RECON data sets is completed before the REPAIR.RECON command is  
| invoked. If any retained locks exist, the command fails and a message is issued.

| In parallel RECON access mode, any retained locks that exist for the RECON data  
| sets must be resolved. Ensure that the SMS server (SMSVSAM) is active and  
| Transactional VSAM (TVS) is active on all processors and resubmit the command.

| **Recommendations:**



- Issue the REPAIR.RECON command on a backup copy of the RECON data set to determine the impact that the command will have on the availability of the RECON data set. Then, issue the command when access to the actual RECON data set would be minimal.
- Issue the REPAIR.RECON DMBTABLE command only if a problem has been identified and, typically, at the direction of IBM Software Support.
- Issue the REPAIR.RECON DMBNUM CHECKUP command to assess if any DMB numbers in the RECON data set are inconsistent before issuing REPAIR.RECON DBNUM UPDATE command to correct the inconsistencies.
- Issue the REPAIR.RECON DMBNUM CHECKUP command after the RECON data sets have been upgraded to the latest version of IMS to verify that all of the DMB number representations for the various records in the RECON data set are valid. If inconsistencies are found, issue the REPAIR.RECON DMBNUM UPDATE to correct the inconsistencies.

Schedule the REPAIR.RECON DMBNUM CHECKUP to run once a year.

### Example of checking for inconsistencies in the DMB number representation

In this example, the data management block (DMB) number representation in the RECON header, database, and Fast Path area records are checked for inconsistencies for all databases.

```
//REPAIRRE JOB
//JOB LIB DD DSN=xxxxx
//R1 EXEC PGM=DSPURX00
:
//SYSIN DD *
REPAIR.RECON DMBNUM ALL CHECKUP
/*
```

### Example of correcting inconsistencies in the DMB number representation

In this example, any inconsistencies in the data management block (DMB) number representation in the RECON header, database, and Fast Path area records are changed to be consistent.

```
//REPAIRRE JOB
//JOB LIB DD DSN=xxxxx
//R1 EXEC PGM=DSPURX00
:
//SYSIN DD *
REPAIR.RECON DMBNUM ALL UPDATE
/*
```



---

## Chapter 19. Sample listings from the RECON data set

The sample listings from the RECON data set show the format and content of various records from an example RECON data set, as they are listed by LIST.RECON commands.

---

### Sample listing of LIST.DB command output

Use the LIST.DB command to receive a list of databases that are registered in the RECON data set. You can produce a RECON listing by using the LIST.DB command from either an active or a remote site.

#### HALDB example of LIST.DB command output

The following is an example of LIST.DB command output. The **DSORG** field indicates that the maximum size of the OSAM PHDAM and PHIDAM data sets for the HALDB database is 8 GB.

```
DB
DBD=DBHD0K01                DMB#=3      CHANGE#=5      TYPE=HALDB
SHARE LEVEL=3                GSGNAME=IMSGSG1
DBRCVGRP=**NULL**
PSNAME=**NULL**  DBORG=PHDAM  DSORG=OSAM8G  CURRENT PARTITION ID=00004
FLAGS:                        COUNTERS:
  RECOVERABLE                =YES      PARTITIONS                =4
  ONLINE REORG CAPABLE       =YES      DATA SET GROUP MEMBERS   =1
                                           ALTER COUNT                =0
                                           ALTER COMPLETE COUNT      =0
```

#### Fast Path example of LIST.DB command output

The following is an example of LIST.DB command output that includes the **RANDOMIZER** field.

```
LIST.DB DBD(DEDBJ001)
```

```
-----
DB
DBD=DEDBJ001                DMB#=1      TYPE=FP
SHARE LEVEL=1                RANDOMIZER=RAND1
FLAGS:                        COUNTERS:
  PROHIBIT AUTHORIZATION=OFF  RECOVERY NEEDED COUNT    =0
  RECOVERABLE                =YES      IMAGE COPY NEEDED COUNT  =0
  FULLSEG DEFAULT            =NO      AUTHORIZED AREAS        =2
                                           EEQE COUNT                =0
                                           ALTER COUNT                =0
                                           ALTER COMPLETE COUNT      =0
-----
```

---

### Sample listing of LIST.HISTORY command output

Use the LIST.HISTORY command to produce a history of activity for DBDs or DEDB areas. You can produce a RECON listing by using the LIST.HISTORY command from either an active or a remote site.

Subsections:

- “Example of LIST.HISTORY command output” on page 424

- “Examples of the timeline summary output” on page 427

## Example of LIST.HISTORY command output

The following is an example of LIST.HISTORY command output that includes a timeline.

```

          IMS VERSION 14 RELEASE 1 DATA BASE RECOVERY CONTROL          PAGE 0001
    LIST.HISTORY DBD(DIVNTZ02) DDN(DBHVSAM1)
14.161 14:30:03.597676          LISTING OF RECON          PAGE 0002
-----
DB
DBD=DIVNTZ02          IRLMID=**NULL          DMB#=1          TYPE=IMS
SHARE LEVEL=3          GSGNAME=**NULL**          USID=0000000005
AUTHORIZED USID=0000000005 RECEIVE USID=0000000005 HARD USID=0000000005
RECEIVE NEEDED USID=0000000000
DBRCVGRP=**NULL**
FLAGS:
  BACKOUT NEEDED          =OFF          COUNTERS:
  READ ONLY          =OFF          RECOVERY NEEDED COUNT          =0
  PROHIBIT AUTHORIZATION=OFF          IMAGE COPY NEEDED COUNT          =0
  RECOVERABLE          =YES          AUTHORIZED SUBSYSTEMS          =0
                                     HELD AUTHORIZATION STATE=0
                                     EEQE COUNT          =0
  TRACKING SUSPENDED          =NO          RECEIVE REQUIRED COUNT          =0
  OFR REQUIRED          =NO
  REORG INTENT          =NO
  QUIESCE IN PROGRESS          =NO
  QUIESCE HELD          =NO
-----
DBDS
DSN=IMSTESTS.DIVNTZ02.FJXS01K          TYPE=IMS
DBD=DIVNTZ02 DDN=DBHVSAM1 DSID=001 DBORG=HISAM DSORG=VSAM
CAGRP=**NULL** GENMAX=2 IC AVAIL=0 IC USED=1 DSSN=00000004
NOREUSE RECOVPD=0
DEFLTJCL=**NULL** ICJCL=ICJCL OICJCL=OICJCL RECOVJCL=RECOVJCL
RECVJCL=ICRCVJCL
FLAGS:
  IC NEEDED          =OFF          COUNTERS:
  RECOV NEEDED          =OFF
  RECEIVE NEEDED          =OFF          EEQE COUNT          =0
-----
ALLOC
ALLOC =14.161 14:25:54.914362          * ALLOC LRID =0000000000000000
DSSN=0000000001 USID=0000000002 START = 14.161 14:24:49.955164
DEALLOC =14.161 14:26:06.540585          DEALLOC LRID =0000000000000000

IMAGE
RUN = 14.161 14:26:02.607625          * RECORD COUNT =183
STOP = 14.161 14:26:03.144979          ONLINE USID=0000000002

IC1
DSN=IMSVS.DIVNTZ02.DBHVSAM1.IC.IC142601          FILE SEQ=0001
UNIT=SYSDA          VOLS DEF=0001 VOLS USED=0001
          VOLSER=222222

ALLOC
14.161 14:30:03.597676          LISTING OF RECON          PAGE 0003
ALLOC =14.161 14:26:52.945805          * ALLOC LRID =0000000000000000
DSSN=0000000002 USID=0000000003 START = 14.161 14:24:49.955164
DEALLOC =14.161 14:27:03.579412          DEALLOC LRID =0000000000000000

```

ALLOC  
ALLOC =14.161 14:27:49.805649 \* ALLOC LRID =0000000000000000  
DSSN=0000000003 USID=0000000004 START = 14.161 14:25:20.214548  
DEALLOC =14.161 14:27:53.652033 DEALLOC LRID =0000000000000000

ALLOC  
ALLOC =14.161 14:28:39.581582 \* ALLOC LRID =0000000000000000  
DSSN=0000000004 USID=0000000005 START = 14.161 14:25:20.214548

DSP0181I NO CAGRP RECORD FOUND  
DSP0181I NO CA RECORD FOUND  
DSP0181I NO REORG RECORD FOUND  
DSP0181I NO RECOV RECORD FOUND  
14.161 14:30:03.597676 LISTING OF RECON PAGE 0004

-----  
PRILOG RECORD SIZE= 1104  
START = 14.161 14:24:49.955164 \* SSID=IMS1 VERSION=14.1  
STOP = 14.161 14:28:54.380160 #DSN=6  
GSGNAME=\*\*NULL\*\* NORMAL TERM  
FIRST RECORD ID= 0000000000000001 PRILOG TOKEN= 0  
EARLIEST CHECKPOINT = 14.161 14:24:50.285938

DSN=IMSVS.RLDSP.IMS1.D14161.T1424499.V00 UNIT=SYSDA  
START = 14.161 14:24:49.955164 FIRST DS LSN= 0000000000000001  
STOP = 14.161 14:26:06.595480 LAST DS LSN= 0000000000000610  
FILE SEQ=0001 #VOLUMES=0001

VOLSER=000000 STOPTIME = 14.161 14:26:06.595480  
CKPTCT=1 CHKPT ID = 14.161 14:24:50.285938  
LOCK SEQUENCE#= CD4924280A65

DSN=IMSVS.RLDSP.IMS1.D14161.T1426065.V00 UNIT=SYSDA  
START = 14.161 14:26:06.595480 FIRST DS LSN= 0000000000000611  
STOP = 14.161 14:26:57.154562 LAST DS LSN= 0000000000000A54  
FILE SEQ=0001 #VOLUMES=0001

VOLSER=000000 STOPTIME = 14.161 14:26:57.154562  
CKPTCT=1 CHKPT ID = 14.161 14:26:06.602312  
LOCK SEQUENCE#= CD492458483B

DSN=IMSVS.RLDSP.IMS1.D14161.T1426571.V00 UNIT=SYSDA  
START = 14.161 14:26:57.154562 FIRST DS LSN= 0000000000000A55  
STOP = 14.161 14:27:03.671738 LAST DS LSN= 0000000000000D98  
FILE SEQ=0001 #VOLUMES=0001

VOLSER=000000 STOPTIME = 14.161 14:27:03.671738  
CKPTCT=0 CHKPT ID = 14.161 14:26:06.602312  
LOCK SEQUENCE#= CD49245E6BB1

DSN=IMSVS.RLDSP.IMS1.D14161.T1427036.V00 UNIT=SYSDA  
START = 14.161 14:27:03.671738 FIRST DS LSN= 0000000000000D99  
STOP = 14.161 14:27:53.632844 LAST DS LSN= 0000000000000FA5  
FILE SEQ=0001 #VOLUMES=0001

VOLSER=000000 STOPTIME = 14.161 14:27:53.632844  
CKPTCT=1 CHKPT ID = 14.161 14:27:03.679752  
LOCK SEQUENCE#= CD49245E6BB1

DSN=IMSVS.RLDSP.IMS1.D14161.T1427536.V01 UNIT=SYSDA  
START = 14.161 14:27:53.632844 FIRST DS LSN= 0000000000000FA6  
STOP = 14.161 14:28:54.160143 LAST DS LSN= 0000000000001292  
14.161 14:30:03.597676 LISTING OF RECON PAGE 0005  
FILE SEQ=0001 #VOLUMES=0001

VOLSER=000000 STOPTIME = 14.161 14:28:54.160143

CKPTCT=2 CHKPT ID = 14.161 14:27:53.642813  
LOCK SEQUENCE#= CD4924C5E7C4

DSN=IMSVS.RLDSP.IMS1.D14161.T1427536.V02 UNIT=SYSDA  
START = 14.161 14:28:54.160143 FIRST DS LSN= 0000000000001293  
STOP = 14.161 14:28:54.380160 LAST DS LSN= 0000000000001398  
FILE SEQ=0001 #VOLUMES=0001

VOLSER=000000 STOPTIME = 14.161 14:28:54.380160  
CKPTCT=0 CHKPT ID = 14.161 14:28:54.150656  
LOCK SEQUENCE#= CD4924C5E7C4

-----  
14.161 14:30:03.597676 LISTING OF RECON PAGE 0006  
-----

PRILOG RECORD SIZE= 944  
START = 14.161 14:25:20.214548 \* SSID=IMS2 VERSION=14.1  
STOP = 14.161 14:29:08.132692 #DSN=5  
GSGNAME=\*\*NULL\*\* NORMAL TERM  
FIRST RECORD ID= 000000000000001 PRILOG TOKEN= 0  
EARLIEST CHECKPOINT = 14.161 14:25:20.560745

DSN=IMSVS.RLDSP.IMS2.D14161.T1425202.V00 UNIT=SYSDA  
START = 14.161 14:25:20.214548 FIRST DS LSN= 000000000000001  
STOP = 14.161 14:26:06.524428 LAST DS LSN= 00000000000001E8  
FILE SEQ=0001 #VOLUMES=0001

VOLSER=000000 STOPTIME = 14.161 14:26:06.524428  
CKPTCT=1 CHKPT ID = 14.161 14:25:20.560745  
LOCK SEQUENCE#= CD4923FC29E8

DSN=IMSVS.RLDSP.IMS2.D14161.T1426065.V00 UNIT=SYSDA  
START = 14.161 14:26:06.524428 FIRST DS LSN= 00000000000001EE  
STOP = 14.161 14:27:03.560925 LAST DS LSN= 000000000000040E  
FILE SEQ=0001 #VOLUMES=0001

VOLSER=000000 STOPTIME = 14.161 14:27:03.560925  
CKPTCT=1 CHKPT ID = 14.161 14:26:06.547410  
LOCK SEQUENCE#= CD4923FC29E8

DSN=IMSVS.RLDSP.IMS2.D14161.T1427035.V00 UNIT=SYSDA  
START = 14.161 14:27:03.560925 FIRST DS LSN= 000000000000040F  
STOP = 14.161 14:27:53.738160 LAST DS LSN= 00000000000007D3  
FILE SEQ=0001 #VOLUMES=0001

VOLSER=000000 STOPTIME = 14.161 14:27:53.738160  
CKPTCT=1 CHKPT ID = 14.161 14:27:03.571756  
LOCK SEQUENCE#= CD49248E2C25

DSN=IMSVS.RLDSP.IMS2.D14161.T1427537.V00 UNIT=SYSDA  
START = 14.161 14:27:53.738160 FIRST DS LSN= 00000000000007D4  
STOP = 14.161 14:28:39.721764 LAST DS LSN= 0000000000000C06  
FILE SEQ=0001 #VOLUMES=0001

VOLSER=000000 STOPTIME = 14.161 14:28:39.721764  
CKPTCT=1 CHKPT ID = 14.161 14:27:53.740600  
LOCK SEQUENCE#= CD4924BA18E6

DSN=IMSVS.RLDSP.IMS2.D14161.T1428397.V01 UNIT=SYSDA  
START = 14.161 14:28:39.721764 FIRST DS LSN= 0000000000000C07  
STOP = 14.161 14:29:08.132692 LAST DS LSN= 0000000000000FA9  
FILE SEQ=0001 #VOLUMES=0001

VOLSER=000000 STOPTIME = 14.161 14:29:08.132692  
CKPTCT=1 CHKPT ID = 14.161 14:29:07.961686  
LOCK SEQUENCE#= CD4924D31CC2

## Examples of the timeline summary output

The following are examples of the timeline summary output, which is included in LIST.HISTORY command output.

### Example 1: Concurrent events and database quiesce deallocation event

This example shows the timeline summary output for an IMS database. The output includes concurrent events and a deallocation event created by a database quiesce command:

```

14.161 14:30:03.597676          LISTING OF RECON          PAGE 0007
+-----+-----+-----+-----+
| Timeline for DBDS: DIVNTZ02 DBHVSAM1                               |
|           USID=00000005   AUTHORIZED=00000005                   |
|         RECEIVE=00000000   HARD=00000005                       |
+-----+-----+-----+-----+
| -Time-----+Events-----+-----+-----+
|             | IC          |      | US | Subsystem |
|             | REORG      |      | ID| Logs and Allocs |
|             | RECOV     | CA  |   |           |
+-----+-----+-----+-----+
14.161 14:24:49.955164          |             |      |   |           |
14.161 14:25:20.214548          |             |      |   |           |
14.161 14:25:54.914362          |             |      |   |           |
14.161 14:26:02.607625          |             |      |   |           |
14.161 14:26:03.144979          |             |      |   |           |
14.161 14:26:06.524428          |             |      |   |           |
14.161 14:26:06.540585          |             |      |   |           |
14.161 14:26:06.595480          |             |      |   |           |
14.161 14:26:52.945805          |             |      |   |           |
14.161 14:26:57.154562          |             |      |   |           |
14.161 14:27:03.560925          |             |      |   |           |
14.161 14:27:03.579412          |             |      |   |           |
14.161 14:27:03.671738          |             |      |   |           |
14.161 14:27:49.805649          |             |      |   |           |
14.161 14:27:53.632844          |             |      |   |           |
14.161 14:27:53.652033          |             |      |   |           |
14.161 14:27:53.738160          |             |      |   |           |
14.161 14:28:39.581582          |             |      |   |           |
14.161 14:28:39.721764          |             |      |   |           |
14.161 14:28:54.160143          |             |      |   |           |
14.161 14:28:54.380160          |             |      |   |           |
14.161 14:29:08.132692          |             |      |   |           |
+-----+-----+-----+-----+
In the timeline, only the last digit of USID is shown.
      IC: B = Batch, U = UIC, O = OIC, C = CIC, s = Stop
      Logs: SSID = Open time, C = Log Close,
            v = Vol close, s = DS close
      Allocs: D = Dealloc time, A = Alloc time, DQ = Dealloc time with QUIESCE
+-----+-----+-----+-----+
DSP0180I  NUMBER OF RECORDS LISTED IS          9

```

**Explanation:** Time stamp entries for 13.068 14:25:18.612345 record the concurrent events when a deallocation and log switch occur at the same time. Time stamp entries for 13.068 14:26:11.012345 record the concurrent events when a log switch and allocation occur at the same time. Time stamp entry for 13.068 14:26:10.912345 reflects that the deallocation event was caused by a database quiesce command.

### Example 2: Reorganization number recorded in REORG event

This example shows the timeline summary output for a HALDB partition database. The output includes the reorganization number recorded for a HALDB online reorganization:

```

+-----+
| Timeline for DBDS: POHIDKD POHIDKDM |
|          USID=00000003 AUTHORIZED=00000003 |
|          RECEIVE=00000000 HARD=00000003 |
| ACTIVE DBDS=M-V OTHER DDN=POHIDKDA REORG#=00004 |
+-----+
| Time-----+ Events-----+-----+-----+
|          | IC      |      | US | Subsystem |
|          | REORG  |      | ID| Logs and Allocs |
|          | RECOV  | CA  |   |           |
+-----+

```

```

14.161 13:04:54.612345          IMS1
14.161 13:05:09.712345          s
14.161 13:06:07.412345          s
14.161 13:07:19.512345          s
14.161 13:07:22.312345          s
14.161 13:07:22.512345  Gly4          3  A
14.161 13:07:25.212345          s
14.161 13:07:26.412345          s
14.161 13:07:30.212345          s
14.161 13:08:40.412345          s
14.161 13:08:51.312345          s
14.161 13:08:55.812345          s
14.161 13:09:02.512345          s
14.161 13:09:08.212345          s
14.161 13:09:09.112345  s          |
14.161 13:09:20.412345          s
14.161 13:09:24.012345          s
14.161 13:09:33.012345          s

```

In the timeline, only the last digit of USID is shown.  
 REORG: G = REORG, GL = ONLINE REORG, GT = ALTER REORG  
 s = Stoptime if online reorg  
 y/n = Online reorg may be used as input to recovery  
 The last digit of the reorg# is shown if the reorg# is not zero  
 Logs: SSID = Open time, C = Log Close, v = Vol close, s = DS close  
 Allocs: D = Dealloc time, A = Alloc time, DQ = Dealloc time with QUIESCE

**Explanation:** The M-V DBDSs are the active data sets. POHIDKDA is the partner DBDS for this partition DBDS. The current reorganization number is set to 4. The timeline entry for 14.161 13:07:22.512345 lists the last digit of the new reorganization number assigned during the HALDB online reorganization.

*Example 3: Reorganization number set by time-stamp recovery in RECOV event*

This example shows the timeline summary outputs for a HALDB partition database. In the output, the reorganization number is set by time stamp recovery in the RECOV event:

```

14.161 10:05:29.712345 LISTING OF RECON PAGE 0049
+-----+
| Timeline for DBDS: POHIDKA POHIDKAA |
|          USID=00000005 AUTHORIZED=00000005 |
|          RECEIVE=00000000 HARD=00000005 |
| ACTIVE DBDS=A-J OTHER DDN=POHIDKAM REORG#=00005 |
+-----+
| Time-----+ Events-----+-----+-----+
|          | IC      |      | US | Subsystem |
|          | REORG  |      | ID| Logs and Allocs |
|          | RECOV  | CA  |   |           |
+-----+
14.161 13:04:54.612345          IMS1
14.161 13:05:09.712345          s
14.161 13:05:45.912345  B*          3  |

```





```

14.161 13:06:23.812345      s
14.161 13:06:25.112345      s
14.161 13:06:27.112345      s
14.161 13:06:28.412345      s
14.161 13:06:29.712345      s
14.161 13:06:31.112345      s
14.161 13:06:32.412345      s
14.161 13:06:56.912345      s
14.161 13:07:00.312345      s
14.161 13:07:19.512345      s
14.161 13:07:22.012345      GLy  4      5  A
14.161 13:07:22.312345      |      |      s
14.161 13:07:25.212345      |      |      s
14.161 13:09:20.412345      |      |      s
14.161 13:09:21.212345      s      |      |
14.161 13:09:24.012345      |      |      s
14.161 13:09:33.012345      |      |      s
14.161 14:09:30.012345      |      5  D
+-----+-----+-----+-----+

```

In the timeline, only the last digit of USID is shown.

REORG: G = REORG, GL = ONLINE REORG, GT = ALTER REORG  
s = Stoptime if online reorg  
y/n = Online reorg may be used as input  
to recovery  
The last digit of the reorg# is shown if the reorg# is not zero

Logs: SSID = Open time, C = Log Close,  
v = Vol close, s = DS close

Allocs: D = Dealloc time, A = Alloc time, DQ = Dealloc time with QUIESCE

**Explanation:** The A-J DBDSs are the active data sets. POHIDKAA is the partner DBDS for this partition DBDS. The current reorganization number is set to 5. This data set was the output data set used for the HALDB online reorganization at timeline entry 14.161 13:07:22:012345. It shows that the reorganization number was incremented to 4. The timeline summary for the partner DBDS shows that a time-stamp recovery occurred before the HALDB online reorganization and set the reorganization number to 5.

---

## Sample listing of a RECON data set at the active site

Sample RECON record listings are shown to demonstrate a RECON data set at an active site in an RSR environment.

Subsections:

- "RECON status record"
- "Log records" on page 431
- "GSG record" on page 438
- "SSYS record" on page 438
- "BACKOUT record" on page 439
- "CAGRP and CA records" on page 439
- "DBGRP, DBDSGRP, and RECOVGRP records" on page 440
- "DB (IMS) and related records" on page 440
- "DB (HALDB and PART) and related records" on page 442
- "DB (FP) and related records" on page 448

### RECON status record

This sample shows the RECON status records at an active site.

RECON  
 RECOVERY CONTROL DATA SET, IMS V14R1  
 DMB#=9 INIT TOKEN=14154F2320280F  
 NOFORCER LOG DSN CHECK=CHECK17 STARTNEW=NO  
 TAPE UNIT=3400 DASD UNIT=SYSDA TRACEOFF SSID=\*\*NULL\*\*  
 LIST DLOG=YES CA/IC/LOG DATA SETS CATALOGED=NO  
 MINIMUM VERSION = 12.1 CROSS DBRC SERVICE LEVEL ID= 00001  
 REORG NUMBER VERIFICATION=NO  
 LOG RETENTION PERIOD=00.000 00:15:00.0  
 COMMAND AUTH=NONE HLQ=\*\*NULL\*\*  
 RCNQUAL=\*\*NULL\*\*  
 CATALOG=\*\*NULL\*\*  
 ACCESS=SERIAL LIST=STATIC  
 SIZALERT DSNUM=15 VOLNUM=16 PERCENT= 95  
 LOGALERT DSNUM=3 VOLNUM=16

TIME STAMP INFORMATION:

TIMEZIN = %SYS -LABEL- -OFFSET-  
 PDT -07:00  
 PST -08:00

OUTPUT FORMAT: DEFAULT = LOCORG NONE PUNC YY  
 CURRENT = LOCORG NONE PUNC YY

IMSPLEX = \*\* NONE \*\* GROUP ID = \*\* NONE \*\*

-DDNAME-	-STATUS-	-DATA SET NAME-
RECON1	COPY1	IMSTESTL.IMS.RECON1
RECON2	COPY2	IMSTESTL.IMS.RECON2
RECON3	SPARE	IMSTESTL.IMS.RECON3

NUMBER OF REGISTERED DATABASES = 9

DSP0180I NUMBER OF RECORDS LISTED IS 1

### Log records

This sample shows the log records at an active site.

PRILOG RECORD SIZE= 464  
 START = 14.154 15:25:49.874359 \* SSID=SYS3 VERSION=14.1  
 STOP = 14.154 15:36:42.043064 #DSN=2  
 GSGNAME=IMSGSG1 NORMAL TERM  
 FIRST RECORD ID= 0000000000000001 PRILOG TOKEN= 1  
 EARLIEST CHECKPOINT = 14.154 15:25:50.379017

DSN=IMSVS.RLDSP.SYS3.D14154.T1525498.V00 UNIT=SYSDA  
 START = 14.154 15:25:49.874359 FIRST DS LSN= 0000000000000001  
 STOP = 14.154 15:33:16.972494 LAST DS LSN= 00000000000004D5  
 FILE SEQ=0001 #VOLUMES=0001

VOLSER=000000 STOPTIME = 14.154 15:33:16.972494  
 CKPTCT=1 CHKPT ID = 14.154 15:25:50.379017  
 LOCK SEQUENCE#= 000000000000

DSN=IMSVS.RLDSP.SYS3.D14154.T1533169.V00 UNIT=SYSDA  
 START = 14.154 15:33:16.972494 FIRST DS LSN= 00000000000004D6  
 STOP = 14.154 15:36:42.043064 LAST DS LSN= 00000000000008DE

FILE SEQ=0001 #VOLUMES=0001

VOLSER=000000 STOPTIME = 14.154 15:36:42.043064  
CKPTCT=2 CHKPT ID = 14.154 15:36:41.882168  
LOCK SEQUENCE#= 000000000000

LOGALL

START = 14.154 15:25:49.874359 \*  
EARLIEST ALLOC TIME = 14.154 15:29:23.362692  
DBDS ALLOC=11 -DBD- -DDN- -ALLOC-  
DEDBJN21 DB21AR1 1  
DEDBJN21 DB21AR2 1  
DEDBJN21 DB21AR3 1  
DEDBJN21 DB21AR4 1  
DEDBJN21 DB21AR5 1  
DEDBJN21 DB21AR6 1  
DEDBJN21 DB21AR7 1  
DEDBJN21 DB21AR8 1  
DEDBJN21 DB21AR9 1  
DEDBJN21 DB21AR10 1  
DEDBJN21 DB21AR11 1

14.154 15:11:32.803346 LISTING OF RECON PAGE 0003

-----  
PRISLD RECORD SIZE= 464  
START = 14.154 15:25:49.874359 \* SSID=SYS3 VERSION=14.1  
STOP = 14.154 15:36:42.043064 #DSN=2  
GSGNAME=IMSGSG1  
FIRST RECORD ID= 000000000000001 PRILOG TOKEN= 1  
DSN=IMSVS.SLDSP.SYS3.D14154.T1525498.V00 UNIT=SYSDA  
START = 14.154 15:25:49.874359 FIRST DS LSN= 000000000000001  
STOP = 14.154 15:33:16.972494 LAST DS LSN= 00000000000004D5  
FILE SEQ=0001 #VOLUMES=0001  
CHECKPOINT TYPES=80: SIMPLE=Y SNAPQ=N DUMPQ=N PURGE=N FREEZE=N

VOLSER=000000 STOPTIME = 14.154 15:33:16.972494  
CKPTCT=1 CHKPT ID = 14.154 15:25:50.379017  
LOCK SEQUENCE#= 000000000000

DSN=IMSVS.SLDSP.SYS3.D14154.T1533169.V00 UNIT=SYSDA  
START = 14.154 15:33:16.972494 FIRST DS LSN= 00000000000004D6  
STOP = 14.154 15:36:42.043064 LAST DS LSN= 00000000000008DE  
FILE SEQ=0001 #VOLUMES=0001  
CHECKPOINT TYPES=88: SIMPLE=Y SNAPQ=N DUMPQ=N PURGE=N FREEZE=Y

VOLSER=000000 STOPTIME = 14.154 15:36:42.043064  
CKPTCT=2 CHKPT ID = 14.154 15:36:41.882168  
LOCK SEQUENCE#= 000000000000

14.154 15:11:32.803346 LISTING OF RECON PAGE 0004

-----  
PRILOG RECORD SIZE= 744  
START = 14.154 15:37:47.711133 \* SSID=SYS3 VERSION=14.1  
STOP = 14.154 15:57:10.491848 #DSN=4  
GSGNAME=IMSGSG1 NORMAL TERM  
FIRST RECORD ID= 000000000000001 PRILOG TOKEN= 2  
EARLIEST CHECKPOINT = 14.154 15:41:22.526142

DSN=\*\*\*\* COMPRESSED DATA SET \*\*\*\* UNIT=  
START = 14.154 15:37:47.711133 FIRST DS LSN= 000000000000001  
STOP = 14.154 15:40:35.631273 LAST DS LSN= 00000000000004F8  
FILE SEQ=0000 #VOLUMES=0000

DSN=IMSVS.RLDSP.SYS3.D14154.T1540356.V01 UNIT=SYSDA  
START = 14.154 15:40:35.631273 FIRST DS LSN= 00000000000004F9  
STOP = 14.154 15:41:07.180514 LAST DS LSN= 000000000000079C  
FILE SEQ=0001 #VOLUMES=0001

VOLSER=000000 STOPTIME = 14.154 15:41:07.180514  
CKPTCT=1 CHKPT ID = 14.154 15:40:35.643798  
LOCK SEQUENCE#= 000000000000

DSN=IMSVS.RLDSP.SYS3.D14154.T1541071.V00 UNIT=SYSDA  
START = 14.154 15:41:07.180514 FIRST DS LSN= 000000000000079D  
STOP = 14.154 15:41:28.679626 LAST DS LSN= 0000000000000A01  
FILE SEQ=0001 #VOLUMES=0001

VOLSER=000000 STOPTIME = 14.154 15:41:28.679626  
CKPTCT=1 CHKPT ID = 14.154 15:41:22.526142  
LOCK SEQUENCE#= 000000000000

DSN=IMSVS.RLDSP.SYS3.D14154.T1541286.V01 UNIT=SYSDA  
START = 14.154 15:41:28.679626 FIRST DS LSN= 0000000000000A02  
STOP = 14.154 15:57:10.491848 LAST DS LSN= 0000000000000DF0  
FILE SEQ=0001 #VOLUMES=0001

VOLSER=000000 STOPTIME = 14.154 15:57:10.491848  
CKPTCT=2 CHKPT ID = 14.154 15:57:10.347432  
LOCK SEQUENCE#= 000000000000

LOGALL  
START = 14.154 15:37:47.711133 \*  
EARLIEST ALLOC TIME = 14.154 15:41:04.073628  
DBDS ALLOC=1 -DBD- -DDN- -ALLOC-  
DBVHDJ05 CJVHDG1E 1

14.154 15:11:32.803346 LISTING OF RECON PAGE 0005

-----  
PRISLD RECORD SIZE= 744  
START = 14.154 15:37:47.711133 \* SSID=SYS3 VERSION=14.1  
STOP = 14.154 15:57:10.491848 #DSN=4  
GSGNAME=IMSGSG1  
FIRST RECORD ID= 0000000000000001 PRILOG TOKEN= 2

DSN=\*\*\*\* COMPRESSED DATA SET \*\*\*\* UNIT=  
START = 14.154 15:37:47.711133 FIRST DS LSN= 0000000000000001  
STOP = 14.154 15:40:35.631273 LAST DS LSN= 00000000000004F8  
FILE SEQ=0000 #VOLUMES=0000  
CHECKPOINT TYPES=80: SIMPLE=Y SNAPQ=N DUMPQ=N PURGE=N FREEZE=N

DSN=IMSVS.SLDSP.SYS3.D14154.T1540356.V01 UNIT=SYSDA  
START = 14.154 15:40:35.631273 FIRST DS LSN= 00000000000004F9  
STOP = 14.154 15:41:07.180514 LAST DS LSN= 000000000000079C  
FILE SEQ=0001 #VOLUMES=0001  
CHECKPOINT TYPES=80: SIMPLE=Y SNAPQ=N DUMPQ=N PURGE=N FREEZE=N

VOLSER=000000 STOPTIME = 14.154 15:41:07.180514  
CKPTCT=1 CHKPT ID = 14.154 15:40:35.643798  
LOCK SEQUENCE#= 000000000000

DSN=IMSVS.SLDSP.SYS3.D14154.T1541071.V00 UNIT=SYSDA  
START = 14.154 15:41:07.180514 FIRST DS LSN= 000000000000079D  
STOP = 14.154 15:41:28.679626 LAST DS LSN= 0000000000000A01  
FILE SEQ=0001 #VOLUMES=0001  
CHECKPOINT TYPES=40: SIMPLE=N SNAPQ=Y DUMPQ=N PURGE=N FREEZE=N

VOLSER=000000 STOPTIME = 14.154 15:41:28.679626  
CKPTCT=1 CHKPT ID = 14.154 15:41:22.526142  
LOCK SEQUENCE#= 000000000000

DSN=IMSVS.SLDSP.SYS3.D14154.T1541286.V01 UNIT=SYSDA  
START = 14.154 15:41:28.679626 FIRST DS LSN= 0000000000000A02  
STOP = 14.154 15:57:10.491848 LAST DS LSN= 0000000000000DF0  
FILE SEQ=0001 #VOLUMES=0001  
CHECKPOINT TYPES=88: SIMPLE=Y SNAPQ=N DUMPQ=N PURGE=N FREEZE=Y

VOLSER=000000 STOPTIME = 14.154 15:57:10.491848  
CKPTCT=2 CHKPT ID = 14.154 15:57:10.347432  
LOCK SEQUENCE#= 000000000000

14.154 15:11:32.803346 LISTING OF RECON PAGE 0006

-----  
PRILOG RECORD SIZE= 304  
START = 14.154 15:57:24.075523 \* SSID=BATCH1 VERSION=14.1  
STOP = 14.154 15:57:24.670795 #DSN=1  
GSGNAME=IMSGSG1 NORMAL TERM  
FIRST RECORD ID= 0000000000000001 PRILOG TOKEN= 3  
  
DSN=BATCH1.UPDATEF.LOG UNIT=SYSDA  
START = 14.154 15:57:24.075523 FIRST DS LSN= 0000000000000001  
STOP = 14.154 15:57:24.670795 LAST DS LSN= 000000000000009D  
FILE SEQ=0001 #VOLUMES=0001

VOLSER=000000 STOPTIME = 14.154 15:57:24.670795  
CKPTCT=0 CHKPT ID = 00.000 00:00:00.000000  
LOCK SEQUENCE#= 000000000000

LOGALL  
START = 14.154 15:57:24.075523 \*  
EARLIEST ALLOC TIME = 14.154 15:57:24.467199  
DBDS ALLOC=3 -DBD- -DDN- -ALLOC-  
DHVNTZ02 HIDAM 1  
DXVNTZ02 XDLBT04I 1  
DIVNTZ02 DBHVSAM1 1

14.154 15:11:32.803346 LISTING OF RECON PAGE 0007

-----  
SECLOG RECORD SIZE= 304  
START = 14.154 15:57:24.075523 \* SSID=BATCH1 VERSION=14.1  
STOP = 14.154 15:57:24.670795 #DSN=1  
GSGNAME=IMSGSG1  
FIRST RECORD ID= 0000000000000001 PRILOG TOKEN= 3  
  
DSN=IMSTESTL.IMS01.OLDSP1 UNIT=SYSDA  
START = 14.154 15:57:24.075523 FIRST DS LSN= 0000000000000001  
STOP = 14.154 15:57:24.670795 LAST DS LSN= 000000000000009D  
FILE SEQ=0001 #VOLUMES=0001

VOLSER=USER03 STOPTIME = 14.154 15:57:24.670795  
CKPTCT=0 CHKPT ID = 00.000 00:00:00.000000  
LOCK SEQUENCE#= 000000000000

14.154 15:11:32.803346 LISTING OF RECON PAGE 0008

-----  
PRILOG RECORD SIZE= 304  
START = 14.154 15:57:29.244295 \* SSID=BATFPC VERSION=14.1  
STOP = 14.154 15:57:36.806959 #DSN=1  
GSGNAME=\*\*NULL\*\*  
FIRST RECORD ID= 0000000000000001 PRILOG TOKEN= 0  
  
DSN=IMSTESTM.BAT01.DBLOG1 UNIT=SYSDA  
START = 14.154 15:57:29.244295 FIRST DS LSN= 0000000000000001  
STOP = 14.154 15:57:36.806959 LAST DS LSN= 00000000000000E4  
FILE SEQ=0001 #VOLUMES=0001

VOLSER=222222 STOPTIME = 14.154 15:57:36.806959  
CKPTCT=0 CHKPT ID = 00.000 00:00:00.000000  
LOCK SEQUENCE#= 000000000000

LOGALL  
START = 14.154 15:57:29.244295 \*  
EARLIEST ALLOC TIME = 14.154 15:57:29.456150  
DBDS ALLOC=1 -DBD- -DDN- -ALLOC-  
DBOVLFP VLOSAM01 1

```

-----
PRILOG                                RECORD SIZE=    304
START = 14.154 15:57:43.740082      *  SSID=BATFPC  VERSION=14.1
STOP  = 14.154 15:57:44.055239      #DSN=1
GSGNAME=**NULL**                    BBO NORMAL TERM
FIRST RECORD ID= 0000000000000001   PRILOG TOKEN= 0

DSN=IMSTESTM.BBOFPC.BB1              UNIT=SYSDA
START = 14.154 15:57:43.740082      FIRST DS LSN= 0000000000000001
STOP  = 14.154 15:57:44.055239      LAST  DS LSN= 000000000000002E
FILE SEQ=0001  #VOLUMES=0001

VOLSER=333333 STOPTIME = 14.154 15:57:44.055239
CKPTCT=0  CHKPT ID = 00.000 00:00:00.000000
LOCK SEQUENCE#= 000000000000
    
```

```

LOGALL
START = 14.154 15:57:43.740082      *
EARLIEST ALLOC TIME = 14.154 15:57:43.985928
DBDS ALLOC=1                        -DBD-  -DDN-  -ALLOC-
                                      DBOVLFP  VLOSAM01  1
    
```

```

-----
PRILOG                                RECORD SIZE=    304
START = 14.154 15:58:39.382777      *  SSID=SYS3  VERSION=14.1
STOP  = 14.154 15:03:24.570040      #DSN=1
GSGNAME=IMSGSG1
FIRST RECORD ID= 0000000000000001   PRILOG TOKEN= 4
EARLIEST CHECKPOINT = 14.154 15:41:22.526142

DSN=IMSVS.RLDSP.SYS3.D14154.T1558393.V02  UNIT=SYSDA
START = 14.154 15:58:39.382777      FIRST DS LSN= 0000000000000001
STOP  = 14.154 15:03:24.570040      LAST  DS LSN= 000000000000034C
FILE SEQ=0001  #VOLUMES=0001

VOLSER=000000 STOPTIME = 14.154 15:03:24.570040
CKPTCT=1  CHKPT ID = 14.154 15:58:39.879555
LOCK SEQUENCE#= 000000000000
    
```

```

LOGALL
START = 14.154 15:58:39.382777      *
EARLIEST ALLOC TIME = 14.154 15:58:40.009295
DBDS ALLOC=7                        -DBD-  -DDN-  -ALLOC-
                                      DEBDD01  DD01ARO  1
                                      DHVNTZ02  HIDAM  1
                                      DXVNTZ02  XDLBT04I  1
                                      DIVNTZ02  DBHVSAM1  1
                                      DBOHIDK5  CKOHIG10  1
                                      DXVHIDK5  CKVHIIXK  1
                                      DBVHDJ05  CJVHDG1E  1
    
```

```

-----
PRISLD                                RECORD SIZE=    304
START = 14.154 15:58:39.382777      *  SSID=SYS3  VERSION=14.1
STOP  = 14.154 15:03:24.570040      #DSN=1
GSGNAME=IMSGSG1
FIRST RECORD ID= 0000000000000001   PRILOG TOKEN= 4

DSN=IMSVS.SLDSP.SYS3.D14154.T1558393.V02  UNIT=SYSDA
START = 14.154 15:58:39.382777      FIRST DS LSN= 0000000000000001
STOP  = 14.154 15:03:24.570040      LAST  DS LSN= 000000000000034C
FILE SEQ=0001  #VOLUMES=0001
CHECKPOINT TYPES=80: SIMPLE=Y SNAPQ=N DUMPQ=N PURGE=N FREEZE=N
    
```

```

VOLSER=000000 STOPTIME = 14.154 15:03:24.570040
CKPTCT=1  CHKPT ID = 14.154 15:58:39.879555
    
```

LOCK SEQUENCE#= 000000000000  
14.154 15:11:32.803346 LISTING OF RECON PAGE 0012

-----  
PRILOG RECORD SIZE= 304  
START = 14.154 15:03:24.596598 \* SSID=SYS3 VERSION=14.1  
STOP = 00.000 00:00:00.000000 #DSN=1  
GSGNAME=IMSGSG1  
FIRST RECORD ID= 0000000000002FB PRILOG TOKEN= 5  
EARLIEST CHECKPOINT = 14.154 15:03:25.486474  
  
DSN=IMSVS.RLDSP.SYS3.D14154.T1503245.V02 UNIT=SYSDA  
START = 14.154 15:03:24.596598 FIRST DS LSN= 00000000000034D  
STOP = 14.154 15:07:34.984516 LAST DS LSN= 0000000000005B9  
FILE SEQ=0001 #VOLUMES=0001  
  
VOLSER=000000 STOPTIME = 14.154 15:07:34.984516  
CKPTCT=2 CHKPT ID = 14.154 15:03:25.486474  
LOCK SEQUENCE#= 000000000000

LOGALL  
START = 14.154 15:03:24.596598 \*  
EARLIEST ALLOC TIME = 14.154 15:03:25.957287  
DBDS ALLOC=1 -DBD- -DDN- -ALLOC-  
DEDBDD01 DD01AR0 1

14.154 15:11:32.803346 LISTING OF RECON PAGE 0013

-----  
PRISLD RECORD SIZE= 304  
START = 14.154 15:03:24.596598 \* SSID=SYS3 VERSION=14.1  
STOP = 00.000 00:00:00.000000 #DSN=1  
GSGNAME=IMSGSG1  
FIRST RECORD ID= 00000000000034D PRILOG TOKEN= 5  
  
DSN=IMSVS.SLDSP.SYS3.D14154.T1503245.V02 UNIT=SYSDA  
START = 14.154 15:03:24.596598 FIRST DS LSN= 00000000000034D  
STOP = 14.154 15:07:34.984516 LAST DS LSN= 0000000000005B9  
FILE SEQ=0001 #VOLUMES=0001  
CHECKPOINT TYPES=C0: SIMPLE=Y SNAPQ=Y DUMPQ=N PURGE=N FREEZE=N  
  
VOLSER=000000 STOPTIME = 14.154 15:07:34.984516  
CKPTCT=2 CHKPT ID = 14.154 15:03:25.486474  
LOCK SEQUENCE#= 000000000000

14.154 15:11:32.803346 LISTING OF RECON PAGE 0014

-----  
PRILOG RECORD SIZE= 464  
START = 14.154 15:08:41.674123 \* SSID=IMS2 VERSION=14.1  
STOP = 14.154 15:11:10.025823 #DSN=2  
GSGNAME=IMSGSG1 NORMAL TERM  
FIRST RECORD ID= 000000000000001 PRILOG TOKEN= 6  
EARLIEST CHECKPOINT = 14.154 15:08:42.128180  
  
DSN=IMSVS.RLDSP.IMS2.D14154.T1508416.V00 UNIT=SYSDA  
START = 14.154 15:08:41.674123 FIRST DS LSN= 000000000000001  
STOP = 14.154 15:11:09.934688 LAST DS LSN= 0000000000002CA  
FILE SEQ=0001 #VOLUMES=0001  
  
VOLSER=000000 STOPTIME = 14.154 15:11:09.934688  
CKPTCT=2 CHKPT ID = 14.154 15:08:42.128180  
LOCK SEQUENCE#= 000000000000  
  
DSN=IMSVS.RLDSP.IMS2.D14154.T1508416.V01 UNIT=SYSDA  
START = 14.154 15:11:09.934688 FIRST DS LSN= 0000000000002CB  
STOP = 14.154 15:11:10.025823 LAST DS LSN= 0000000000003CE  
FILE SEQ=0001 #VOLUMES=0001  
  
VOLSER=000000 STOPTIME = 14.154 15:11:10.025823  
CKPTCT=0 CHKPT ID = 14.154 15:11:09.919851  
LOCK SEQUENCE#= 000000000000



LOGALL  
START = 14.154 15:08:41.674123 \*  
EARLIEST ALLOC TIME = 00.000 00:00:00.000000  
DBDS ALLOC=0

14.154 15:11:32.803346 LISTING OF RECON PAGE 0015

-----  
PRISLD RECORD SIZE= 464  
START = 14.154 15:08:41.674123 \* SSID=IMS2 VERSION=14.1  
STOP = 14.154 15:11:10.025823 #DSN=2  
GSGNAME=IMSGSG1  
FIRST RECORD ID= 0000000000000001 PRILOG TOKEN= 6  
  
DSN=IMSVS.SLDSP.IMS2.D14154.T1508416.V00 UNIT=SYSDA  
START = 14.154 15:08:41.674123 FIRST DS LSN= 0000000000000001  
STOP = 14.154 15:11:09.934688 LAST DS LSN= 0000000000002CA  
FILE SEQ=0001 #VOLUMES=0001  
CHECKPOINT TYPES=88: SIMPLE=Y SNAPQ=N DUMPQ=N PURGE=N FREEZE=Y  
  
VOLSER=000000 STOPTIME = 14.154 15:11:09.934688  
CKPTCT=2 CHKPT ID = 14.154 15:08:42.128180  
LOCK SEQUENCE#= 000000000000

DSN=IMSVS.SLDSP.IMS2.D14154.T1508416.V01 UNIT=SYSDA  
START = 14.154 15:11:09.934688 FIRST DS LSN= 0000000000002CB  
STOP = 14.154 15:11:10.025823 LAST DS LSN= 0000000000003CE  
FILE SEQ=0001 #VOLUMES=0001  
CHECKPOINT TYPES=00: SIMPLE=N SNAPQ=N DUMPQ=N PURGE=N FREEZE=N

VOLSER=000000 STOPTIME = 14.154 15:11:10.025823  
CKPTCT=0 CHKPT ID = 14.154 15:11:09.919851  
LOCK SEQUENCE#= 000000000000

14.154 15:11:32.803346 LISTING OF RECON PAGE 0016

-----  
PRIOLD  
SSID=IMS2 # DD ENTRIES=2  
EARLIEST CHECKPOINT = 14.154 15:08:42.128180  
  
DDNAME=DFSOLP00 DSN=IMSTESTL.IMS02.OLDSP0  
START = 14.154 15:08:41.674123 FIRST DS LSN= 0000000000000001  
STOP = 14.154 15:11:09.934688 LAST DS LSN= 0000000000002CA  
LOCK SEQUENCE# = 000000000000  
STATUS=ARC COMPLT FEOV=NO AVAIL  
PRILOG TIME=14.154 15:08:41.674123 ARCHIVE JOB NAME=JT151110  
VERSION=14.1

DDNAME=DFSOLP01 DSN=IMSTESTL.IMS02.OLDSP1  
START = 14.154 15:11:09.934688 FIRST DS LSN= 0000000000002CB  
STOP = 14.154 15:11:10.025823 LAST DS LSN= 0000000000003CE  
LOCK SEQUENCE# = 000000000000  
STATUS=ARC COMPLT FEOV=NO AVAIL  
PRILOG TIME=14.154 15:08:41.674123 ARCHIVE JOB NAME=JT151110  
VERSION=14.1

14.154 15:11:32.803346 LISTING OF RECON PAGE 0017

-----  
PRIOLD  
SSID=SYS3 # DD ENTRIES=4  
EARLIEST CHECKPOINT = 14.154 15:03:25.486474  
  
DDNAME=DFSOLP03 DSN=IMSTESTL.IMS01.OLDSP3  
START = 14.154 15:41:28.679626 FIRST DS LSN= 000000000000A02  
STOP = 14.154 15:57:10.491848 LAST DS LSN= 000000000000DF0  
LOCK SEQUENCE# = 000000000000  
STATUS=ARC COMPLT FEOV=NO AVAIL  
PRILOG TIME=14.154 15:37:47.711133 ARCHIVE JOB NAME=JT150324  
VERSION=14.1

```

DDNAME=DFSOLP00 DSN=IMSTESTL.IMS01.OLDSP0
START = 14.154 15:58:39.382777 FIRST DS LSN= 000000000000001
STOP = 14.154 15:03:24.570040 LAST DS LSN= 000000000000034C
LOCK SEQUENCE# = 000000000000
STATUS=ARC COMPLT FEOV=NO AVAIL
PRILOG TIME=14.154 15:58:39.382777 ARCHIVE JOB NAME=JT150324
VERSION=14.1

```

```

DDNAME=DFSOLP01 DSN=IMSTESTL.IMS01.OLDSP1
START = 14.154 15:03:24.596598 FIRST DS LSN= 000000000000034D
STOP = 14.154 15:07:34.984516 LAST DS LSN= 00000000000005B9
LOCK SEQUENCE# = 000000000000
STATUS=ARC COMPLT FEOV=NO AVAIL
PRILOG TIME=14.154 15:03:24.596598 ARCHIVE JOB NAME=JT150735
VERSION=14.1

```

```

DDNAME=DFSOLP02 DSN=IMSTESTL.IMS01.OLDSP2
START = 14.154 15:07:34.984516 FIRST DS LSN= 00000000000005BA
STOP = 00.000 00:00:00.000000 LAST DS LSN= 0000000000000000
LOCK SEQUENCE# = 000000000000
STATUS=ACTIVE FEOV=NO AVAIL
PRILOG TIME=14.154 15:03:24.596598
VERSION=14.1

```

```

DSP0260I NO INTERIM RLDS/SLDS RECORDS FOUND IN RECON
DSP0260I NO INT-ONLINE LOG RECORDS FOUND IN RECON
DSP0180I NUMBER OF RECORDS LISTED IS 24

```

## GSG record

This sample shows the GSG record at an active site.

```

LIST.GSG GSGNAME(IMGSG1)
14.154 15:11:34.184839 LISTING OF RECON PAGE 0002
-----

```

```

GSG
GSGNAME=IMGSG1 #SGS=2 -SNAME- -ROLE- LOCAL
STLSITE1 ACTIVE
STLSITE2 TRACKING
CURRENT PRILOG TOKEN = 6 TAKEOVER TOKEN = 0
MINIMUM PRILOG TOKEN = 1 DSN SEQ NUMBER = 0
START TIME OF CURRENT LOG = 14.154 15:08:41.674123
HIGHEST ACTIVE SITE TIME = 00.000 00:00:00.000000
TRACKING SUBSYSTEM ID = **NULL**
TAKEOVER IN PROGRESS
DSP0180I NUMBER OF RECORDS LISTED IS 1

```

## SSYS record

This sample shows the SSYS record at an active site.

```

14.154 15:11:26.599719 LISTING OF RECON PAGE 0020
-----

```

```

SSYS
SSID=SYS3 LOG START=14.154 15:03:24.596598
SSTYPE=ONLINE ABNORMAL TERM=OFF RECOVERY STARTED=NO BACKUP=NO
TRACKED=NO TRACKER TERM=OFF SHARING COVERED DBS=NO
IRLMID=**NULL** IRLM STATUS=NORMAL GSGNAME=IMGSG1
COEXISTENCE LEVEL=14.1

```

```

AUTHORIZED DATA BASES/AREAS=1 VERSION=14.1 XRF CAPABLE=NO
ENCODED
-DBD- -AREA- -LEVEL- -ACCESS INTENT- -STATE-
DEDBD01 DD01AR0 1 UPDATE 6

```

## BACKOUT record

This sample shows the BACKOUT record at an active site.

```
LIST.BKOUT
14.154 15:11:35.991568          LISTING OF RECON          PAGE 0002
```

```
-----
BACKOUT
SSID=SYS3          #UORS=2

RECOVERY TOKEN=E2E8E2F3404040400000000300000002
TIME=14.154 16:01:12.325196          PSB=PLVAPZ12
          INFLT  BMP  COLDEND
ASSOCIATED DATA BASES=3
```

	BACKED	DYN BKOUT
-DBD-	-OUT -	-FAILURE-
DHVNTZ02	NO	NO
DXVNTZ02	NO	NO
DIVNTZ02	NO	NO

```
RECOVERY TOKEN=E2E8E2F3404040400000000400000000
TIME=14.154 16:01:12.358307          PSB=PSBEJK05
          INFLT  BMP  COLDEND
ASSOCIATED DATA BASES=2
```

	BACKED	DYN BKOUT
-DBD-	-OUT -	-FAILURE-
DBOHIDK5	NO	NO
DXVHIDK5	NO	NO
DBVHDJ05	NO	NO

```
DSP0180I  NUMBER OF RECORDS LISTED IS          1
```

## CAGRP and CA records

This sample shows the CAGRP and CA records at an active site.

```
LIST.CAGRP GRPNAME(CAGRP1)
14.154 15:11:37.351834          LISTING OF RECON          PAGE 0002
```

```
-----
CAGRP
GRPNAME=CAGRP1  GRPMAX=3  CA AVAIL=0  CA USED=1
NOREUSE CAJCL=CAJCL          DEFLTJCL=**NULL**  RECOVPD=0
          #MEMBERS=4  -DBD-  -DDN-
          DEDBJN21  DB21AR1
          DEDBJN21  DB21AR3
          DEDBJN21  DB21AR6
          DEDBJN21  DB21AR7
```

```
-----
CA
DSN=IMSVS.CAGRP1.CA.CA001101          FILE SEQ=1
CAGRP=CAGRP1          STOP = 14.154 15:33:16.972494  *
          UNIT=SYSDA          VOLS DEF=1  VOLS USED=1
          VOLSER=222222
```

```
RUN = 14.154 15:11:15.468507
DBD=DEDBJN21 DDN=DB21AR1  PURGETIME = 14.154 15:29:23.362692
CHANGES ACCUMULATED=YES COMPLETE CA=YES INDOUBT EEQES=NO
LSN = 000000000000 DSSN = 0000000001
LRID = 00000000000047F USID = 0000000002
DBD=DEDBJN21 DDN=DB21AR3  PURGETIME = 14.154 15:29:23.643934
CHANGES ACCUMULATED=YES COMPLETE CA=YES INDOUBT EEQES=NO
LSN = 000000000000 DSSN = 0000000001
LRID = 000000000000491 USID = 0000000002
DBD=DEDBJN21 DDN=DB21AR6  PURGETIME = 14.154 15:29:24.196082
CHANGES ACCUMULATED=YES COMPLETE CA=YES INDOUBT EEQES=NO
```

```

LSN = 000000000000 DSSN = 0000000001
LRID = 0000000000004A5 USID = 0000000002
DBD=DEDBJN21 DDN=DB21AR7 PURGETIME = 14.154 15:29:24.415588
CHANGES ACCUMULATED=YES COMPLETE CA=YES INDOUBT EEQES=NO
LSN = 000000000000 DSSN = 0000000001
LRID = 0000000000004B5 USID = 0000000002
DSP0180I NUMBER OF RECORDS LISTED IS 2

```

## DBGRP, DBDSGRP, and RECOVGRP records

This sample shows the DBGRP, DBDSGRP, and RECOVGRP records at an active site.

```

LIST.DBDSGRP ALL
14.154 15:11:38.796050 LISTING OF RECON PAGE 0002
-----
DBGRP
GRPNAME=DBGRP1 #MEMBERS=6 -DBD/AREA-
DIVNTZ02
DHSVNTZ02
DXVNTZ02
DB21AR0
DB21AR1
DB21AR2

DBDSGRP
GRPNAME=FJKGRP #MEMBERS=5 -DBD- -DDN/AREA-
DIVNTZ02 DBHVSAM1
DIVNTZ02 DBHVSAM2
DHSVNTZ02 HIDAM
DHSVNTZ02 HIDAM2
DXVNTZ02 XDLBT04I

RECOVGRP
GRPNAME=RVCGRP1 #MEMBERS=5 -DBD- -AREA-
DIVNTZ02
DHSVNTZ02
DXVNTZ02
DEDBJN21 DB21AR0
DEDBJN21 DB21AR1

DSP0180I NUMBER OF RECORDS LISTED IS 3

```

## DB (IMS) and related records

This sample shows the DB (IMS) and related records at an active site.

```

LIST.DB DBD(DBOHIDK5) DBDS
14.154 15:11:40.039340 LISTING OF RECON PAGE 0002
-----
DB
DBD=DBOHIDK5 IRLMID=NULL DMB#=3 TYPE=IMS
SHARE LEVEL=3 GSGNAME=NULL** USID=0000000002
AUTHORIZED USID=0000000002 RECEIVE USID=0000000002 HARD USID=0000000002
RECEIVE NEEDED USID=0000000000
DBRCVGRP=NULL**
FLAGS: COUNTERS:
BACKOUT NEEDED =ON RECOVERY NEEDED COUNT =0
READ ONLY =OFF IMAGE COPY NEEDED COUNT =0
PROHIBIT AUTHORIZATION=OFF AUTHORIZED SUBSYSTEMS =1
RECOVERABLE =YES HELD AUTHORIZATION STATE=0
EEQE COUNT =0
TRACKING SUSPENDED =NO RECEIVE REQUIRED COUNT =0
OFR REQUIRED =NO
REORG INTENT =NO
QUIESCE IN PROGRESS =NO
QUIESCE HELD =NO

```

ASSOCIATED SUBSYSTEM INFORMATION:

			ENCODED	B/O NEEDED	
-SSID-	-ACCESS INTENT-	-STATE-	-COUNT-	-SS ROLE-	
SYS3		0	1	ACTIVE	

-----  
 14.154 15:11:40.039340 LISTING OF RECON PAGE 0003  
 -----

DBDS  
 DSN=IMSTESTL.DBOHIDK5.CKXXI010 TYPE=IMS  
 DBD=DBOHIDK5 DDN=CKOHIG10 DSID=001 DBORG=HIDAM DSORG=OSAM  
 CAGRP=CAGRP2 GENMAX=2 IC AVAIL=0 IC USED=0 DSSN=00000001  
 NOREUSE RECOVPD=0  
 DEFLTJCL=\*\*NULL\*\* ICJCL=ICJCL OICJCL=OICJCL RECOVJCL=RECOVJCL  
 RECVJCL=ICRCVJCL  
 FLAGS: COUNTERS:  
 IC NEEDED =OFF  
 IC RECOMMENDED =ON  
 RECOV NEEDED =OFF  
 RECEIVE NEEDED =OFF EEQE COUNT =0

ALLOC  
 ALLOC =14.154 15:01:44.384971 \* ALLOC LRID =0000000000000000  
 DSSN=0000000001 USID=0000000002 START = 14.154 15:58:39.382777

DSP0180I NUMBER OF RECORDS LISTED IS 3  
 DSP0203I COMMAND COMPLETED WITH CONDITION CODE 00  
 DSP0220I COMMAND COMPLETION TIME 14.154 15:11:40.406096  
 IMS VERSION 14 RELEASE 1 DATA BASE RECOVERY CONTROL PAGE 0004  
 LIST.DB DBD(DBVHDJ05) DBDS

-----  
 14.154 15:11:40.039340 LISTING OF RECON PAGE 0005  
 -----

DB  
 DBD=DBVHDJ05 IRLMID=\*\*NULL DMB#=2 TYPE=IMS  
 SHARE LEVEL=3 GSGNAME=\*\*NULL\*\* USID=0000000006  
 AUTHORIZED USID=0000000006 RECEIVE USID=0000000006 HARD USID=0000000006  
 RECEIVE NEEDED USID=0000000000  
 DBRCVGRP=\*\*NULL\*\*  
 FLAGS: COUNTERS:  
 BACKOUT NEEDED =ON RECOVERY NEEDED COUNT =0  
 READ ONLY =OFF IMAGE COPY NEEDED COUNT =0  
 PROHIBIT AUTHORIZATION=OFF AUTHORIZED SUBSYSTEMS =1  
 RECOVERABLE =YES HELD AUTHORIZATION STATE=0  
 EEQE COUNT =0  
 TRACKING SUSPENDED =NO RECEIVE REQUIRED COUNT =0  
 OFR REQUIRED =NO  
 REORG INTENT =NO  
 QUIESCE IN PROGRESS =NO  
 QUIESCE HELD =NO

ASSOCIATED SUBSYSTEM INFORMATION:

			ENCODED	B/O NEEDED	
-SSID-	-ACCESS INTENT-	-STATE-	-COUNT-	-SS ROLE-	
SYS3		0	1	ACTIVE	

-----  
 14.154 15:11:40.039340 LISTING OF RECON PAGE 0006  
 -----

DBDS  
 DSN=IMSTESTL.DBVHDJ05.CJXXD01E TYPE=IMS  
 DBD=DBVHDJ05 DDN=CJVHGD1E DSID=001 DBORG=HDAM DSORG=VSAM  
 CAGRP=CAGRP2 GENMAX=2 IC AVAIL=0 IC USED=2 DSSN=00000005  
 NOREUSE RECOVPD=0  
 DEFLTJCL=\*\*NULL\*\* ICJCL=ICJCL OICJCL=OICJCL RECOVJCL=RECOVJCL  
 RECVJCL=ICRCVJCL  
 FLAGS: COUNTERS:  
 IC NEEDED =OFF  
 RECOV NEEDED =OFF

```

RECEIVE NEEDED =OFF          EEQE COUNT          =0
-----
ALLOC
  ALLOC   =14.154 15:41:04.073628      * ALLOC LRID =0000000000000000
  DSSN=0000000004 USID=0000000005 START = 14.154 15:37:47.711133
  DEALLOC =14.154 15:41:28.647129      DEALLOC LRID =0000000000000000

ALLOC
  ALLOC   =14.154 15:01:44.492502      * ALLOC LRID =0000000000000000
  DSSN=0000000005 USID=0000000006 START = 14.154 15:58:39.382777

IMAGE
  RUN     = 14.154 15:40:51.885368      * RECORD COUNT =33
  STOP    = 00.000 00:00:00.000000      BATCH      USID=0000000004

IC1
  DSN=IMSVS.DBVHJDJ05.CJVHDG1E.IC.IC154050      FILE SEQ=0001
  UNIT=SYSDA      VOLS DEF=0001 VOLS USED=0001
                  VOLSER=222222

IMAGE
  RUN     = 14.154 15:41:51.091990      * RECORD COUNT =33
  STOP    = 14.154 15:41:51.210635      CONCUR    USID=0000000005

IC1
  DSN=IMSVS.DBVHJDJ05.CJVHDG1E.IC.IC154150      FILE SEQ=0001
  UNIT=SYSDA      VOLS DEF=0001 VOLS USED=0001
                  VOLSER=222222

DSP0180I  NUMBER OF RECORDS LISTED IS      6

```

**DB (HALDB and PART) and related records**

This sample shows the DB (HALDB and PART) and related records at an active site.

```

LIST.DB DBD(DBHDOK01) DBDS
14.181 15:30:54.584055          LISTING OF RECON          PAGE 0002
-----
DB
  DBD=DBHDOK01          DMB#=3      CHANGE#=5      TYPE=HALDB
  SHARE LEVEL=3          GSGNAME=IMSGSG1
  DBRCVGRP=**NULL**
  PSNAME=**NULL**      DBORG=PHDAM      DSORG=OSAM      CURRENT PARTITION ID=00004
  FLAGS:
    RECOVERABLE          =YES          PARTITIONS          =4
    ONLINE REORG CAPABLE =YES          DATA SET GROUP MEMBERS =1
                                          ALTER COUNT          =0
                                          ALTER COMPLETE COUNT =0
-----
14.181 15:30:54.584055          LISTING OF RECON          PAGE 0003
-----
DB
  DBD=PDHDOKA      MASTER DB=DBHDOK01      IRLMID=**NULL      CHANGE#=2      TYPE=PART
  USID=0000000003      AUTHORIZED USID=0000000003      HARD USID=0000000003
  RECEIVE USID=0000000003      RECEIVE NEEDED USID=0000000000
  DSN PREFIX=IMSTESTS.DBHDOK01          PARTITION ID=00001
  PREVIOUS PARTITION=**NULL**      NEXT PARTITION=PDHDOKB
  OLRIMSID=**NULL**      ACTIVE DBDS=A-J
  REORG#=00000
  ONLINE REORG STATISTICS:

```

OLR BYTES MOVED = 0  
OLR SEGMENTS MOVED = 0  
OLR ROOT SEGMENTS MOVED = 0

RANDOMIZER:  
NAME=DFSHDC20 ANCHOR=3 HIGH BLOCK#=3 BYTES=25  
FREE SPACE:  
FREE BLOCK FREQ FACTOR=0 FREE SPACE PERCENTAGE=0

PARTITION HIGH KEY/STRING (CHAR): (LENGTH=5 )  
K0200  
PARTITION HIGH KEY/STRING (HEX):  
D2F0F2F0F0

OSAM BLOCK SIZE:  
A = 4096

FLAGS:	COUNTERS:
BACKOUT NEEDED =OFF	RECOVERY NEEDED COUNT =0
READ ONLY =OFF	IMAGE COPY NEEDED COUNT =0
PROHIBIT AUTHORIZATION=OFF	AUTHORIZED SUBSYSTEMS =1
	HELD AUTHORIZATION STATE=6
DATABASE LEVEL TRACK =YES	EEQE COUNT =0
TRACKING SUSPENDED =NO	RECEIVE REQUIRED COUNT =0
OFR REQUIRED =NO	OLR ACTIVE HARD COUNT =0
PARTITION INIT NEEDED =NO	OLR INACTIVE HARD COUNT =0
OLREORG CURSOR ACTIVE =NO	
PARTITION DISABLED =NO	
ONLINE REORG CAPABLE =YES	
REORG INTENT =NO	
QUIESCE IN PROGRESS =NO	
QUIESCE HELD =NO	
ALTER IN PROGRESS =NO	
PARTITION ALTERED =NO	

ASSOCIATED SUBSYSTEM INFORMATION:

		ENCODED	B/O NEEDED	
-SSID-	-ACCESS INTENT-	-STATE-	-COUNT-	-SS ROLE-
IMS1	UPDATE	6	0	ACTIVE

-----  
14.181 15:30:54.584055 LISTING OF RECON PAGE 0004  
-----

DBDS  
DSN=IMSTESTS.DBHDOK01.A00001 TYPE=PART  
DBD=PDHDOKA DDN=PDHDOKAA DSID=001 DBORG=HDAM DSORG=OSAM  
CAGRP=\*\*NULL\*\* GENMAX=2 IC AVAIL=0 IC USED=1 DSSN=00000002  
NOREUSE RECOVPD=0 OTHER DDN=\*\*NULL\*\*  
DEFLTJCL=\*\*NULL\*\* ICJCL=PICJCL OICJCL=POICJCL RECOVJCL=PRECOJCL  
RECVJCL=PRECVJCL  
FLAGS: COUNTERS:  
IC NEEDED =OFF  
RECOV NEEDED =OFF  
RECEIVE NEEDED =OFF EEQE COUNT =0  
-----

ALLOC  
ALLOC =14.181 14:50:14.168656 \* ALLOC LRID =0000000000000000  
DSSN=0000000002 USID=0000000003 START = 14.181 14:49:34.095420

IMAGE  
RUN = 14.181 14:33:59.741138 \* RECORD COUNT =36  
STOP = 00.000 00:00:00.000000 BATCH USID=0000000002

IC1  
DSN=IMSVS.PDHDOKA.PDHDOKAA.IC.IC143353 FILE SEQ=0001  
UNIT=SYSDA VOLS DEF=0001 VOLS USED=0001  
VOLSER=222222

```
-----
DBDS
DSN=IMSTESTS.DBHDOK01.L00001                                TYPE=PART
DBD=PDHDOKA DDN=PDHDOKAL DSID=003 DBORG=INDEX DSORG=VSAM
FLAGS:                                COUNTERS:
  RECOV NEEDED =OFF                    EEQE COUNT =0
-----
```

```
-----
DB
DBD=PDHDOKB MASTER DB=DBHDOK01 IRLMID=*NULL CHANGE#=3     TYPE=PART
USID=0000000002 AUTHORIZED USID=0000000002 HARD USID=0000000002
RECEIVE USID=0000000002 RECEIVE NEEDED USID=0000000000
DSN PREFIX=IMSTESTS.DBHDOK01                                PARTITION ID=00002
PREVIOUS PARTITION=PDHDOKA NEXT PARTITION=PDHDOKC
OLRIMSID>**NULL** ACTIVE DBDS=A-J
REORG#=00000
ONLINE REORG STATISTICS:
  OLR BYTES MOVED = 0
  OLR SEGMENTS MOVED = 0
  OLR ROOT SEGMENTS MOVED = 0
-----
```

```
RANDOMIZER:
NAME=DFSHDC20 ANCHOR=3 HIGH BLOCK#=3 BYTES=25
FREE SPACE:
FREE BLOCK FREQ FACTOR=0 FREE SPACE PERCENTAGE=0
```

```
PARTITION HIGH KEY/STRING (CHAR): (LENGTH=5 )
K0400
PARTITION HIGH KEY/STRING (HEX):
D2F0F4F0F0
```

```
OSAM BLOCK SIZE:
A = 4096
```

```
FLAGS:                                COUNTERS:
BACKOUT NEEDED =OFF                    RECOVERY NEEDED COUNT =0
READ ONLY =OFF                          IMAGE COPY NEEDED COUNT =0
PROHIBIT AUTHORIZATION=OFF              AUTHORIZED SUBSYSTEMS =1
                                         HELD AUTHORIZATION STATE=6
DATABASE LEVEL TRACK =YES                EEQE COUNT =0
TRACKING SUSPENDED =NO                   RECEIVE REQUIRED COUNT =0
OFR REQUIRED =NO                           OLR ACTIVE HARD COUNT =0
PARTITION INIT NEEDED =NO                 OLR INACTIVE HARD COUNT =0
OLREORG CURSOR ACTIVE =NO
PARTITION DISABLED =NO
ONLINE REORG CAPABLE =YES
REORG INTENT =NO
QUIESCE IN PROGRESS =NO
QUIESCE HELD =NO
ALTER IN PROGRESS =NO
PARTITION ALTERED =NO
```

ASSOCIATED SUBSYSTEM INFORMATION:

```
          ENCODED B/O NEEDED
  -SSID-  -ACCESS INTENT- -STATE-  -COUNT-  -SS ROLE-
  IMS1    UPDATE         6         0        ACTIVE
```

```
-----
DBDS
DSN=IMSTESTS.DBHDOK01.A00002                                TYPE=PART
DBD=PDHDOKB DDN=PDHDOKBA DSID=001 DBORG=HDAM DSORG=OSAM
-----
```



CAGRP=\*\*NULL\*\* GENMAX=2 IC AVAIL=0 IC USED=1 DSSN=00000001  
 NOREUSE RECOVPD=0 OTHER DDN=\*\*NULL\*\*  
 DEFLTJCL=\*\*NULL\*\* ICJCL=PI CJCL OICJCL=POICJCL RECOVJCL=PRECOJCL  
 RECVJCL=PRECVJCL  
 FLAGS: COUNTERS:  
 IC NEEDED =OFF  
 RECOV NEEDED =OFF  
 RECEIVE NEEDED =OFF EEQE COUNT =0

ALLOC  
 ALLOC =14.181 14:50:14.594648 \* ALLOC LRID =0000000000000000  
 DSSN=0000000001 USID=0000000002 START = 14.181 14:49:34.095420

IMAGE  
 RUN = 14.181 14:34:05.244954 \* RECORD COUNT =2  
 STOP = 00.000 00:00:00.000000 BATCH USID=0000000001

IC1  
 DSN=IMSVS.PDHOKB.PDHOKBA.IC.IC143354 FILE SEQ=0001  
 UNIT=SYSDA VOLS DEF=0001 VOLS USED=0001  
 VOLSER=222222

14.181 15:30:54.584055 LISTING OF RECON PAGE 0008

DBDS  
 DSN=IMSTESTS.DBHDOK01.L00002 TYPE=PART  
 DBD=PDHDOKB DDN=PDHDOKBL DSID=003 DBORG=INDEX DSORG=VSAM  
 FLAGS: COUNTERS:  
 RECOV NEEDED =OFF EEQE COUNT =0

14.181 15:30:54.584055 LISTING OF RECON PAGE 0009

DB  
 DBD=PDHDOKC MASTER DB=DBHDOK01 IRLMID=\*\*NULL CHANGE#=4 TYPE=PART  
 USID=0000000002 AUTHORIZED USID=0000000002 HARD USID=0000000002  
 RECEIVE USID=0000000002 RECEIVE NEEDED USID=0000000000  
 DSN PREFIX=IMSTESTS.DBHDOK01 PARTITION ID=00003  
 PREVIOUS PARTITION=PDHDOKB NEXT PARTITION=PDHDOKD  
 OLRIMSID=\*\*NULL\*\* ACTIVE DBDS=A-J  
 REORG#=00000  
 ONLINE REORG STATISTICS:  
 OLR BYTES MOVED = 0  
 OLR SEGMENTS MOVED = 0  
 OLR ROOT SEGMENTS MOVED = 0

RANDOMIZER:  
 NAME=DFSHDC20 ANCHOR=3 HIGH BLOCK#=3 BYTES=25  
 FREE SPACE:  
 FREE BLOCK FREQ FACTOR=0 FREE SPACE PERCENTAGE=0

PARTITION HIGH KEY/STRING (CHAR): (LENGTH=5 )  
 K0600  
 PARTITION HIGH KEY/STRING (HEX):  
 D2F0F6F0F0

OSAM BLOCK SIZE:  
 A = 4096

FLAGS: COUNTERS:  
 BACKOUT NEEDED =OFF RECOVERY NEEDED COUNT =0  
 READ ONLY =OFF IMAGE COPY NEEDED COUNT =0  
 PROHIBIT AUTHORIZATION=OFF AUTHORIZED SUBSYSTEMS =1  
 HELD AUTHORIZATION STATE=6  
 DATABASE LEVEL TRACK =YES EEQE COUNT =0  
 TRACKING SUSPENDED =NO RECEIVE REQUIRED COUNT =0

```

OFR REQUIRED           =NO           OLR ACTIVE HARD COUNT =0
PARTITION INIT NEEDED =NO           OLR INACTIVE HARD COUNT =0
OLREORG CURSOR ACTIVE =NO
PARTITION DISABLED   =NO
ONLINE REORG CAPABLE =YES
REORG INTENT          =NO
QUIESCE IN PROGRESS  =NO
QUIESCE HELD         =NO
ALTER IN PROGRESS    =NO
PARTITION ALTERED    =NO

```

ASSOCIATED SUBSYSTEM INFORMATION:

```

                                ENCODED B/O NEEDED
1=H|p 2=Loc 3=Qui 4=          5=Rep 6=Pur 7=Scb 8=Scf 9=Top 10=Scr 11=Sc| 1
-SSID- -ACCESS INTENT- -STATE- -COUNT- -SS ROLE-
IMS1   UPDATE          6       0       ACTIVE

```

-----  
14.181 15:30:54.584055 LISTING OF RECON PAGE 0010  
-----

```

DBDS
DSN=IMSTESTS.DBHDK01.A00003           TYPE=PART
DBD=PDHDOKC DDN=PDHDOKCA DSID=001 DBORG=HDAM DSORG=OSAM
CAGRP=**NULL** GENMAX=2 IC AVAIL=0 IC USED=1 DSSN=00000001
NOREUSE RECOVPD=0 OTHER DDN=**NULL**
DEFLTJCL=**NULL** ICJCL=PICJCL OICJCL=POICJCL RECOVJCL=PRECOJCL
RECVJCL=PRECVJCL
FLAGS:                                COUNTERS:
IC NEEDED =OFF
RECOV NEEDED =OFF
RECEIVE NEEDED =OFF                    EEQE COUNT =0

```

-----  
ALLOC  
ALLOC =14.181 14:50:14.970194 \* ALLOC LRID =0000000000000000  
DSSN=0000000001 USID=0000000002 START = 14.181 14:49:34.095420

```

IMAGE
RUN = 14.181 14:34:12.211171 * RECORD COUNT =2
STOP = 00.000 00:00:00.000000 BATCH USID=0000000001

```

```

IC1
DSN=IMSVS.PDHDOKC.PDHDOKCA.IC.IC143354 FILE SEQ=0001
UNIT=SYSDA VOLS DEF=0001 VOLS USED=0001
VOLSER=222222

```

-----  
14.181 15:30:54.584055 LISTING OF RECON PAGE 0011  
-----

```

DBDS
DSN=IMSTESTS.DBHDK01.L00003           TYPE=PART
DBD=PDHDOKC DDN=PDHDOKCL DSID=003 DBORG=INDEX DSORG=VSAM
FLAGS:                                COUNTERS:
RECOV NEEDED =OFF                    EEQE COUNT =0

```

-----  
14.181 15:30:54.584055 LISTING OF RECON PAGE 0012  
-----

```

DB
DBD=PDHDOKD MASTER DB=DBHDOK01 IRLMID=**NULL CHANGE#=5 TYPE=PART
USID=0000000003 AUTHORIZED USID=0000000003 HARD USID=0000000003
RECEIVE USID=0000000003 RECEIVE NEEDED USID=0000000000
DSN PREFIX=IMSTESTS.DBHDK01 PARTITION ID=00004
PREVIOUS PARTITION=PDHDOKC NEXT PARTITION=**NULL**
OLRIMSID=**NULL** ACTIVE DBDS=A-J
REORG#=00000
ONLINE REORG STATISTICS:
OLR BYTES MOVED = 0

```

OLR SEGMENTS MOVED = 0  
OLR ROOT SEGMENTS MOVED = 0

RANDOMIZER:  
NAME=DFSHDC20 ANCHOR=3 HIGH BLOCK#=3 BYTES=25  
FREE SPACE:  
FREE BLOCK FREQ FACTOR=0 FREE SPACE PERCENTAGE=0

PARTITION HIGH KEY/STRING (CHAR): (LENGTH=5 )

.....  
PARTITION HIGH KEY/STRING (HEX):  
FFFFFFFF

OSAM BLOCK SIZE:  
A = 4096

FLAGS:	COUNTERS:
BACKOUT NEEDED =OFF	RECOVERY NEEDED COUNT =0
READ ONLY =OFF	IMAGE COPY NEEDED COUNT =0
PROHIBIT AUTHORIZATION=OFF	AUTHORIZED SUBSYSTEMS =1
	HELD AUTHORIZATION STATE=6
DATABASE LEVEL TRACK =YES	EEQE COUNT =0
TRACKING SUSPENDED =NO	RECEIVE REQUIRED COUNT =0
OFR REQUIRED =NO	OLR ACTIVE HARD COUNT =0
PARTITION INIT NEEDED =NO	OLR INACTIVE HARD COUNT =0
OLREORG CURSOR ACTIVE =NO	
PARTITION DISABLED =NO	
ONLINE REORG CAPABLE =YES	
REORG INTENT =NO	
QUIESCE IN PROGRESS =NO	
QUIESCE HELD =NO	
ALTER IN PROGRESS =NO	
PARTITION ALTERED =NO	

ASSOCIATED SUBSYSTEM INFORMATION:

-SSID-	-ACCESS INTENT-	ENCODED	B/O NEEDED	-SS ROLE-
IMS1	UPDATE	-STATE-	-COUNT-	ACTIVE
		6	0	

-----  
14.181 15:30:54.584055 LISTING OF RECON PAGE 0013  
-----

DBDS  
DSN=IMSTESTS.DBDHOK01.A00004 TYPE=PART  
DBD=PDHOKD DDN=PDHOKDA DSID=001 DBORG=HDAM DSORG=OSAM  
CAGRP=\*\*NULL\*\* GENMAX=2 IC AVAIL=0 IC USED=1 DSSN=00000002  
NOREUSE RECOVPD=0 OTHER DDN=\*\*NULL\*\*  
DEFLTJCL=\*\*NULL\*\* ICJCL=PICJCL OICJCL=POICJCL RECOVJCL=PRECOJCL  
RECVJCL=PRECVJCL

FLAGS:	COUNTERS:
IC NEEDED =OFF	
RECOV NEEDED =OFF	
RECEIVE NEEDED =OFF	EEQE COUNT =0

-----  
ALLOC  
ALLOC =14.181 14:50:15.287501 \* ALLOC LRID =0000000000000000  
DSSN=0000000002 USID=0000000003 START = 14.181 14:49:34.095420

IMAGE  
RUN = 14.181 14:34:19.333362 \* RECORD COUNT =24  
STOP = 00.000 00:00:00.000000 BATCH USID=0000000002

IC1  
DSN=IMSVS.PDHOKD.PDHOKDA.IC.IC144327 FILE SEQ=0001  
UNIT=SYSDA VOLS DEF=0001 VOLS USED=0001  
VOLSER=222222

```

-----
DBDS
DSN=IMSTESTS.DBHDOK01.L00004 TYPE=PART
DBD=PDHDOKD DDN=PDHDOKDL DSID=003 DBORG=INDEX DSORG=VSAM
FLAGS: COUNTERS:
RECOV NEEDED =OFF EEQE COUNT =0
    
```

DSP0180I NUMBER OF RECORDS LISTED IS 21

### DB (FP) and related records

This sample shows the DB (FP) and related records at an active site.

LIST.DB DBD(DEDBDD01) DBDS  
 14.154 15:11:54.913524 LISTING OF RECON PAGE 0002

```

-----
DB
DBD=DEDBDD01 DMB#=7 TYPE=FP
SHARE LEVEL=1 RANDOMIZER=**NULL**
FLAGS: COUNTERS:
RECOVERY NEEDED COUNT =0
IMAGE COPY NEEDED COUNT =0
PROHIBIT AUTHORIZATION=OFF AUTHORIZED AREAS =1
RECOVERABLE =YES EEQE COUNT =0
FULLSEG DEFAULT =NO ALTER COUNT =0
    
```

14.154 15:11:54.913524 LISTING OF RECON PAGE 0003

```

-----
DBDS
DBD=DEDBDD01 AREA=DD01AR0 TYPE=FP
SHARE LEVEL=1 DSID=00001 DBORG=DEDB DSORG=VSAM
GSGNAME=IMSGSG1 USID=0000000002
AUTHORIZED USID=0000000000 RECEIVE USID=0000000000 HARD USID=0000000000
RECEIVE NEEDED USID=0000000000
CAGRP=**NULL** GENMAX=2 IC AVAIL=0 IC USED=0 DSSN=00000001
NOREUSE RECOVPD=0 NOVSO PREOPEN NOPRELOAD NOFULLSG
CFSTR1=**NULL** CFSTR2=**NULL** NOLKASID NOMAS
DEFLTJCL=**NULL** ICJCL=ICJCL RECVJCL=ICRCVJCL RECOVJCL=RECOVJCL
DBRCVGRP=**NULL**
FLAGS: COUNTERS:
PROHIBIT AUTHORIZATION=OFF AUTHORIZED SUBSYSTEMS =1
HELD AUTHORIZATION STATE=0
IC NEEDED =OFF ADS AVAIL # =1
IC RECOMMENDED =ON
RECOV NEEDED =OFF REGISTERED ADS # =1
DATABASE LEVEL TRACK =YES EEQE COUNT =0
RECEIVE NEEDED =OFF SHADOW ADS AVAIL # =0
OFR REQUIRED =NO REGISTERED SHADOW ADS # =0
TRACKING SUSPENDED =NO
HSSP CIC IN PROGRESS =NO
QUIESCE IN PROGRESS =NO
QUIESCE HELD =NO
ALTER IN PROGRESS =NO
    
```

ADS LIST:

-ADS DDN--ADS DSN-	CREATE
DD01AR0 IMSTESTL.DD01AR0	-STAT- -RUNNING-
	AVAIL NO

ASSOCIATED SUBSYSTEM INFORMATION:

	ENCODED
-SSID- -ACCESS INTENT-	-STATE- -SS ROLE-
SYS3 UPDATE	6 ACTIVE

ALLOC

ALLOC =14.154 15:58:40.009295 \* ALLOC LRID =00000000000001DF  
DSSN=0000000001 USID=0000000002 START = 14.154 15:58:39.382777

DSP0180I NUMBER OF RECORDS LISTED IS 3

## Sample listing of a RECON data set at the tracking site

These topics comprise a listing of a RECON data set from a tracking site in an RSR environment.

Subsections:

- "RECON status record"
- "Log records" on page 450
- "GSG record" on page 454
- "TSYS and SSYS records" on page 455
- "BACKOUT record" on page 455
- "CAGRP and CA records" on page 455
- "DBGRP, DBDSGRP, and RECOVGRP records" on page 456
- "DB (IMS) and related records" on page 457
- "DB (HALDB and PART) and related records" on page 459
- "DB (FP) and related records" on page 465

### RECON status record

This sample shows the RECON status record at the tracking site.

LIST.RECON STATUS  
14.154 15:11:31.325476 LISTING OF RECON PAGE 0002

-----  
RECON  
RECOVERY CONTROL DATA SET, IMS V14R1  
DMB#=9 INIT TOKEN=14154F2320280F  
NOFORCER LOG DSN CHECK=CHECK17 STARTNEW=NO  
TAPE UNIT=3400 DASD UNIT=SYSDA TRACEOFF SSID=\*\*NULL\*\*  
LIST DLOG=YES CA/IC/LOG DATA SETS CATALOGED=NO  
MINIMUM VERSION = 12.1 CROSS DBRC SERVICE LEVEL ID= 00001  
REORG NUMBER VERIFICATION=NO  
LOG RETENTION PERIOD=00.000 00:15:00.0  
COMMAND AUTH=NONE HLQ=\*\*NULL\*\*  
RCNQUAL=\*\*NULL\*\*  
CATALOG=\*\*NULL\*\*  
ACCESS=SERIAL LIST=STATIC  
SIZALERT DSNUM=15 VOLNUM=16 PERCENT= 95  
LOGALERT DSNUM=3 VOLNUM=16

TIME STAMP INFORMATION:

TIMEZIN = %SYS -LABEL- -OFFSET-  
PDT -07:00  
PST -08:00

OUTPUT FORMAT: DEFAULT = LOCORG NONE PUNC YY  
CURRENT = LOCORG NONE PUNC YY

IMSPLEX = \*\* NONE \*\* GROUP ID = \*\* NONE \*\*

-DDNAME- -STATUS- -DATA SET NAME-  
RECON1 COPY1 IMSTESTL.IMS.RECON1  
RECON2 COPY2 IMSTESTL.IMS.RECON2



#DS CHECKPOINTS= 0 CHKPT ID = 00.000 00:00:00.000000  
CHECKPOINT TYPES=00: SIMPLE=N SNAPQ=N DUMPQ=N PURGE=N FREEZE=N

DSN=IMSTESTL.RSR.ARCH1.N0000010  
START = 14.154 15:33:16.971723 FIRST DS LSN= 00000000000004D6  
STOP = 14.154 15:36:41.898987 LAST DS LSN= 000000000000076F  
#DS CHECKPOINTS= 2 CHKPT ID = 14.154 15:33:16.987425  
CHECKPOINT TYPES=88: SIMPLE=Y SNAPQ=N DUMPQ=N PURGE=N FREEZE=Y

DSN=IMSTESTL.RSR.ARCH1.N0000012  
START = 14.154 15:36:41.898987 FIRST DS LSN= 0000000000000770  
STOP = 14.154 15:36:41.959160 LAST DS LSN= 00000000000008DE  
#DS CHECKPOINTS= 0 CHKPT ID = 14.154 15:36:41.882168  
CHECKPOINT TYPES=00: SIMPLE=N SNAPQ=N DUMPQ=N PURGE=N FREEZE=N

14.154 15:11:46.569200 LISTING OF RECON PAGE 0004

-----  
PRILOG RECORD SIZE= 744  
START = 14.154 15:37:47.711133 \* SSID=SYS3 VERSION=14.1  
STOP = 14.154 15:57:10.399010 #DSN=4  
GSGNAME=IMSGSG1 TRACKING  
FIRST RECORD ID= 0000000000000001 PRILOG TOKEN= 2  
EARLIEST CHECKPOINT = 14.154 15:41:22.526142

DSN=\*\*\*\* COMPRESSED DATA SET \*\*\*\*  
START = 14.154 15:37:47.711133 FIRST DS LSN= 0000000000000001  
STOP = 14.154 15:41:07.179742 LAST DS LSN= 000000000000079C  
#DS CHECKPOINTS= 1

DSN=IMSTESTL.RSR.RLDS1.N0000026  
START = 14.154 15:41:07.179742 FIRST DS LSN= 000000000000079D  
STOP = 14.154 15:41:28.678552 LAST DS LSN= 0000000000000A01  
#DS CHECKPOINTS= 1 CHKPT ID = 14.154 15:41:22.526142

DSN=IMSTESTL.RSR.RLDS1.N0000029  
START = 14.154 15:41:28.678552 FIRST DS LSN= 0000000000000A02  
STOP = 14.154 15:57:10.354624 LAST DS LSN= 0000000000000C88  
#DS CHECKPOINTS= 2 CHKPT ID = 14.154 15:41:28.697509

DSN=IMSTESTL.RSR.RLDS1.N0000031  
START = 14.154 15:57:10.354624 FIRST DS LSN= 0000000000000C89  
STOP = 14.154 15:57:10.399010 LAST DS LSN= 0000000000000DF0  
#DS CHECKPOINTS= 0 CHKPT ID = 14.154 15:57:10.347432

LOGALL  
START = 14.154 15:37:47.711133 \*  
EARLIEST ALLOC TIME = 00.000 00:00:00.000000  
DBDS ALLOC=0

14.154 15:11:46.569200 LISTING OF RECON PAGE 0005

-----  
PRISLD RECORD SIZE= 744  
START = 14.154 15:37:47.711133 \* SSID=SYS3 VERSION=14.1  
STOP = 14.154 15:57:10.399010 #DSN=4  
GSGNAME=IMSGSG1 TRACKING  
FIRST RECORD ID= 0000000000000001 PRILOG TOKEN= 2

DSN=\*\*\*\* COMPRESSED DATA SET \*\*\*\*  
START = 14.154 15:37:47.711133 FIRST DS LSN= 0000000000000001  
STOP = 14.154 15:41:07.179742 LAST DS LSN= 000000000000079C  
#DS CHECKPOINTS= 1  
CHECKPOINT TYPES=80: SIMPLE=Y SNAPQ=N DUMPQ=N PURGE=N FREEZE=N

DSN=IMSTESTL.RSR.ARCH1.N0000025  
START = 14.154 15:41:07.179742 FIRST DS LSN= 000000000000079D  
STOP = 14.154 15:41:28.678552 LAST DS LSN= 0000000000000A01  
#DS CHECKPOINTS= 1 CHKPT ID = 14.154 15:41:22.526142  
CHECKPOINT TYPES=40: SIMPLE=N SNAPQ=Y DUMPQ=N PURGE=N FREEZE=N

DSN=IMSTESTL.RSR.ARCH1.N0000028  
START = 14.154 15:41:28.678552 FIRST DS LSN= 000000000000A02  
STOP = 14.154 15:57:10.354624 LAST DS LSN= 000000000000C88  
#DS CHECKPOINTS= 2 CHKPT ID = 14.154 15:41:28.697509  
CHECKPOINT TYPES=88: SIMPLE=Y SNAPQ=N DUMPQ=N PURGE=N FREEZE=Y

DSN=IMSTESTL.RSR.ARCH1.N0000030  
START = 14.154 15:57:10.354624 FIRST DS LSN= 000000000000C89  
STOP = 14.154 15:57:10.399010 LAST DS LSN= 000000000000DF0  
#DS CHECKPOINTS= 0 CHKPT ID = 14.154 15:57:10.347432  
CHECKPOINT TYPES=00: SIMPLE=N SNAPQ=N DUMPQ=N PURGE=N FREEZE=N  
14.154 15:11:46.569200 LISTING OF RECON PAGE 0006

-----  
PRILOG RECORD SIZE= 304  
START = 14.154 15:57:24.075523 \* SSID=BATCH1 VERSION=14.1  
STOP = 14.154 15:57:24.669588 #DSN=1  
GSGNAME=IMSGSG1 TRACKING NORMAL TERM  
FIRST RECORD ID= 0000000000000001 PRILOG TOKEN= 3

DSN=IMSTESTL.RSR.ARCH1.N0000033  
START = 14.154 15:57:24.075523 FIRST DS LSN= 000000000000001  
STOP = 14.154 15:57:24.669588 LAST DS LSN= 00000000000009E  
#DS CHECKPOINTS= 0 CHKPT ID = 00.000 00:00:00.000000

LOGALL  
START = 14.154 15:57:24.075523 \*  
EARLIEST ALLOC TIME = 14.154 15:57:24.467199  
DBDS ALLOC=3 -DBD- -DDN- -ALLOC-  
DHVNTZ02 HIDAM 1  
DXVNTZ02 XDLBT04I 1  
DIVNTZ02 DBHVSAM1 1

14.154 15:11:46.569200 LISTING OF RECON PAGE 0007

-----  
PRILOG RECORD SIZE= 464  
START = 14.154 15:58:39.382777 \* SSID=SYS3 VERSION=14.1  
STOP = 14.154 15:03:24.570042 #DSN=2  
GSGNAME=IMSGSG1 TRACKING  
FIRST RECORD ID= 0000000000000001 PRILOG TOKEN= 4  
EARLIEST CHECKPOINT = 14.154 15:58:39.879555

DSN=IMSTESTL.RSR.RLDS1.N0000036  
START = 14.154 15:58:39.382777 FIRST DS LSN= 000000000000001  
STOP = 14.154 15:01:44.188446 LAST DS LSN= 0000000000000331  
#DS CHECKPOINTS= 1 CHKPT ID = 14.154 15:58:39.879555

DSN=IMSTESTL.RSR.RLDS1.N0000040  
START = 14.154 15:01:44.188446 FIRST DS LSN= 0000000000000332  
STOP = 14.154 15:03:24.570042 LAST DS LSN= 000000000000034C  
#DS CHECKPOINTS= 0 CHKPT ID = 00.000 00:00:00.000000

LOGALL  
START = 14.154 15:58:39.382777 \*  
EARLIEST ALLOC TIME = 14.154 15:58:40.009295  
DBDS ALLOC=4 -DBD- -DDN- -ALLOC-  
DEDBDD01 DD01AR0 1  
DHVNTZ02 HIDAM 1  
DXVNTZ02 XDLBT04I 1  
DIVNTZ02 DBHVSAM1 1

14.154 15:11:46.569200 LISTING OF RECON PAGE 0008

-----  
PRISLD RECORD SIZE= 464  
START = 14.154 15:58:39.382777 \* SSID=SYS3 VERSION=14.1  
STOP = 14.154 15:03:24.570042 #DSN=2  
GSGNAME=IMSGSG1 TRACKING  
FIRST RECORD ID= 0000000000000001 PRILOG TOKEN= 4

DSN=IMSTESTL.RSR.ARCH1.N0000035



START = 14.154 15:58:39.382777 FIRST DS LSN= 0000000000000001  
STOP = 14.154 15:01:44.188446 LAST DS LSN= 0000000000000331  
#DS CHECKPOINTS= 1 CHKPT ID = 14.154 15:58:39.879555  
CHECKPOINT TYPES=80: SIMPLE=Y SNAPQ=N DUMPQ=N PURGE=N FREEZE=N

DSN=IMSTESTL.RSR.ARCH1.N0000039  
START = 14.154 15:01:44.188446 FIRST DS LSN= 0000000000000332  
STOP = 14.154 15:03:24.570042 LAST DS LSN= 000000000000034C  
#DS CHECKPOINTS= 0 CHKPT ID = 00.000 00:00:00.000000  
CHECKPOINT TYPES=00: SIMPLE=N SNAPQ=N DUMPQ=N PURGE=N FREEZE=N

14.154 15:11:46.569200 LISTING OF RECON PAGE 0009

-----  
PRILOG RECORD SIZE= 464  
START = 14.154 15:03:24.596598 \* SSID=SYS3 VERSION=14.1  
STOP = 00.000 00:00:00.000000 #DSN=2  
GSGNAME=IMSGSG1 TRACKING  
FIRST RECORD ID= 000000000000034D PRILOG TOKEN= 5  
EARLIEST CHECKPOINT = 14.154 15:58:39.879555

DSN=IMSTESTL.RSR.RLDS1.N0000042  
START = 14.154 15:03:24.596598 FIRST DS LSN= 000000000000034D  
STOP = 14.154 15:03:25.515732 LAST DS LSN= 0000000000000520  
#DS CHECKPOINTS= 1 CHKPT ID = 14.154 15:58:39.879555

DSN=IMSTESTL.RSR.SLDS1.N0000038  
START = 00.000 00:00:00.000000 FIRST DS LSN= 0000000000000753  
STOP = 00.000 00:00:00.000000 LAST DS LSN= 0000000000000000  
#DS CHECKPOINTS= 0 CHKPT ID = 00.000 00:00:00.000000

LOGALL  
START = 14.154 15:03:24.596598 \*  
EARLIEST ALLOC TIME = 00.000 00:00:00.000000  
DBDS ALLOC=0

14.154 15:11:46.569200 LISTING OF RECON PAGE 0010

-----  
PRISLD RECORD SIZE= 464  
START = 14.154 15:03:24.596598 \* SSID=SYS3 VERSION=14.1  
STOP = 00.000 00:00:00.000000 #DSN=2  
GSGNAME=IMSGSG1 TRACKING  
FIRST RECORD ID= 000000000000034D PRILOG TOKEN= 5

DSN=IMSTESTL.RSR.ARCH1.N0000041  
START = 14.154 15:03:24.596598 FIRST DS LSN= 000000000000034D  
STOP = 14.154 15:03:25.515732 LAST DS LSN= 0000000000000520  
#DS CHECKPOINTS= 1 CHKPT ID = 14.154 15:58:39.879555  
CHECKPOINT TYPES=40: SIMPLE=N SNAPQ=Y DUMPQ=N PURGE=N FREEZE=N

DSN=IMSTESTL.RSR.SLDS1.N0000038  
START = 00.000 00:00:00.000000 FIRST DS LSN= 0000000000000753  
STOP = 00.000 00:00:00.000000 LAST DS LSN= 0000000000000000  
#DS CHECKPOINTS= 0 CHKPT ID = 00.000 00:00:00.000000  
CHECKPOINT TYPES=00: SIMPLE=N SNAPQ=N DUMPQ=N PURGE=N FREEZE=N

14.154 15:11:46.569200 LISTING OF RECON PAGE 0011

-----  
PRILOG RECORD SIZE= 464  
START = 14.154 15:08:41.674123 \* SSID=IMS2 VERSION=14.1  
STOP = 14.154 15:11:09.978428 #DSN=2  
GSGNAME=IMSGSG1 TRACKING PREV-GAP  
FIRST RECORD ID= 0000000000000001 PRILOG TOKEN= 6  
EARLIEST CHECKPOINT = 00.000 00:00:00.000000

DSN=IMSTESTL.RSR.RLDS1.N0000048  
START = 14.154 15:08:41.674123 FIRST DS LSN= 0000000000000001  
STOP = 14.154 15:11:09.923207 LAST DS LSN= 0000000000000261  
#DS CHECKPOINTS= 2 CHKPT ID = 00.000 00:00:00.000000

DSN=IMSTESTL.RSR.RLDS1.N0000049  
 START = 14.154 15:11:09.923207 FIRST DS LSN= 000000000000262  
 STOP = 14.154 15:11:09.978428 LAST DS LSN= 0000000000003CE  
 #DS CHECKPOINTS= 0 CHKPT ID = 00.000 00:00:00.000000

LOGALL  
 START = 14.154 15:08:41.674123 \*  
 EARLIEST ALLOC TIME = 00.000 00:00:00.000000  
 DBDS ALLOC=0

14.154 15:11:46.569200 LISTING OF RECON PAGE 0012

-----  
 PRISLD RECORD SIZE= 464  
 START = 14.154 15:08:41.674123 \* SSID=IMS2 VERSION=14.1  
 STOP = 14.154 15:11:09.978428 #DSN=2  
 GSGNAME=IMSGSG1 TRACKING  
 FIRST RECORD ID= 000000000000001 PRILOG TOKEN= 6

DSN=IMSTESTL.RSR.ARCH1.N0000046  
 START = 14.154 15:08:41.674123 FIRST DS LSN= 000000000000001  
 STOP = 14.154 15:11:09.923207 LAST DS LSN= 000000000000261  
 #DS CHECKPOINTS= 2 CHKPT ID = 00.000 00:00:00.000000  
 CHECKPOINT TYPES=88: SIMPLE=Y SNAPQ=N DUMPQ=N PURGE=N FREEZE=Y

DSN=IMSTESTL.RSR.ARCH1.N0000047  
 START = 14.154 15:11:09.923207 FIRST DS LSN= 0000000000000262  
 STOP = 14.154 15:11:09.978428 LAST DS LSN= 0000000000003CE  
 #DS CHECKPOINTS= 0 CHKPT ID = 00.000 00:00:00.000000  
 CHECKPOINT TYPES=00: SIMPLE=N SNAPQ=N DUMPQ=N PURGE=N FREEZE=N

14.154 15:11:46.569200 LISTING OF RECON PAGE 0013

-----  
 PRIOLD  
 SSID=SYS3 # DD ENTRIES=2  
 EARLIEST CHECKPOINT = 14.154 15:23:15.609918

DDNAME=DFSOLP00 DSN=IMSTESTL.IMS01.OLDSP0  
 START = 14.154 15:23:15.320905 FIRST DS LSN= 000000000000001  
 STOP = 14.154 15:07:47.146848 LAST DS LSN= 00000000000005D3  
 LOCK SEQUENCE# = 000000000000  
 STATUS=ARC COMPLT FEOV=YES AVAIL  
 PRILOG TIME=14.154 15:23:15.320905 ARCHIVE JOB NAME=JT150747  
 VERSION=14.1

DDNAME=DFSOLP01 DSN=IMSTESTL.IMS01.OLDSP1  
 START = 14.154 15:07:47.146848 FIRST DS LSN= 00000000000005D4  
 STOP = 00.000 00:00:00.000000 LAST DS LSN= 0000000000000000  
 LOCK SEQUENCE# = 000000000000  
 STATUS=ACTIVE FEOV=NO AVAIL  
 PRILOG TIME=14.154 15:23:15.320905  
 VERSION=14.1

DSP0180I NUMBER OF RECORDS LISTED IS 18

## GSG record

This sample shows the GSG record at the tracking site.

LIST.GSG GSGNAME(IMSGSG1)  
 14.154 15:11:47.909122 LISTING OF RECON PAGE 0002

-----  
 GSG  
 GSGNAME=IMSGSG1 #SGS=2 -SNAME- -ROLE-  
 STLSITE1 ACTIVE  
 STLSITE2 TRACKING LOCAL  
 CURRENT PRILOG TOKEN = 6 TAKEOVER TOKEN = 0  
 MINIMUM PRILOG TOKEN = 1 DSN SEQ NUMBER = 48  
 START TIME OF CURRENT LOG = 14.154 15:08:41.674123  
 HIGHEST ACTIVE SITE TIME = 14.154 15:11:09.978428

TRACKING SUBSYSTEM ID = SYS3  
TAKEOVER IN PROGRESS  
DSP0180I NUMBER OF RECORDS LISTED IS 1

## TSYS and SSYS records

This sample shows the TSYS and SSYS records at the tracking site.

14.154 15:11:41.845599 LISTING OF RECON PAGE 0017

-----  
TSYS  
SSID=SYS3 LOG START=14.154 15:23:15.320905  
SSTYPE=TRACKER ABNORMAL TERM=OFF RECOVERY STARTED=NO BACKUP=NO  
TRACKED=NO TRACKER TERM=OFF SHARING COVERED DBS=NO  
GSGNAME=IMSGSG1

COEXISTENCE LEVEL=14.1

AUTHORIZED DATA BASES/AREAS=3 VERSION=14.1 XRF CAPABLE=NO

-DBD-	-AREA-	-LEVEL-	-ACCESS INTENT-	-STATE-
DHVNTZ02	**NULL**	3	EXCLUSIVE	7
DXVNTZ02	**NULL**	3	EXCLUSIVE	7
DIVNTZ02	**NULL**	3	EXCLUSIVE	7

SSYS  
SSID=SYS3 LOG START=14.154 15:58:39.382777  
SSTYPE=ONLINE ABNORMAL TERM=ON RECOVERY STARTED=NO BACKUP=NO  
TRACKED=YES TRACKER TERM=OFF SHARING COVERED DBS=NO  
IRLMID=\*\*NULL\*\* IRLM STATUS=NORMAL GSGNAME=IMSGSG1  
COEXISTENCE LEVEL=14.1

AUTHORIZED DATA BASES/AREAS=4 VERSION=14.1 XRF CAPABLE=NO

-DBD-	-AREA-	-LEVEL-	-ACCESS INTENT-	-STATE-
DEDBDD01	DD01AR0	1	UPDATE	6
DHVNTZ02	**NULL**	3	UPDATE	6
DXVNTZ02	**NULL**	3	UPDATE	6
DIVNTZ02	**NULL**	3	UPDATE	6

## BACKOUT record

This sample shows the BACKOUT record at the tracking site.

LIST.BKOUT  
14.154 15:11:49.333196 LISTING OF RECON PAGE 0002

-----  
BACKOUT  
SSID=SYS3 #UORS=1  
  
RECOVERY TOKEN=E2E8E2F3404040400000000300000002  
TIME=14.154 16:01:12.325196 PSB=PLVAPZ12  
INFLT BMP  
ASSOCIATED DATA BASES=3

-DBD-	BACKED -OUT -	DYN BKOUT -FAILURE-
DHVNTZ02	NO	NO
DXVNTZ02	NO	NO
DIVNTZ02	NO	NO

DSP0180I NUMBER OF RECORDS LISTED IS 1

## CAGRP and CA records

This sample shows the CAGRP and CA records at the tracking site.

```

-----
CAGRP
GRPNAME=CAGRP1  GRPMAX=3  CA AVAIL=0  CA USED=1
NOREUSE CAJCL=CAJCL      DEFLTJCL=**NULL**  RECOVPD=0
                          #MEMBERS=4      -DBD-      -DDN-
                          DEDBJN21  DB21AR1
                          DEDBJN21  DB21AR3
                          DEDBJN21  DB21AR6
                          DEDBJN21  DB21AR7
-----
  
```

```

CA
DSN=IMSVS.CAGRP1.CA.CA001101      FILE SEQ=1
CAGRP=CAGRP1      STOP      = 14.154 15:33:16.972494      *
                          UNIT=SYSDA      VOLS DEF=1      VOLS USED=1
                          VOLSER=222222

RUN      = 14.154 15:11:15.468507
DBD=DEDBJN21 DDN=DB21AR1  PURGETIME = 14.154 15:29:23.362692
  CHANGES ACCUMULATED=YES COMPLETE CA=YES INDOUBT EEQES=NO
  LSN      = 000000000000      DSSN      = 0000000001
  LRID     = 00000000000047F  USID      = 0000000002
DBD=DEDBJN21 DDN=DB21AR3  PURGETIME = 14.154 15:29:23.643934
  CHANGES ACCUMULATED=YES COMPLETE CA=YES INDOUBT EEQES=NO
  LSN      = 000000000000      DSSN      = 0000000001
  LRID     = 000000000000491  USID      = 0000000002
DBD=DEDBJN21 DDN=DB21AR6  PURGETIME = 14.154 15:29:24.196082
  CHANGES ACCUMULATED=YES COMPLETE CA=YES INDOUBT EEQES=NO
  LSN      = 000000000000      DSSN      = 0000000001
  LRID     = 0000000000004A5  USID      = 0000000002
DBD=DEDBJN21 DDN=DB21AR7  PURGETIME = 14.154 15:29:24.415588
  CHANGES ACCUMULATED=YES COMPLETE CA=YES INDOUBT EEQES=NO
  LSN      = 000000000000      DSSN      = 0000000001
  LRID     = 0000000000004B5  USID      = 0000000002
DSP0180I  NUMBER OF RECORDS LISTED IS      2
  
```

### DBGGRP, DBDSGRP, and RECOVGRP records

This sample shows the DBGGRP, DBDSGRP, and RECOVGRP records at the tracking site.

```

-----
DBGGRP
GRPNAME=DBGRP1      #MEMBERS=6      -DBD/AREA-
                          DIVNTZ02
                          DHVNTZ02
                          DXVNTZ02
                          DB21AR0
                          DB21AR1
                          DB21AR2

DBDSGRP
GRPNAME=FJKGRP      #MEMBERS=5      -DBD-      -DDN/AREA-
                          DIVNTZ02  DBHVSAM1
                          DIVNTZ02  DBHVSAM2
                          DHVNTZ02  HIDAM
                          DHVNTZ02  HIDAM2
                          DXVNTZ02  XDLBT04I

RECOVGRP
GRPNAME=RCVGRP1      #MEMBERS=5      -DBD-      -AREA-
                          DIVNTZ02
                          DHVNTZ02
                          DXVNTZ02
  
```

DEDBJN21 DB21AR0  
DEDBJN21 DB21AR1  
DSP0180I NUMBER OF RECORDS LISTED IS 3

## DB (IMS) and related records

This sample shows the DB (IMS) and related records at the tracking site.

LIST.DB DBD(DBOHIDK5) DBDS  
14.154 15:11:53.621638 LISTING OF RECON PAGE 0002

-----  
DB  
DBD=DBOHIDK5 IRLMID=\*\*NULL DMB#=2 TYPE=IMS  
SHARE LEVEL=3 GSGNAME=\*\*NULL\*\* USID=0000000001  
AUTHORIZED USID=0000000000 RECEIVE USID=0000000000 HARD USID=0000000000  
RECEIVE NEEDED USID=0000000000  
DBRCVGRP=\*\*NULL\*\*  
FLAGS: COUNTERS:  
BACKOUT NEEDED =OFF RECOVERY NEEDED COUNT =0  
READ ONLY =OFF IMAGE COPY NEEDED COUNT =0  
PROHIBIT AUTHORIZATION=OFF AUTHORIZED SUBSYSTEMS =0  
RECOVERABLE =YES HELD AUTHORIZATION STATE=0  
EEQE COUNT =0  
RECEIVE REQUIRED COUNT =0  
TRACKING SUSPENDED =NO  
OFR REQUIRED =NO  
REORG INTENT =NO  
QUIESCE IN PROGRESS =NO  
QUIESCE HELD =NO  
-----

14.154 15:11:53.621638 LISTING OF RECON PAGE 0003

-----  
DBDS  
DSN=IMSTESTL.DBOHIDK5.CKXXI010 TYPE=IMS  
DBD=DBOHIDK5 DDN=CKOHIG10 DSID=001 DBORG=HIDAM DSORG=OSAM  
CAGRP=CAGRP2 GENMAX=2 IC AVAIL=0 IC USED=0 DSSN=00000000  
NOREUSE RECOVPD=0  
DEFLTJCL=\*\*NULL\*\* ICJCL=ICJCL OICJCL=OICJCL RECOVJCL=RECOVJCL  
RECVJCL=ICRCVJCL  
FLAGS: COUNTERS:  
IC NEEDED =OFF  
IC RECOMMENDED =ON  
RECOV NEEDED =OFF  
RECEIVE NEEDED =OFF EEQE COUNT =0  
-----

DSP0180I NUMBER OF RECORDS LISTED IS 2  
DSP0203I COMMAND COMPLETED WITH CONDITION CODE 00  
DSP0220I COMMAND COMPLETION TIME 14.154 15:11:54.055387  
IMS VERSION 14 RELEASE 1 DATA BASE RECOVERY CONTROL PAGE 0004

LIST.DB DBD(DHVNTZ02) DBDS  
14.154 15:11:53.621638 LISTING OF RECON PAGE 0005

-----  
DB  
DBD=DHVNTZ02 IRLMID=\*\*NULL DMB#=5 TYPE=IMS  
SHARE LEVEL=3 GSGNAME=IMSGSG1 USID=0000000003  
AUTHORIZED USID=0000000003 RECEIVE USID=0000000001 HARD USID=0000000003  
RECEIVE NEEDED USID=0000000000  
DBRCVGRP=RCVGRP1  
FLAGS: COUNTERS:  
BACKOUT NEEDED =ON RECOVERY NEEDED COUNT =0  
READ ONLY =OFF IMAGE COPY NEEDED COUNT =0  
PROHIBIT AUTHORIZATION=OFF AUTHORIZED SUBSYSTEMS =2  
RECOVERABLE =YES HELD AUTHORIZATION STATE=0  
DATABASE LEVEL TRACK =YES EEQE COUNT =0  
TRACKING SUSPENDED =NO RECEIVE REQUIRED COUNT =0  
OFR REQUIRED =NO  
REORG INTENT =NO  
QUIESCE IN PROGRESS =NO  
-----

QUIESCE HELD =NO

ASSOCIATED SUBSYSTEM INFORMATION:

-SSID-	-ACCESS INTENT-	ENCODED	B/O NEEDED	-STATE-	-COUNT-	-SS ROLE-
SYS3	EXCLUSIVE	7	1			TRACKING
SYS3	UPDATE	6	0			ACTIVE

14.154 15:11:53.621638 LISTING OF RECON PAGE 0006

DBDS  
 DSN=IMSTESTL.DHVNTZ02.FKXXI01E TYPE=IMS  
 DBD=DHVNTZ02 DDN=HIDAM DSID=001 DBORG=HIDAM DSORG=VSAM  
 CAGRP=\*\*NULL\*\* GENMAX=2 IC AVAIL=0 IC USED=1 DSSN=00000002  
 NOREUSE RECOVPD=0  
 DEFLTJCL=\*\*NULL\*\* ICJCL=ICJCL OICJCL=OICJCL RECOVJCL=RECOVJCL  
 RECVJCL=ICRCVJCL  
 FLAGS: COUNTERS:  
 IC NEEDED =OFF  
 RECOV NEEDED =OFF  
 RECEIVE NEEDED =OFF EEQE COUNT =0

ALLOC  
 ALLOC =14.154 15:57:24.467199 \* ALLOC LRID =0000000000000009  
 DSSN=0000000001 USID=0000000002 START = 14.154 15:57:24.075523

ALLOC  
 ALLOC =14.154 16:01:12.286502 \* ALLOC LRID =0000000000000225  
 DSSN=0000000002 USID=0000000003 START = 14.154 15:58:39.382777

IMAGE  
 RUN = 14.154 15:21:22.000000 \* RECORD COUNT =0  
 STOP = 00.000 00:00:00.000000 BATCH USID=0000000001

IC1  
 DSN=IMSTESTG.DHVNTZ02.HIDAM.BASE.IC FILE SEQ=0001  
 UNIT=SYSDA VOLS DEF=0001 VOLS USED=0001  
 VOLSER=IMSRW

RECOV  
 RUN = 14.154 15:21:35.332462 \* RUN USID = 0000000001  
 CMD

14.154 15:11:53.621638 LISTING OF RECON PAGE 0007

DBDS  
 DSN=IMSTESTL.DHVNTZ02.FKXXI02E TYPE=IMS  
 DBD=DHVNTZ02 DDN=HIDAM2 DSID=002 DBORG=HIDAM DSORG=VSAM  
 CAGRP=\*\*NULL\*\* GENMAX=2 IC AVAIL=0 IC USED=1 DSSN=00000000  
 NOREUSE RECOVPD=0  
 DEFLTJCL=\*\*NULL\*\* ICJCL=ICJCL OICJCL=OICJCL RECOVJCL=RECOVJCL  
 RECVJCL=ICRCVJCL  
 FLAGS: COUNTERS:  
 IC NEEDED =OFF  
 RECOV NEEDED =OFF  
 RECEIVE NEEDED =OFF EEQE COUNT =0

IMAGE  
 RUN = 14.154 15:21:22.000000 \* RECORD COUNT =0  
 STOP = 00.000 00:00:00.000000 BATCH USID=0000000001

IC1

DSN=IMSTESTG.DHVNTZ02.HIDAM2.BASE.IC FILE SEQ=0001  
 UNIT=SYSDA VOLS DEF=0001 VOLS USED=0001  
 VOLSER=IMSRW

RECOV  
 RUN = 14.154 15:21:35.425349 \* RUN USID = 000000001  
 CMD

DSP0180I NUMBER OF RECORDS LISTED IS 9

## DB (HALDB and PART) and related records

This sample shows the DB (HALDB and PART) and related records at the tracking site.

LIST.DB DBD(DBHDOK01) DBDS  
 14.154 15:31:50.553252 LISTING OF RECON PAGE 0002

-----  
 DB  
 DBD=DBHDOK01 DMB#=3 CHANGE#=5 TYPE=HALDB  
 SHARE LEVEL=3 GSGNAME=IMSGSG1  
 DBRCVGRP=\*\*NULL\*\*  
 PSNAME=\*\*NULL\*\* DBORG=PHDAM DSORG=OSAM CURRENT PARTITION ID=00004  
 FLAGS: COUNTERS:  
 RECOVERABLE =YES PARTITIONS =4  
 ONLINE REORG CAPABLE =YES DATA SET GROUP MEMBERS =1  
 ALTER COUNT =0  
 ALTER COMPLETE COUNT =0  
 -----

14.154 15:31:50.553252 LISTING OF RECON PAGE 0003

-----  
 DB  
 DBD=PDHDOKA MASTER DB=DBHDOK01 IRLMID=\*\*NULL\*\* CHANGE#=2 TYPE=PART  
 USID=0000000003 AUTHORIZED USID=0000000003 HARD USID=0000000002  
 RECEIVE USID=0000000002 RECEIVE NEEDED USID=0000000000  
 DSN PREFIX=IMSTESTS.DBHDOK01 PARTITION ID=00001  
 PREVIOUS PARTITION=\*\*NULL\*\* NEXT PARTITION=PDHDOKB  
 OLRMSID=\*\*NULL\*\* ACTIVE DBDS=A-J  
 REORG#=00000  
 ONLINE REORG STATISTICS:  
 OLR BYTES MOVED = 0  
 OLR SEGMENTS MOVED = 0  
 OLR ROOT SEGMENTS MOVED = 0

RANDOMIZER:  
 NAME=DFSHDC20 ANCHOR=3 HIGH BLOCK#=3 BYTES=25

FREE SPACE:  
 FREE BLOCK FREQ FACTOR=0 FREE SPACE PERCENTAGE=0

PARTITION HIGH KEY/STRING (CHAR): (LENGTH=5 )  
 K0200

PARTITION HIGH KEY/STRING (HEX):  
 D2F0F2F0F0

OSAM BLOCK SIZE:  
 A = 4096

FLAGS: COUNTERS:  
 BACKOUT NEEDED =OFF RECOVERY NEEDED COUNT =0  
 READ ONLY =OFF IMAGE COPY NEEDED COUNT =0  
 PROHIBIT AUTHORIZATION=OFF AUTHORIZED SUBSYSTEMS =2  
 HELD AUTHORIZATION STATE=0  
 DATABASE LEVEL TRACK =YES EEQE COUNT =0  
 TRACKING SUSPENDED =NO RECEIVE REQUIRED COUNT =0  
 OFR REQUIRED =NO OLR ACTIVE HARD COUNT =0  
 PARTITION INIT NEEDED =NO OLR INACTIVE HARD COUNT =0

```

OLREORG CURSOR ACTIVE =NO
PARTITION DISABLED   =NO
ONLINE REORG CAPABLE =YES
REORG INTENT         =NO
QUIESCE IN PROGRESS =NO
QUIESCE HELD        =NO
ALTER IN PROGRESS   =NO
PARTITION ALTERED   =NO

```

ASSOCIATED SUBSYSTEM INFORMATION:

```

          ENCODED B/O NEEDED
  -SSID-  -ACCESS INTENT- -STATE-  -COUNT-  -SS ROLE-
IMS1      UPDATE          6          0      ACTIVE
IMS2      EXCLUSIVE       7          0      TRACKING

```

-----  
14.154 15:31:50.553252 LISTING OF RECON PAGE 0004  
-----

```

DBDS
DSN=IMSTESTS.DBHDOK01.A00001 TYPE=PART
DBD=PDHDOKA DDN=PDHDOKAA DSID=001 DBORG=HDAM DSORG=OSAM
CAGRP=**NULL** GENMAX=2 IC AVAIL=0 IC USED=1 DSSN=00000002
NOREUSE RECOVPD=0 OTHER DDN=**NULL**
DEFLTJCL=**NULL** ICJCL=PICJCL OICJCL=POICJCL RECOVJCL=PRECOJCL
RECVJCL=PRECVJCL
FLAGS:
IC NEEDED =OFF
RECOV NEEDED =OFF
RECEIVE NEEDED =OFF
COUNTERS:
EEQE COUNT =0

```

-----  
ALLOC  
ALLOC =14.154 14:29:00.572375 \* ALLOC LRID =0000000000000025  
DSSN=0000000001 USID=0000000002 START = 14.154 14:28:58.240959

ALLOC  
ALLOC =14.154 14:50:14.168656 \* ALLOC LRID =00000000000001EA  
DSSN=0000000002 USID=0000000003 START = 14.154 14:49:34.095420

IMAGE  
RUN = 14.154 14:33:59.741138 \* RECORD COUNT =0  
STOP = 00.000 00:00:00.000000 BATCH USID=0000000002

IC1  
DSN=IMSVS.PDHDOKA.PDHDOKAA.IC.IC143353 FILE SEQ=0001  
UNIT=SYSDA VOLS DEF=0001 VOLS USED=0001  
VOLSER=222222

REORG  
RUN = 14.154 14:27:54.980289 \* USID = 0000000001  
REORG# = 00000

RECOV  
RUN = 14.154 14:36:48.121264 \* RUN USID = 0000000000

-----  
14.154 15:31:50.553252 LISTING OF RECON PAGE 0005  
-----

```

DBDS
DSN=IMSTESTS.DBHDOK01.L00001 TYPE=PART
DBD=PDHDOKA DDN=PDHDOKAL DSID=003 DBORG=INDEX DSORG=VSAM
FLAGS:
RECOV NEEDED =OFF
COUNTERS:
EEQE COUNT =0

```



DB  
DBD=PDHDOKB MASTER DB=DBHDOK01 IRLMID=NULL CHANGE#=3 TYPE=PART  
USID=0000000002 AUTHORIZED USID=0000000002 HARD USID=0000000001  
RECEIVE USID=0000000001 RECEIVE NEEDED USID=0000000000  
DSN PREFIX=IMSTESTS.DBHDOK01 PARTITION ID=00002  
PREVIOUS PARTITION=PDHDOKA NEXT PARTITION=PDHDOKC  
OLRIMSID=NULL\*\* ACTIVE DBDS=A-J  
REORG#=00000  
ONLINE REORG STATISTICS:  
OLR BYTES MOVED = 0  
OLR SEGMENTS MOVED = 0  
OLR ROOT SEGMENTS MOVED = 0

RANDOMIZER:  
NAME=DFSHDC20 ANCHOR=3 HIGH BLOCK#=3 BYTES=25  
FREE SPACE:  
FREE BLOCK FREQ FACTOR=0 FREE SPACE PERCENTAGE=0

PARTITION HIGH KEY/STRING (CHAR): (LENGTH=5 )  
K0400  
PARTITION HIGH KEY/STRING (HEX):  
D2F0F4F0F0

OSAM BLOCK SIZE:  
A = 4096

FLAGS:		COUNTERS:	
BACKOUT NEEDED	=OFF	RECOVERY NEEDED COUNT	=0
READ ONLY	=OFF	IMAGE COPY NEEDED COUNT	=0
PROHIBIT AUTHORIZATION	=OFF	AUTHORIZED SUBSYSTEMS	=2
		HELD AUTHORIZATION STATE	=0
DATABASE LEVEL TRACK	=YES	EEQE COUNT	=0
TRACKING SUSPENDED	=NO	RECEIVE REQUIRED COUNT	=0
OFR REQUIRED	=NO	OLR ACTIVE HARD COUNT	=0
PARTITION INIT NEEDED	=NO	OLR INACTIVE HARD COUNT	=0
OLREORG CURSOR ACTIVE	=NO		
PARTITION DISABLED	=NO		
ONLINE REORG CAPABLE	=YES		
REORG INTENT	=NO		
QUIESCE IN PROGRESS	=NO		
QUIESCE HELD	=NO		
ALTER IN PROGRESS	=NO		
PARTITION ALTERED	=NO		

ASSOCIATED SUBSYSTEM INFORMATION:

		ENCODED	B/O NEEDED	
-SSID-	-ACCESS INTENT-	-STATE-	-COUNT-	-SS ROLE-
IMS1	UPDATE	6	0	ACTIVE
IMS2	EXCLUSIVE	7	0	TRACKING

DBDS  
DSN=IMSTESTS.DBHDOK01.A00002 TYPE=PART  
DBD=PDHDOKB DDN=PDHDOKBA DSID=001 DBORG=HDAM DSORG=OSAM  
CAGRP=NULL\*\* GENMAX=2 IC AVAIL=0 IC USED=1 DSSN=00000001  
NOREUSE RECOVPD=0 OTHER DDN=NULL\*\*  
DEFLTJCL=NULL\*\* ICJCL=PI CJCL OICJCL=POICJCL RECOVJCL=PRECOJCL  
RECVJCL=PRECVJCL  
FLAGS: COUNTERS:  
IC NEEDED =OFF  
RECOV NEEDED =OFF  
RECEIVE NEEDED =OFF EEQE COUNT =0

ALLOC  
ALLOC =14.154 14:50:14.594648 \* ALLOC LRID =0000000000002E0  
DSSN=0000000001 USID=0000000002 START = 14.154 14:49:34.095420

IMAGE  
RUN = 14.154 14:34:05.244954 \* RECORD COUNT =0  
STOP = 00.000 00:00:00.000000 BATCH USID=0000000001

IC1  
DSN=IMSVS.PDHDOKB.PDHDOKBA.IC.IC143354 FILE SEQ=0001  
UNIT=SYSDA VOLS DEF=0001 VOLS USED=0001  
VOLSER=222222

RECOV  
RUN = 14.154 14:37:00.549320 \* RUN USID = 0000000000

14.154 15:31:50.553252 LISTING OF RECON PAGE 0008

-----  
DBDS  
DSN=IMSTESTS.DBHDOK01.L00002 TYPE=PART  
DBD=PDHDOKB DDN=PDHDOKBL DSID=003 DBORG=INDEX DSORG=VSAM  
FLAGS: COUNTERS:  
RECOV NEEDED =OFF EEQE COUNT =0

14.154 15:31:50.553252 LISTING OF RECON PAGE 0009

-----  
DB  
DBD=PDHDOKC MASTER DB=DBHDOK01 IRLMID=\*NULL CHANGE#=4 TYPE=PART  
USID=0000000002 AUTHORIZED USID=0000000002 HARD USID=0000000001  
RECEIVE USID=0000000001 RECEIVE NEEDED USID=0000000000  
DSN PREFIX=IMSTESTS.DBHDOK01 PARTITION ID=00003  
PREVIOUS PARTITION=PDHDOKB NEXT PARTITION=PDHDOKD  
OLRIMSID=\*NULL\*\* ACTIVE DBDS=A-J  
REORG#=00000  
ONLINE REORG STATISTICS:  
OLR BYTES MOVED = 0  
OLR SEGMENTS MOVED = 0  
OLR ROOT SEGMENTS MOVED = 0

RANDOMIZER:  
NAME=DFSHDC20 ANCHOR=3 HIGH BLOCK#=3 BYTES=25

FREE SPACE:  
FREE BLOCK FREQ FACTOR=0 FREE SPACE PERCENTAGE=0

PARTITION HIGH KEY/STRING (CHAR): (LENGTH=5 )

K0600

PARTITION HIGH KEY/STRING (HEX):

D2F0F6F0F0

OSAM BLOCK SIZE:

A = 4096

FLAGS: COUNTERS:  
BACKOUT NEEDED =OFF RECOVERY NEEDED COUNT =0  
READ ONLY =OFF IMAGE COPY NEEDED COUNT =0  
PROHIBIT AUTHORIZATION=OFF AUTHORIZED SUBSYSTEMS =2  
HELD AUTHORIZATION STATE=0  
DATABASE LEVEL TRACK =YES EEQE COUNT =0  
TRACKING SUSPENDED =NO RECEIVE REQUIRED COUNT =0  
OFR REQUIRED =NO OLR ACTIVE HARD COUNT =0  
PARTITION INIT NEEDED =NO OLR INACTIVE HARD COUNT =0  
OLREORG CURSOR ACTIVE =NO  
PARTITION DISABLED =NO

ONLINE REORG CAPABLE =YES  
 REORG INTENT =NO  
 QUIESCE IN PROGRESS =NO  
 QUIESCE HELD =NO  
 ALTER IN PROGRESS =NO  
 PARTITION ALTERED =NO

ASSOCIATED SUBSYSTEM INFORMATION:

-SSID-	-ACCESS INTENT-	ENCODED	B/O NEEDED	-STATE-	-COUNT-	-SS ROLE-
IMS1	UPDATE	6	0			ACTIVE
IMS2	EXCLUSIVE	7	0			TRACKING

-----  
 14.154 15:31:50.553252 LISTING OF RECON PAGE 0010  
 -----

DBDS  
 DSN=IMSTESTS.DBHDOK01.A00003 TYPE=PART  
 DBD=PDHDOKC DDN=PDHDOKCA DSID=001 DBORG=HDAM DSORG=OSAM  
 CAGRP=\*\*NULL\*\* GENMAX=2 IC AVAIL=0 IC USED=1 DSSN=00000001  
 NOREUSE RECOVPD=0 OTHER DDN=\*\*NULL\*\*  
 DEFLTJCL=\*\*NULL\*\* ICJCL=PICJCL OICJCL=POICJCL RECOVJCL=PRECOJCL  
 RECVJCL=PRECVJCL  
 FLAGS: COUNTERS:  
 IC NEEDED =OFF  
 RECOV NEEDED =OFF  
 RECEIVE NEEDED =OFF EEQE COUNT =0

ALLOC  
 ALLOC =14.154 14:50:14.970194 \* ALLOC LRID =00000000000003D8  
 DSSN=0000000001 USID=0000000002 START = 14.154 14:49:34.095420

IMAGE  
 RUN = 14.154 14:34:12.211171 \* RECORD COUNT =0  
 STOP = 00.000 00:00:00.000000 BATCH USID=0000000001

IC1  
 DSN=IMSVS.PDHDOKC.PDHDOKCA.IC.IC143354 FILE SEQ=0001  
 UNIT=SYSDA VOLS DEF=0001 VOLS USED=0001  
 VOLSER=222222

RECOV  
 RUN = 14.154 14:37:10.403153 \* RUN USID = 0000000000

-----  
 14.154 15:31:50.553252 LISTING OF RECON PAGE 0011  
 -----

DBDS  
 DSN=IMSTESTS.DBHDOK01.L00003 TYPE=PART  
 DBD=PDHDOKC DDN=PDHDOKCL DSID=003 DBORG=INDEX DSORG=VSAM  
 FLAGS: COUNTERS:  
 RECOV NEEDED =OFF EEQE COUNT =0

-----  
 14.154 15:31:50.553252 LISTING OF RECON PAGE 0012  
 -----

DB  
 DBD=PDHDOKD MASTER DB=DBHDOK01 IRLMID=\*\*NULL\*\* CHANGE#=5 TYPE=PART  
 USID=0000000003 AUTHORIZED USID=0000000003 HARD USID=0000000002  
 RECEIVE USID=0000000002 RECEIVE NEEDED USID=0000000000  
 DSN PREFIX=IMSTESTS.DBHDOK01 PARTITION ID=00004  
 PREVIOUS PARTITION=PDHDOKC NEXT PARTITION=\*\*NULL\*\*  
 OLRIMSID=\*\*NULL\*\* ACTIVE DBDS=A-J  
 REORG#=00000  
 ONLINE REORG STATISTICS:

OLR BYTES MOVED = 0  
OLR SEGMENTS MOVED = 0  
OLR ROOT SEGMENTS MOVED = 0

RANDOMIZER:  
NAME=DFSHDC20 ANCHOR=3 HIGH BLOCK#=3 BYTES=25  
FREE SPACE:  
FREE BLOCK FREQ FACTOR=0 FREE SPACE PERCENTAGE=0

PARTITION HIGH KEY/STRING (CHAR): (LENGTH=5 )  
ÿÿÿÿÿ  
PARTITION HIGH KEY/STRING (HEX):  
FFFFFFFFF

OSAM BLOCK SIZE:  
A = 4096

FLAGS:		COUNTERS:	
BACKOUT NEEDED	=OFF	RECOVERY NEEDED COUNT	=0
READ ONLY	=OFF	IMAGE COPY NEEDED COUNT	=0
PROHIBIT AUTHORIZATION	=OFF	AUTHORIZED SUBSYSTEMS	=2
		HELD AUTHORIZATION STATE	=0
DATABASE LEVEL TRACK	=YES	EEQE COUNT	=0
TRACKING SUSPENDED	=NO	RECEIVE REQUIRED COUNT	=0
OFR REQUIRED	=NO	OLR ACTIVE HARD COUNT	=0
PARTITION INIT NEEDED	=NO	OLR INACTIVE HARD COUNT	=0
OLREORG CURSOR ACTIVE	=NO		
PARTITION DISABLED	=NO		
ONLINE REORG CAPABLE	=YES		
REORG INTENT	=NO		
QUIESCE IN PROGRESS	=NO		
QUIESCE HELD	=NO		
ALTER IN PROGRESS	=NO		
PARTITION ALTERED	=NO		

ASSOCIATED SUBSYSTEM INFORMATION:

		ENCODED	B/O NEEDED	
-SSID-	-ACCESS INTENT-	-STATE-	-COUNT-	-SS ROLE-
IMS1	UPDATE	6	0	ACTIVE
IMS2	EXCLUSIVE	7	0	TRACKING

-----  
14.154 15:31:50.553252 LISTING OF RECON PAGE 0013  
-----

DBDS  
DSN=IMSTESTS.DBHDOK01.A00004 TYPE=PART  
DBD=PDHDOKD DDN=PDHDOKDA DSID=001 DBORG=HDAM DSORG=OSAM  
CAGRP=\*\*NULL\*\* GENMAX=2 IC AVAIL=0 IC USED=1 DSSN=00000002  
NOREUSE RECOVPD=0 OTHER DDN=\*\*NULL\*\*  
DEFLTJCL=\*\*NULL\*\* ICJCL=PIJCL OICJCL=POICJCL RECOVJCL=PRECOJCL  
RECVJCL=PRECVJCL  
FLAGS: COUNTERS:  
IC NEEDED =OFF  
RECOV NEEDED =OFF  
RECEIVE NEEDED =OFF EEQE COUNT =0  
-----

ALLOC  
ALLOC =14.154 14:29:01.828503 \* ALLOC LRID =00000000000073B  
DSSN=0000000001 USID=0000000002 START = 14.154 14:28:58.240959

ALLOC  
ALLOC =14.154 14:50:15.287501 \* ALLOC LRID =0000000000004D0  
DSSN=0000000002 USID=0000000003 START = 14.154 14:49:34.095420

IMAGE

RUN = 14.154 14:34:19.333362 \* RECORD COUNT =0  
STOP = 00.000 00:00:00.000000 BATCH USID=0000000002

IC1  
DSN=IMSVS.PDHDOKD.PDHDOKDA.IC.IC143354 FILE SEQ=0001  
UNIT=SYSDA VOLS DEF=0001 VOLS USED=0001  
VOLSER=222222

REORG  
RUN = 14.154 14:27:55.164049 \* USID = 0000000001  
REORG# = 00000

RECOV  
RUN = 14.154 14:37:22.544859 \* RUN USID = 0000000000

14.154 15:31:50.553252 LISTING OF RECON PAGE 0014

-----  
DBDS  
DSN=IMSTESTS.DBHDOK01.L00004 TYPE=PART  
DBD=PDHDOKD DDN=PDHDOKDL DSID=003 DBORG=INDEX DSORG=VSAM  
FLAGS: COUNTERS:  
RECOV NEEDED =OFF EEQE COUNT =0  
-----

DSP0180I NUMBER OF RECORDS LISTED IS 29

## DB (FP) and related records

This sample shows the DB (FP) and related records at the tracking site.

LIST.DB DBD(DEDBDD01) DBDS  
14.154 15:11:54.913524 LISTING OF RECON PAGE 0002

-----  
DB  
DBD=DEDBDD01 DMB#=7 TYPE=FP  
SHARE LEVEL=1 RANDOMIZER=\*\*NULL\*\*  
FLAGS: COUNTERS:  
RECOVERY NEEDED COUNT =0  
IMAGE COPY NEEDED COUNT =0  
PROHIBIT AUTHORIZATION=OFF AUTHORIZED AREAS =1  
RECOVERABLE =YES EEQE COUNT =0  
FULLSEG DEFAULT =NO ALTER COUNT =0  
-----

14.154 15:11:54.913524 LISTING OF RECON PAGE 0003

-----  
DBDS  
DBD=DEDBDD01 AREA=DD01AR0 TYPE=FP  
SHARE LEVEL=1 DSID=00001 DBORG=DEDB DSORG=VSAM  
GSGNAME=IMSGSG1 USID=0000000002  
AUTHORIZED USID=0000000000 RECEIVE USID=0000000000 HARD USID=0000000000  
RECEIVE NEEDED USID=0000000000  
CAGRP=\*\*NULL\*\* GENMAX=2 IC AVAIL=0 IC USED=0 DSSN=00000001  
NOREUSE RECOVPD=0 NOVSO PREOPEN NOPRELOAD NOFULLSG  
CFSTR1=\*\*NULL\*\* CFSTR2=\*\*NULL\*\* NOLKASID NOMAS  
DEFLTJCL=\*\*NULL\*\* ICJCL=ICJCL RECVJCL=ICRCVJCL RECOVJCL=RECOVJCL  
DBRCVGRP=\*\*NULL\*\*  
FLAGS: COUNTERS:  
PROHIBIT AUTHORIZATION=OFF AUTHORIZED SUBSYSTEMS =1  
HELD AUTHORIZATION STATE=0  
IC NEEDED =OFF ADS AVAIL # =1  
IC RECOMMENDED =ON  
RECOV NEEDED =OFF REGISTERED ADS # =1  
DATABASE LEVEL TRACK =YES EEQE COUNT =0  
RECEIVE NEEDED =OFF SHADOW ADS AVAIL # =0  
OFR REQUIRED =NO REGISTERED SHADOW ADS # =0  
TRACKING SUSPENDED =NO  
-----

```

HSSP CIC IN PROGRESS =NO
QUIESCE IN PROGRESS =NO
QUIESCE HELD         =NO
ALTER IN PROGRESS    =NO

```

ADS LIST:

```

-ADS DDN--ADS DSN-          CREATE
DD01AR0  IMSTESTL.DD01AR0  -STAT- -RUNNING-
AVAIL      NO

```

ASSOCIATED SUBSYSTEM INFORMATION:

```

-SSID-   -ACCESS INTENT-  ENCODED  -STATE-  -SS ROLE-
SYS3     UPDATE          6          ACTIVE
-----

```

```

ALLOC
ALLOC   =14.154 15:58:40.009295      * ALLOC LRID =00000000000001DF
DSSN=0000000001 USID=0000000002 START = 14.154 15:58:39.382777

```

DSP0180I NUMBER OF RECORDS LISTED IS 3

---

## Fields in a RECON listing, by record type

These topics describe the fields that can be present in a listing of the RECON data set by record type.

Subsections:

- "RECON record fields"
- "Log record fields" on page 471
- "LOGALL record fields" on page 473
- "Online log record fields" on page 474
- "GSG record fields" on page 475
- "SSYS record fields" on page 476
- "BACKOUT record fields" on page 477
- "CAGRP record fields" on page 478
- "CA record fields" on page 479
- "Data group record fields" on page 481
- "DB (IMS) record fields" on page 481
- "DB (HALDB) record fields" on page 483
- "DB (PART) record fields" on page 484
- "DB (Fast Path) record fields" on page 489
- "DBDS (non-Fast Path) record fields" on page 490
- "DBDS (Fast Path) record fields" on page 491
- "ALLOC record fields" on page 495
- "IMAGE record fields" on page 496
- "REORG record fields" on page 498
- "RECOV record fields" on page 499

## RECON record fields

A RECON record's fields and their corresponding line numbers are described in the table.

Table 21. Fields present in the RECON record

Record type	Line number	Field	Contents
RECON	1		
	2	RECOVERY CONTROL DATA SET, IMS VxRx	Identifies the version and release of the RECON data set.
	3	DMB# = <i>nnn</i>	Represents the value last assigned to a new database record. If the value equals 32,767, this value does not change and DMB numbers are being reused. Field LAST USED DMB# represents the last DMB number assigned.
		LAST USED DMB#= <i>nnn</i>	<i>nnn</i> represents the DMB number last assigned, if less than 32,767. If the DMB number has reached 32,767, <i>nnn</i> represents the last reused DMB. Only printed if greater than zero.
		INIT TOKEN= <i>token</i>	The token assigned to this RECON when it was initialized.
	4	FORCER   NOFORCER	Indicates whether databases must be registered in the RECON data set. FORCER indicates that all databases must be registered. NOFORCER indicates that all databases do not need to be registered.
		LOG DSN CHECK= <i>xxxxxx</i>	The type of log data set name checking; <i>xxxxxx</i> is CHECK17, CHECK44, or NOCHECK.
		STARTNEW= YES   NO	When I/O errors exist on one of the RECON data sets, YES indicates that new jobs are to start. NO indicates that no new jobs are to start.
	5	TAPE UNIT= <i>unittype</i>	The default unit type for log data sets, NOREUSE image copy data sets, and NOREUSE change accumulation data sets that reside on tape devices.
		DASD UNIT= <i>unittype</i>	The default unit type for log data sets, NOREUSE image copy data sets, and NOREUSE change accumulation data sets that reside on DASD devices.
		TRACEON   TRACEOFF	TRACEON indicates DBRC is to produce external GTF trace entries.
		SSID= <i>xxxxxxx</i>	The IMS subsystem default name.
	6	LISTDLOG= YES   NO	Indicates whether the names of log data sets deleted from RECON are to be listed.
		CA   IC   LOG DATA SETS CATALOGED= YES   NO	Indicates whether CA, IC, and log data sets are to be treated as if they are cataloged. To bypass volume serial checking of utility DD statements, specify YES and the data set is cataloged. If you specify NO (or the data set is not cataloged), volume serial checking takes place.

Table 21. Fields present in the RECON record (continued)

Record type	Line number	Field	Contents
	7	MINIMUM VERSION = <i>x.x</i>	Indicates the minimum version of IMS that is allowed to sign on using these RECON data sets.
		CROSS DBRC SERVICE LEVEL ID = <i>nnnnn</i>	Indicates that the maintenance that corresponds to the given value has been applied to all systems that access the RECON data set.
	8	REORG NUMBER VERIFICATION = YES   NO	Indicates whether HALDB partition reorganization number verification is enabled.
	9	LOG RETENTION PERIOD= <i>yy.ddd hh:mm:ss.t</i>	Indicates the minimum amount of time that DBRC is to keep log records in the RECON data set.
	10	COMMAND AUTH=SAF   EXIT   BOTH   NONE	Indication of the level of DBRC command authorization being performed.
		HLQ= <i>hlq name</i>	High level qualifier of the resource name used to determine command authorization. <b>**NULL**</b> is printed when command authorization is not enabled.
	11	RCNQUAL= <i>data_set_name</i>	A substring of the RECON COPY1 data set name, which will be used in future access attempts on the RECON to determine whether the data set is a copy and whether command authorization should be enforced.
	12	TRACE OPTIONS= <i>options</i>	This line is printed only if an IBM representative has instructed you to gather documentation for problem analysis. It indicates that an IBM representative has provided instructions to enable DBRC trace records to be written to the DBRC trace table for problem analysis. The IBM representative will have provided the options.
	13	CATALOG= <i>catalog_name</i>	Name of the IMS catalog from which to retrieve the database definitions. <b>**NULL**</b> is printed when an IMS catalog is not used and the database definitions are retrieved from the DBDLIB data set.
	14	ACCESS=SERIAL   PARALLEL	The access mode for the RECON data set, either SERIAL access using RESERVE serialization or PARALLEL access using record-level locking.
		LIST=STATIC   CONCURR	The default option for LIST commands with parallel RECON access. It can be overridden by the STATIC   CONCURR keyword on the LIST.xxxxxxxx command. It has no meaning for serial RECON access (ACCESS=SERIAL).



Table 21. Fields present in the RECON record (continued)

Record type	Line number	Field	Contents
	15	SIZALERT= xxxxxxxx xxxxxxxx xx	<p>The (optional) thresholds that trigger messages to warn you that a record has grown unnaturally large. Field values can be <i>dsnum</i>, <i>volnum</i> and <i>percent</i>.</p> <p>The <i>dsnum</i> and <i>volnum</i> values apply only to the PRILOG-family records. Given the 16 MB maximum allowable size of a PRILOG record, for practical purposes, <i>dsnum</i> and <i>volnum</i> are obsolete.</p>
	16	LOGALERT= xxxxxxxx xxxxxxxx	<p>The (optional) threshold that triggers the DSP0287W message (warning you when you just have time to shut down an online IMS subsystem before it ends abnormally because the PRILOG record exceeds RECORDSIZE). Field values can be <i>dsnum</i> and <i>volnum</i>.</p> <p>Given the 16 MB maximum allowable size of a PRILOG record, for practical purposes, LOGALERT is obsolete.</p>
The following line is printed only if a failure occurred during a multiple update to the RECON:			
	17	UPDATE TYPE= <i>nnnn</i>	The type of multiple update that was in progress.
		DBID= xxxxxxxx xxxxxxxx	Data set name and data set ddname of the DBDS involved in the multiple update. Can be blank.
		CAGRP= xxxxxxxx	Name of the CA group involved in the multiple update. Contains blanks if no group was involved.
		NEW DDN= xxxxxxxx	New ddname, if any, that was associated with the DBDS that was involved in the multiple update. Contains blanks if no new name or DBDS was involved.
	18	OLD RECORD KEY	This field is printed only if the multiple update involves a key change.
	19	KEY TYPE= *xxxxx	A description of the record type. The asterisk (*) is printed only if the record is available for future use (it is either new or scheduled for reuse). Whenever an unrecognizable record key type is found, BADTYP.KEY is printed, together with the key in hexadecimal characters.
		DBD= xxxxxxxx, DDN= xxxxxxxx	The database name and data set ddname of a DBDS. If the record is PRILOG, SECLOG, IPRI, or ISEC, the fields are printed as **NULL**. If the record is a CAGRP or DB record, the DBD field is **NULL**, and the DDN field contains the name of the CA group or database.
		TIME= <i>time_stamp</i>	The time stamp of the key of the record.

Table 21. Fields present in the RECON record (continued)

Record type	Line number	Field	Contents
	20-21	NEW RECORD KEY	This field is printed only if a new record key is being added. The additional fields that are printed for this part of the record are similar to the fields that are printed for OLD RECORD KEY.
	22-23	BASE RECORD KEY	This field is printed only if a new record key is being changed. The additional fields that are printed for this part of the record are similar to the fields that are printed for OLD RECORD KEY.
	24-25	SSID= <i>ssidname</i> IRLMID= <i>irlmidname</i> SHARE LVL #= <i>n</i> #DB= <i>n</i> B/O#= <i>n</i>	Information about the multiple update.
	26	FLAGS:	A heading for the following lines.
	27	RECOV= ON   OFF NORECOV= ON   OFF ICON= ON   OFF ICOFF= ON   OFF	Information about the multiple update.
	28	NORMAL= ON   OFF ABNORMAL= ON   OFF STARTRCV= ON   OFF ENDRECOV= ON   OFF	Information about the multiple update.
	29	READON= ON   OFF READOFF= ON   OFF AUTH= ON   OFF NOAUTH= ON   OFF	Information about the multiple update.
	30	B/O DONE= ON   OFF PASS 1= ON   OFF BACKOUT= ON   OFF SHARELVL= ON   OFF	Information about the multiple update.
	31	TIME STAMP INFORMATION:	Heading for section containing RECON time stamp information.
	32	TIMEZIN= <i>offset</i>	User-specified input time stamp offset default. If no offset is specified, this field displays %SYS meaning that the offset of the z/OS clock is to be used.
		-LABEL- -OFFSET-	These column headings are printed if a Time Zone Label Table has been defined.
	33- <i>nnn</i>	<i>label offset</i>	The list of defined time zone offset labels with their corresponding offset values.
	34	OUTPUT FORMAT: DEFAULT= <i>offset display form yearsize</i>	Time-stamp output format settings. Default time-stamp output format settings.
	35	CURRENT= <i>offset display form yearsize</i>	The current time-stamp output format settings.
	36	IMSPLEX= <i>imsplex_name</i> , GROUP ID= <i>group_ID</i>	The IMSplex name and the DBRC group identifier associated with the RECON data set.
	37	-DDNAME- -STATUS- -DATA SET NAME-	Column headings for the following one to three lines.

Table 21. Fields present in the RECON record (continued)

Record type	Line number	Field	Contents
	38	RECON1   RECON2   RECON3 COPY1 <i>dsname</i>	The ddname, status, and data set name of the Copy1 RECON.
	39-40	RECON1   RECON2   RECON3   COPY2   DISCARDED   SPARE   UNAVAILABLE <i>dsname</i> or blank	These lines identify the ddname, status, and data set name of the RECON backup (Copy2), the RECON spare, and any RECON data sets that are not usable (DISCARDED). A RECON data set that could not be accessed is shown as UNAVAILABLE (unknown dsname and status).
	41	NUMBER OF REGISTERED DATABASES: <i>x</i>	The number of databases that are registered to DBRC.

## Log record fields

A log record's fields, including types, and their corresponding line numbers are described in the table.

Table 22. Fields present in a log record

Record type	Line number	Field	Contents
PRILOG or SECLOG or PRISLD or SECSLD or IPRI or ISEC or IPRISL or ISECSL or PRITSLDS or SECTSLDS or IPRITSLD or ISECTSLD	1		
		RECORD SIZE= <i>nnnnnn</i>	The logical record size for PRILOG, SECLOG, PRISLD, SECSLD, PRITSLDS, and SECTSLDS records. This field is not present for other log record types.
	2	START= <i>time_stamp</i> *	Time stamp of the start time (that is, original open time) of the log data set. An asterisk (*) indicates that this time stamp is part of the record key.
		SSID= <i>ssidname</i>	The name of the IMS subsystem.
		VERSION= <i>version</i>	The version of the IMS subsystem that created the log.
	3	STOP= <i>time_stamp</i>	Time stamp of the stop time (that is, close time) of the log data set. Zeros indicate that the data set is still open.
		#DSN= <i>nn</i>	The number of data sets in the log data set. A value of zero indicates that no data set has been created.

Table 22. Fields present in a log record (continued)

Record type	Line number	Field	Contents
		BPE	Appears when the IMS subsystem that created the log is using a DBRC BPE environment.
	4	GSGNAME= <i>gsgname</i>	Identifies the name of the GSG to which the subsystem producing this log belongs.
The following 4 fields are printed if the condition in the contents column is true:			
		TRACKING	This log data set was originally created by an active IMS subsystem of the nonlocal service group and transported to the tracking site.
		GAP	There is a gap in the log data sets of this record.
		PREV-GAP	There is a gap in a previous log record of the same global service group.
		BBO	Identifies the log record as it was created by batch backout. If the record was not created by batch backout, this field is blank.
The following field is listed only for PRILOG records:			
		NORMAL TERM	Indicates that the log has gone through normal termination.
	5	FIRST RECORD ID= <i>lsn</i>	The log record sequence number of the first log record that was written during initialization of the IMS subsystem.
		PRILOG TOKEN= <i>n</i>	The numeric log token assigned sequentially to PRILOG records for the same GSG.
	6	EARLIEST CHECKPOINT= <i>time_stamp</i>	This line is printed only for online PRILOGs. It indicates the earliest checkpoint required by IMS emergency restart (/ERE or /ERE BUILDQ).
Rows 7-13 apply to active log records and repeat for each log data set. Rows 7-10 apply to tracking records and repeat for each log data set.			
	7	DSN= <i>log.dsname</i>	The data set name of the log data set described in this record. ****COMPRESSED DATA SET **** indicates that PRILOG compression has removed unneeded DSN entries.
		ERR	This field is printed if a previous command was used to indicate that an error exists in the log data set.
		UNIT= <i>unittype</i>	Unit type to be used for substitution during the GENJCL process.
	8	START= <i>time_stamp</i>	Start time of the data set entry in the log data set.
		FIRST RECORD LSN= <i>lsn</i>	The log record sequence number of the first log record of the data set.
	9	STOP= <i>time_stamp</i>	Stop time of the data set entry in the log data set. Zeros indicate that the data set is still open.
		LAST RECORD LSN= <i>lsn</i>	The log record sequence number of the last log record of the data set.
	10	FILE SEQ= <i>nnnn</i>	The file sequence number of the log data set. This field is not printed for tracking logs.
		#VOLUMES= <i>nnn</i>	The number of volumes for each data set entry. This field is not printed for tracking logs.

Table 22. Fields present in a log record (continued)

Record type	Line number	Field	Contents
		#DS CHECKPOINTS= <i>n</i> CHKPT ID= <i>time_stamp</i>	Count of checkpoint records in the log data set, and the checkpoint ID value. This field is printed only for tracking logs.
		CHECKPOINT TYPES= <i>xx</i> SIMPLE= Y   N SNAPQ = Y   N DUMPQ = Y   N PURGE = Y   N FREEZE = Y   N	This line is printed only for SLDS records. <i>xx</i> is a hexadecimal representation of the checkpoint types contained on the log. The values for <i>xx</i> can be:  <b>Bit 0</b> Simple checkpoint <b>Bit 1</b> SNAPQ checkpoint <b>Bit 2</b> DUMPQ checkpoint <b>Bit 3</b> PURGE checkpoint <b>Bit 4</b> FREEZE checkpoint <b>Bit 5 - 7</b> Not used For more information, see the note that follows this table.
	11 (ACTIVE)	VOLSER= <i>volser</i> STOPTIME= <i>time_stamp</i>	Volume serial number and stop time. This field is not printed for tracking logs.
	12 (ACTIVE)	CKPTCT= <i>n</i> CHKPT ID= <i>time_stamp</i>	Checkpoint count and ID value.
	13 (ACTIVE)	LOCK SEQUENCE # =	A unique number, issued sequentially, given to a database resource to identify that it is in locked by a requestor. A locked resource cannot be used until the current requestor has finished using it.
		FEOV	Indicates that the corresponding log data set at the active site was closed by a /DBR with the forced end of volume option. This field is printed only for tracking PRILOGs.

**Note:** DBRC sets the CHECKPOINT TYPES bit values and also sets the Y or N values. Y is set if at least one checkpoint of the given type starts on the data set. There could be more than one checkpoint on the log and there is no guarantee that there is a complete checkpoint on the log. The number of checkpoints listed on the CHECKPOINT TYPES line might not be the same number that is listed as the CKPTCT value. For example, there could be three simple checkpoints on a log. Only SIMPLE=Y would be displayed and CKPTCT or #DS CHECKPOINTS would have a value of two. CKPTCT or #DS CHECKPOINTS would have a value of two because that is the maximum allowed.

## LOGALL record fields

A log allocation record's fields and their corresponding line numbers are described in the table.

Table 23. Fields present in the LOGALL record

Record type	Line number	Field	Contents
LOGALL	1		
	2	START= <i>time_stamp</i> *	The start time of the log data set that contains change records for DBDSs included in this record. If the asterisk (*) is present, it indicates that this time stamp also occurs in the key of the LOGALL record.

Table 23. Fields present in the LOGALL record (continued)

Record type	Line number	Field	Contents
	3	EARLIEST ALLOC TIME= <i>time_stamp</i>	The start time of the oldest DBDS allocation for the log. The ALLOC record with the earliest allocation time is for the DBDS that is listed first in the following lines. If there are no DBDS allocations for the log, zeroes are displayed.
	4	DBDS ALLOC= <i>nnnn</i>	The number of allocated DBDSs for this log data set.
		-DBD- -DDN- -ALLOC-	These headings are printed only if the LOGALL record contained records of each DBDS that was allocated between the start and stop time stamps of the log data set. The DBDSs are listed in order of their earliest ALLOC time, starting with the DBDS with the oldest allocation.
	5- <i>nnn</i>	<i>dbdname ddname nnnn</i>	The database name, data set <i>ddname</i> , and number of allocations of the DBDS during the time span of the allocated log.

## Online log record fields

An online log record's fields and their corresponding line numbers are described in the table.

Table 24. fields present in an online log record

Record type	Line number	Field	Contents
PRIOLD or SECOLD or IPRIOL or ISECOL	1		
	2	SSID= <i>xxxxxxxx</i>	The name of the IMS subsystem.
		# DD ENTRIES= <i>n</i>	The number of <i>ddnames</i> in the OLDS.
	3	EARLIEST CHECKPOINT= <i>time_stamp</i>	This line is printed only for PRIOLD records. It indicates the earliest checkpoint required by IMS emergency restart (/ERE or /ERE BUILDQ).
	4	DDNAME= <i>ddname</i>	The <i>ddname</i> of the OLDS.
		DSN=log- <i>dsname</i>	The data set name of the OLDS.
	5	START= <i>time_stamp</i>	Time stamp of the start time (that is, original open time) of the log data set.
		FIRST DS LSN= <i>lsn</i>	The log record sequence number of the first log record of the data set.
	6	STOP= <i>time_stamp</i>	Time stamp of the stop time (that is, close time) of the log data set. Zeros indicate that the data set is not closed.
		LAST DS LSN= <i>lsn</i>	The log record sequence number of the last log record of the data set.
	7	STATUS= ARC NEEDED   ARC STARTED   ARC SCHED   ARC COMPLT   ACTIVE	The status of the DD entry in the OLDS record. This field applies to the PRIOLDS record only.

Table 24. fields present in an online log record (continued)

Record type	Line number	Field	Contents
		ERROR= CLOSE   PREV	Indicates a close error on an OLDS or on a previous OLDS record. This field applies to the PRIOLDS record only.
		FEOV= YES   NO	A specification of FEOV=YES forces an end-of-output data set at the end of archiving DFSOLP02. This is done to conform to the recovery point established by the /DBR command. This field applies to the PRIOLDS record only.
		AVAIL   UNAVAIL	Identifies whether the OLDS is available for regular use. UNAVAIL indicates that the data set has invalid data or an I/O error. This field applies to PRIOLDS or SECOLDS records only.
	8	PRILOG TIME= <i>time_stamp</i>	Time stamp of the time of the first OLDS the subsystem used. This is also the start time of the PRILOG and PRISLD records corresponding to the subsystem invocation.
		ARCHIVE JOB NAME= <i>jobname</i>	Name of the archive job generated by the GENJCL ARCHIVE function.
	blank line		These blank lines are printed as visual separators only when the OLDS has more than one DD entry. The format of each data set entry is a repetition of lines 4 through 8 above.

## GSG record fields

A global service group record's fields and their corresponding line numbers are described in the table.

Table 25. Fields present in a GSG record

Record type	Line number	Field	Contents
GSG	1		
	2	GSGNAME= <i>gsgname</i>	Identifies the name of the GSG.
		#SGS=	The number of service groups in this GSG.
		-SGNAME- -ROLE-	Headings for the following lines 3 through 10.
	3-4	<i>sgnamesgrole</i>	Service group name and service group role (active or tracking).
		LOCAL	Identifies which service group is the local one of the GSG.
	5	CURRENT PRILOG TOKEN= <i>token</i>	The highest PRILOG token at the local site of this GSG.
		TAKEOVER TOKEN= <i>token</i>	The current PRILOG token at the time an RSR takeover was initiated at the local site.
	6	MINIMUM PRILOG TOKEN= <i>token</i>	The minimum PRILOG that is maintained at the local site of the GSG.
		DSN SEQ NUMBER= <i>number</i>	The initial DSN sequence number value for the GSG group.
	7	START TIME OF CURRENT LOG= <i>time_stamp</i>	The start time of the PRILOG with the current log token.

Table 25. Fields present in a GSG record (continued)

Record type	Line number	Field	Contents
	8	HIGHEST ACTIVE SITE TIME= <i>time_stamp</i>	The highest time received from the active site. This field is only meaningful to the tracking site.
	9	TRACKING SUBSYSTEM ID= <i>ssid</i>	Subsystem identification of the tracking subsystem. This field is null at the active site.
	10	TAKEOVER IN PROGRESS	This is printed when an RSR takeover has been initiated at the local site.

## SSYS record fields

A subsystem record's fields and their corresponding line numbers are described in the table.

Table 26. Fields present in a SSYS record

Record type	Line number	Field	Contents
SSYS	1		
	2	SSID= <i>ssidname</i>	The name of the IMS subsystem.
		LOG START= <i>time_stamp</i>	The earliest log data set start time associated with this system or the log data set start time created by batch backout.
		BPE	Indicator for an online subsystem that uses a BPE-based DBRC. Nothing is displayed for a subsystem that uses a non-BPE DBRC.
	3	SSTYPE= ONLINE   BATCH   DBRCAPI   TRACKER	Indicates whether this is an IMS online, batch, DBRC API, or IMS tracking subsystem.
		ABNORMAL TERM= ON   OFF	The value of this flag field is normally OFF. If it is ON, the system has been abnormally ended and database recovery is required.
		RECOVERY STARTED= YES   NO	If the value of this field is YES, this subsystem has signed on for recovery-started processing. Normally, this value is NO.
		BACKUP= YES   NO	If the value of this field is YES, there is an alternate subsystem.
	4	TRACKED= YES   NO	Indicates whether this is the record of an active subsystem being tracked by the tracking site.
		TRACKER TERM= ON   OFF	Indicates whether the tracking subsystem has terminated. This field only applies to the tracking subsystem record.
		SHARING COVERED DBS= YES   NO	Indicates that this active subsystem is sharing RSR-covered databases.
	5	IRLMID= <i>xxxxxx</i>	The IRLM with which this subsystem is communicating.
		IRLM STATUS= NORMAL   IRLM FAILURE   COMM FAILURE   SYS FAILURE	Indicates the status of the IRLM. NORMAL indicates no failure. This field does not apply to an RSR tracking subsystem.



Table 26. Fields present in a SSYS record (continued)

Record type	Line number	Field	Contents
		GSG NAME= <i>gsgname</i>	Identifies the name of the global service group to which the subsystem belongs.
	6	BACKUP IRLMID= <i>irlmname</i>	Identifies the IRLM with which the alternate subsystem is communicating. Listed only if an alternate subsystem exists.
		BACKUP TOKEN= <i>nnnn</i>	Identifies the backup token. Listed only if an alternate subsystem exists.
		COEXISTENCE LEVEL= <i>n</i>	Identifies the highest IMS release level RECON in which this IMS subsystem may coexist.
	7	AUTHORIZED DATABASES   AREAS= <i>nnn</i>	Indicates that this subsystem is currently authorized to <i>n</i> databases or areas.
	8	VERSION= <i>n</i>	Identifies the IMS release level through which the subsystem signed on.
		XRF CAPABLE=NO YES	Identifies if the subsystem is XRF capable.
If the number of authorized databases or areas is not zero, the following lines (up to the BACKOUT record line) list those that are currently authorized:			
	9-10	-DBD- -AREA- -LEVEL- -ACCESSINTENT- ENCODED -STATE-	Column headings for the following line or lines that describe the currently authorized databases or areas.
	11- <i>nnn</i>	<i>dbdname areaname sharelvl access encoded state</i>	This is the name of the database or area that is currently authorized by this subsystem, the share level, the access intent by this subsystem, and the encoded state.

## BACKOUT record fields

A backout record's fields and their corresponding line numbers are described in the table.

Table 27. Fields present in a BACKOUT record

Record type	Line number	Field	Contents
BACKOUT	1		
	2	SSID= <i>xxxxxxxx</i>	The name of the associated IMS subsystem.
		#UORS= <i>nn</i>	The number of units of recovery (UORs) in the BACKOUT record.
	3	RECOVERY TOKEN= 32 <i>hexadecimal digits</i>	Describes a specific UOR.
	4	TIME= <i>time_stamp</i>	The time stamp of the beginning of the UOR (found in the X'5607' log record).
		PSB= <i>psbname</i>	Name of the PSB associated with the UOR.

Table 27. Fields present in a BACKOUT record (continued)

Record type	Line number	Field	Contents
	5	CANDIDATE INFLT   INDT BMP COLDEND CMD BATCH	UOR indicators, one or more of which might be listed. CANDIDATE: UOR identified by BBO utility prior to restart (COLDSTART   ACTIVE control statement). Reset (to null) when promoted to backout-needed status by IMS restart. INFLT, In-flight UOR due to an IMS failure. INDT, In-doubt UOR due to a CCTL or DBCTL failure. BMP, UOR due to a BMP. COLDEND, Cold start has ended. UOR can only be resolved by BBO. CMD, UOR entry has been modified by commands (CHANGE, DELETE, NOTIFY). BATCH, UOR due to a dynamic backout failure of DL/I batch.
	6	ASSOCIATED DATABASES= <i>nn</i>	Number of databases associated with the UOR.
	7, 8	BACKED DYN BKOUT -DBD- -OUT- -FAILURE	Heading for the following list of associated databases.
	9- <i>nnn</i>	<i>dbname</i> YES   NO YES   NO	Database name. The first YES or NO indicates whether the UOR has been backed out for the database. The second YES or NO indicates whether the UOR is the result of a dynamic backout failure.

## CAGRP record fields

A change accumulation group record's fields and their corresponding line numbers are described in the table.

Table 28. Fields present in a CAGRP record

Record type	Line number	Field	Contents
CAGRP	1		
	2	GRPNAME= <i>cagrpnam</i> GRPMAX= <i>nnnn</i>	The name of the CA group. The maximum number of change accumulation run records that can be associated with this group, whether available or in use.
		CA AVAIL= <i>nnnn</i>	The number of available change accumulation run records currently in the RECON data set for this group.
		CA USED= <i>nnnn</i>	The number of in-use change accumulation run records currently in the RECON data set for this group.
	3	REUSE   NOREUSE	Indicates whether change accumulation data sets can be reused and whether empty ones can be created for subsequent use (REUSE) or not (NOREUSE).
		CAJCL= <i>cajclmem</i>	The name of the member of a partitioned data set that contains skeletal JCL for this CA group.
		DEFLTJCL= <i>member</i>	The name of the member of a partitioned data set. This member contains the skeletal JCL default values for the user-defined keywords to be used for this CA group.

Table 28. Fields present in a CAGRP record (continued)

Record type	Line number	Field	Contents
		RECOVPD= <i>value</i>	The number of days before the current date for which DBRC maintains change accumulation information in the RECON data set.
	4	#MEMBERS= <i>nnnn</i>	This number of DBDSs and areas that belong to this CA group.
		-DBD- -DDN-	These headings and the following lines are printed only if some DBDSs are members of this group.
	5- <i>nnn</i>	dbdname ddname	The database name and data set ddname of a DBDS that is a member of this CA group.

## CA record fields

A change accumulation record's fields and their corresponding line numbers are described in the table.

Table 29. Fields present in a CA record

Record type	Line number	Field	Contents
CA	1		
	2	*DSN= <i>chge.accum.dsname</i>	An asterisk is printed if the change accumulation data set identified in this record is available for use. DSN= is the change accumulation data set name that has been or could be used as the output data set during a run of the Database Change Accumulation utility.
		FILE SEQ= <i>nnnn</i>	The file sequence number of the first volume of this data set.
	3	CAGRP= <i>cagrpname</i>	Name of the CA group to which the change accumulation record belongs.
		UNIT= <i>unittyp</i>	Unit type to be used for substitution during the GENJCL process.
	4	CREATE   STOP= <i>time_stamp</i> *	CREATE is printed if the data set is available for future use. In this case, the time stamp is the time that the record was created or made available for recycling. STOP is printed for in-use records. In this case, the time stamp is the stop time of the last log volume that was processed by the Database Change Accumulation utility. If SUBSET is printed (see line 6), the time stamp is the start time of the first unselected log. The asterisk (*) indicates that this time stamp is in the record key.
		VOLS DEF= <i>nnnn</i> VOLS USED= <i>nnnn</i>	The number of volumes that have been specified for use by this change accumulation data set and the number of volumes that were used in a Database Change Accumulation utility run. For available change accumulation data sets, if the data set can be reused, this field contains the same value as the VOLS DEF field. Otherwise, it indicates the number of volumes that were actually used.

Table 29. Fields present in a CA record (continued)

Record type	Line number	Field	Contents
	5- <i>nnn</i>	VOLSER= <i>volser1, volser2,...</i>	Volume serial numbers of the volumes on which the change accumulation data set resides or is to reside. Only as many lines as necessary are used to list the volume.
The following lines are printed only if the change accumulation data set has been used during a run of the Change Accumulation utility (the change accumulation data set is no longer available):			
	6	RUN= <i>time_stamp</i>	This time stamp represents the time of the run of the Change Accumulation utility during which this record was used.
		ERR	This indicates that you have marked the change accumulation data set as unusable because of a previous error.
		SUBSET	This indicates that a subset of logs were processed when the CA was created.
		*	The asterisk (*) indicates that COMP or SUBSET were specified in the CHANGE.CA or NOTIFY.CA commands.
		PITCA	This indicates that the CA was created outside of IMS. This indicator is always accompanied by the ERR indicator so that this CA is unusable to any other IMS utility functions.
	7	USERDATA= <i>user_data</i>	Listed only if user data is provided.
These headings are printed only if purge times exist in the record. If purge times exist, there is one line in the format labeled below (8-11) for each DBDS in the CA group.			
	8	DBD= <i>dbdname</i> DDN= <i>ddname</i>	The database name and data set ddname of the DBDS.
		PURGETIME= <i>time_stamp</i>	Change records occurring before this time stamp for the corresponding DBDS have been ignored by the Database Change Accumulation utility.
	9	CHANGES ACCUMULATED= YES   NO	YES is printed if the Database Change Accumulation utility run accumulated any changes for the corresponding DBDS. NO is printed if no changes were found for DBDS.
		COMPLETE CA= YES   NO	YES is printed if the log subset for the corresponding DBDS is complete. NO is printed if the log subset for the DBDS is incomplete.
		INDOUBT EEQES= YES   NO	YES is printed to indicate that in doubt EEQEs were accumulated for the corresponding DBDS. NO is printed if no in doubt EEQEs were accumulated.
	10	LSN= <i>lsn</i>	The lock sequence number of the last change accumulated for the DBDS is listed.
		DSSN= <i>dssn</i>	The data set sequence number of the last change accumulated for the DBDS is listed.
	11	LRID= <i>log_record_ID</i>	The last log record ID of the last change accumulated for the DBDS is listed in this field.
		USID= <i>update_set_ID</i>	The last update set ID of the last change accumulated for the DBDS is listed in this field.

## Data group record fields

A database data group record's fields and their corresponding line numbers are described in the table.

Table 30. Fields present in the DBDSGRP record

Record type	Line number	Field	Contents
DBDSGRP DBGGRP or RECOVGRP	1		Type of group: DBDS, DB, or Recovery.
	2	GRPNAME= <i>grpname</i>	Name of the group.
		#MEMBERS= <i>nnn</i>	Number of members belonging to the group.
		-DBD- -DDN/AREA- -DBD/AREA- or -DBD- -AREA-	Any or all of these headings can be printed, depending on the group members that exist. For DBDS groups, the heading is -DBD- -DDN/AREA-. For DB groups, the heading is -DBD/AREA-. For recovery groups, the heading is -DBD- -AREA-.
	3- <i>nnn</i>	<i>dbdname ddname/areaname</i>	For DBDSGRP, <i>dbdname</i> = DB name, <i>ddname/areaname</i> = DBDS name or area name. For DBGGRP, <i>dbdname</i> = DL/I DB name or DEDB area name. <i>ddname/areaname</i> is blank. For RECOVGRP, <i>dbdname</i> = DB name, <i>ddname/areaname</i> = area name if DB is a DEDB, or blank if DB is DL/I.

## DB (IMS) record fields

An IMS database record's fields and their corresponding line numbers are described in the table.

Table 31. Fields present in the DB (IMS) record

Record type	Line number	Field	Contents
DB (IMS)	1		
	2	DBD= <i>dbdname</i>	Name of the database.
		IRLMID= <i>xxxxx</i>	Identifies the IRLM when the share level of this database is 2. This field is printed only when SHARE LEVEL=2.
		DMB#= <i>nnn</i>	The value assigned when this database was registered.
		TYPE= IMS	Indicates that this is a DL/I database (rather than a Fast Path DEDB).
	3	SHARE LEVEL= <i>n</i>	The level of data sharing for which authorized subsystems can share this database.
		GSGNAME= <i>gsgname</i>	Identifies the name of the GSG to which this database belongs.
		USID= <i>n</i>	The highest update set identifier for this database.
	4	AUTHORIZED USID= <i>n</i>	The identifier of the current update set that is being applied to the database.
		RECEIVE USID= <i>n</i>	The update set identifier of the last image copy received for this database. The update set ID only applies to shadow databases at the tracking site.

Table 31. Fields present in the DB (IMS) record (continued)

Record type	Line number	Field	Contents
		HARD USID= <i>n</i>	The update set identifier of the latest changes that were written to the database.
	5	RECEIVE NEEDED USID= <i>n</i>	This only applies to shadow databases at the tracking site. If <i>n</i> is not zero, this indicates that image copies with the identified USID are required for the DBDSs marked "receive needed".
	6	DBRCVGRP= <i>rcvgrpnm</i>	The name of the recovery group to which this database belongs, if any. Otherwise, **NULL** is printed.
	7	FLAGS: COUNTERS:	This heading line is printed for lines 8 through 14, which describe the status of this database.
	8	BACKOUT NEEDED= ON   OFF	This flag indicates whether this database needs to be backed-out by any subsystem.
		RECOVERY NEEDED COUNT= <i>n</i>	This counter is the number of DBDSs that are associated with this database that need to be recovered. The printed output of the DBDS record indicates which DBDSs need recovery.
	9	READ ONLY= ON   OFF	Indicates whether this database can be authorized for read processing only, or authorized for read and update processing.
		IMAGE COPY NEEDED COUNT= <i>n</i>	A count of how many DBDSs that are associated with this database require an image copy or forward recovery. The printed output of the DBDS records indicates which DBDSs require an image copy.
	10	PROHIBIT AUTHORIZATION= ON   OFF	This flag indicates whether this database is available for authorization processing. If the database can be authorized, the value is OFF.
		AUTHORIZED SUBSYSTEMS= <i>n</i>	The count of subsystems that have current authorization to this database.
	11	RECOVERABLE= YES   NO	An indication of whether the database is recoverable (YES) or nonrecoverable (NO).
		HELD AUTHORIZATION STATE= <i>n</i>	This is the state derived by the database authorization call process in IMS. It represents the composite use of the database by all currently authorized subsystems. If <i>n</i> = 0, no subsystem is authorized to use this database. If <i>n</i> > 0, see line the 17 encoded state field below for the subsystem encoded state. If <i>n</i> > 128, block-level data sharing is in effect. Subtract 128 to determine the true held authorization state.
	12	DATABASE LEVEL TRACK= YES   NO	Indicates the level of tracking for the database. YES is printed for database-readiness tracking. NO indicates recovery-readiness tracking. This is listed only if the database is contained in a GSG.
		EEQE COUNT= <i>n</i>	Number of extended error queue elements for this database.
	13	TRACKING SUSPENDED= YES   NO	Indicates whether tracking has been suspended for this shadow database.

Table 31. Fields present in the DB (IMS) record (continued)

Record type	Line number	Field	Contents
		RECEIVE REQUIRED COUNT= <i>n</i>	Indicates how many of the DBDSs (for this shadow database) need image copies to be received from the active site.
	14	OFR REQUIRED= YES   NO	Indicates whether online forward recovery is required for this shadow database.
	15	REORG INTENT= YES   NO	Indicates whether the database is being reorganized.
	16	QUIESCE IN PROGRESS = YES   NO	Indicates whether database quiesce is in progress.
	17	QUIESCE HELD= YES   NO	Indicates whether database quiesce is being held. If YES, the QUIESCE IN PROGRESS will also be YES.
	18	IC NEEDED DISABLED	For this nonrecoverable DB, image copies will not be required after initial load (PROCOPT=L) or REORG of the DBDS.

The following lines 19 through 22 are printed only when one or more subsystems are currently authorized to this database:

	19, 20, 21	ASSOCIATED SUBSYSTEM INFORMATION: -SSID- -AC INTENT- ENCODED -STATE- B/O NEEDED -COUNT- -SS ROLE-	Headings for lines 19– <i>nnn</i> . These headings are printed if subsystems exist.
	22- <i>nnn</i>	ssidname	The subsystem associated with this authorization.
		access intent	The intended access for the subsystem: READ, UPDATE, EXCLUSIVE, or READ-GO.
		encoded state= <i>n</i>	An internal value derived by IMS to indicate the subsystem's intended use of the database. The values of <i>n</i> are as follows: 1 - Read only 2 - Read share 3 - Multiple update 4 - Read exclusive 5 - Batch update 6 - Single update 7 - Exclusive
		backout needed count	Determines that the database needs <i>n</i> backouts by this subsystem.
		ACTIVE   TRACKING	Role of authorized subsystem

## DB (HALDB) record fields

The record fields and their corresponding line numbers for a HALDB master are described in the table.

Table 32. Fields present in the DB (HALDB) record

Record type	Line number	Field	Contents
DB (HALDB Master)	1		
	2	DBD= <i>dbdname</i>	Name of the HALDB.
		DMB#= <i>nnn</i>	The value assigned when this database was registered.

Table 32. Fields present in the DB (HALDB) record (continued)

Record type	Line number	Field	Contents
		CHANGE#= <i>nnn</i>	The change version number. This is updated when the definition of the HALDB is changed.
		TYPE=HALDB	Indicates that this is the HALDB master.
	3	SHARE LEVEL= <i>n</i>	The level of data sharing for which authorized subsystems can share any partition of this HALDB.
		GSGNAME= <i>gsgname</i>	Identifies the name of the GSG to which this database belongs.
	4	DBRCVGRP= <i>rcvgrpnm</i>	The name of the recovery group to which this HALDB master database belongs, if any. Otherwise, **NULL** is printed.
	5	PSNAME= <i>psname</i>	The name of the partition selection routine used by this HALDB, if any. Otherwise, **NULL** is printed.
		DBORG = <i>dbaseorg</i> DSORG = <i>dsetorg</i>	The database and data set organization of the data DBDSs in this HALDB.  For OSAM data sets, DSORG=OSAM indicates that the maximum data set capacity is 4 GB, and DSORG=OSAM8G indicates that it is 8 GB.
		CURRENT PARTITION ID = <i>nnnnn</i>	The partition ID of the latest partition defined for the HALDB.
	6	FLAGS: COUNTERS:	This heading line is printed for line 6, which describe the status of this HALDB.
	7	RECOVERABLE=YES   NO	The HALDB is recoverable or not.
		PARTITIONS= <i>n</i>	Number of partitions that exist for this HALDB.
	8	ONLINE REORG CAPABLE= YES   NO	The HALDB is capable (or not) for online reorganization. The ONLINE REORG CAPABLE = YES   NO flag is included in the master HALDB and in the DB partition record.
		DATA SET GROUP MEMBERS = <i>nn</i>	Number of data set group members
	9	ALTER COUNT= <i>nnnn</i>	The number of partitions in a HALDB database that will be altered.
	10	ALTER COMPLETE COUNT= <i>nnnn</i>	The number of partitions for which alter processing is complete at the time that the HALDB database record is displayed.
	11	IC NEEDED DISABLED	For this nonrecoverable DB, image copies will not be required after initial load (PROCOPT=L) or REORG of the DBDS.

## DB (PART) record fields

The record fields and their corresponding line numbers for a HALDB partition database are described in the table.



Table 33. Fields present in the DB (PART) record

Record type	Line number	Field	Contents
DB (HALDB Partition)	1		
	2	DBD= <i>dbdname</i>	Name of the HALDB partition.
		MASTER DB= <i>HALDB master name</i>	Name of the HALDB master.
		IRLMID= <i>xxxxx</i>	Identifies the IRLM name. This field is printed only when SHARE LEVEL $\geq$ 2.
		CHANGE#= <i>nnn</i>	The change version number is updated when the definition of the partition is changed.
		TYPE=PART	Indicates a HALDB partition.
	3	USID= <i>n</i>	The highest update set identifier for this partition.
		AUTHORIZED USID= <i>n</i>	The identifier of the current update set being applied to the partition.
		HARD USID= <i>n</i>	The update set identifier of the latest changes written to the partition.
	4	RECEIVE USID= <i>n</i>	The update set identifier of the last image copy received for this partition, which applies only to shadow databases at the tracking site.
	RECEIVE NEEDED USID= <i>n</i>	The update set identifier that indicates that image copies with the identified USID are required for the DBDSs marked "receive needed", if <i>n</i> is not zero. It applies only to shadow databases at the tracking site.	
5	DSN PREFIX= <i>dsname</i>	The prefix name used for all data sets.	
	PARTITION ID= <i>nnnnn</i>	The partition identifier.	
6	PREVIOUS PARTITION= <i>name</i> NEXT PARTITION= <i>name</i>	The names of the previous and next partitions, for HALDB databases using high keys.	
7	OLRIMSID= <i>name</i>   **NULL**	The OLRIMSID field reflects the name of the IMS that owns the online reorganization. OLRIMSID is always null at the tracking site.	
	ACTIVE DBDS=A-J or ACTIVE DBDS=M-V	If a HALDB online reorganization is in progress, "ACTIVE DBDS=A-J" or "ACTIVE DBDS=M-V" is displayed. The input data set is listed first and the output data set is listed second.	
	RELEASE OLR OWNERSHIP	This field is included in a listing of the Partition Database record when the owning IMS allows another IMS to resume the HALDB OLR in the event it abnormally terminates.	
8	REORG# = <i>nnnnn</i>	The reorganization number for the partition.	
9	ONLINE REORG STATISTICS:	If HALDB online reorganization has been stopped or completed, statistics are recorded.	

Table 33. Fields present in the DB (PART) record (continued)

Record type	Line number	Field	Contents
	10	OLR BYTES MOVED = <i>n</i>	The total number of bytes moved to the output data sets.
	11	OLR SEGMENTS MOVED = <i>n</i>	The total number of segments moved to the output data sets.
	12	OLR ROOT SEGMENTS MOVED = <i>n</i>	The total number of root segments moved to the output data sets.
	13-14	RANDOMIZER: NAME= ANCHOR= HIGH BLOCK#= BYTES=nnnnnnnn	Name of the randomizing module. Number of root anchor. Maximum relative block number value that the user wants to enable a randomizing module to produce for this DB. Maximum number of bytes of a DB record that can be stored into the root addressable area in a series of inserts unbroken by a call to another DB record.
	15-16	FREE SPACE: FREE BLOCK FREQ FACTOR= <i>nnn</i> FREE SPACE PERCENTAGE= <i>nn</i>	Specifies that every <i>n</i> th control interval or block in this data set group is left as free space during DB load or reorganization. Specifies the minimum percentage of each control interval or block that is to be left as free space.
	17	PARTITION HIGH KEY/STRING (CHAR): (LENGTH=NNN)	Printable and hexadecimal formats of the partition high key/selection string. The key/string is padded with blanks, so the hexadecimal format may contain extra X'40' characters beyond the length of the key/string (LENGTH= in line 10 lists the actual key/string length).
	18	PARTITION HIGH KEY/STRING (HEX):	Printable and hexadecimal formats of the partition high key/selection string. The key/string is padded with blanks, so the hexadecimal format may contain extra X'40' characters beyond the length of the key/string (LENGTH= in line 10 lists the actual key/string length).
	19	OSAM BLOCK SIZE: <i>s</i> = nnnnn	OSAM block size is listed for each data set group member defined. <i>s</i> is the data set group identifier: A through J.
	20	ALTER BLOCK SIZE: <i>s</i> = nnnnn	If defined, this field indicates the new OSAM block sizes or VSAM CI sizes to be used by the HALDB alter process. <i>s</i> is the data set group identifier: A through J.
	21	FLAGS: COUNTERS:	This heading line is printed for lines 7 through 14, which describe the status of this partition.
	22	BACKOUT NEEDED=ON OFF	This flag indicates whether this partition needs backout by any subsystem.
		RECOVERY NEEDED COUNT= <i>n</i>	This counter is the number of DBDSs associated with this database that need to be recovered. The printed output of the DBDS record indicates which DBDSs need recovery.

Table 33. Fields present in the DB (PART) record (continued)

Record type	Line number	Field	Contents
	23	READ ONLY=ON   OFF	Indicates whether this partition can be authorized for read processing only, or authorized for read and update processing.
		IMAGE COPY NEEDED COUNT= <i>n</i>	Count of how many DBDSs associated with this partition require an image copy or forward recovery. The printed output of the DBDS records indicates which DBDSs require an image copy.
	24	PROHIBIT AUTHORIZATION=ON   OFF	This flag indicates whether this partition is available for authorization processing. If the partition can be authorized, the value is OFF.
		AUTHORIZED SUBSYSTEMS= <i>n</i>	The count of subsystems that have current authorization to this partition.
	25	HELD AUTHORIZATION STATE= <i>n</i>	The state derived by the database authorization call process in IMS, representing the composite use of the partition by all currently authorized subsystems. If <i>n</i> = 0, no subsystem is authorized to use this partition. If <i>n</i> > 0, see the table below for the subsystem encoded state. If <i>n</i> > 128, online image copy (OLIC) is in progress for a data set of this partition.
	26	DATABASE LEVEL TRACK=YES   NO	Indicates the level of tracking for the database. YES is printed for database-readiness tracking. NO indicates recovery-readiness tracking. This is listed only if the database is contained in a GSG.
		EEQE COUNT= <i>n</i>	Number of extended error queue elements for this partition.
	27	TRACKING SUSPENDED= YES   NO	Indicates whether tracking has been suspended for this shadow database.
		RECEIVE REQUIRED COUNT= <i>n</i>	Indicates how many of the DBDSs (for this shadow database) need image copies from the active site to be received.
	28	OFR REQUIRED=YES   NO	Indicates whether online forward recovery is required for this shadow database.
		OLR ACTIVE HARD COUNT=0	If the count is greater than zero, it reflects the number of HALDB online reorganizations that have started which have been recorded in the RECON data set but not yet hardened for this shadow database at the RSR tracking site.
	29	PARTITION INIT NEEDED=YES   NO	Indicates whether partition initialization is required for this HALDB partition.
		OLR INACTIVE HARD COUNT=0	If the count is greater than zero, it reflects the number of HALDB online reorganizations that have completed which have been recorded in the RECON data set but not yet hardened for this shadow database at the RSR tracking site.

Table 33. Fields present in the DB (PART) record (continued)

Record type	Line number	Field	Contents
	30	OLREORG CURSOR ACTIVE=NO	The flag for OLREORG CURSOR ACTIVE is on when the paired sets of data sets are active. At the tracking site, the flag is on when the output data sets have been validated or created and that validation or creation process occurs within a hardened milestone.
	31	PARTITION DISABLED=YES   NO	A disabled partition is known only to DBRC and the Partition Definition Utility. A disabled partition can be enabled or deleted.
	32	ONLINE REORG CAPABLE= YES   NO	The partition is enabled (or not) for online reorganization. The ONLINE REORG CAPABLE = YES   NO flag is included in the master HALDB and in the DB partition records.
	33	REORG INTENT =YES  NO	Indicates whether the database is being reorganized.
	34	QUIESCE IN PROGRESS=YES   NO	Indicates whether database quiesce is in progress.
	35	QUIESCE HELD=YES   NO	Indicates whether database quiesce is being held. If YES, then QUIESCE IN PROGRESS will also be YES.
	36	ALTER IN PROGRESS = YES   NO	Indicates that the HALDB master database is being altered by the integrated HALDB online reorganization function.
	37	PARTITION ALTERED = YES   NO	Indicates whether alter processing is complete for this partition only.
The following lines 38 through 41 are printed only when one or more subsystems are currently authorized to this partition:			
	38, 39, 40	ASSOCIATED SUBSYSTEM INFORMATION: -SSID- -ACCESS INTENT- ENCODED -STATE- B/O NEEDED -COUNT- -SS ROLE-	
	41- <i>mmn</i>	ssidname	The subsystem associated with this authorization.
		access intent	The intended access for the subsystem: READ, UPDATE, EXCLUSIVE, or READ-GO.
		encoded state= <i>n</i>	An internal value derived by IMS to indicate the subsystem's intended use of the partition. The values of <i>n</i> are as follows: <ol style="list-style-type: none"> <li>1. Read only</li> <li>2. Read share</li> <li>3. Multiple update</li> <li>4. Read exclusive</li> <li>5. Batch update</li> <li>6. Single update</li> <li>7. Exclusive</li> </ol>
		backout needed count	Determines that the partition needs <i>n</i> backouts by this subsystem.

Table 33. Fields present in the DB (PART) record (continued)

Record type	Line number	Field	Contents
		ACTIVE   TRACKING	Role of authorized subsystem

## DB (Fast Path) record fields

A Fast Path database record's fields and their corresponding line numbers are described in the table.

Table 34. Fields present in the DB (Fast Path) record

Record type	Line number	Field	Contents
DB (Fast Path)	1		
	2	DBD= <i>dbdname</i>	Name of the database.
		DMB#= <i>nmn</i>	The value assigned when this database was registered.
		TYPE= FP	Indicates that the database being used is a Fast Path DEDB.
	3	SHARE LEVEL= <i>n</i>	The level of data sharing for which authorized subsystems can share this database.
		RANDOMIZER= <i>name</i>	Identifies the name of the randomizer that is used by this DEDB. The RANDOMIZER field is used by Fast Path in the environment where each IMS is using its own dedicated ACB library for ACBSHR=N. It is used to ensure that the same ACBLIB is being used by all IMSs. This checking is not done for ACBSHR=Y or when the RANDOMIZER field is null.
	4	FLAGS: COUNTERS:	This heading line is printed for lines 4 through 6 describing status of this database.
	5	RECOVERY NEEDED COUNT= <i>n</i>	This counter is the number of area data sets, associated with this database, that need to be recovered. The printed output of the area data set record indicates which area data sets need recovery.
	6	IMAGE COPY NEEDED COUNT= <i>n</i>	Count of how many area data sets, associated with this database, require an image copy or forward recovery. The printed output of the area data set records indicates which area data sets require an image copy.
	7	PROHIBIT AUTHORIZATION= ON   OFF	This flag indicates whether this database is available for authorization processing. If the database can be authorized, the value is OFF.
		AUTHORIZED AREAS= <i>n</i>	The count of areas that are currently authorized.
	8	RECOVERABLE= YES   NO	An indication of whether the database is recoverable (YES) or nonrecoverable (NO).
		EEQE COUNT= <i>n</i>	Number of extended error queue elements for this DEDB.
	9	FULLSEG DEFAULT=YES   NO	This setting indicates the full segment logging default setting for any areas that are registered later for this DEDB.

## DBDS (non-Fast Path) record fields

A non-Fast Path database data set record's fields and their corresponding line numbers are described in the table.

Table 35. Fields present in the DBDS (non-Fast Path) record

Record type	Line number	Field	Contents
DBDS (non-Fast Path)	1		
	2	DSN= <i>dsname</i>	Data set name of the DBDS.
		TYPE= IMS	Indicates that this is a DBDS rather than a FP DEDB area.
		TYPE= PART	Indicates that this is a DBDS of a HALDB partition.
	3	DBD= <i>dbdname</i> DDN= <i>ddname</i>	The database name and data set ddname of the DBDS.
		DSID= <i>nn</i>	The data set ID number that appears as part of the information in the DBDLIB data set about the DBDS. The DSID for the M-V and Y DBDSs has the high order bit turned on, which is ignored for printing.
		DBORG= <i>dbaseorg</i> DSORG= <i>dsetorg</i>	The database and data set organization, as defined for the DBDS in the DBDLIB data set.
	4	CAGRP= <i>cagrpnam</i>	The name of the CA group to which this DBDS belongs, if any. Otherwise, <b>**NULL**</b> is printed.
		GENMAX= <i>nnnn</i>	The maximum number of image copy data sets to be maintained for this DBDS.
		IC AVAIL= <i>nnnn</i> IC USED= <i>nnnn</i>	The number of available and in-use image copy data sets for the DBDS.
	DSSN= <i>nnnn</i>	The data set sequence number that is being used concurrently by sharing IMS subsystems. A DSSN is used to reflect the relative order in which changes are made to a DBDS.	
5	REUSE   NOREUSE	REUSE is printed if you have specified in the RECON data set that image copy data sets are to be reused for this DBDS.	
	RECOVPD= <i>nnn</i>	This is the recovery period of the image copies.	
	OTHER DDN= <b>**NULL**</b>	The partner DBDS, if one exists. Otherwise <b>**NULL**</b> is printed.	

The following fields in lines 6 through 11, identify the JCLPDS data set member names that are to be used in order to generate IMS utility JCL for this DBDS:

6	DEFLTJCL= <i>member</i>	The name of the PDS member containing the skeletal JCL default values for the user-defined keywords that are to be used for this DBDS.
	ICJCL= <i>member</i>	The name of the skeletal JCL PDS member that is to be used in order to generate JCL for the Database Image Copy utility for this DBDS.
	OICJCL= <i>member</i>	The name of the skeletal JCL PDS member that is to be used in order to generate a job for the Online Database Image Copy utility for this DBDS.

Table 35. Fields present in the DBDS (non-Fast Path) record (continued)

Record type	Line number	Field	Contents
		RECOVJCL= <i>member</i>	The name of the skeletal JCL PDS member that is to be used in order to generate JCL for the Database Recovery utility for this DBDS.
	7	RECVJCL= <i>member</i>	The name of the skeletal JCL PDS member for which the Database Recovery utility is to receive an image copy for this DBDS at an RSR tracking site.
	8	FLAGS: COUNTERS:	Heading for the following lines 9 through 11, which describe the status of this DBDS.
	9	IC NEEDED= ON   OFF	Indicates whether an image copy needs to be taken for the DBDS.
	10	IC RECOMMENDED= ON	Indicates that DBRC recommends an image copy of the DBDS should be taken before using the database.
	11	RECOV NEEDED= ON   OFF	Indicates whether the DBDS needs to be recovered.
	12	RECEIVE NEEDED = ON   OFF	Indicates whether an image copy of this DBDS needs to be received at the tracking site. This indicator is only applicable in an RSR environment at the RSR tracking site.
		EEQE COUNT= <i>n</i>	The number of extended error queue elements for this DBDS.
The following, lines 13 through 15, are printed only if one or more extended error queue elements exist.			
	13, 14	ERROR QUEUE ELEMENTS: -EQERBA-EEQE TYPE-SSID-	Heading for the following list of extended error queue elements (lines 14- <i>nnn</i> ).
	15- <i>nnn</i>	<i>eeqe rba</i>	The relative byte address (RBA) of the EEQE.
		<i>eeqe type</i>	The type of extended error queue element.
		<i>ssid</i>	The ID of the subsystem that created the EEQE (in doubt EEQEs only).

## DBDS (Fast Path) record fields

A Fast Path database data set record's fields and their corresponding line numbers are described in the table.

Table 36. Fields present in the DBDS (Fast Path) record

Record type	Line number	Field	Contents
DBDS (Fast Path)	1		
	2	DBD= <i>dbdname</i> AREA= <i>areaname</i>	The database name and area name of the Fast Path DEDB.
		IRLMID= <i>irlmname</i>	Identifies the IRLM when the share level of this DEDB is 2. This field is printed only when SHARE LEVEL=2.
		SHADOW	This field is printed if the area is a shadow area.
		TYPE= FP	Identifies this database as a Fast Path DEDB.
	3	SHARE LEVEL= <i>n</i>	The level of data sharing for which authorized subsystems can share this area.

Table 36. Fields present in the DBDS (Fast Path) record (continued)

Record type	Line number	Field	Contents
		DSID= <i>nnn</i>	The data set ID number that appears as part of the information in the DBDLIB data set about the area data set.
		DBORG= <i>dbaseorg</i> DSORG= <i>dsetorg</i>	The database and data set organization, as defined for the area data set in the DBDLIB data set.
	4	GSGNAME= <i>gsgname</i>	Identifies the name of the GSG to which this area belongs.
		USID= <i>n</i>	The highest update set identifier for this area.
	5	AUTHORIZED USID= <i>n</i>	The identifier of the current update set that is being applied to the area.
		RECEIVE USID= <i>n</i>	The update set identifier of the last image copy that was received for this area. The update set ID only applies to shadow areas at the tracking site.
		HARD USID= <i>n</i>	The update set identifier of the latest changes that were written to the area.
	6	RECEIVE NEEDED USID= <i>n</i>	This only applies to shadow areas at the tracking site. If <i>n</i> is not zero, this indicates that an image copy with the identified USID needs to be received for this area.
	7	CAGRP= <i>cagrpnam</i>	The name of the CA group to which this area belongs, if any. Otherwise, <b>**NULL**</b> is printed.
		GENMAX= <i>nnnn</i>	The maximum number of image copy data sets to be maintained for this area.
		IC AVAIL= <i>nnnn</i> IC USED= <i>nnnn</i>	The number of available image copy data sets, and the number of in-use image copy data sets for the area.
		DSSN= <i>nnnn</i>	This is the data set sequence number that is being used concurrently by sharing IMS subsystems. A DSSN is used to reflect the relative order in which changes are made to an area data set.
	8	REUSE   NOREUSE	REUSE is printed if you have specified in the RECON data set that image copy data sets are to be reused for this area data set.
		RECOVPD= <i>nnn</i>	This is the recovery period of the image copies.
		VSO   NOVSO	Indicates whether the area resides in virtual storage.
		PREOPEN   NOPREOPEN	Indicates whether the area is opened at control region initialization or when the area is started.
		PRELOAD   NOPRELOAD	Indicates whether the VSO area is loaded into the data space the next time it is opened.
		FULLSEG   NOFULLSG	Indicates whether full segment logging is turned on (FULLSEG) or not (NOFULLSG). NOFULLSG is the default setting.
	9	CFSTR1= <i>cfstr_name</i>	The name of the first coupling facility structure for the area.



Table 36. Fields present in the DBDS (Fast Path) record (continued)

Record type	Line number	Field	Contents
		CFSTR2= <i>cfstr_name</i>	The name of the second coupling facility structure for the area.
		LKASID   NOLKASID	Indicates whether local data caching for the specified area is used for buffer lookaside on read requests.
		MAS   NOMAS	Indicates whether (or not) the area is to reside in a multi-area coupling facility structure.
	10	DEFLTJCL= <i>member</i>	The name of the member of the partitioned data set that contains the skeletal JCL default values that are to be used for the DEDB area.
		ICJCL= <i>member</i>	The name of the skeletal JCL PDS member that is to be used in order to generate the JCL for the Database Image Copy utility for this area data set.
		RECVJCL= <i>member</i>	The name of the skeletal JCL PDS member for which the Database Recovery utility is to receive an image copy for this area data set at an RSR tracking site.
		RECOVJCL= <i>member</i>	The name of the skeletal JCL PDS member that is to be used in order to generate the JCL for the Database Recovery utility for this area data set.
	11	DBRCVGRP= <i>rcvgrpnm</i>	The name of the recovery group to which this DBDS belongs, if any. Otherwise, **NULL** is printed.
	12	FLAGS: COUNTERS:	This heading line is printed for lines 11 through 19 describing the status of this area.
	13	PROHIBIT AUTHORIZATION= ON   OFF	The value of this flag is OFF if the area is available for authorization processing.
		AUTHORIZED SUBSYSTEMS= <i>n</i>	The count of subsystems that have current authorization to this area.
	14	HELD AUTHORIZATION STATE= <i>n</i>	This is the state derived by the database authorization call process in IMS. It represents the composite use of the database by all currently authorized subsystems. If <i>n</i> = 0, no subsystem is authorized to use this database. If <i>n</i> > 0, see the table below for the subsystem encoded state. If <i>n</i> > 128, block-level data sharing is in effect. Subtract 128 to determine the true held authorization state.
	15	IC NEEDED= ON   OFF	Indicates whether an image copy needs to be taken for the DEDB area.
		ADS AVAIL #= <i>n</i>	Indicates the number of available ADS in this area record.
	16	IC RECOMMENDED= ON	Indicates that DBRC recommends an image copy of the area should be taken before it is used.
	17	RECOV NEEDED= ON   OFF	Indicates whether the areas associated with the DEDB should be recovered.
		REGISTERED ADS #= <i>n</i>	Indicates how many area data sets for this area are registered in the RECON data set.

Table 36. Fields present in the DBDS (Fast Path) record (continued)

Record type	Line number	Field	Contents
	18	DATABASE LEVEL TRACK = YES   NO	Indicates the level of tracking for the area. YES is printed for database-readiness tracking. NO indicates recovery-readiness tracking. This is listed only if the area is contained in a GSG.
		EEQE COUNT= <i>n</i>	The number of extended error queue elements for this DEDB area.
	19	RECEIVE NEEDED = ON   OFF	Indicates whether an image copy of this area needs to be received at the tracking site. This indicator is only applicable in an RSR environment at the RSR tracking site.
	20	OFR REQUIRED= YES   NO	Indicates whether online forward recovery is required for this shadow area.
	21	TRACKING SUSPENDED= YES   NO	Indicates whether tracking has been suspended for this shadow area.
	22	HSSP CIC IN PROGRESS= YES   NO	Indicates whether an HSSP concurrent image copy is in progress.
	23	QUIESCE IN PROGRESS= YES   NO	Indicates whether database quiesce is in progress.
	24	QUIESCE HELD= YES   NO	Indicates whether database quiesce is being held. If YES, then QUIESCE IN PROGRESS will also be YES.
The following lines, 25 through 27, are printed only if one or more error queue elements exist.			
	25	ERROR QUEUE ELEMENTS:	Heading for the following list of error queue elements.
	26	-EQERBA-EEQE TYPE-SSID-	
	27- <i>nnn</i>	<i>eeqe rba</i>	The type of extended error queue element.
		<i>eeqe type</i>	The type of extended error queue element.
		<i>ssid</i>	The ID of the subsystem that created the EEQE (in doubt EEQEs only).
If the number of registered area data sets is not zero, the following lines 26 through 28 list those area data sets that are currently registered in this area record:			
	26	ADS LIST: -ADS DDN- -ADS	These lines, 26 through 28, represent the column headings for the following line 29.
	27	DSN- -STAT- CREATE	
	28	-RUNNING-	
The following line (29) is repeated for each area data set that is registered for this area.			
	29- <i>nn</i>	<i>adsddn adsdsn</i> AVAIL   UNAVAIL YES   NO	AVAIL indicates that the area data set is available. UNAVAIL indicates that the area data set is unavailable. YES indicates that the area data set is being used. NO indicates that the area data set is not being used.
The following lines <i>nn+1</i> through <i>nn+3</i> , are printed only when one or more subsystems are currently authorized to this area:			
	<i>nn+1 nn+2</i> <i>nn+3</i>	ASSOCIATED SUBSYSTEM INFORMATION -SSID- -ACCESS INTENT- ENCODED -STATE- -SS ROLE-	Lines <i>nn+1</i> through <i>nn+3</i> represent the column headings for the following lines <i>nn+3-mm</i> .
The following line <i>nn+3-mm</i> , is repeated for each subsystem that has authorization for this database.			
	<i>nn+3-mm</i>	<i>ssidname</i>	The subsystem associated with this authorization.

Table 36. Fields present in the DBDS (Fast Path) record (continued)

Record type	Line number	Field	Contents
		<i>access intent</i>	The intended access for the subsystem: READ, UPDATE, EXCLUSIVE, or READ-GO.
		<i>encoded state= n</i>	An internal value derived by IMS to indicate the subsystem's intended use of the database. The values of <i>n</i> are as follows: 1 - Read only 2 - Read share 3 - Multiple update 4 - Read exclusive 5 - Batch update 6 - Single update 7 - Exclusive
		ACTIVE   TRACKING	Role of the authorized subsystem.

## ALLOC record fields

An allocation record's fields and their corresponding line numbers are described in the table.

Table 37. Fields present in the ALLOC record

Record type	Line number	Field	Contents
ALLOC	1		
	2	ALLOC= <i>time_stamp</i> *	The time stamp for a time that the DBDS was allocated during the run of an IMS system. An asterisk (*) indicates that it is part of the record key.
		ALLOC LRID= <i>n</i>	The log record sequence number of the begin update log record. The value for <i>n</i> is 0 for ALLOC records that are created at the active site.
	3	DSSN= <i>nnnn</i>	This is the data set sequence number that is being concurrently used by sharing IMS subsystems. A DSSN is used to reflect the relative order in which changes are made to a DBDS or area.
		USID= <i>n</i>	The update set identifier. An update set is a collection of updates that are made to the database or area while it is continuously updated by one or more IMS subsystems.
		START= <i>time_stamp</i>	The start time of the log data set that was logging change records when this DBDS was allocated.
	4	DEALLOC= <i>time_stamp</i>	The time stamp of a specific deallocation. This field is printed only if a specific deallocation time is in the record. If the DBDS was allowed to remain allocated to the closing of the log data set, this line is not printed.
		DEALLOC LRID= <i>n</i>	The log record sequence number of the end-update log record. This field is only printed if a specific deallocation time exists.
	5	TRACKING SUSPENDED AT RECORD: <i>suspend lrid</i> TRACKING SUSPENDED NO RECORDS APPLIED	This will only be printed for shadow databases that are being tracked at the tracking site. The <i>suspend lrid</i> indicates the current tracking log position.

Table 37. Fields present in the ALLOC record (continued)

Record type	Line number	Field	Contents
	6	QUIESCE	Indicates that deallocation occurred because of a database quiesce command.
		CMD	Indicates that the ALLOC record was added by a NOTIFY.ALLOC command.

## IMAGE record fields

An image record's fields and their corresponding line numbers are described in the table.

Table 38. Fields present in the IMAGE record

Record type	Line number	Field	Contents
IMAGE	1		
	2	*	The asterisk (*) is printed to the left of the record type only if the image copy data sets that are defined in this record are available for the first time for future use (they have never been used before).
		CREATE   RUN= <i>time_stamp</i> *	CREATE is printed if the image copy data set has never been used. Otherwise, RUN is printed. RUN is the time stamp of the start of processing of the database image copy utilities that used this image copy data set. The asterisk (*) indicates that the time stamp is part of the key of this record.
		RECORD COUNT= <i>nnnnnnnn</i>	The number of records contained in the image copy data set. This field is printed only for in-use image copy data sets; it does not apply to nonstandard or system managed storage image copy data sets.
		USER IC	This is printed for any nonstandard batch image copy.
		USER CIC	This is printed for any nonstandard CIC image copy.
		USID= <i>n</i>	This is only listed here for a nonstandard image copy.
	3	STOP= <i>time_stamp</i>	This field contains either zeros or the stop time of an Online Database Image Copy utility run. This field applies to standard image copy data sets, but is not printed for available image copy data sets.

Table 38. Fields present in the IMAGE record (continued)

Record type	Line number	Field	Contents
		ONLINE   BATCH   CONCUR   SMSCIC   SMSNOCIC   SMSOFFLC   SMSONLC	<p>This field indicates the type of image copy. ONLINE indicates that this image copy was produced by an online database image copy utility. BATCH indicates a batch image copy from the Database Image Copy utility. CONCUR indicates that a concurrent image copy was run. SMSCIC indicates a concurrent image copy that is produced by the Database Image Copy 2 utility. SMSNOCIC indicates a consistent image copy that is produced by Database Image Copy 2 utility. SMSOFFLC indicates that the Database Image Copy 2 utility invoked DFSMS Fast Replication to take an image copy. SMSONLC indicates that the Database Image Copy 2 utility invoked DFSMS Fast Replication to take an image copy concurrently with update processing.</p> <p>This field is not printed for available image copy data sets.</p>
		USID= <i>n</i>	This is only listed here for a standard image copy. This is the value of the update set identifier of the database or area when the image copy was taken.
	4	IN PROGRESS	This line is listed when an HSSP concurrent image copy is currently in progress.
		USERDATA= <i>ccccccc...</i>	This line is printed in this format if user data exists for a standard image copy data set. The characters that follow USERDATA= comprise the character string you kept in the record to describe the standard image copy data set.
	5	IC1   IC2	IC1 and accompanying lines are always printed, followed by IC2 and accompanying lines, if a duplicate image copy data set exists.
	6	USERDATA= <i>ccccccc...</i>	This line is printed in this format for a nonstandard image copy data set. The characters that follow USERDATA= comprise the character string you kept in the record to describe the nonstandard image copy data set.
	7	DSN= <i>ic-dsname</i>	<i>ic-dsname</i> is the data set name of this image copy data set (IC1 or IC2).
		FILE SEQ= <i>nnnn</i>	The file sequence number of the image copy data set on the first volume on which it resides. This field is listed for non-HSSP image copies only.
	8	UNIT= <i>unittype</i>	Unit type to be used for substitution during the GENJCL process. This field is listed for non-HSSP image copies only.
		ERR   EMP	ERR is printed if you have indicated that the image copy data set is not to be used as input to future utility runs. EMP is printed only for duplicate image copy data sets that have not been used, even though their corresponding image copy data set has been used.

Table 38. Fields present in the IMAGE record (continued)

Record type	Line number	Field	Contents
		VOLS DEF= <i>nnnn</i> VOLS USED= <i>nnnn</i>	The number of volumes that have been specified for use by this image copy data set and the number of volumes that have been used to create the data set. The VOLS USED value might be less than the specified VOLS DEF. For available image copy data sets, the VOLS USED value is 0.  This field is listed for non-HSSP image copies only.
	9 - <i>nn</i>	VOLSER= <i>volser,...</i>	A list of the volume serial numbers of volumes that contain the image copy data set. this field is listed for non-HSSP image copies only.

## REORG record fields

A reorganization record's fields and their corresponding line numbers are described in the table.

Table 39. Fields present in the REORG record

Record type	Line number	Field	Contents
REORG	1		
	2	RUN= <i>time_stamp</i> *	The time stamp you have supplied for the time at which a reorganization occurred for this DBDS. An asterisk (*) indicates that the time stamp is part of the key of this record.
		USID= <i>n</i>	This is the value of the update set identifier of the database or area when the reorganization of this DBDS occurred.
	3	REORG#= <i>n</i>	The reorganization number for the partition at the time of the reorganization
		ALTER	If ALTER is listed, it indicates that this HALDB DBDS was altered by the integrated HALDB online reorganization function or that the Fast Path area was altered by the DEDB Alter utility.
	4	STOP= <i>time_stamp</i> *	STOP= is only present for online reorganizations. STOP= is zero for online reorganizations that have not yet completed.
		ONLINE RECOV= YES   NO	YES indicates that the online reorganization was taken when this DBDS was the output data set and the start time can be used as the purge time for recovery. NO indicates that the online reorganization was taken when this DBDS was the input data set and cannot be used for recovery.
	5	OLDSTOPT = <i>time_stamp</i>	If a point-in-time recovery (PITR) has been run to the middle of a completed online reorganization, the prior stop time of the online reorganization is moved to this field. OLDSTOPT= is only present if non-zero and is used for diagnostic information only.

Table 39. Fields present in the REORG record (continued)

Record type	Line number	Field	Contents
	6	TOTAL NUMBER OF RAPS PROCESSED= <i>value</i> (if not zero-PHDAM)  or  TOTAL NUMBER OF ROOTS TO PROCESS= <i>value</i> (if not zero-PHIDAM)	This field provides additional data for tracking the progress of an integrated HALDB Online Reorganization.
	7	USERDATA=	Listed only if user data is provided.

## RECOV record fields

A recovery record's fields and their corresponding line numbers are described in the table.

Table 40. Fields present in the RECOV record

Record type	Line number	Field	Contents
RECOV	1		
	2	RUN= <i>time_stamp</i> *	The time stamp of a Database Recovery utility run for this DBDS. The asterisk (*) indicates that the time stamp is part of the key of this record.
		RUN USID= <i>n</i>	Listed only if a time-stamp recovery is being described. This identifies the update set identifier of the DBDS when the Database Recovery utility was run.
	3	RECOV TO= <i>time_stamp</i>	This field indicates that a time-stamp recovery is being described. The time-stamp recovery restored the DBDS to the state it was in at the time represented by the time stamp.
		RECOV TO USID= <i>n</i>	Listed only if a time-stamp recovery is being described. This identifies the update set identifier of the DBDS at the time to which the DBDS was restored.
	3A	POINT-IN-TIME	Listed only if this is a point-in-time recovery.
		CMD	Listed only if this recovery record was added by the NOTIFY.RECOV command.
		PRIOR REORG#=	Listed only if this recovery resulted in a new instance of the database. The prior reorganization number represents the reorganization number before the recovery.
		NEW REORG#=	Listed only if this recovery resulted in a new instance of the database. The new reorganization number represents the reorganization number assigned as a result of the recovery.
	4	USERDATA=	Listed only if user data is provided.





---

## Part 5. Fast Database Recovery commands

Use the Fast Database Recovery (FDBR) commands to work with an IMS Fast Database Recovery region.

- Chapter 20, “MODIFY fdbproc commands,” on page 503
- Chapter 21, “START fdbproc command,” on page 507



---

## Chapter 20. MODIFY fdbproc commands

Use the MODIFY (F) *fdbproc* commands for an IMS Fast Database Recovery region to display its status, to stop it, and to recover from failures.

---

### F fdbproc,DUMP

Use the F *fdbproc,DUMP* command to stop IMS Fast DB Recovery functions and request a dump for the region. The region ends with a return code X'0020'.

#### Syntax

►► — F — *fdbproc,DUMP* —►►  
    └─MODIFY─┘

---

### F fdbproc,RECOVER

Use the F *fdbproc,RECOVER* command to initiate an IMS Fast DB Recovery of tracked IMS databases. Use this command, for example, after a timeout during z/OS cross-system coupling facility (XCF) or log surveillance.

#### Syntax

►► — F — *fdbproc,RECOVER* —►►  
    └─MODIFY─┘

#### Usage notes

This command is not accepted if an IMS Fast DB Recovery region is currently starting or if it is recovering databases.

---

### F fdbproc,STATUS

Use the F *fdbproc,STATUS* command to display status for an IMS Fast DB Recovery region.

#### Syntax

►► — F — *fdbproc,STATUS* —►►  
    └─MODIFY─┘

#### Output

The output displayed by this command includes the following information:

##### PHASE

This field indicates the phase of the Fast DB Recovery region. The following are possible values for the phase:

- INIT
- TRACKING

- RECOVERY

**LOG-TIME**

Time of the log record currently being processed by the Fast DB Recovery region. The length of time the Fast DB Recovery region lags behind IMS in reading the log is the difference between the current time, as shown by the time stamp, and the log time. This field displays N/A during FDBR initialization.

**ACT-ID**

The IMSID of the IMS subsystem that Fast DB Recovery is tracking. This field displays N/A during FDBR initialization.

**GROUPNAME**

z/OS cross-system coupling facility (XCF) group name used for XCF monitoring. This field displays N/A during FDBR initialization.

**TIMEOUT**

XCF timeout value. This field displays N/A during FDBR initialization.

**AREA01**

The sharing level for DEDB areas. The following are possible values for AREA01:

- RECOV
- NORECOV

You specify the sharing level for AREA01 in the DFSFDRxx member of IMS.PROCLIB.

**SVSOOPEN**

Indicates that all areas requiring redo processing in an FDBR system will be serially processed. This option is ignored for /ERE and XRF TKO processing. It is used to reduce the number of structures being allocated by FDBR for redo processing.

**FPBUFF**

Indicates that the control blocks for Fast Path DEDB processing are to be allocated in the FDBR private region rather than ECSA.

The LOCAL parameter is specified in the DFSFDRxx PROCLIB member. If this option is selected, the control blocks for DEDB processing are allocated in the FDBR control region private storage.

If this option is not specified, the control blocks for DEDB processing are allocated in ECSA storage. This is the default.

**IRLMFAIL**

Indicates the action that IMS will take if IRLM should fail.

**ABEND**

IMS ends abnormally with abend code U3305.

**NOACT**

IMS takes no action and continues normal processing.

You can specify this option in the DFSFDRxx member of the IMS PROCLIB data set. IRLMFAIL=NOACT is the default.

## Example

```
F FDR1,STATUS
DFS000I PHASE: TRACKING LOG-TIME: 17:48:41 FDR1
DFS000I ACT-ID: SYSS3 GROUPNAME: FDRSYS3 FDR1
DFS000I TIMEOUT: 060 SEC AREA01: NORECOV FDR1
DFS000I SVS0OPEN: SERIAL FPBUFF: LOCAL FDR1
```

---

## F *fdbbrproc*,STOP

Use the F *fdbbrproc*,STOP command to stop an IMS Fast DB Recovery region. The region ends with a return code X'0020'.

### Syntax

►► — F — *fdbbrproc*,STOP —►►  
    └─┬─┘  
    └─┴─┘  
    MODIFY

---

## F *fdbbrproc*,TERM

Use the F *fdbbrproc*,TERM command to stop IMS Fast DB Recovery tracking activity.

### Syntax

►► — F — *fdbbrproc*,TERM —►►  
    └─┬─┘  
    └─┴─┘  
    MODIFY

### Usage notes

This command is not accepted if an IMS Fast DB Recovery region is currently starting or if it is recovering databases.



---

## Chapter 21. START fdbproc command

Although you normally start an IMS Fast DB Recovery region using a job submitted after the databases to be tracked are started, you can use the z/OS START command to start the region and tracking.

The fdbproc parameter identifies the procedure name of the region to be started.

### Syntax

▶▶ `S` `fdbproc` ▶▶  
└─START─┘





---

## Part 6. IMS Connect commands

These topics describe IMS Connect type-2 commands, IMS Connect WTOR commands, and IMS Connect z/OS (MVS) commands.

- Chapter 22, “Equivalent IMS Connect WTOR, z/OS, and type-2 commands,” on page 511
- Chapter 23, “IMS Connect type-2 commands,” on page 517
- Chapter 24, “IMS Connect WTOR commands,” on page 519
- Chapter 25, “IMS Connect z/OS commands,” on page 607



## Chapter 22. Equivalent IMS Connect WTOR, z/OS, and type-2 commands

Certain IMS Connect WTOR commands, IMS Connect z/OS commands, and IMS Connect type-2 commands perform similar tasks.

The following table shows the different instances of the IMS Connect WTOR, z/OS, and type-2 commands that perform similar tasks.

Table 41. WTOR and IMS Connect z/OS equivalents for the QUERY IMSCON TYPE(ALIAS) command

QUERY IMSCON TYPE(ALIAS) command	Equivalent IMS Connect WTOR command	Equivalent IMS Connect z/OS command
QUERY IMSCON TYPE(ALIAS) NAME(*) SHOW(ALL   <i>show_parm</i> )	VIEWIA ALL	QUERY ALIAS NAME(*)
QUERY IMSCON TYPE(ALIAS) NAME( <i>alias_name</i> ) SHOW(ALL   <i>show_parm</i> )	VIEWIA <i>alias_name</i>	QUERY ALIAS NAME( <i>aliasName</i> )
QUERY IMSCON TYPE(ALIAS) NAME( <i>alias_name</i> ) ODBM( <i>odbm_name</i> )	VIEWIA <i>alias_name</i> <i>odbm_name</i>	QUERY ALIAS NAME( <i>aliasName</i> ) ODBM( <i>odbmName</i> )

Table 42. WTOR and IMS Connect z/OS equivalents for the QUERY IMSCON TYPE(CONFIG) command

QUERY IMSCON TYPE(CONFIG) command	Equivalent IMS Connect WTOR command	Equivalent IMS Connect z/OS command
QUERY IMSCON TYPE(CONFIG) SHOW(ALL   <i>show_parm</i> )	VIEWHWS	QUERY MEMBER TYPE(IMSCON) SHOW(ALL)

Table 43. WTOR and IMS Connect z/OS equivalents for the QUERY IMSCON TYPE(DATASTORE) command

QUERY IMSCON TYPE(DATASTORE) command	Equivalent IMS Connect WTOR command	Equivalent IMS Connect z/OS command
QUERY IMSCON TYPE(DATASTORE) NAME(*) SHOW(ALL   <i>show_parm</i> )	VIEWDS ALL	QUERY DATASTORE NAME(*) SHOW(ALL)
QUERY IMSCON TYPE(DATASTORE) NAME( <i>datastore_name</i> ) SHOW(ALL   <i>show_parm</i> )	VIEWDS <i>datastore_name</i>	QUERY DATASTORE NAME( <i>datastore_name</i> )

Table 44. WTOR and IMS Connect z/OS equivalents for the QUERY IMSCON TYPE(IMSPLEX) command

QUERY IMSCON TYPE(IMSPLEX) command	Equivalent IMS Connect WTOR command	Equivalent IMS Connect z/OS command
QUERY IMSCON TYPE(IMSPLEX) NAME(*) SHOW(ALL   <i>show_parm</i> )	VIEWIP ALL	QUERY IMSPLEX NAME(*) SHOW(ALL)
QUERY IMSCON TYPE(IMSPLEX) NAME( <i>IMSplex_name</i> ) SHOW(ALL   <i>show_parm</i> )	VIEWIP <i>IMSplex_name</i>	QUERY IMSPLEX NAME( <i>imsplexName</i> ) SHOW(ALL)

Table 45. WTOR and IMS Connect z/OS equivalents for the QUERY IMSCON TYPE(MSC) command

QUERY IMSCON TYPE(MSC) command	Equivalent IMS Connect WTOR command	Equivalent IMS Connect z/OS command
QUERY IMSCON TYPE(MSC) NAME(*) SHOW(ALL   <i>show_parm</i> )	VIEWMSC ALL	QUERY MSC NAME(*)
QUERY IMSCON TYPE(MSC) NAME( <i>msc_id</i> ) SHOW(ALL   <i>show_parm</i> )	VIEWMSC <i>msc_id</i>	QUERY MSC NAME( <i>msc_id</i> )

Table 46. WTOR and IMS Connect z/OS equivalents for the QUERY IMSCON TYPE(PORT) command

QUERY IMSCON TYPE(PORT) command	Equivalent IMS Connect WTOR command	Equivalent IMS Connect z/OS command
QUERY IMSCON TYPE(PORT) NAME(*) SHOW(ALL   <i>show_parm</i> )	VIEWPORT ALL	QUERY PORT NAME(*) SHOW(ALL)
QUERY IMSCON TYPE(PORT) NAME( <i>portid</i> ) SHOW(ALL   <i>show_parm</i> )	VIEWPORT <i>port_id</i>	QUERY PORT NAME( <i>port_id</i> ) SHOW(ALL)
QUERY IMSCON TYPE(PORT) NAME(LOCAL) SHOW(ALL   <i>show_parm</i> )	VIEWPORT LOCAL	QUERY PORT NAME(LOCAL) SHOW(ALL)

Table 47. WTOR and IMS Connect z/OS equivalents for the QUERY IMSCON TYPE(RMTIMSCON) command

QUERY IMSCON TYPE(RMTIMSCON) command	Equivalent IMS Connect WTOR command	Equivalent IMS Connect z/OS command
QUERY IMSCON TYPE(RMTIMSCON) NAME(*) SHOW(ALL   <i>show_parm</i> )	VIEWRMT ALL	QUERY RMTIMSCON NAME(*)
QUERY IMSCON TYPE(RMTIMSCON) NAME( <i>rmtimscon_name</i> ) SHOW(ALL   <i>show_parm</i> )	VIEWRMT <i>rmtimscon_name</i>	QUERY RMTIMSCON NAME( <i>rmtimscon_name</i> )

Table 48. WTOR and IMS Connect z/OS equivalents for the QUERY IMSCON TYPE(UOR) command

QUERY IMSCON TYPE(UOR) command	Equivalent IMS Connect WTOR command	Equivalent IMS Connect z/OS command
QUERY IMSCON TYPE(UOR) NAME(*) SHOW(ALL   <i>show_parm</i> )	VIEWUOR ALL	QUERY UOR NAME(*) SHOW(ALL)
QUERY IMSCON TYPE(UOR) NAME( <i>uor_id</i> ) SHOW(ALL   <i>show_parm</i> )	VIEWUOR <i>uor_id</i>	QUERY UOR NAME( <i>uor_id</i> ) SHOW(ALL)
QUERY IMSCON TYPE(UOR) STATE( <i>state</i> )	None	None

Table 49. WTOR and IMS Connect z/OS equivalents for the UPDATE IMSCON TYPE(ALIAS) command

UPDATE IMSCON TYPE(ALIAS) command	Equivalent IMS Connect WTOR command	Equivalent IMS Connect z/OS command
UPDATE IMSCON TYPE(ALIAS) NAME( <i>alias_name</i> ) ODBM( <i>odbm_name</i> ) START(COMM)	STARTIA <i>alias_name</i> <i>odbm_name</i>	UPDATE ALIAS NAME( <i>aliasName</i> ) ODBM( <i>odbmName</i> ) START(ROUTE)
UPDATE IMSCON TYPE(ALIAS) NAME( <i>alias_name</i> ) ODBM( <i>odbm_name</i> ) STOP(COMM)	STOPIA <i>alias_name</i> <i>odbm_name</i>	UPDATE ALIAS NAME( <i>aliasName</i> ) ODBM( <i>odbmName</i> ) STOP(ROUTE)

Table 50. WTOR and IMS Connect z/OS equivalents for the UPDATE IMSCON TYPE(CLIENT) command

UPDATE IMSCON TYPE(CLIENT) command	Equivalent IMS Connect WTOR command	Equivalent IMS Connect z/OS command
UPDATE IMSCON TYPE(CLIENT) NAME( <i>client_name</i> ) PORT( <i>portid</i> ) STOP(COMM)	STOPCLNT <i>portid clientid</i>	DELETE PORT NAME( <i>portName</i> ) CLIENT( <i>clientName</i> )

Table 51. WTOR and IMS Connect z/OS equivalents for the UPDATE IMSCON TYPE(CONFIG) command

UPDATE IMSCON TYPE(CONFIG) command	Equivalent IMS Connect WTOR command	Equivalent IMS Connect z/OS command
UPDATE IMSCON TYPE(CONFIG) SHUTDOWN(COMM)	CLOSEHWS	SHUTDOWN MEMBER
UPDATE IMSCON TYPE(CONFIG) SHUTDOWN(COMM) OPTION(FORCE)	CLOSEHWS FORCE	SHUTDOWN MEMBER OPTION(FORCE)
UPDATE IMSCON TYPE(CONFIG) SHUTDOWN(COMM) OPTION(QUIESCE)	CLOSEHWS QUIESCE	SHUTDOWN MEMBER OPTION(QUIESCE)
UPDATE IMSCON TYPE(CONFIG) SET(OAUTO(ON))	SETOAUTO YES	UPDATE MEMBER TYPE(IMSCON) SET(OAUTO(ON))
UPDATE IMSCON TYPE(CONFIG) SET(OAUTO(OFF))	SETOAUTO NO	UPDATE MEMBER TYPE(IMSCON) SET(OAUTO(OFF))
UPDATE IMSCON TYPE(CONFIG) SET(PSWDMC(ON))	SETPWMC ON	UPDATE MEMBER TYPE(IMSCON) SET(PSWDMC(ON))
UPDATE IMSCON TYPE(CONFIG) SET(PSWDMC(OFF))	SETPWMC OFF	UPDATE MEMBER TYPE(IMSCON) SET(PSWDMC(OFF))
UPDATE IMSCON TYPE(CONFIG) SET(PSWDMC(RCF))	SETPWMC RCF	UPDATE MEMBER TYPE(IMSCON) SET(PSWDMC(RCF))
UPDATE IMSCON TYPE(CONFIG) SET(RACF(ON))	SETRACF ON	UPDATE MEMBER TYPE(IMSCON) SET(RACF(ON))

Table 51. WTOR and IMS Connect z/OS equivalents for the UPDATE IMSCON TYPE(CONFIG) command (continued)

UPDATE IMSCON TYPE(CONFIG) command	Equivalent IMS Connect WTOR command	Equivalent IMS Connect z/OS command
UPDATE IMSCON TYPE(CONFIG) SET(RACF(OFF))	SETRACF OFF	UPDATE MEMBER TYPE(IMSCON) SET(RACF(OFF))
UPDATE IMSCON TYPE(CONFIG) SET(RRS(ON))	SETRRS ON	UPDATE MEMBER TYPE(IMSCON) SET(RRS(ON))
UPDATE IMSCON TYPE(CONFIG) SET(RRS(OFF))	SETRRS OFF	UPDATE MEMBER TYPE(IMSCON) SET(RRS(OFF))
UPDATE IMSCON TYPE(CONFIG) SET(UIDCACHE(ON))	SETUIDC ON	UPDATE MEMBER TYPE(IMSCON) SET(UIDCACHE(ON))
UPDATE IMSCON TYPE(CONFIG) SET(UIDCACHE(OFF))	SETUIDC OFF	UPDATE MEMBER TYPE(IMSCON) SET(UIDCACHE(OFF))
UPDATE IMSCON TYPE(CONFIG) START(RECORDE)	RECORDER OPEN	UPDATE MEMBER TYPE(IMSCON) START(TRACE)
UPDATE IMSCON TYPE(CONFIG) STOP(RECORDE)	RECORDER CLOSE	UPDATE MEMBER TYPE(IMSCON) STOP(TRACE)

Table 52. WTOR and IMS Connect z/OS equivalents for the UPDATE IMSCON TYPE(CONVERTER) command

UPDATE IMSCON TYPE(CONVERTER) command	Equivalent IMS Connect WTOR command	Equivalent IMS Connect z/OS command
UPDATE IMSCON TYPE(CONVERTER) NAME( <i>converter_name</i> ) OPTION(REFRESH)	REFRESH CONVERTER NAME( <i>converter_name</i> )	UPDATE CONVERTER NAME( <i>converter_name</i> ) OPTION(REFRESH)

Table 53. WTOR and IMS Connect z/OS equivalents for the UPDATE IMSCON TYPE(DATASTORE) command.

UPDATE IMSCON TYPE(DATASTORE) command	Equivalent IMS Connect WTOR command	Equivalent IMS Connect z/OS command
UPDATE IMSCON TYPE(DATASTORE) NAME( <i>datastore_name</i> ) START(COMM)	OPENDS <i>datastore_id</i> STARTDS <i>datastore_id</i>	UPDATE DATASTORE NAME( <i>datastoreName</i> ) START(COMM)
UPDATE IMSCON TYPE(DATASTORE) NAME( <i>datastore_name</i> ) STOP(COMM)	STOPDS <i>datastore_id</i>	UPDATE DATASTORE NAME( <i>datastoreName</i> ) STOP(COMM)
UPDATE IMSCON TYPE(DATASTORE) NAME( <i>datastore_name</i> ) SET()	None	None

Table 54. WTOR and IMS Connect z/OS equivalents for the UPDATE IMSCON TYPE(IMSPLEX) command.

UPDATE IMSCON TYPE(IMSPLEX) command	Equivalent IMS Connect WTOR command	Equivalent IMS Connect z/OS command
UPDATE IMSCON TYPE(IMSPLEX) NAME( <i>imsplex_name</i> ) START(COMM)	OPENIP <i>imsplex_id</i> STARTIP <i>imsplex_id</i>	UPDATE IMSPLEX NAME( <i>imsplex_name</i> ) START(COMM)
UPDATE IMSCON TYPE(IMSPLEX) NAME( <i>imsplex_name</i> ) STOP(COMM)	STOPIP <i>imsplex_id</i>	UPDATE IMSPLEX NAME( <i>imsplex_name</i> ) STOP(COMM)

Table 55. WTOR and IMS Connect z/OS equivalents for the UPDATE IMSCON TYPE(LINK) command

UPDATE IMSCON TYPE(LINK) command	Equivalent IMS Connect WTOR command	Equivalent IMS Connect z/OS command
UPDATE IMSCON TYPE(LINK) NAME( <i>logical_link_name</i> ) STOP(COMM)	STOPLINK <i>logical_link_name</i>	DELETE LINK NAME( <i>linkName</i> )
UPDATE IMSCON TYPE(LINK) NAME( <i>logical_link_name</i> ) MSC( <i>lclplk_id</i> ) STOP(COMM)	STOPLINK <i>logical_link_name lclplk_id</i>	DELETE LINK NAME( <i>linkname</i> ) LCLPLKID( <i>lclPlkid</i> )

Table 56. WTOR and IMS Connect z/OS equivalents for the UPDATE IMSCON TYPE(MSC) command

UPDATE IMSCON TYPE(MSC) command	Equivalent IMS Connect WTOR command	Equivalent IMS Connect z/OS command
UPDATE IMSCON TYPE(MSC) NAME( <i>lclPlkid</i> ) START(COMM)	STARTMSC <i>lclPlkid</i>	UPDATE MSC NAME( <i>lclPlkid</i> ) START(COMM)
UPDATE IMSCON TYPE(MSC) NAME( <i>lclPlkid</i> ) STOP(COMM)	STOPMSC <i>lclPlkid</i>	UPDATE MSC NAME( <i>lclPlkid</i> ) STOP(COMM)

Table 57. WTOR and IMS Connect z/OS equivalents for the UPDATE IMSCON TYPE(ODBM) command

UPDATE IMSCON TYPE(ODBM) command	Equivalent IMS Connect WTOR command	Equivalent IMS Connect z/OS command
UPDATE IMSCON TYPE(ODBM) NAME( <i>odbm_name</i> ) START(COMM)	STARTOD <i>odbm_name</i>	UPDATE ODBM NAME( <i>odbmName</i> ) START(COMM)
UPDATE IMSCON TYPE(ODBM) NAME( <i>odbm_name</i> ) STOP(COMM)	STOPOD <i>odbm_name</i>	UPDATE ODBM NAME( <i>odbmName</i> ) STOP(COMM)

Table 58. WTOR and IMS Connect z/OS equivalents for the UPDATE IMSCON TYPE(PORT) command.

UPDATE IMSCON TYPE(PORT) command	Equivalent IMS Connect WTOR command	Equivalent IMS Connect z/OS command
UPDATE IMSCON TYPE(PORT) NAME( <i>port_name</i> ) START(COMM)	OPENPORT <i>port_id</i> STARTPT <i>port_id</i>	UPDATE PORT NAME( <i>port_name</i> ) START(COMM)

Table 58. WTOR and IMS Connect z/OS equivalents for the UPDATE IMSCON TYPE(PORT) command (continued).

UPDATE IMSCON TYPE(PORT) command	Equivalent IMS Connect WTOR command	Equivalent IMS Connect z/OS command
UPDATE IMSCON TYPE(PORT) NAME( <i>port_name</i> ) STOP(COMM)	STOPPORT <i>port_id</i>	UPDATE PORT NAME( <i>port_name</i> ) STOP(COMM)

Table 59. WTOR and IMS Connect z/OS equivalents for the UPDATE IMSCON TYPE(RACFUID) command

UPDATE IMSCON TYPE(RACFUID) command	Equivalent IMS Connect WTOR command	Equivalent IMS Connect z/OS command
UPDATE IMSCON TYPE(RACFUID) NAME( <i>userid</i> ) OPTION(REFRESH)	REFRESH RACFUID NAME( <i>userid</i> )	UPDATE RACFUID NAME( <i>userid</i> ) OPTION(REFRESH)

Table 60. WTOR and IMS Connect z/OS equivalents for the UPDATE IMSCON TYPE(RMTIMSCON) command

UPDATE IMSCON TYPE(RMTIMSCON) command	Equivalent IMS Connect WTOR command	Equivalent IMS Connect z/OS command
UPDATE IMSCON TYPE(RMTIMSCON) NAME( <i>rmtimscon_name</i> ) START(COMM)	STARTRMT <i>rmtimsconName</i>	UPDATE RMTIMSCON NAME( <i>rmtimsconName</i> ) START(COMM)
UPDATE IMSCON TYPE(RMTIMSCON) NAME( <i>rmtimscon_name</i> ) STOP(COMM)	STOPRMT <i>rmtimsconName</i>	UPDATE RMTIMSCON NAME( <i>rmtimsconName</i> ) STOP(COMM)

Table 61. WTOR and MS Connect z/OS equivalents for the UPDATE IMSCON TYPE(SENDCLNT) command

UPDATE IMSCON TYPE(SENDCLNT) command	Equivalent IMS Connect WTOR command	Equivalent IMS Connect z/OS command
UPDATE IMSCON TYPE(SENDCLNT) NAME( <i>sendclient_name</i> ) RMTIMSCON( <i>rmtimscon_name</i> ) STOP(COMM)	STOPSCLN <i>rmtimscon sendclient</i>	DELETE RMTIMSCON NAME( <i>rmtimsconname</i> ) SENDCLNT( <i>clientid</i> )
UPDATE IMSCON TYPE(SENDCLNT) NAME( <i>sendclient_name</i> ) RMTICICS( <i>rmtcics_name</i> ) STOP(COMM)	STOPSCLN <i>rmtcics sendclient</i>	No equivalent z/OS command



---

## Chapter 23. IMS Connect type-2 commands

IMS Connect type-2 commands are provided to simplify the management of IMS Connect resources in an IMSplex environment. Like all type-2 commands, IMS Connect type-2 commands are supported only through the Operations Manager (OM) API, such as TSO SPOC, REXX SPOC API, and Batch SPOC.

IMS Connect type-2 commands are described with all of the other IMS type-2 commands.

**Related reference:**

- [➞ CREATE IMSCON commands \(Commands\)](#)
- [➞ DELETE IMSCON commands \(Commands\)](#)
- [➞ QUERY IMSCON commands \(Commands\)](#)
- [➞ UPDATE IMSCON commands \(Commands\)](#)



---

## Chapter 24. IMS Connect WTOR commands

All IMS Connect WTOR commands must be immediately preceded on the command line of the z/OS system console by the reply number of the outstanding IMS Connect reply message (for example, *nn*HWSCMD where *nn* is the reply number).

**Related reference:**

➔ Equivalent IMS Connect WTOR, z/OS, and type-2 commands (Commands)

---

### CLOSEHWS command

Use the CLOSEHWS command to terminate IMS Connect.

Subsections:

- “Syntax”
- “Keywords”
- “Usage notes” on page 520
- “Equivalent IMS Connect type-2 and z/OS commands” on page 520
- “Examples” on page 521

#### Syntax



#### Keywords

The following keywords are valid for the CLOSEHWS command:

**nn** 2-digit number of z/OS system console outstanding display.

##### FORCE

Specifies that termination is to end all client and data store connections immediately, which forces any IMS applications that are executing for the connected clients to abnormally terminate.

##### QUIESCE

Specifies that termination is to end all client and data store connections in a controlled manner. If no parameter is specified for the CLOSEHWS command, this parameter is used by default.

All work that is currently in progress, or that is queued for processing, is completed before IMS Connect is terminated. No new work is accepted after this command has been entered and accepted.

IMS Connect shuts down in the following order:

1. All active units of work for clients/browsers are completed.
2. Communication between IMS Connect and IMS is terminated.
3. IMS Connect terminates.

## Usage notes

Use the CLOSEHWS command to terminate IMS Connect.

For IMS-to-IMS TCP/IP connections, CLOSEHWS closes all send socket connections that are in CONN state. For any send socket connections that are in RECV state IMS Connect waits indefinitely for an ACK or NAK. IMS Connect terminates only after an ACK or NAK is received for all connections that are in a RECV state.

Using the FORCE parameter terminates client and data store activity immediately. Using the QUIESCE parameter enables client and IMS host applications to run to completion. You can issue a CLOSEHWS FORCE command after issuing a CLOSEHWS QUIESCE command.

For IMS-to-IMS TCP/IP connections, the CLOSEHWS FORCE closes all send socket connections. For any send socket connections that are in RECV state, IMS Connect sends a NAK to OTMA that directs OTMA to reroute the message to the OTMA timeout queue, DFS\$\$TOQ.

## Equivalent IMS Connect type-2 and z/OS commands

The following table lists IMS Connect type-2 commands and IMS Connect z/OS commands that perform similar functions as the CLOSEHWS command.

CLOSEHWS command	Equivalent IMS Connect type-2 command	Equivalent IMS Connect z/OS command
CLOSEHWS	UPDATE IMSCON TYPE(CONFIG) SHUTDOWN(COMM)	SHUTDOWN MEMBER
CLOSEHWS FORCE	UPDATE IMSCON TYPE(CONFIG) SHUTDOWN(COMM) OPTION(FORCE)	SHUTDOWN MEMBER OPTION(FORCE)
CLOSEHWS QUIESCE	UPDATE IMSCON TYPE(CONFIG) SHUTDOWN(COMM) OPTION QUIESCE	SHUTDOWN MEMBER OPTION(QUIESCE)

You can also use the z/OS MVS system commands STOP or CANCEL to terminate IMS Connect.

If you need to use a z/OS MVS system command, use the STOP command instead of CANCEL command, because the CANCEL command can leave IMS Connect functions, such as RRS, in unknown states. The results of the STOP command are the same as the IMS Connect CLOSEHWS QUIESCE command.

The following examples show the STOP MVS system command:

```
STOP ims_connect_jobname,dump
```

or

```
STOP ims_connect_jobname
```

The following examples show the CANCEL MVS system command:

```
CANCEL ims_connect_jobname,dump
```

or

CANCEL *ims\_connect\_jobname*

## Examples

To close IMS Connect, you can use either of the following commands:

- *nn*CLOSEHWS QUIESCE
- *nn*CLOSEHWS FORCE

After issuing *nn*CLOSEHWS QUIESCE, if IMS Connect does not terminate because work in progress does not complete quickly enough, you can subsequently issue the *nn*CLOSEHWS FORCE command.

Where *nn* is the 2-digit number of z/OS system console outstanding display.

### Related reference:

 UPDATE IMSCON TYPE(CONFIG) command (Commands)  
"IMS Connect SHUTDOWN MEMBER command" on page 661

---

## OPENDS command

Use the OPENDS command to start communication between the IMS Connect and a data store.

Subsections:

- "Syntax"
- "Keywords"
- "Usage notes"
- "Equivalent IMS Connect type-2 and z/OS commands" on page 522
- "Examples" on page 522

### Syntax

►► *nn*OPENDS *datastore\_id* ◀◀

### Keywords

The following keywords are valid for the OPENDS command:

*nn* 2-digit number of z/OS system console outstanding display.

#### *datastore\_id*

Specifies the name of the data store. This name must be defined to the IMS Connect through the configuration member HWSCFGxx, and must match one of the IDs that is defined in the DATASTORE configuration statement or statements.

### Usage notes

Use this command to reestablish communication with a data store after communication fails between the IMS Connect and the data store. For example, use this command to restart communication when all activity for the data store in the IMS Connect is terminated, or after a STOPDS command has terminated communication with the data store.

Use the VIEWDS command to display information about data stores if you are not sure about the activity of a particular data store.

The OPENDS command does not affect a data store that is already active or a data store that is not defined to the IMS Connect in the configuration member HWSCFGxx.

## Equivalent IMS Connect type-2 and z/OS commands

The following table lists IMS Connect type-2 commands and IMS Connect z/OS commands that perform similar functions as the OPENDS command.

OPENDS command	Equivalent IMS Connect type-2 command	Equivalent IMS Connect z/OS command
OPENDS <i>datastore_id</i>	UPDATE IMSCON TYPE(DATASTORE) NAME( <i>datastore_name</i> ) START(COMM)	UPDATE DATASTORE NAME( <i>datastoreName</i> ) START(COMM)


## Examples

To open communication to data store IMSA:

```
nnOPENDS IMSA
```

Where *nn* is the 2-digit number of z/OS system console outstanding display.

**Related reference:**

-  UPDATE IMSCON TYPE(DATASTORE) command (Commands)
- “IMS Connect UPDATE DATASTORE command” on page 665
- “STARTDS command” on page 534

---

## OPENIP command

Use the OPENIP command to start communication between the IMS Connect and the IMSplex that contains OM which is connected to SCI.

Subsections:

- “Syntax”
- “Keywords”
- “Usage notes” on page 523
- “Equivalent IMS Connect type-2 and z/OS commands” on page 523
- “Examples” on page 523

### Syntax

```
►►—nnOPENIP—imsplex_id—————►►
```

### Keywords

The following keywords are valid for the OPENIP command:

*nn* 2-digit number of z/OS system console outstanding display.

### *imsplex\_id*

Specifies the name of the IMSplex. This name must be defined to the IMS Connect through the configuration member HWSCFGxx, and must match the TMEMBER that is defined in the IMSplex configuration statement.

## Usage notes

Use this command to reestablish communication with the IMSplex that is being used to communicate with OM if communication has failed between IMS Connect and the IMSplex. For example, use this command to restart communication when all activity for the IMSplex in the IMS Connect is terminated, or after a STOPIP command has terminated communication with the IMSplex IMS that contains OM.

Use the VIEWIP command to display information about the IMSplex if you are not sure about the activity of the IMSplex.

The OPENIP command does not affect the IMSplex if the IMSplex is already active or if the IMSplex is not defined to IMS Connect in the configuration member HWSCFGxx.

## Equivalent IMS Connect type-2 and z/OS commands

The following table lists IMS Connect type-2 commands and IMS Connect z/OS commands that perform similar functions as the OPENIP command.

OPENIP command	Equivalent IMS Connect type-2 command	Equivalent IMS Connect z/OS command
OPENIP <i>imsplex_id</i>	UPDATE IMSCON TYPE(IMSPLEX) NAME( <i>imsplex_name</i> ) START(COMM)	UPDATE IMSPLEX NAME( <i>imsplex_name</i> ) START(COMM)

## Examples

To open communication to IMSplex with TMEMBER name of IMSPLEX1:

```
nnOPENIP IMSPLEX1
```

### Related reference:

 [UPDATE IMSCON TYPE\(IMSPLEX\) command \(Commands\)](#)

[“IMS Connect UPDATE IMSPLEX command” on page 666](#)

[“STARTIP command” on page 536](#)

---

## OPENPORT command

Use the OPENPORT command to reestablish IMS Connect communication with TCP/IP to enable listening on TCP/IP ports.

### Subsections:

- [“Syntax” on page 524](#)
- [“Keywords” on page 524](#)
- [“Usage notes” on page 524](#)
- [“Equivalent IMS Connect type-2 and z/OS commands” on page 524](#)
- [“Examples” on page 524](#)

## Syntax

► *nn*OPENPORT *portid* ◀

## Keywords

The following keywords are valid for the OPENPORT command:

***nn*** 2-digit number of z/OS system console outstanding display.

### ***portid***

Identifies the number of the port to be opened. This port number must match one of the port numbers that is defined in the PORTID substatement of the TCPIP configuration statement in the HWSCFGxx configuration member. For the local option port, specify a portid value of LOCAL. Wildcards (\* and %) are supported in the number.

## Usage notes

Use this command to reestablish a TCP/IP connection to enable listening on a TCP/IP port. Use this command when communication stops between the IMS Connect and a TCP/IP port, but the IMS Connect has not terminated.

## Equivalent IMS Connect type-2 and z/OS commands

The following table lists IMS Connect type-2 commands and IMS Connect z/OS commands that perform similar functions as the OPENPORT command.

OPENPORT command	Equivalent IMS Connect type-2 command	Equivalent IMS Connect z/OS command
OPENPORT <i>port_id</i>	UPDATE IMSCON TYPE(PORT) NAME( <i>port_name</i> ) START(COMM)	UPDATE PORT NAME( <i>port_name</i> ) START(COMM)


## Examples

To reestablish the TCP/IP connection between the IMS Connect and port 9999 so that the IMS Connect can listen on that port:

```
nnOPENPORT 9999
```

Where *nn* is the 2-digit number of z/OS system console outstanding display.

### Related reference:

 UPDATE IMSCON TYPE(PORT) command (Commands)

“IMS Connect UPDATE PORT command” on page 675

“STARTPT command” on page 540

---

## RECORDER command

Use the RECORDER command to open and close the line trace data set.

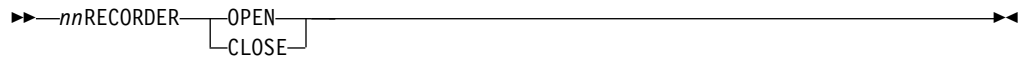
**Recommendation:** Use BPE to manage the output of the IMS Connect Recorder Trace facility in an external trace data set.

Subsections:



- “Syntax”
- “Keywords”
- “Equivalent IMS Connect type-2 and z/OS commands”
- “Examples”

## Syntax



## Keywords

The following keywords are valid for the REORDER command:

**nn** 2-digit number of z/OS system console outstanding display.

### OPEN

Specifies to open the line trace data set.

### CLOSE

Specifies to close the line trace data set.

## Equivalent IMS Connect type-2 and z/OS commands

The following table lists IMS Connect type-2 commands and IMS Connect z/OS commands that perform similar functions as the REORDER command.


REORDER command	Equivalent IMS Connect type-2 command	Equivalent IMS Connect z/OS command
REORDER OPEN	UPDATE IMSCON TYPE(CONFIG) START(REORDER)	UPDATE MEMBER TYPE(IMSCON) START(TRACE)
REORDER CLOSE	UPDATE IMSCON TYPE(CONFIG) STOP(REORDER)	UPDATE MEMBER TYPE(IMSCON) STOP(TRACE)

## Examples


```
nnREORDER OPEN
nnREORDER CLOSE
```

Where *nn* is the 2-digit number of z/OS system console outstanding display.

### Related concepts:

 [IMS Connect traces \(Diagnosis\)](#)

### Related reference:

 [UPDATE IMSCON TYPE\(CONFIG\) command \(Commands\)](#)  
 “IMS Connect UPDATE MEMBER command” on page 668

---

## REFRESH CONVERTER command

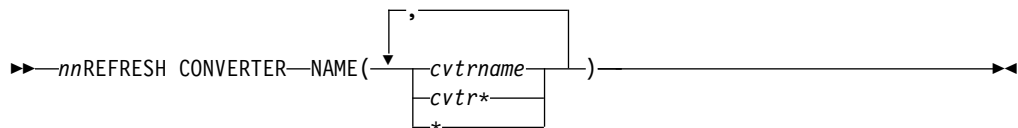
Use the REFRESH CONVERTER command to refresh one or more XML converters without restarting IMS Connect.

This command is equivalent to the z/OS Modify command UPDATE CONVERTER.

Subsections:

- "Syntax"
- "Keywords"
- "Usage notes"
- "Equivalent IMS Connect type-2 and z/OS commands"
- "Examples"

## Syntax



## Keywords

The following keywords are valid for the REFRESH CONVERTER command:

**nn** 2-digit number of z/OS system console outstanding display.

### NAME(*cvtrname*)

Specify one or more XML converters to be refreshed. The wildcard symbol (\*) is supported for pattern matching. Specifying only a wildcard refreshes all XML converters. The total length of all converter names specified on the NAME parameter, including the comma separators, cannot exceed 26 characters in length.

## Usage notes

When the REFRESH CONVERTER command is issued, IMS Connect refreshes the specified XML converter. If a wildcard is specified, IMS Connect refreshes all XML converters that match the mask.

## Equivalent IMS Connect type-2 and z/OS commands

The following table lists IMS Connect type-2 commands and IMS Connect z/OS commands that perform similar functions as the REFRESH CONVERTER command.

REFRESH CONVERTER command	Equivalent IMS Connect type-2 command	Equivalent IMS Connect z/OS command
REFRESH CONVERTER NAME( <i>converter_name</i> )	UPDATE IMSCON TYPE(CONVERTER) NAME( <i>converter_name</i> ) OPTION(REFRESH)	UPDATE CONVERTER NAME( <i>converter_name</i> ) OPTION(REFRESH)

## Examples


Example input for the REFRESH CONVERTER command:

```
nnREFRESH CONVERTER NAME(IMSPBKD)
```

Example output for the REFRESH CONVERTER command:

```
HWSA0375I XML CONVERTER IMSPHBKD WAS SUCCESSFULLY REFRESHED,M=XMLA
```

**Related tasks:**

 [Configuring XML conversion support for IMS Connect clients \(System Definition\)](#)

**Related reference:**

 [UPDATE IMSCON TYPE\(CONVERTER\) command \(Commands\)](#)  
“IMS Connect UPDATE CONVERTER command” on page 663

---

## REFRESH RACFUID command

Use the REFRESH RACFUID command to refresh one or more cached IDs stored in the IMS Connect RACF user ID cache.

This command is equivalent to the UPDATE RACFUID z/OS Modify command.

Subsections:

- “Syntax”
- “Keywords”
- “Usage notes”
- “Equivalent IMS Connect type-2 and z/OS commands”
- “Examples” on page 528

### Syntax

```
nnREFRESH RACFUID—NAME ( uidname )
```

### Keywords

The following keywords are valid for the REFRESH RACFUID command:

**nn** 2-digit number of z/OS system console outstanding display.

**NAME (*uidname*)**

Specify one or more RACF user IDs to be refreshed. The total length of all user IDs, including the comma separators, cannot exceed 26 characters in length.

### Usage notes

When the REFRESH RACFUID command is issued, IMS Connect refreshes the specified ID by issuing the RACROUTE REQUEST=VERIFY command to RACF for the specified ID.

### Equivalent IMS Connect type-2 and z/OS commands

The following table lists IMS Connect type-2 commands and IMS Connect z/OS commands that perform similar functions as the REFRESH RACFUID command.

REFRESH RACFUID command	Equivalent IMS Connect type-2 command	Equivalent IMS Connect z/OS command
REFRESH RACFUID NAME( <i>userid</i> )	UPDATE IMSCON TYPE(RACFUID) NAME( <i>userid</i> ) OPTION(REFRESH)	UPDATE RACFUID NAME( <i>userid</i> ) OPTION(REFRESH)

## Examples

Example input for the REFRESH RACFUID command:

```
nnREFRESH RACFUID NAME(USRT001)
```

Example output for the REFRESH RACFUID command:

```
HWSP1504I RACF USERID USRT001 WAS SUCCESSFULLY REFRESHED,M=CUPR
```

### Related concepts:

[↗](#) IMS Connect RACF user ID cache (Communications and Connections)

### Related reference:

[↗](#) UPDATE IMSCON TYPE(RACFUID) command (Commands)

“IMS Connect UPDATE RACFUID command” on page 676

---

## SETOAUTO command

Use the SETOAUTO command to turn on and off automatic connection with an Open Database Manager (ODBM).

Subsections:

- “Syntax”
- “Keywords”
- “Usages”
- “Equivalent IMS Connect type-2 and z/OS commands” on page 529
- “Examples” on page 529

### Syntax

```

▶▶ nnSETOAUTO YES  
NO

```

### Keywords

The following keywords are valid for the SETOAUTO command:

**nn** 2-digit number of z/OS system console outstanding display.

**YES | NO**

Specifies to turn on or off automatic connection with ODBM.

### Usages

You can use the SETOAUTO command to specify whether IMS Connect automatically connects to ODBM when either IMS Connect is started or an instance of ODBM is activated in the IMSplex.

When automatic connection with ODBM is set to YES, IMS Connect will connect to all the future ODBMs that enter the IMSplex. This option can be specified in the ODBMAUTOCONN= parameter of the IMS Connect configuration member.

When automatic connection with ODBM is set to NO, IMS Connect will not register with any future ODBMs that enter the IMSplex. After turning off the automatic connection of IMS Connect to ODBM, you can connect to ODBM manually by using the STARTOD command to open communication with an instance of ODBM.

## Equivalent IMS Connect type-2 and z/OS commands

The following table lists IMS Connect type-2 commands and IMS Connect z/OS commands that perform similar functions as the SETOAUTO command.


SETOAUTO command	Equivalent IMS Connect type-2 command	Equivalent IMS Connect z/OS command
SETOAUTO YES	UPDATE IMSCON TYPE(CONFIG) SET(OAUTO(ON))	UPDATE MEMBER TYPE(IMSCON) SET(OAUTO(ON))
SETOAUTO NO	UPDATE IMSCON TYPE(CONFIG) SET(OAUTO(OFF))	UPDATE MEMBER TYPE(IMSCON) SET(OAUTO(OFF))

## Examples

To set automatic connections to future ODBMs that enter the IMSplex:

```
nnSETOAUTO YES
```

### Related reference:

 [UPDATE IMSCON TYPE\(CONFIG\) command \(Commands\)](#)  
[“IMS Connect UPDATE MEMBER command” on page 668](#)

## SETPWMC command

If the security product that you use, such as RACF, supports mixed-case passwords, the SETPWMC command enables IMS Connect support for mixed-case passwords.

By default, IMS Connect determines the need for mixed-case password support based on the specification for mixed-case password support in the RACF configuration.

You can also use the SETPWMC command to disable IMS Connect support for mixed-case passwords. When IMS Connect support for mixed-case passwords is disabled, IMS Connect converts all lowercase characters in a password to uppercase characters.

### Subsections:

- “Syntax” on page 530
- “Keywords” on page 530
- “Equivalent IMS Connect type-2 and z/OS commands” on page 530
- “Examples” on page 530

## Syntax



## Keywords

The following keywords are valid for the SETPWMC command:

**nn** 2-digit number of z/OS system console outstanding display.

**ON | OFF | RCF**

Identifies if IMS Connect support for mixed-case passwords is turned on or off, or if it depends on the mixed-case password specification in RACF. If mixed-case password support is turned off, IMS Connect converts any lowercase characters in passwords to uppercase characters. If mixed-case password support depends on the mixed-case password specification in RACF and if the mixed-case password specification in RACF is not set, IMS Connect converts any lowercase characters in passwords to uppercase characters.

## Equivalent IMS Connect type-2 and z/OS commands

The following table lists IMS Connect type-2 commands and IMS Connect z/OS commands that perform similar functions as the SETPWMC command.

SETPWMC command	Equivalent IMS Connect type-2 command	Equivalent IMS Connect z/OS command
SETPWMC ON	UPDATE IMSCON TYPE(CONFIG) SET(PSWDMC(ON))	UPDATE MEMBER TYPE(IMSCON) SET(PSWDMC(ON))
SETPWMC OFF	UPDATE IMSCON TYPE(CONFIG) SET(PSWDMC(OFF))	UPDATE MEMBER TYPE(IMSCON) SET(PSWDMC(OFF))
SETPWMC RCF	UPDATE IMSCON TYPE(CONFIG) SET(PSWDMC(RCF))	UPDATE MEMBER TYPE(IMSCON) SET(PSWDMC(RCF))

## Examples

To enable support for mixed-case passwords, type the following command:

```
nnSETPWMC ON
```

Where *nn* is the 2-digit number of z/OS system console outstanding display.

**Related reference:**

 [UPDATE IMSCON TYPE\(CONFIG\) command \(Commands\)](#)

“IMS Connect UPDATE MEMBER command” on page 668

---

## SETRACF command

Use the SETRACF command to turn on and off the RACF flag.

Subsections:

- “Syntax”
- “Keywords”
- “Usage notes”
- “Equivalent IMS Connect type-2 and z/OS commands”
- “Examples”

### Syntax

► *nn*SETRACF ON  
OFF ◀

### Keywords

The following keywords are valid for the SETRACF command:

*nn* 2-digit number of z/OS system console outstanding display.

**ON | OFF**

Identifies whether the RACF flag is turned on or off.

### Usage notes

Use this command to enable or disable the RACF user identification and verification.

### Equivalent IMS Connect type-2 and z/OS commands

The following table lists IMS Connect type-2 commands and IMS Connect z/OS commands that perform similar functions as the SETRACF command.

SETRACF command	Equivalent IMS Connect type-2 command	Equivalent IMS Connect z/OS command
SETRACF ON	UPDATE IMSCON TYPE(CONFIG) SET(RACF(ON))	UPDATE MEMBER TYPE(IMSCON) SET(RACF(ON))
SETRACF OFF	UPDATE IMSCON TYPE(CONFIG) SET(RACF(OFF))	UPDATE MEMBER TYPE(IMSCON) SET(RACF(OFF))

### Examples

To turn on the RACF:

```
nnSETRACF ON
```

Where *nn* is the 2-digit number of z/OS system console outstanding display.

**Related reference:**

 [UPDATE IMSCON TYPE\(CONFIG\) command \(Commands\)](#)

## SETRRS command

Use the SETRRS command to enable or disable communication between IMS Connect and z/OS Resource Recovery Services (RRS).

Subsections:

- “Syntax”
- “Keywords”
- “Usage notes”
- “Equivalent IMS Connect type-2 and z/OS commands”
- “Examples”

### Syntax

```

▶▶ nnSETRRS ON  
OFF

```

### Keywords

The following keywords are valid for the SETRRS command:

*nn* 2-digit number of z/OS system console outstanding display.

**ON | OFF**

Identifies whether to enable RRS communication.

### Usage notes

To enable or disable communication between IMS Connect and RRS. RRS is required for two-phase-commit support.

### Equivalent IMS Connect type-2 and z/OS commands

The following table lists IMS Connect type-2 commands and IMS Connect z/OS commands that perform similar functions as the SETRRS command.

SETRRS command	Equivalent IMS Connect type-2 command	Equivalent IMS Connect z/OS command
SETRRS ON	UPDATE IMSCON TYPE(CONFIG) SET(RRS(ON))	UPDATE MEMBER TYPE(IMSCON) SET(RRS(ON))
SETRRS OFF	UPDATE IMSCON TYPE(CONFIG) SET(RRS(OFF))	UPDATE MEMBER TYPE(IMSCON) SET(RRS(OFF))

### Examples

To disable communication between IMS Connect and RRS:

```
nnSETRRS OFF
```

Where *nn* is the 2-digit number of z/OS system console outstanding display.



**Related reference:**

➡ UPDATE IMSCON TYPE(CONFIG) command (Commands)  
“IMS Connect UPDATE MEMBER command” on page 668

---

## SETUIDC command

Use the SETUIDC command to enable or disable the IMS Connect RACF user ID cache.

This command is equivalent to the SET UIDCACHE statement of the UPDATE MEMBER z/OS Modify command.

Subsections:

- “Syntax”
- “Keywords”
- “Usage notes”
- “Equivalent IMS Connect type-2 and z/OS commands”
- “Examples” on page 534

### Syntax

▶▶ *nn*SETUIDC ON  
OFF ▶▶

### Keywords

The following keywords are valid for the SETUIDC command:

*nn* 2-digit number of z/OS system console outstanding display.

**ON | OFF**

Enables or disables the IMS Connect RACF user ID cache.

### Usage notes

This command is valid only if IMS Connect support for RACF is enabled.

### Equivalent IMS Connect type-2 and z/OS commands

The following table lists IMS Connect type-2 commands and IMS Connect z/OS commands that perform similar functions as the SETUIDC command.

SETUIDC command	Equivalent IMS Connect type-2 command	Equivalent IMS Connect z/OS command
SETUIDC ON	UPDATE IMSCON TYPE(CONFIG) SET(UIDCACHE(ON))	UPDATE MEMBER TYPE(IMSCON) SET(UIDCACHE(ON))
SETUIDC OFF	UPDATE IMSCON TYPE(CONFIG) SET(UIDCACHE(OFF))	UPDATE MEMBER TYPE(IMSCON) SET(UIDCACHE(OFF))

## Examples

Example input for the SETUIDC command:

```
nnSETUIDC ON
```

Example output for the SETUIDC command:

```
HWSP1501I RACF USERID CACHING ENABLED,M=SDRC
```

**Related concepts:**

 [IMS Connect RACF user ID cache \(Communications and Connections\)](#)

**Related reference:**

 [UPDATE IMSCON TYPE\(CONFIG\) command \(Commands\)](#)

“IMS Connect UPDATE MEMBER command” on page 668

---

## STARTDS command

Use the STARTDS command to start communication between the IMS Connect and a data store.

Subsections:

- “Syntax”
- “Keywords”
- “Usage notes”
- “Equivalent IMS Connect type-2 and z/OS commands” on page 535
- “Examples” on page 535

### Syntax

►► *nn*STARTDS—*datastore\_id* ◀◀

### Keywords

The following keywords are valid for the STARTDS command:

*nn* 2-digit number of z/OS system console outstanding display.

*datastore\_id*

Specifies the name of the data store. This name must be defined to the IMS Connect through the configuration member *HWSCFGxx*, and must match one of the IDs that is defined in the *DATASTORE* configuration statement or statements.

### Usage notes

Use this command to reestablish communication with a data store after communication fails between the IMS Connect and the data store. For example, use this command to restart communication when all activity for the data store in the IMS Connect is terminated, or after a STOPDS command has terminated communication with the data store.

Use the VIEWDS command to display information about data stores if you are not sure about the activity of a particular data store.

The STARTDS command does not affect a data store that is already active or a data store that is not defined to the IMS Connect in the configuration member HWSCFGxx.

## Equivalent IMS Connect type-2 and z/OS commands

The following table lists IMS Connect type-2 commands and IMS Connect z/OS commands that perform similar functions as the STARTDS command.

STARTDS command	Equivalent IMS Connect type-2 command	Equivalent IMS Connect z/OS command
STARTDS <i>datastore_id</i>	UPDATE IMSCON TYPE(DATASTORE) NAME( <i>datastore_name</i> ) START(COMM)	UPDATE DATASTORE NAME( <i>datastoreName</i> ) START(COMM)

## Examples

To open communication to data store IMSA:

```
nnSTARTDS IMSA
```

Where *nn* is the 2-digit number of z/OS system console outstanding display.

**Related reference:**

 UPDATE IMSCON TYPE(DATASTORE) command (Commands)

“OPENDS command” on page 521

“IMS Connect UPDATE DATASTORE command” on page 665

## STARTIA command

Use the STARTIA command to enable message routing to an IMS alias that is managed by one or more Open Database Manager (ODBM) instances. Alias represents the IMS data store that the client wants to send the message to.

The STARTIA command sets the specified alias to active so that IMS Connect can route to that alias.

Subsections:

- “Syntax”
- “Keywords”
- “Usage notes” on page 536
- “Equivalent IMS Connect type-2 and z/OS commands” on page 536
- “Examples” on page 536

## Syntax

```
►► nnSTARTIA alias_name odbm_name ◀◀
```

## Keywords

The following keywords are valid for the STARTIA command:

*nn* 2-digit number of z/OS system console outstanding display.

**alias\_name**

Specifies the name of the IMS alias. Wildcards (\* and %) are supported in the name.

**odbm\_name**

Specifies the name of the ODBM. Wildcards (\* and %) are supported in the name. This parameter is optional.

**Usage notes**

Whereas the STARTOD command starts communication between the IMS Connect and an IMS Open Database Manager (ODBM), the STARTIA command sets the specified IMS alias to active so that IMS Connect can route to that alias.

**Equivalent IMS Connect type-2 and z/OS commands**

The following table lists IMS Connect type-2 commands and IMS Connect z/OS commands that perform similar functions as the STARTIA command.

STARTIA command	Equivalent IMS Connect type-2 command	Equivalent IMS Connect z/OS command
STARTIA <i>alias_name</i> <i>odbm_name</i>	UPDATE IMSCON TYPE(ALIAS) NAME( <i>alias_name</i> ) ODBM( <i>odbm_name</i> ) START(COMM)	UPDATE ALIAS NAME( <i>aliasName</i> ) ODBM( <i>odbmName</i> ) START(ROUTE)

**Examples**

To activate an alias named IMS1 for ODBM named ODBM1OD:

```
nnSTARTIA IMS1 ODBM1OD
```

**Related reference:**

“STOPIA command” on page 545

 UPDATE IMSCON TYPE(ALIAS) command (Commands)

“IMS Connect UPDATE ALIAS command” on page 662

**STARTIP command**

Use the STARTIP command to start communication between the IMS Connect and the IMSplex that contains OM which is connected to SCI.

Subsections:

- “Syntax”
- “Keywords” on page 537
- “Usage notes” on page 537
- “Equivalent IMS Connect type-2 and z/OS commands” on page 537
- “Examples” on page 537

**Syntax**

►—*nn*STARTIP—*imsplex\_id*—◄

## Keywords

The following keywords are valid for the STARTIP command:

***nn*** 2-digit number of z/OS system console outstanding display.

***imsplex\_id***

Specifies the name of the IMSplex. This name must be defined to the IMS Connect through the configuration member HWSCFGxx, and must match the TMEMBER that is defined in the IMSplex configuration statement.

## Usage notes

Use this command to reestablish communication with the IMSplex that is being used to communicate with OM if communication has failed between IMS Connect and the IMSplex. For example, use this command to restart communication when all activity for the IMSplex in the IMS Connect is terminated, or after a STOPIP command has terminated communication with the IMSplex IMS that contains OM.

If the IMS Connect instance supports ISC or MSC TCP/IP links, IMS Connect changes the status of the links that it supports in the IMSplex to ACTIVE.

Use the VIEWIP command to display information about the IMSplex if you are not sure about the activity of the IMSplex.

The STARTIP command does not affect the IMSplex if the IMSplex is already active or if the IMSplex is not defined to IMS Connect in the configuration member HWSCFGxx.

## Equivalent IMS Connect type-2 and z/OS commands

The following table lists IMS Connect type-2 commands and IMS Connect z/OS commands that perform similar functions as the STARTIP command.

STARTIP command	Equivalent IMS Connect type-2 command	Equivalent IMS Connect z/OS command
STARTIP <i>imsplex_id</i>	UPDATE IMSCON TYPE(IMSPLEX) NAME( <i>imsplex_name</i> ) START(COMM)	UPDATE IMSPLEX NAME( <i>imsplex_name</i> ) START(COMM)

## Examples

To open communication to IMSplex with TMEMBER name of IMSPLEX1:

```
nnSTARTIP IMSPLEX1
```

Where *nn* is the 2-digit number of z/OS system console outstanding display.

### Related reference:

 [UPDATE IMSCON TYPE\(IMSPLEX\) command \(Commands\)](#)

["OPENIP command" on page 522](#)

["IMS Connect UPDATE IMSPLEX command" on page 666](#)

---

## STARTMSC command

Use the STARTMSC command in a local instance of IMS Connect to resume communications on an MSC physical link after the communications on the physical link are stopped by a STOPMSC command or an UPDATE MSC STOP(COMM) command.

Subsections:

- "Syntax"
- "Keywords"
- "Usage notes"
- "Equivalent IMS Connect type-2 and z/OS commands"
- "Examples"

### Syntax

►► *nn*STARTMSC *lclplk\_id* ◀◀

### Keywords

The following keywords are valid for the STARTMSC command:

*nn* 2-digit number of z/OS system console outstanding display.

*lclplk\_id*

The ID of the MSC physical link, as specified on the LCLPLKID parameter of the MSC statement that defines the physical link to IMS Connect.

### Usage notes

When the STARTMSC command is issued, IMS Connect resumes communications on the specified MSC physical link and changes the status of the physical link to ACTIVE.

Use the VIEWMSC command or the QUERY MSC command to display information about MSC physical links that are defined to IMS Connect.

### Equivalent IMS Connect type-2 and z/OS commands

The following table lists IMS Connect type-2 commands and IMS Connect z/OS commands that perform similar functions as the STARTMSC command.

STARTMSC command	Equivalent IMS Connect type-2 command	Equivalent IMS Connect z/OS command
STARTMSC <i>lclplk_id</i>	UPDATE IMSCON TYPE(MSC) NAME( <i>lclPlkid</i> ) START(COMM)	UPDATE MSC NAME( <i>lclPlkid</i> ) START(COMM)

### Examples

Example input for the STARTMSC command:


*nn*STARTMSC MSC12

Example output for the STARTMSC command:

```
HWSF3300I COMMUNICATIONS ON MSC PHYSICAL LINK MSC12 STARTED; M=ISC1
```

**Related reference:**

“IMS Connect UPDATE MSC command” on page 671

 UPDATE IMSCON TYPE(MSC) command (Commands)

---

## STARTOD command

Use the STARTOD command to start communication between the IMS Connect and an IMS Open Database Manager (ODBM).

Subsections:

- “Syntax”
- “Keywords”
- “Usage notes”
- “Equivalent IMS Connect type-2 and z/OS commands” on page 540
- “Examples” on page 540

### Syntax

►► *nn*STARTOD—*odbm\_name* ◀◀

### Keywords

The following keywords are valid for the STARTOD command:

*nn* 2-digit number of z/OS system console outstanding display.

***odbm\_name***

Specifies the name of the ODBM. Wildcards (\* and %) are supported in the name.

### Usage notes

Use the STARTOD command to reestablish communication with an ODBM after communication fails between the IMS Connect and the ODBM. For example, use this command to restart communication when all activities for the ODBM in the IMS Connect is terminated, or after a STOPOD command has terminated communication with the ODBM. The STARTOD command makes a connection to ODBM and automatically sets all the aliases of that ODBM to active so that messages can be routed to those aliases. After the STARTOD command is issued, the ODBM status will be REGISTERED.

If ODBMAUTOCONN=N is set, you can manually start communication with an ODBM by issuing the STARTOD command. If, for whatever reason, you want to stop routing messages to an ODBM, issue the STOPOD command. If you want to resume routing messages to that ODBM, issue the STARTOD command to start the communication. If you want to stop routing messages to a particular alias, issue the STOPIA command. You can resume that alias routing by issuing the STARTIA command, which sets the specified IMS alias to active so that IMS Connect can route to that alias.

**Note:** If you stop routing messages to a particular alias by using the STOPIA command, and then issue the STOPOD command and the STARTOD command, the alias status will be lost across STOPOD and STARTOD. In other words, the alias will be active again after the STARTOD command.

Use the VIEWDS command to display information about ODBMs if you are not sure about the activity of a particular ODBM. The STARTOD command does not affect an ODBM that is already active.

## Equivalent IMS Connect type-2 and z/OS commands

The following table lists IMS Connect type-2 commands and IMS Connect z/OS commands that perform similar functions as the STARTOD command.

STARTOD command	Equivalent IMS Connect type-2 command	Equivalent IMS Connect z/OS command
STARTOD <i>odbm_name</i>	UPDATE IMSCON TYPE(ODBM) NAME( <i>odbm_name</i> ) START(COMM)	UPDATE ODBM NAME( <i>odbmName</i> ) START(COMM)


## Examples

To open communication to ODBM named ODBM1OD:

```
nnSTARTOD ODBM1OD
```

**Related reference:**

“STOPOD command” on page 551

 UPDATE IMSCON TYPE(ODBM) command (Commands)

“IMS Connect UPDATE ODBM command” on page 673

## STARTPT command

Use the STARTPT command to reestablish IMS Connect communication with TCP/IP to enable listening on TCP/IP ports.

Subsections:

- “Syntax”
- “Keywords”
- “Usage notes” on page 541
- “Equivalent IMS Connect type-2 and z/OS commands” on page 541
- “Examples” on page 541

### Syntax

```
►► nnSTARTPT portid ◄◄
```

### Keywords

The following keywords are valid for the STARTPT command:

*nn* 2-digit number of z/OS system console outstanding display.



**portid**

Identifies the number of the port to be opened. This port number must match one of the port numbers that is defined in either the PORTID or CICS<sub>PORT</sub> substatement of the TCPIP configuration statement in the HWSCFGxx configuration member. For the local option port, specify a *portid* value of LOCAL. Wildcards (\* and %) are supported in the number.

**Usage notes**

Use this command to reestablish a TCP/IP connection to enable listening on a TCP/IP port. Use this command when communication stops between the IMS Connect and a TCP/IP port, but the IMS Connect has not terminated.

**Equivalent IMS Connect type-2 and z/OS commands**

The following table lists IMS Connect type-2 commands and IMS Connect z/OS commands that perform similar functions as the STARTPT command.

STARTPT command	Equivalent IMS Connect type-2 command	Equivalent IMS Connect z/OS command
STARTPT <i>port_id</i>	UPDATE IMSCON TYPE(PORT) NAME( <i>port_name</i> ) START(COMM)	UPDATE PORT NAME( <i>port_name</i> ) START(COMM)

**Examples**

To reestablish the TCP/IP connection between the IMS Connect and port 9999 so that the IMS Connect can listen on that port:


```
nnSTARTPT 9999
```

Where *nn* is the 2-digit number of z/OS system console outstanding display.

**Related reference:**

“OPENPORT command” on page 523

“IMS Connect UPDATE PORT command” on page 675

 [UPDATE IMSCON TYPE\(PORT\) command \(Commands\)](#)

**STARTRMT command**

Use the STARTRMT command in a local instance of IMS Connect to resume communications with a remote instance of IMS Connect after communications have been stopped by either a STOPRMT or a UPDATE RMTIMSCON STOP(COMM) command.

## Subsections:

- “Syntax” on page 542
- “Keywords” on page 542
- “Usage notes” on page 542
- “Equivalent IMS Connect type-2 and z/OS commands” on page 542
- “Examples” on page 543

## Syntax

► *nn*STARTRMT *rmtimscon\_id* ◄

## Keywords

The following keywords are valid for the STARTRMT command:

***nn*** The two-digit number of the z/OS system console outstanding display.

***rmtimscon\_id***

The name of the remote IMS Connect connection to start, as specified on the ID parameter of the RMTIMSCON statement that defines the connection to the local IMS Connect instance.

## Usage notes

When the STARTRMT command is issued, IMS Connect resumes communications on the specified connection to a remote IMS Connect instance. IMS Connect changes the status of the connection to NOT ACTIVE until new sockets are opened for communications with the remote instance of IMS Connect.

The STARTRMT command is required only when communications on a connection with a remote IMS Connect instance have been previously stopped by either a STOPRMT command or an UPDATE RMTIMSCON STOP(COMM) command.

If the specified RMTIMSCON connection is defined with AUTOCONN=Y, when the STARTRMT is issued, IMS Connect automatically creates socket connections to the remote IMS Connect. The number of socket connections IMS Connect opens is determined by the RESVSOC parameter.

OTMA communications can resume as soon as IMS Connect executes the STARTRMT command.

For MSC communications, the STARTRMT command resumes only TCP/IP communications in IMS Connect, and does not change the stopped status of MSC links. If the MSC links have been stopped by either a STOPMSC command or an UPDATE MSC STOP(COMM) command, after you issue the STARTRMT command, you also need to restart the MSC links in IMS Connect by issuing either the STARTMSC command or the UPDATE MSC START(COMM) command.

**Recommendation:** When restarting MSC communications, to prevent IMS from sending MSC messages to IMS Connect before TCP/IP communications have been restarted, always issue the STARTRMT command before issuing the STARTMSC command.

Use the VIEWRMT command, the QUERY IMSCON TYPE(RMTIMSCON) command, or the QUERY RMTIMSCON command to display information about the current connections to a remote IMS Connect instance that are defined to the local IMS Connect instance.

## Equivalent IMS Connect type-2 and z/OS commands

The following table lists IMS Connect type-2 commands and IMS Connect z/OS commands that perform similar functions as the STARTRMT command.

STARTRMT command	Equivalent IMS Connect type-2 command	Equivalent IMS Connect z/OS command
STARTRMT <i>rmtimsconName</i>	UPDATE IMSCON TYPE(RMTIMSCON) NAME( <i>rmtimscon_name</i> ) START(COMM)	UPDATE RMTIMSCON NAME( <i>rmtimsconName</i> ) START(COMM)

## Examples

The following example of the STARTRMT command starts the connection CONNECT2:

```
nnSTARTRMT CONNECT2
```

STARTRMT command output:

```
HWST3500I COMMUNICATIONS WITH REMOTE IMS CONNECT CONNECT2 STARTED; M=TSCH
```

### Related reference:

“STOPRMT command” on page 554

“IMS Connect UPDATE RMTIMSCON command” on page 677

 [UPDATE IMSCON TYPE\(RMTIMSCON\) command \(Commands\)](#)

## STOPCLNT command

Use the STOPCLNT command to immediately terminate communication with a client using a specific TCP/IP port.

Subsections:

- “Syntax”
- “Keywords”
- “Usage notes” on page 544
- “Equivalent IMS Connect type-2 and z/OS commands” on page 544
- “Examples” on page 544

### Syntax

```
►► nnSTOPCLNT portid clientid ◄◄
```

### Keywords

The following keywords are valid for the STOPCLNT command:

***nn*** 2-digit number of z/OS system console outstanding display.

#### ***portid***

Identifies the port that the client is using for the TCP/IP connection with the IMS Connect. This port number must match a port number that is defined in either the PORTID or CICSSPORT substatement of the TCPIP configuration statement in the HWSCFGxx configuration member. For the local option port, specify a *portid* value of LOCAL.

#### ***clientid***

Specifies the name of the client (the client name is dynamically generated by IMS TM Resource Adapter).

## Usage notes

Work currently in progress for that client is ended.

Use this command whenever a client is unable to accept response messages being sent to it, or when a client is waiting for a nonexistent response message (for example, when an error occurred that caused a response message to be lost before it was sent back to the client).

Use the VIEWPORT command to display the name and state of the client.

## Equivalent IMS Connect type-2 and z/OS commands

The following table lists IMS Connect type-2 commands and IMS Connect z/OS commands that perform similar functions as the STOPCLNT command.

STOPCLNT command	Equivalent IMS Connect type-2 command	Equivalent IMS Connect z/OS command
STOPCLNT <i>portid clientid</i>	UPDATE IMSCON TYPE(CLIENT) NAME( <i>client_name</i> ) PORT( <i>portid</i> ) STOP(COMM)	DELETE PORT NAME( <i>portName</i> ) CLIENT( <i>clientName</i> )

## Examples

To force the IMS Connect to terminate communication with client CLIENT01, who is communicating with the IMS Connect using port 9999:

```
nnSTOPCLNT 9999 CLIENT01
```

Where *nn* is the 2-digit number of z/OS system console outstanding display.

**Related reference:**

[➡](#) UPDATE IMSCON TYPE(CLIENT) command (Commands)  
“IMS Connect DELETE CLIENT command” on page 608

---

## STOPDS command

Use the STOPDS command to immediately terminate communication between the IMS Connect and a data store.

Subsections:

- “Syntax”
- “Keywords”
- “Usage notes” on page 545
- “Equivalent IMS Connect type-2 and z/OS commands” on page 545
- “Examples” on page 545

### Syntax

▶▶—*nnSTOPDS—datastore\_id*—————▶▶

### Keywords

The following keywords are valid for the STOPDS command:

*nn* 2-digit number of z/OS system console outstanding display.

***datastore\_id***

Specifies the name of the data store. This name must match an ID that is defined in a DATASTORE configuration statement of the HWSCFGxx configuration member.

### Usage notes

Work currently in progress for a data store is ended and communications with that data store and its threads are terminated. Messages that are queued for the data store are released and the originator of the queued messages is notified. No new messages are accepted after the STOPDS command is accepted.

Use this command to release messages that are queued for an unavailable data store or for a data store whose queued work belongs to unavailable clients. It can also be used for any type of error situation that requires immediate termination of communication with a data store.

Use the OPENDS command to open communication with the data store at a later time.

### Equivalent IMS Connect type-2 and z/OS commands

The following table lists IMS Connect type-2 commands and IMS Connect z/OS commands that perform similar functions as the STOPDS command.

STOPDS command	Equivalent IMS Connect type-2 command	Equivalent IMS Connect z/OS command
STOPDS <i>datastore_id</i>	UPDATE IMSCON TYPE(DATASTORE) NAME( <i>datastore_name</i> ) STOP(COMM)	UPDATE DATASTORE NAME( <i>datastoreName</i> ) STOP(COMM)

### Examples

To stop communication to data store IMSA:

```
nnSTOPDS IMSA
```

Where *nn* is the 2-digit number of z/OS system console outstanding display.

**Related reference:**

 [UPDATE IMSCON TYPE\(DATASTORE\) command \(Commands\)](#)  
“IMS Connect UPDATE DATASTORE command” on page 665

---

## STOPIA command

Use the STOPIA command to disable message routing to an IMS alias that is managed by one or more Open Database Manager (ODBM) instances. The STOPIA command sets the specified alias to inactive so that IMS Connect cannot route to that alias.

Subsections:

- “Syntax” on page 546
- “Keywords” on page 546
- “Usage notes” on page 546

- “Equivalent IMS Connect type-2 and z/OS commands”
- “Examples”

## Syntax

►► *nn*STOPIA—*alias\_name*—          *odbm\_name*—►►

## Keywords

The following keywords are valid for the STOPIA command:

***nn*** 2-digit number of z/OS system console outstanding display.

### ***alias\_name***

Specifies the name of the IMS alias. Wildcards (\* and %) are supported in the name.

### ***odbm\_name***

Specifies the name of the ODBM. Wildcards (\* and %) are supported in the name. This parameter is optional.

## Usage notes

If you want to stop routing messages to a particular alias, then issue the STOPIA command. You can resume that alias routing by issuing the STARTIA command, which sets the specified IMS alias to active so that IMS Connect can route to that alias.

**Note:** If you stop routing messages to a particular alias by using the STOPIA command, and then issue the STOPOD command and the STARTOD command, the alias status will be lost across STOPOD and STARTOD. In other words, the alias will be active again after the STARTOD command.

## Equivalent IMS Connect type-2 and z/OS commands

The following table lists IMS Connect type-2 commands and IMS Connect z/OS commands that perform similar functions as the STOPIA command.

STOPIA command	Equivalent IMS Connect type-2 command	Equivalent IMS Connect z/OS command
STOPIA <i>alias_name</i> <i>odbm_name</i>	UPDATE IMSCON TYPE(ALIAS) NAME( <i>alias_name</i> ) ODBM( <i>odbm_name</i> ) STOP(COMM)	UPDATE ALIAS NAME( <i>aliasName</i> ) ODBM( <i>odbmName</i> ) STOP(ROUTE)

## Examples

To deactivate an alias named IMS1 for ODBM named ODBM1OD:

```
nnSTOPIA IMS1 ODBM1OD
```

### **Related reference:**

“STARTIA command” on page 535

 UPDATE IMSCON TYPE(ALIAS) command (Commands)

“IMS Connect UPDATE ALIAS command” on page 662

---

## STOPIP command

Use the STOPIP command to stop communication between the IMS Connect and the IMSplex that contains OM which is connected to SCI.

Subsections:

- “Syntax”
- “Keywords”
- “Usage notes”
- “Equivalent IMS Connect type-2 and z/OS commands” on page 548
- “Examples” on page 548

### Syntax

►► *nn*STOPIP—*imsplex\_id* ◀◀

### Keywords

The following keywords are valid for the STOPIP command:

*nn* 2-digit number of z/OS system console outstanding display.

*imsplex\_id*

Specifies the name of the IMSplex. This name must be defined to the IMS Connect, through the configuration member HWSCFGxx, and must match the TMEMBER that is defined in the IMSplex configuration statement.

### Usage notes

| Work currently in progress for the IMSplex ends and communication with the  
| IMSplex and its threads are terminated. Any messages in progress are rejected and  
| an error message is returned to the requester. STOPIP can also be used for any  
| error situation that requires immediate termination of communication with the  
| IMSplex.

If IMS Connect supports either ISC or MSC TCP/IP links and the STOPIP command is used, IMS Connect sends a notification to IMS for each ISC link and MSC physical link. For ISC links, IMS Connect informs IMS that all of the ISC parallel sessions are terminated on the ISC link. For MSC links, IMS Connect informs IMS that all of the MSC logical links on the physical link are terminated.

Stopping IMSplex communications breaks all ISC links and MSC TCP/IP physical links that are supported by the local IMS Connect in the local IMSplex.

When a STOPIP or similar command is issued, the following actions occur for ISC and MSC TCP/IP links:

- The local IMS Connect disconnects the parallel send and receive sockets that support the links and sends a shutdown directive to IMS for ISC and MSC in the local IMS system.
- For ISC links, when IMS receives the shutdown directive, ISC cleans up the ISC link.
- For MSC links, when IMS receives the shutdown directive, MSC cleans up the physical link and issues message DFS3176E.

- IMS Connect changes the status of the ISC links and MSC TCP/IP physical links to DISCONNECTED.

Use the OPENIP command to start communication with the IMSplex at a later time.

## Equivalent IMS Connect type-2 and z/OS commands

The following table lists IMS Connect type-2 commands and IMS Connect z/OS commands that perform similar functions as the STOPIP command.

STOPIP command	Equivalent IMS Connect type-2 command	Equivalent IMS Connect z/OS command
STOPIP <i>imsplex_id</i>	UPDATE IMSCON TYPE(IMSPLEX) NAME( <i>imsplex_name</i> ) STOP(COMM)	UPDATE IMSPLEX NAME( <i>imsplex_name</i> ) STOP(COMM)

## Examples

To stop communication to IMSplex with TMEMBER name of IMSPLEX1:

```
nnSTOPIP IMSPLEX1
```

Where *nn* is the 2-digit number of z/OS system console outstanding display.

**Related reference:**

[➡ UPDATE IMSCON TYPE\(IMSPLEX\) command \(Commands\)](#)

“IMS Connect UPDATE IMSPLEX command” on page 666

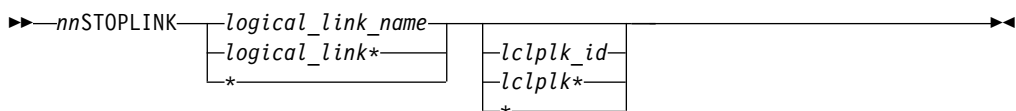
## STOPLINK command

Use the IMS Connect WTOR command STOPLINK to stop communications on an MSC logical link that is assigned to an MSC physical link in IMS Connect. STOPLINK performs a similar action as the DELETE LINK z/OS MODIFY command.

Subsections:

- “Syntax”
- “Keywords”
- “Usage notes” on page 549
- “Equivalent IMS Connect type-2 and z/OS commands” on page 549
- “Examples” on page 550

## Syntax



## Keywords

The following keywords are valid for the STOPLINK command:



*nn* The two-digit number of the z/OS system console outstanding display.

***logical\_link\_name***

The name of the MSC logical link that is being stopped.

***lclplk\_id***

The ID of the MSC physical link on which to stop the logical link is assigned to.

This value is optional. If no physical link ID is specified, IMS Connect searches all the MSC physical links and stops all logical links that have the specified name.

## Usage notes

Use the STOPLINK command to clean up the resources associated with an MSC logical link when the link has already been terminated, but the IMS Connect resources associated with the link were not cleaned up correctly.

**Recommendation:** Use the IMS command /PSTOP to terminate MSC logical links. Use the STOPLINK command only when the IMS Connect resources associated with an MSC logical link that has already been terminated have failed to clean up correctly.

When the STOPLINK command is issued, IMS Connect:

- Stops communication on the MSC logical link
- Informs IMS that communication has stopped on the logical link
- Deletes the control blocks associated with the logical link and frees the associated storage
- Issues message HWSF3310I

To avoid accidentally stopping a logical link that uses the same logical link name on another physical link, limit the command processing to a specific physical link by specifying the name of the target physical link as the *lclplk\_id* value.

If the STOPLINK command is issued against two or more physical links, or the *lclplk\_id* value is omitted, IMS Connect stops communication on all MSC logical links that match the *logical\_link\_name* specified on the STOPLINK command.

To display information about the MSC logical links that are assigned to the MSC physical links that are defined to an IMS Connect instance, use any of the following commands:

- In the IMS type-2 command format, either QUERY IMSCON TYPE(LINK) or QUERY IMSCON TYPE(MSC)
- In the WTOR command format, VIEWMSC
- In the z/OS MODIFY command format, QUERY MSC

## Equivalent IMS Connect type-2 and z/OS commands

The following table lists IMS Connect type-2 commands and IMS Connect z/OS commands that perform similar functions as the STOPLINK command.

STOPLINK command	Equivalent IMS Connect type-2 command	Equivalent IMS Connect z/OS command
STOPLINK <i>linkName</i>	UPDATE IMSCON TYPE(LINK) NAME( <i>link_name</i> ) STOP(COMM)	DELETE LINK NAME( <i>linkName</i> )
STOPLINK <i>linkname</i> <i>lclPlkid</i>	UPDATE IMSCON TYPE(LINK) NAME( <i>linkname</i> ) MSC( <i>lclPlkid</i> ) STOP(COMM)	DELETE LINK NAME( <i>linkname</i> ) LCLPLKID( <i>lclPlkid</i> )

## Examples

In the following example, the STOPLINK command searches all MSC physical links and stops communication on all MSC logical links that are named MSCLINK1:

```
nnSTOPLINK MSCLINK1
```

Example output for the STOPLINK command:

```
HWSF3310I LOGICAL LINK MSCLINK1 TERMINATED; MSC=MSC12, M=ISC2
```

**Related reference:**

[➔ UPDATE IMSCON TYPE\(LINK\) command \(Commands\)](#)

“IMS Connect DELETE LINK command” on page 609

## STOPMSC command

Use the WTOR command STOPMSC to stop communications on an MSC physical link that is defined to a local instance of IMS Connect. The STOPMSC command performs similar functions as the z/OS MODIFY command UPDATE MSC STOP(COMM).

Subsections:

- “Syntax”
- “Keywords”
- “Usage notes” on page 551
- “Equivalent IMS Connect type-2 and z/OS commands” on page 551
- “Examples” on page 551

### Syntax

```
➔ nnSTOPMSC lclplk_id ➔
```

### Keywords

The following keywords are valid for the STOPMSC command:

**nn** The two-digit number of the z/OS system console outstanding display.

***lclplk\_id***

The ID of the physical link on which communications are stopped, as specified on the LCLPLKID parameter of the MSC statement that defines the physical link to IMS Connect.

## Usage notes

When the STOPMSC command is issued, IMS Connect:

- Stops communication on the specified MSC physical link, including communications on all the MSC logical links that are assigned to the physical link
- Informs IMS that communication has stopped on the physical link so that IMS can also terminate the physical link and any logical links that are assigned to the physical link
- Changes the status of the MSC physical link to NOT ACTIVE
- For TCP/IP generic resources, clears affinity of a physical link to the IMS system
- Issues message HWSF3305I

Use the VIEWMSC command or the QUERY MSC command to display information about MSC physical links that are defined to IMS Connect.

## Equivalent IMS Connect type-2 and z/OS commands

The following table lists IMS Connect type-2 commands and IMS Connect z/OS commands that perform similar functions as the STOPMSC command.

STOPMSC command	Equivalent IMS Connect type-2 command	Equivalent IMS Connect z/OS command
STOPMSC <i>lclPlkid</i>	UPDATE IMSCON TYPE(MSC) NAME( <i>lclPlkid</i> ) STOP(COMM)	UPDATE MSC NAME( <i>lclPlkid</i> ) STOP(COMM)

## Examples

The following example of the STOPMSC command stops the MSC physical link MSC12:

```
nnSTOPMSC MSC12
```

Example output for the STOPMSC command:

```
HWSF3305I COMMUNICATIONS ON MSC PHYSICAL LINK MSC12 STOPPED; M=DSCM
```

### Related reference:

“STARTMSC command” on page 538

“IMS Connect UPDATE MSC command” on page 671

 UPDATE IMSCON TYPE(MSC) command (Commands)

---

## STOPOD command

Use the STOPOD command to immediately terminate communication between the IMS Connect and an IMS Open Database Manager (ODBM).

Subsections:

- “Syntax” on page 552
- “Keywords” on page 552
- “Usage notes” on page 552
- “Equivalent IMS Connect type-2 and z/OS commands” on page 552
- “Examples” on page 552

## Syntax

► *nn*STOPOD *odbm\_name* ◀

## Keywords

The following keywords are valid for the STOPOD command:

***nn*** 2-digit number of z/OS system console outstanding display.

***odbm\_name***

Specifies the name of the ODBM. Wildcards (\* and %) are supported in the name.

## Usage notes

Use the STOPOD command for any type of error situation that requires immediate termination of communication with an ODBM. Work currently in progress for an ODBM is ended and communications with that ODBM and its threads are terminated.

Use the STARTOD command to open communication with the ODBM at a later time.

After the STOPOD command, the ODBM status will be UNREGISTERED.

## Equivalent IMS Connect type-2 and z/OS commands

The following table lists IMS Connect type-2 commands and IMS Connect z/OS commands that perform similar functions as the STOPOD command.

STOPOD command	Equivalent IMS Connect type-2 command	Equivalent IMS Connect z/OS command
STOPOD <i>odbm_name</i>	UPDATE IMSCON TYPE(ODBM) NAME( <i>odbm_name</i> ) STOP(COMM)	UPDATE ODBM NAME( <i>odbmName</i> ) STOP(COMM)

## Examples

To stop communication to ODBM named ODBM1OD:

```
nnSTOPOD ODBM1OD
```

**Related reference:**

 UPDATE IMSCON TYPE(ODBM) command (Commands)

“IMS Connect UPDATE ODBM command” on page 673

---

## STOPPORT command

Use the STOPPORT command to immediately terminate listening on a TCP/IP port.

Subsections:

- “Syntax” on page 553
- “Keywords” on page 553

- “Usage notes”
- “Equivalent IMS Connect type-2 and z/OS commands”
- “Examples”

## Syntax

►► *nn*STOPPORT *portid* ◀◀

## Keywords

The following keywords are valid for the STOPPORT command:

***nn*** 2-digit number of z/OS system console outstanding display.

### ***portid***

Identifies the number of the port on which listening is to stop. This port number must match a port number that is defined in either the PORTID or the CICSSPORT substatement of the TCPIP configuration statement in the HWSCFG*xx* configuration member. For the local option port, specify a *portid* value of LOCAL.

## Usage notes

Work currently in progress is allowed to continue for existing clients. Only the listening for new request messages on the port is terminated immediately. When existing work has completed, the port is no longer active.

Use the VIEWPORT command to display the state of the port and any clients using that port.

## Equivalent IMS Connect type-2 and z/OS commands

The following table lists IMS Connect type-2 commands and IMS Connect z/OS commands that perform similar functions as the STOPPORT command.

STOPPORT command	Equivalent IMS Connect type-2 command	Equivalent IMS Connect z/OS command
STOPPORT <i>port_id</i>	UPDATE IMSCON TYPE(PORT) NAME( <i>port_name</i> ) STOP(COMM)	UPDATE PORT NAME( <i>port_name</i> ) STOP(COMM)

## Examples

To stop listening on port 9999:

```
nnSTOPPORT 9999
```

Where *nn* is the 2-digit number of z/OS system console outstanding display.

### Related reference:

 UPDATE IMSCON TYPE(PORT) command (Commands)

“IMS Connect UPDATE PORT command” on page 675

---

## STOPRMT command

Use the WTOR command STOPRMT in a local instance of IMS Connect to stop communications with a remote instance of IMS Connect. The STOPRMT command performs a similar function to the z/OS MODIFY command UPDATE RMTIMSCON STOP(COMM).

Subsections:

- “Syntax”
- “Keywords”
- “Usage notes”
- “Equivalent IMS Connect type-2 and z/OS commands” on page 555
- “Examples” on page 555

### Syntax

►► *nn*STOPRMT *rmtimscon\_id* ◀◀

### Keywords

The following keywords are valid for the STOPRMT command:

*nn* The two-digit number of the z/OS system console outstanding display.

*rmtimscon\_id*

The name of the remote IMS Connect connection to stop, as specified on the ID parameter of the RMTIMSCON statement that defines the connection to the local IMS Connect instance.

### Usage notes

When the STOPRMT command is issued, IMS Connect:

- Stops all communication with a remote IMS Connect instance on the connection specified in the command.
- Informs IMS that the connection to the remote IMS Connect instance has been stopped so that IMS can shut down any affected MSC logical links.
- Terminates existing socket connections and prevents new socket connections until either a STARTRMT command or an UPDATE RMTIMSCON START(COMM) command is issued.
- Changes the status of the connection to STOPPED.
- Issues message HWST3505I.

After the STOPRMT command is issued, if IMS Connect receives a message for the connection in the STOPPED state, IMS Connect returns a NAK response to OTMA and issues message HWST3575W. OTMA retains the message at the front of the queue.

Use the VIEWRMT command to display the current status of the remote IMS Connect connections that are defined to the local IMS Connect instance.

## Equivalent IMS Connect type-2 and z/OS commands

The following table lists IMS Connect type-2 commands and IMS Connect z/OS commands that perform similar functions as the STOPRMT command.

STOPRMT command	Equivalent IMS Connect type-2 command	Equivalent IMS Connect z/OS command
STOPRMT <i>rmtimsconName</i>	UPDATE IMSCON TYPE(RMTIMSCON) NAME( <i>rmtimscon_name</i> ) STOP(COMM)	UPDATE RMTIMSCON NAME( <i>rmtimsconName</i> ) STOP(COMM)

## Examples

In the following example, the STOPRMT command stops communication on the connection CONNECT2:

```
nnSTOPRMT CONNECT2
```

STOPRMT command output:

```
HWST3505I COMMUNICATIONS WITH REMOTE IMS CONNECT CONNECT2 STOPPED; M=TSCH
```

### Related reference:

“STARTRMT command” on page 541

“IMS Connect UPDATE RMTIMSCON command” on page 677

 [UPDATE IMSCON TYPE\(RMTIMSCON\) command \(Commands\)](#)

---

## STOPSCLN command

For connections that are used to send OTMA messages to a remote IMS system, use the IMS Connect WTOR command STOPSCLN to terminate send sockets on the connection to the remote IMS Connect instance.

Do not use the STOPSCLN command for connections that are used for ISC parallel sessions or MSC links, unless the send sockets failed to clean up properly after the connection was terminated.

Subsections:

- “Syntax”
- “Keywords”
- “Usage notes” on page 556
- “Equivalent IMS Connect type-2 and z/OS commands” on page 556
- “Examples” on page 557

## Syntax

```
►►—nnSTOPSCLN—rmtimscon_id—sendclnt—►►  
                                  └──*──┘
```

## Keywords

The following keywords are valid for the STOPSCLN command:

**nn** The two-digit number of the z/OS system console outstanding display.

***rmtimscon\_id***

The ID of the remote IMS Connect connection that the send socket is on, as specified on the ID parameter of the RMTIMSCON statement.

***sendclnt***

The ID of the send socket to terminate. An asterisk (\*) can be used as a wildcard character.

**Usage notes**

Use the STOPSCLN command to terminate send sockets on:

- An ISC link to a CICS subsystem.
- An IMS Connect-to-IMS Connect connection that is used to send messages to a remote IMS system.

To identify the IDs of the send sockets that you need to terminate, use any one of the following IMS Connect commands:

- In the IMS type-2 command format, QUERY IMSCON TYPE(SENDCLNT)
- For OTMA connections to a remote IMS system:
  - In the WTOR command format, VIEWRMT
  - In the z/OS MODIFY command format, QUERY RMTIMSCON

For ISC parallel sessions and MSC links, the STOPSCLN command should be used only if the send client was not properly cleaned up during link termination. Otherwise, do not use the STOPSCLN command to terminate sockets that are used by ISC or MSC because it breaks the sessions or links.

If you need to stop ISC parallel sessions that are still active in IMS, stop them by issuing the IMS command /QUIESCE NODE, which automatically terminates the associated send and receive sockets in IMS Connect. An alternative method of terminating send sockets that are used for ISC parallel sessions is to use the UPDATE IMSCON TYPE(ISCUSER) type-2 IMS command, which terminates both the send and receive sockets that are used by the parallel session.

If you need to stop MSC links that are still active in IMS, stop them by issuing the IMS command /PSTOP LINK, which automatically terminates the associated send and receive sockets in IMS Connect. An alternative method of terminating send sockets that are used for MSC messages is to use the IMS Connect WTOR command STOPLINK or the IMS Connect z/OS modify command DELETE LINK. These commands terminate the send sockets and receive sockets used by the MSC link. The IMS type-2 command equivalent is UPDATE IMSCON TYPE(LINK).

If a send socket connection is in RECV state when the STOPSCLN command is issued, IMS Connect issues a NAK to OTMA and then terminates the send socket connection. OTMA reroutes the message to the dead letter queue, HWS\$DLQ.

**Equivalent IMS Connect type-2 and z/OS commands**

The following table lists IMS Connect type-2 commands and IMS Connect z/OS commands that perform similar functions as the STOPSCLN command.



STOPSCLN command	Equivalent IMS Connect type-2 command	Equivalent IMS Connect z/OS command
STOPSCLN <i>rmtimscon</i> <i>sendclient</i>	UPDATE IMSCON TYPE(SENDCLNT) NAME( <i>sendclient_name</i> ) RMTIMSCON( <i>rmtimscon_name</i> ) STOP(COMM)	DELETE RMTIMSCON NAME( <i>rmtimsconname</i> ) SENDCLNT( <i>clientid</i> )

## Examples

In the following example, the STOPSCLN command terminates send socket OTM11111 on connection CONNECT2:

```
nnSTOPSCLN CONNECT2 OTM11111
```

Example output for the STOPSCLN command:

```
HWST3525I THE SEND CLIENT OTM11111 WAS TERMINATED FOR REMOTE IMS CONNECT CONNECT2; M=TCVC
```

### Related reference:

“VIEWRMT command” on page 600

“IMS Connect QUERY RMTIMSCON command” on page 655

“IMS Connect DELETE SENDCLNT command” on page 611

 [UPDATE IMSCON TYPE\(SENDCLNT\) command \(Commands\)](#)

## VIEWDS command

Use the VIEWDS command to display the current status and activity of one or all data stores and ODBM instances that are known to IMS Connect.

Subsections:

- “Syntax”
- “Keywords”
- “Usage notes” on page 558
- “Equivalent IMS Connect type-2 and z/OS commands” on page 558
- “Output fields” on page 558
- “Examples” on page 561

### Syntax

```

▶▶ nnVIEWDS ALL
      ┌── datastore_name ──┐
      └── odbm_name ───┘

```

### Keywords

The following keywords are valid for the VIEWDS command:

#### ALL

Displays information about all data stores and ODBM instances that are known to IMS Connect.

#### *datastore\_name*

The name of the data store for which information is to be displayed. This name

must match the ID parameter of a DATASTORE configuration statement of the HWSCFGxx configuration member. Only the information for this data store is displayed.

**nn** The 2-digit number of z/OS system console outstanding display.

**odbm\_name**

The name of the ODBM instance for which information is to be displayed. This name must match the name of an ODBM instance as defined in the NAME parameter of the ODBM statement in the CSLDCxxx PROCLIB member. Only the information for this ODBM instance is displayed.

**Usage notes**

Use the VIEWDS command to display the current activity of a data store or an ODBM instance.

To view information about only a single data store or ODBM instance, specify the name of a specific data store or ODBM instance. To view information about all data stores and ODBM instances associated with an instance of IMS Connect, specify the ALL keyword.

The information displayed by *nn*VIEWDS ALL is the same as the information returned for all data stores by the VIEWHWS command.

**Equivalent IMS Connect type-2 and z/OS commands**

The following table lists IMS Connect type-2 commands and IMS Connect z/OS commands that perform similar functions as the VIEWDS command.

VIEWDS command	Equivalent IMS Connect type-2 command	Equivalent IMS Connect z/OS command
VIEWDS ALL	QUERY IMSCON TYPE(DATASTORE) NAME(*) SHOW(ALL   <i>show_parm</i> )	QUERY DATASTORE NAME(*) SHOW(ALL)
VIEWDS <i>datastore_name</i>	QUERY IMSCON TYPE(DATASTORE) NAME( <i>datastore_name</i> ) SHOW(ALL   <i>show_parm</i> )	QUERY DATASTORE NAME( <i>datastore_name</i> )

**Output fields**

The following list shows the output fields of the VIEWDS command.

**DATASTORE=**

Name of the data store, as defined in the ID substatement of the DATASTORE configuration statement in the HWSCFGxx configuration member, or No active Datastores. The data store is an IMS system or, more precisely, a connection to an IMS system.

**STATUS**

State of the data store: ACTIVE, NOT ACTIVE or DISCONNECT.

If the data store goes down, IMS Connect is notified (from IMS OTMA through z/OS cross-system coupling facility (XCF)) of the status of the data store. When the data store is brought back up and restarted, IMS Connect is notified and automatically reconnects to the data store.

**GROUP**

XCF group name for the group to which the IMS Connect and IMS OTMA belong.

**MEMBER**

IMS Connect member name in the XCF group listed.

**TARGET MEMBER**

IMS OTMA member name in the XCF group listed.

**STATE**

Indicates the state of the OTMA server. The STATE value can have one of the following values:

**AVAIL**

Indicates that the OTMA server is available.

**WARN**

Indicates that the OTMA server has one or more resources in warning state.

**SEVERE**

Indicates that the OTMA server is experiencing some severe resource issues.

**N/A**

Indicates that OTMA has not reported status for this data store.

**DEFAULT REROUTE NAME**

The name of an alternative destination specified in a client reroute request.

**RACF APPL NAME**

The RACF APPL name for PassTicket and data store access control.

**MULTIRTP**

Shows the current specification of the MULTIRTP parameter in the DATASTORE statement for the currently displayed DATASTORE connection. Possible values are:

**Y**

The client bid requests for this DATASTORE connection request a TPIPE that supports multiple active resume TPIPE requests.

**N**

The client bid requests for this DATASTORE connection request a TPIPE that supports only a single active resume TPIPE request.

**#**

The client bid requests for this DATASTORE connection do not contain a MULTIRTP specification. OTMA determines whether the TPIPEs for this DATASTORE connection support multiple active resume TPIPE requests.

**b**

A MULTIRTP value is not specified in the DATASTORE statement. TPIPE support for multiple resume tpipe requests is determined by either the MULTIRTP specification in the HWS statement or in the OTMA client descriptor.

**CASCADE**

Shows the specification in the data store definition for support for cascading global RRS transactions to IMS TM data stores that are located on different LPARs than IMS Connect.

This specification was set either by the CASCADE= parameter of the DATASTORE= statement in the HWSCFGxx member of the IMS PROCLIB data set or by the SET(CASCADE()) keyword on type-2 command CREATE IMSCON TYPE(DATASTORE) or UPDATE IMSCON TYPE(DATASTORE).

The value shown here overrides the IMS Connect default value for CASCADE.

One of the following values is displayed:

- blank* A blank value indicates that cascaded transaction support was not specified for this data store. Support for this data store is determined by the IMS Connect default specification.
- Y** Indicates that when IMS Connect and the IMS data store are on different z/OS images (LPARs), this data store connection supports cascading global IMS TM transactions.
- N** Indicates that by default, this data store connection does not support cascading global IMS TM transactions.

#### **OTMA ACEE AGING VALUE**

The current OTMA accessor environment element (ACEE) aging value specified in the IMS Connect DATASTORE configuration statement. The OTMA ACEE aging value determines how frequently OTMA refreshes the security definitions that are cached in an ACEE for IMS Connect.

#### **OTMA ACK TIMEOUT VALUE**

The OTMA ACK timeout value in the IMS Connect configuration member.

#### **OTMA MAX INPUT MESSAGE**

The OTMA input message flood control value in the IMS Connect configuration file.

#### **SUPER MEMBER NAME**

The name of the OTMA super member to which this data store belongs.

#### **ODBM=**

Identifies an instance of Open Database Manager (ODBM) present in the IMSplex.

#### **STATUS**

Shows whether this instance of IMS Connect is registered with the identified instance of ODBM. STATUS can have one of the following values:

- REGISTERED - IMS Connect is registered with the identified instance of ODBM.
- NOT ACTIVE - The identified instance of ODBM is not available.

#### **ODBMRRS**

Indicates the RRS specification in an ODBM. When IMS Connect registers with ODBM, ODBM provides IMS Connect with its RRS setting in addition to the aliases.

#### **ALIAS**

The alias name of an IMS data store defined to the instance of ODBM identified in the preceding ODBM output field.

## STATUS

Shows whether the IMS system associated with the preceding alias name is active or inactive. The status can have one of the following values:

- ACTIVE - IMS Connect can route messages to the identified alias.
- NOT ACTIVE - IMS Connect cannot route messages to the identified alias.

## Examples

In the following examples, *nn* is the 2-digit number of z/OS system console outstanding display.

### *Example 1 for VIEWDS command*

To view the information for a single data store, IMS1:

```
nnVIEWDS IMS1
```

This command produces the following output:

```
HWSC0001I  DATASTORE=IMS1      STATUS=ACTIVE
HWSC0001I  GROUP=XCFGRP1  MEMBER=HWS1
HWSC0001I  TARGET MEMBER=IMS1      STATE=AVAIL
HWSC0001I  DEFAULT REROUTE NAME=CFG$DEF
HWSC0001I  RACF APPL NAME=APPLID1  MULTIRTP=Y  CASCADE=Y
HWSC0001I  OTMA ACEE AGING VALUE=2147483647
HWSC0001I  OTMA ACK TIMEOUT VALUE=120
HWSC0001I  OTMA MAX INPUT MESSAGE=5000
HWSC0001I  SUPER MEMBER NAME=SM01  CM0 ACK TOQ=
```

### *Example 2 for VIEWDS command*

To view the information for an ODBM instance ODBMAOD:

```
nnVIEWDS ODBMAOD
```

This command produces the following output:

```
HWSC0001I  ODBM=ODBMAOD  STATUS=REGISTERED  ODBMRRS=Y
HWSC0001I  ALIAS=IMS1  STATUS=ACTIVE, TRACE
HWSC0001I  ALIAS=IMS2  STATUS=NOT ACTIVE(ODBM)
```

### *Example 3 for VIEWDS command*

To view the information for all data stores defined to IMS Connect:

```
nnVIEWDS ALL
```

This command produces the following output:

```
HWSC0001I  DATASTORE=IMS1      STATUS=ACTIVE
HWSC0001I  GROUP=XCFGRP1  MEMBER=HWS1
HWSC0001I  TARGET MEMBER=IMS1      STATE=AVAIL
HWSC0001I  DEFAULT REROUTE NAME=CFG$DEF
HWSC0001I  RACF APPL NAME=APPLID1  MULTIRTP=Y  CASCADE=Y
HWSC0001I  OTMA ACEE AGING VALUE=2147483647
HWSC0001I  OTMA ACK TIMEOUT VALUE=120
HWSC0001I  OTMA MAX INPUT MESSAGE=5000
HWSC0001I  SUPER MEMBER NAME=SM01  CM0 ACK TOQ=
HWSC0001I  ODBM=ODBMAOD  STATUS=REGISTERED  ODBMRRS=Y
HWSC0001I  ALIAS=IMS1  STATUS=ACTIVE, TRACE
HWSC0001I  ALIAS=IMS2  STATUS=NOT ACTIVE(IMSCON)
```

```

HWSC0001I  ODBM=ODMBOD  STATUS=REGISTERED  ODBMRRS=N
HWSC0001I   ALIAS=IMS1  STATUS=ACTIVE
HWSC0001I   ALIAS=IMS2  STATUS=ACTIVE
HWSC0001I  ODBM=ODBCOD  STATUS=NOT ACTIVE
HWSC0001I  ODBM=ODBMDOD STATUS=NOT ACTIVE

```

**Related reference:**

 [QUERY IMSCON TYPE\(DATASTORE\) command \(Commands\)](#)  
[“IMS Connect QUERY DATASTORE command” on page 614](#)

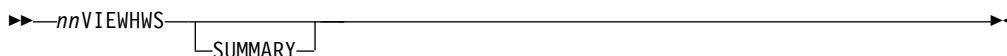
## VIEWHWS command

Use the VIEWHWS command to display the current activity of IMS Connect.

Subsections:

- “Syntax”
- “Keywords”
- “Usage notes”
- “Equivalent IMS Connect type-2 and z/OS commands” on page 563
- “Output fields” on page 563
- “Example 1: VIEWHWS command” on page 578

### Syntax



### Keywords

The following keywords are valid for the VIEWHWS command:

*nn*      The 2-digit number of the z/OS system console outstanding display.

#### SUMMARY

Excludes detailed client information. This option provides the same HWS and data store information but bypasses listing each individual client for the ports. The port status and client totals are still reported.

### Usage notes

You can use the VIEWDS command to display information for data stores only or the VIEWPORT command to display information for ports only.

The VIEWHWS command displays the CONV status if a client is running an IMS conversational transaction. However, if an application sets the InteractionSpec convTypeNew property IMS to true, IMS Connect will not keep track of the conversational status of the client across iterations of the conversational transaction. Therefore, the VIEWHWS command will not display the CONV status unless the command is entered during a conversational iteration.

When IMS Connect connects to an ODBM, the status of the ODBM is REGISTERED. When a STOPOD command is issued to stop the connection to the ODBM, the status of the ODBM is changed to UNREGISTERED. When a REGISTERED ODBM goes down, the status of that ODBM is changed to NOT ACTIVE. If an alias is ACTIVE, then IMS Connect can route DRDA messages to it.

If an alias is NOT ACTIVE, then IMS Connect cannot route DRDA messages to it.

## Equivalent IMS Connect type-2 and z/OS commands

The following table lists IMS Connect type-2 commands and IMS Connect z/OS commands that perform similar functions as the VIEWHWS command.

VIEWHWS command	Equivalent IMS Connect type-2 command	Equivalent IMS Connect z/OS command
VIEWHWS	QUERY IMSCON TYPE(CONFIG) SHOW(ALL   <i>show_parm</i> )	QUERY MEMBER TYPE(IMSCON) SHOW(ALL)

## Output fields

The following list shows the output fields of the VIEWHWS command.

### HWS ID=

Name of the IMS Connect, as defined in the ID substatement of the HWS configuration statement in the HWSCFGxx configuration member.

**RACF** Indicates whether RACF support is currently enabled for the instance of IMS Connect identified in the HWS ID= field.

### UIDCACHE

Indicates whether the RACF user ID cache is enabled for the instance of IMS Connect identified in the HWS ID= field.

### UIDAGE

The length of time in seconds that a RACF user ID is used before IMS Connect refreshes it.

### PSWDMC

Indicates whether mixed-case password support is currently enabled for the instance of IMS Connect identified in the HWS ID= field. "R" indicates that the IMS Connect support for mixed-case passwords depends on the mixed-case password specification in RACF.

### MAXSOC

The maximum total number of sockets that this instance of IMS Connect can open. The maximum number of physical connections that can be made is the MAXSOC= value less the number of ports, because IMS Connect uses one socket on each port for listening.

### TCPIPQ

The maximum number of queued requests that IMS Connect can maintain without assigned sockets.

### TIMEOUT

The interval of time IMS Connect waits before disconnecting a client application program after either waiting for a response for the client from IMS or waiting for data from the client after the client opens a socket connection.

### NUMSOC

The sum of all active sockets on all defined ports, RMTIMSCON connections, and RMTICICS connections.

## WARNSOC

A decimal value between 1 and 50 that indicates the warning level as a percentage of the max sockets limit (MAXSOC= value in the TCPIP configuration statement). When the number of sockets increases to this warning level, IMS Connect issues an HWSS0772W message.

## WARNINC

A decimal value between 1 and 50 that indicates the warning incremental percentage. After the warning level (WARNSOC value in the TCPIP configuration statement) is reached, each time the number of sockets increases by the warning incremental percentage, IMS Connect issues an HWSS0772W message again.

**RRS** Shows if RRS is set to Y or N in the HWS configuration file.

## STATUS

State of RRS. The RRS state can be one of the following:

- ACTIVE - IMS Connect restart with RRS is complete.
- NOT ACTIVE - IMS Connect is not registered with RRS.
- REGISTERED - IMS Connect is registered with RRS.

## MULTIRTP

Shows the current specification of the MULTIRTP parameter in the HWS statement. Possible values are:

- Y** MULTIRTP=Y is the default value for all DATASTORE connections from this IMS Connect instance. Unless this value is overridden by the MULTIRTP parameter in the DATASTORE statement, the client bid requests for DATASTORE connections made from this IMS Connect instance will request TPIPEs that support multiple active resume TPIPE requests.
- N** MULTIRTP=N is the default value for all DATASTORE connections from this IMS Connect instance. Unless this value is overridden by the MULTIRTP parameter in the DATASTORE statement, the client bid requests for DATASTORE connections made from this IMS Connect instance will request TPIPEs that support only a single active resume TPIPE request.
- b** A MULTIRTP value is not specified in the HWS statement. TPIPE support for multiple resume tpipe requests is determined by either the MULTIRTP specification in the DATASTORE statement or in the OTMA client descriptor.

## CASCADE

Shows the IMS Connect default specification for support for cascading global RRS transactions to IMS TM data stores that are located on different LPARs than IMS Connect. This specification was set either by the CASCADE= parameter of the HWS= statement in the HWSCFGxx member of the IMS PROCLIB data set or by the type-2 UPDATE IMSCON TYPE(CONFIG) SET(CASCADE()) command.

The value shown here can be overridden in the definition of an individual data store connection.

One of the following values is displayed:



	Y	Indicates that when IMS Connect and the IMS data store are on different z/OS images (LPARs), IMS Connect enables cascaded transaction support for all data store connections that do not have a different CASCADE value in their definitions.
	N	Indicates that by default, cascaded transaction support is disabled for data store connections that do not have a different CASCADE value in their definitions.

**VERSION**

The version of this instance of IMS Connect.

**IP-ADDRESS**

The IP address for this instance of IMS Connect. Client application programs use this IP address to connect to IMS Connect.

**SUPER MEMBER NAME**

1-4 character OTMA super member name.

**ADAPTER**

Shows whether XML adapter support is enabled or disabled.

**MAXCVRT**

The maximum number of XML converters that this instance of IMS Connect can load concurrently. The actual number of converters that IMS Connect can load depends on the size of the converters and the IMS Connect region size.

**NUMCVRT**

The current number of XML converters loaded in this instance of IMS Connect.

**MAXLSSSZ**

Displays the maximum language structure segment size that is passed to the XML converter.

**ODBM AUTO CONNECTION**

Indicates whether the instance of IMS Connect identified in the ID field is configured to automatically connect to the instances of ODBM in the IMSplex in which IMS Connect is a member.

**ODBM TIMEOUT**

The time interval that IMS Connect waits before disconnecting a client application program that uses the Open Database architecture.

**ODBM IMSPLEX**

The names of IMS Connect and SCI that are used for communication with ODBM within an IMSplex.

**MEMBER**

The name of IMS Connect that SCI uses to manage communications between IMS Connect and ODBM.

**TARGET MEMBER**

The name of the SCI that manages the communication between IMS Connect and ODBM.

**DATASTORE=**

Name of the data store, as defined in the ID substatement of the DATASTORE configuration statement in the HWSCFGxx configuration member, or No active Datastores. The data store is an IMS system or, more precisely, a connection to an IMS system.

**STATUS**

State of the data store: ACTIVE, NOT ACTIVE or DISCONNECT.

If the data store goes down, IMS Connect is notified (from IMS OTMA through z/OS cross-system coupling facility (XCF)) of the status of the data store. When the data store is brought back up and restarted, IMS Connect is notified and automatically reconnects to the data store.

**GROUP**

XCF group name for the group to which the IMS Connect and IMS OTMA belong.

**MEMBER**

IMS Connect member name in the XCF group listed.

**TARGET MEMBER**

IMS OTMA member name in the XCF group listed.

**STATE**

Indicates the state of the OTMA server. The STATE value can have one of the following values:

**AVAIL**

Indicates that the OTMA server is available.

**WARN**

Indicates that the OTMA server has one or more resources in warning state.

**SEVERE**

Indicates that the OTMA server is experiencing some severe resource issues.

**N/A**

Indicates that OTMA has not reported status for this data store.

**DEFAULT REROUTE NAME**

The name of an alternative destination specified in a client reroute request.

**RACF APPL NAME**

The RACF APPL name for PassTicket and data store access control.

**MULTIRTP**

Shows the current specification of the MULTIRTP parameter in the DATASTORE statement for the currently displayed DATASTORE connection. Possible values are:

- Y** The client bid requests for this DATASTORE connection request a TPIPE that supports multiple active resume TPIPE requests.
- N** The client bid requests for this DATASTORE connection request a TPIPE that supports only a single active resume TPIPE request.
- #** The client bid requests for this DATASTORE connection do not contain a MULTIRTP specification. OTMA determines whether the TPIPEs for this DATASTORE connection support multiple active resume TPIPE requests.
- b** A MULTIRTP value is not specified in the DATASTORE statement. TPIPE support for multiple resume tpipe

requests is determined by either the MULTIRTP specification in the HWS statement or in the OTMA client descriptor.

#### **CASCADE**

Shows the specification in the data store definition for support for cascading global RRS transactions to IMS TM data stores that are located on different LPARs than IMS Connect.

This specification was set either by the CASCADE= parameter of the DATASTORE= statement in the HWSCFGxx member of the IMS PROCLIB data set or by the SET(CASCADE()) keyword on type-2 command CREATE IMSCON TYPE(DATASTORE) or UPDATE IMSCON TYPE(DATASTORE).

The value shown here overrides the IMS Connect default value for CASCADE.

One of the following values is displayed:

- blank* A blank value indicates that cascaded transaction support was not specified for this data store. Support for this data store is determined by the IMS Connect default specification.
- Y** Indicates that when IMS Connect and the IMS data store are on different z/OS images (LPARs), this data store connection supports cascading global IMS TM transactions.
- N** Indicates that by default, this data store connection does not support cascading global IMS TM transactions.

#### **OTMA ACEE AGING VALUE**

The current OTMA accessor environment element (ACEE) aging value specified in the IMS Connect DATASTORE configuration statement. The OTMA ACEE aging value determines how frequently OTMA refreshes the security definitions that are cached in an ACEE for IMS Connect.

#### **OTMA ACK TIMEOUT VALUE**

The OTMA ACK timeout value in the IMS Connect configuration member.

#### **OTMA MAX INPUT MESSAGE**

The OTMA input message flood control value in the IMS Connect configuration file.

#### **SUPER MEMBER NAME**

The name of the OTMA super member to which this data store belongs.

#### **IMSPLEX=**

Name of the IMSplex as defined in the TMEMBER parameter of the IMSplex statement in the IMS Connect configuration member HWSCFGxx.

#### **STATUS**

The state of the IMSplex.

#### **MEMBER**

IMS Connect member name as defined in the IMS Connect configuration file IMSplex statement for MEMBER= parameter.

**TARGET**

IMS Connect target member name as defined in the IMS Connect configuration file IMSplex statement for TMEMBER= parameter.

**ODBM=**

Identifies an instance of Open Database Manager (ODBM) present in the IMSplex.

**STATUS**

Shows whether this instance of IMS Connect is registered with the identified instance of ODBM. STATUS can have one of the following values:

- REGISTERED - IMS Connect is registered with the identified instance of ODBM.
- NOT ACTIVE - The identified instance of ODBM is not available.

**ODBMRRS**

Indicates the RRS specification in an ODBM. When IMS Connect registers with ODBM, ODBM provides IMS Connect with its RRS setting in addition to the aliases.

**ALIAS**

The alias name of an IMS data store defined to the instance of ODBM identified in the preceding ODBM output field.

**STATUS**

Shows whether the IMS system associated with the preceding alias name is active or inactive. The status can have one of the following values:

- ACTIVE - IMS Connect can route messages to the identified alias.
- NOT ACTIVE - IMS Connect cannot route messages to the identified alias.

**MSC=** Name of the displayed MSC physical link, as specified on the LCLPLKID parameter of the MSC statement in the IMS Connect configuration member. The following additional output fields describe the status, attributes, and logical links that belong to the physical link identified in the MSC= output field:

**STATUS**

The state of the MSC physical link displayed in the MSC output field. A physical link can be in the following states:

**ACTIVE**

The MSC physical link is enabled for communications between IMS Connect and the local IMS system.

**NOT ACTIVE**

The MSC physical link is disabled for communications between IMS Connect and the local IMS system.

**RMTPLKID**

The ID of the MSC physical link at the remote IMS site, as defined in the RMTPLKID parameter of the MSC statement in the IMS Connect configuration member.

**LCLIMSID**

The ID of the local MSC-enabled IMS system, as defined to IMS Connect on the LCLIMS parameter of the MSC statement in the

IMS Connect configuration member. This LCLIMS value must match the IMS ID that the local IMS system registers with SCI in the IMSplex. You can determine the IMS ID that is registered with SCI by issuing the QUERY IMSPLEX command in the local IMSplex.

If the second IMS ID is shown in the output, it identifies the other IMS system in an XRF couple.

#### **RMTIMSID**

The name of the remote MSC-enabled IMS system, as defined on the RMTIMS parameter of the MSC statement in the IMS Connect configuration member.

#### **GENIMSID**

The generic IMS ID that is being used for TCP/IP generic resources for MSC, as defined in the GENIMSID parameter of the MSC statement in the IMS Connect configuration member.

#### **AFFINITY**

The name of the IMS system with which the MSC logical link currently has affinity for TCP/IP generic resources.

#### **IMSPLEX**

Name of the IMSplex that manages communications between IMS Connect and the local, MSC-enabled IMS system. This name is the IMSplex name that is specified on the IMSPLEX parameter of MSC statement in the IMS Connect configuration member.

This IMSPLEX name must match the name specified on the IMSPLEX(NAME=) statement of the CSLSIxxx PROCLIB member of the SCI instance that is managing communications between IMS Connect and the IMSplex.

#### **MEMBER**

The name by which this IMS Connect is registered in the IMSplex, as defined on the MEMBER parameter in the IMSPLEX substatement of the MSC statement in the IMS Connect configuration member.

This MEMBER name must also be specified on the LCLICON parameter in the MSPLINK macro that defines this MSC physical link in the local IMS system.

#### **TARGET MEMBER**

Name of the IMSplex as defined in the TMEMBER subparameter of the IMSPLEX parameter of the MSC statement in the IMS Connect configuration member.

#### **RMTIMSCON**

The name of the IMS Connect connection that is used by this MSC physical link, as defined in the RMTIMSCON parameter of the MSC statement in the IMS Connect configuration member.

#### **IP-ADDRESS**

The IP address of the remote IMS Connect instance.

**PORT** The port number used by the remote IMS Connect instance.

**HOSTNAME**

The host name of the remote IMS Connect instance, if one is available.

**LINK** The ID of an MSC logical link that is assigned to this physical link. The values returned for this output field are displayed in column format.

If no logical links are currently assigned to this physical link, this output field is not displayed.

**PARTNERID**

The ID of the remote partner for this logical link, as specified on the PARTNER parameter in the MSLINK macro that defines this logical link.

The values returned for this output field are displayed in column format.

If no logical links are currently assigned to this physical link, this output field is not displayed.

**STATUS**

The current state of this logical link. A logical link can have the following state:

**ACTIVE**

This logical link can send messages to the remote IMS Connect.

The values returned for this output field are displayed in column format.

If no logical links are currently assigned to this physical link, this output field is not displayed.

**SENDCLNT**

The send socket ID generated by this instance of IMS Connect to identify a send socket opened on this connection. The SENDCLNT ID is used as the client ID when establishing a socket connection with the remote IMS Connect instance.

The send socket IDs generated for sockets on connections that are used for OTMA begin with "OTM." The send socket IDs that are generated for sockets on connections that are used for MSC begin with "MSC."

The values returned for this output field are displayed in column format.

If no logical links are currently assigned to this physical link, this output field is not displayed.

**RECVCLNT**

The client ID that identifies the receive socket for this logical link. The client ID is generated by the remote IMS Connect instance.

The values returned for this output field are displayed in column format.

If no logical links are currently assigned to this physical link, this output field is not displayed.

**ISC=** ID of the ISC configuration statement in the IMS Connect configuration member that defines the ISC link to which the following output fields apply.

**STATUS**

Status of this ISC link. Possible values are:

**ACTIVE**

This ISC link is enabled for communications between IMS Connect and the local IMS system.

**NOT ACTIVE**

This ISC link is disabled for communications between IMS Connect and the local IMS system.

**NODE**

The name of this ISC node as defined to the local IMS.

**LCLIMSID**

Name of the local IMS as defined in the LCLIMS parameter of the ISC statement in the IMS Connect configuration member.

**IMSPLEX=**

Name of the IMSplex as defined in the IMSPLEX parameter of ISC statement in the IMS Connect configuration member. If IMSPLEX is not specified in the ISC statement, the name from the first IMSPLEX statement in the configuration is displayed.

**MEMBER=**

Name of the member as defined in the MEMBER subparameter of the IMSPLEX parameter of the ISC statement in the IMS Connect configuration member. This is the IMS Connect member name registered to the IMSplex.

**TARGET MEMBER=**

Name of the IMSplex as defined in the TMEMBER subparameter of the IMSPLEX parameter of the ISC statement in the IMS Connect configuration member.

**RMTCICS**

Name of the remote CICS connection that this ISC link is using. The value shown here is the value specified on the RMTCICS parameter of the ISC statement in the IMS Connect configuration member.

**IP-ADDRESS**

The IP address of this remote CICS.

**PORT** The port of this remote CICS.

**HOSTNAME**

The hostname of this remote CICS. This field is displayed if HOSTNAME parameter is specified in the RMTCICS statement.

**CICSAPPL**

The value specified on the APPLID= parameter of the DFHSIT macro definition in the remote CICS subsystem.

**CICSPORT**

The ID of the port that IMS Connect uses to receive messages from CICS on this ISC link. The CICSPORT is defined on the TCPIP configuration statement.

**CICSNETID**

The network ID of the remote CICS subsystem.

**ISCUSER STATUS RECVCLNT SENDCLNT**

If one or more ISC parallel sessions (ISCUSERS) are active on this ISC link, the command output contains information about each ISCUSER. The information for multiple ISCUSERS is displayed in a column format under a heading that identifies the information type. The information for each ISCUSER is displayed on its own row.

**ISCUSER**

Name of the ISC parallel session.

**STATUS**

Status of this ISCUSER.

**SENDCLNT**

Name of the client ID that IMS Connect uses to send messages to the remote CICS subsystem for this ISCUSER.

**RECVCLNT**

Name of the client ID of the remote CICS subsystem that this IMS Connect receives messages from for this ISCUSER.

**RMTCICS=**

Name of the remote CICS connection as defined in the ID parameter of the RMTCICS configuration statement in the IMS Connect configuration member.

**STATUS=**

State of the connection to the remote CICS subsystem that is identified in the RMTCICS field. Possible values include:

**ACTIVE**

This IMS Connect has at least one socket connection to the remote CICS subsystem identified in the RMTCICS field.

**NOT ACTIVE**

This IMS Connect does not have any socket connections to the remote CICS identified in the RMTCICS field.

**STOPPED**

Communications between this IMS Connect and the remote CICS subsystem is stopped. Any messages sent to the remote subsystem while the connection is stopped are rejected and an error message is returned to the sender.

**IP-ADDRESS**

The IP address of the remote CICS.

**PORT** The port number of the remote CICS that this IMS Connect instance communicates on.

**HOSTNAME**

The host name of the remote CICS or remote IMS Connect, if available.



**NUMSOC**

The number of sockets that are currently open.

**SENDCLNT ISCNAME STATUS SECOND SENDPORT**

If this instance of IMS Connect has one or more active connections to this remote CICS subsystem, the command output includes information about each connection. The information for an active connection is displayed immediately under the heading that describes the value.

The headings are described in the next list of fields.

**SENDCLNT**

The client ID that this instance of IMS Connect used to connect to the remote CICS.

**ISCNAME**

Name of the ISC configuration statement in the IMS Connect configuration member.

**STATUS**

State of this remote IMS Connect connection. Possible values include:

**CONN**

This connection is in connect state. It can send messages to the remote CICS.

**RECV** This connection is in receive state. It is waiting to receive a response from the remote CICS.

**SECOND**

Number of seconds that this connection is in the specified state.

**SENDPORT**

The port that this instance of IMS Connect used to connect to the remote CICS.

**RMTIMSCON=**

Identifies a connection between this local IMS Connect instance and a remote instance of IMS Connect. The following additional output fields describe the status, attributes, and sockets that belong to the connection identified in the RMTIMSCON output field:

**STATUS**

The state of the connection displayed in the RMTIMSCON output field. A connection can be in the following states:

**ACTIVE**

This connection has at least one send socket open to a remote IMS Connect instance.

**NOT ACTIVE**

This connection does not have any send sockets open to a remote IMS Connect instance.

**RETRY CONN**

IMS Connect is attempting to automatically reconnect to the remote IMS Connect instance after a previous attempt to connect failed. If the current reconnection attempt fails, IMS Connect attempts to reconnect again every 2 minutes.

While a connection has a RETRY CONN status, the number of open sockets fluctuates. IMS Connect opens a socket when actively trying to reconnect. IMS Connect closes the socket during the 2-minute interval between reconnection attempts.

#### **STOPPED**

A STOPRMT command stopped communication on this connection. Any messages sent to this connection are rejected and an error is sent back to the sender.

#### **IP-ADDRESS**

The IP address of the IMS Connect instance at the remote end of this connection.

**PORT** The port number used by the remote IMS Connect instance for this connection.

#### **HOSTNAME**

The host name of the remote IMS Connect instance, if available.

#### **AUTOCONN**

Indicates whether IMS Connect automatically establishes send sockets for OTMA communications on this connection during IMS Connect startup. Possible values are:

- Y** Send sockets are automatically established on this connection when IMS Connect starts up. The number of sockets that IMS Connect establishes during startup is displayed in the RESVSOC output field
- N** No sockets are established on this connection during IMS Connect startup. For OTMA messages, send sockets are established upon receipt of a message from OTMA for delivery to the remote IMS system.

#### **PERSISTENT**

Indicates whether the sockets on this connection are persistent.

- Y** The sockets established on this connection are persistent.
- N** The sockets established on this connection are not persistent. After messages are sent on this connection, the sockets that they are sent on are closed.

#### **IDLETO**

The time interval that open sockets on this connection can remain idle before they are closed by IMS Connect.

#### **RESVSOC**

The number of send sockets that are reserved for use by this connection.

#### **NUMSOC**

The number of sockets that are currently open on this connection.

#### **SENDCLNT**

The randomly generated send socket ID. The local instance of IMS Connect uses the ID to uniquely identify the socket. The send socket ID is used as the client ID when establishing a socket connection with the remote IMS Connect instance.

The send socket IDs that are used for OTMA begin with "OTM."  
The send socket IDs that are used for MSC begin with "MSC."

The values returned for this output field are displayed in tabular format.

If no sockets are currently open on this connection, this output field is not displayed.

#### **LCLPLKID**

The ID of a local MSC physical link that is using this connection. This value is specified on the LCLPLKID parameter of the MSC statement in the IMS Connect configuration member. The LCLPLKID output field is displayed only for connections that are used for MSC communications.

The values returned for this output field are displayed in tabular format.

If no sockets are currently open on this connection, this output field is not displayed.

#### **USERID**

The user ID provided by the local IMS system for transaction authorization by the remote IMS system. The USERID output field is displayed only for connections that are used for OTMA communications.

If no sockets are currently open on this connection, this output field is not displayed.

The values returned for this output field are displayed in tabular format.

#### **STATUS**

The current state of this socket connection. A socket connection can have the following states:

##### **CONN**

This socket connection can send messages to the remote IMS Connect.

**RECV** This socket connection is waiting to receive a response from the remote IMS Connect.

The values returned for this output field are displayed in tabular format.

If no sockets are currently open on this connection, this output field is not displayed.

#### **SECOND**

The number of seconds that this connection has been in the state shown on the same row under the STATUS output field heading.

The values returned for this output field are displayed in tabular format.

If no sockets are currently open on this connection, this output field is not displayed.

#### **SENDPORT**

The local port used for this connection.

The values returned for this output field are displayed in tabular format.

If no sockets are currently open on this connection, this output field is not displayed.

**PORT=**

Identifies the port or ports to which the following output fields and statuses apply. The port numbers are defined in the IMS Connect configuration member in the IMS.PROCLIB data set.

You can determine the type of a port by the port-type indicator that is appended to the end of the port number. IMS Connect uses the following port-type indicators:

**No type indicator**

Indicates a port that can be used for IMS TM OTMA clients and IMS-to-IMS MSC or OTMA communications. Ports that do not have a type indicator are defined on either the PORT keyword or the PORTID keyword of the TCPIP statement in the IMS Connect configuration member.

**C** Indicates an IBM CICS Transaction Server for z/OS port for ISC communications that is defined to IMS Connect on the CICSPORT parameter of the TCPIP and ISC statements. CICS ports are used exclusively by CICS subsystems that access IMS TM via an ISC TCP/IP link.

**D** Indicates a Distributed Relational Database Architecture™ (DRDA) port that is defined to IMS Connect on the DRDAPORT parameter. DRDA ports are used exclusively by client application programs that access IMS DB through the Open Database Manager (ODBM).

**S** Indicates an SSL port that is defined to IMS Connect on the SSLPORT parameter. SSL ports are used only when IMS Connect support for SSL is enabled.

The following output fields apply to the port identified in the preceding PORT output field.

**STATUS**

State of the port, whether ACTIVE or INACTIVE.

**KEEPAV**

The amount of time a connection remains idle before the z/OS TCP/IP layer sends a packet to maintain the connection.

**NUMSOC**

The number of sockets used on each port.

**TIMEOUT**

The amount of time IMS Connect waits before terminating a client connection if no messages are received from the client.

**CLIENTID ISCNAME STATUS SECOND CLNTPORT IP-ADDRESS**

or

**CLIENTID LCLPLKID STATUS SECOND CLNTPORT IP-ADDRESS**

or

**CLIENTID USERID TRANCODE DATASTORE STATUS SECOND CLNTPORT IP-ADDRESS APSB-TOKEN**

The ID and information for an active client on a receive socket.

The information for each active client is displayed on a single row. Clients are grouped together by client type under a row of headings that identify the information that is returned for that client type.

For ISC clients, the following information is displayed: CLIENTID  
ISCNAME STATUS SECOND CLNTPORT IP-ADDRESS.

For MSC clients, the following information is displayed: CLIENTID  
LCLPLKID STATUS SECOND CLNTPORT IP-ADDRESS.

For OTMA and ODBM clients, the following information is displayed: CLIENTID USERID TRancode DATASTORE STATUS  
SECOND CLNTPORT IP-ADDRESS APSB-TOKEN.

The following example shows the information returned for three OTMA clients:

```

HWSC0001I PORT=9999 STATUS=ACTIVE KEEPAV=0 NUMSOC=4 EDIT= TIMEOUT=0
HWSC0001I CLIENTID USERID TRancode DATASTORE STATUS SECOND CLNTPORT IP-ADDRESS APSB-TOKEN
HWSC0001I CLIENT63 USRT003 apo112 IMSY RECV WFCM 55 4118 192.0.2.0
HWSC0001I CLIENT62 USRT002 IMS1 CONN 210 4115 192.0.2.0
HWSC0001I CLIENT61 USRT001 apo112 IMSN RECV 13 4112 192.0.2.0
HWSC0001I TOTAL CLIENTS=3 RECV=2 CONN=1 XMIT=0 OTHER=0

```

If a port has no active clients on it, these output fields are not displayed. Instead, the command output displays NO ACTIVE CLIENTS after the row that identifies the port.

The information returned for active clients includes, in alphabetical order:

#### **APSB-TOKEN**

Open Database Manager (ODBM) APSB token.

#### **CLIENTID**

The name of the client.

For connections from other IMS Connect instances, the other IMS Connect instance generates this value.

#### **CLNTPORT**

A random number that TCP/IP generates to represent a connection from a client.

#### **DATASTORE**

The data store associated with this client.

The IP address of the client for this connection.

If IPV6 is enabled, the IP address format consists of eight hexadecimal numbers divided by colons. If IPV6 is not enabled, the IP address format of IPV4 is used. The following example is for an IPV6 IP address that is displayed in IPV6 format:

```
FEDC:ABCD:2222:3333:FEDC:DB55:6666:3322
```

The following example is for an IPV4 IP address that is displayed in IPV6 format:

```
0:0:0:0:FFFF:945:33FF
```

#### **ISCNAME**

The name of the ISC statement in the IMS Connect configuration member.

## LCLPLKID

The MSC physical link in the local IMS system to which IMS Connect routes the messages from the client. This field exists only for MSC communications.

## SECOND

Number of seconds that the client has been in the specified status.

## STATUS

State of the thread of the client. The client thread state can be one of the following values:

**RECV** In a receive state waiting for input from client.

**READ** In a partial read state. IMS Connect is reading a message from the client but has not yet received the entire length of the message.

## CONN

Waiting for output from IMS.

**XMIT** Sending data to client.

## CONV

In a conversational state.

## WFCM

Waiting for confirmation (ACK, NAK, or DEALLOCATE) from client.

## TRANCODE

The transaction code submitted by the client.

## USERID

The USERID name passed to IMS Connect.

## Example 1: VIEWHWS command

In the following example, *nn* is the 2-digit number of the z/OS system console outstanding display.

To view the information for an instance of IMS Connect:

```
nnVIEWHWS
```

This command produces the following output:

```
HWSC0001I HWS ID=HWS1 RACF=N PSWDMC=N
HWSC0001I UIDCACHE=Y UIDAGE=2147483647
HWSC0001I MAXSOC=2000 TIMEOUT=5000 TCPIPQ=50
HWSC0001I NUMSOC=7 WARNSOC=80% WARNINC=5%
HWSC0001I RRS=Y STATUS=REGISTERED MULTIRTP= CASCADE=N
HWSC0001I VERSION=V14 IP-ADDRESS=127.0.0.1
HWSC0001I SUPER MEMBER NAME=SM01 CM0 ACK TOQ=

HWSC0001I ADAPTER=N MAXCVRT=100 NUMCVRT=0
HWSC0001I MAXLSSZ=32767
HWSC0001I ODBM AUTO CONNECTION=Y
HWSC0001I ODBM TIMEOUT=18000
HWSC0001I ODBM IMSPLEX MEMBER=IMSPLEX1 TARGET MEMBER=PLEX1
HWSC0001I DATASTORE=IMS1 STATUS=ACTIVE
HWSC0001I GROUP=XCFGRP1 MEMBER=HWS1
HWSC0001I TARGET MEMBER=IMS1 STATE=AVAIL
HWSC0001I DEFAULT REROUTE NAME=CFG$DEF
HWSC0001I RACF APPL NAME=APPLID1 MULTIRTP= CASCADE=Y
HWSC0001I OTMA ACEE AGING VALUE=2147483647
HWSC0001I OTMA ACK TIMEOUT VALUE=120
HWSC0001I OTMA MAX INPUT MESSAGE=5000
HWSC0001I SUPER MEMBER NAME=SM01 CM0 ACK TOQ=
HWSC0001I STATUS=ACTIVE
HWSC0001I MEMBER=IMSPLEX1 TARGET=PLEX1
HWSC0001I ODBM=ODBMAOD STATUS=REGISTERED ODBMRRS=Y
```

```

HWSC0001I ALIAS=IMS1 STATUS=ACTIVE, TRACE
HWSC0001I ALIAS=IMS2 STATUS=NOT ACTIVE
HWSC0001I ODBM=ODMBOD STATUS=REGISTERED ODBMRRS=N
HWSC0001I ALIAS=IMS1 STATUS=ACTIVE
HWSC0001I ALIAS=IMS2 STATUS=ACTIVE
HWSC0001I ODBM=ODBMCD STATUS=NOT ACTIVE
HWSC0001I ODBM=ODBMDOD STATUS=NOT ACTIVE
HWSC0001I PORT=9999 STATUS=ACTIVE KEEPAV=0 NUMSOC=4 EDIT= TIMEOUT=0
HWSC0001I CLIENTID USERID TRANCOD DATASTORE STATUS SECOND CLNTPORT IP-ADDRESS APSB-TOKEN
HWSC0001I CLIENT63 USRT003 apo112 IMSY RECV WFCM 55 4118 192.0.2.0
HWSC0001I CLIENT62 USRT002 IMS1 CONN 210 4115 192.0.2.0
HWSC0001I CLIENT61 USRT001 apo112 IMSN RECV 13 4112 192.0.2.0
HWSC0001I TOTAL CLIENTS=3 RECV=2 CONN=1 XMIT=0 OTHER=0
HWSC0001I PORT=LOCAL STATUS=ACTIVE KEEPAV=0 NUMSOC=0 EDIT= TIMEOUT=0
HWSC0001I NO ACTIVE CLIENTS
HWSC0001I PORT=9998S STATUS=NOT ACTIVE KEEPAV=0 NUMSOC=1 EDIT= TIMEOUT=0
HWSC0001I PORT=1111D STATUS=ACTIVE KEEPAV=5 NUMSOC=1 EDIT= TIMEOUT=6000
HWSC0001I NO ACTIVE CLIENTS
HWSC0001I PORT=2222D STATUS=ACTIVE KEEPAV=0 NUMSOC=1 EDIT= TIMEOUT=100
HWSC0001I NO ACTIVE CLIENTS

```

## Example 2: SUMMARY

In the following example, *nn* is the 2-digit number of the z/OS system console outstanding display.

To view the summary information for an instance of IMS Connect:

```
nnVIEWHWS SUMMARY
```

This command produces the same output as the VIEWHWS command without the SUMMARY keyword except for the PORT= sections, which give only the total counts for the ports, eliminating individual client displays.

```

HWSC0001I HWS ID=HWS1 RACF=N PSWDMC=N
HWSC0001I UIDCACHE=Y UIDAGE=2147483647
HWSC0001I MAXSOC=50 TIMEOUT=5000 TCPIPQ=50
HWSC0001I NUMSOC=7 WARNSOC=80% WARNINC=5%
HWSC0001I RRS=Y STATUS=REGISTERED MULTIRTP= CASCADE=Y
HWSC0001I VERSION=V14 IP-ADDRESS=127.0.0.1
HWSC0001I SUPER MEMBER NAME=SM01 CM0 ACK TOQ=

HWSC0001I ADAPTER=N MAXCVRT=100 NUMCVRT=0
HWSC0001I MAXLSSSZ=32767
HWSC0001I ODBM AUTO CONNECTION=Y
HWSC0001I ODBM TIMEOUT=18000
HWSC0001I ODBM IMSPLEX MEMBER=IMSPLEX1 TARGET MEMBER=PLEX1
HWSC0001I DATASTORE=IMS1 STATUS=ACTIVE
HWSC0001I GROUP=XCFGGRP1 MEMBER=HWS1
HWSC0001I TARGET MEMBER=IMS1 STATE=AVAIL
HWSC0001I DEFAULT REROUTE NAME=CFG$DEF
HWSC0001I RACF APPL NAME=APPLID1 MULTIRTP= CASCADE=
HWSC0001I OTMA ACEE AGING VALUE=2147483647
HWSC0001I OTMA ACK TIMEOUT VALUE=120
HWSC0001I OTMA MAX INPUT MESSAGE=5000
HWSC0001I SUPER MEMBER NAME=SM01 CM0 ACK TOQ=
HWSC0001I IMSPLEX=PLEX1 STATUS=ACTIVE
HWSC0001I MEMBER=IMSPLEX1 TARGET=PLEX1
HWSC0001I ODBM=ODBMAOD STATUS=REGISTERED ODBMRRS=Y
HWSC0001I ALIAS=IMS1 STATUS=ACTIVE, TRACE
HWSC0001I ALIAS=IMS2 STATUS=NOT ACTIVE (IMSCON,ODBM)
HWSC0001I ODBM=ODMBOD STATUS=REGISTERED ODBMRRS=N
HWSC0001I ALIAS=IMS1 STATUS=ACTIVE
HWSC0001I ALIAS=IMS2 STATUS=ACTIVE
HWSC0001I ODBM=ODBMCD STATUS=NOT ACTIVE
HWSC0001I ODBM=ODBMDOD STATUS=NOT ACTIVE
HWSC0001I PORT=9999 STATUS=ACTIVE KEEPAV=0 NUMSOC=4 EDIT= TIMEOUT=0
HWSC0001I TOTAL CLIENTS=3 RECV=2 CONN=1 XMIT=0 OTHER=0
HWSC0001I PORT=LOCAL STATUS=ACTIVE KEEPAV=0 NUMSOC=0 EDIT= TIMEOUT=0
HWSC0001I NO ACTIVE CLIENTS
HWSC0001I PORT=9998S STATUS=NOT ACTIVE KEEPAV=0 NUMSOC=1 EDIT= TIMEOUT=0

```

```

HWSC0001I PORT=1111D STATUS=ACTIVE KEEPAV=5 NUMSOC=1 EDIT= TIMEOUT=6000
HWSC0001I NO ACTIVE CLIENTS
HWSC0001I PORT=2222D STATUS=ACTIVE KEEPAV=0 NUMSOC=1 EDIT= TIMEOUT=100
HWSC0001I NO ACTIVE CLIENTS

```

### Example 3: IMS Connect to IMS Connect connections for MSC

If connections between IMS Connect instances are used for MSC, the command output presents different perspectives of the connections, depending on which instance of IMS Connect the command is issued against.

For MSC communications, one instance of IMS Connect has a connection defined to send MSC messages to the other instance of IMS Connect. The other instance of IMS Connect has a connection defined to send the reply messages.

In the following example output, the command was issued for an IMS Connect instance, HWS1, at the IMS installation where the MSC transactions are input to IMS. HWS1 is connected to another IMS Connect instance, HWS2. HWS1 knows HWS2 only by the RMTIMSCON name ICON2. HWS1 has two active client connections for sending MSC transactions to ICON2 for processing, MSCBB435 and MSC84CF7, shown under SENDCLNT in the RMTIMSCON information. HWS1 receives the response messages to the MSC transactions on the client connections MSCC73E0 and MSC0EBB0, shown under CLIENTID in the PORT information.

A DATASTORE statement is defined for this instance of IMS Connect; however, DATASTORE statements are not used for MSC communications and can be omitted if your instance of IMS Connect does not communicate with OTMA.

```

HWSC0001I HWS ID=HWS1 RACF=N PSWDMC=R
HWSC0001I UIDCACHE=N UIDAGE=2147483647
HWSC0001I MAXSOC=2000 TIMEOUT=5000 TCP/IPQ=50
HWSC0001I NUMSOC=5 WARNSOC=80% WARNINC=5%
HWSC0001I RRS=N STATUS=REGISTERED MULTIRTP= CASCADE=N
HWSC0001I VERSION=V14 IP-ADDRESS=192.0.2.0
HWSC0001I SUPER MEMBER NAME= CM0 ACK TOQ=

HWSC0001I ADAPTER=N MAXCVRT=100 NUMCVRT=0
HWSC0001I MAXLSSZ=32767
HWSC0001I DATASTORE=IMS1 STATUS=DISCONNECT
HWSC0001I GROUP=XCFGRP1 MEMBER=HWS1
HWSC0001I TARGET MEMBER=IMS1 STATE=N/A
HWSC0001I DEFAULT REROUTE NAME=HWS$DEF
HWSC0001I RACF APPL NAME=APPLID1 MULTIRTP= CASCADE=
HWSC0001I OTMA ACEE AGING VALUE=2147483647
HWSC0001I OTMA ACK TIMEOUT VALUE=120
HWSC0001I OTMA MAX INPUT MESSAGE=5000
HWSC0001I SUPER MEMBER NAME= CM0 ACK TOQ=
HWSC0001I IMSPLEX=PLEX1 STATUS=ACTIVE
HWSC0001I MEMBER=HWS1 TARGET=PLEX1
HWSC0001I MSC=MSC12 STATUS=ACTIVE
HWSC0001I RMTPLKID=MSC21
HWSC0001I LCLIMSID=IMS1 RMTIMSID=IMS2
HWSC0001I IMSPLEX=PLEX1
HWSC0001I MEMBER=HWS1 TARGET MEMBER=PLEX1
HWSC0001I RMTIMSCON=ICON2
HWSC0001I IP-ADDRESS=127.0.0.1 PORT=5555
HWSC0001I HOSTNAME=WWW.EXAMPLE.COM
HWSC0001I LINK PARTNERID STATUS SENDCLNT RECVCNT
HWSC0001I LNK12T01 TA ACTIVE MSC84CF7 MSC0EBB0
HWSC0001I LNK12T02 TB ACTIVE MSCBB435 MSCC73E0
HWSC0001I NO ACTIVE ODBM
HWSC0001I PORT=9999 STATUS=ACTIVE KEEPAV=0 NUMSOC=3 EDIT= TIMEOUT=0
HWSC0001I CLIENTID LCLPLKID STATUS SECOND CLNTPORT IP-ADDRESS
HWSC0001I MSCC73E0 MSC12 RECV 6 1026 0:0:0:0:FFFF:7F00:1
HWSC0001I MSC0EBB0 MSC12 RECV 56 1025 0:0:0:0:FFFF:7F00:1

```



```

HWSC0001I      TOTAL CLIENTS=2  RECV=2  READ=0  CONN=0  XMIT=0  OTHER=0
HWSC0001I      RMTIMSCON=ICON2    STATUS=ACTIVE
HWSC0001I      IP-ADDRESS=127.0.0.1      PORT=5555
HWSC0001I      HOSTNAME=WWW.EXAMPLE.COM
HWSC0001I      AUTOCONN=N  PERSISTENT=Y
HWSC0001I      IDLETO=0
HWSC0001I      RESVSOC=2  NUMSOC=2
HWSC0001I      SENDCLNT LCLPLKID STATUS      SECOND SENDPORT
HWSC0001I      MSCBB435 MSC12  CONN          6 1028
HWSC0001I      MSC84CF7 MSC12  CONN          56 1027
HWSC0001I      TOTAL SENDCLNTS=2  RECV=0  CONN=2  XMIT=0  OTHER=0

```

The following example output corresponds to the preceding example output, and was produced by executing the command on IMS Connect instance HWS2, at the remote IMS installation where the MSC transactions are processed. HWS2 knows HWS1 only by the RMTIMSCON name ICON1. HWS2 receives MSC transactions on two active client connections, MSCBB435 and MSC84CF7, shown in the PORT information under CLIENTID. These IDs are the same IDs shown in the HWS1 example under SENDCLNT. After processing the MSC transactions, HWS2 sends the response messages back to ICON1 on the two active client connections shown under SENDCLNT in the RMTIMSCON information: MSCC73E0 and MSC0EBB0, the same IDs shown in the HWS1 example under CLIENTID.

```

HWSC0001I      HWS ID=HWS2      RACF=N  PSWDMC=R
HWSC0001I      UIDCACHE=N  UIDAGE=2147483647
HWSC0001I      MAXSOC=50  TIMEOUT=5000  TCPIPQ=50
HWSC0001I      NUMSOC=5      WARNSOC=80%  WARNINC=5%
HWSC0001I      RRS=N  STATUS=REGISTERED  MULTIRTP=  CASCADE=N
HWSC0001I      VERSION=V14  IP-ADDRESS=127.0.0.1
HWSC0001I      SUPER MEMBER NAME=      CM0 ACK TOQ=

HWSC0001I      ADAPTER=N      MAXCVRT=100  NUMCVRT=0
HWSC0001I      MAXLSSSZ=32767
HWSC0001I      DATASTORE=IMS2    STATUS=DISCONNECT
HWSC0001I      GROUP=XCFGRP1  MEMBER=HWS2
HWSC0001I      TARGET MEMBER=IMS2      STATE=N/A
HWSC0001I      DEFAULT REROUTE NAME=HWS$DEF
HWSC0001I      RACF APPL NAME=APPLID1  MULTIRTP=  CASCADE=
HWSC0001I      OTMA ACEE AGING VALUE=2147483647
HWSC0001I      OTMA ACK TIMEOUT VALUE=120
HWSC0001I      OTMA MAX INPUT MESSAGE=5000
HWSC0001I      SUPER MEMBER NAME=      CM0 ACK TOQ=
HWSC0001I      IMSPLEX=PLEX2    STATUS=ACTIVE
HWSC0001I      MEMBER=HWS2    TARGET=PLEX2
HWSC0001I      MSC=MSC21    STATUS=ACTIVE
HWSC0001I      RMTPLKID=MSC12
HWSC0001I      LCLIMSID=IMS2      RMTIMSID=IMS1
HWSC0001I      IMSPLEX=PLEX2
HWSC0001I      MEMBER=HWS2      TARGET MEMBER=PLEX2
HWSC0001I      RMTIMSCON=ICON1
HWSC0001I      IP-ADDRESS=192.0.2.0      PORT=9999
HWSC0001I      HOSTNAME=WWW.EXAMPLE.COM
HWSC0001I      LINK      PARTNERID  STATUS      SENDCLNT  RECVCLNT
HWSC0001I      LNK21T01  TA      ACTIVE      MSC0EBB0  MSC84CF7
HWSC0001I      LNK21T02  TB      ACTIVE      MSCC73E0  MSCBB435
HWSC0001I      NO ACTIVE ODBM
HWSC0001I      PORT=5555    STATUS=ACTIVE      KEEPAV=0  NUMSOC=3      EDIT=      TIMEOUT=0
HWSC0001I      CLIENTID LCLPLKID STATUS      SECOND CLNTPORT IP-ADDRESS
HWSC0001I      MSCBB435 MSC21  RECV          18 1028      0:0:0:0:0:FFFF:C000:200
HWSC0001I      MSC84CF7 MSC21  RECV          69 1027      0:0:0:0:0:FFFF:C000:200
HWSC0001I      TOTAL CLIENTS=2  RECV=2  READ=0  CONN=0  XMIT=0  OTHER=0
HWSC0001I      RMTIMSCON=ICON1    STATUS=ACTIVE
HWSC0001I      IP-ADDRESS=192.0.2.0      PORT=9999
HWSC0001I      HOSTNAME=WWW.EXAMPLE.COM
HWSC0001I      AUTOCONN=N  PERSISTENT=Y
HWSC0001I      IDLETO=0
HWSC0001I      RESVSOC=2  NUMSOC=2
HWSC0001I      SENDCLNT LCLPLKID STATUS      SECOND SENDPORT

```

```

HWSC0001I MSCC73E0 MSC21 CONN 18 1026
HWSC0001I MSC0EBB0 MSC21 CONN 69 1025
HWSC0001I TOTAL SENDCLNTS=2 RECV=0 CONN=2 XMIT=0 OTHER=0

```

#### Example 4: IMS Connect to IMS Connect connections for OTMA

If a connection between IMS Connect instances is used for OTMA messages, the command output shows different perspectives of the connection, depending on which instance of IMS Connect the command is executed on.

For OTMA, because the connections between IMS Connect instances are one-way connections, the connection is defined only in the sending IMS Connect instance. The connection is not defined in the remote IMS Connect instance.

In the following example output, the command is executed on HWS1, the IMS Connect instance at the IMS installation that sends the OTMA output messages. HWS1 is connected to a receiving IMS Connect instance, HWS2; however, HWS1 knows HWS2 only by the RMTIMSCON name ICON2B shown in the example. HWS1 sends the OTMA output messages to ICON2 for processing on the active client connection, OTM924FA, shown under SENDCLNT in the RMTIMSCON information. The SENDCLNT ID is auto-generated by HWS1 when establishing the connection with HWS2.

```

HWSC0001I HWS ID=HWS1 RACF=N PSWDMC=R
HWSC0001I UIDCACHE=N UIDAGE=2147483647
HWSC0001I MAXSOC=2000 TIMEOUT=5000 TCPIPQ=50
HWSC0001I NUMSOC=2 WARNSOC=80% WARNINC=5%
HWSC0001I RRS=N STATUS=REGISTERED MULTIRTP= CASCADE=N
HWSC0001I VERSION=V14 IP-ADDRESS=192.0.2.0
HWSC0001I SUPER MEMBER NAME= CM0 ACK TOQ=
HWSC0001I ADAPTER=N MAXCVRT=100 NUMCVRT=0
HWSC0001I MAXLSSZ=32767
HWSC0001I DATASTORE=IMS1 STATUS=ACTIVE
HWSC0001I GROUP=XCFGRP1 MEMBER=HWS1
HWSC0001I TARGET MEMBER=IMS1 STATE=AVAIL
HWSC0001I DEFAULT REROUTE NAME=HWS$DEF
HWSC0001I RACF APPL NAME=APPLID1 MULTIRTP= CASCADE=
HWSC0001I OTMA ACEE AGING VALUE=2147483647
HWSC0001I OTMA ACK TIMEOUT VALUE=120
HWSC0001I OTMA MAX INPUT MESSAGE=5000
HWSC0001I SUPER MEMBER NAME= CM0 ACK TOQ=
HWSC0001I NO ACTIVE IMSPLEX
HWSC0001I NO ACTIVE ODBM
HWSC0001I NO ACTIVE MSC
HWSC0001I PORT=9999 STATUS=ACTIVE KEEPAV=0 NUMSOC=1 EDIT= TIMEOUT=0
HWSC0001I NO ACTIVE CLIENTS
HWSC0001I RMTIMSCON=ICON2B STATUS=ACTIVE
HWSC0001I IP-ADDRESS=127.0.0.1 PORT=5555
HWSC0001I HOSTNAME=WWW.EXAMPLE.COM
HWSC0001I AUTOCONN=N PERSISTENT=Y
HWSC0001I IDLETO=3000
HWSC0001I RESVSOC=4 NUMSOC=1
HWSC0001I SENDCLNT USERID STATUS SECOND SENDPORT
HWSC0001I OTM924FA APOL1 CONN 5941 1026
HWSC0001I TOTAL SENDCLNTS=1 RECV=0 CONN=1 XMIT=0 OTHER=0

```

The following example output corresponds to the preceding example output, and was produced by executing the command on HWS2, the IMS Connect instance at the IMS installation that receives the OTMA output messages. HWS2 knows HWS1 only by the auto-generated client ID, OTM924FA, shown under CLIENTID in the PORT information. The CLIENTID value is the same value shown under SENDCLNT at the local IMS installation. HWS2 receives the OTMA transactions on the connection identified by the client ID OTM924FA. After processing the OTMA

message, the remote IMS system queues any response messages to the tpipe hold queue identified by the client ID OTM924FA for later asynchronous retrieval.

```

HWSC0001I HWS ID=HWS2 RACF=N PSWDMC=R
HWSC0001I UIDCACHE=N UIDAGE=2147483647
HWSC0001I MAXSOC=50 TIMEOUT=5000 TCPIPQ=50
HWSC0001I NUMSOC=5 WARNSOC=80% WARNINC=5%
| HWSC0001I RRS=N STATUS=REGISTERED MULTIRTP= CASCADE=N
HWSC0001I VERSION=V14 IP-ADDRESS=127.0.0.1
HWSC0001I SUPER MEMBER NAME= CM0 ACK TOQ=
HWSC0001I ADAPTER=N MAXCVRT=100 NUMCVRT=0
HWSC0001I MAXLSSSZ=32767
HWSC0001I DATASTORE=IMS2 STATUS=ACTIVE
HWSC0001I GROUP=XCFGRP2 MEMBER=HWS2
HWSC0001I TARGET MEMBER=IMS2 STATE=AVAIL
HWSC0001I DEFAULT REROUTE NAME=HWS$DEF
| HWSC0001I RACF APPL NAME=APPLID1 MULTIRTP= CASCADE=
HWSC0001I OTMA ACEE AGING VALUE=2147483647
HWSC0001I OTMA ACK TIMEOUT VALUE=120
HWSC0001I OTMA MAX INPUT MESSAGE=5000
HWSC0001I SUPER MEMBER NAME= CM0 ACK TOQ=
HWSC0001I NO ACTIVE IMSPLEX
HWSC0001I NO ACTIVE ODBM
HWSC0001I NO ACTIVE MSC
HWSC0001I PORT=9999 STATUS=ACTIVE KEEPAV=0 NUMSOC=1 EDIT= TIMEOUT=0
HWSC0001I NO ACTIVE CLIENTS
HWSC0001I PORT=8888 STATUS=ACTIVE KEEPAV=0 NUMSOC=1 EDIT= TIMEOUT=0
HWSC0001I NO ACTIVE CLIENTS
HWSC0001I PORT=7777 STATUS=ACTIVE KEEPAV=0 NUMSOC=1 EDIT= TIMEOUT=0
HWSC0001I NO ACTIVE CLIENTS
HWSC0001I PORT=5555 STATUS=ACTIVE KEEPAV=0 NUMSOC=2 EDIT= TIMEOUT=0
HWSC0001I CLIENTID USERID TRANCODE DATASTORE STATUS SECOND CLNTPORT IP-ADDRESS APSB-TOKEN
HWSC0001I OTM924FA APOL1 APOL11 IMS2 RECV 11 1026 0:0:0:0:FFFF:C000:200
HWSC0001I TOTAL CLIENTS=1 RECV=1 READ=0 CONN=0 XMIT=0 OTHER=0
HWSC0001I RMTIMSCON=ICON1B STATUS=NOT ACTIVE
HWSC0001I IP-ADDRESS=192.0.2.0 PORT=9999
HWSC0001I HOSTNAME=WWW.EXAMPLE.COM
HWSC0001I AUTOCONN=N PERSISTENT=Y
HWSC0001I IDLETO=0
HWSC0001I RESVSOC=4 NUMSOC=0
HWSC0001I NO ACTIVE CLIENTS

```

### Example 5: ISC connections between IMS Connect and CICS

In the following example output, an ISC link, IMS1CIC4, links to a remote CICS subsystem by way of the RMTICICS connection, CICS4.

Currently, three parallel sessions, or *ISCUSERS*, are active: CIC4U01, CIC4U02, and CIC4U03. The status, the send client ID, and the receive client ID are shown on the row for each parallel session.

IMS Connect receives input messages from CICS on port 9876C, as defined by the CICSSPORT keyword in the IMS Connect configuration member. Each receive socket for each parallel session on the CICSSPORT is identified by a receive client ID that is generated by IMS Connect.

IMS Connect sends output messages to CICS through send sockets on ports that are automatically selected by IMS Connect. Each send socket for each parallel session is identified by a send client ID that is automatically generated by IMS Connect.

```

HWSC0001I HWS ID=HWS1 RACF=N PSWDMC=R
HWSC0001I UIDCACHE=N UIDAGE=2147483647
HWSC0001I MAXSOC=50 TIMEOUT=5000 TCPIPQ=50
HWSC0001I NUMSOC=7 WARNSOC=80% WARNINC=5%
| HWSC0001I RRS=N STATUS=NOT ACTIVE MULTIRTP= CASCADE=N

```

```

I  HWSC0001I  VERSION=V14 IP-ADDRESS=127.0.0.1
   HWSC0001I  SUPER MEMBER NAME=      CM0 ACK TOQ=

HWSC0001I  ADAPTER=N MAXCVRT=100 NUMCVRT=0
HWSC0001I  MAXLSSSZ=32767
HWSC0001I  IMSPLEX=PLEX1  STATUS=ACTIVE
HWSC0001I  MEMBER=HWS1  TARGET=PLEX1
HWSC0001I  ISC=IMS1CIC4 STATUS=ACTIVE
HWSC0001I  NODE=CIC4
HWSC0001I  LCLIMSID=IMS1
HWSC0001I  IMSPLEX=PLEX1
HWSC0001I  MEMBER=HWS1  TARGET MEMBER=PLEX1
HWSC0001I  RMTICICS=CICS4
HWSC0001I  IP-ADDRESS=192.0.2.0  PORT=7777
HWSC0001I  HOSTNAME=WWW.EXAMPLE.COM
HWSC0001I  CICSAPPL=CICS1  CICSSPORT=9876
HWSC0001I  CICSNETID=IMSNET
HWSC0001I  ISCUSER  STATUS  SENDCLNT  RECVCCLNT
HWSC0001I  CIC4U01  ACTIVE  ISCE7811  ISCF4816
HWSC0001I  CIC4U02  ACTIVE  ISC3A819  ISC7121D
HWSC0001I  CIC4U03  ACTIVE  ISCECD99  ISC5C09F
HWSC0001I  TOTAL ISCUSERS=3 ACTIVE=3 OTHER=0
HWSC0001I  NO ACTIVE ODBM
HWSC0001I  NO ACTIVE MSC
HWSC0001I  PORT=9876C  STATUS=ACTIVE  KEEPAV=0 NUMSOC=4 EDIT=  TIMEOUT=0
HWSC0001I  CLIENTID  ISCNAME  STATUS  SECOND CLNTPORT  IP-ADDRESS
HWSC0001I  ISC5C09F  IMS1CIC4  RECV  4 1037  0:0:0:0:FFFF:C000:200
HWSC0001I  ISC7121D  IMS1CIC4  RECV  13 1035  0:0:0:0:FFFF:C000:200
HWSC0001I  ISCF4816  IMS1CIC4  RECV  200 1033  0:0:0:0:FFFF:C000:200
HWSC0001I  TOTAL CLIENTS=3 RECV=3 READ=0 CONN=0 XMIT=0 OTHER=0
HWSC0001I  NO ACTIVE RMTIMSCON
HWSC0001I  RMTICICS=CICS4  STATUS=ACTIVE
HWSC0001I  IP-ADDRESS=192.0.2.0  PORT=7777
HWSC0001I  HOSTNAME=WWW.EXAMPLE.COM
HWSC0001I  SENDCLNT  ISCNAME  STATUS  SECOND SENDPORT
HWSC0001I  ISCECD99  IMS1CIC4  CONN  4 1036
HWSC0001I  ISC3A819  IMS1CIC4  CONN  13 1034
HWSC0001I  ISCE7811  IMS1CIC4  CONN  200 1032
HWSC0001I  TOTAL SENDCLNTS=3 RECV=0 CONN=3 XMIT=0 OTHER=0

```

## Example 6: Multiple client types

In the following example output, IMS Connect supports many different client types, including:

- Clients that connect to IMS DB via a DRDA port and the Open Database Manager (ODBM) component of the IMS Common Service Layer (CSL).
- Clients that connect to IMS TM via a DATASTORE connection and the IMS Open Transaction Manager Access (OTMA) component.
- A CICS system that connects to IMS TM via ISC and the CICS IPIC protocol
- An IMS system that connects to another IMS system via OTMA
- An IMS system that connects in another IMS system via MSC

Certain output fields are always displayed while other output fields are displayed only if IMS Connect is actively supporting a specific client type.

```

HWSC0001I  HWS ID=ICON1  RACF=N  PSWDMC=R
HWSC0001I  MAXSOC=50  TIMEOUT=5000  TCP/IPQ=50
HWSC0001I  NUMSOC=18  WARNSOC=80%  WARNINC=5%
I  HWSC0001I  RRS=N  STATUS=ACTIVE  MULTIRTP=  CASCADE=N
I  HWSC0001I  VERSION=V14 IP-ADDRESS=127.0.0.1
   HWSC0001I  SUPER MEMBER NAME=      CM0 ACK TOQ=

HWSC0001I  ADAPTER=Y  MAXCVRT=100  NUMCVRT=0
HWSC0001I  MAXLSSSZ=32767
HWSC0001I  ODBM AUTO CONNECTION=Y

```

```

HWSC00011 ODBM TIMEOUT=1200000
HWSC00011 ODBM IMSPLEX MEMBER= TARGET MEMBER=
HWSC00011 DATASTORE=IMS1 STATUS=ACTIVE
HWSC00011 GROUP=XCFGRP1 MEMBER=ICON1
HWSC00011 TARGET MEMBER=IMS1 STATE=N/A
HWSC00011 DEFAULT REROUTE NAME=THATWAY
HWSC00011 RACF APPL NAME=APPLID1 MULTIRTP= CASCADE=
HWSC00011 OTMA ACEE AGING VALUE=2147483647
HWSC00011 OTMA ACK TIMEOUT VALUE=120
HWSC00011 OTMA MAX INPUT MESSAGE=5000
HWSC00011 SUPER MEMBER NAME= CMO ACK TOQ=
HWSC00011 IMSPLEX=PLEX1 STATUS=ACTIVE
HWSC00011 MEMBER=ICON1 TARGET=PLEX1
HWSC00011 ODBM=ODBM10D STATUS=REGISTERED ODBMRRS=Y
HWSC00011 ALIAS=ALI1 STATUS=ACTIVE
HWSC00011 ALIAS=IMSA STATUS=ACTIVE
HWSC00011 ALIAS=IMS1 STATUS=ACTIVE
HWSC00011 ALIAS=ALI2 STATUS=ACTIVE
HWSC00011 ALIAS=IMS2 STATUS=ACTIVE
HWSC00011 MSC=MSC12 STATUS=ACTIVE
HWSC00011 RMTPLKID=MSC21
HWSC00011 LCLIMS=IMS1 RMTIMS=IMS2 GENIMSID=IMS AFFINTY=IMS1
HWSC00011 IMSPLEX=PLEX1
HWSC00011 MEMBER=ICON1 TARGET MEMBER=PLEX1
HWSC00011 RMTIMSCON=CONNECT2
HWSC00011 IP-ADDRESS=192.0.2.0 PORT=5555
HWSC00011 HOSTNAME=WWW.EXAMPLE.COM
HWSC00011 LINK PARTNERID STATUS SENDCLNT RECVCLNT
HWSC00011 LINK12A AA ACTIVE MSC11111 MSC33333
HWSC00011 LINK12B BB ACTIVE MSC22222 MSC44444
HWSC00011 ISC=CICS STATUS=ACTIVE
HWSC00011 NODE=CICSTRM1
HWSC00011 LCLIMSID=IMS1
HWSC00011 IMSPLEX=PLEX1
HWSC00011 MEMBER=HWS1 TARGET MEMBER=PLEX1
HWSC00011 RMTICIS=ICONNT1
HWSC00011 IP-ADDRESS=192.0.2.1 PORT=9999
HWSC00011 HOSTNAME=WWW.EXAMPLE.COM
HWSC00011 CICSAPPL=CICSA1 CICSSPORT=6666
HWSC00011 CICSNETID=CICSNET
HWSC00011 NO ACTIVE ISCUSER
HWSC00011 ISC=LU6TCP2 STATUS=ACTIVE
HWSC00011 NODE=CICSTRM2
HWSC00011 LCLIMSID=IMS1
HWSC00011 IMSPLEX=PLEX1
HWSC00011 MEMBER=HWS1 TARGET MEMBER=PLEX1
HWSC00011 RMTICIS=ICONNT2
HWSC00011 IP-ADDRESS=192.0.2.2 PORT=9998
HWSC00011 HOSTNAME=WWW.EXAMPLE.COM
HWSC00011 CICSAPPL=CICSA2 CICSSPORT=7777
HWSC00011 CICSNETID=CICSNET
HWSC00011 ISCUSER STATUS SENDCLNT RECVCLNT
HWSC00011 IMSUS01 ACTIVE ISC11111 ISC33333
HWSC00011 IMSUS02 ACTIVE ISC22222 ISC44444
HWSC00011 TOTAL ISCUSERS=2 ACTIVE=2 OTHER=0
HWSC00011 PORT=9996 STATUS=ACTIVE KEEPAV=0 NUMSOC=4 EDIT= TIMEOUT=0
HWSC00011 CLIENTID USERID TRANCODE DATASTORE STATUS SECOND CLNTPORT IP-ADDRESS APSB-TOKEN
HWSC00011 CLIENT01 USRT003 ITOC04 IMS1 RECV 27 3464 0:0:0:0:FFFF:C000:204
HWSC00011 CLIENTID LCLPLKID STATUS SECOND CLNTPORT IP-ADDRESS
HWSC00011 MSC33333 MSC12 CONN 14 1739 0:0:0:0:FFFF:C000:200
HWSC00011 MSC44444 MSC12 CONN 9 2684 0:0:0:0:FFFF:C000:200
HWSC00011 TOTAL CLIENTS=3 RECV=1 CONN=2 XMIT=0 OTHER=0
HWSC00011 PORT=6666C STATUS=NOT ACTIVE KEEPAV=0 NUMSOC=1 EDIT= TIMEOUT=0
HWSC00011 NO ACTIVE CLIENTS
HWSC00011 PORT=7777C STATUS=ACTIVE KEEPAV=0 NUMSOC=3 EDIT= TIMEOUT=0
HWSC00011 CLIENTID ISCNAME STATUS SECOND CLNTPORT IP-ADDRESS
HWSC00011 ISC33333 LU6TCP2 CONN 14 3579 0:0:0:0:FFFF:C000:202
HWSC00011 ISC44444 LU6TCP2 CONN 9 2468 0:0:0:0:FFFF:C000:202
HWSC00011 TOTAL CLIENTS=3 RECV=1 CONN=2 XMIT=0 OTHER=0

```

```

HWSC0001I PORT=LOCAL STATUS=ACTIVE KEEPAV=0 NUMSOC=0 EDIT= TIMEOUT=0
HWSC0001I NO ACTIVE CLIENTS
HWSC0001I PORT=8899S STATUS=NOT ACTIVE KEEPAV=0 NUMSOC=1 EDIT= TIMEOUT=0
HWSC0001I NO ACTIVE CLIENTS
HWSC0001I PORT=8888D STATUS=ACTIVE KEEPAV=0 NUMSOC=1 EDIT= TIMEOUT=600000
HWSC0001I NO ACTIVE CLIENTS
HWSC0001I RMTIMSCON=CONNECT2 STATUS=ACTIVE
HWSC0001I IP-ADDRESS=192.0.2.0 PORT=5555
HWSC0001I HOSTNAME=WWW.EXAMPLE.COM
HWSC0001I AUTOCONN=N PERSISTENT=Y
HWSC0001I IDLETO=6000
HWSC0001I RESVSOC=10 NUMSOC=2
HWSC0001I SENDCLNT LCLPLKID STATUS SECOND SENDPORT
HWSC0001I MSC11111 MSC12 CONN 100 1234
HWSC0001I MSC22222 MSC12 CONN 89 5678
HWSC0001I RMTIMSCON=CONNECT3 STATUS=ACTIVE
HWSC0001I IP-ADDRESS=192.0.2.4 PORT=9999
HWSC0001I HOSTNAME=WWW.EXAMPLE.COM
HWSC0001I AUTOCONN=Y PERSISTENT=Y
HWSC0001I IDLETO=6000
HWSC0001I RESVSOC=4 NUMSOC=4
HWSC0001I SENDCLNT USERID STATUS SECOND SENDPORT
HWSC0001I OTM11111 USER01 CONN 100 1111
HWSC0001I OTM22222 USER01 CONN 89 2222
HWSC0001I OTM33333 USER02 CONN 81 3333
HWSC0001I OTM44444 USER03 RECV 23 4444
HWSC0001I TOTAL SENDCLNTS=4 RECV=1 CONN=3 XMIT=0 OTHER=0
HWSC0001I RMTICICS=ICONNT1 STATUS=NOT ACTIVE
HWSC0001I IP-ADDRESS=192.0.2.1 PORT=9997
HWSC0001I HOSTNAME=WWW.EXAMPLE.COM
HWSC0001I NO ACTIVE CLIENTS
HWSC0001I RMTICICS=ICONNT2 STATUS=ACTIVE
HWSC0001I IP-ADDRESS=192.0.2.2 PORT=9998
HWSC0001I HOSTNAME=WWW.EXAMPLE.COM
HWSC0001I SENDCLNT ISCNAME STATUS SECOND SENDPORT
HWSC0001I ISC11111 LU6TCP2 CONN 100 1111
HWSC0001I ISC22222 LU6TCP2 CONN 89 2222
HWSC0001I TOTAL SENDCLNTS=2 RECV=0 CONN=2 XMIT=0 OTHER=0

```

**Related reference:**

- [z/OS: IPv6 addressing](#)
- [QUERY IMSCON TYPE\(CONFIG\) command \(Commands\)](#)
- “IMS Connect QUERY MEMBER command” on page 621

## VIEWIA command

Use the VIEWIA command to display the status of IMS aliases and the associated ODBMs.

**Subsections:**

- “Syntax”
- “Keywords” on page 587
- “Equivalent IMS Connect type-2 and z/OS commands” on page 587
- “Examples” on page 587

### Syntax

►► *nn*VIEWIA—*alias\_name*—odbm\_name◀◀

## Keywords

The following keywords are valid for the VIEWIA command:

**nn** 2-digit number of z/OS system console outstanding display.

**alias\_name**

Specifies the name of the IMS alias. Wildcards (\* and %) are supported in the name.

**odbm\_name**

Specifies the name of the ODBM. Wildcards (\* and %) are supported in the name. This parameter is optional.

## Equivalent IMS Connect type-2 and z/OS commands

The following table lists IMS Connect type-2 commands and IMS Connect z/OS commands that perform similar functions as the VIEWIA command.

VIEWIA command	Equivalent IMS Connect type-2 command	Equivalent IMS Connect z/OS command
VIEWIA ALL	QUERY IMSCON TYPE(ALIAS) NAME(*) SHOW(ALL   <i>show_parm</i> )	QUERY ALIAS NAME(*)
VIEWIA <i>alias_name</i>	QUERY IMSCON TYPE(ALIAS) NAME( <i>alias_name</i> ) SHOW(ALL   <i>show_parm</i> )	QUERY ALIAS NAME( <i>aliasName</i> )
VIEWIA <i>alias_name</i> <i>odbm_name</i>	QUERY IMSCON TYPE(ALIAS) NAME( <i>alias_name</i> ) ODBM( <i>odbm_name</i> )	QUERY ALIAS NAME( <i>aliasName</i> ) ODBM( <i>odbmName</i> )

## Examples

The following are examples of the VIEWIA command:

*Example 1 for VIEWIA command*

Command input:

```
nnVIEWIA IMSA
```

Command output:

```
HWSC0001I  ALIAS=IMSA ODBM=ODBM10D STATUS=ACTIVE
HWSC0001I  ALIAS=IMSA ODBM=ODBM20D STATUS=NOT ACTIVE(IMSCON)
```

Explanation: This example shows the status of IMS alias IMSA and the associated ODBMs. IMSA is active when routed through ODBM10D, but not active when routed through ODBM20D. The status NOT ACTIVE(IMSCON) indicates that the alias is deactivated by the IMS Connect STOPIA command.

*Example 2 for VIEWIA command*

Command input:

```
nnVIEWIA IMSA ODBM10D
```

Command output:

```
HWSC0001I  ALIAS=IMSA ODBM=ODBM10D STATUS=ACTIVE
```

Explanation: This example shows the status of IMS alias IMSA associated with an ODBM named ODBM1OD. IMSA is active when routed through ODBM1OD.

*Example 3 for VIEWIA command*

Command input:

```
nnVIEWIA IMSA ODBM*
```

Command output:

```
HWSC0001I  ALIAS=IMSA ODBM=ODBM1OD STATUS=ACTIVE
HWSC0001I  ALIAS=IMSA ODBM=ODBM2OD STATUS=ACTIVE
```

Explanation: This example shows the status of IMS alias IMSA associated with ODBMs whose names start with "ODBM". IMSA is active when routed through ODBM1OD and ODBM2OD.

*Example 4 for VIEWIA command*

Command input:

```
nnVIEWIA I*
```

Command output:

```
HWSC0001I  ALIAS=IMS1 ODBM=ODBM1OD STATUS=ACTIVE
HWSC0001I  ALIAS=IMSA ODBM=ODBM1OD STATUS=NOT ACTIVE (IMSCON)
HWSC0001I  ALIAS=IM1A ODBM=ODBM1OD STATUS=ACTIVE
HWSC0001I  ALIAS=IMS1 ODBM=ODBM2OD STATUS=NOT ACTIVE (IMSCON,ODBM)
HWSC0001I  ALIAS=IMSA ODBM=ODBM2OD STATUS=NOT ACTIVE (ODBM)
HWSC0001I  ALIAS=IMS2 ODBM=ODBM2OD STATUS=ACTIVE
HWSC0001I  ALIAS=IMS3 ODBM=ODBM3OD STATUS=NOT ACTIVE (IMSCON)
HWSC0001I  ALIAS=IO3A ODBM=ODBM3OD STATUS=NOT ACTIVE (ODBM)
```

Explanation: This example shows the status of IMS aliases whose names start with "I" and the associated ODBMs. The status NOT ACTIVE indicates whether the alias is deactivated by the IMS Connect STOPIA command (IMSCON), or by the UPDATE ODBM STOP(CONNECTION) ALIAS command (ODBM), or both.

*Example 5 for VIEWIA command*

Command input:

```
nnVIEWIA IMS* ODBM2OD
```

Command output:

```
HWSC0001I  ALIAS=IMSA ODBM=ODBM2OD STATUS=ACTIVE
HWSC0001I  ALIAS=IMSB ODBM=ODBM2OD STATUS=ACTIVE
HWSC0001I  ALIAS=IMSC ODBM=ODBM2OD STATUS=ACTIVE
HWSC0001I  ALIAS=IMSD ODBM=ODBM2OD STATUS=ACTIVE
```

Explanation: This example shows the status of IMS aliases whose names start with "IMS" and are associated with an ODBM named ODBM2OD.

*Example 6 for VIEWIA command*

Command input:

```
nnVIEWIA IMS* ODBM*
```

Command output:



```

HWSC0001I  ALIAS=IMSA ODBM=ODBM10D STATUS=ACTIVE
HWSC0001I  ALIAS=IMSB ODBM=ODBM10D STATUS=ACTIVE
HWSC0001I  ALIAS=IMSA ODBM=ODBM20D STATUS=ACTIVE
HWSC0001I  ALIAS=IMSB ODBM=ODBM20D STATUS=ACTIVE
HWSC0001I  ALIAS=IMSC ODBM=ODBM20D STATUS=ACTIVE
HWSC0001I  ALIAS=IMSD ODBM=ODBM20D STATUS=ACTIVE

```

Explanation: This example shows the status of IMS aliases whose names start with “IMS” and are associated with ODBMs whose name start with “ODBM”.

#### Example 7 for VIEWIA command

Command input:

```
nnVIEWIA IMS% ODBM%OD
```

Command output:


```

HWSC0001I  ALIAS=IMSA ODBM=ODBM10D STATUS=ACTIVE
HWSC0001I  ALIAS=IMSB ODBM=ODBM20D STATUS=ACTIVE
HWSC0001I  ALIAS=IMSA ODBM=ODBM30D STATUS=ACTIVE
HWSC0001I  ALIAS=IMSB ODBM=ODBM40D STATUS=ACTIVE
HWSC0001I  ALIAS=IMSC ODBM=ODBM50D STATUS=ACTIVE
HWSC0001I  ALIAS=IMSD ODBM=ODBM60D STATUS=ACTIVE

```

Explanation: This example shows the status of IMS aliases whose names are 4 characters long and start with “IMS”, and are associated with ODBMs whose names are 7 characters long and start with “ODBM” and end with “OD”.

**Related reference:**

 [QUERY IMSCON TYPE\(ALIAS\) command \(Commands\)](#)  
 “IMS Connect QUERY ALIAS command” on page 613

## VIEWIP command

Use the VIEWIP command to display the current activity for the IMSplex.

Subsections:

- “Syntax”
- “Keywords”
- “Usage notes” on page 590
- “Equivalent IMS Connect type-2 and z/OS commands” on page 590
- “Examples” on page 590

### Syntax

```
►►—nnVIEWIP—imsplex_id—►►
```

### Keywords

The following keywords are valid for the VIEWIP command:

**nn** 2-digit number of z/OS system console outstanding display.

***imsplex\_id***

Specifies the name of the IMSplex for which information is to be displayed. If the IMSplex name is used, this name must match the ID parameter of the IMSplex configuration statement in the HWSCFGxx.

## Usage notes

The VIEWIP command displays the current information for the IMSplex. The information displayed for the IMSplex is:

### IMSPLEX=

Name of the IMSplex, as defined in the ID parameter of the IMSplex configuration statement in the IMS Connect configuration member, HWSCFGxx.

### STATUS=

State of the IMSplex: ACTIVE, NOT ACTIVE, or DISCONNECT.

If the IMSplex does down, IMS Connect is notified (through SCI) of the status of the IMSplex. When the IMSplex is brought back up and restarted, IMS Connect is notified and automatically reconnects to IMSplex.

### MEMBER=

Name of the member as defined in the Member parameter of the IMSplex configuration statement in the IMS Connect configuration member, HWSCFGxx.

### TARGET MEMBER=

Name of the target member of the IMSplex SCI to which IMS has connected and defined in the TMEMBER parameter of the IMSplex configuration statement in the IMS Connect configuration member, HWSCFGxx.

## Equivalent IMS Connect type-2 and z/OS commands

The following table lists IMS Connect type-2 commands and IMS Connect z/OS commands that perform similar functions as the VIEWIP command.


VIEWIP command	Equivalent IMS Connect type-2 command	Equivalent IMS Connect z/OS command
VIEWIP ALL	QUERY IMSCON TYPE(IMSPLEX) NAME(*) SHOW(ALL   <i>show_parm</i> )	QUERY IMSPLEX NAME(*) SHOW(ALL)
VIEWIP <i>IMSplex_name</i>	QUERY IMSCON TYPE(IMSPLEX) NAME( <i>IMSplex_name</i> ) SHOW(ALL   <i>show_parm</i> )	QUERY IMSPLEX NAME( <i>imsplexName</i> ) SHOW(ALL)

## Examples

To view the information for the IMSplex, with TMEMBER name of IMSPLEX1:  
*nn*VIEWIP IMSPLEX1

Where *nn* is the 2-digit number of z/OS system console outstanding display.

### Related reference:

 [QUERY IMSCON TYPE\(IMSPLEX\) command \(Commands\)](#)  
“IMS Connect QUERY IMSPLEX command” on page 619

---

## VIEWMSC command

Use the IMS Connect WTOR command VIEWMSC to display the attributes and status of the MSC links that IMS Connect supports.

The VIEWMSC command displays the same information as the z/OS MODIFY command QUERY MSC.

To display information about the sockets that are currently in use by MSC logical links on an MSC physical link that is defined to IMS Connect, use the IMS Connect WTOR command VIEWRMT or the IMS Connect z/OS MODIFY command QUERY RMTIMSCON.

Subsections:

- “Syntax”
- “Keywords”
- “Usage notes”
- “Equivalent IMS Connect type-2 and z/OS commands”
- “Output fields” on page 592
- “Examples” on page 594

## Syntax

```

▶▶ nnVIEWMSC lclplk_id
      └──┬──┘
        ALL
  
```

## Keywords

The following keywords are valid for the VIEWMSC command:

### ALL

Displays information about all MSC physical links that are defined to this instance IMS Connect.

*nn* The two-digit number of the z/OS system console outstanding display.

### *lclplk\_id*

The ID of the MSC physical link definition, as specified on the LCLPLKID parameter of the MSC statement in the HWSCFGxx PROCLIB member.

## Usage notes

Use the VIEWMSC command to display information of the MSC physical link defined in the LCLPLKID parameter of the MSC statement in the IMS Connect configuration member.

## Equivalent IMS Connect type-2 and z/OS commands

The following table lists IMS Connect type-2 commands and IMS Connect z/OS commands that perform similar functions as the VIEWMSC command.

VIEWMSC command	Equivalent IMS Connect type-2 command	Equivalent IMS Connect z/OS command
VIEWMSC ALL	QUERY IMSCON TYPE(MSC) NAME(*) SHOW(ALL   <i>show_parm</i> )	QUERY MSC NAME(*)
VIEWMSC <i>msc_id</i>	QUERY IMSCON TYPE(MSC) NAME( <i>msc_id</i> ) SHOW(ALL   <i>show_parm</i> )	QUERY MSC NAME( <i>msc_id</i> )

## Output fields

Output fields that return only a single value are displayed in the format FIELD\_LABEL=VALUE, for example: MSC=MSC12.

Output fields that return multiple values, such as the output fields for multiple logical links on an MSC physical link, are displayed in a column format, where the field label is a column heading and the values appear under the heading on separate rows in the column. For example:

	LINK	PARTNERID	STATUS	SENDCLNT	RECVCLNT
HWSC0001I	LINK12A	AA	ACTIVE	MSC11111	MSC33333
HWSC0001I	LINK12B	BB	ACTIVE	MSC22222	MSC44444

The following list describes the output fields of the VIEWMSC command.

**MSC=** Name of the displayed MSC physical link, as specified on the LCLPLKID parameter of the MSC statement in the IMS Connect configuration member. The following additional output fields describe the status, attributes, and logical links that belong to the physical link identified in the MSC= output field:

### STATUS

The state of the MSC physical link displayed in the MSC output field. A physical link can be in the following states:

#### ACTIVE

The MSC physical link is enabled for communications between IMS Connect and the local IMS system.

#### NOT ACTIVE

The MSC physical link is disabled for communications between IMS Connect and the local IMS system.

### RMTPLKID

The ID of the MSC physical link at the remote IMS site, as defined in the RMTPLKID parameter of the MSC statement in the IMS Connect configuration member.

### LCLIMSID

The ID of the local MSC-enabled IMS system, as defined to IMS Connect on the LCLIMS parameter of the MSC statement in the IMS Connect configuration member. This LCLIMS value must match the IMS ID that the local IMS system registers with SCI in the IMSplex. You can determine the IMS ID that is registered with SCI by issuing the QUERY IMSPLEX command in the local IMSplex.

If the second IMS ID is shown in the output, it identifies the other IMS system in an XRF couple.

### RMTIMSID

The name of the remote MSC-enabled IMS system, as defined on the RMTIMS parameter of the MSC statement in the IMS Connect configuration member.

### GENIMSID

The generic IMS ID that is being used for TCP/IP generic resources for MSC, as defined in the GENIMSID parameter of the MSC statement in the IMS Connect configuration member.

**AFFINITY**

The name of the IMS system with which the MSC logical link currently has affinity for TCP/IP generic resources.

**IMSPLEX**

Name of the IMSplex that manages communications between IMS Connect and the local, MSC-enabled IMS system. This name is the IMSplex name that is specified on the IMSPLEX parameter of MSC statement in the IMS Connect configuration member.

This IMSPLEX name must match the name specified on the IMSPLEX(NAME=) statement of the CSLSIxxx PROCLIB member of the SCI instance that is managing communications between IMS Connect and the IMSplex.

**MEMBER**

The name by which this IMS Connect is registered in the IMSplex, as defined on the MEMBER parameter in the IMSPLEX substatement of the MSC statement in the IMS Connect configuration member.

This MEMBER name must also be specified on the LCLICON parameter in the MSPLINK macro that defines this MSC physical link in the local IMS system.

**TARGET MEMBER**

Name of the IMSplex as defined in the TMEMBER subparameter of the IMSPLEX parameter of the MSC statement in the IMS Connect configuration member.

**RMTIMSCON**

The name of the IMS Connect connection that is used by this MSC physical link, as defined in the RMTIMSCON parameter of the MSC statement in the IMS Connect configuration member.

**IP-ADDRESS**

The IP address of the remote IMS Connect instance.

**PORT** The port number used by the remote IMS Connect instance.

**HOSTNAME**

The host name of the remote IMS Connect instance, if one is available.

**LINK** The ID of an MSC logical link that is assigned to this physical link.

The values returned for this output field are displayed in column format.

If no logical links are currently assigned to this physical link, this output field is not displayed.

**PARTNERID**

The ID of the remote partner for this logical link, as specified on the PARTNER parameter in the MSLINK macro that defines this logical link.

The values returned for this output field are displayed in column format.

If no logical links are currently assigned to this physical link, this output field is not displayed.

## STATUS

The current state of this logical link. A logical link can have the following state:

### ACTIVE

This logical link can send messages to the remote IMS Connect.

The values returned for this output field are displayed in column format.

If no logical links are currently assigned to this physical link, this output field is not displayed.

## SENDCLNT

The send socket ID generated by this instance of IMS Connect to identify a send socket opened on this connection. The SENDCLNT ID is used as the client ID when establishing a socket connection with the remote IMS Connect instance.

The send socket IDs generated for sockets on connections that are used for OTMA begin with "OTM." The send socket IDs that are generated for sockets on connections that are used for MSC begin with "MSC."

The values returned for this output field are displayed in column format.

If no logical links are currently assigned to this physical link, this output field is not displayed.

## RECVCLNT

The client ID that identifies the receive socket for this logical link. The client ID is generated by the remote IMS Connect instance.

The values returned for this output field are displayed in column format.

If no logical links are currently assigned to this physical link, this output field is not displayed.

## Examples

In the following example, the VIEWMSC command returns information about the MSC physical link MSC13:

```
nnVIEWMSC MSC13
HWSC0001I  MSC=MSC13  STATUS=ACTIVE
HWSC0001I  RMTPLKID=MSC31
HWSC0001I  LCLIMSID=IMS1  RMTIMSID=IMS3
HWSC0001I  GENIMSID=  AFFINITY=
HWSC0001I  IMSPLEX=PLEX1
HWSC0001I  MEMBER=HWS1  TARGET MEMBER=PLEX1
HWSC0001I  RMTIMSCON=ICONNT2
HWSC0001I  IP-ADDRESS=127.0.0.1  PORT=9992
HWSC0001I  HOSTNAME=
HWSC0001I  NO ACTIVE LINK
```

In the following example, the VIEWMSC command returns information about the MSC physical link MSC12:

```
nnVIEWMSC MSC12
```

```

HWSC0001I    MSC=MSC12    STATUS=ACTIVE
HWSC0001I    RMTPLKID=MSC21
HWSC0001I    LCLIMSID=IMS1    ,IMS3    RMTIMSID=IMS3
HWSC0001I    GENIMSID=IMS    AFFINITY=
HWSC0001I    IMSPLEX=PLEX1
HWSC0001I    MEMBER=HWS1    TARGET MEMBER=PLEX1
HWSC0001I    RMTIMSCON=ICONNT1
HWSC0001I    IP-ADDRESS=192.0.2.2    PORT=9999
HWSC0001I    HOSTNAME=WWW.EXAMPLE.COM
HWSC0001I    NO ACTIVE LINK

```

**Related reference:**

“IMS Connect QUERY MSC command” on page 645

 [QUERY IMSCON TYPE\(MSC\) command \(Commands\)](#)

## VIEWPORT command

Use the VIEWPORT command to display the status, clients, and activity of a port.

Subsections:

- “Syntax”
- “Keywords”
- “Usage notes” on page 596
- “Equivalent IMS Connect type-2 and z/OS commands” on page 596
- “Output fields” on page 596
- “Example 1 for VIEWPORT command” on page 598

### Syntax



### Keywords

The following keywords are valid for the VIEWPORT command:

**nn** 2-digit number of z/OS system console outstanding display.

**portid** Specifies the port for which information is to be displayed. The *portid* specified must match the port number defined on the PORTID, PORT, or SSLPORT substatement of the TCPIP configuration statement or on the DRDAPORT substatement of the ODACCESS configuration statement in the IMS Connect configuration PROCLIB member. Information displayed is for that port only.

**ALL** Displays information about all the ports defined in the TCPIP and ODACCESS configuration statements in the IMS Connect configuration PROCLIB member.

**LOCAL**

Displays information about all clients that are using local port communications through IMS TM Resource Adapter.

## Usage notes

Use the VIEWPORT command to display the current status, client, and activity of one port or all ports.

The information displayed by *nn*VIEWPORT ALL is the same as the information returned for all ports by the VIEWHWS command.

## Equivalent IMS Connect type-2 and z/OS commands

The following table lists IMS Connect type-2 commands and IMS Connect z/OS commands that perform similar functions as the VIEWPORT command.

VIEWPORT command	Equivalent IMS Connect type-2 command	Equivalent IMS Connect z/OS command
VIEWPORT ALL	QUERY IMSCON TYPE(PORT) NAME(*) SHOW(ALL   <i>show_parm</i> )	QUERY PORT NAME(*) SHOW(ALL)
VIEWPORT <i>port_id</i>	QUERY IMSCON TYPE(PORT) NAME( <i>portid</i> ) SHOW(ALL   <i>show_parm</i> )	QUERY PORT NAME( <i>port_id</i> ) SHOW(ALL)
VIEWPORT LOCAL	QUERY IMSCON TYPE(PORT) NAME(LOCAL) SHOW(ALL   <i>show_parm</i> )	QUERY PORT NAME(LOCAL) SHOW(ALL)

## Output fields

The following list describes the output fields of the VIEWPORT command.

### PORT=

Identifies the port or ports to which the following output fields and statuses apply. The port numbers are defined in the IMS Connect configuration member in the IMS.PROCLIB data set.

You can determine the type of a port by the port-type indicator that is appended to the end of the port number. IMS Connect uses the following port-type indicators:

#### No type indicator

Indicates a port that can be used for IMS TM OTMA clients and IMS-to-IMS MSC or OTMA communications. Ports that do not have a type indicator are defined on either the PORT keyword or the PORTID keyword of the TCPIP statement in the IMS Connect configuration member.

**C** Indicates an IBM CICS Transaction Server for z/OS port for ISC communications that is defined to IMS Connect on the CICSPORT parameter of the TCPIP and ISC statements. CICS ports are used exclusively by CICS subsystems that access IMS TM via an ISC TCP/IP link.

**D** Indicates a Distributed Relational Database Architecture (DRDA) port that is defined to IMS Connect on the DRDAPORT parameter. DRDA ports are used exclusively by client application programs that access IMS DB through the Open Database Manager (ODBM).

**S** Indicates an SSL port that is defined to IMS Connect on the SSLPORT parameter. SSL ports are used only when IMS Connect support for SSL is enabled.



The following output fields apply to the port identified in the preceding PORT output field.

**STATUS**

State of the port, whether ACTIVE or INACTIVE.

**KEEPAV**

The amount of time a connection remains idle before the z/OS TCP/IP layer sends a packet to maintain the connection.

**NUMSOC**

The number of sockets used on each port.

**TIMEOUT**

The amount of time IMS Connect waits before terminating a client connection if no messages are received from the client.

**CLIENTID ISCNAME STATUS SECOND CLNTPORT IP-ADDRESS**

or

**CLIENTID LCLPLKID STATUS SECOND CLNTPORT IP-ADDRESS**

or

**CLIENTID USERID TRANCODE DATASTORE STATUS SECOND CLNTPORT IP-ADDRESS APSB-TOKEN**

The ID and information for an active client on a receive socket.

The information for each active client is displayed on a single row. Clients are grouped together by client type under a row of headings that identify the information that is returned for that client type.

For ISC clients, the following information is displayed: CLIENTID ISCNAME STATUS SECOND CLNTPORT IP-ADDRESS.

For MSC clients, the following information is displayed: CLIENTID LCLPLKID STATUS SECOND CLNTPORT IP-ADDRESS.

For OTMA and ODBM clients, the following information is displayed: CLIENTID USERID TRANCODE DATASTORE STATUS SECOND CLNTPORT IP-ADDRESS APSB-TOKEN.

The following example shows the information returned for three OTMA clients:

```

HWSC0001I PORT=9999 STATUS=ACTIVE KEEPAV=0 NUMSOC=4 EDIT= TIMEOUT=0
HWSC0001I CLIENTID USERID TRANCODE DATASTORE STATUS SECOND CLNTPORT IP-ADDRESS APSB-TOKEN
HWSC0001I CLIENT63 USRT003 apo112 IMSY RECV WFCM 55 4118 192.0.2.0
HWSC0001I CLIENT62 USRT002 IMS1 CONN 210 4115 192.0.2.0
HWSC0001I CLIENT61 USRT001 apo112 IMSN RECV 13 4112 192.0.2.0
HWSC0001I TOTAL CLIENTS=3 RECV=2 CONN=1 XMIT=0 OTHER=0
  
```

If a port has no active clients on it, these output fields are not displayed. Instead, the command output displays NO ACTIVE CLIENTS after the row that identifies the port.

The information returned for active clients includes, in alphabetical order:

**APSB-TOKEN**

Open Database Manager (ODBM) APSB token.

**CLIENTID**

The name of the client.

For connections from other IMS Connect instances, the other IMS Connect instance generates this value.

**CLNTPORT**

A random number that TCP/IP generates to represent a connection from a client.

**DATASTORE**

The data store associated with this client.

The IP address of the client for this connection.

If IPV6 is enabled, the IP address format consists of eight hexadecimal numbers divided by colons. If IPV6 is not enabled, the IP address format of IPV4 is used. The following example is for an IPV6 IP address that is displayed in IPV6 format:

FEDC:ABCD:2222:3333:FEDC:DB55:6666:3322

The following example is for an IPV4 IP address that is displayed in IPV6 format:

0:0:0:0:0:FFFF:945:33FF

**ISCNAME**

The name of the ISC statement in the IMS Connect configuration member.

**LCLPLKID**

The MSC physical link in the local IMS system to which IMS Connect routes the messages from the client. This field exists only for MSC communications.

**SECOND**

Number of seconds that the client has been in the specified status.

**STATUS**

State of the thread of the client. The client thread state can be one of the following values:

**RECV** In a receive state waiting for input from client.

**READ** In a partial read state. IMS Connect is reading a message from the client but has not yet received the entire length of the message.

**CONN**

Waiting for output from IMS.

**XMIT** Sending data to client.

**CONV**

In a conversational state.

**WFCM**

Waiting for confirmation (ACK, NAK, or DEALLOCATE) from client.

**TRANCODE**

The transaction code submitted by the client.

**USERID**

The USERID name passed to IMS Connect.

**Example 1 for VIEWPORT command**

In the following example, *nn* is the 2-digit number of z/OS system console outstanding display.

To view the information for a single port, 9999:

```
nnVIEWPORT 9999
```

To view the information for all ports defined to the IMS Connect:

```
nnVIEWPORT ALL
```

The command `nnVIEWPORT ALL` produces the following output:

```
HWSC0001I PORT=9999 STATUS=ACTIVE KEEPAV=0 NUMSOC=4 EDIT= TIMEOUT=0
HWSC0001I CLIENTID USERID TRANCODE DATASTORE STATUS SECOND CLNTPORT IP-ADDRESS APSB-TOKEN
HWSC0001I CLIENT63 USRT003 apo112 IMSY RECV WFCM 55 4118 192.0.2.0
HWSC0001I CLIENT62 USRT002 IMS1 CONN 210 4115 192.0.2.1
HWSC0001I CLIENT61 USRT001 apo112 IMSN RECV 13 4112 192.0.2.2
HWSC0001I TOTAL CLIENTS=3 RECV=2 CONN=1 XMIT=0 OTHER=0
HWSC0001I PORT=LOCAL STATUS=ACTIVE KEEPAV=0 NUMSOC=0 EDIT= TIMEOUT=0
HWSC0001I NO ACTIVE CLIENTS
HWSC0001I PORT=9998S STATUS=NOT ACTIVE KEEPAV=0 NUMSOC=1 EDIT= TIMEOUT=0
HWSC0001I PORT=1111D STATUS=ACTIVE KEEPAV=5 NUMSOC=1 EDIT= TIMEOUT=6000
HWSC0001I NO ACTIVE CLIENTS
HWSC0001I PORT=2222D STATUS=ACTIVE KEEPAV=0 NUMSOC=1 EDIT= TIMEOUT=100
HWSC0001I NO ACTIVE CLIENTS
```

## Example 2: IMS Connect to IMS Connect connections for MSC

For IMS Connect to IMS Connect connections that are used for MSC, the information displayed by `VIEWPORT` and `QUERY PORT` commands relates only to the receiving end of the IMS Connect to IMS Connect connection. To view information about the sending side of an IMS Connect to IMS Connect connection, use the `VIEWRMT` or `QUERY RMTIMSCON` command.

In the following example output, the `VIEWPORT` or `QUERY PORT` command was executed on a local IMS Connect. The command output displays the information for port 9999, on which IMS Connect receives MSC messages. The client connections on the port, `MSCC73E0` and `MSC0EBB0`, are shown under `CLIENTID`. The `LCLPLKID` label identifies this port as being used for MSC TCP/IP communication.

```
HWSC0001I PORT=9999 STATUS=ACTIVE KEEPAV=0 NUMSOC=3 EDIT= TIMEOUT=0
HWSC0001I CLIENTID LCLPLKID STATUS SECOND CLNTPORT IP-ADDRESS
HWSC0001I MSCC73E0 MSC12 RECV 6 1026 2001:DB8:0:0:0:0:0/32
HWSC0001I MSC0EBB0 MSC12 RECV 56 1025 2001:DB8:0:0:0:0:0/32
HWSC0001I TOTAL CLIENTS=2 RECV=2 READ=0 CONN=0 XMIT=0 OTHER=0
```

## Example 3: IMS Connect to IMS Connect connections for OTMA

If a socket connection between IMS Connect instances is used for OTMA messages, the `VIEWPORT` or `QUERY PORT` command output shows relevant port information only when issued at the receiving IMS Connect instance.

In the sending IMS Connect instance, the `VIEWPORT` or `QUERY PORT` command does not display port information that is relevant to the IMS Connect to IMS Connect connection. However, the `VIEWRMT` or `QUERY RMTIMSCON` command displays the listening port of the receiving IMS Connect, as well as the send client ID associated with the connection. The listening port and send client ID match the information displayed at the receiving installation by the `VIEWPORT` or `QUERY PORT` command.

In the receiving IMS Connect instance, the `VIEWPORT` or `QUERY PORT` command displays the port that the receiving IMS Connect is listening on and the sending client ID associated with the connection.

The following example shows the output from the VIEWPORT or QUERY PORT command on a receiving IMS Connect instance. The port that the receiving IMS Connect uses for the IMS Connect to IMS Connect connection is identified by PORT=5555. The connection from the sending IMS Connect is identified by the auto-generated client ID, OTM924FA, that is shown under CLIENTID. This CLIENTID value is the same value shown under SENDCLNT at the sending IMS installation. The CLNTPORT is the port that the sending IMS Connect uses to send messages on the connection.

```

HWSC0001I  PORT=5555  STATUS=ACTIVE  KEEPAV=0  NUMSOC=2  EDIT=  TIMEOUT=0
HWSC0001I  CLIENTID USERID  TRANCODE  DATASTORE  STATUS  SECOND  CLNTPORT  IP-ADDRESS  APSB-TOKEN
HWSC0001I  OTM924FA APOL1  APOL11  IMS2  RECV  11  1026  2001:DB8:0:0:0:0:0/32
HWSC0001I  TOTAL CLIENTS=1  RECV=1  READ=0  CONN=0  XMIT=0  OTHER=0

```

#### Example 4: An ISC TCP/IP connection to CICS

Command input:

```
nnVIEWPORT 7777
```

Command output:

```

HWSC0001I  PORT=7777C  STATUS=ACTIVE  KEEPAV=0  NUMSOC=3  EDIT=  TIMEOUT=0
HWSC0001I  CLIENTID  ISCNAME  STATUS  SECOND  CLNTPORT  IP-ADDRESS
HWSC0001I  ISC33333  LU6TCP2  CONN  14  3579  2001:DB8:0:0:0:0:0/32
HWSC0001I  ISC44444  LU6TCP2  CONN  9  2468  2001:DB8:0:0:0:0:0/32
HWSC0001I  TOTAL CLIENTS=3  RECV=1  CONN=2  XMIT=0  OTHER=0

```

Related reference:

➤ z/OS: IPv6 addressing

➤ QUERY IMSCON TYPE(PORT) command (Commands)

“IMS Connect QUERY PORT command” on page 650

---

## VIEWRMT command

Use the VIEWRMT command in a local instance of IMS Connect to display information about all connections to a remote instance of IMS Connect.

Subsections:

- “Syntax”
- “Keywords”
- “Usage notes” on page 601
- “Equivalent IMS Connect type-2 and z/OS commands” on page 601
- “Examples” on page 604

### Syntax

```

➤—nnVIEWRMT—          rmtimscon_id          —➤
                  └──ALL──┘

```

### Keywords

The following keywords are valid for the VIEWRMT command:

**ALL**

Displays information about all remote IMS Connect connections that are defined to this instance IMS Connect.

*nn* The two-digit number of the z/OS system console outstanding display.

***rmtimscon\_id***

The ID of a connection to a remote instance of IMS Connect. The value specified here must match a value specified on the ID parameter of a RMTIMSCON statement that is defined to the local IMS Connect instance.

**Usage notes**

Use the VIEWRMT command to display information about the attributes and status of connections with remote instances of IMS Connect and about the sockets that are currently open on the connections.

**Equivalent IMS Connect type-2 and z/OS commands**

The following table lists IMS Connect type-2 commands and IMS Connect z/OS commands that perform similar functions as the VIEWRMT command.

VIEWRMT command	Equivalent IMS Connect type-2 command	Equivalent IMS Connect z/OS command
VIEWRMT ALL	QUERY IMSCON TYPE(RMTIMSCON) NAME(*) SHOW(ALL   <i>show_parm</i> )	QUERY RMTIMSCON NAME(*)
VIEWRMT <i>rmtimscon_name</i>	QUERY IMSCON TYPE(RMTIMSCON) NAME( <i>rmtimscon_name</i> ) SHOW(ALL   <i>show_parm</i> )	QUERY RMTIMSCON NAME( <i>rmtimscon_name</i> )

**Output fields**

Output fields that return only a single value are displayed in the format FIELD\_LABEL=VALUE, for example: RMTIMSCON=ICON1.

Output fields that return multiple values, such as the output fields for multiple sockets on a connection, are displayed in a column format, where the field label is a column heading and the values appear under the heading on separate rows in the column. For example:

```
HWSC0001I   SENDCLNT USERID   STATUS SECOND SENDPORT
HWSC0001I   OTM11111 USER01   CONN      100 1111
HWSC0001I   OTM22222 USER01   CONN      89 2222
```

The following list describes the output fields of the VIEWRMT command.

**RMTIMSCON=**

Identifies a connection between this local IMS Connect instance and a remote instance of IMS Connect. The following additional output fields describe the status, attributes, and sockets that belong to the connection identified in the RMTIMSCON output field:

**STATUS**

The state of the connection displayed in the RMTIMSCON output field. A connection can be in the following states:

**ACTIVE**

This connection has at least one send socket open to a remote IMS Connect instance.

**NOT ACTIVE**

This connection does not have any send sockets open to a remote IMS Connect instance.

**RETRY CONN**

IMS Connect is attempting to automatically reconnect to the remote IMS Connect instance after a previous attempt to connect failed. If the current reconnection attempt fails, IMS Connect attempts to reconnect again every 2 minutes.

While a connection has a RETRY CONN status, the number of open sockets fluctuates. IMS Connect opens a socket when actively trying to reconnect. IMS Connect closes the socket during the 2-minute interval between reconnection attempts.

**STOPPED**

A STOPRMT command stopped communication on this connection. Any messages sent to this connection are rejected and an error is sent back to the sender.

**IP-ADDRESS**

The IP address of the IMS Connect instance at the remote end of this connection.

**PORT** The port number used by the remote IMS Connect instance for this connection.

**HOSTNAME**

The host name of the remote IMS Connect instance, if available.

**AUTOCONN**

Indicates whether IMS Connect automatically establishes send sockets for OTMA communications on this connection during IMS Connect startup. Possible values are:

- Y** Send sockets are automatically established on this connection when IMS Connect starts up. The number of sockets that IMS Connect establishes during startup is displayed in the RESVSOC output field
- N** No sockets are established on this connection during IMS Connect startup. For OTMA messages, send sockets are established upon receipt of a message from OTMA for delivery to the remote IMS system.

**PERSISTENT**

Indicates whether the sockets on this connection are persistent.

- Y** The sockets established on this connection are persistent.
- N** The sockets established on this connection are not persistent. After messages are sent on this connection, the sockets that they are sent on are closed.

**IDLETO**

The time interval that open sockets on this connection can remain idle before they are closed by IMS Connect.

**RESVSOC**

The number of send sockets that are reserved for use by this connection.

**NUMSOC**

The number of sockets that are currently open on this connection.

**SENDCLNT**

The randomly generated send socket ID. The local instance of IMS Connect uses the ID to uniquely identify the socket. The send socket ID is used as the client ID when establishing a socket connection with the remote IMS Connect instance.

The send socket IDs that are used for OTMA begin with "OTM."  
The send socket IDs that are used for MSC begin with "MSC."

The values returned for this output field are displayed in tabular format.

If no sockets are currently open on this connection, this output field is not displayed.

**LCLPLKID**

The ID of a local MSC physical link that is using this connection. This value is specified on the LCLPLKID parameter of the MSC statement in the IMS Connect configuration member. The LCLPLKID output field is displayed only for connections that are used for MSC communications.

The values returned for this output field are displayed in tabular format.

If no sockets are currently open on this connection, this output field is not displayed.

**USERID**

The user ID provided by the local IMS system for transaction authorization by the remote IMS system. The USERID output field is displayed only for connections that are used for OTMA communications.

If no sockets are currently open on this connection, this output field is not displayed.

The values returned for this output field are displayed in tabular format.

**STATUS**

The current state of this socket connection. A socket connection can have the following states:

**CONN**

This socket connection can send messages to the remote IMS Connect.

**RECV** This socket connection is waiting to receive a response from the remote IMS Connect.

The values returned for this output field are displayed in tabular format.

If no sockets are currently open on this connection, this output field is not displayed.

**SECOND**

The number of seconds that this connection has been in the state shown on the same row under the STATUS output field heading.

The values returned for this output field are displayed in tabular format.

If no sockets are currently open on this connection, this output field is not displayed.

#### SENDPORT

The local port used for this connection.

The values returned for this output field are displayed in tabular format.

If no sockets are currently open on this connection, this output field is not displayed.

## Examples

The following example shows a VIEWRMT command that returns information about all connections to remote IMS Connect instances:

```
nnVIEWRMT ALL
```

The following example shows the output produced by a VIEWRMT command:

```
HWSC0001I RMTIMSCON=CONNECT2 STATUS=ACTIVE
HWSC0001I IP-ADDRESS=127.0.0.1 PORT=5555
HWSC0001I HOSTNAME=ICON2.EXAMPLE.COM
HWSC0001I AUTOCONN=N PERSISTENT=Y
HWSC0001I IDLETO=6000
HWSC0001I RESVSOC=10 NUMSOC=2
HWSC0001I SENDCLNT LCLPLKID STATUS SECOND SENDPORT
HWSC0001I MSC11111 MSC12 CONN 100 1234
HWSC0001I MSC22222 MSC12 CONN 89 5678
HWSC0001I RMTIMSCON=CONNECT3 STATUS=ACTIVE
HWSC0001I IP-ADDRESS=192.0.2.0 PORT=9999
HWSC0001I HOSTNAME=ICON3.EXAMPLE.COM
HWSC0001I AUTOCONN=Y PERSISTENT=Y
HWSC0001I IDLETO=6000
HWSC0001I RESVSOC=4 NUMSOC=4
HWSC0001I SENDCLNT USERID STATUS SECOND SENDPORT
HWSC0001I OTM11111 USER01 CONN 100 1111
HWSC0001I OTM22222 USER01 CONN 89 2222
HWSC0001I OTM33333 USER02 CONN 81 3333
HWSC0001I OTM44444 USER03 RECV 23 4444
```

#### Related reference:

“STOPSCLN command” on page 555

 QUERY IMSCON TYPE(RMTIMSCON) command (Commands)

“IMS Connect QUERY RMTIMSCON command” on page 655

---

## VIEWUOR command

Use the VIEWUOR command to display the current status of a specific unit of recovery identifier (URID) or all URIDs in IMS Connect.

Subsections:

- “Syntax” on page 605
- “Keywords” on page 605
- “Equivalent IMS Connect type-2 and z/OS commands” on page 605
- “Output fields” on page 605



## Syntax

► *nn*VIEWUOR *urid*  
ALL ►

## Keywords

The following keywords are valid for the VIEWUOR command:

***nn*** 2-digit number of z/OS system console outstanding display.

***urid* | ALL**

Specifies the status of a specific unit of recovery identifier or all unit recovery identifiers to be displayed.

## Equivalent IMS Connect type-2 and z/OS commands

The following table lists IMS Connect type-2 commands and IMS Connect z/OS commands that perform similar functions as the VIEWUOR command.

VIEWUOR command	Equivalent IMS Connect type-2 command	Equivalent IMS Connect z/OS command
VIEWUOR ALL	QUERY IMSCON TYPE(UOR) NAME(*) SHOW(ALL   <i>show_parm</i> )	QUERY UOR NAME(*) SHOW(ALL)
VIEWUOR <i>uor_id</i>	QUERY IMSCON TYPE(UOR) NAME( <i>uor_id</i> ) SHOW(ALL   <i>show_parm</i> )	QUERY UOR NAME( <i>uor_id</i> ) SHOW(ALL)

## Output fields

Information displayed includes:

**URID** Identifies the 16-byte character string of a specific unit-of-recovery identifier.

### STATE

State of the UOR. The UOR state can be one of the following values:

- **IN\_RESET** - The UOR is starting and has not yet changed any resources.
- **IN\_FLIGHT** - The UOR can access resources and has the potential to change resources, but the changes are not committed.
- **IN\_STATE\_CHECK** - The UOR issues a commit and waits for the resource manager's **STATE\_CHECK** exit routine to check if the resources are in the correct state.
- **IN\_PREPARE** - The UOR in the proper state issues a commit and z/OS Resource Recovery Services (RRS) invokes the **PREPARE** exit routine.
- **IN\_DOUBT** - RRS is waiting for the resource manager to tell it whether to resolve the UOR by a commit or by a backout.
- **IN\_COMMIT** - One of the following actions occurred:
  - The **PREPARE** exit routines replied YES.
  - The **DSRM** or **SDSRM** told RRS to commit an **IN\_DOUBT** UOR.
  - The installation used the RRS panels to commit an **IN\_DOUBT** UOR.
- **IN\_BACKOUT** - One of the following actions occurred:
  - One or more **PREPARE** exit routines replied NO.

- The application issued a backout.
- The DSRM or SDSRM told RRS to back out an IN\_DOUBT UOR.
- The installation used the RRS panels to back out an IN\_DOUBT UOR.
- Before phase 2 of the two-phase-commit protocol, the system, application, RRS, or a resource manager failed.
- IN\_END - The resources have been updated.
- IN\_ONLY\_AGENT - Only one resource manager expressed interest in the UOR.
- IN\_COMPLETION - The resources have been updated and RRS has completed processing the UOR.
- IN\_FORGET - During distributed processing, the UOR has completed but RRS is waiting for the SDSRM to indicate how long to process the log records for the UOR.
- FORGOTTEN - The UOR has completed, and RRS has deleted its log records.

**XID** (X/Open identifier) Identifies the distributed transaction used by the X/Open architecture. The XID is comprised of four parts:

- FMID - 4-byte fixed format id
- GTRID - 4-byte fixed GTRID length
- BQUAL - 4-byte fixed BQUAL length
- XID - 128-byte character XID

**TOTAL UOR**

The total number of all UORs in any state.

**INDOUBT**

The total number of UORs in IN\_DOUBT state.

**INBACKOUT**

The total number of UORs in IN\_BACKOUT state.

**INCOMMIT**

The total number of UORs in IN\_COMMIT state.

**OTHER**

The total number of UORs in other states.

**Related reference:**

 [QUERY IMSCON TYPE\(UOR\) command \(Commands\)](#)

“IMS Connect QUERY UOR command” on page 659

---

## Chapter 25. IMS Connect z/OS commands

The IMS Connect z/OS commands can be used and issued through the z/OS (MVS) interface. The z/OS modify interface enables you to direct commands to IMS Connect using only the IMS Connect *jobname*.

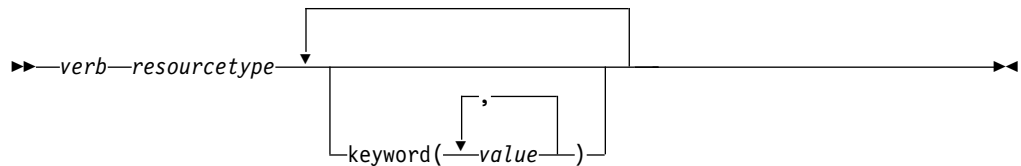
**Related reference:**

➡ Equivalent IMS Connect WTOR, z/OS, and type-2 commands (Commands)

---

### IMS Connect z/OS command syntax

IMS Connect supports the verb-resourcetype syntax. The verb-resourcetype syntax consists of a verb, a resource type, and zero or more keyword value pairs, with the values enclosed in parentheses.



**verb** A command verb that represents an action. Verb examples include QUERY, SHUTDOWN, UPDATE, and DELETE.

**resourcetype**

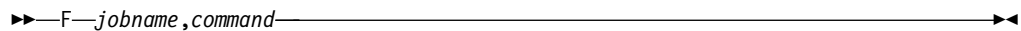
The type of resource that is operated on by the verb. Some resource examples are DATASTORE, PORT, MEMBER, and UOR.

**keyword(value)**

One or more optional keywords and values that represent attributes, filters, or other modifiers that apply to the command. For example, NAME() to identify the specific resources or SET() to set an option.

### IMS Connect z/OS invocation

Some IMS Connect commands can be issued through the z/OS MODIFY command interface. The following syntax diagram illustrates the general syntax for entering commands through the MODIFY command interface.



**F** The z/OS modify command.

**jobname**

The jobname of the address space to which the command is directed.

**command**

The command being issued.

## IMS Connect wildcard character support

Some parameters on IMS Connect commands support wildcard characters for pattern matching. For such parameters, you can use the following wildcard parameters:

- \* Matches zero or more characters
- % Matches exactly one character

The following examples illustrate some uses of wildcard characters.

### CO\*

Matches any string of any length that begins with "CO". For instance: CO, COO, COOP.

### %%S

Matches any three-character string that ends with "S". For instance: IMS, CQS.

---

## IMS Connect DELETE CLIENT command

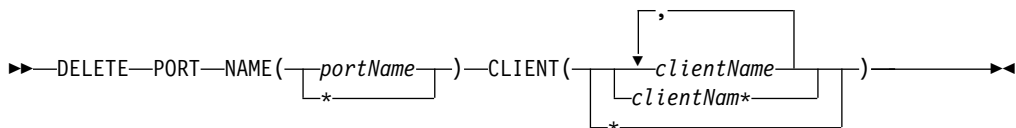
The IMS Connect DELETE CLIENT command deletes a client resource type.

This command performs functions similar to the STOPCLNT command.

Subsections:

- "Syntax"
- "Keywords"
- "Equivalent IMS Connect type-2 and WTOR commands" on page 609
- "Examples" on page 609

### Syntax



### Keywords

DELETE PORT is used to delete the client within the specified port name. DELETE or DEL is used to delete the client of the specified resource, which in this case is PORT. PORT is an IMS Connect managed resource.

#### NAME ( )

Specifies the name of the port where you want the client to be deleted. You can specify name(\*) for the command to be processed for all ports.

#### CLIENT ( )

Specifies the name of the client, a wildcard, or a list of client names which you want to be deleted. You can specify client(\*) for the command to be processed for all clients.

## Equivalent IMS Connect type-2 and WTOR commands

The following table lists IMS Connect type-2 commands and IMS Connect WTOR commands that perform similar functions as the DELETE CLIENT command.

DELETE CLIENT command	Equivalent IMS Connect type-2 command	Equivalent WTOR command
DELETE PORT NAME( <i>portName</i> ) CLIENT( <i>clientName</i> )	UPDATE IMSCON TYPE(CLIENT) NAME( <i>client_name</i> ) PORT( <i>portid</i> ) STOP(COMM)	STOPCLNT <i>portid clientid</i>

### Examples

Command input:

```
F HWS01,DEL PORT NAME(9999) CLIENT(CLIENT01)
```


Command output:

```
HWSS0761I TCP/IP COMMUNICATION WITH CLIENT=9999_CLIENT01 STOPPED; M=SCCM
```

Explanation: The client, CLIENT01, within port number 9999 is deleted.

**Related reference:**

“STOPCLNT command” on page 543

 [UPDATE IMSCON TYPE\(CLIENT\) command \(Commands\)](#)

---

## IMS Connect DELETE LINK command

Use the z/OS MODIFY command DELETE LINK to stop communications on an MSC logical link that is assigned to an MSC physical link in IMS Connect.

Subsections:

- “Syntax”
- “Keywords”
- “Usage” on page 610
- “Equivalent IMS Connect type-2 and WTOR commands” on page 611
- “Examples” on page 611

### Syntax

```
►►—DELETE—LINK—NAME( ( logical_link_name | logical_link* ) ) [LCLPLKID(lclplk_id)]
```

### Keywords

The command DELETE LINK is used to stop an MSC logical link. DELETE or DEL is used to delete or terminate the specified resource, LINK. LINK represents an MSC logical link that is managed by IMS Connect.

**NAME ( )**

The name of the MSC logical link to be stopped. You can specify a single link name, a wildcard name, or a list of link names separated by commas. You can

specify NAME(\*) for the command to be processed for all MSC logical links. If the DELETE LINK command is executed against two or more physical links, all logical links that use the specified logical link name are stopped.

***logical\_link\_name***

The MSC logical link to be stopped.

**LCLPLKID**

Restricts the processing of this command to the MSC physical link that has the specified LCLPLKID. This keyword is optional.

If an LCLPLKID value is not specified, the DELETE LINK command stops all matching logical link names on all MSC physical links that are defined to IMS Connect.

***lclplk\_id***

The ID of an MSC physical link, as specified on the LCLPLKID parameter of the MSC statement in the IMS Connect configuration member.

## Usage

Use the DELETE LINK command to clean up the resources associated with an MSC logical link when the link has already been terminated, but the IMS Connect resources associated with the link were not cleaned up correctly.

**Recommendation:** Use the IMS command /PSTOP to terminate MSC logical links. Use the DELETE LINK command only when the IMS Connect resources associated with an MSC logical link that has already been terminated have failed to clean up correctly.

When the DELETE LINK command is issued, IMS Connect:

- Stops communication on the MSC logical link
- Informs IMS that communication has stopped on the logical link
- Deletes the control blocks associated with the logical link and frees the associated storage
- Issues message HWSF3310I

To avoid accidentally stopping a logical link that uses the same logical link name on another physical link, limit the command processing to a specific physical link by specifying the name of the target physical link as the *lclplk\_id* value.

If the DELETE LINK command is issued against two or more physical links, or the *lclplk\_id* value is omitted, IMS Connect stops communication on all MSC logical links that match the *logical\_link\_name* specified on the DELETE LINK command.

To display information about the MSC logical links that are assigned to the MSC physical links that are defined to an IMS Connect instance, use any of the following commands:

- QUERY IMSCON TYPE(LINK) IMS type-2 command for IMS Connect
- QUERY IMSCON TYPE(MSC) IMS type-2 command for IMS Connect
- VIEWMSC WTOR command for IMS Connect
- QUERY MSC z/OS modify command for IMS Connect

## Equivalent IMS Connect type-2 and WTOR commands

The following table lists IMS Connect type-2 commands and IMS Connect WTOR commands that perform similar functions as the DELETE LINK command.

DELETE LINK command	Equivalent IMS Connect type-2 command	Equivalent WTOR command
DELETE LINK NAME( <i>linkName</i> )	UPDATE IMSCON TYPE(LINK) NAME( <i>link_name</i> ) STOP(COMM)	STOPLINK <i>linkName</i>
DELETE LINK NAME( <i>linkname</i> ) LCLPLKID( <i>lclPlkid</i> )	UPDATE IMSCON TYPE(LINK) NAME( <i>linkname</i> ) MSC( <i>lclPlkid</i> ) STOP(COMM)	STOPLINK <i>linkname</i> <i>lclPlkid</i>

## Examples

Command input:

```
F ICON1,DELETE LINK NAME(MSCLINK1)
```

Command output:

```
HWSF3310I LOGICAL LINK MSCLINK1 TERMINATED; MSC=MSC12, M=modc
```

**Related reference:**

“STOPLINK command” on page 548

[↗](#) UPDATE IMSCON TYPE(LINK) command (Commands)

---

## IMS Connect DELETE SENDCLNT command

When IMS Connect is used for sending OTMA messages to a remote IMS system, use the DELETE SENDCLNT command on a local IMS Connect instance to terminate the send sockets on the connection to the remote IMS Connect instance. DELETE SENDCLNT is a z/OS MODIFY command that performs similar functions as the WTOR command STOPSCLN.

Subsections:

- “Syntax”
- “Keywords”
- “Usage” on page 612
- “Equivalent IMS Connect type-2 and WTOR commands” on page 612
- “Examples” on page 613

## Syntax

```
➤—DELETE—RMTIMSCON—NAME(-rmtimscn_id-)—SENDCLNT(client_id | cli* | *)—➤
```

## Keywords

The DELETE keyword is used to terminate a specified IMS Connect resource. The SENDCLNT keyword, which represents one or more specific send sockets on an IMS Connect to IMS Connect connection that is used for OTMA messages, is a

resource managed by IMS Connect. The command DELETE SENDCLNT is used to terminate one or more specified OTMA send sockets that are managed by IMS Connect.

**NAME(*rmtimscon\_id*)**

The ID of the IMS Connect to IMS Connect connection on which the OTMA send sockets are open. The value specified for *rmtimscon\_id* must match a value specified on the ID parameter of a RMTIMSCON statement of the IMS Connect instance specified on the MVS MODIFY command.

**SENDCLNT(*sendclnt\_id*)**

The ID of the send socket to be terminated. You can specify a single send socket ID, the leading characters of a send socket ID with a wildcard character (an asterisk, \*), or a list of send socket IDs separated by commas. You can also specify \* by itself to terminate all send sockets on the specified IMS Connect to IMS Connect connection.

## Usage

Use the DELETE SENDCLNT command to terminate send sockets on an IMS Connect to IMS Connect connection that is used to send messages to a remote IMS system.

To identify the IDs of the send sockets that you need to terminate, use any one of the following IMS Connect commands:

- In the IMS type-2 command format, QUERY IMSCON TYPE(SENDCLNT)
- In the WTOR command format, VIEWRMT
- In the z/OS MODIFY command format, QUERY RMTIMSCON

For MSC links, use the DELETE SENDCLNT command only when a send client does not clean up properly during MSC logical link termination. Otherwise, issuing the DELETE SENDCLNT command breaks MSC links. Under normal circumstances, stop MSC links by issuing the IMS command /PSTOP LINK from IMS, which automatically terminates the associated send and receive sockets in IMS Connect.

An alternative method of terminating send sockets that are used for MSC messages is by using the IMS Connect WTOR command STOPLINK or the IMS Connect z/OS MODIFY command DELETE LINK. These commands terminate the send sockets and receive sockets used by the MSC link. The IMS type-2 command equivalent is UPDATE IMSCON TYPE(LINK).

If a send socket connection is in RECV state when the DELETE SENDCLNT command is issued, IMS Connect issues a NAK to OTMA and then terminates the send socket connection. OTMA reroutes the message to the dead letter queue, HWS\$DLQ.

## Equivalent IMS Connect type-2 and WTOR commands

The following table lists IMS Connect type-2 commands and IMS Connect WTOR commands that perform similar functions as the DELETE SENDCLNT command.



DELETE SENDCLNT command	Equivalent IMS Connect type-2 command	Equivalent WTOR command
DELETE RMTIMSCON NAME( <i>rmtimsconname</i> ) SENDCLNT( <i>clientid</i> )	UPDATE IMSCON TYPE(SENDCLNT) NAME( <i>sendclient_name</i> ) RMTIMSCON( <i>rmtimscon_name</i> ) STOP(COMM)	STOPSCLN <i>rmtimscon sendclient</i>

## Examples

In the following example, the DELETE SENDCLNT command terminates the send socket OTM11111 on connection CONNECT2:

```
F ICON1,DELETE RMTIMSCON NAME(CONNECT2) SENDCLNT(OTM11111)
```

Command output:

```
HWST3525I THE SEND CLIENT OTM11111 TERMINATED FOR REMOTE IMS CONNECT CONNECT2; M=TCVC
```

**Related reference:**

“STOPSCLN command” on page 555

“VIEWRMT command” on page 600

“IMS Connect QUERY RMTIMSCON command” on page 655

[➔](#) UPDATE IMSCON TYPE(SENDCLNT) command (Commands)

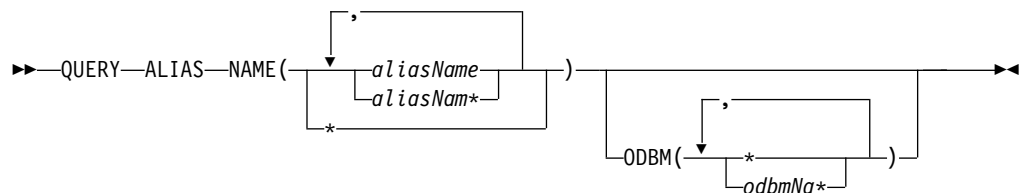
## IMS Connect QUERY ALIAS command

Use the QUERY ALIAS command to display the requested IMS alias. The QUERY ALIAS command performs similar functions as the VIEWIA command.

Subsections:

- “Syntax”
- “Keywords”
- “Equivalent IMS Connect type-2 and WTOR commands” on page 614
- “Examples” on page 614

### Syntax



### Keywords

QUERY or QRY is used to display the status or attributes of a specified resource. ALIAS is an IMS Connect managed specified resource. The command QUERY ALIAS is used to display the current status of the requested alias.

**NAME ( )**

Specifies the name of the alias to be displayed. You can specify a single alias, a

wildcard name, or a list of aliases separated by commas. You can specify NAME(\*) for the command to be processed for all aliases.

***aliasName***

Specifies the alias to be displayed.

**ODBM( )**

Specifies the ODBM name with which the named alias is associated.

**Equivalent IMS Connect type-2 and WTOR commands**

The following table lists IMS Connect type-2 commands and IMS Connect WTOR commands that perform similar functions as the QUERY ALIAS command.

QUERY ALIAS command	Equivalent IMS Connect type-2 command	Equivalent WTOR command
QUERY ALIAS NAME(*)	QUERY IMSCON TYPE(ALIAS) NAME(*) SHOW(ALL   <i>show_parm</i> )	VIEWIA ALL
QUERY ALIAS NAME( <i>aliasName</i> )	QUERY IMSCON TYPE(ALIAS) NAME( <i>alias_name</i> ) SHOW(ALL   <i>show_parm</i> )	VIEWIA <i>alias_name</i>
QUERY ALIAS NAME( <i>aliasName</i> ) ODBM( <i>odbmName</i> )	QUERY IMSCON TYPE(ALIAS) NAME( <i>alias_name</i> ) ODBM( <i>odbm_name</i> )	VIEWIA <i>alias_name</i> <i>odbm_name</i>

**Examples**

Command input:

```
F HWS1,QRY ALIAS NAME(ALI1)
```

Command output:

```
HWSC0001I ALIAS=IMS1 ODBM=ODBM10D STATUS=ACTIVE
```

Explanation: The alias IMS1 associated with ODBM ODBM10D is active.

**Related reference:**

“VIEWIA command” on page 586

 [QUERY IMSCON TYPE\(ALIAS\) command \(Commands\)](#)

---

**IMS Connect QUERY DATASTORE command**

Use the QUERY DATASTORE command to display the data store status.

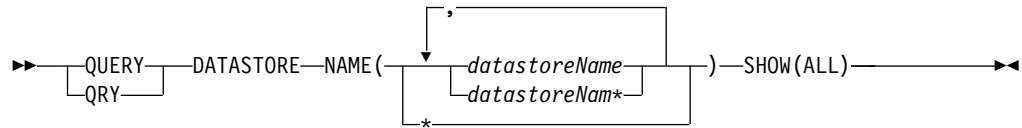
QUERY or QRY is used to query the status or attributes of a specified resource. For example, the specified resource is DATASTORE which is an IMS Connect managed resource.

The data store resource type refers to the destination that is accessing IMS OTMA. With the data store resource type, IMS Connect can communicate with IMS through IMS OTMA. If a data store name is used, this name must match the ID parameter of a DATASTORE configuration statement of the HWSCFGxx configuration member and only the information for this data store is displayed or updated. QUERY DATASTORE performs similar functions as the VIEWDS command.

Subsections:

- “Syntax”
- “Keywords”
- “Equivalent IMS Connect type-2 and WTOR commands”
- “Output fields”
- “Examples” on page 618

## Syntax



## Keywords

### NAME (*datastoreName*)

Specifies the data store name to be displayed. You can specify a single data store name, a wildcard name, or a list of data store names separated by commas. You can specify name(\*) for the command to be processed for all data stores.

### SHOW( )

Specifies the output fields to be returned.

### ALL

Returns all output fields. This is the default.

## Equivalent IMS Connect type-2 and WTOR commands

The following table lists IMS Connect type-2 commands and IMS Connect WTOR commands that perform similar functions as the QUERY DATASTORE command.

QUERY DATASTORE command	Equivalent IMS Connect type-2 command	Equivalent WTOR command
QUERY DATASTORE NAME(*) SHOW(ALL)	QUERY IMSCON TYPE(DATASTORE) NAME(*) SHOW(ALL   <i>show_parm</i> )	VIEWDS ALL
QUERY DATASTORE NAME( <i>datastore_name</i> )	QUERY IMSCON TYPE(DATASTORE) NAME( <i>datastore_name</i> ) SHOW(ALL   <i>show_parm</i> )	VIEWDS <i>datastore_name</i>

## Output fields

The following list shows the output fields of the QUERY DATASTORE command.

### DATASTORE=

Name of the data store, as defined in the ID substatement of the DATASTORE configuration statement in the HWSCFGxx configuration member, or No active Datastores. The data store is an IMS system or, more precisely, a connection to an IMS system.

### STATUS

State of the data store: ACTIVE, NOT ACTIVE or DISCONNECT.

If the data store goes down, IMS Connect is notified (from IMS OTMA through z/OS cross-system coupling facility (XCF)) of the status of the data store. When the data store is brought back up and restarted, IMS Connect is notified and automatically reconnects to the data store.

**GROUP**

XCF group name for the group to which the IMS Connect and IMS OTMA belong.

**MEMBER**

IMS Connect member name in the XCF group listed.

**TARGET MEMBER**

IMS OTMA member name in the XCF group listed.

**STATE**

Indicates the state of the OTMA server. The STATE value can have one of the following values:

**AVAIL**

Indicates that the OTMA server is available.

**WARN**

Indicates that the OTMA server has one or more resources in warning state.

**SEVERE**

Indicates that the OTMA server is experiencing some severe resource issues.

**N/A**

Indicates that OTMA has not reported status for this data store.

**DEFAULT REROUTE NAME**

The name of an alternative destination specified in a client reroute request.

**RACF APPL NAME**

The RACF APPL name for PassTicket and data store access control.

**MULTIRTP**

Shows the current specification of the MULTIRTP parameter in the DATASTORE statement for the currently displayed DATASTORE connection. Possible values are:

**Y**

The client bid requests for this DATASTORE connection request a TPIPE that supports multiple active resume TPIPE requests.

**N**

The client bid requests for this DATASTORE connection request a TPIPE that supports only a single active resume TPIPE request.

**#**

The client bid requests for this DATASTORE connection do not contain a MULTIRTP specification. OTMA determines whether the TPIPEs for this DATASTORE connection support multiple active resume TPIPE requests.

**b**

A MULTIRTP value is not specified in the DATASTORE statement. TPIPE support for multiple resume tpipe

requests is determined by either the MULTIRTP specification in the HWS statement or in the OTMA client descriptor.

#### **CASCADE**

Shows the specification in the data store definition for support for cascading global RRS transactions to IMS TM data stores that are located on different LPARs than IMS Connect.

This specification was set either by the CASCADE= parameter of the DATASTORE= statement in the HWSCFGxx member of the IMS PROCLIB data set or by the SET(CASCADE()) keyword on type-2 command CREATE IMSCON TYPE(DATASTORE) or UPDATE IMSCON TYPE(DATASTORE).

The value shown here overrides the IMS Connect default value for CASCADE.

One of the following values is displayed:

**blank** A blank value indicates that cascaded transaction support was not specified for this data store. Support for this data store is determined by the IMS Connect default specification.

**Y** Indicates that when IMS Connect and the IMS data store are on different z/OS images (LPARs), this data store connection supports cascading global IMS TM transactions.

**N** Indicates that by default, this data store connection does not support cascading global IMS TM transactions.

#### **OTMA ACEE AGING VALUE**

The current OTMA accessor environment element (ACEE) aging value specified in the IMS Connect DATASTORE configuration statement. The OTMA ACEE aging value determines how frequently OTMA refreshes the security definitions that are cached in an ACEE for IMS Connect.

#### **OTMA ACK TIMEOUT VALUE**

The OTMA ACK timeout value in the IMS Connect configuration member.

#### **OTMA MAX INPUT MESSAGE**

The OTMA input message flood control value in the IMS Connect configuration file.

#### **SUPER MEMBER NAME**

The name of the OTMA super member to which this data store belongs.

#### **IMSPLEX=**

Name of the IMSplex as defined in the TMEMBER parameter of the IMSplex statement in the IMS Connect configuration member HWSCFGxx.

#### **STATUS**

The state of the IMSplex.

#### **MEMBER**

IMS Connect member name as defined in the IMS Connect configuration file IMSplex statement for MEMBER= parameter.

## TARGET

IMS Connect target member name as defined in the IMS Connect configuration file IMSplex statement for TMEMBER= parameter.

## ODBM=

Identifies an instance of Open Database Manager (ODBM) present in the IMSplex.

## STATUS

Shows whether this instance of IMS Connect is registered with the identified instance of ODBM. STATUS can have one of the following values:

- REGISTERED - IMS Connect is registered with the identified instance of ODBM.
- NOT ACTIVE - The identified instance of ODBM is not available.

## ODBMRRS

Indicates the RRS specification in an ODBM. When IMS Connect registers with ODBM, ODBM provides IMS Connect with its RRS setting in addition to the aliases.

## ALIAS

The alias name of an IMS data store defined to the instance of ODBM identified in the preceding ODBM output field.

## STATUS

Shows whether the IMS system associated with the preceding alias name is active or inactive. The status can have one of the following values:

- ACTIVE - IMS Connect can route messages to the identified alias.
- NOT ACTIVE - IMS Connect cannot route messages to the identified alias.

## Examples

### *Example 1 for QUERY DATASTORE command*

Command input:

```
F HWS1, QRY DATASTORE NAME(*) SHOW(ALL)
```

Command output:

```
HWSC0001I  DATASTORE=IMS1      STATUS=ACTIVE
HWSC0001I  GROUP=XCFGRP1  MEMBER=HWS1
HWSC0001I  TARGET MEMBER=IMS1      STATE=AVAIL
HWSC0001I  DEFAULT REROUTE NAME=CFG$DEF
HWSC0001I  RACF APPL NAME=APPLID1  MULTIRTP=Y  CASCADE=Y
HWSC0001I  OTMA ACEE AGING VALUE=2147483647
HWSC0001I  OTMA ACK TIMEOUT VALUE=120
HWSC0001I  OTMA MAX INPUT MESSAGE=5000
HWSC0001I  SUPER MEMBER NAME=SM01  CM0 ACK TOQ=
HWSC0001I  ODBM=ODBMAOD  STATUS=REGISTERED  ODBMRRS=Y
HWSC0001I  ALIAS=IMS1  STATUS=ACTIVE, TRACE
HWSC0001I  ALIAS=IMS2  STATUS=NOT ACTIVE(IMSCON)
HWSC0001I  ODBM=ODBMBOB  STATUS=REGISTERED  ODBMRRS=N
HWSC0001I  ALIAS=IMS1  STATUS=ACTIVE
HWSC0001I  ALIAS=IMS2  STATUS=ACTIVE
HWSC0001I  ODBM=ODBMCOB  STATUS=NOT ACTIVE
HWSC0001I  ODBM=ODBMDOB  STATUS=NOT ACTIVE
```

Explanation: The status of all the data stores defined to IMS Connect is displayed.

### Example 2 for QUERY DATASTORE command

Command input:

```
F HWS1, QRY DATASTORE NAME(IMS1) SHOW(ALL)
```

Command output:

```
HWSC0001I DATASTORE=IMS1      STATUS=ACTIVE
HWSC0001I GROUP=XCFGRP1  MEMBER=HWS1
HWSC0001I TARGET MEMBER=IMS1      STATE=AVAIL
HWSC0001I DEFAULT REROUTE NAME=CFG$DEF
HWSC0001I RACF APPL NAME=APPLID1      MULTIRTP=Y  CASCADE=Y
HWSC0001I OTMA ACEE AGING VALUE=2147483647
HWSC0001I OTMA ACK TIMEOUT VALUE=120
HWSC0001I OTMA MAX INPUT MESSAGE=5000
HWSC0001I SUPER MEMBER NAME=SM01  CM0 ACK TOQ=
```

Explanation: The status of a single IMS Connect data store, IMS1, is displayed.

#### Related reference:

“VIEWWDS command” on page 557

 [QUERY IMSCON TYPE\(DATASTORE\) command \(Commands\)](#)

---

## IMS Connect QUERY IMSPLEX command

Use the QUERY IMSPLEX command to display the IMSplex status.

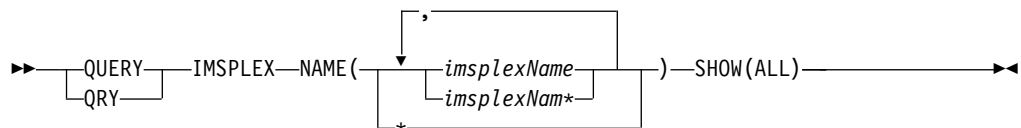
QUERY or QRY is used to query the status or attributes of a specified resource. For example, the specified resource is IMSplex, which is an IMS Connect managed resource.

The IMSplex resource type refers to the name of the SCI to which IMS Connect communicates. If an IMSplex name is used, this name must match the TMEMBER parameter of an IMSPLEX configuration statement of the HWSCFGxx configuration file, and only the information for this IMSplex is displayed or updated. QUERY IMSPLEX performs similar functions as the VIEWWIP command.

Subsections:

- “Syntax”
- “Keywords” on page 620
- “Equivalent IMS Connect type-2 and WTOR commands” on page 620
- “Output fields” on page 620
- “Examples” on page 620

### Syntax



## Keywords

### NAME(*imsplexName*)

Specifies the IMSplex name to be displayed. You can specify a single IMSplex name, a wildcard name, or a list of IMSplex names separated by commas. You can specify NAME(\*) for the command to be processed for all IMSplexes.

### SHOW( )

Specifies the output fields to be returned.

### ALL

Returns all output fields. This is the default.

## Equivalent IMS Connect type-2 and WTOR commands

The following table lists IMS Connect type-2 commands and IMS Connect WTOR commands that perform similar functions as the QUERY IMSPLEX command.

QUERY IMSPLEX command	Equivalent IMS Connect type-2 command	Equivalent WTOR command
QUERY IMSPLEX NAME(*) SHOW(ALL)	QUERY IMSCON TYPE(IMSPLEX) NAME(*) SHOW(ALL   <i>show_parm</i> )	VIEWIP ALL
QUERY IMSPLEX NAME( <i>imsplexName</i> ) SHOW(ALL)	QUERY IMSCON TYPE(IMSPLEX) NAME( <i>IMSplex_name</i> ) SHOW(ALL   <i>show_parm</i> )	VIEWIP <i>IMSplex_name</i>

## Output fields

The following list shows the output fields of the QUERY IMSPLEX command.

### IMSPLEX=

Name of the IMSplex as defined in the TMEMBER parameter of the IMSplex statement in the IMS Connect configuration member HWSCFGxx.

### STATUS

The state of the IMSplex.

### MEMBER

IMS Connect member name as defined in the IMS Connect configuration file IMSplex statement for MEMBER= parameter.

### TARGET

IMS Connect target member name as defined in the IMS Connect configuration file IMSplex statement for TMEMBER= parameter.

## Examples

### Example 1 for QUERY IMSPLEX command

Command input:

```
F HWS1, QRY IMSPLEX NAME(PLEX1) SHOW(ALL)
```

Command output:

```
HWSC0001I    IMSPLEX=PLEX1    STATUS=ACTIVE
HWSC0001I    MEMBER=HWS1     TARGET=PLEX1
```

Explanation: The status of the IMS Connect IMSplex, PLEX1, is displayed.

**Related reference:**



“VIEWWIP command” on page 589

➡ QUERY IMSCON TYPE(IMSPLEX) command (Commands)

---

## IMS Connect QUERY MEMBER command

This command is used to display the status of IMS Connect. QUERY MEMBER performs similar functions as the VIEWHWS command.

Subsections:

- “Syntax”
- “Keywords”
- “Equivalent IMS Connect type-2 and WTOR commands”
- “Output fields” on page 622
- “Example 1: QUERY MEMBER” on page 637

### Syntax

```
➡—QUERY—MEMBER—TYPE (IMSCON) — [SHOW (ALL) — ] —————➡  
                                [SHOW (SUMMARY) — ]
```

### Keywords

QUERY or QRY is used to query the status or attributes of a specified resource and MEMBER is an IMS Connect managed specified resource. The QUERY MEMBER command is used to display the status of IMS Connect.

#### TYPE ( )

Specifies the target type for action.

##### IMSCON

Specifies that IMS Connect is the target type.

#### SHOW ( )

Specifies the target type to be returned.

##### ALL

Returns all output fields. This is the default.

##### SUMMARY

Excludes detailed client information.

### Usage notes

There are two commands named QUERY MEMBER. QUERY MEMBER TYPE(IMS) is a type-2 command that gets information about IMS members from TSO SPOC or the OM API. QUERY MEMBER TYPE(IMSCON) is a z/OS modify command that gets information about IMS Connect members. See QUERY MEMBER command (Commands) for more information.

### Equivalent IMS Connect type-2 and WTOR commands

The following table lists IMS Connect type-2 commands and IMS Connect WTOR commands that perform similar functions as the QUERY MEMBER command.

QUERY MEMBER command	Equivalent IMS Connect type-2 command	Equivalent WTOR command
QUERY MEMBER TYPE(IMSCON) SHOW(ALL)	QUERY IMSCON TYPE(CONFIG) SHOW(ALL   <i>show_parm</i> )	VIEWHWS

## Output fields

The following list shows the output fields of the QUERY MEMBER command.

### HWS ID=

Name of the IMS Connect, as defined in the ID substatement of the HWS configuration statement in the HWSCFGxx configuration member.

**RACF** Indicates whether RACF support is currently enabled for the instance of IMS Connect identified in the HWS ID= field.

### UIDCACHE

Indicates whether the RACF user ID cache is enabled for the instance of IMS Connect identified in the HWS ID= field.

### UIDAGE

The length of time in seconds that a RACF user ID is used before IMS Connect refreshes it.

### PSWDMC

Indicates whether mixed-case password support is currently enabled for the instance of IMS Connect identified in the HWS ID= field. "R" indicates that the IMS Connect support for mixed-case passwords depends on the mixed-case password specification in RACF.

### MAXSOC

The maximum total number of sockets that this instance of IMS Connect can open. The maximum number of physical connections that can be made is the MAXSOC= value less the number of ports, because IMS Connect uses one socket on each port for listening.

### TCPIPQ

The maximum number of queued requests that IMS Connect can maintain without assigned sockets.

### TIMEOUT

The interval of time IMS Connect waits before disconnecting a client application program after either waiting for a response for the client from IMS or waiting for data from the client after the client opens a socket connection.

### NUMSOC

The sum of all active sockets on all defined ports, RMTIMSCON connections, and RMTICICS connections.

### WARNSOC

A decimal value between 1 and 50 that indicates the warning level as a percentage of the max sockets limit (MAXSOC= value in the TCPIP configuration statement). When the number of sockets increases to this warning level, IMS Connect issues an HWSS0772W message.

## WARNING

A decimal value between 1 and 50 that indicates the warning incremental percentage. After the warning level (WARNSOC value in the TCPIP configuration statement) is reached, each time the number of sockets increases by the warning incremental percentage, IMS Connect issues an HWSS0772W message again.

**RRS** Shows if RRS is set to Y or N in the HWS configuration file.

## STATUS

State of RRS. The RRS state can be one of the following:

- ACTIVE - IMS Connect restart with RRS is complete.
- NOT ACTIVE - IMS Connect is not registered with RRS.
- REGISTERED - IMS Connect is registered with RRS.

## MULTIRTP

Shows the current specification of the MULTIRTP parameter in the HWS statement. Possible values are:

**Y** MULTIRTP=Y is the default value for all DATASTORE connections from this IMS Connect instance. Unless this value is overridden by the MULTIRTP parameter in the DATASTORE statement, the client bid requests for DATASTORE connections made from this IMS Connect instance will request TPIPEs that support multiple active resume TPIPE requests.

**N** MULTIRTP=N is the default value for all DATASTORE connections from this IMS Connect instance. Unless this value is overridden by the MULTIRTP parameter in the DATASTORE statement, the client bid requests for DATASTORE connections made from this IMS Connect instance will request TPIPEs that support only a single active resume TPIPE request.

**b** A MULTIRTP value is not specified in the HWS statement. TPIPE support for multiple resume tpipe requests is determined by either the MULTIRTP specification in the DATASTORE statement or in the OTMA client descriptor.

## CASCADE

Shows the IMS Connect default specification for support for cascading global RRS transactions to IMS TM data stores that are located on different LPARs than IMS Connect. This specification was set either by the CASCADE= parameter of the HWS= statement in the HWSCFGxx member of the IMS PROCLIB data set or by the type-2 UPDATE IMSCON TYPE(CONFIG) SET(CASCADE()) command.

The value shown here can be overridden in the definition of an individual data store connection.

One of the following values is displayed:

**Y** Indicates that when IMS Connect and the IMS data store are on different z/OS images (LPARs), IMS Connect enables cascaded transaction support for all data store connections that do not have a different CASCADE value in their definitions.

| N Indicates that by default, cascaded transaction support is  
| disabled for data store connections that do not have a  
| different CASCADE value in their definitions.

**VERSION**

The version of this instance of IMS Connect.

**IP-ADDRESS**

The IP address for this instance of IMS Connect. Client application programs use this IP address to connect to IMS Connect.

**SUPER MEMBER NAME**

1-4 character OTMA super member name.

**ADAPTER**

Shows whether XML adapter support is enabled or disabled.

**MAXCVRT**

The maximum number of XML converters that this instance of IMS Connect can load concurrently. The actual number of converters that IMS Connect can load depends on the size of the converters and the IMS Connect region size.

**NUMCVRT**

The current number of XML converters loaded in this instance of IMS Connect.

**MAXLSSZ**

Displays the maximum language structure segment size that is passed to the XML converter.

**ODBM AUTO CONNECTION**

Indicates whether the instance of IMS Connect identified in the ID field is configured to automatically connect to the instances of ODBM in the IMSplex in which IMS Connect is a member.

**ODBM TIMEOUT**

The time interval that IMS Connect waits before disconnecting a client application program that uses the Open Database architecture.

**ODBM IMSPLEX**

The names of IMS Connect and SCI that are used for communication with ODBM within an IMSplex.

**MEMBER**

The name of IMS Connect that SCI uses to manage communications between IMS Connect and ODBM.

**TARGET MEMBER**

The name of the SCI that manages the communication between IMS Connect and ODBM.

**DATASTORE=**

Name of the data store, as defined in the ID substatement of the DATASTORE configuration statement in the HWSCFGxx configuration member, or No active Datastores. The data store is an IMS system or, more precisely, a connection to an IMS system.

**STATUS**

State of the data store: ACTIVE, NOT ACTIVE or DISCONNECT.

If the data store goes down, IMS Connect is notified (from IMS OTMA through z/OS cross-system coupling facility (XCF)) of the

status of the data store. When the data store is brought back up and restarted, IMS Connect is notified and automatically reconnects to the data store.

**GROUP**

XCF group name for the group to which the IMS Connect and IMS OTMA belong.

**MEMBER**

IMS Connect member name in the XCF group listed.

**TARGET MEMBER**

IMS OTMA member name in the XCF group listed.

**STATE**

Indicates the state of the OTMA server. The STATE value can have one of the following values:

**AVAIL**

Indicates that the OTMA server is available.

**WARN**

Indicates that the OTMA server has one or more resources in warning state.

**SEVERE**

Indicates that the OTMA server is experiencing some severe resource issues.

**N/A**

Indicates that OTMA has not reported status for this data store.

**DEFAULT REROUTE NAME**

The name of an alternative destination specified in a client reroute request.

**RACF APPL NAME**

The RACF APPL name for PassTicket and data store access control.

**MULTIRTP**

Shows the current specification of the MULTIRTP parameter in the DATASTORE statement for the currently displayed DATASTORE connection. Possible values are:

**Y**

The client bid requests for this DATASTORE connection request a TPIPE that supports multiple active resume TPIPE requests.

**N**

The client bid requests for this DATASTORE connection request a TPIPE that supports only a single active resume TPIPE request.

**#**

The client bid requests for this DATASTORE connection do not contain a MULTIRTP specification. OTMA determines whether the TPIPEs for this DATASTORE connection support multiple active resume TPIPE requests.

**b**

A MULTIRTP value is not specified in the DATASTORE statement. TPIPE support for multiple resume tpipe requests is determined by either the MULTIRTP specification in the HWS statement or in the OTMA client descriptor.

## CASCADE

Shows the specification in the data store definition for support for cascading global RRS transactions to IMS TM data stores that are located on different LPARs than IMS Connect.

This specification was set either by the CASCADE= parameter of the DATASTORE= statement in the HWSCFGxx member of the IMS PROCLIB data set or by the SET(CASCADE()) keyword on type-2 command CREATE IMSCON TYPE(DATASTORE) or UPDATE IMSCON TYPE(DATASTORE).

The value shown here overrides the IMS Connect default value for CASCADE.

One of the following values is displayed:

- blank** A blank value indicates that cascaded transaction support was not specified for this data store. Support for this data store is determined by the IMS Connect default specification.
- Y** Indicates that when IMS Connect and the IMS data store are on different z/OS images (LPARs), this data store connection supports cascading global IMS TM transactions.
- N** Indicates that by default, this data store connection does not support cascading global IMS TM transactions.

## OTMA ACEE AGING VALUE

The current OTMA accessor environment element (ACEE) aging value specified in the IMS Connect DATASTORE configuration statement. The OTMA ACEE aging value determines how frequently OTMA refreshes the security definitions that are cached in an ACEE for IMS Connect.

## OTMA ACK TIMEOUT VALUE

The OTMA ACK timeout value in the IMS Connect configuration member.

## OTMA MAX INPUT MESSAGE

The OTMA input message flood control value in the IMS Connect configuration file.

## SUPER MEMBER NAME

The name of the OTMA super member to which this data store belongs.

## IMSPLEX=

Name of the IMSplex as defined in the TMEMBER parameter of the IMSplex statement in the IMS Connect configuration member HWSCFGxx.

## STATUS

The state of the IMSplex.

## MEMBER

IMS Connect member name as defined in the IMS Connect configuration file IMSplex statement for MEMBER= parameter.

## TARGET

IMS Connect target member name as defined in the IMS Connect configuration file IMSplex statement for TMEMBER= parameter.

**ODBM=**

Identifies an instance of Open Database Manager (ODBM) present in the IMSplex.

**STATUS**

Shows whether this instance of IMS Connect is registered with the identified instance of ODBM. STATUS can have one of the following values:

- REGISTERED - IMS Connect is registered with the identified instance of ODBM.
- NOT ACTIVE - The identified instance of ODBM is not available.

**ODBMRRS**

Indicates the RRS specification in an ODBM. When IMS Connect registers with ODBM, ODBM provides IMS Connect with its RRS setting in addition to the aliases.

**ALIAS**

The alias name of an IMS data store defined to the instance of ODBM identified in the preceding ODBM output field.

**STATUS**

Shows whether the IMS system associated with the preceding alias name is active or inactive. The status can have one of the following values:

- ACTIVE - IMS Connect can route messages to the identified alias.
- NOT ACTIVE - IMS Connect cannot route messages to the identified alias.

**MSC=** Name of the displayed MSC physical link, as specified on the LCLPLKID parameter of the MSC statement in the IMS Connect configuration member. The following additional output fields describe the status, attributes, and logical links that belong to the physical link identified in the MSC= output field:

**STATUS**

The state of the MSC physical link displayed in the MSC output field. A physical link can be in the following states:

**ACTIVE**

The MSC physical link is enabled for communications between IMS Connect and the local IMS system.

**NOT ACTIVE**

The MSC physical link is disabled for communications between IMS Connect and the local IMS system.

**RMTPLKID**

The ID of the MSC physical link at the remote IMS site, as defined in the RMTPLKID parameter of the MSC statement in the IMS Connect configuration member.

**LCLIMSID**

The ID of the local MSC-enabled IMS system, as defined to IMS Connect on the LCLIMS parameter of the MSC statement in the IMS Connect configuration member. This LCLIMS value must match the IMS ID that the local IMS system registers with SCI in

the IMSplex. You can determine the IMS ID that is registered with SCI by issuing the QUERY IMSPLEX command in the local IMSplex.

If the second IMS ID is shown in the output, it identifies the other IMS system in an XRF couple.

#### **RMTIMSID**

The name of the remote MSC-enabled IMS system, as defined on the RMTIMS parameter of the MSC statement in the IMS Connect configuration member.

#### **GENIMSID**

The generic IMS ID that is being used for TCP/IP generic resources for MSC, as defined in the GENIMSID parameter of the MSC statement in the IMS Connect configuration member.

#### **AFFINITY**

The name of the IMS system with which the MSC logical link currently has affinity for TCP/IP generic resources.

#### **IMSPLEX**

Name of the IMSplex that manages communications between IMS Connect and the local, MSC-enabled IMS system. This name is the IMSplex name that is specified on the IMSPLEX parameter of MSC statement in the IMS Connect configuration member.

This IMSPLEX name must match the name specified on the IMSPLEX(NAME=) statement of the CSLSIxxx PROCLIB member of the SCI instance that is managing communications between IMS Connect and the IMSplex.

#### **MEMBER**

The name by which this IMS Connect is registered in the IMSplex, as defined on the MEMBER parameter in the IMSPLEX substatement of the MSC statement in the IMS Connect configuration member.

This MEMBER name must also be specified on the LCLICON parameter in the MSPLINK macro that defines this MSC physical link in the local IMS system.

#### **TARGET MEMBER**

Name of the IMSplex as defined in the TMEMBER subparameter of the IMSPLEX parameter of the MSC statement in the IMS Connect configuration member.

#### **RMTIMSCON**

The name of the IMS Connect connection that is used by this MSC physical link, as defined in the RMTIMSCON parameter of the MSC statement in the IMS Connect configuration member.

#### **IP-ADDRESS**

The IP address of the remote IMS Connect instance.

**PORT** The port number used by the remote IMS Connect instance.

#### **HOSTNAME**

The host name of the remote IMS Connect instance, if one is available.

**LINK** The ID of an MSC logical link that is assigned to this physical link.



The values returned for this output field are displayed in column format.

If no logical links are currently assigned to this physical link, this output field is not displayed.

#### **PARTNERID**

The ID of the remote partner for this logical link, as specified on the PARTNER parameter in the MSLINK macro that defines this logical link.

The values returned for this output field are displayed in column format.

If no logical links are currently assigned to this physical link, this output field is not displayed.

#### **STATUS**

The current state of this logical link. A logical link can have the following state:

##### **ACTIVE**

This logical link can send messages to the remote IMS Connect.

The values returned for this output field are displayed in column format.

If no logical links are currently assigned to this physical link, this output field is not displayed.

#### **SENDCLNT**

The send socket ID generated by this instance of IMS Connect to identify a send socket opened on this connection. The SENDCLNT ID is used as the client ID when establishing a socket connection with the remote IMS Connect instance.

The send socket IDs generated for sockets on connections that are used for OTMA begin with "OTM." The send socket IDs that are generated for sockets on connections that are used for MSC begin with "MSC."

The values returned for this output field are displayed in column format.

If no logical links are currently assigned to this physical link, this output field is not displayed.

#### **RECVCLNT**

The client ID that identifies the receive socket for this logical link. The client ID is generated by the remote IMS Connect instance.

The values returned for this output field are displayed in column format.

If no logical links are currently assigned to this physical link, this output field is not displayed.

**ISC=** ID of the ISC configuration statement in the IMS Connect configuration member that defines the ISC link to which the following output fields apply.

**STATUS**

Status of this ISC link. Possible values are:

**ACTIVE**

This ISC link is enabled for communications between IMS Connect and the local IMS system.

**NOT ACTIVE**

This ISC link is disabled for communications between IMS Connect and the local IMS system.

**NODE**

The name of this ISC node as defined to the local IMS.

**LCLIMSID**

Name of the local IMS as defined in the LCLIMS parameter of the ISC statement in the IMS Connect configuration member.

**IMSPLEX=**

Name of the IMSplex as defined in the IMSPLEX parameter of ISC statement in the IMS Connect configuration member. If IMSPLEX is not specified in the ISC statement, the name from the first IMSPLEX statement in the configuration is displayed.

**MEMBER=**

Name of the member as defined in the MEMBER subparameter of the IMSPLEX parameter of the ISC statement in the IMS Connect configuration member. This is the IMS Connect member name registered to the IMSplex.

**TARGET MEMBER=**

Name of the IMSplex as defined in the TMEMBER subparameter of the IMSPLEX parameter of the ISC statement in the IMS Connect configuration member.

**RMTCICS**

Name of the remote CICS connection that this ISC link is using. The value shown here is the value specified on the RMTCICS parameter of the ISC statement in the IMS Connect configuration member.

**IP-ADDRESS**

The IP address of this remote CICS.

**PORT** The port of this remote CICS.

**HOSTNAME**

The hostname of this remote CICS. This field is displayed if HOSTNAME parameter is specified in the RMTCICS statement.

**CICSAPPL**

The value specified on the APPLID= parameter of the DFHSIT macro definition in the remote CICS subsystem.

**CICSPORT**

The ID of the port that IMS Connect uses to receive messages from CICS on this ISC link. The CICSPORT is defined on the TCPIP configuration statement.

**CICSNETID**

The network ID of the remote CICS subsystem.

**ISCUSER STATUS RECVCLNT SENDCLNT**

If one or more ISC parallel sessions (ISCUSERS) are active on this ISC link, the command output contains information about each ISCUSER. The information for multiple ISCUSERS is displayed in a column format under a heading that identifies the information type. The information for each ISCUSER is displayed on its own row.

**ISCUSER**

Name of the ISC parallel session.

**STATUS**

Status of this ISCUSER.

**SENDCLNT**

Name of the client ID that IMS Connect uses to send messages to the remote CICS subsystem for this ISCUSER.

**RECVCLNT**

Name of the client ID of the remote CICS subsystem that this IMS Connect receives messages from for this ISCUSER.

**RMTCICS=**

Name of the remote CICS connection as defined in the ID parameter of the RMTCICS configuration statement in the IMS Connect configuration member.

**STATUS=**

State of the connection to the remote CICS subsystem that is identified in the RMTCICS field. Possible values include:

**ACTIVE**

This IMS Connect has at least one socket connection to the remote CICS subsystem identified in the RMTCICS field.

**NOT ACTIVE**

This IMS Connect does not have any socket connections to the remote CICS identified in the RMTCICS field.

**STOPPED**

Communications between this IMS Connect and the remote CICS subsystem is stopped. Any messages sent to the remote subsystem while the connection is stopped are rejected and an error message is returned to the sender.

**IP-ADDRESS**

The IP address of the remote CICS.

**PORT** The port number of the remote CICS that this IMS Connect instance communicates on.

**HOSTNAME**

The host name of the remote CICS or remote IMS Connect, if available.

**NUMSOC**

The number of sockets that are currently open.

**SENDCLNT ISCNAME STATUS SECOND SENDPORT**

If this instance of IMS Connect has one or more active connections

to this remote CICS subsystem, the command output includes information about each connection. The information for an active connection is displayed immediately under the heading that describes the value.

The headings are described in the next list of fields.

**SENDCLNT**

The client ID that this instance of IMS Connect used to connect to the remote CICS.

**ISCNAME**

Name of the ISC configuration statement in the IMS Connect configuration member.

**STATUS**

State of this remote IMS Connect connection. Possible values include:

**CONN**

This connection is in connect state. It can send messages to the remote CICS.

**RECV** This connection is in receive state. It is waiting to receive a response from the remote CICS.

**SECOND**

Number of seconds that this connection is in the specified state.

**SENDPORT**

The port that this instance of IMS Connect used to connect to the remote CICS.

**RMTIMSCON=**

Identifies a connection between this local IMS Connect instance and a remote instance of IMS Connect. The following additional output fields describe the status, attributes, and sockets that belong to the connection identified in the RMTIMSCON output field:

**STATUS**

The state of the connection displayed in the RMTIMSCON output field. A connection can be in the following states:

**ACTIVE**

This connection has at least one send socket open to a remote IMS Connect instance.

**NOT ACTIVE**

This connection does not have any send sockets open to a remote IMS Connect instance.

**RETRY CONN**

IMS Connect is attempting to automatically reconnect to the remote IMS Connect instance after a previous attempt to connect failed. If the current reconnection attempt fails, IMS Connect attempts to reconnect again every 2 minutes.

While a connection has a RETRY CONN status, the number of open sockets fluctuates. IMS Connect opens a socket when actively trying to reconnect. IMS Connect closes the socket during the 2-minute interval between reconnection attempts.

**STOPPED**

A STOPRMT command stopped communication on this connection. Any messages sent to this connection are rejected and an error is sent back to the sender.

**IP-ADDRESS**

The IP address of the IMS Connect instance at the remote end of this connection.

**PORT** The port number used by the remote IMS Connect instance for this connection.

**HOSTNAME**

The host name of the remote IMS Connect instance, if available.

**AUTOCONN**

Indicates whether IMS Connect automatically establishes send sockets for OTMA communications on this connection during IMS Connect startup. Possible values are:

- Y** Send sockets are automatically established on this connection when IMS Connect starts up. The number of sockets that IMS Connect establishes during startup is displayed in the RESVSOC output field
- N** No sockets are established on this connection during IMS Connect startup. For OTMA messages, send sockets are established upon receipt of a message from OTMA for delivery to the remote IMS system.

**PERSISTENT**

Indicates whether the sockets on this connection are persistent.

- Y** The sockets established on this connection are persistent.
- N** The sockets established on this connection are not persistent. After messages are sent on this connection, the sockets that they are sent on are closed.

**IDLETO**

The time interval that open sockets on this connection can remain idle before they are closed by IMS Connect.

**RESVSOC**

The number of send sockets that are reserved for use by this connection.

**NUMSOC**

The number of sockets that are currently open on this connection.

**SENDCLNT**

The randomly generated send socket ID. The local instance of IMS Connect uses the ID to uniquely identify the socket. The send socket ID is used as the client ID when establishing a socket connection with the remote IMS Connect instance.

The send socket IDs that are used for OTMA begin with "OTM."  
The send socket IDs that are used for MSC begin with "MSC."

The values returned for this output field are displayed in tabular format.

If no sockets are currently open on this connection, this output field is not displayed.

**LCLPLKID**

The ID of a local MSC physical link that is using this connection. This value is specified on the LCLPLKID parameter of the MSC statement in the IMS Connect configuration member. The LCLPLKID output field is displayed only for connections that are used for MSC communications.

The values returned for this output field are displayed in tabular format.

If no sockets are currently open on this connection, this output field is not displayed.

**USERID**

The user ID provided by the local IMS system for transaction authorization by the remote IMS system. The USERID output field is displayed only for connections that are used for OTMA communications.

If no sockets are currently open on this connection, this output field is not displayed.

The values returned for this output field are displayed in tabular format.

**STATUS**

The current state of this socket connection. A socket connection can have the following states:

**CONN**

This socket connection can send messages to the remote IMS Connect.

**RECV** This socket connection is waiting to receive a response from the remote IMS Connect.

The values returned for this output field are displayed in tabular format.

If no sockets are currently open on this connection, this output field is not displayed.

**SECOND**

The number of seconds that this connection has been in the state shown on the same row under the STATUS output field heading.

The values returned for this output field are displayed in tabular format.

If no sockets are currently open on this connection, this output field is not displayed.

**SENDPORT**

The local port used for this connection.

The values returned for this output field are displayed in tabular format.

If no sockets are currently open on this connection, this output field is not displayed.

**PORT=**

Identifies the port or ports to which the following output fields and

statuses apply. The port numbers are defined in the IMS Connect configuration member in the IMS.PROCLIB data set.

You can determine the type of a port by the port-type indicator that is appended to the end of the port number. IMS Connect uses the following port-type indicators:

**No type indicator**

Indicates a port that can be used for IMS TM OTMA clients and IMS-to-IMS MSC or OTMA communications. Ports that do not have a type indicator are defined on either the PORT keyword or the PORTID keyword of the TCPIP statement in the IMS Connect configuration member.

**C** Indicates an IBM CICS Transaction Server for z/OS port for ISC communications that is defined to IMS Connect on the CICSPORT parameter of the TCPIP and ISC statements. CICS ports are used exclusively by CICS subsystems that access IMS TM via an ISC TCP/IP link.

**D** Indicates a Distributed Relational Database Architecture (DRDA) port that is defined to IMS Connect on the DRDAPORT parameter. DRDA ports are used exclusively by client application programs that access IMS DB through the Open Database Manager (ODBM).

**S** Indicates an SSL port that is defined to IMS Connect on the SSLPORT parameter. SSL ports are used only when IMS Connect support for SSL is enabled.

The following output fields apply to the port identified in the preceding PORT output field.

**STATUS**

State of the port, whether ACTIVE or INACTIVE.

**KEEPAV**

The amount of time a connection remains idle before the z/OS TCP/IP layer sends a packet to maintain the connection.

**NUMSOC**

The number of sockets used on each port.

**TIMEOUT**

The amount of time IMS Connect waits before terminating a client connection if no messages are received from the client.

**CLIENTID ISCNAM STATUS SECOND CLNTPORT IP-ADDRESS**

or

**CLIENTID LCLPLKID STATUS SECOND CLNTPORT IP-ADDRESS**

or

**CLIENTID USERID TRANCOD DATASTORE STATUS SECOND CLNTPORT IP-ADDRESS APSB-TOKEN**

The ID and information for an active client on a receive socket.

The information for each active client is displayed on a single row. Clients are grouped together by client type under a row of headings that identify the information that is returned for that client type.

For ISC clients, the following information is displayed: CLIENTID ISCNAM STATUS SECOND CLNTPORT IP-ADDRESS.

For MSC clients, the following information is displayed: CLIENTID LCLPLKID STATUS SECOND CLNTPORT IP-ADDRESS.

For OTMA and ODBM clients, the following information is displayed: CLIENTID USERID TRANCODE DATASTORE STATUS SECOND CLNTPORT IP-ADDRESS APSB-TOKEN.

The following example shows the information returned for three OTMA clients:

```

HWSC0001I PORT=9999 STATUS=ACTIVE KEEPAV=0 NUMSOC=4 EDIT= TIMEOUT=0
HWSC0001I CLIENTID USERID TRANCODE DATASTORE STATUS SECOND CLNTPORT IP-ADDRESS APSB-TOKEN
HWSC0001I CLIENT63 USRT003 apo112 IMSY RECV WFCM 55 4118 192.0.2.0
HWSC0001I CLIENT62 USRT002 IMS1 CONN 210 4115 192.0.2.0
HWSC0001I CLIENT61 USRT001 apo112 IMSN RECV 13 4112 192.0.2.0
HWSC0001I TOTAL CLIENTS=3 RECV=2 CONN=1 XMIT=0 OTHER=0

```

If a port has no active clients on it, these output fields are not displayed. Instead, the command output displays NO ACTIVE CLIENTS after the row that identifies the port.

The information returned for active clients includes, in alphabetical order:

#### **APSB-TOKEN**

Open Database Manager (ODBM) APSB token.

#### **CLIENTID**

The name of the client.

For connections from other IMS Connect instances, the other IMS Connect instance generates this value.

#### **CLNTPORT**

A random number that TCP/IP generates to represent a connection from a client.

#### **DATASTORE**

The data store associated with this client.

The IP address of the client for this connection.

If IPV6 is enabled, the IP address format consists of eight hexadecimal numbers divided by colons. If IPV6 is not enabled, the IP address format of IPV4 is used. The following example is for an IPV6 IP address that is displayed in IPV6 format:

```
FEDC:ABCD:2222:3333:FEDC:DB55:6666:3322
```

The following example is for an IPV4 IP address that is displayed in IPV6 format:

```
0:0:0:0:0:FFFF:945:33FF
```

#### **ISCNAME**

The name of the ISC statement in the IMS Connect configuration member.

#### **LCLPLKID**

The MSC physical link in the local IMS system to which IMS Connect routes the messages from the client. This field exists only for MSC communications.

#### **SECOND**

Number of seconds that the client has been in the specified status.



## STATUS

State of the thread of the client. The client thread state can be one of the following values:

**RECV** In a receive state waiting for input from client.

**READ** In a partial read state. IMS Connect is reading a message from the client but has not yet received the entire length of the message.

**CONN**

Waiting for output from IMS.

**XMIT** Sending data to client.

**CONV**

In a conversational state.

**WFCM**

Waiting for confirmation (ACK, NAK, or DEALLOCATE) from client.

## TRANCODE

The transaction code submitted by the client.

## USERID

The USERID name passed to IMS Connect.

## Example 1: QUERY MEMBER

The following command queries the status of IMS Connect.

Command input:

```
F HWS1,QRY MEMBER TYPE(IMSICON)
```

Command output:

```
HWSC0001I HWS ID=HWS1 RACF=N PSWDMC=N
HWSC0001I UIDCACHE=Y UIDAGE=2147483647
HWSC0001I MAXSOC=2000 TIMEOUT=5000 TCPIPQ=50
HWSC0001I NUMSOC=7 WARNSOC=80% WARNINC=5%
HWSC0001I RRS=Y STATUS=REGISTERED MULTIRTP= CASCADE=N
HWSC0001I VERSION=V14 IP-ADDRESS=127.0.0.1
HWSC0001I SUPER MEMBER NAME=SM01 CM0 ACK TOQ=

HWSC0001I ADAPTER=N MAXCVRT=100 NUMCVRT=0
HWSC0001I MAXLSSSZ=32767
HWSC0001I ODBM AUTO CONNECTION=Y
HWSC0001I ODBM TIMEOUT=18000
HWSC0001I ODBM IMSPLEX MEMBER=IMSPLEX1 TARGET MEMBER=PLEX1
HWSC0001I DATASTORE=IMS1 STATUS=ACTIVE
HWSC0001I GROUP=XCFGRP1 MEMBER=HWS1
HWSC0001I TARGET MEMBER=IMS1 STATE=AVAIL
HWSC0001I DEFAULT REROUTE NAME=CFG$DEF
HWSC0001I RACF APPL NAME=APPLID1 MULTIRTP= CASCADE=Y
HWSC0001I OTMA ACEE AGING VALUE=2147483647
HWSC0001I OTMA ACK TIMEOUT VALUE=120
HWSC0001I OTMA MAX INPUT MESSAGE=5000
HWSC0001I SUPER MEMBER NAME=SM01 CM0 ACK TOQ=
HWSC0001I STATUS=ACTIVE
HWSC0001I MEMBER=IMSPLEX1 TARGET=PLEX1
HWSC0001I ODBM=ODBMAOD STATUS=REGISTERED ODBMRRS=Y
HWSC0001I ALIAS=IMS1 STATUS=ACTIVE, TRACE
HWSC0001I ALIAS=IMS2 STATUS=NOT ACTIVE
HWSC0001I ODBM=ODBMBOD STATUS=REGISTERED ODBMRRS=N
HWSC0001I ALIAS=IMS1 STATUS=ACTIVE
HWSC0001I ALIAS=IMS2 STATUS=ACTIVE
HWSC0001I ODBM=ODBMCOD STATUS=NOT ACTIVE
HWSC0001I ODBM=ODBMDOD STATUS=NOT ACTIVE
HWSC0001I PORT=9999 STATUS=ACTIVE KEEPAV=0 NUMSOC=4 EDIT= TIMEOUT=0
HWSC0001I CLIENTID USERID TRANCODE DATASTORE STATUS SECOND CLNTPORT IP-ADDRESS APSB-TOKEN
HWSC0001I CLIENT63 USRT003 apo112 IMSY RECV WFCM 55 4118 192.0.2.0
HWSC0001I CLIENT62 USRT002 IMS1 CONN 210 4115 192.0.2.0
HWSC0001I CLIENT61 USRT001 apo112 IMSN RECV 13 4112 192.0.2.0
```

```

HWSC0001I  TOTAL CLIENTS=3  RECV=2  CONN=1  XMIT=0  OTHER=0
HWSC0001I  PORT=LOCAL  STATUS=ACTIVE  KEEPAV=0  NUMSOC=0  EDIT=  TIMEOUT=0
HWSC0001I  NO ACTIVE CLIENTS
HWSC0001I  PORT=9998S  STATUS=NOT ACTIVE  KEEPAV=0  NUMSOC=1  EDIT=  TIMEOUT=0
HWSC0001I  PORT=1111D  STATUS=ACTIVE  KEEPAV=5  NUMSOC=1  EDIT=  TIMEOUT=6000
HWSC0001I  NO ACTIVE CLIENTS
HWSC0001I  PORT=2222D  STATUS=ACTIVE  KEEPAV=0  NUMSOC=1  EDIT=  TIMEOUT=100
HWSC0001I  NO ACTIVE CLIENTS

```

Explanation: The status of IMS Connect is displayed. The status of each data store and port number is listed.

## Example 2: SHOW(SUMMARY)

The following command produces the same output as the QUERY MEMBER command without the SHOW(SUMMARY) option except for the PORT= sections, which give only the total counts for the ports, eliminating individual client displays.

Command input:

```
F HWS1, QRY MEMBER TYPE(IMSCON) SHOW(SUMMARY)
```

Command output:

```

HWSC0001I HWS ID=HWS1  RACF=N  PSWDMC=N
HWSC0001I  UIDCACHE=Y  UIDAGE=2147483647
HWSC0001I  MAXSOC=50  TIMEOUT=5000  TCP/IPQ=50
HWSC0001I  NUMSOC=7  WARNSOC=80%  WARNINC=5%
HWSC0001I  RRS=Y  STATUS=REGISTERED  MULTIRTP=  CASCADE=Y
HWSC0001I  VERSION=V14  IP-ADDRESS=127.0.0.1
HWSC0001I  SUPER MEMBER NAME=SM01  CM0 ACK TOQ=

HWSC0001I  ADAPTER=N  MAXCVRT=100  NUMCVRT=0
HWSC0001I  MAXLSSSZ=32767
HWSC0001I  ODBM AUTO CONNECTION=Y
HWSC0001I  ODBM TIMEOUT=18000
HWSC0001I  ODBM IMSPLEX MEMBER=IMSPLEX1  TARGET MEMBER=PLEX1
HWSC0001I  DATASTORE=IMS1  STATUS=ACTIVE
HWSC0001I  GROUP=XCFGRP1  MEMBER=HWS1
HWSC0001I  TARGET MEMBER=IMS1  STATE=AVAIL
HWSC0001I  DEFAULT REROUTE NAME=CFG$DEF
HWSC0001I  RACF APPL NAME=APPLID1  MULTIRTP=  CASCADE=
HWSC0001I  OTMA ACEE AGING VALUE=2147483647
HWSC0001I  OTMA ACK TIMEOUT VALUE=120
HWSC0001I  OTMA MAX INPUT MESSAGE=5000
HWSC0001I  SUPER MEMBER NAME=SM01  CM0 ACK TOQ=
HWSC0001I  IMSPLEX=PLEX1  STATUS=ACTIVE
HWSC0001I  MEMBER=IMSPLEX1  TARGET=PLEX1
HWSC0001I  ODBM=ODBMAOD  STATUS=REGISTERED  ODBMRRS=Y
HWSC0001I  ALIAS=IMS1  STATUS=ACTIVE, TRACE
HWSC0001I  ALIAS=IMS2  STATUS=NOT ACTIVE (IMSCON, ODBM)
HWSC0001I  ODBM=ODBMBOD  STATUS=REGISTERED  ODBMRRS=N
HWSC0001I  ALIAS=IMS1  STATUS=ACTIVE
HWSC0001I  ALIAS=IMS2  STATUS=ACTIVE
HWSC0001I  ODBM=ODBMCOD  STATUS=NOT ACTIVE
HWSC0001I  ODBM=ODBMDOD  STATUS=NOT ACTIVE
HWSC0001I  PORT=9999  STATUS=ACTIVE  KEEPAV=0  NUMSOC=4  EDIT=  TIMEOUT=0
HWSC0001I  TOTAL CLIENTS=3  RECV=2  CONN=1  XMIT=0  OTHER=0
HWSC0001I  PORT=LOCAL  STATUS=ACTIVE  KEEPAV=0  NUMSOC=0  EDIT=  TIMEOUT=0
HWSC0001I  NO ACTIVE CLIENTS
HWSC0001I  PORT=9998S  STATUS=NOT ACTIVE  KEEPAV=0  NUMSOC=1  EDIT=  TIMEOUT=0
HWSC0001I  PORT=1111D  STATUS=ACTIVE  KEEPAV=5  NUMSOC=1  EDIT=  TIMEOUT=6000
HWSC0001I  NO ACTIVE CLIENTS
HWSC0001I  PORT=2222D  STATUS=ACTIVE  KEEPAV=0  NUMSOC=1  EDIT=  TIMEOUT=100
HWSC0001I  NO ACTIVE CLIENTS

```

Explanation: The status of IMS Connection is displayed. Detailed client information for ports is not included.

### Example 3: IMS Connect to IMS Connect connections for MSC

If connections between IMS Connect instances are used for MSC, the command output presents different perspectives of the connections, depending on which instance of IMS Connect the command is issued against.

For MSC communications, one instance of IMS Connect has a connection defined to send MSC messages to the other instance of IMS Connect. The other instance of IMS Connect has a connection defined to send the reply messages.

In the following example output, the command was issued for an IMS Connect instance, HWS1, at the IMS installation where the MSC transactions are input to IMS. HWS1 is connected to another IMS Connect instance, HWS2. HWS1 knows HWS2 only by the RMTIMSCON name ICON2. HWS1 has two active client connections for sending MSC transactions to ICON2 for processing, MSCBB435 and MSC84CF7, shown under SENDCLNT in the RMTIMSCON information. HWS1 receives the response messages to the MSC transactions on the client connections MSCC73E0 and MSC0EBB0, shown under CLIENTID in the PORT information.

A DATASTORE statement is defined for this instance of IMS Connect; however, DATASTORE statements are not used for MSC communications and can be omitted if your instance of IMS Connect does not communicate with OTMA.

```

HWSC0001I HWS ID=HWS1 RACF=N PSWDMC=R
HWSC0001I UIDCACHE=N UIDAGE=2147483647
HWSC0001I MAXSOC=2000 TIMEOUT=5000 TCPIPQ=50
HWSC0001I NUMSOC=5 WARNSOC=80% WARNINC=5%
HWSC0001I RRS=N STATUS=REGISTERED MULTIRTP= CASCADE=N
HWSC0001I VERSION=V14 IP-ADDRESS=192.0.2.0
HWSC0001I SUPER MEMBER NAME= CMO ACK TOQ=

HWSC0001I ADAPTER=N MAXCVRT=100 NUMCVRT=0
HWSC0001I MAXLSSSZ=32767
HWSC0001I DATASTORE=IMS1 STATUS=DISCONNECT
HWSC0001I GROUP=XCFGRP1 MEMBER=HWS1
HWSC0001I TARGET MEMBER=IMS1 STATE=N/A
HWSC0001I DEFAULT REROUTE NAME=HWS$DEF
HWSC0001I RACF APPL NAME=APPLID1 MULTIRTP= CASCADE=
HWSC0001I OTMA ACEE AGING VALUE=2147483647
HWSC0001I OTMA ACK TIMEOUT VALUE=120
HWSC0001I OTMA MAX INPUT MESSAGE=5000
HWSC0001I SUPER MEMBER NAME= CMO ACK TOQ=
HWSC0001I IMSPLEX=PLEX1 STATUS=ACTIVE
HWSC0001I MEMBER=HWS1 TARGET=PLEX1
HWSC0001I MSC=MSC12 STATUS=ACTIVE
HWSC0001I RMTPLKID=MSC21
HWSC0001I LCLIMSID=IMS1 RMTIMSID=IMS2
HWSC0001I IMSPLEX=PLEX1
HWSC0001I MEMBER=HWS1 TARGET MEMBER=PLEX1
HWSC0001I RMTIMSCON=ICON2
HWSC0001I IP-ADDRESS=127.0.0.1 PORT=5555
HWSC0001I HOSTNAME=WWW.EXAMPLE.COM
HWSC0001I LINK PARTNERID STATUS SENDCLNT RECVCLNT
HWSC0001I LNK12T01 TA ACTIVE MSC84CF7 MSC0EBB0
HWSC0001I LNK12T02 TB ACTIVE MSCBB435 MSCC73E0
HWSC0001I NO ACTIVE ODBM
HWSC0001I PORT=9999 STATUS=ACTIVE KEEPAV=0 NUMSOC=3 EDIT= TIMEOUT=0
HWSC0001I CLIENTID LCLPLKID STATUS SECOND CLNTPORT IP-ADDRESS
HWSC0001I MSCC73E0 MSC12 RECV 6 1026 0:0:0:0:FFFF:7F00:1
HWSC0001I MSC0EBB0 MSC12 RECV 56 1025 0:0:0:0:FFFF:7F00:1
HWSC0001I TOTAL CLIENTS=2 RECV=2 READ=0 CONN=0 XMIT=0 OTHER=0

```

```

HWSC0001I RMTIMSCON=ICON2 STATUS=ACTIVE
HWSC0001I IP-ADDRESS=127.0.0.1 PORT=5555
HWSC0001I HOSTNAME=WWW.EXAMPLE.COM
HWSC0001I AUTOCONN=N PERSISTENT=Y
HWSC0001I IDLETO=0
HWSC0001I RESVSOC=2 NUMSOC=2
HWSC0001I SENDCLNT LCLPLKID STATUS SECOND SENDPORT
HWSC0001I MSCBB435 MSC12 CONN 6 1028
HWSC0001I MSC84CF7 MSC12 CONN 56 1027
HWSC0001I TOTAL SENDCLNTS=2 RECV=0 CONN=2 XMIT=0 OTHER=0

```

The following example output corresponds to the preceding example output, and was produced by executing the command on IMS Connect instance HWS2, at the remote IMS installation where the MSC transactions are processed. HWS2 knows HWS1 only by the RMTIMSCON name ICON1. HWS2 receives MSC transactions on two active client connections, MSCBB435 and MSC84CF7, shown in the PORT information under CLIENTID. These IDs are the same IDs shown in the HWS1 example under SENDCLNT. After processing the MSC transactions, HWS2 sends the response messages back to ICON1 on the two active client connections shown under SENDCLNT in the RMTIMSCON information: MSCC73E0 and MSC0EBB0, the same IDs shown in the HWS1 example under CLIENTID.

```

HWSC0001I HWS ID=HWS2 RACF=N PSWDMC=R
HWSC0001I UIDCACHE=N UIDAGE=2147483647
HWSC0001I MAXSOC=50 TIMEOUT=5000 TCPIPQ=50
HWSC0001I NUMSOC=5 WARNSOC=80% WARNINC=5%
HWSC0001I RRS=N STATUS=REGISTERED MULTIRTP= CASCADE=N
HWSC0001I VERSION=V14 IP-ADDRESS=127.0.0.1
HWSC0001I SUPER MEMBER NAME= CM0 ACK TOQ=

HWSC0001I ADAPTER=N MAXCVRT=100 NUMCVRT=0
HWSC0001I MAXLSSZ=32767
HWSC0001I DATASTORE=IMS2 STATUS=DISCONNECT
HWSC0001I GROUP=XCFGRP1 MEMBER=HWS2
HWSC0001I TARGET MEMBER=IMS2 STATE=N/A
HWSC0001I DEFAULT REROUTE NAME=HWS$DEF
HWSC0001I RACF APPL NAME=APPLID1 MULTIRTP= CASCADE=
HWSC0001I OTMA ACEE AGING VALUE=2147483647
HWSC0001I OTMA ACK TIMEOUT VALUE=120
HWSC0001I OTMA MAX INPUT MESSAGE=5000
HWSC0001I SUPER MEMBER NAME= CM0 ACK TOQ=
HWSC0001I IMSPLEX=PLEX2 STATUS=ACTIVE
HWSC0001I MEMBER=HWS2 TARGET=PLEX2
HWSC0001I MSC=MSC21 STATUS=ACTIVE
HWSC0001I RMTPLKID=MSC12
HWSC0001I LCLIMSID=IMS2 RMTIMSID=IMS1
HWSC0001I IMSPLEX=PLEX2
HWSC0001I MEMBER=HWS2 TARGET MEMBER=PLEX2
HWSC0001I RMTIMSCON=ICON1
HWSC0001I IP-ADDRESS=192.0.2.0 PORT=9999
HWSC0001I HOSTNAME=WWW.EXAMPLE.COM
HWSC0001I LINK PARTNERID STATUS SENDCLNT RECVCLNT
HWSC0001I LNK21T01 TA ACTIVE MSC0EBB0 MSC84CF7
HWSC0001I LNK21T02 TB ACTIVE MSCC73E0 MSCBB435
HWSC0001I NO ACTIVE ODBM
HWSC0001I PORT=5555 STATUS=ACTIVE KEEPAV=0 NUMSOC=3 EDIT= TIMEOUT=0
HWSC0001I CLIENTID LCLPLKID STATUS SECOND CLNTPORT IP-ADDRESS
HWSC0001I MSCBB435 MSC21 RECV 18 1028 0:0:0:0:FFFF:C000:200
HWSC0001I MSC84CF7 MSC21 RECV 69 1027 0:0:0:0:FFFF:C000:200
HWSC0001I TOTAL CLIENTS=2 RECV=2 READ=0 CONN=0 XMIT=0 OTHER=0
HWSC0001I RMTIMSCON=ICON1 STATUS=ACTIVE
HWSC0001I IP-ADDRESS=192.0.2.0 PORT=9999
HWSC0001I HOSTNAME=WWW.EXAMPLE.COM
HWSC0001I AUTOCONN=N PERSISTENT=Y
HWSC0001I IDLETO=0
HWSC0001I RESVSOC=2 NUMSOC=2
HWSC0001I SENDCLNT LCLPLKID STATUS SECOND SENDPORT

```

```

HWSC0001I MSCC73E0 MSC21 CONN 18 1026
HWSC0001I MSC0EBB0 MSC21 CONN 69 1025
HWSC0001I TOTAL SENDCLNTS=2 RECV=0 CONN=2 XMIT=0 OTHER=0

```

#### Example 4: IMS Connect to IMS Connect connections for OTMA

If a connection between IMS Connect instances is used for OTMA messages, the command output shows different perspectives of the connection, depending on which instance of IMS Connect the command is executed on.

For OTMA, because the connections between IMS Connect instances are one-way connections, the connection is defined only in the sending IMS Connect instance. The connection is not defined in the remote IMS Connect instance.

In the following example output, the command is executed on HWS1, the IMS Connect instance at the IMS installation that sends the OTMA output messages. HWS1 is connected to a receiving IMS Connect instance, HWS2; however, HWS1 knows HWS2 only by the RMTIMSCON name ICON2B shown in the example. HWS1 sends the OTMA output messages to ICON2 for processing on the active client connection, OTM924FA, shown under SENDCLNT in the RMTIMSCON information. The SENDCLNT ID is auto-generated by HWS1 when establishing the connection with HWS2.

```

HWSC0001I HWS ID=HWS1 RACF=N PSWDMC=R
HWSC0001I UIDCACHE=N UIDAGE=2147483647
HWSC0001I MAXSOC=2000 TIMEOUT=5000 TCPIPQ=50
HWSC0001I NUMSOC=2 WARNSOC=80% WARNINC=5%
HWSC0001I RRS=N STATUS=REGISTERED MULTIRTP= CASCADE=N
HWSC0001I VERSION=V14 IP-ADDRESS=192.0.2.0
HWSC0001I SUPER MEMBER NAME= CM0 ACK TOQ=
HWSC0001I ADAPTER=N MAXCVRT=100 NUMCVRT=0
HWSC0001I MAXLSSSZ=32767
HWSC0001I DATASTORE=IMS1 STATUS=ACTIVE
HWSC0001I GROUP=XCFGRP1 MEMBER=HWS1
HWSC0001I TARGET MEMBER=IMS1 STATE=AVAIL
HWSC0001I DEFAULT REROUTE NAME=HWS$DEF
HWSC0001I RACF APPL NAME=APPLID1 MULTIRTP= CASCADE=
HWSC0001I OTMA ACEE AGING VALUE=2147483647
HWSC0001I OTMA ACK TIMEOUT VALUE=120
HWSC0001I OTMA MAX INPUT MESSAGE=5000
HWSC0001I SUPER MEMBER NAME= CM0 ACK TOQ=
HWSC0001I NO ACTIVE IMSPLEX
HWSC0001I NO ACTIVE ODBM
HWSC0001I NO ACTIVE MSC
HWSC0001I PORT=9999 STATUS=ACTIVE KEEPAV=0 NUMSOC=1 EDIT= TIMEOUT=0
HWSC0001I NO ACTIVE CLIENTS
HWSC0001I RMTIMSCON=ICON2B STATUS=ACTIVE
HWSC0001I IP-ADDRESS=127.0.0.1 PORT=5555
HWSC0001I HOSTNAME=WWW.EXAMPLE.COM
HWSC0001I AUTOCONN=N PERSISTENT=Y
HWSC0001I IDLETO=3000
HWSC0001I RESVSOC=4 NUMSOC=1
HWSC0001I SENDCLNT USERID STATUS SECOND SENDPORT
HWSC0001I OTM924FA APOL1 CONN 5941 1026
HWSC0001I TOTAL SENDCLNTS=1 RECV=0 CONN=1 XMIT=0 OTHER=0

```

The following example output corresponds to the preceding example output, and was produced by executing the command on HWS2, the IMS Connect instance at the IMS installation that receives the OTMA output messages. HWS2 knows HWS1 only by the auto-generated client ID, OTM924FA, shown under CLIENTID in the PORT information. The CLIENTID value is the same value shown under SENDCLNT at the local IMS installation. HWS2 receives the OTMA transactions on the connection identified by the client ID OTM924FA. After processing the OTMA

message, the remote IMS system queues any response messages to the tpipe hold queue identified by the client ID OTM924FA for later asynchronous retrieval.

```

HWSC0001I HWS ID=HWS2 RACF=N PSWDMC=R
HWSC0001I UIDCACHE=N UIDAGE=2147483647
HWSC0001I MAXSOC=50 TIMEOUT=5000 TCPIPQ=50
HWSC0001I NUMSOC=5 WARNSOC=80% WARNINC=5%
| HWSC0001I RRS=N STATUS=REGISTERED MULTIRTP= CASCADE=N
HWSC0001I VERSION=V14 IP-ADDRESS=127.0.0.1
HWSC0001I SUPER MEMBER NAME= CM0 ACK TOQ=
HWSC0001I ADAPTER=N MAXCVRT=100 NUMCVRT=0
HWSC0001I MAXLSSSZ=32767
HWSC0001I DATASTORE=IMS2 STATUS=ACTIVE
HWSC0001I GROUP=XCFGRP2 MEMBER=HWS2
HWSC0001I TARGET MEMBER=IMS2 STATE=AVAIL
HWSC0001I DEFAULT REROUTE NAME=HWS$DEF
| HWSC0001I RACF APPL NAME=APPLID1 MULTIRTP= CASCADE=
HWSC0001I OTMA ACEE AGING VALUE=2147483647
HWSC0001I OTMA ACK TIMEOUT VALUE=120
HWSC0001I OTMA MAX INPUT MESSAGE=5000
HWSC0001I SUPER MEMBER NAME= CM0 ACK TOQ=
HWSC0001I NO ACTIVE IMSPLEX
HWSC0001I NO ACTIVE ODBM
HWSC0001I NO ACTIVE MSC
HWSC0001I PORT=9999 STATUS=ACTIVE KEEPAV=0 NUMSOC=1 EDIT= TIMEOUT=0
HWSC0001I NO ACTIVE CLIENTS
HWSC0001I PORT=8888 STATUS=ACTIVE KEEPAV=0 NUMSOC=1 EDIT= TIMEOUT=0
HWSC0001I NO ACTIVE CLIENTS
HWSC0001I PORT=7777 STATUS=ACTIVE KEEPAV=0 NUMSOC=1 EDIT= TIMEOUT=0
HWSC0001I NO ACTIVE CLIENTS
HWSC0001I PORT=5555 STATUS=ACTIVE KEEPAV=0 NUMSOC=2 EDIT= TIMEOUT=0
HWSC0001I CLIENTID USERID TRANCODE DATASTORE STATUS SECOND CLNTPORT IP-ADDRESS APSPB-TOKEN
HWSC0001I OTM924FA APOL1 APOL11 IMS2 RECV 11 1026 0:0:0:0:FFFF:C000:200
HWSC0001I TOTAL CLIENTS=1 RECV=1 READ=0 CONN=0 XMIT=0 OTHER=0
HWSC0001I RMTIMSCON=ICON1B STATUS=NOT ACTIVE
HWSC0001I IP-ADDRESS=192.0.2.0 PORT=9999
HWSC0001I HOSTNAME=WWW.EXAMPLE.COM
HWSC0001I AUTOCONN=N PERSISTENT=Y
HWSC0001I IDLETO=0
HWSC0001I RESVSOC=4 NUMSOC=0
HWSC0001I NO ACTIVE CLIENTS

```

### Example 5: ISC connections between IMS Connect and CICS

In the following example output, an ISC link, IMS1CIC4, links to a remote CICS subsystem by way of the RMTICICS connection, CICS4.

Currently, three parallel sessions, or *ISCUSERS*, are active: CIC4U01, CIC4U02, and CIC4U03. The status, the send client ID, and the receive client ID are shown on the row for each parallel session.

IMS Connect receives input messages from CICS on port 9876C, as defined by the CICSSPORT keyword in the IMS Connect configuration member. Each receive socket for each parallel session on the CICSSPORT is identified by a receive client ID that is generated by IMS Connect.

IMS Connect sends output messages to CICS through send sockets on ports that are automatically selected by IMS Connect. Each send socket for each parallel session is identified by a send client ID that is automatically generated by IMS Connect.

```

HWSC0001I HWS ID=HWS1 RACF=N PSWDMC=R
HWSC0001I UIDCACHE=N UIDAGE=2147483647
HWSC0001I MAXSOC=50 TIMEOUT=5000 TCPIPQ=50
HWSC0001I NUMSOC=7 WARNSOC=80% WARNINC=5%
| HWSC0001I RRS=N STATUS=NOT ACTIVE MULTIRTP= CASCADE=N

```

```

| HWSC0001I  VERSION=V14 IP-ADDRESS=127.0.0.1
HWSC0001I  SUPER MEMBER NAME=      CM0 ACK TOQ=

HWSC0001I  ADAPTER=N MAXCVRT=100 NUMCVRT=0
HWSC0001I  MAXLSSSZ=32767
HWSC0001I  IMSPLEX=PLEX1  STATUS=ACTIVE
HWSC0001I  MEMBER=HWS1    TARGET=PLEX1
HWSC0001I  ISC=IMS1CIC4  STATUS=ACTIVE
HWSC0001I  NODE=CIC4
HWSC0001I  LCLIMSID=IMS1
HWSC0001I  IMSPLEX=PLEX1
HWSC0001I  MEMBER=HWS1          TARGET MEMBER=PLEX1
HWSC0001I  RMTICICS=CICS4
HWSC0001I  IP-ADDRESS=192.0.2.0  PORT=7777
HWSC0001I  HOSTNAME=WWW.EXAMPLE.COM
HWSC0001I  CICSAPPL=CICS1    CICSSPORT=9876
HWSC0001I  CICSNETID=IMSNET
HWSC0001I  ISCUSER  STATUS      SENDCLNT  RECVCLNT
HWSC0001I  CIC4U01  ACTIVE      ISCE7811  ISCF4816
HWSC0001I  CIC4U02  ACTIVE      ISC3A819  ISC7121D
HWSC0001I  CIC4U03  ACTIVE      ISCECD99  ISC5C09F
HWSC0001I  TOTAL ISCUSERS=3 ACTIVE=3 OTHER=0
HWSC0001I  NO ACTIVE ODBM
HWSC0001I  NO ACTIVE MSC
HWSC0001I  PORT=9876C  STATUS=ACTIVE  KEEPAV=0 NUMSOC=4 EDIT=      TIMEOUT=0
HWSC0001I  CLIENTID  ISCNAME  STATUS      SECOND CLNTPORT IP-ADDRESS
HWSC0001I  ISC5C09F  IMS1CIC4  RECV        4 1037  0:0:0:0:FFFF:C000:200
HWSC0001I  ISC7121D  IMS1CIC4  RECV        13 1035  0:0:0:0:FFFF:C000:200
HWSC0001I  ISCF4816  IMS1CIC4  RECV        200 1033  0:0:0:0:FFFF:C000:200
HWSC0001I  TOTAL CLIENTS=3 RECV=3 READ=0 CONN=0 XMIT=0 OTHER=0
HWSC0001I  NO ACTIVE RMTIMSCON
HWSC0001I  RMTICICS=CICS4  STATUS=ACTIVE
HWSC0001I  IP-ADDRESS=192.0.2.0  PORT=7777
HWSC0001I  HOSTNAME=WWW.EXAMPLE.COM
HWSC0001I  SENDCLNT  ISCNAME  STATUS      SECOND SENDPORT
HWSC0001I  ISCECD99  IMS1CIC4  CONN        4 1036
HWSC0001I  ISC3A819  IMS1CIC4  CONN        13 1034
HWSC0001I  ISCE7811  IMS1CIC4  CONN        200 1032
HWSC0001I  TOTAL SENDCLNTS=3 RECV=0 CONN=3 XMIT=0 OTHER=0

```

## Example 6: Multiple client types

In the following example output, IMS Connect supports many different client types, including:

- Clients that connect to IMS DB via a DRDA port and the Open Database Manager (ODBM) component of the IMS Common Service Layer (CSL).
- Clients that connect to IMS TM via a DATASTORE connection and the IMS Open Transaction Manager Access (OTMA) component.
- A CICS system that connects to IMS TM via ISC and the CICS IPIC protocol
- An IMS system that connects to another IMS system via OTMA
- An IMS system that connects in another IMS system via MSC

Certain output fields are always displayed while other output fields are displayed only if IMS Connect is actively supporting a specific client type.

```

HWSC0001I  HWS ID=ICON1  RACF=N  PSWDMC=R
HWSC0001I  MAXSOC=50  TIMEOUT=5000  TCPIPQ=50
HWSC0001I  NUMSOC=18  WARNSOC=80%  WARNINC=5%
| HWSC0001I  RRS=N  STATUS=ACTIVE  MULTIRTP=  CASCADE=N
| HWSC0001I  VERSION=V14 IP-ADDRESS=127.0.0.1
HWSC0001I  SUPER MEMBER NAME=      CM0 ACK TOQ=

HWSC0001I  ADAPTER=Y  MAXCVRT=100  NUMCVRT=0
HWSC0001I  MAXLSSSZ=32767
HWSC0001I  ODBM AUTO CONNECTION=Y

```

```

HWSC0001I ODBM TIMEOUT=1200000
HWSC0001I ODBM IMSPLEX MEMBER= TARGET MEMBER=
HWSC0001I DATASTORE=IMS1 STATUS=ACTIVE
HWSC0001I GROUP=XCFGRP1 MEMBER=ICON1
HWSC0001I TARGET MEMBER=IMS1 STATE=N/A
HWSC0001I DEFAULT REROUTE NAME=THATWAY
HWSC0001I RACF APPL NAME=APPLID1 MULTIRTP= CASCADE=
HWSC0001I OTMA ACEE AGING VALUE=2147483647
HWSC0001I OTMA ACK TIMEOUT VALUE=120
HWSC0001I OTMA MAX INPUT MESSAGE=5000
HWSC0001I SUPER MEMBER NAME= CMO ACK TOQ=
HWSC0001I IMSPLEX=PLEX1 STATUS=ACTIVE
HWSC0001I MEMBER=ICON1 TARGET=PLEX1
HWSC0001I ODBM=ODBM10D STATUS=REGISTERED ODBMRRS=Y
HWSC0001I ALIAS=ALI1 STATUS=ACTIVE
HWSC0001I ALIAS=IMSA STATUS=ACTIVE
HWSC0001I ALIAS=IMS1 STATUS=ACTIVE
HWSC0001I ALIAS=ALI2 STATUS=ACTIVE
HWSC0001I ALIAS=IMS2 STATUS=ACTIVE
HWSC0001I MSC=MSC12 STATUS=ACTIVE
HWSC0001I RMTPLKID=MSC21
HWSC0001I LCLIMS=IMS1 RMTIMS=IMS2 GENIMSID=IMS AFFINTY=IMS1
HWSC0001I IMSPLEX=PLEX1
HWSC0001I MEMBER=ICON1 TARGET MEMBER=PLEX1
HWSC0001I RMTIMSCON=CONNECT2
HWSC0001I IP-ADDRESS=192.0.2.0 PORT=5555
HWSC0001I HOSTNAME=WWW.EXAMPLE.COM
HWSC0001I LINK PARTNERID STATUS SENDCLNT RECVCLNT
HWSC0001I LINK12A AA ACTIVE MSC11111 MSC33333
HWSC0001I LINK12B BB ACTIVE MSC22222 MSC44444
HWSC0001I ISC=CICS STATUS=ACTIVE
HWSC0001I NODE=CICSTRM1
HWSC0001I LCLIMSID=IMS1
HWSC0001I IMSPLEX=PLEX1
HWSC0001I MEMBER=HWS1 TARGET MEMBER=PLEX1
HWSC0001I RMTICIS=ICONNT1
HWSC0001I IP-ADDRESS=192.0.2.1 PORT=9999
HWSC0001I HOSTNAME=WWW.EXAMPLE.COM
HWSC0001I CICSAPPL=CICSA1 CICSSPORT=6666
HWSC0001I CICSNETID=CICSNET
HWSC0001I NO ACTIVE ISCUSER
HWSC0001I ISC=LU6TCP2 STATUS=ACTIVE
HWSC0001I NODE=CICSTRM2
HWSC0001I LCLIMSID=IMS1
HWSC0001I IMSPLEX=PLEX1
HWSC0001I MEMBER=HWS1 TARGET MEMBER=PLEX1
HWSC0001I RMTICIS=ICONNT2
HWSC0001I IP-ADDRESS=192.0.2.2 PORT=9998
HWSC0001I HOSTNAME=WWW.EXAMPLE.COM
HWSC0001I CICSAPPL=CICSA2 CICSSPORT=7777
HWSC0001I CICSNETID=CICSNET
HWSC0001I ISCUSER STATUS SENDCLNT RECVCLNT
HWSC0001I IMSUS01 ACTIVE ISC11111 ISC33333
HWSC0001I IMSUS02 ACTIVE ISC22222 ISC44444
HWSC0001I TOTAL ISCUSERS=2 ACTIVE=2 OTHER=0
HWSC0001I PORT=9996 STATUS=ACTIVE KEEPAV=0 NUMSOC=4 EDIT= TIMEOUT=0
HWSC0001I CLIENTID USERID TRANCODE DATASTORE STATUS SECOND CLNTPORT IP-ADDRESS APSB-TOKEN
HWSC0001I CLIENT01 USRT003 ITOC04 IMS1 RECV 27 3464 0:0:0:0:FFFF:C000:204
HWSC0001I CLIENTID LCLPLKID STATUS SECOND CLNTPORT IP-ADDRESS
HWSC0001I MSC33333 MSC12 CONN 14 1739 0:0:0:0:FFFF:C000:200
HWSC0001I MSC44444 MSC12 CONN 9 2684 0:0:0:0:FFFF:C000:200
HWSC0001I TOTAL CLIENTS=3 RECV=1 CONN=2 XMIT=0 OTHER=0
HWSC0001I PORT=6666C STATUS=NOT ACTIVE KEEPAV=0 NUMSOC=1 EDIT= TIMEOUT=0
HWSC0001I NO ACTIVE CLIENTS
HWSC0001I PORT=7777C STATUS=ACTIVE KEEPAV=0 NUMSOC=3 EDIT= TIMEOUT=0
HWSC0001I CLIENTID ISCNAME STATUS SECOND CLNTPORT IP-ADDRESS
HWSC0001I ISC33333 LU6TCP2 CONN 14 3579 0:0:0:0:FFFF:C000:202
HWSC0001I ISC44444 LU6TCP2 CONN 9 2468 0:0:0:0:FFFF:C000:202
HWSC0001I TOTAL CLIENTS=3 RECV=1 CONN=2 XMIT=0 OTHER=0

```



```

HWSC0001I PORT=LOCAL STATUS=ACTIVE KEEPAV=0 NUMSOC=0 EDIT= TIMEOUT=0
HWSC0001I NO ACTIVE CLIENTS
HWSC0001I PORT=8899S STATUS=NOT ACTIVE KEEPAV=0 NUMSOC=1 EDIT= TIMEOUT=0
HWSC0001I NO ACTIVE CLIENTS
HWSC0001I PORT=8888D STATUS=ACTIVE KEEPAV=0 NUMSOC=1 EDIT= TIMEOUT=600000
HWSC0001I NO ACTIVE CLIENTS
HWSC0001I RMTIMSCON=CONNECT2 STATUS=ACTIVE
HWSC0001I IP-ADDRESS=192.0.2.0 PORT=5555
HWSC0001I HOSTNAME=WWW.EXAMPLE.COM
HWSC0001I AUTOCONN=N PERSISTENT=Y
HWSC0001I IDLETO=6000
HWSC0001I RESVSOC=10 NUMSOC=2
HWSC0001I SENDCLNT LCLPLKID STATUS SECOND SENDPORT
HWSC0001I MSC11111 MSC12 CONN 100 1234
HWSC0001I MSC22222 MSC12 CONN 89 5678
HWSC0001I RMTIMSCON=CONNECT3 STATUS=ACTIVE
HWSC0001I IP-ADDRESS=192.0.2.4 PORT=9999
HWSC0001I HOSTNAME=WWW.EXAMPLE.COM
HWSC0001I AUTOCONN=Y PERSISTENT=Y
HWSC0001I IDLETO=6000
HWSC0001I RESVSOC=4 NUMSOC=4
HWSC0001I SENDCLNT USERID STATUS SECOND SENDPORT
HWSC0001I OTM11111 USER01 CONN 100 1111
HWSC0001I OTM22222 USER01 CONN 89 2222
HWSC0001I OTM33333 USER02 CONN 81 3333
HWSC0001I OTM44444 USER03 RECV 23 4444
HWSC0001I TOTAL SENDCLNTS=4 RECV=1 CONN=3 XMIT=0 OTHER=0
HWSC0001I RMTICIS=ICONNT1 STATUS=NOT ACTIVE
HWSC0001I IP-ADDRESS=192.0.2.1 PORT=9997
HWSC0001I HOSTNAME=WWW.EXAMPLE.COM
HWSC0001I NO ACTIVE CLIENTS
HWSC0001I RMTICIS=ICONNT2 STATUS=ACTIVE
HWSC0001I IP-ADDRESS=192.0.2.2 PORT=9998
HWSC0001I HOSTNAME=WWW.EXAMPLE.COM
HWSC0001I SENDCLNT ISCNAME STATUS SECOND SENDPORT
HWSC0001I ISC11111 LU6TCP2 CONN 100 1111
HWSC0001I ISC22222 LU6TCP2 CONN 89 2222
HWSC0001I TOTAL SENDCLNTS=2 RECV=0 CONN=2 XMIT=0 OTHER=0

```

**Related reference:**

“VIEWHWS command” on page 562

 [QUERY IMSCON TYPE\(CONFIG\) command \(Commands\)](#)

## IMS Connect QUERY MSC command

Use the IMS Connect z/OS MODIFY command QUERY MSC to display the attributes and status of the MSC links that IMS Connect supports.

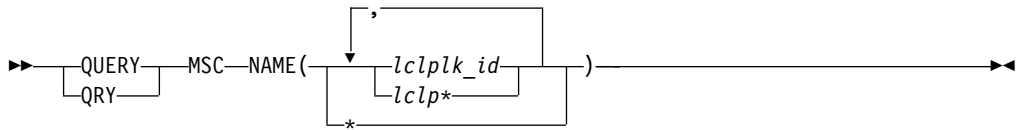
The QUERY MSC command displays the same information as the IMS Connect WTOR command VIEWMSC.

To display information about the sockets that are currently open for MSC on IMS Connect, use the IMS Connect z/OS MODIFY command QUERY RMTIMSCON or the IMS Connect WTOR command VIEWRMT.

Subsections:

- “Syntax” on page 646
- “Keywords” on page 646
- “Usage” on page 646
- “Equivalent IMS Connect type-2 and WTOR commands” on page 646
- “Output fields” on page 646
- “Examples” on page 649

## Syntax



## Keywords

QUERY or QRY keyword is used to query the status or attributes of a specified resource, such as MSC links, which are an IMS Connect managed resource. The MSC links are represented in the command syntax by the keyword MSC.

### NAME(*lclplk\_id*)

The ID of the MSC physical link, as specified LCLPLKID parameter of the MSC statement in the IMS Connect PROCLIB configuration member.

You can specify a single link ID, a wildcard name, or a list of link IDs that are separated by commas. Specify NAME(\*) to display information about all the MSC physical links that are defined to the IMS Connect instance.

## Usage

Use the QUERY MSC command to display information of the MSC physical link defined in the LCLPLKID parameter of the MSC statement in the IMS Connect configuration member.

## Equivalent IMS Connect type-2 and WTOR commands

The following table lists IMS Connect type-2 commands and IMS Connect WTOR commands that perform similar functions as the QUERY MSC command.

QUERY MSC command	Equivalent IMS Connect type-2 command	Equivalent WTOR command
QUERY MSC NAME(*)	QUERY IMSCON TYPE(MSC) NAME(*) SHOW(ALL   <i>show_parm</i> )	VIEWMSC ALL
QUERY MSC NAME( <i>msc_id</i> )	QUERY IMSCON TYPE(MSC) NAME( <i>msc_id</i> ) SHOW(ALL   <i>show_parm</i> )	VIEWMSC <i>msc_id</i>

## Output fields

Output fields that return only a single value are displayed in the format FIELD\_LABEL=VALUE, for example: RMTIMSCON=ICON1.

Output fields that return multiple values, such as the output fields for multiple sockets on a connection, are displayed in a column format, where the field label is a column heading and the values appear under the heading on separate rows in the column. For example:

```

HWSC0001I   LINK    PARTNERID STATUS    SENDCLNT RECVCCLNT
HWSC0001I   LINK12A AA        ACTIVE    MSC11111 MSC33333
HWSC0001I   LINK12B BB        ACTIVE    MSC22222 MSC44444
  
```

The following list shows the output fields of the QUERY MSC command.

**MSC=** Name of the displayed MSC physical link, as specified on the LCLPLKID parameter of the MSC statement in the IMS Connect configuration member. The following additional output fields describe the status, attributes, and logical links that belong to the physical link identified in the MSC= output field:

**STATUS**

The state of the MSC physical link displayed in the MSC output field. A physical link can be in the following states:

**ACTIVE**

The MSC physical link is enabled for communications between IMS Connect and the local IMS system.

**NOT ACTIVE**

The MSC physical link is disabled for communications between IMS Connect and the local IMS system.

**RMTPLKID**

The ID of the MSC physical link at the remote IMS site, as defined in the RMTPLKID parameter of the MSC statement in the IMS Connect configuration member.

**LCLIMSID**

The ID of the local MSC-enabled IMS system, as defined to IMS Connect on the LCLIMS parameter of the MSC statement in the IMS Connect configuration member. This LCLIMS value must match the IMS ID that the local IMS system registers with SCI in the IMSplex. You can determine the IMS ID that is registered with SCI by issuing the QUERY IMSPLEX command in the local IMSplex.

If the second IMS ID is shown in the output, it identifies the other IMS system in an XRF couple.

**RMTIMSID**

The name of the remote MSC-enabled IMS system, as defined on the RMTIMS parameter of the MSC statement in the IMS Connect configuration member.

**GENIMSID**

The generic IMS ID that is being used for TCP/IP generic resources for MSC, as defined in the GENIMSID parameter of the MSC statement in the IMS Connect configuration member.

**AFFINITY**

The name of the IMS system with which the MSC logical link currently has affinity for TCP/IP generic resources.

**IMSPLEX**

Name of the IMSplex that manages communications between IMS Connect and the local, MSC-enabled IMS system. This name is the IMSplex name that is specified on the IMSPLEX parameter of MSC statement in the IMS Connect configuration member.

This IMSPLEX name must match the name specified on the IMSPLEX(NAME=) statement of the CSLSIxxx PROCLIB member of the SCI instance that is managing communications between IMS Connect and the IMSplex.

**MEMBER**

The name by which this IMS Connect is registered in the

IMSpIex, as defined on the MEMBER parameter in the IMSPLEX substatement of the MSC statement in the IMS Connect configuration member.

This MEMBER name must also be specified on the LCLICON parameter in the MSPLINK macro that defines this MSC physical link in the local IMS system.

**TARGET MEMBER**

Name of the IMSpIex as defined in the TMEMBER subparameter of the IMSPLEX parameter of the MSC statement in the IMS Connect configuration member.

**RMTIMSCON**

The name of the IMS Connect connection that is used by this MSC physical link, as defined in the RMTIMSCON parameter of the MSC statement in the IMS Connect configuration member.

**IP-ADDRESS**

The IP address of the remote IMS Connect instance.

**PORT** The port number used by the remote IMS Connect instance.

**HOSTNAME**

The host name of the remote IMS Connect instance, if one is available.

**LINK** The ID of an MSC logical link that is assigned to this physical link.

The values returned for this output field are displayed in column format.

If no logical links are currently assigned to this physical link, this output field is not displayed.

**PARTNERID**

The ID of the remote partner for this logical link, as specified on the PARTNER parameter in the MSLINK macro that defines this logical link.

The values returned for this output field are displayed in column format.

If no logical links are currently assigned to this physical link, this output field is not displayed.

**STATUS**

The current state of this logical link. A logical link can have the following state:

**ACTIVE**

This logical link can send messages to the remote IMS Connect.

The values returned for this output field are displayed in column format.

If no logical links are currently assigned to this physical link, this output field is not displayed.

**SENDCLNT**

The send socket ID generated by this instance of IMS Connect to identify a send socket opened on this

connection. The SENDCLNT ID is used as the client ID when establishing a socket connection with the remote IMS Connect instance.

The send socket IDs generated for sockets on connections that are used for OTMA begin with "OTM." The send socket IDs that are generated for sockets on connections that are used for MSC begin with "MSC."

The values returned for this output field are displayed in column format.

If no logical links are currently assigned to this physical link, this output field is not displayed.

### RECVCLNT

The client ID that identifies the receive socket for this logical link. The client ID is generated by the remote IMS Connect instance.

The values returned for this output field are displayed in column format.

If no logical links are currently assigned to this physical link, this output field is not displayed.

## Examples

In the following example, the QUERY MSC command returns information about the MSC physical link MSC13, which is defined to the local IMS Connect instance HWS1:


```
F ICON1,QUERY MSC NAME(MSC13)
HWSC0001I MSC=MSC13 STATUS=ACTIVE
HWSC0001I RMTPLKID=MSC31
HWSC0001I LCLIMSID=IMS1 RMTIMSID=IMS3
HWSC0001I GENIMSID= AFFINITY=
HWSC0001I IMSPLEX=PLEX1
HWSC0001I MEMBER=HWS1 TARGET MEMBER=PLEX1
HWSC0001I RMTIMSCON=ICONNT2
HWSC0001I IP-ADDRESS=127.0.0.1 PORT=9992
HWSC0001I HOSTNAME=
HWSC0001I NO ACTIVE LINK
```

In the following example, the QUERY MSC command returns information about the MSC physical link MSC12:

```
F ICON1,QUERY MSC NAME(MSC12)
HWSC0001I MSC=MSC12 STATUS=ACTIVE
HWSC0001I RMTPLKID=MSC21
HWSC0001I LCLIMSID=IMS1 ,IMS3 RMTIMSID=IMS3
HWSC0001I GENIMSID=IMS AFFINITY=
HWSC0001I IMSPLEX=PLEX1
HWSC0001I MEMBER=HWS1 TARGET MEMBER=PLEX1
HWSC0001I RMTIMSCON=ICONNT1
HWSC0001I IP-ADDRESS=192.0.2.2 PORT=9999
HWSC0001I HOSTNAME=WWW.EXAMPLE.COM
HWSC0001I NO ACTIVE LINK
```

### Related reference:

“VIEWMSC command” on page 590

 [QUERY IMSCON TYPE\(MSC\) command \(Commands\)](#)

---

## IMS Connect QUERY PORT command

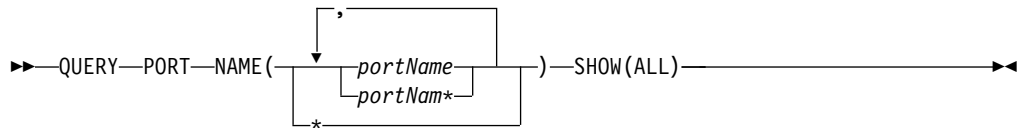
Use the QUERY PORT command to display the current status of a requested port.

The PORT resource type refers to the port number that binds a socket with TCP/IP. If a port name is specified, the name must match a port name already defined in the PORTID, CICSSPORT, DRDAPORT, or SSLPORT substatements of the TCP/IP configuration statement in the IMS Connect configuration member. The QUERY PORT command performs similar functions as the VIEWPORT command.

Subsections:

- “Syntax”
- “Keywords”
- “Equivalent IMS Connect type-2 and WTOR commands”
- “Output fields” on page 651
- Examples

### Syntax



### Keywords

QUERY or QRY is used to query the status or attributes of a specified resource and PORT is an IMS Connect managed specified resource. The QUERY PORT command is used to display the requested port status.

#### NAME (*portName*)

Specifies the port name to be displayed. You can specify a single port name, a wildcard name, or a list of port names separated by commas. You can specify name(\*) for the command to be processed for all ports.

#### SHOW ( )

Specifies the output fields to be returned.

#### ALL

Returns all output fields. This is the default.

### Usage notes

Use the QUERY PORT command to display the current status, client, and activity of one port or all ports.

The information displayed by QUERY PORT is the same as the information returned for all ports by the QUERY MEMBER command.

### Equivalent IMS Connect type-2 and WTOR commands

The following table lists IMS Connect type-2 commands and IMS Connect WTOR commands that perform similar functions as the QUERY PORT command.

QUERY PORT command	Equivalent IMS Connect type-2 command	Equivalent WTOR command
QUERY PORT NAME(*) SHOW(ALL)	QUERY IMSCON TYPE(PORT) NAME(*) SHOW(ALL   <i>show_parm</i> )	VIEWPORT ALL
QUERY PORT NAME( <i>port_id</i> ) SHOW(ALL)	QUERY IMSCON TYPE(PORT) NAME( <i>portid</i> ) SHOW(ALL   <i>show_parm</i> )	VIEWPORT <i>port_id</i>
QUERY PORT NAME(LOCAL) SHOW(ALL)	QUERY IMSCON TYPE(PORT) NAME(LOCAL) SHOW(ALL   <i>show_parm</i> )	VIEWPORT LOCAL

## Output fields

The following list shows the output fields of the QUERY PORT command.

### PORT=

Identifies the port or ports to which the following output fields and statuses apply. The port numbers are defined in the IMS Connect configuration member in the IMS.PROCLIB data set.

You can determine the type of a port by the port-type indicator that is appended to the end of the port number. IMS Connect uses the following port-type indicators:

#### No type indicator

Indicates a port that can be used for IMS TM OTMA clients and IMS-to-IMS MSC or OTMA communications. Ports that do not have a type indicator are defined on either the PORT keyword or the PORTID keyword of the TCPIP statement in the IMS Connect configuration member.

**C** Indicates an IBM CICS Transaction Server for z/OS port for ISC communications that is defined to IMS Connect on the CICSPORT parameter of the TCPIP and ISC statements. CICS ports are used exclusively by CICS subsystems that access IMS TM via an ISC TCP/IP link.

**D** Indicates a Distributed Relational Database Architecture (DRDA) port that is defined to IMS Connect on the DRDAPORT parameter. DRDA ports are used exclusively by client application programs that access IMS DB through the Open Database Manager (ODBM).

**S** Indicates an SSL port that is defined to IMS Connect on the SSLPORT parameter. SSL ports are used only when IMS Connect support for SSL is enabled.

The following output fields apply to the port identified in the preceding PORT output field.

#### STATUS

State of the port, whether ACTIVE or INACTIVE.

#### KEEPAV

The amount of time a connection remains idle before the z/OS TCP/IP layer sends a packet to maintain the connection.

#### NUMSOC

The number of sockets used on each port.

## TIMEOUT

The amount of time IMS Connect waits before terminating a client connection if no messages are received from the client.

**CLIENTID ISCNAME STATUS SECOND CLNTPORT IP-ADDRESS**

or

**CLIENTID LCLPLKID STATUS SECOND CLNTPORT IP-ADDRESS**

or

**CLIENTID USERID TRANCODE DATASTORE STATUS SECOND CLNTPORT IP-ADDRESS APSB-TOKEN**

The ID and information for an active client on a receive socket.

The information for each active client is displayed on a single row. Clients are grouped together by client type under a row of headings that identify the information that is returned for that client type.

For ISC clients, the following information is displayed: CLIENTID ISCNAME STATUS SECOND CLNTPORT IP-ADDRESS.

For MSC clients, the following information is displayed: CLIENTID LCLPLKID STATUS SECOND CLNTPORT IP-ADDRESS.

For OTMA and ODBM clients, the following information is displayed: CLIENTID USERID TRANCODE DATASTORE STATUS SECOND CLNTPORT IP-ADDRESS APSB-TOKEN.

The following example shows the information returned for three OTMA clients:

```
HWSC0001I PORT=9999 STATUS=ACTIVE KEEPAV=0 NUMSOC=4 EDIT= TIMEOUT=0
HWSC0001I CLIENTID USERID TRANCODE DATASTORE STATUS SECOND CLNTPORT IP-ADDRESS APSB-TOKEN
HWSC0001I CLIENT63 USRT003 apo112 IMSY RECV WFCM 55 4118 192.0.2.0
HWSC0001I CLIENT62 USRT002 IMS1 CONN 210 4115 192.0.2.0
HWSC0001I CLIENT61 USRT001 apo112 IMSN RECV 13 4112 192.0.2.0
HWSC0001I TOTAL CLIENTS=3 RECV=2 CONN=1 XMIT=0 OTHER=0
```

If a port has no active clients on it, these output fields are not displayed. Instead, the command output displays NO ACTIVE CLIENTS after the row that identifies the port.

The information returned for active clients includes, in alphabetical order:

### APSB-TOKEN

Open Database Manager (ODBM) APSB token.

### CLIENTID

The name of the client.

For connections from other IMS Connect instances, the other IMS Connect instance generates this value.

### CLNTPORT

A random number that TCP/IP generates to represent a connection from a client.

### DATASTORE

The data store associated with this client.

The IP address of the client for this connection.

If IPV6 is enabled, the IP address format consists of eight hexadecimal numbers divided by colons. If IPV6 is not



enabled, the IP address format of IPV4 is used. The following example is for an IPV6 IP address that is displayed in IPV6 format:

FEDC:ABCD:2222:3333:FEDC:DB55:6666:3322

The following example is for an IPV4 IP address that is displayed in IPV6 format:

0:0:0:0:0:FFFF:945:33FF

### ISCNAME

The name of the ISC statement in the IMS Connect configuration member.

### LCLPLKID

The MSC physical link in the local IMS system to which IMS Connect routes the messages from the client. This field exists only for MSC communications.

### SECOND

Number of seconds that the client has been in the specified status.

### STATUS

State of the thread of the client. The client thread state can be one of the following values:

**RECV** In a receive state waiting for input from client.

**READ** In a partial read state. IMS Connect is reading a message from the client but has not yet received the entire length of the message.

#### CONN

Waiting for output from IMS.

**XMIT** Sending data to client.

#### CONV

In a conversational state.

#### WFCM

Waiting for confirmation (ACK, NAK, or DEALLOCATE) from client.

### TRANCODE

The transaction code submitted by the client.

### USERID

The USERID name passed to IMS Connect.

## Example 1: QUERY PORT

Command input:

```
F HWS1,QUERY PORT NAME(*) SHOW(ALL)
```

Command output:

```
HWSC0001I PORT=9999 STATUS=ACTIVE KEEPAV=0 NUMSOC=4 EDIT= TIMEOUT=0
HWSC0001I CLIENTID USERID TRANCODE DATASTORE STATUS SECOND CLNTPORT IP-ADDRESS APSB-TOKEN
HWSC0001I CLIENT63 USRT003 apo112 IMSY RECV WFCM 55 4118 192.0.2.0
HWSC0001I CLIENT62 USRT002 IMS1 CONN 210 4115 192.0.2.1
HWSC0001I CLIENT61 USRT001 apo112 IMSN RECV 13 4112 192.0.2.2
HWSC0001I TOTAL CLIENTS=3 RECV=2 CONN=1 XMIT=0 OTHER=0
HWSC0001I PORT=LOCAL STATUS=ACTIVE KEEPAV=0 NUMSOC=0 EDIT= TIMEOUT=0
HWSC0001I NO ACTIVE CLIENTS
HWSC0001I PORT=9998S STATUS=NOT ACTIVE KEEPAV=0 NUMSOC=1 EDIT= TIMEOUT=0
```

```

HWSC0001I  PORT=1111D  STATUS=ACTIVE  KEEPAV=5 NUMSOC=1 EDIT=      TIMEOUT=6000
HWSC0001I  NO ACTIVE CLIENTS
HWSC0001I  PORT=2222D  STATUS=ACTIVE  KEEPAV=0 NUMSOC=1 EDIT=      TIMEOUT=100
HWSC0001I  NO ACTIVE CLIENTS

```

Explanation: The status of all IMS Connect ports is displayed and shows no active clients.

## Example 2: IMS Connect to IMS Connect connections for MSC

For IMS Connect to IMS Connect connections that are used for MSC, the information displayed by VIEWPORT and QUERY PORT commands relates only to the receiving end of the IMS Connect to IMS Connect connection. To view information about the sending side of an IMS Connect to IMS Connect connection, use the VIEWRMT or QUERY RMTIMSCON command.

In the following example output, the VIEWPORT or QUERY PORT command was executed on a local IMS Connect. The command output displays the information for port 9999, on which IMS Connect receives MSC messages. The client connections on the port, MSCC73E0 and MSC0EBB0, are shown under CLIENTID. The LCLPLKID label identifies this port as being used for MSC TCP/IP communication.

```

HWSC0001I  PORT=9999  STATUS=ACTIVE  KEEPAV=0 NUMSOC=3  EDIT=      TIMEOUT=0
HWSC0001I  CLIENTID LCLPLKID STATUS      SECOND CLNTPORT IP-ADDRESS
HWSC0001I  MSCC73E0 MSC12  RECV          6 1026  2001:DB8:0:0:0:0:0/32
HWSC0001I  MSC0EBB0 MSC12  RECV          56 1025  2001:DB8:0:0:0:0:0/32
HWSC0001I  TOTAL CLIENTS=2  RECV=2  READ=0  CONN=0  XMIT=0  OTHER=0

```

## Example 3: IMS Connect to IMS Connect connections for OTMA

If a socket connection between IMS Connect instances is used for OTMA messages, the VIEWPORT or QUERY PORT command output shows relevant port information only when issued at the receiving IMS Connect instance.

In the sending IMS Connect instance, the VIEWPORT or QUERY PORT command does not display port information that is relevant to the IMS Connect to IMS Connect connection. However, the VIEWRMT or QUERY RMTIMSCON command displays the listening port of the receiving IMS Connect, as well as the send client ID associated with the connection. The listening port and send client ID match the information displayed at the receiving installation by the VIEWPORT or QUERY PORT command.

In the receiving IMS Connect instance, the VIEWPORT or QUERY PORT command displays the port that the receiving IMS Connect is listening on and the sending client ID associated with the connection.

The following example shows the output from the VIEWPORT or QUERY PORT command on a receiving IMS Connect instance. The port that the receiving IMS Connect uses for the IMS Connect to IMS Connect connection is identified by PORT=5555. The connection from the sending IMS Connect is identified by the auto-generated client ID, OTM924FA, that is shown under CLIENTID. This CLIENTID value is the same value shown under SENDCLNT at the sending IMS installation. The CLNTPORT is the port that the sending IMS Connect uses to send messages on the connection.

```

HWSC0001I  PORT=5555  STATUS=ACTIVE  KEEPAV=0 NUMSOC=2  EDIT=      TIMEOUT=0
HWSC0001I  CLIENTID USERID TRANCODE DATASTORE STATUS SECOND CLNTPORT IP-ADDRESS  APSB-TOKEN
HWSC0001I  OTM924FA APOL1  APOL11  IMS2  RECV          11 1026  2001:DB8:0:0:0:0:0/32
HWSC0001I  TOTAL CLIENTS=1  RECV=1  READ=0  CONN=0  XMIT=0  OTHER=0

```

## Example 4: An ISC TCP/IP connection to CICS

Command input:

```
F ICON1,QUERY PORT NAME(7777) SHOW(ALL)
```

Command output:

```
HWSC0001I  PORT=7777C  STATUS=ACTIVE  KEEPAV=0  NUMSOC=3  EDIT=      TIMEOUT=0
HWSC0001I  CLIENTID  ISCNAME  STATUS  SECOND  CLNTPORT  IP-ADDRESS
HWSC0001I  ISC33333  LU6TCP2  CONN    14    3579  2001:DB8:0:0:0:0:0/32
HWSC0001I  ISC44444  LU6TCP2  CONN    9    2468  2001:DB8:0:0:0:0:0/32
HWSC0001I  TOTAL CLIENTS=3  RECV=1  CONN=2  XMIT=0  OTHER=0
```

**Related reference:**

“VIEWPORT command” on page 595

 [QUERY IMSCON TYPE\(PORT\) command \(Commands\)](#)

---

## IMS Connect QUERY RMTIMSCON command

Use the IMS Connect z/OS MODIFY command QUERY RMTIMSCON in a local instance of IMS Connect to display information about all connections to a remote instance of IMS Connect.

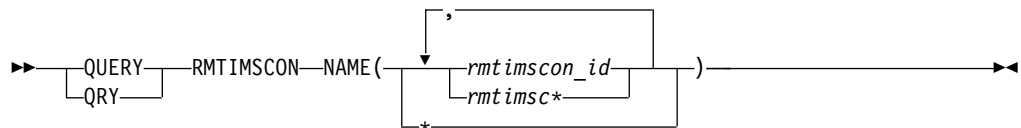
QUERY or QRY is used to query the status or attributes of a specified resource that is managed by IMS Connect. RMTIMSCON, which represents a connection between a local instance of IMS Connect and a remote instance of IMS Connect, is an IMS Connect-managed resource.

The QUERY RMTIMSCON command performs similar functions as the IMS Connect WTOR command VIEWRMT.

Subsections:

- “Syntax”
- “Keywords”
- “Usage” on page 656
- “Equivalent IMS Connect type-2 and WTOR commands” on page 656
- “Output fields” on page 656
- “Examples” on page 659

### Syntax



### Keywords

**NAME(*rmtimscon\_id*)**

The ID of a connection to a remote instance of IMS Connect. The value specified here must match a value specified on the ID parameter of a RMTIMSCON statement that is defined to the local IMS Connect instance. Wildcards (\* and %) are supported in the name.

## Usage

Use the QUERY RMTIMSCON command to display information about the attributes and status of connections with remote instances of IMS Connect and about the sockets that are currently open on the connections.

## Equivalent IMS Connect type-2 and WTOR commands

The following table lists IMS Connect type-2 commands and IMS Connect WTOR commands that perform similar functions as the QUERY RMTIMSCON command.

QUERY RMTIMSCON command	Equivalent IMS Connect type-2 command	Equivalent WTOR command
QUERY RMTIMSCON NAME(*)	QUERY IMSCON TYPE(RMTIMSCON) NAME(*) SHOW(ALL   <i>show_parm</i> )	VIEWRMT ALL
QUERY RMTIMSCON NAME( <i>rmtimscon_name</i> )	QUERY IMSCON TYPE(RMTIMSCON) NAME( <i>rmtimscon_name</i> ) SHOW(ALL   <i>show_parm</i> )	VIEWRMT <i>rmtimscon_name</i>

## Output fields

Output fields that return only a single value are displayed in the format FIELD\_LABEL=VALUE, for example: RMTIMSCON=ICON1.

Output fields that return multiple values, such as the output fields for multiple sockets on a connection, are displayed in a column format, where the field label is a column heading and the values appear under the heading on separate rows in the column. For example:

```
HWSC0001I   SENDCLNT USERID   STATUS SECOND SENDPORT
HWSC0001I   OTM11111 USER01   CONN     100 1111
HWSC0001I   OTM22222 USER01   CONN     89 2222
```

The following list describes the output fields of the QUERY RMTIMSCON command.

### RMTIMSCON=

Identifies a connection between this local IMS Connect instance and a remote instance of IMS Connect. The following additional output fields describe the status, attributes, and sockets that belong to the connection identified in the RMTIMSCON output field:

#### STATUS

The state of the connection displayed in the RMTIMSCON output field. A connection can be in the following states:

##### ACTIVE

This connection has at least one send socket open to a remote IMS Connect instance.

##### NOT ACTIVE

This connection does not have any send sockets open to a remote IMS Connect instance.

##### RETRY CONN

IMS Connect is attempting to automatically reconnect to the remote IMS Connect instance after a previous attempt

to connect failed. If the current reconnection attempt fails, IMS Connect attempts to reconnect again every 2 minutes.

While a connection has a RETRY CONN status, the number of open sockets fluctuates. IMS Connect opens a socket when actively trying to reconnect. IMS Connect closes the socket during the 2-minute interval between reconnection attempts.

#### **STOPPED**

A STOPRMT command stopped communication on this connection. Any messages sent to this connection are rejected and an error is sent back to the sender.

#### **IP-ADDRESS**

The IP address of the IMS Connect instance at the remote end of this connection.

**PORT** The port number used by the remote IMS Connect instance for this connection.

#### **HOSTNAME**

The host name of the remote IMS Connect instance, if available.

#### **AUTOCONN**

Indicates whether IMS Connect automatically establishes send sockets for OTMA communications on this connection during IMS Connect startup. Possible values are:

**Y** Send sockets are automatically established on this connection when IMS Connect starts up. The number of sockets that IMS Connect establishes during startup is displayed in the RESVSOC output field

**N** No sockets are established on this connection during IMS Connect startup. For OTMA messages, send sockets are established upon receipt of a message from OTMA for delivery to the remote IMS system.

#### **PERSISTENT**

Indicates whether the sockets on this connection are persistent.

**Y** The sockets established on this connection are persistent.

**N** The sockets established on this connection are not persistent. After messages are sent on this connection, the sockets that they are sent on are closed.

#### **IDLETO**

The time interval that open sockets on this connection can remain idle before they are closed by IMS Connect.

#### **RESVSOC**

The number of send sockets that are reserved for use by this connection.

#### **NUMSOC**

The number of sockets that are currently open on this connection.

#### **SENDCLNT**

The randomly generated send socket ID. The local instance of IMS Connect uses the ID to uniquely identify the socket. The send

socket ID is used as the client ID when establishing a socket connection with the remote IMS Connect instance.

The send socket IDs that are used for OTMA begin with "OTM."  
The send socket IDs that are used for MSC begin with "MSC."

The values returned for this output field are displayed in tabular format.

If no sockets are currently open on this connection, this output field is not displayed.

#### **LCLPLKID**

The ID of a local MSC physical link that is using this connection. This value is specified on the LCLPLKID parameter of the MSC statement in the IMS Connect configuration member. The LCLPLKID output field is displayed only for connections that are used for MSC communications.

The values returned for this output field are displayed in tabular format.

If no sockets are currently open on this connection, this output field is not displayed.

#### **USERID**

The user ID provided by the local IMS system for transaction authorization by the remote IMS system. The USERID output field is displayed only for connections that are used for OTMA communications.

If no sockets are currently open on this connection, this output field is not displayed.

The values returned for this output field are displayed in tabular format.

#### **STATUS**

The current state of this socket connection. A socket connection can have the following states:

##### **CONN**

This socket connection can send messages to the remote IMS Connect.

**RECV** This socket connection is waiting to receive a response from the remote IMS Connect.

The values returned for this output field are displayed in tabular format.

If no sockets are currently open on this connection, this output field is not displayed.

#### **SECOND**

The number of seconds that this connection has been in the state shown on the same row under the STATUS output field heading.

The values returned for this output field are displayed in tabular format.

If no sockets are currently open on this connection, this output field is not displayed.

## SENDPORT

The local port used for this connection.

The values returned for this output field are displayed in tabular format.

If no sockets are currently open on this connection, this output field is not displayed.

## Examples

### *Example 1 for QUERY RMTIMSCON command*

Command input:

```
F ICON1,QUERY RMTIMSCON NAME(*)
```

Command output:

```
HWSC0001I  RMTIMSCON=CONNECT2 STATUS=ACTIVE
HWSC0001I  IP-ADDRESS=127.0.0.1      PORT=5555
HWSC0001I  HOSTNAME=ICON2.EXAMPLE.COM
HWSC0001I  AUTOCONN=N PERSISTENT=Y
HWSC0001I  IDLETO=6000
HWSC0001I  RESVSOC=10      NUMSOC=2
HWSC0001I  SENDCLNT LCLPLKID STATUS SECOND SENDPORT
HWSC0001I  MSC11111 MSC12   CONN      100 1234
HWSC0001I  MSC22222 MSC12   CONN      89  5678
HWSC0001I  RMTIMSCON=CONNECT3 STATUS=ACTIVE
HWSC0001I  IP-ADDRESS=192.0.2.0      PORT=9999
HWSC0001I  HOSTNAME=ICON3.EXAMPLE.COM
HWSC0001I  AUTOCONN=Y PERSISTENT=Y
HWSC0001I  IDLETO=6000
HWSC0001I  RESVSOC=4      NUMSOC=4
HWSC0001I  SENDCLNT USERID STATUS SECOND SENDPORT
HWSC0001I  OTM11111 USER01  CONN      100 1111
HWSC0001I  OTM22222 USER01  CONN      89  2222
HWSC0001I  OTM33333 USER02  CONN      81  3333
HWSC0001I  OTM44444 USER03  RECV      23  4444
```

### **Related reference:**

“STOPSCLN command” on page 555

“IMS Connect DELETE SENDCLNT command” on page 611

“VIEWRMT command” on page 600

 [QUERY IMSCON TYPE\(RMTIMSCON\) command \(Commands\)](#)

---

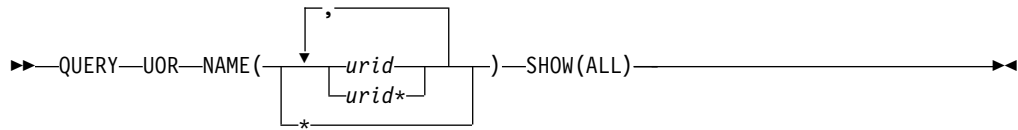
## IMS Connect QUERY UOR command

This command is used to display the current status of the request unit of recovery (UOR) identifier. QUERY UOR performs similar function as the VIEWUOR command.

Subsections:

- “Syntax” on page 660
- “Keywords” on page 660
- “Equivalent IMS Connect type-2 and WTOR commands” on page 660
- “Examples” on page 660

## Syntax



## Keywords

QUERY or QRY is used to query the status or attributes of the specified resource. UOR is an IMS Connect managed resource. QUERY MEMBER is used to display the status of IMS Connect. This command can be issued through the Operations Manager API or through the z/OS modify interface.

### NAME ( )

Specifies the name of the unit of recovery identifier (URID) to be displayed. You can specify a single URID, a wildcard, or a list of URIDs separated by commas. You can specify NAME(\*) for the command to be processed for all UORs.

#### *urid*

Specifies the URID to be displayed.

### SHOW ( )

Specifies the target type to be returned.

#### ALL

Returns all output fields. This is the default.

## Equivalent IMS Connect type-2 and WTOR commands

The following table lists IMS Connect type-2 commands and IMS Connect WTOR commands that perform similar functions as the QUERY UOR command.

QUERY UOR command	Equivalent IMS Connect type-2 command	Equivalent WTOR command
QUERY UOR NAME(*) SHOW(ALL)	QUERY IMSCON TYPE(UOR) NAME(*) SHOW(ALL   <i>show_parm</i> )	VIEWUOR ALL
QUERY UOR NAME( <i>uor_id</i> ) SHOW(ALL)	QUERY IMSCON TYPE(UOR) NAME( <i>uor_id</i> ) SHOW(ALL   <i>show_parm</i> )	VIEWUOR <i>uor_id</i>

## Examples

Query the status of IMS Connect URIDs.

Command input:

```
F HWS1,QRY UOR NAME(*)
```

Command output:

```
HWSC0050I NO ACTIVE UOR
```

**Related reference:**

“VIEWUOR command” on page 604

 [QUERY IMSCON TYPE\(UOR\) command \(Commands\)](#)



---

## IMS Connect SHUTDOWN MEMBER command

This command is used to shut down IMS Connect. SHUTDOWN MEMBER performs similar functions as the CLOSEHWS command.

Subsections:

- “Syntax”
- “Keywords”
- “Equivalent IMS Connect type-2 and WTOR commands”
- “Examples” on page 662

### Syntax

► SHUTDOWN MEMBER OPTION ( QUIESCE  
(FORCE) ) ►

### Keywords

SHUTDOWN or SHUT is used to shutdown a specified resource. MEMBER is an IMS Connect specified managed resource. The command, SHUTDOWN MEMBER, is used to shutdown IMS Connect.

#### OPTION ( )

Specifies the attributes to be stopped.

#### QUIESCE

Specifies that termination is to end all client and data store connections in a controlled manner.

#### FORCE ( )

Specifies that termination is to end all client and data store connections immediately. Immediate termination forces any IMS application that is running with connected clients to abnormally terminate.

### Equivalent IMS Connect type-2 and WTOR commands

The following table lists IMS Connect type-2 commands and IMS Connect WTOR commands that perform similar functions as the SHUTDOWN MEMBER command.

SHUTDOWN MEMBER command	Equivalent IMS Connect type-2 command	Equivalent WTOR command
SHUTDOWN MEMBER	UPDATE IMSCON TYPE(CONFIG) SHUTDOWN(COMM)	CLOSEHWS
SHUTDOWN MEMBER OPTION(FORCE)	UPDATE IMSCON TYPE(CONFIG) SHUTDOWN(COMM) OPTION(FORCE)	CLOSEHWS FORCE
SHUTDOWN MEMBER OPTION(QUIESCE)	UPDATE IMSCON TYPE(CONFIG) SHUTDOWN(COMM) OPTION(QUIESCE)	CLOSEHWS QUIESCE

## Examples

Shutdown HWS with force option.

Command input:

```
F HWS07,SHUTDOWN MEMBER OPTION(FORCE)
```

Command output:

```
HWS07 PURGED
```

Explanation: The HWS member is shut down.

**Related reference:**

 [UPDATE IMSCON TYPE\(CONFIG\) command \(Commands\)](#)

---

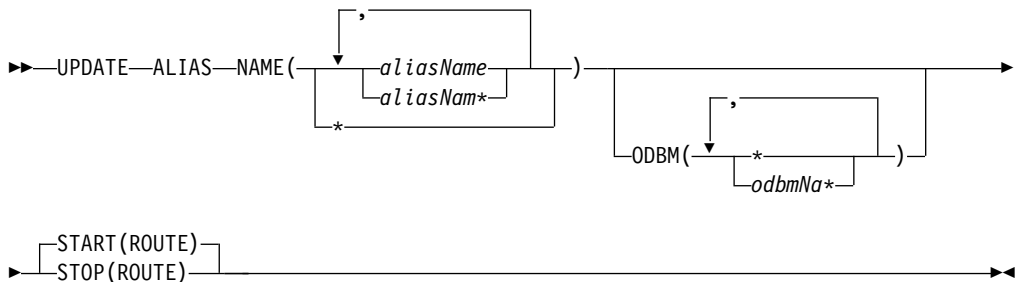
## IMS Connect UPDATE ALIAS command

Use the UPDATE ALIAS command to update the requested IMS alias. The UPDATE ALIAS command performs similar functions as the STARTIA and STOPIA commands.

Subsections:

- “Syntax”
- “Keywords”
- “Equivalent IMS Connect type-2 and WTOR commands” on page 663
- “Examples” on page 663

### Syntax



### Keywords

UPDATE or UPD is used to update the status or attributes of a specified resource. ALIAS is a resource managed by IMS Connect. The command UPDATE ALIAS is used to update the current status of the specified alias.

#### NAME ( )

Specifies the name of the alias to be updated. You can specify a single alias, a wildcard name, or a list of aliases separated by commas. You can specify NAME(\*) for the command to be processed for all aliases.

#### *aliasName*

Specifies the alias to be updated.

**ODBM( )**

Specifies the Open Database Manager (ODBM) name with which the named alias is associated.

**START( )**

Specifies the attributes to be started.

**ROUTE**

Enables message routing to this alias.

**STOP( )**

Specifies the attributes to be stopped.

**ROUTE**

Disables message routing to this alias.

## Equivalent IMS Connect type-2 and WTOR commands

The following table lists IMS Connect type-2 commands and IMS Connect WTOR commands that perform similar functions as the UPDATE ALIAS command.

UPDATE ALIAS command	Equivalent IMS Connect type-2 command	Equivalent WTOR command
UPDATE ALIAS NAME( <i>aliasName</i> ) ODBM( <i>odbmName</i> ) START(ROUTE)	UPDATE IMSCON TYPE(ALIAS) NAME( <i>alias_name</i> ) ODBM( <i>odbm_name</i> ) START(COMM)	STARTIA <i>alias_name</i> <i>odbm_name</i>
UPDATE ALIAS NAME( <i>aliasName</i> ) ODBM( <i>odbmName</i> ) STOP(ROUTE)	UPDATE IMSCON TYPE(ALIAS) NAME( <i>alias_name</i> ) ODBM( <i>odbm_name</i> ) STOP(COMM)	STOPIA <i>alias_name</i> <i>odbm_name</i>

## Examples

Command input:

```
F HWS1,UPD ALIAS NAME(ALI1) STOP(ROUTE)
```

Explanation: The message routing to this alias, ALI1, is disabled.

**Related reference:**

“STARTIA command” on page 535

“STOPIA command” on page 545

 [UPDATE IMSCON TYPE\(ALIAS\) command \(Commands\)](#)

## IMS Connect UPDATE CONVERTER command

Use the UPDATE CONVERTER command to refresh one or more XML converters without restarting IMS Connect.

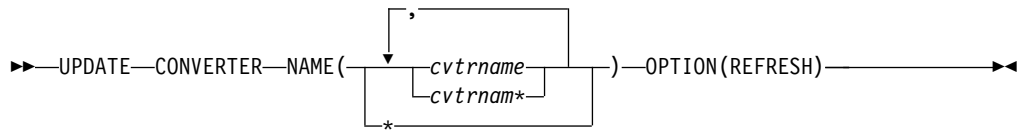
This command is equivalent to the WTOR command REFRESH CONVERTER.

Subsections:

- “Syntax” on page 664
- “Keywords” on page 664
- “Usage notes” on page 664
- “Equivalent IMS Connect type-2 and WTOR commands” on page 664

- “Examples”

## Syntax



## Keywords

The following keywords are valid for the UPDATE CONVERTER command:

### *cvtrname*

Specifies the XML converter for IMS Connect to refresh. The wildcard symbol (\*) is supported for pattern matching. Specifying only a wildcard refreshes all XML converters.

### OPTION(REFRESH)

Required keyword.

## Usage notes

Issue the UPDATE CONVERTER command to IMS Connect with a z/OS modify identifier.

## Equivalent IMS Connect type-2 and WTOR commands

The following table lists IMS Connect type-2 commands and IMS Connect WTOR commands that perform similar functions as the UPDATE CONVERTER command.

UPDATE CONVERTER command	Equivalent IMS Connect type-2 command	Equivalent WTOR command
UPDATE CONVERTER NAME( <i>converter_name</i> ) OPTION(REFRESH)	UPDATE IMSCON TYPE(CONVERTER) NAME( <i>converter_name</i> ) OPTION(REFRESH)	REFRESH CONVERTER NAME( <i>converter_name</i> )

## Examples

Command input:

```
F hws1,UPDATE CONVERTER NAME(IMSPHBKD)
```

Command output:

```
HWSA0375I XML CONVERTER IMSPHBKD WAS SUCCESSFULLY REFRESHED,M=XMLA
```

### Related tasks:

[Configuring XML conversion support for IMS Connect clients \(System Definition\)](#)

### Related reference:

“REFRESH CONVERTER command” on page 525

[UPDATE IMSCON TYPE\(CONVERTER\) command \(Commands\)](#)

---

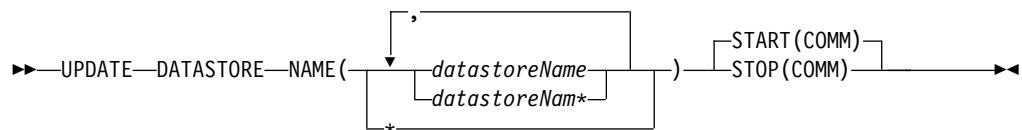
## IMS Connect UPDATE DATASTORE command

The UPDATE DATASTORE command is used to update the requested data store. The UPDATE DATASTORE command performs similar functions as the OPENDS and STOPDS commands.

Subsections:

- “Syntax”
- “Keywords”
- “Equivalent IMS Connect type-2 and WTOR commands”
- “Examples” on page 666

### Syntax



### Keywords

UPDATE or UPD is used to update the status or attributes of a specified resource. DATASTORE is an IMS Connect managed specified resource. The command UPDATE DATASTORE is used to update the current status of the requested data store.

#### NAME ( )

Specifies the name of the data store to be updated. You can specify a single data store, a wildcard name, or a list of data stores separated by commas. You can specify NAME(\*) for the command to be processed for all data stores.

#### *datastoreName*

Specifies the data store to be updated.

#### START ( )

Specifies the attributes to be started.

#### COMM

Starts the communication with the data store.

#### STOP ( )

Specifies the attributes to be stopped.

#### COMM

Stops the communication with the data store.

### Equivalent IMS Connect type-2 and WTOR commands

The following table lists IMS Connect type-2 commands and IMS Connect WTOR commands that perform similar functions as the UPDATE DATASTORE command.

UPDATE DATASTORE command	Equivalent IMS Connect type-2 command	Equivalent WTOR command
UPDATE DATASTORE NAME( <i>datastoreName</i> ) START(COMM)	UPDATE IMSCON TYPE(DATASTORE) NAME( <i>datastore_name</i> ) START(COMM)	OPENDS <i>datastore_id</i> STARTDS <i>datastore_id</i>
UPDATE DATASTORE NAME( <i>datastoreName</i> ) STOP(COMM)	UPDATE IMSCON TYPE(DATASTORE) NAME( <i>datastore_name</i> ) STOP(COMM)	STOPDS <i>datastore_id</i>

## Examples

Command input:

```
F HWS1,UPD DATASTORE NAME(SOCKEYE) STOP(COMM)
```

Command output:

```
HWS028I COMMUNICATION WITH DS=SOCKEYE STOPPED;  
M=DSCM
```

Explanation: The communication with the data store, SOCKEYE, is stopped.

**Related reference:**

“OPENDS command” on page 521

“STARTDS command” on page 534

“STOPDS command” on page 544

 [UPDATE IMSCON TYPE\(DATASTORE\) command \(Commands\)](#)

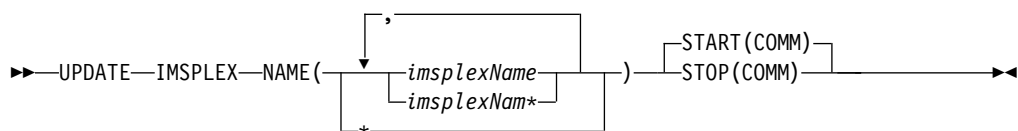
## IMS Connect UPDATE IMSPLEX command

Use the UPDATE IMSPLEX command to stop or start communications between IMS Connect and the specified IMSplex.

Subsections:

- “Syntax”
- “Keywords” on page 667
- “Usage notes” on page 667
- “Equivalent IMS Connect type-2 and WTOR commands” on page 667
- “Examples” on page 668

### Syntax



## Keywords

UPDATE or UPD is used to update the status or attributes of a specified resource. IMSPLEX is a resource managed by IMS Connect. The command UPDATE IMSPLEX is used to update the current status of the specified IMSplex.

### NAME ( )

Specifies the name of the IMSplex to be updated. You can specify a single IMSplex, a wildcard name, or a list of IMSplexes separated by commas. You can specify NAME(\*) for the command to be processed for all IMSplexes.

#### *imsplexName*

Specifies the IMSplex to be updated.

### START ( )

Specifies the attributes to be started.

#### COMM

Starts the communication with the IMSplex.

### STOP ( )

Specifies the attributes to be stopped.

#### COMM

Stops the communication with the IMSplex.

## Usage notes

When the UPDATE IMSPLEX NAME(*imsplexName*) is issued with the STOP(COMM) keyword, work currently in progress for the IMSplex ends and communication with the IMSplex and its threads are terminated. Any messages in progress are rejected and an error message is returned to the requester. STOPIP can also be used for any error situation that requires immediate termination of communication with the IMSplex.

If IMS Connect supports ISC TCP/IP links and the STOP(COMM) keyword is used, IMS Connect sends a notification to IMS for each ISC link to inform IMS that all of the ISC parallel sessions are terminated on the ISC link.

If IMS Connect supports MSC IMS-to-IMS TCP/IP connections and the STOP(COMM) keyword is used, IMS Connect sends a notification to IMS for each MSC physical link to inform IMS that all of the MSC logical links are terminated on the physical link.

Use the START(COMM) keyword to start communication with the IMSplex at a later time.

## Equivalent IMS Connect type-2 and WTOR commands

The following table lists IMS Connect type-2 commands and IMS Connect WTOR commands that perform similar functions as the UPDATE IMSPLEX command.

UPDATE IMSPLEX command	Equivalent IMS Connect type-2 command	Equivalent WTOR command
UPDATE IMSPLEX NAME( <i>imsplex_name</i> ) START(COMM)	UPDATE IMSCON TYPE(IMSPLEX) NAME( <i>imsplex_name</i> ) START(COMM)	OPENIP <i>imsplex_id</i> STARTIP <i>imsplex_id</i>

UPDATE IMSPLEX command	Equivalent IMS Connect type-2 command	Equivalent WTOR command
UPDATE IMSPLEX NAME( <i>imsplex_name</i> ) STOP(COMM)	UPDATE IMSCON TYPE(IMSPLEX) NAME( <i>imsplex_name</i> ) STOP(COMM)	STOPIP <i>imsplex_id</i>

## Examples

Command input:

```
F HWS1,UPD IMSPLEX NAME(PLEX1) STOP(COMM)
```

Command output:

```
HWSM0584I COMMUNICATION WITH IMSPLEX=PLEX1 STOPPED; M=DSCM
```

Explanation: The communication with the IMSplex, PLEX1, is stopped.

**Related reference:**

“OPENIP command” on page 522

“STARTIP command” on page 536

“STOPIP command” on page 547

 [UPDATE IMSCON TYPE\(IMSPLEX\) command \(Commands\)](#)

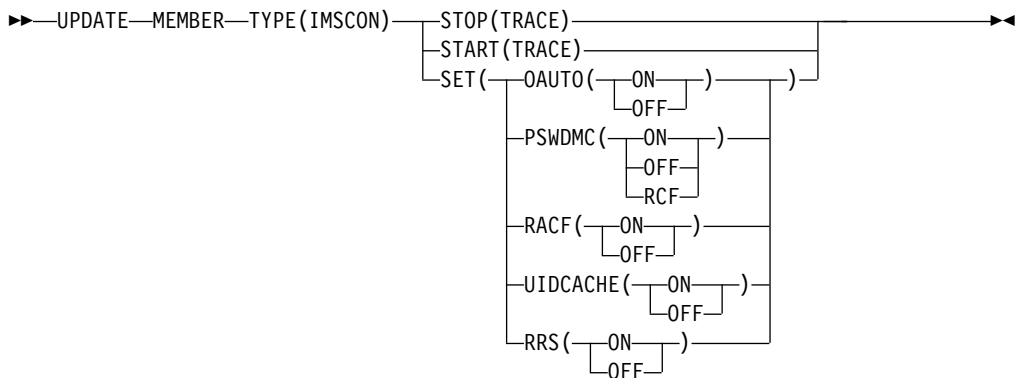
## IMS Connect UPDATE MEMBER command

The UPDATE MEMBER command is used to update the attributes of IMS Connect.

Subsections:

- “Syntax”
- “Keywords” on page 669
- “Equivalent IMS Connect type-2 and WTOR commands” on page 670
- “Examples” on page 671

### Syntax





## Keywords

UPDATE or UPD is used to update the status or attributes of a specified resource. MEMBER is an IMS Connect managed resource. The command, UPDATE MEMBER, is used to update the status of IMS Connect.

### TYPE( )

Specifies the target type for action.

#### IMSCON

Specifies IMS Connect as the target type.

### START( )

Specifies the attributes to be started.

#### TRACE

Specifies that the line trace will be started.

### STOP( )

Specifies the attributes to be stopped.

#### TRACE

Specifies that the line trace will be stopped.

### SET

Specifies the attribute values to be changed.

#### OAUTO( )

Specifies the attribute to be set.

**ON** Enables IMS Connect to automatically register with all current ODBMs and future ODBMs that enter the IMSplex.

**OFF** Disables IMS Connect from automatically registering with any future ODBMs that enter the IMSplex.

#### PSWDMC( )

Specifies the IMS Connect support for mixed-case passwords.

**ON** Enables IMS Connect support for mixed-case passwords.

**OFF** Disables IMS Connect support for mixed-case passwords. IMS Connect converts any lowercase characters in passwords to uppercase characters.

**RCF** IMS Connect support for mixed-case passwords is determined by the mixed-case password specification in RACF. If RACF does not support mixed-case passwords, IMS Connect converts any lowercase characters in passwords to uppercase characters.

#### RACF( )

Specifies whether IMS Connect will use RACF security.

**ON** Enables the RACF user identification and verification.

**OFF** Disables the RACF user identification and verification.

#### UIDCACHE( )

Specifies whether IMS Connect stores verified RACF user IDs in a cache. This keyword performs the same function as the WTOR command SETUIDC.

**Restriction:** This keyword is valid only if RACF security support is enabled.

**ON** Enables the RACF user ID cache.

**OFF** Disables the RACF user ID cache.

**RRS ( )**

Specifies the attributes to be set.

**ON** Enables communication between IMS Connect and z/OS Resource Recovery Services (RRS). RRS is required for two-phase-commit support.

**OFF** Disables communication between IMS Connect and RRS.

## Equivalent IMS Connect type-2 and WTOR commands

The following table lists IMS Connect type-2 commands and IMS Connect WTOR commands that perform similar functions as the UPDATE MEMBER command.

<b>UPDATE MEMBER command</b>	<b>Equivalent IMS Connect type-2 command</b>	<b>Equivalent WTOR command</b>
UPDATE MEMBER TYPE(IMSCON) SET(OAUTO(ON))	UPDATE IMSCON TYPE(CONFIG) SET(OAUTO(ON))	SETOAUTO YES
UPDATE MEMBER TYPE(IMSCON) SET(OAUTO(OFF))	UPDATE IMSCON TYPE(CONFIG) SET(OAUTO(OFF))	SETOAUTO NO
UPDATE MEMBER TYPE(IMSCON) SET(PSWDMC(ON))	UPDATE IMSCON TYPE(CONFIG) SET(PSWDMC(ON))	SETPWMC ON
UPDATE MEMBER TYPE(IMSCON) SET(PSWDMC(OFF))	UPDATE IMSCON TYPE(CONFIG) SET(PSWDMC(OFF))	SETPWMC OFF
UPDATE MEMBER TYPE(IMSCON) SET(PSWDMC(RCF))	UPDATE IMSCON TYPE(CONFIG) SET(PSWDMC(RCF))	SETPWMC RCF
UPDATE MEMBER TYPE(IMSCON) SET(RACF(ON))	UPDATE IMSCON TYPE(CONFIG) SET(RACF(ON))	SETRACF ON
UPDATE MEMBER TYPE(IMSCON) SET(RACF(OFF))	UPDATE IMSCON TYPE(CONFIG) SET(RACF(OFF))	SETRACF OFF
UPDATE MEMBER TYPE(IMSCON) SET(RRS(ON))	UPDATE IMSCON TYPE(CONFIG) SET(RRS(ON))	SETRRS ON
UPDATE MEMBER TYPE(IMSCON) SET(RRS(OFF))	UPDATE IMSCON TYPE(CONFIG) SET(RRS(OFF))	SETRRS OFF
UPDATE MEMBER TYPE(IMSCON) SET(UIDCACHE(ON))	UPDATE IMSCON TYPE(CONFIG) SET(UIDCACHE(ON))	SETUIDC ON
UPDATE MEMBER TYPE(IMSCON) SET(UIDCACHE(OFF))	UPDATE IMSCON TYPE(CONFIG) SET(UIDCACHE(OFF))	SETUIDC OFF
UPDATE MEMBER TYPE(IMSCON) START(TRACE)	UPDATE IMSCON TYPE(CONFIG) START(RECORDER)	RECORDER OPEN

UPDATE MEMBER command	Equivalent IMS Connect type-2 command	Equivalent WTOR command
UPDATE MEMBER TYPE(IMSCON) STOP(TRACE)	UPDATE IMSCON TYPE(CONFIG) STOP(RECORDER)	RECORDER CLOSE

## Examples

Command input:

```
F HWS1,UPD MEMBER TYPE(IMSCON) SET(RACF(OFF))
```

Command output: None.

Command input:

```
F HWS1,QUERY MEMBER TYPE(IMSCON) SHOW(ALL)
```

Command output:

```
HWSC0001I HWS ID=HWS1 RACF=N
```

Explanation: RACF security check is turned off.

Command input:

```
F HWS1,UPDATE MEMBER TYPE(IMSCON) SET(UIDCACHE(ON))
```

Command output:

```
HWSP1501I RACF USERID CACHING ENABLED,M=SDRC
```

Explanation: The RACF user ID cache is now enabled.

### Related reference:

“RECORDER command” on page 524

“SETOAUTO command” on page 528

“SETPWMC command” on page 529

“SETRACF command” on page 531

“SETRRS command” on page 532

“SETUIDC command” on page 533

 [UPDATE IMSCON TYPE\(CONFIG\) command \(Commands\)](#)

---

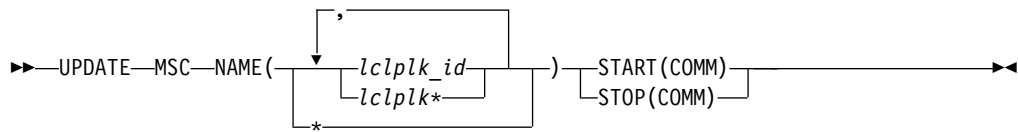
## IMS Connect UPDATE MSC command

Use the UPDATE MSC command in a local IMS Connect instance to start or stop the communications on an MSC physical link that is defined to the IMS Connect instance. The command performs similar functions as the STARTMSC and STOPMSC commands.

Subsections:

- “Syntax” on page 672
- “Keywords” on page 672
- “Usage” on page 672
- “Equivalent IMS Connect type-2 and WTOR commands” on page 673
- “Examples” on page 673

## Syntax



## Keywords

UPDATE or UPD is used to update the status or attributes of a specified resource. MSC represents an MSC physical link definition that is a resource managed by IMS Connect. The command UPDATE MSC is used to update the current status of the specified MSC physical link.

### NAME ( )

The name of the MSC physical link to be updated, as defined to the local IMS Connect instance on the LCLPLKID parameter of the MSC configuration statement. You can specify a single MSC physical link name, a list of MSC physical link names separated by commas, or a partial name with a wildcard character. You can specify NAME(\*) for the command to be executed against all MSC physical links defined to an IMS Connect instance.

### START ( )

Specifies the attributes to be started.

#### COMM

Starts communications on the MSC physical link.

### STOP ( )

Specifies the attributes to be stopped.

#### COMM

Stops communication on the MSC physical link.

## Usage

When the UPDATE MSC command is issued with the STOP(COMM) keyword, IMS Connect:

- Stops communication on the specified MSC physical link, including communications on all the MSC logical links that are assigned to the physical link
- Informs IMS that communication has stopped on the physical link so that IMS can also terminate the physical link and any logical links that are assigned to the physical link
- Changes the status of the MSC physical link and its assigned logical links to NOT ACTIVE
- For TCP/IP generic resources, clears affinity of a physical link to the IMS system
- Issues message HWSF3305I

When the UPDATE MSC command is issued with the START(COMM) keyword, IMS Connect:

- Resumes communications on the specified MSC physical link
- Changes the status of the MSC physical link to ACTIVE
- Issues message HWSF3300I

Use the QUERY MSC command or the VIEWMSC command to display information about MSC physical links that are defined to IMS Connect.

## Equivalent IMS Connect type-2 and WTOR commands

The following table lists IMS Connect type-2 commands and IMS Connect WTOR commands that perform similar functions as the UPDATE MSC command.

UPDATE MSC command	Equivalent IMS Connect type-2 command	Equivalent WTOR command
UPDATE MSC NAME( <i>lclPlkid</i> ) START(COMM)	UPDATE IMSCON TYPE(MSC) NAME( <i>lclPlkid</i> ) START(COMM)	STARTMSC <i>lclPlkid</i>
UPDATE MSC NAME( <i>lclPlkid</i> ) STOP(COMM)	UPDATE IMSCON TYPE(MSC) NAME( <i>lclPlkid</i> ) STOP(COMM)	STOPMSC <i>lclPlkid</i>

## Examples

UPDATE MSC command input when the STOP(COMM) keyword is specified:  
 F ICON1,UPDATE MSC NAME(MSC12) STOP(COMM)

UPDATE MSC command output when the STOP(COMM) keyword is specified:  
 HWSF3305I COMMUNICATIONS ON MSC PHYSICAL LINK MSC12 STOPPED; M=mc


UPDATE MSC command input when the START(COMM) keyword is specified:  
 F ICON1,UPDATE MSC NAME(MSC12) START(COMM)

UPDATE MSC command output when the START(COMM) keyword is specified:  
 HWSF3300I COMMUNICATIONS ON MSC PHYSICAL LINK MSC12 STARTED; M=mc

### Related reference:

“STARTMSC command” on page 538

“STOPMSC command” on page 550

 UPDATE IMSCON TYPE(MSC) command (Commands)

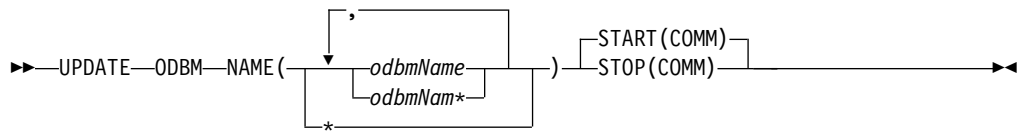
## IMS Connect UPDATE ODBM command

Use the UPDATE ODBM command to update the requested ODBM. The UPDATE ODBM command performs similar functions as the STARTOD and STOPOD commands.

Subsections:

- “Syntax” on page 674
- “Keywords” on page 674
- “Examples” on page 674

## Syntax



## Keywords

UPDATE or UPD is used to update the status or attributes of a specified resource. ODBM is a resource managed by IMS Connect. The command UPDATE ODBM is used to update the current status of the specified ODBM.

### NAME ( )

Specifies the name of the ODBM to be updated. You can specify a single ODBM, a wildcard name, or a list of ODBMs separated by commas. You can specify NAME(\*) for the command to be processed for all ODBMs.

#### *odbmName*

Specifies the ODBM to be updated.

### START ( )

Specifies the attributes to be started.

#### COMM

Starts the communication with the ODBM.

### STOP ( )

Specifies the attributes to be stopped.

#### COMM

Stops the communication with the ODBM.

## Equivalent IMS Connect type-2 and WTOR commands

The following table lists IMS Connect type-2 commands and IMS Connect WTOR commands that perform similar functions as the UPDATE ODBM command.

UPDATE ODBM command	Equivalent IMS Connect type-2 command	Equivalent WTOR command
UPDATE ODBM NAME( <i>odbmName</i> ) START(COMM)	UPDATE IMSCON TYPE(ODBM) NAME( <i>odbm_name</i> ) START(COMM)	STARTOD <i>odbm_name</i>

## Examples

Command input:

```
F HWS1,UPD ODBM NAME(ODBM10D) STOP(COMM)
```

Command output:

```
HWSN1985I COMMUNICATION WITH ODBM=ODBM10D CLOSED; M=DSCM
```

Explanation: The communication with the ODBM, ODBM10D, is stopped.

**Related reference:**

“STARTOD command” on page 539

“STOPOD command” on page 551

➡ UPDATE IMSCON TYPE(ODBM) command (Commands)

---

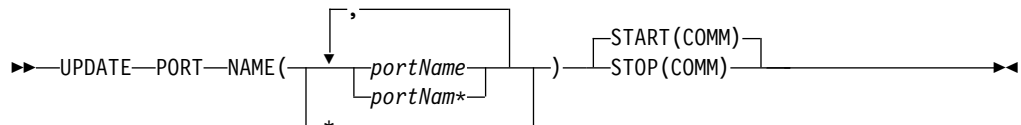
## IMS Connect UPDATE PORT command

This command is used to update the port that is used by IMS Connect. UPDATE PORT performs similar functions as the OPENPORT and STOPPORT commands.

Subsections:

- “Syntax”
- “Keywords”
- “Equivalent IMS Connect type-2 and WTOR commands”
- “Examples” on page 676

### Syntax



### Keywords

UPDATE or UPD is used to update the status or attributes of a specified resource. PORT is an IMS Connect managed resource. The command, UPDATE PORT, is used to update the status of a requested port.

#### NAME ( )

Specifies the port name to be updated. You can specify a single port, a wildcard name, or a list of port names separated by commas. You can specify name(\*) for the command to be processed for all ports.

#### *portName*

Specifies the port to be displayed.

#### START ( )

Specifies the attributes to be started.

#### COMM

Starts the communication with the TCP/IP port.

#### STOP ( )

Specifies the attributes to be stopped.

#### COMM

Stops the communication with the TCP/IP port.

### Equivalent IMS Connect type-2 and WTOR commands

The following table lists IMS Connect type-2 commands and IMS Connect WTOR commands that perform similar functions as the UPDATE PORT command.

UPDATE PORT command	Equivalent IMS Connect type-2 command	Equivalent WTOR command
UPDATE PORT NAME( <i>port_name</i> ) START(COMM)	UPDATE IMSCON TYPE(PORT) NAME( <i>port_name</i> ) START(COMM)	OPENPORT <i>port_id</i> STARTPT <i>port_id</i>
UPDATE PORT NAME( <i>port_name</i> ) STOP(COMM)	UPDATE IMSCON TYPE(PORT) NAME( <i>port_name</i> ) STOP(COMM)	STOPPORT <i>port_id</i>

## Examples

Command input:

```
F HWS1,UPD PORT NAME(9999) STOP(COMM)
```

Command output:

```
HWSS0770I LISTENING ON PORT=9999 TERMINATED;  
M=SSCH
```

Explanation: The port has been updated.

**Related reference:**

“OPENPORT command” on page 523

“STARTPT command” on page 540

“STOPPORT command” on page 552

 [UPDATE IMSCON TYPE\(PORT\) command \(Commands\)](#)

## IMS Connect UPDATE RACFUID command

Use the UPDATE RACFUID command to refresh one or more cached IDs stored in the IMS Connect RACF user ID cache.

This command performs the same function as the WTOR command REFRESH RACFUID.

Subsections:

- “Syntax”
- “Keywords”
- “Usage notes” on page 677
- “Equivalent IMS Connect type-2 and WTOR commands” on page 677
- “Examples” on page 677

### Syntax

```
►► UPDATE RACFUID NAME ( uidname ) OPTION ( REFRESH ) ◀◀
```

### Keywords

The following keywords are valid for the UPDATE RACFUID command:



**uidname**

Specifies the RACF user ID for IMS Connect to refresh.

**OPTION(REFRESH)**

Required keyword.

**Usage notes**

Issue the UPDATE RACFUID command to IMS Connect with a z/OS modify identifier.

**Equivalent IMS Connect type-2 and WTOR commands**

The following table lists IMS Connect type-2 commands and IMS Connect WTOR commands that perform similar functions as the UPDATE RACFUID command.

UPDATE RACFUID command	Equivalent IMS Connect type-2 command	Equivalent WTOR command
UPDATE RACFUID NAME( <i>userid</i> ) OPTION(REFRESH)	UPDATE IMSCON TYPE(RACFUID) NAME( <i>userid</i> ) OPTION(REFRESH)	REFRESH RACFUID NAME( <i>userid</i> )

**Examples**

Command input:

```
F HWS1,UPDATE RACFUID NAME(USRT001)
```

Command output:

```
HWSP1504I RACF USERID USRT001 WAS SUCCESSFULLY REFRESHED,M=SDRC
```

**Related concepts:**

 [IMS Connect RACF user ID cache \(Communications and Connections\)](#)

**Related reference:**

[“REFRESH RACFUID command” on page 527](#)

 [UPDATE IMSCON TYPE\(RACFUID\) command \(Commands\)](#)

---

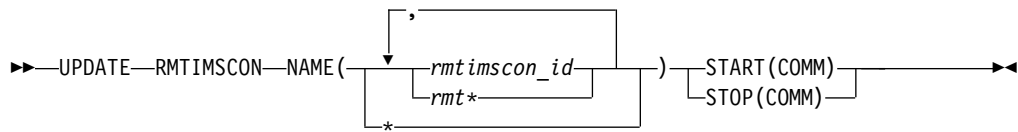
**IMS Connect UPDATE RMTIMSCON command**

Use the z/OS MODIFY command UPDATE RMTIMSCON in a local IMS Connect instance to start or stop the communications with a remote IMS Connect instance. The command performs similar functions as the WTOR commands STARTRMT and STOPRMT.

Subsections:

- [“Syntax” on page 678](#)
- [“Keywords” on page 678](#)
- [“Usage” on page 678](#)
- [“Equivalent IMS Connect type-2 and WTOR commands” on page 679](#)
- [“Examples” on page 679](#)

## Syntax



## Keywords

UPDATE or UPD is used to update the status or attributes of a specified resource. RMTIMSCON represents a connection to a remote IMS Connect instance. The connection is a resource managed by IMS Connect. The command UPDATE RMTIMSCON is used to update the current status of the specified connection.

### NAME ( )

The name of the remote IMS Connect connection to be updated, as specified on the ID parameter of the RMTIMSCON statement that defines the connection to the local IMS Connect instance. You can specify a single connection, a list of connections separated by commas, or a partial name with a wildcard character. Specify NAME(\*) to issue the command against all remote IMS Connect connections defined to the local IMS Connect instance.

### START ( )

Specifies the attributes to be started.

#### COMM

Starts communications on the specified remote IMS Connect connections.

### STOP ( )

Specifies the attributes to be stopped.

#### COMM

Stops the communication on the specified remote IMS Connect connections.

## Usage

When the UPDATE RMTIMSCON command is issued with the START(COMM) keyword, IMS Connect resumes communications on the specified connection to a remote IMS Connect instance. IMS Connect changes the status of the connection to NOT ACTIVE until new sockets are opened for communications with the remote instance of IMS Connect.

The UPDATE RMTIMSCON START(COMM) command is required only when communications on a connection with a remote IMS Connect instance have been previously stopped by either a STOPRMT command or an UPDATE RMTIMSCON STOP(COMM) command.

If the specified RMTIMSCON connection is defined with AUTOCONN=Y, when the UPDATE RMTIMSCON START(COMM) command is issued, IMS Connect automatically creates socket connections to the remote IMS Connect. The number of socket connections that IMS Connect opens is determined by the RESVSOC parameter of the RMTIMSCON configuration statement.

OTMA communications can resume as soon as IMS Connect processes the UPDATE RMTIMSCON START(COMM) command.

For MSC communications, if MSC communications were also stopped in IMS Connect by a STOPMSC command, after you issue the UPDATE RMTIMSCON START(COMM) command, you must also issue either the STARTMSC command or the UPDATE MSC START(COMM) command to reestablish the MSC physical link with the remote IMS Connect.

When the UPDATE RMTIMSCON command is issued with the STOP(COMM) keyword, IMS Connect completes the following operations:

- Stops all communications with a remote IMS Connect instance on the connection specified in the command.
- Informs IMS that the connection to the remote IMS Connect instance has been stopped so that IMS can shut down the affected MSC logical links.
- Terminates existing socket connections and prevents new socket connections until either a STARTRMT command or an UPDATE RMTIMSCON START(COMM) command is issued.
- Changes the status of the connection to STOPPED.
- Issues message HWST3505I.

After the UPDATE RMTIMSCON STOP(COMM) command is issued, if IMS Connect receives a message for the connection in the STOPPED state, IMS Connect returns a NAK response to OTMA and issues message HWST3575W. OTMA retains the message at the front of the queue.

Use the QUERY RMTIMSCON command to display information about the current connections to a remote IMS Connect instance that are defined to the local IMS Connect instance.

## Equivalent IMS Connect type-2 and WTOR commands

The following table lists IMS Connect type-2 commands and IMS Connect WTOR commands that perform similar functions as the UPDATE RMTIMSCON command.

UPDATE RMTIMSCON command	Equivalent IMS Connect type-2 command	Equivalent WTOR command
UPDATE RMTIMSCON NAME( <i>rmtimsconName</i> ) START(COMM)	UPDATE IMSCON TYPE(RMTIMSCON) NAME( <i>rmtimscon_name</i> ) START(COMM)	STARTRMT <i>rmtimsconName</i>
UPDATE RMTIMSCON NAME( <i>rmtimsconName</i> ) STOP(COMM)	UPDATE IMSCON TYPE(RMTIMSCON) NAME( <i>rmtimscon_name</i> ) STOP(COMM)	STOPRMT <i>rmtimsconName</i>

## Examples

Command input for UPDATE RMTIMSCON STOP(COMM):

```
F ICON1,UPDATE RMTIMSCON NAME(CONNECT2) STOP(COMM)
```

Command output for UPDATE RMTIMSCON STOP(COMM):

```
HWST3505I COMMUNICATIONS WITH REMOTE IMS CONNECT CONNECT2 STOPPED; M=TSCH
```

Command input for UPDATE RMTIMSCON START(COMM):

F ICON1,UPDATE RMTIMSCON NAME(CONNECT2) START(COMM)

Command output for UPDATE RMTIMSCON START(COMM):

HWST3500I COMMUNICATIONS WITH REMOTE IMS CONNECT CONNECT2 STARTED; M=TSCH

**Related reference:**

“STARTRMT command” on page 541

“STOPRMT command” on page 554

 [UPDATE IMSCON TYPE\(RMTIMSCON\) command \(Commands\)](#)

---

## Part 7. IMS control region commands

Use the IMS control region commands to work with the IMS region.

- Chapter 26, "MODIFY imsproc commands," on page 683



---

## Chapter 26. MODIFY imsproc commands

Use the MODIFY (F) *imsproc* commands to control an IMS region.

**Related reference:**

Chapter 35, “TRACE CT command,” on page 727

---

### F jobname,DUMP

The MODIFY (F) *jobname,DUMP* command forces a termination of IMS with an offline dump.

#### Syntax

►► — F ————— *jobname,DUMP* ————— ►►  
      └─MODIFY─┘

#### Usage notes

For DBCTL, the following are abended, but are not rolled back until the following /ERESTART command:

- Active threads
- BMPs
- DEDB utilities

#### Example

Entry z/OS SC:

```
F jobname,DUMP
```

Response z/OS SC:

```
DFS628I ABNORMAL TERMINATION SCHEDULED  
DFS629I IMS STM TCB ABEND - IMS 0020
```

---

### F jobname,DUMPxxxx

The MODIFY (F) *jobname,DUMPxxxx* command causes one or more attached external subsystem connections to be terminated with a dump. “External subsystem” here means a non-CCTL subsystem.

#### Syntax

►► — F ————— *jobname,DUMPxxxx* ————— ►►  
      └─MODIFY─┘

#### Usage notes

If *xxxx* is specified as ESS, the parent external subsystem task and all external subsystem subtasks are terminated. If *xxxx* is a specific external subsystem name, only that external subsystem is terminated. The subsystem specified must be

defined in the IMS external subsystem PROCLIB member.

## Examples

Here are some examples of using the F jobname,DUMPxxxx command.

### Example 1 for F jobname,DUMPxxxx

Entry z/OS SC:

```
F jobname,DUMPname
```

Response z/OS SC:

```
DFS628I ABNORMAL TERMINATION SCHEDULED
DFS629I IMS ESI TCB DUMP - IMS 0020 IES
DFS3611I EXTERNAL SUBSYSTEM name CONNECTION TERMINATED
```

### Example 2 for F jobname,STOPxxxx

Entry z/OS SC:

```
F jobname,DUMPESS
```

Response z/OS SC:

```
DFS628I ABNORMAL TERMINATION SCHEDULED
DFS629I IMS ESS TCB DUMP - IMS 0020
DFS629I IMS ESS TCB DUMP - IMS 4095 IES
DFS3611I EXTERNAL SUBSYSTEM name CONNECTION TERMINATED
```

---

## F jobname,FORCExxxx

The MODIFY (F) jobname,FORCExxxx command causes one or more attached external subsystem connections to be terminated without a dump.

### Syntax

```
►► ┌── F ──┐ ── jobname, FORCExxxx ──►►
    └─MODIFY─┘
```

### Usage notes

If xxxx is specified as ESS, the parent external subsystem task and all external subsystem subtasks are terminated. If xxxx is a specific external subsystem name, only that external subsystem is terminated. The subsystem specified must be defined in the IMS external subsystem PROCLIB member.

The FORCE option is not applicable to any other IMS task, for example, to the control task. IMS does not communicate with the external subsystem termination exits, for example, terminate subsystem exits and terminate identify exits.

The reason IMS does not communicate is to enable the installation to break the IMS-to-other-subsystem connection in the event of an error (such as a WAIT STATE) in the external subsystem. If IMS were to invoke one of the exits, as it does with the STOP/DUMP options, the exit can once again start a WAIT STATE, and not enable the termination of that subsystem connection.



Use the FORCE option when either STOP or DUMP fails to break the subsystem connection.

## Examples

Here are some examples of using the F jobname,FORCExxxx command.

### *Example 1 for F jobname,FORCExxxx*

Entry z/OS SC:

```
F jobname,FORCEname
```

Response z/OS SC:

```
DFS628I ABNORMAL TERMINATION SCHEDULED
DFS629I IMS ESI TCB DUMP - IMS 0020 IES
DFS3611I EXTERNAL SUBSYSTEM name CONNECTION TERMINATED
```

### *Example 2 for F jobname,FORCExxxx*

Entry z/OS SC:

```
F jobname,FORCEESS
```

Response z/OS SC:

```
DFS628I ABNORMAL TERMINATION SCHEDULED
DFS629I IMS ESS TCB DUMP - IMS 0020
DFS629I IMS ESS TCB DUMP - IMS 4095 IES
DFS3611I EXTERNAL SUBSYSTEM name CONNECTION TERMINATED
```

---

## F jobname,RECONNECT

The MODIFY (F) jobname,RECONNECT command causes the IMS system on which it is entered to be reconnected to a restarted IRLM.

### Syntax

```
►► ┌── F ──┐ ── jobname,RECONNECT ──►►
    └──MODIFY──┘
```

### Usage notes

*jobname* is the job name or procedure name for the IMS control region. When this command is successfully completed, a message indicating that the IRLM has been reconnected is sent to both the IMS master terminal operator and the z/OS console operator. Then the IMS MTO can start any Fast Path DEDB areas that were involved in block-level sharing at the time of the IRLM failure.

### Example

In this example, two IMS subsystems are connected to the same IRLM when it terminates.

z/OS SYSTEM SC RECEIVES:

```
DXR121I KRLM212 END-OF-TASK CLEAN-UP SUCCESSFUL - HI-CSA 410K -
HI-ACCT-CSA 0K
```

IMS 1 MT RECEIVES:  
DFS2500I IMSA DATABASE dbname SUCCESSFULLY DEALLOCATED

IMS 2 MT RECEIVES:  
DFS2500I IMSB DATABASE dbname SUCCESSFULLY DEALLOCATED

z/OS SYSTEM SC:  
S KRLM1

z/OS SYSTEM SC RECEIVES:  
DXR180I KRLM212 AUTOMATIC RESTART MANAGER IS NOT ENABLED  
OR  
DXR172I KRLM212 armentname ARM READY COMPLETED  
DXR117I KRLM212 INITIALIZATION COMPLETE

z/OS SYSTEM SC:  
F jobname,RECONNECT

IMS 1 MT AND z/OS SYSTEM SC RECEIVE:  
DFS626I KRLM RECONNECT COMMAND SUCCESSFUL. IMSA

z/OS SYSTEM SC:  
F jobname,RECONNECT

IMS 1 MT AND z/OS SYSTEM SC RECEIVE:  
DFS626I KRLM RECONNECT COMMAND SUCCESSFUL. IMSB

IMS MT:  
/START AREA areaname

Explanation: The IRLM has abnormally terminated. When the IRLM has been successfully restarted, the z/OS operator modifies the IMS systems to reconnect to the restarted IRLM. The areas can then be restarted using the /START AREA command.

---

## F jobname,RECONNSTR

Use this command to cause the IMS subsystem on which you enter it to reconnect to IRLM, OSAM, and VSAM coupling facility structures.

### Syntax

►► — F ———— jobname,RECONNSTR —————►►  
    └—MODIFY—┘

### Usage notes

*jobname* is the job name or procedure name for the IMS control region.

### Example

Entry z/OS SC:  
F jobname,RECONNSTR

Explanation: If the connection to IRLM, OSAM, or VSAM structures has abnormally terminated, usually IMS automatically reconnects to these structures. If IMS does not reconnect to the structures, the operator can use this command to ensure IMS reconnects to them.

---

## F jobname,STOP

The MODIFY (F) jobname,STOP command forces a termination of IMS without a dump.

### Syntax

►► — F ——— jobname,STOP ————— ►►  
      └─┬─┘  
      MODIFY

### Usage notes

Active threads, BMPs, and DEDB utilities are abended, but not rolled back until the following /ERESTART command.

Normally, IMS is terminated with an IMS /CHECKPOINT shutdown command. Whenever it becomes necessary to force termination of IMS, the z/OS MODIFY command should be used. When MODIFY is used, a dump of the IMS control region can be requested. (Consult the appropriate z/OS operator's guide for specific MODIFY formats.)

### Example

Entry z/OS SC:

```
F jobname,STOP
```

Response z/OS SC:

```
DFS628I ABNORMAL TERMINATION SCHEDULED  
DFS629I IMS STM TCB ABEND - IMS 0020
```

---

## F jobname,STOPxxxx

The MODIFY (F) jobname,STOPxxxx command causes one or more attached external subsystem connections to be terminated without a dump. "External subsystems" here refer to non-CCTL subsystems.

### Syntax

►► — F ——— jobname,STOPxxx ————— ►►  
      └─┬─┘  
      MODIFY

### Usage notes

If xxxx is specified as ESS, the parent external subsystem task and all external subsystem subtasks are terminated. If xxxx is a specific external subsystem name, only that external subsystem is terminated. The subsystem specified must be defined in the IMS external subsystem PROCLIB member.

When this command is issued, MPP regions must be brought down and back up again (recycled).

## Examples

Here are some examples of using the F jobname,STOPxxxx command.

### *Example 1 for F jobname,STOPxxxx*

Entry z/OS SC:

```
F jobname,STOPname
```

Response z/OS SC:

```
DFS628I ABNORMAL TERMINATION SCHEDULED  
DFS629I IMS ESI TCB DUMP - IMS 0020 IES  
DFS3611I EXTERNAL SUBSYSTEM name CONNECTION TERMINATED
```

### *Example 2 for F jobname,STOPxxxx*

Entry z/OS SC:

```
F jobname,STOPESS
```

Response z/OS SC:

```
DFS628I ABNORMAL TERMINATION SCHEDULED  
DFS629I IMS ESS TCB DUMP - IMS 0020  
DFS629I IMS ESS TCB DUMP - IMS 4095 IES  
DFS3611I EXTERNAL SUBSYSTEM name CONNECTION TERMINATED
```

---

## Part 8. IMS Transport Manager Subsystem commands

Transport Manager Subsystem (TMS) commands can be issued either from a SYSIN data set as an automated process during component start or from a z/OS console by using the z/OS MODIFY command (F procname,command).

TMS command information includes:

- Chapter 27, "DEFINE command," on page 691
- Chapter 28, "DISPLAY command," on page 693
- Chapter 29, "SET command," on page 701
- Chapter 30, "START command," on page 703
- Chapter 31, "STOP command," on page 705



---

## Chapter 27. DEFINE command

Use the DEFINE command to define one or more Transport Manager Subsystems (TMSs) that support IMS components for one or more global service groups.

Subsections:

- "Syntax"
- "Keywords"

### Syntax

```
►►—DEFINE—SYSTEM—(—name—)—  
                                  ┌—STARTED—┐  
                                  └—STOPPED—┘
```

### Keywords

A START SYSTEM(*name*) command is required to start the Transport Manager Subsystem (TMS) once it has been defined.

#### SYSTEM(*name*)

Specifies the first portion (1 to 5 characters) of the VTAM® APPLID used by the other TMSs to which this TMS should connect. The name specified should match the SET APPLID. A system name that matches the APPLID of this TMS (specified on SET) causes an informational message to be issued; other system names will continue to be processed.

TMS will not communicate with an LU whose name has not been defined by a DEFINE SYSTEM command.

#### STARTED

Specifies that the system should be started automatically when the TMS is started or (if the TMS is already started) when the DEFINE command is processed.

STARTED is the default.

#### STOPPED

Specifies that the system should not be started automatically when the TMS is started or (if the TMS is already started) when the DEFINE command is processed.





---

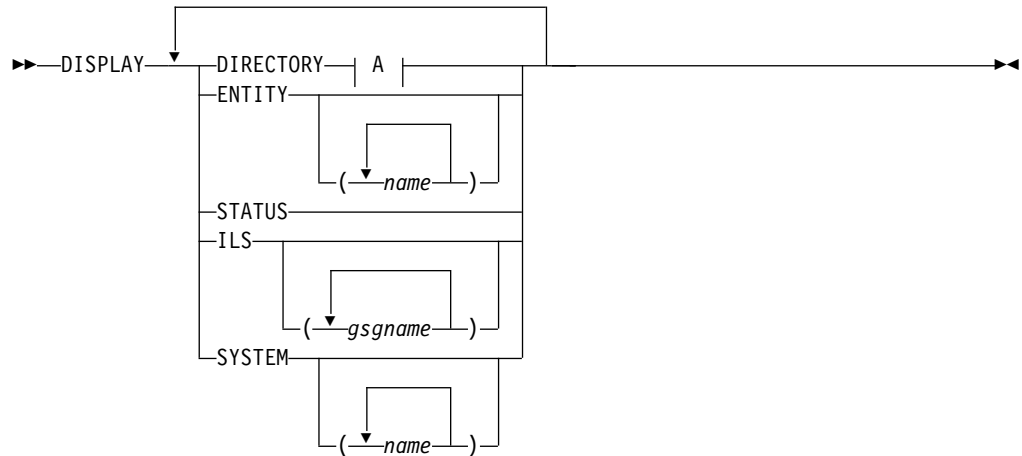
## Chapter 28. DISPLAY command

Use the DISPLAY command to view information about the definition and status of the Transport Manager Subsystem (TMS). TMS provides only communication services for active and tracking site IMS systems; it does not track the activities at either site.

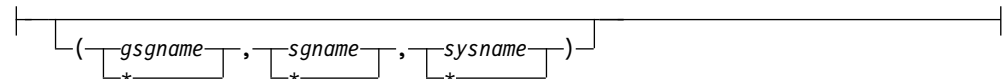
Subsections:

- "Syntax"
- "Keywords"
- "Output fields" on page 694
- "Examples" on page 697

### Syntax



**A:**



### Keywords

#### DIRECTORY

Displays current entity (IMS subsystem or ILS task) information from the TMS directory. If no entity (or list of entities) is specified, all information in the directory is displayed. The directory information includes information on the global service group (GSG) name, the service group (SG) name, the system name, the instance name, and the component name.

If you specify the wildcard character (\*), all information for the entity is displayed.

**gsgname** | \*

The name of the global service group.

***sname*** | \*  
The name of the service group.

***sysname*** | \*  
The name of the system.

**ENTITY | ENTITY(*name*)**

Displays entities (IMS subsystems and ILS tasks) currently identified to this TMS. If no list of entity names is provided, all are displayed.

**STATUS**

Displays the status information of this TMS.

**ILS | ILS(*gsname*)**

Displays information on all or on specific global service groups for which ILS is currently started in a TMS address space. A DISPLAY ILS command will not complete while a volume mount is outstanding for other than the first volume of a multivolume log data set.

**SYSTEM | SYSTEM(*name*)**

Displays status information about the specified systems. The system name is specified by the DEFINE command and the status are displayed. If no list is provided, all are displayed.

## Output fields

If the DIRECTORY keyword is specified, the following output fields are displayed.

**GSG**

The global service group (GSG) name.

**SG** The service group (SG) name.

**SYSTEM**

The system name.

**INSTANCE**

The instance name.

**COMPONENT**

The component name.

If the ENTITY keyword is specified, the following output fields are displayed.

**MSGNAME**

The IMS ID or job name of the entity. This is included in various TMS messages (prefix ELX) to identify the entity.

**GSG**

The global service group name.

**SG** The service group name.

**INSTANCE**

The TMS instance name.

**COMP**

The TMS component name.

**APPLID**

The VTAM APPLID assigned to the entity.

**STATUS**

The relationship between the entity and the TMS. The status of the entity can be any of the following:

**IDEN0**

APPLID resource name is allocated for the entity during the IDENTIFY processing.

**IDEN1**

APPLID resource name is committed for the entity during the IDENTIFY processing.

**ACT**

The entity is active.

**FAIL**

The entity has failed during the IDENTIFY processing.

If the STATUS keyword is specified, the following output fields are displayed.

**TRANSPORT MANAGER**

The version number of the TMS.

**STATUS**

The status of the entity can be any of the following:

**STARTING**

TMS start has been requested.

**STARTED**

TMS has started.

**STOPPING**

TMS stop has been requested.

**STOPPED**

TMS has stopped.

**INSTANCE**

The instance name of the TMS.

**APPLID/SYSTEM**

The system name of the TMS.

**ENTITIES**

The number of the active entities (including the TMS itself).

**SYSTEMS**

The number of the active systems.

If the ILS keyword is specified, the following output fields are displayed.

**GSG**

Global service group name (from the START ILS command).

**SG** Service group name of the tracking subsystem for which this group of display information applies.

**MODE**

VTAM mode name used for conversations (from the START ILS command).

**MAXCONV**

The maximum number of conversations allowed (from the START ILS command).

**CONV**

The number of conversations currently allocated between this ILS and the tracking subsystem.

**Q-REQ**

The number of *query* requests received from the tracking subsystem since communication began with the tracking subsystem. *Query* requests are sent periodically by the tracking subsystem to determine if active service group IMS subsystems have run without communicating with the tracking subsystem.

**G-REQ**

The number of *gap* requests received from the tracking subsystem since communication began with the tracking subsystem.

**DS-SENT**

The number of log data sets successfully sent to the tracking subsystem since communication began with the tracking subsystem. ILS actually sends contiguous portions of log data sets based on the gaps in log data at the tracking site. When all of one of these contiguous portions is sent, the value of this display field is incremented.

**DATASETS**

If any log data sets are currently under consideration for transport to the tracking subsystem as described previously, they are listed below a separator line. If there is no data set activity, there will be no separator.

**STATUS**

Indicates the current state of processing for a particular data set.

**ACTIVE**

The data set is currently being transported, no delays other than waits for data set read have been detected.

**W-CONV**

The data set may be selected for transmission as soon as a conversation is available.

**ALLOC-IP**

The data set is queued for or in the process of allocation or deallocation. This involves z/OS ENQ/DEQ (for OLDS data sets), z/OS DYNALLOC, z/OS OPEN/CLOSE functions. Only one data set is processed through this function at a time, so a delay of one may delay others. The most likely cause of a delay in this state would be an unsatisfied tape mount.

**DBRC-IP**

ILS logic is awaiting completion of a DBRC request related to this data set. The most likely cause of a delay in this state would be contention for the RECON data sets.

**W-SEND**

The data set is currently being transported, but VTAM is not accepting data as fast as ILS is attempting to send it; send is currently waiting for completion of a previous VTAM send. This state generally reflects the results of VTAM pacing controls that limit the ILS to tracking subsystem data rate.

**W-TRKPAC**

The data set is currently being transported, but the tracking subsystem

is not accepting data as fast as ILS is attempting to send it. This state generally reflects the tracking subsystem's inability to write log data as fast as ILS can send it.

**W-TRKOK1**

The data set is part of a gap; the tracking subsystem has not yet approved actual transport of data sets to fill the gap.

**W-TRKOK2**

ILS is waiting for the tracking subsystem to approve transport of this specific data set.

**RECORDS-SENT**

The number of records, in decimal, that have been sent. The number is of the form nnnK, where K represents 1024 records. The number is rounded off to the nearest K.

**NAME**

The IMSID of the active system that created the log data set or the job name of the BATCH or BBO job that created the log data set.

**VOLSER**

The volume serial number, if any, used in allocation of the data set. If this field is blank, the data set is (expected to be) cataloged.

**DSNAME**

The data set name that is or will be read for transport. This may be a primary or secondary copy of an OLDS or SLDS data set.

If the SYSTEM keyword is specified, the following output fields are displayed.

**SYSTEM**

The system name.

**STATUS**

The status of the system, which can be one of the following:

**RALOC**

Allocation requested for the system.

**ALOC**

The system is actually allocated.

**RSTA**

Start requested for the system.

**STA**

The system is actually started.

**RSTO**

Stop requested for the system.

**STO**

The system is actually stopped.

## Examples

The following are examples of output from the DISPLAY command.

*Example of displaying current entity information*

Entry ET:

DISPLAY DIRECTORY

Response ET:

```
ELX0170I TRANSPORT MANAGER DISPLAY: 92.078 13.48.29.0
GSG      SG      SYSTEM  INSTANCE COMPONENT
*        *        TMP2    *        TMANAGER
FUNDS    SITEA   TMP2    IMSA    LOGGER
FUNDS    SITET   TMP4    IMSC    LOGROUTR
FUNDS    SITEA   TMP2    IMSB    LOGGER
FUNDS    SITEA   TMP2    *      ILSEND
```

Explanation: When the DIRECTORY object keyword is completely processed, this message is issued for current entity information from the TMS directory.

*Example of a case when there are no entities to display*

Entry ET:

```
DISPLAY DIRECTORY
```

Response ET:

```
ELX0170I TRANSPORT MANAGER DISPLAY: 92.078 13.58.39.0
*** NO DIRECTORY TO DISPLAY ***
```

Explanation: The DIRECTORY has no entities to display. This message is issued when TMS has not started by the time the DISPLAY command is processed.

*Example of displaying entities*

Entry ET:

```
DISPLAY ENTITY
```

Response ET:

```
ELX0170I TRANSPORT MANAGER DISPLAY: 92.090 13.48.29.0
MSGNAME  GSG      SG      INSTANCE COMP  APPLID  STATUS
TMP      *        *        *        TMANAGER TMP2001 IDEN1,ACT
TMPA     FUNDS    SITEA   IMSA    LOGGER  *      IDEN0
```

Explanation: When the ENTITY object keyword is completely processed, this message is issued to display entities currently identified to this TMS.

*Example of displaying status information*

Entry ET:

```
DISPLAY SYSTEM
```

Response ET:

```
ELX0170I TRANSPORT MANAGER DISPLAY: 92.078 13.54.51.1
SYSTEM  STATUS
TMP4    ALOC,STA
TMP3    ALOC,STA
TMP5    ALOC,STA
```

Explanation: When the SYSTEM object keyword is completely processed, this message is issued to display status information for the specified systems.

*Example of displaying information on global service groups*

Entry ET:

```
DISPLAY ILS
```

Response ET:

```
ELX0170I TRANSPORT MANAGER DISPLAY: 91.105 12.07.24.7
GSG: IMSGSG1 SG: STLSITE1 MODE: ILSMODE MAXCONV: 2
CONV: 2 Q-REQ: 92 G-REQ: 3 DS-SENT: 5
**** DATASETS ****
STATUS RECORDS-SENT NAME VOLSER DSNAME
W-SEND 12K IMSA L00813 BURKES.PAYROLL.SLDSP1
ACTIVE 72K IMSA KENTT.PAYROLL.DFSOLP03
W-CONV 0K IMSA L00803 BURKES.PAYROLL.SLDSP2
```

Explanation: When the ILS object keyword is completely processed, this message is issued to display isolated log sender status for the specified GSG name.

*Example of displaying the status information of the TMS*

Entry ET:

```
DISPLAY STATUS
```

Response ET:

```
ELX0170I TRANSPORT MANAGER DISPLAY: 90.078 13.56.59.5
TRANSPORT MANAGER V5 R0 STATUS: STARTING,STARTED
INSTANCE: ELX APPLID/SYSTEM: TMP2
ENTITIES: 1 SYSTEMS: 3
```

Explanation: When the /DISPLAY command is entered with the STATUS object keyword, this message is issued to display the status of resources related to TMS.





---

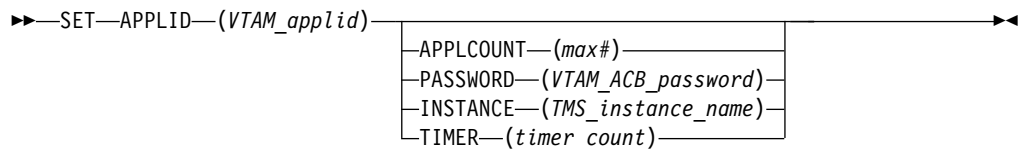
## Chapter 29. SET command

Use the SET command to specify parameters for a Transport Manager Subsystem (TMS) task.

Subsections:

- “Syntax”
- “Keywords”

### Syntax



### Keywords

#### **APPLID**(*VTAM\_applid*)

Specifies a 1- to 5-character name that becomes the first portion of the series of VTAM APPLIDs used by TMS and related IMS subsystems. This name also becomes the “system name” of the CPC running this TMS (used in the naming scheme used by TMS and users of TMS).

The name used for the APPLID must match the first portion of the name (specified on the DEFINE SYSTEM command) or the ACBNAME=acbname used for a series of VTAM APPL definition statements.

When TMS is connected to VTAM (that is, the ACB is open), the APPLID keyword is rejected. To avoid definitional conflicts, SET APPLID must be specified before DEFINE SYSTEM commands are issued.

#### **APPLCOUNT**(*max#*)

Specifies the number of VTAM APPLIDs that are to be defined to VTAM for use by this TMS. The number must exceed by at least 1 the maximum number of IMS subsystems ever expected concurrently to execute on this CPC plus the maximum instances of isolated log sender to be started for this TMS.

#### **PASSWORD**(*VTAM\_ACB\_password*)

Specifies the VTAM ACB password to be used for the TMS. This specification is tied to the VTAM APPL PRTCT=password definition. A single password is used for all APPL names.

#### **INSTANCE**(*TMS\_instance\_name*)

Specifies a 1 to 4 character name that becomes the instance name (subsystem id) of this execution of TMS. This value, combined with the TMI name specified in the DFSRSRxx PROCLIB member, the IMSCTRL macro, the DLIBATCH procedure or the DBBBATCH procedure, enables you to use multiple instances of the TMS within a single system. With different instances of TMS, you can run test and production subsystems within the same IMS system.

The default value for the instance name is ELX.

Once the TMS is started, the INSTANCE keyword will be rejected.

**TIMER**(*timer\_count*)

Specifies the interval, in seconds, to be used for automatic restart TMS-to-TMS conversations. Automatic restart attempts are made after conversation failures and are continued until a conversation is established or a STOP SYSTEM or STOP REPLY command is issued.

The default value is 300 seconds.

---

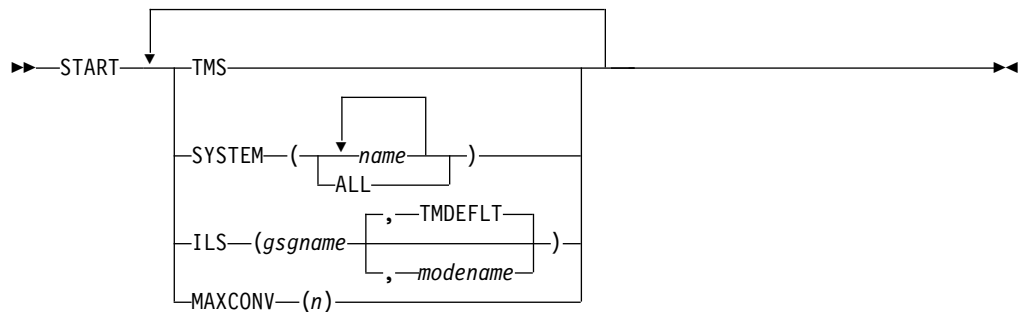
## Chapter 30. START command

Use the START command to activate a Transport Manager Subsystem (TMS), a system, or an ILS task.

Subsections:

- "Syntax"
- "Keywords"

### Syntax



### Keywords

#### TMS

Specifies that the TMS is to be started. The START TMS command should be issued after the initial SET and DEFINE commands.

#### SYSTEM(*name* | ALL)

Specifies that conversations to the specified systems are to be started. This command might be required after a network outage where the TMSs are up but there has been no network connectivity.

#### *name*

Specifies the names of the systems to which conversations are to be started.

#### ALL

Specifying SYSTEM(ALL) causes start to be attempted for all systems not already started or starting.

#### ILS(*gsgname* | *gsgname*,*modename*)

Specifies that an isolated log sender task is to be started.

#### *gsgname*

Specifies the 1- to 8-character name of the global service group to be serviced by this instance of isolated log sender.

#### *modename*

Specifies the VTAM mode name to be used when allocating conversations for a transfer request. If *modename* is not specified, the default is TMDEFLT.

If the START ILS command is entered before the TMS conversation has been established between the active and tracking sites, a conversation between ILS and the tracking IMS may not be connected. This could happen when the

START TMS and START ILS commands are entered closely such as those commands that are from a SYSIN data set of TMS at the active site.

The tracking IMS always tries to establish the conversation with ILS during the initialization so recovery action is not required in most cases. However, if the tracking IMS is brought up earlier than the TMS at the active site the operator may need to enter /START SERVGRP or /START ISOLOG command at the tracking site so that the connection with ILS is established. The STOP ILS and START ILS commands can also be tried again for the TMS at the active site in order to start the ILS function successfully.

**MAXCONV(*n*)**

Specifies, for an ILS task, the maximum number of concurrent data set transfers to be used to process one transfer request. The most efficient value is highly dependent on network capacity and routing, as well as on disk configurations and allocations on both local and remote sites.

The default value is 2. The maximum value is 30.

---

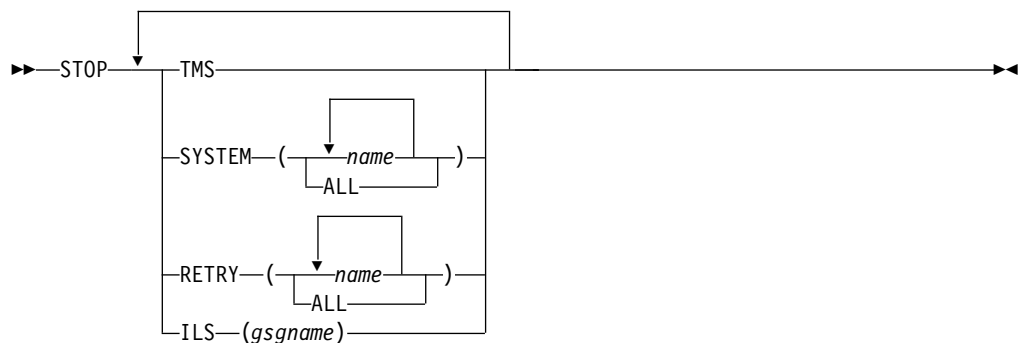
## Chapter 31. STOP command

The STOP command is used to stop the objects specified. In order to stop the entire Transport Manager Subsystem (TMS), you can use z/OS STOP command (P procname) from the z/OS console.

Subtopics:

- "Syntax"
- "Keywords"

### Syntax



### Keywords

#### TMS

Specifies that the entire TMS subsystem is to be stopped.

#### SYSTEM

Specifies that conversations to the specified systems are to be stopped. Requests from other systems to establish conversations will be rejected.

#### RETRY

Specifies that automatic conversation allocation retry is to be stopped for the specified systems or for ALL systems. Requests from other systems to establish conversations will be accepted.

Automatic conversation allocation retry is allowed again after a conversation is successfully established with the specified systems.

#### ILS

Specifies that an isolated log sender task is to be stopped.

*gsgname* specifies the 1- to 8-character name of the global service group being serviced by the instance of isolated log sender to be stopped.



---

## Part 9. IRLM commands

Use the IRLM commands to control the IRLM component.

- Chapter 32, "MODIFY irlmproc commands," on page 709
- Chapter 33, "START irlmproc command," on page 721
- Chapter 34, "STOP irlmproc command," on page 725
- Chapter 35, "TRACE CT command," on page 727





---

## Chapter 32. MODIFY irlmproc commands

The MODIFY (F) *irlmproc* commands are used to display the status of an IRLM and abnormally terminate an IRLM.

These commands can be issued only from a z/OS console.

---

### F irlmproc,ABEND

The MODIFY *irlmproc,ABEND* command is used to abnormally terminate IRLM, whether or not any IMS subsystems are identified to IRLM.

#### Syntax

➔ — F — *irlmproc,ABEND* — — — — — ➔  
└—MODIFY—┘ └—,NODUMP—┘

#### Usage notes

The *irlmproc* identifies the procedure name of the IRLM to be terminated. Prior to terminating, IRLM initiates all active IMS STATUS exit routines to inform them of the pending termination.

If the NODUMP parameter is specified, IRLM terminates without generating a dump. If the NODUMP parameter is not specified, the system dump is taken to the SYS1.DUMPxx data set.

**Recommendation:** If IRLM does not terminate because of outstanding IMS requests in process (the DXR011I irlmproc END-OF-TASK CLEAN-UP SUCCESSFUL message is not received), use the following methods (in this order) to terminate IRLM:

1. Issue the MODIFY irlmproc,ABEND,NODUMP command to terminate IRLM without attempting to clean up the outstanding IMS requests.
2. Issue the z/OS CANCEL command.
3. Issue the z/OS FORCE command. This method is least preferred because it might prevent the irlmproc from completing the cleanup required to permit the subsystem to be restarted.

#### Examples

Here are some examples of using the F *irlmproc,ABEND* command.

##### Example 1 for F irlmproc,ABEND

z/OS SYSTEM 1 SC:

```
F IR21J,ABEND
```

Response SYSTEM 1 SC: (partial messages)

```
DXR124E JR21212 ABENDED VIA MODIFY COMMAND  
DUMPID=001 REQUESTED BY JOB (IR21J )  
IEA794I SVC DUMP HAS CAPTURED: 857
```

```

DUMP TITLE=JR21 ESTAE ENTERED. ABEND U2020 MODULE DXRRL020+0A98
      APAR PQ15432 1999/007 14:14:03
IXL030I CONNECTOR STATISTICS FOR LOCK STRUCTURE LOCK2, 860
      CONNECTOR IRLMGRPR$JR21212:
IXL031I CONNECTOR CLEANUP FOR LOCK STRUCTURE LOCK2, 861
      CONNECTOR IRLMGRPR$JR21212, HAS COMPLETED.
DXR121I JR21212 END-OF-TASK CLEANUP SUCCESSFUL - HI-CSA      410K -
HI-ACCT-CSA      0K
IEF450I IR21J IR21J - ABEND=S000 U2020 REASON=00000000
IEF352I ADDRESS SPACE UNAVAILABLE
$HASP395 IR21J      ENDED

```

Response SYSTEM 2 SC: (partial messages)

```

DXR137I IR21001 GROUP STATUS CHANGED. JR21 212 HAS BEEN DISCONNECTED
FROM THE DATA SHARING GROUP

```

Explanation: The operator on system 1 has terminated the procedure named IR21J. The operator on system 2 is informed that the IRLM on system 1 has failed.

### *Example 2 for F irlmproc,ABEND*

z/OS SYSTEM 2 SC:

```
F IR21J,ABEND,NODUMP
```

Response SYSTEM 2 SC: (partial messages)

```

DXR165I JR21212 TERMINATED VIA IRLM MODIFY COMMAND.
IXL030I CONNECTOR STATISTICS FOR LOCK STRUCTURE LOCK2, 976
CONNECTOR IRLMGRPR$JR21212:
.....
IXL020I CLEANUP FOR LOCK STRUCTURE LOCK2, 980
      CONNECTION ID 02, STARTED BY CONNECTOR IRLMGRPR$IR21001
IXL021I GLOBAL CLEANUP FOR LOCK STRUCTURE LOCK2, 981
      CONNECTION ID 02, BY CONNECTOR IRLMGRPR$IR21001
      HAS COMPLETED.
DXR121I JR21212 END-OF-TASK CLEANUP SUCCESSFUL - HI-CSA      343K -
HI-ACCT-CSA      0K
IEF352I ADDRESS SPACE UNAVAILABLE
$HASP395 IR21J      ENDED

```

Response SYSTEM 1 SC: (partial messages)

```

DXR137I IR21001 GROUP STATUS CHANGED. JR21 212 HAS BEEN DISCONNECTED
FROM THE DATA SHARING GROUP

```

Explanation: The operator on system 2 has terminated the procedure named IR21J and has suppressed the SDUMP dump. The operator on system 1 is informed that the IRLM on system 2 has failed.

---

## **F irlmproc,DIAG,HANG**

HANG is used under the direction of IBM service for collecting IRLM sysplex dumps when DEADLOCK or TIMEOUT issues are suspected.

### **Syntax**

```

▶▶ ┌── F ───┐ ─── irlmproc,DIAG,HANG ───▶▶
    └──MODIFY┘

```

## Usage notes

This command takes dumps during DEADLOCK processing and causes DEADLOCK processing to STOP while the dynamic deadlock storage is collected. z/OS DUMP services then schedules an SRB to restart DEADLOCK processing. DXR183I is issued by each IRLM as the SRB resumes IRLM deadlock.

If this message is not issued, that IRLM must be terminated and restarted.

**Note:** Always start the IRLM SCF CTRACE internally and wait 30 seconds before issuing this command.

---

## F irlmproc,PURGE,imsname

The MODIFY (F) *irlmproc,PURGE,imsname* command releases IRLM locks retained for a specific IMS subsystem because of an IMS, IRLM, or system failure. The command causes STATUS exit routines to be activated for each identified IMS.

### Syntax

→ — F ——— *irlmproc,PURGE,imsname* ————— →  
    └—MODIFY—┘

## Usage notes

This command is used in the following recovery situations:

- Database cleanup was performed and reflected in the RECON data set, but the IRLM was not made aware of it. This typically occurs when a batch backout is performed before the IRLMs are reconnected. After the PURGE command is issued, data that was locked is made available to the active IMS systems.
- Recovery will be performed later and the databases must be unavailable for use by other IMS systems.

**Restriction:** Ensure that IMS is inactive (down) prior to issuing this command. In a DBCTL environment, use the /CHANGE CCTL command when IMS is active (up).

The *imsname* is the IMS name displayed by the STATUS command. The *irlmproc* identifies the procedure name for each IRLM. If multiple IRLMs exist in the same system, each procedure must have a unique procedure name. The *irlmproc* must be a procedure name of an active IRLM which is connected to the same sysplex group as the failed member. Issuing a purge request using an inactive IRLM, will cause the error, IEE341I irlmproc NOT ACTIVE.

## Example

Here are some examples of using the F *irlmproc,PURGE,imsname* command.

To clean up the retained locks from a down IMS (for example, IMS1), first check if the irlmproc (for example, ims1irlm) is up by issuing the following command:

```
D A,L
```

If the IRLM is up (active), check the status of the IMS subsystem, by issuing the following command:

F imslirm,STATUS

If IMS is down (inactive), then issue the following PURGE command:

F imslirm,PURGE,ims1

In a sysplex environment, if the IMS is down and its IRLM is stopped or disconnected, you must use one of the other active IRLM members to query retained locks and issue the following PURGE command:

F irlmproc,STATUS,ALLD

After you issue the PURGE command, you must issue a purge request on the system with an active IRLM. For example, if system B is up on an IMS2 subsystem with an irlmproc named ims2irlm, issue the following command to display all up and down subsystems in a data-sharing sysplex:

F ims2irlm,STATUS,ALLD

Then, if the IMS2 subsystem is down, issue the PURGE request, by entering the following command:

F ims2irlm,PURGE,ims2

The response on the z/OS system console for completed purge request is:

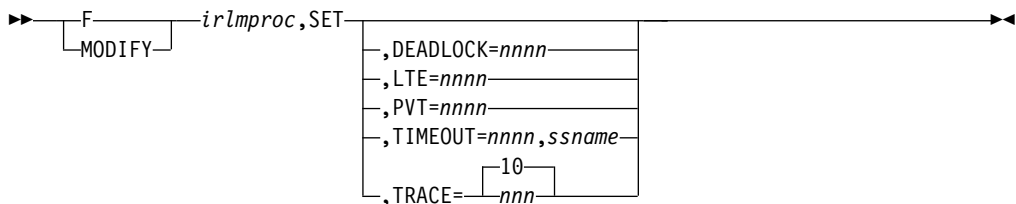
DXR109I IRS2002 PURGE COMMAND COMPLETED FOR IMS1

---

## F irlmproc,SET

The Modify (F) irlmproc,SET command dynamically alters a limited set of parameters known to IRLM.

### Syntax



### Usage notes

The following keywords can be specified for the F irlmproc,SET command.

#### **irlmproc**

Specifies the IRLM that is to process the command.

#### **DEADLOCK= nnnn**

**nnnn** The number in milliseconds to be used for the local deadlock frequency. The value range is 100 - 5000 milliseconds. If a member of a sysplex group and all IRLMs are not enabled for subsecond deadlock processing, DXR106E is issued.

When the IRLM supporting subsecond deadlock joins a group which has a member which does not support subsecond deadlock, the value range used for the new member joining, is 1 - 5 seconds. All members supporting subsecond processing will issue the DXR177I message after changing the timer value.

**Note:** When IMS TIMEOUT candidates have timed out, they remain timeout candidates and are presented to the timeout exit each Global deadlock cycle. IMS creates SMF 79.15 records when candidates are presented. They are then written to the SMF data sets, if enabled. If timeout candidates are found and the value for *nnnn* is subsecond, there will be many SMF 79.15 records written per second until the tasks are no longer waiting in IRLM.

#### **LTE=*nnnn***

*nnnn* The number of Lock Table Entries to be specified on the next CONNECT to the z/OS cross-system coupling facility LOCK structure. The value range must be 0 - 1024 and be an even power of 2. Each increment in value represents 1,048,576 Lock Table Entries.

Any syntax error in issuing the command will receive DXR106E. Syntax errors include LTE value out-of-range. If this IRLM is not connected to the group, and the value is valid, it will issue DXR177I, but the value will not be sent to any other member. If the member is already in the group, the value is sent to the Global Deadlock Manager (GDM) IRLM to be broadcast to all other members. If the GDM does not have the code applied, no DXR177I response will be issued on any member. If the GDM has the code, then all members with the code applied will issue the DXR177I as the command is processed.

This value is used only if the IRLM is the first to join the data-sharing group causing structure allocation or during a REBUILD. If any IRLM joins later, they will not have the updated value. If multiple MODIFY commands are issued on the same or multiple IRLMs, some DXR177I might be missing. The last DXR177I issued is the value to be used on the next CONNECT.

The value for the number of Lock Table Entries specified during normal group startup and during REBUILD are used in the following order:

1. The value specified on the MODIFY irlmproc,SET,LTE= command if it is greater than zero.
2. The value from the LTE= in the IRLMPROC if it is greater than zero.
3. The existing logic, which determines the nearest power of 2 after dividing the QUERY size returned by 2 times LTE width based on MAXUSRS.

If an attempt is made to use a nonzero value from either step 1 or 2 and that value is too large for the structure size returned on the QUERY, then the value from the next lower-order sequence is used.

#### **PVT=*nnnn***

Specifies the upper limit of private storage, below the two-gigabyte bar. *nnnn* must be a four-digit number from 1 through 1800. You can specify this value in megabytes or gigabytes by specifying M (for megabytes) or G (for gigabytes) after the value, as follows, *nnnn* M or *nnnn* G. IRLM monitors the amount of private storage used for locks. If the specified limit is reached, new lock requests are rejected unless they are "must complete". If the specified value is out of range or if IRLM's use of private storage is already larger than the specified value, the command is rejected with message DXR106E. No reserve for "must complete" locks is calculated from the specified PVT= value.

#### **TIMEOUT=*nnnn*,*ssname***

*nnnn* The new timeout value in the range of 1 - 3600 seconds.

#### *ssname*

The identified subsystem name as displayed by the MODIFY irlmproc,STATUS command.

Any syntax error in issuing the command will receive DXR106E. Syntax errors include TIMEOUT value out-of-range or invalid identified subsystem name. A syntax error message will also be given if the DXR177I message has not been received for the prior command completion.

The TIMEOUT value must be a multiple of the local deadlock parameter. If the value entered is not an even multiple of the local deadlock parameter, IRLM increases the timeout value to the next highest multiple. The value used by IRLM for timeout is displayed in the DXR177I message, which is issued during deadlock processing. This new value is used until the IRLM or identified subsystem is terminated, or the timeout is changed again by the operator. The value specified on the command does not affect the timeout value in the DB2® ZParms.

#### **TRACE=nnn**

Requests that IRLM dynamically sets the maximum number of 64 KB trace buffers per trace type to the value you specify in *nnn*. This value is used only when the external CTRACE writer is not activated. The trace buffers are allocated from ECSA. Valid values are from 10 through 255. If you specify a value outside of this range, IRLM automatically adjusts the value to a value within the range. The default is 10. IRLM does not immediately acquire the number of trace buffers you set, but allocates buffers as needed, not to exceed the number of buffers you set in this command. If the number of trace buffers you set is less than the number of currently allocated buffers, IRLM brings the number to within your specified range by releasing the oldest buffers at the end of the next deadlock or timeout cycle.

#### **Restrictions:**

1. Do not modify the CSA value without first contacting the systems programmer to determine the amount of CSA storage that can be used for IRLM.
2. The values you set in the MODIFY command do not persist through a stop and restart of IRLM. The number of trace buffers for each trace type returns to the default value of 10, and the value for MAXCSA returns to the value you set for the MAXCSA parameter of the IRLM startup procedure.

#### **Examples**

Here are some examples of using the F *irlmproc,SET* command.

##### ***Example 1 for F irlmproc,SET***

Entry on a z/OS system console:

```
F IRLMPROC,SET,TRACE=20
```

Response on z/OS system console:

```
DXR177I IRLMX THE VALUE FOR TRACE IS SET TO 20
```

##### ***Example 2 for F irlmproc,SET***

Entry on a z/OS system console:

```
F IRLMPROC,SET,TIMEOUT=60,DBMS
```

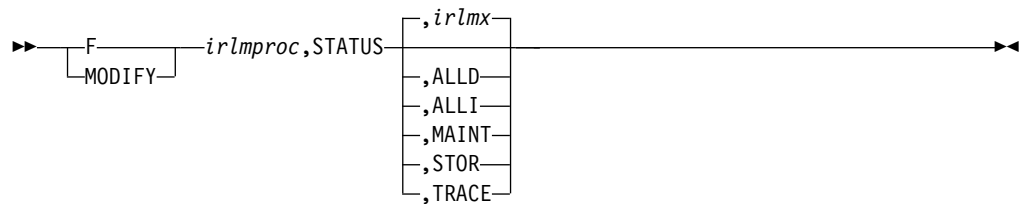
Response on z/OS system console:

```
DXR177I IRLMX THE VALUE FOR TIMEOUT IS SET TO 60 FOR DBMS
```

## F irlmproc,STATUS

The MODIFY (F) irlmproc,STATUS command is used to display the status of an IRLM.

### Syntax



### Usage notes

The following keywords can be specified for the F irlmproc,STATUS command.

The *irlmproc* identifies the IRLM that is to process the command.

#### *irlmx*

Specifies which IRLM's status is to be displayed. The *irlmx* parameter is the concatenation of the IRLM subsystem name (IRLMN) and a three-digit IRLM member ID (IRLMID) specified in the IRLM startup procedure. An example is DB2G002 (ID is 002).

#### **ALLD**

Requests the DBMS names and status of subsystems, active or failed, on any IRLM in the data sharing group. This keyword also shows any RETAINED LOCKS the systems might own and the IRLM they are currently associated with.

#### **ALLI**

Requests the IRLM names and status for all IRLMs in a data sharing group.

#### **MAINT**

Allows the operator to display the IRLM maintenance levels for IRLM load modules, with the exceptions of: DXRRLM50, DXRRL183, DXRRL186, DXRRLFTB, and in a non-sysplex environment DXRRLM70.

#### **STOR**

For this IRLM, displays the current and maximum specified allocation for CSA and ECSA storage.

#### **TRACE**

For this IRLM, requests information about IRLM subcomponent trace types. The information returned includes whether a subcomponent trace type is active, how many trace buffers are used by the trace, and whether the component trace external writer is active for the trace.

You can activate or deactivate traces by using the TRACE CT command of z/OS. You cannot turn off the EXP and INT traces. The XIT (for data sharing), EXP, and INT traces are automatically activated when you start IRLM. Traces are automatically activated with IRLMPROC TRACE=YES.

Message DXR001I is issued if the *irlmx* parameter is omitted or specifies the IRLM receiving the command. This multiline message contains work unit and lock information for each IMS identified to this IRLM.

Message DXR001I is also issued if the *irlmx* parameter is specified, but the IRLM receiving the command has no knowledge of an IRLM with an IRLMID of *irlmx*.

Message DXR102I is issued if *irlmx* is specified. This multiline message contains the IMS names and status of each IMS subsystem identified to the IRLM with an IRLMN and IRLMID of *irlmx*. Message DXR102I is also issued if ALLD is specified. It contains the names and status of each IMS subsystem identified to the IRLM in the data sharing group.

Message DXR103I is issued if ALLI is specified. This multiline message contains the IRLM names and status of all IRLMs in the data sharing group.

## Examples

Here are some examples of using the F *irlmproc,STATUS* command.

### *Example 1 for F irlmproc,STATUS*

Assume you are in a non-data sharing environment. Enter on a z/OS system console:

```
F IRTPROC,STATUS
```

Response on the z/OS system console:

```
DXR101I IR2T001 STATUS SCOPE=LOCAL
SUBSYSTEMS IDENTIFIED          PT01
NAME      STATUS  UNITS   HELD   WAITING  RET_LKS
DSNT1     UP-NS   0005   0010   0002     0
```

Explanation: The operator on system 1 has requested information about the IMS systems connected to the IRLM identified by the IRLM procedure named IRTPROC.

### *Example 2 for F irlmproc,STATUS*

Assume you have a data sharing group. Enter on a z/OS system console:

```
F DB1GIRLM,STATUS,ALLD
```

Response on the z/OS system console:

```
14.02.10 STC00086 DXR102I DJ1G001 STATUS IRLMID=001
SUBSYSTEMS IDENTIFIED          PT01
NAME      STATUS  RET_LKS  IRLMID  IRLM_NAME  IRLM_LEVL
DB4G     UP        0         004     DJ4G       1.009
DB3G     UP        0         003     DJ3G       1.009
DB2G     UP        0         002     DJ2G       1.009
DB1G     UP        0         001     DJ1G       1.009
```

Explanation: The output shows all the IMS subsystems that are connected to IRLMs in this data sharing group (the group to which the IRLM processing the request belongs). Other possible information include:

#### **STATUS**

Indicates the status of the IMS subsystem:

**UP**     The IMS is active.

**DOWN**   The IMS is failed.



**UP-RO**

IMS is active and is currently identified to IRLM as a read-only subsystem.

**CLEANUP**

IRLM is waiting for the IMS subsystem to respond that cleanup has completed after a failure condition.

**SFAIL** The IRLM that IMS is identified to has been disconnected from the data sharing group. Any "modify" type locks held by IMS have been retained by IRLM.

**RET\_LKS**

The number of retained locks that are owned by this IMS subsystem.

**IRLMID**

The ID of the IRLM to which this IMS subsystem is identified.

**IRLM\_NAME**

The name of the IRLM to which this IMS subsystem is identified.

**IRLM\_LEVEL**

The IRLM release and function level that this IMS subsystem requested on the identify to IRLM. This is in the form of *r.fff* .

**Example 3 for F irlmproc,STATUS**

Again, assume data sharing is in effect. Enter the following on a z/OS system console:

```
F DB1GIRLM,STATUS,ALLI
```

Response on the z/OS console is:

```
DXR103I IR21010 STATUS
IRLMS PARTICIPATING IN DATA SHARING GROUP FUNCTION LEVEL=024
IRLM_NAME IRLMID STATUS LEVEL SERVICE MIN_LEVEL MIN_SERVICE
IRLM      001      UP   096 PQ92110      022      PQ52360
IR21      010      UP   024 PQ92110      012      PN90337
JRLM*     002      UP   096 PQ92110      022      PQ52360
DXR103I End of display
```

Explanation: The output shows the IRLMs that are participating in this data sharing group (the group that includes the IRLM processing the request). An asterisk (\*) in the IRLM\_NAME field indicates that this IRLM is the Global Deadlock Manager (GDM). Other information includes:

**STATUS**

The value "UP" in the STATUS field indicates that the IRLM is active. STATUS shows "DOWN" if the IRLM is failed. An IRLM is known to be "DOWN" only if the IMS subsystem that was identified to it holds retained locks. This connection between a failed IMS subsystem and IRLM is lost after a REBUILD or a group restart.

**LEVEL**

The current IRLM release and function level in the form of *r.fff* .

**SERVICE**

The IRLM service or release that corresponds to the release and function level that is given in "LEVEL".

**MIN\_LEVEL**

The minimum IRLM function level with which this IRLM can coexist.

## MIN\_SERVICE

The IRLM service or release that corresponds to the function level given in "MIN-LEVEL."

## Group Function Level

The IRLM release and function level that is in use by all the IRLMs in this data sharing group.

### Example 4 for F irlmproc,STATUS

Enter the following command on a z/OS system console:

```
F IRLME2N,STATUS,STOR
DXR100I IRLM241 STOR STATS
PC: YES  LTEW:  2  LTE:    0M  RLE:   2646  RLEUSE:    0
BB PVT: 1500M  AB PVT (MEMLIMIT): 16383P
CSA USE: ACNT:    0K  AHWM:    0K  CUR: 1057K  HWM: 1057K
        ABOVE 16M:  27 1057K  BELOW 16M:  0    0K
PVT USE: BB CUR:  7453K  AB CUR:    5M
CLASS  TYPE  SEGS    MEM  TYPE  SEGS    MEM  TYPE  SEGS    MEM
ACCNT  T-1    2     4M  T-2    1     1M  T-3    1     4K
PROC   WRK    4    20K  SRB    1     1K  OTH    1     1K
MISC   VAR   20   6086K  N-V   12    323K  FIX    1    24K
DXR100I End of display
```

Explanation: The example shows that current storage allocated for IRLM is 1057 KB, and the greatest amount that has been allocated since the last time IRLM was started is 1057 KB. The storage for the locking structures (RHB and RLB) is contained within IRLM private storage. Use the following information to interpret the display output:

**PC** The current value for the PC option of the IRLM startup procedure.

#### BB PVT

The current amount of private storage below the bar. The PVT value is 1500 MB in this example.

#### AB PVT (MEMLIMIT)

The current limit to private storage above the bar, also known as the MEMLIMIT, which is managed by MVS. This storage is used for locks. The AB PVT value is 16383 PB in this example.

**LTE** The number of the lock table entries that were available in the coupling facility the last time this IRLM was connected to the group. Each unit consists of 1 048 576 entries. If LTE is less than one unit, the value will be zero.

**LTEW** The lock table entry width is the number of bytes needed for each lock table entry in the lock structure. The more users in the group, the more bytes are needed to manage each lock table entry. For up to 6 users, the LTEW is 2, for up to 22 users, the LTEW is 4, and for up to 32 users, the LTEW is 8.

**RLE** The number of the record table entries that were available in the coupling facility the last time this IRLM was connected to the group.

#### RLEUSE

The number of the RLEs that were in use in the coupling facility at the time you issued the MODIFY command. If the IRLM is disconnected from the CF, this number represents the RLE that were in use when the IRLM last updated prior to DISCONNECT.

**CSA USE**

CSA USE is displayed for compatibility reasons only.

**ACNT** When PC=YES, this value is the accountable extended private storage used for lock control structures. This value is specified as either xxxK for kilobytes or xxxM for megabytes.

**AHWM**

When PC=YES, this value is the High Water Mark or the greatest amount of extended private storage allocated by IRLM during this initialization period for lock control structures. Its value is specified as either xxxK for kilobytes or xxxM for megabytes.

**CUR** The total current CSA and ECSA usage. In this case, the current usage (CUR) is 1057 KB, and the high water mark (HWM) is 1057 KB. The accountable storage is a subset of this total storage.

**PVT USE**

The current below-the-bar and above-the-bar private usage.

**BB CUR**

The current below-the-bar private usage. The value is specified as either xxxK for kilobytes or xxxM for megabytes.

**AB CUR**

The current above-the-bar-private usage. The value is specified as either xxxM for megabytes or xxxG for gigabytes.

**ACCNT**

The ACCNT row of the report is a breakdown of lock control block structures and their storage use.

**T-1** Type one structures are for resources. In this case, it shows that two storage segments are held for a total of 4 MB.

**T-2** Type two structures are for all resource requests after the first request for a specific resource. This example shows that one storage segment is held for a total of 1 MB.

**T-3** Type three structures are for requesters or work units that are waiting for or hold resources. This example shows that one storage segment is held for a total of 4 KB.

**PROC and MISC rows**

These rows contain usage information for private storage that is used to process IMS requests. Use this information under the guidance of IBM Software Support for diagnosing problems.

**Example 5 for F irlmproc,STATUS**

When the following command is entered on a z/OS system console:

```
F PR21PROC,STATUS,TRACE
```

The response on the z/OS console is:

```
DXR179I PR21034 TRACE USAGE
TRACE BUFFER STORAGE IN USE: 256KB
MAXIMUM NUMBER OF TRACE BUFFERS ALLOWED PER TRACE TYPE: 10
TRACE TYPE  ACTIVE  BUFFERS IN USE  CTRACE WRITER
-----
SLM          N          0              N
XIT          Y          2              N
XCF          N          0              N
```

DBM	N	0	N
EXP	Y	1	N
INT	Y	1	N

The example shows the storage currently allocated for IRLM tracing is 256 KB, the maximum number of trace buffers allowed per trace type is set to 10, and the external CTRACE writer is not active. The trace size for each buffer is 64 KB. You can change the maximum number of trace buffers that can be used by issuing the following command: `MODIFY irlmproc,SET,TRACE=nnn`.

---

## Chapter 33. START irlmproc command

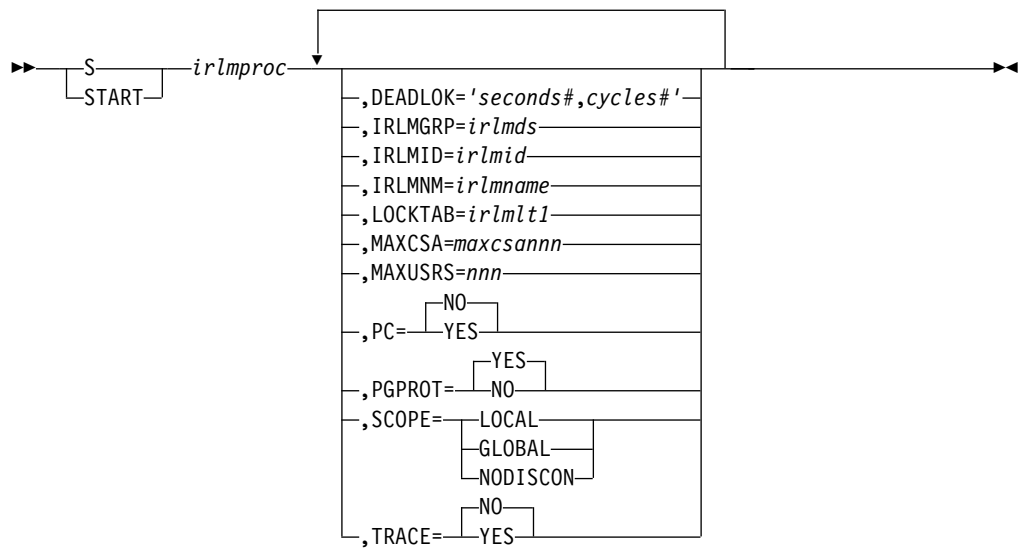
The START *irlmproc* command starts an IRLM component with a procedure put in place by your installation.

Symbolic parameters in the procedure can be overridden using the START *irlmproc* command. IRLM must be started before any IMS subsystem that needs the facilities provided by IRLM.

Subsections:

- “Syntax”
- “Keywords”

### Syntax



### Keywords

The following keywords can be specified for the START *irlmproc* command.

The *irlmproc* identifies the procedure name of the IRLM to be started.

Any IRLM parameter can be overridden using the START command.

#### DEADLOK=

Specifies the local deadlock-detection interval (in seconds), and the number of local cycles that are to occur before a global detection is initiated. You can specify the following:

#### *seconds#*

This 1- to 4-digit numeric value, ranging from 1 to 9999, specifies the interval (in seconds) between IRLM local deadlock-detection cycles. Although values above 5 are accepted, the maximum used is 5.

**Recommendation:** Set this parameter to be no greater than 5. This is because it takes multiple local cycles to complete one global cycle. Otherwise, global deadlocks may not be broken frequently enough to ensure maximum throughput.

***cycles#***

This 1- to 4-digit numeric value, ranging from 1 to 9999, specifies the number of local deadlock cycles that must expire before global deadlock-detection is performed. Although values above 1 are accepted, the maximum used is 1.

**Recommendation:** Set this parameter to be no greater than 5. This is because it takes multiple local cycles to complete one global cycle. Otherwise, global deadlocks may not be broken frequently enough to ensure maximum throughput.

**IRLMGRP=**

Specifies the name of the z/OS cross-system coupling facility (XCF) group for which this IRLM will serve as lock manager.

***irlmids***

The name of the XCF group.

**IRLMID=**

Specifies either a decimal number or a printable character that is used to distinguish between multiple IRLMs. The IRLM with the lowest ID value in the group becomes the global deadlock manager for the group. You must specify a unique name for every IRLM in the group. The total number of IRLMs that can be included in a group is not related to the value you specify; the total number is limited by your hardware, and may be lower than 255.

The *irlmid* can be either a one- to three-digit number ranging in value from 1 to 255, or a printable EBCDIC character. When you specify a character, you must surround the character with enough single quotation marks to permit IRLM to understand that this value is indeed a printable character. IRLM converts the character to an EBCDIC value between 1 and 255.

Because of the way that z/OS interprets quotation marks, you must use 7 quotation marks on either side of the character.

**Example:** If you want to specify the printable character 'D', you must specify IRLMID='''''''D''''''.

**IRLMNM=**

Specifies the 1- to 4-byte z/OS subsystem name assigned to this IRLM.

**LOCKTAB**

Specifies the lock table to be used by the data sharing group specified in the GROUP parameter.

***irlmt1***

Is the name of the lock table.

**MAXCSA=**

An obsolete keyword that is preserved in the IRLM EXEC statement for compatibility purposes. IRLM ignores this keyword if specified.

**MAXUSRS=**

Specifies the maximum number of users, from 2 to 248, that can connect to the data sharing group.

**PC=NO | YES**

An obsolete keyword that is preserved in the IRLM EXEC statement for compatibility purposes. IRLM ignores this keyword if specified.

**PGPROT=YES | NO**

Tells IRLM whether to place its COMMON STORAGE load modules into z/OS Page Protected Storage. PGPROT=YES is the default and tells IRLM to place its COMMON Storage load modules into z/OS Page Protected Storage. If PGRPROT=NO is specified, IRLM will not place load modules in Page Protected Storage.

**SCOPE=**

Specifies whether the IRLM is to be used in a data-sharing environment and, if so, whether the IRLM should automatically disconnect when the associated IMS terminates.

**LOCAL**

Specifies that the IRLM is in a non-data-sharing environment and there is no intersystem sharing.

**GLOBAL**

Specifies that the IRLM is in a data-sharing environment and that intersystem sharing is to be performed. The IRLM disconnects from the data-sharing group when there are no IMS systems identified to it. Both XCF and SLM are required.

**NODISCON**

Specifies that the IRLM is in a data-sharing environment and that intersystem sharing is to be performed. The IRLM remains connected to the data-sharing group even when there are no IMS systems identified to it. Normal DISCONNECT from the sharing group does not occur. You must explicitly stop the IRLM when NODISCON is specified. Both XCF and SLM are required.

With NODISCON, there is less impact on other systems when an IMS fails because z/OS is not required to perform certain recovery actions that it normally perform when an IRLM terminates. Another benefit of the NODISCON parameter is that IMS restarts more quickly after a normal or abnormal termination because it does not have to wait for IRLM to rejoin the IRLM data-sharing group.

**TRACE=**

Specifies whether the IRLM should trace activity during IRLM startup. Traces are written to wrap-around trace buffers, that is, the first buffer is reused after the last buffer is full.

**NO** Do not initialize trace activity during IRLM startup. NO is the default.

To trace IRLM activity, use the TRACE CT command.

**YES**

Initialize IRLM trace activity during startup.

**Recommendation:** Turn on tracing in all data-sharing environments.





---

## Chapter 34. STOP *irlmproc* command

The STOP (P) *irlmproc* command is used to normally shut down IRLM. The command is rejected if any active IMS subsystems are currently identified to IRLM.

The *irlmproc* identifies the procedure name for the IRLM to be stopped.

Subsections:

- "Syntax"
- "Example"

### Syntax

►► — P — *irlmproc* —————►►  
    └─ STOP ─┘

### Example

z/OS SYSTEM 1 SC:

```
P IR21I
```

Response SYSTEM 1 SC:

```
DXR110I IR21001 STOP COMMAND ACCEPTED
IXL030I CONNECTOR STATISTICS FOR LOCK STRUCTURE LOCK2, 070
CONNECTOR IRLMGRPR$IR21001:
IXL031I CONNECTOR CLEANUP FOR LOCK STRUCTURE LOCK2, 071
CONNECTOR IRLMGRPR$IR21001, HAS COMPLETED.
DXR121I IR21001 END-OF-TASK CLEANUP SUCCESSFUL - HI-CSA 732K -
HI-ACCT-CSA 132K
IEF352I ADDRESS SPACE UNAVAILABLE
$HASP395 IR21I ENDED
```

Response SYSTEM 2 SC:

```
NONE
```

Explanation: The operator on system 1 has terminated the IRLM procedure named IR21I. No operator action on system 2 is required.



## Chapter 35. TRACE CT command

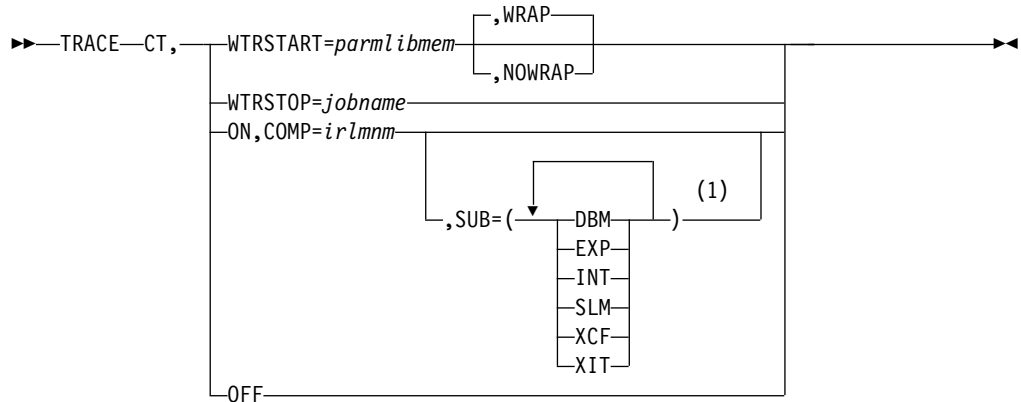
Use the z/OS TRACE CT command to start, stop, or modify an IRLM diagnostic trace.

IRLM does not support all the options available on the TRACE CT command.

Subsections:

- "Syntax"
- "Keywords"
- "Usage notes" on page 729
- "Examples" on page 729

### Syntax



### Notes:

- 1 The same trace type can be specified only once.

### Keywords

The following keywords can be specified for the TRACE CT command.

**CT** Specifies the component trace (instead of the other trace options available on the z/OS TRACE command).

#### **WTRSTART=parmlibmem**

Identifies the name of the member that contains the source JCL that invokes the external writer and defines the data set to which external writer writes the trace buffers. The member can be a SYS1.PROCLIB cataloged procedure or a job. Many installations use a cataloged procedure in SYS1.PROCLIB.

After you enter a TRACE CT,WTRSTART command, turn the trace on and connect the writer using the WTR parameter in the reply for a TRACE CT command.

#### **WRAP**

Specifies that when the system reaches the end of the data set or group

of data sets, it writes over the oldest data at the start of the data set or the start of the first data set in the group. The primary extents of the data set are used.

**NOWRAP**

Specifies that the system stops writing to the data set or data sets when they are full. The primary and secondary extents of the data sets are used.

**WTRSTOP=*jobname***

Identifies the job name of a component trace external writer to be stopped. The data sets that the writer used are closed.

The job name is either:

- A member name, if the source JCL is a procedure.
- The name on a JOB statement within the source JCL.

**ON** Turns on the trace.

**COMP=*irlmssnm***

The IRLM subsystem name.

**SUB=*subname***

Identifies the type of sublevel trace desired. This parameter can be any of the following values:

**DBM**

Trace interactions with the identified DBMS.

**EXP**

Trace any exception condition. EXP is automatically turned on when IRLM starts running and is permanently turned on.

**INT**

Trace member and group events outside of normal locking activity. INT is automatically turned on when IRLM starts running and is permanently turned on.

**SLM**

Trace interactions with the z/OS locking component.

**XCF**

Trace all interactions with z/OS Cross-System coupling services.

**XIT**

Trace just asynchronous interactions with the z/OS locking component. XIT is automatically turned on when IRLM starts running, but it can be turned off using the z/OS TRACE CT command.

**OFF**

Turns off the trace. If IRLM is connected to a component trace external writer, the system forces an implicit disconnect.

In the case of the EXP and INT sublevel traces, the OFF parameter stops the traces from writing to the external writer. However they continue to write to buffers. These traces are used by IMS for debugging purposes.

*Sample external writer procedure*

Here is a sample procedure for the IRLM external writer:

```
//CTWTR   PROC
//        EXEC PGM=ITTTTCWR
//TRCOUT01 DD  DSN=SYS1.WTR1,DISP=OLD
//TRCOUT02 DD  DSN=SYS1.WTR2,DISP=OLD
```

## Usage notes

The impact of setting TRACE CT ON is that each active subname type requires up to .7 MB of ECSA. Because IRLM initializes its own traces when it starts, the DISPLAY TRACE command shows that all traces are off. After you issue the TRACE ON command, the reports are accurate except for the two subname types, INT and EXT, which cannot be turned off.

This command can be entered only from the master console. The command requires an appropriate level of z/OS authority.

Because this command uses z/OS component trace services, make sure that the IRLM start and stop load module, DXRRL183, is in the z/OS link list.

## Examples

Here are some examples of using the TRACE CT command.

### *Example 1 for TRACE CT command*

Here is an example sequence of commands to start and stop an IRLM DBM trace. In this example, the trace data is written to an external writer data set identified in procedure CTWTR:


```
TRACE CT,WTRSTART=CTWTR
TRACE CT,ON,COMP=IRLM,SUB=(DBM)
:
: (z/OS asks for a reply.)
:
R 15,WTR=CTWTR,END
TRACE CT,OFF,COMP=IRLM,SUB=(DBM)
:
: (Wait a while to make sure trace buffers are externalized.)
TRACE CT,WTRSTOP=CTWTR
```

### *Example 2 for TRACE CT command*

Here is a sample procedure to start and stop traces in wrap-around mode. The traces captured in this procedure are saved in a limited number of buffers that are provided by IRLM. Each buffer is reused when the previous buffer is filled.

```
TRACE CT,ON,COMP=IRLM
:
: (z/OS asks for a reply.)
:
R 15,END
TRACE CT,OFF,COMP=IRLM
```

### Related reference:

 z/OS: System commands grouped according to system command authority



---

## Part 10. Open Database Access commands

Use the Open Database Access (ODBA) commands to work with an ODBA application address space.

- Chapter 36, "CANCEL ODBA command," on page 733
- Chapter 37, "FORCE ODBA command," on page 735





---

## Chapter 36. CANCEL ODBA command

Use the CANCEL and FORCE commands to terminate an ODBA application address space with an active connection to an IMS subsystem.

Subsections:

- "Syntax"
- "Usage notes"

### Syntax

►► — C — *jobname* —————►►  
      └─ CANCEL ─┘

### Usage notes

The CANCEL *jobname* command is used to terminate an ODBA application address space with an active connection to an IMS subsystem. In this command, *jobname* is the ODBA application address space.

If there are no active threads under this connection to IMS, enable the CANCEL command to be processed by z/OS. If there appear to be active threads (IDTTHDCT is greater than zero), the CANCEL command is rejected and message DFS08051 is issued.

Once the CANCEL command has been issued, no additional threads will be allowed to schedule from the target address space until the connection to IMS has been successfully terminated and re-initialized.

The CANCEL is rejected to protect the IMS control region from ABENDU0113 or other related abends. If it is invalid for threads to be active at this time, gather documentation to determine the reason for the active thread(s).



---

## Chapter 37. FORCE ODBA command

The CANCEL and FORCE commands are used to terminate an ODBA application address space with an active connection to an IMS subsystem.

Subsections:

- “Syntax”
- “Usage notes”

### Syntax

►►—FORCE—*jobname*—

### Usage notes

The FORCE *jobname* command is used to terminate an ODBA application address space with an active connection to an IMS subsystem if the CANCEL command was rejected. In this command, *jobname* is the ODBA application address space.

**Recommendation:** Attempt the CANCEL command prior to attempting the FORCE command.

If this is the first time that FORCE has been issued against the current iteration of the ODBA application address space, DFS1S100 will change the FORCE to a CANCEL and enable z/OS to process the CANCEL command.

If the CANCEL command was rejected and a prior FORCE command was issued against the current iteration of the ODBA application address space and was not successful, issue a second FORCE command to enable z/OS to process the second FORCE command.

Use the FORCE command with caution. By allowing z/OS to CANCEL the address space, it is possible that the IMS control region may terminate abnormally depending on the actual state of the active thread(s). Resolve the outstanding active threads prior to issuing the FORCE command.



---

## Part 11. Repository Server commands

Use the Repository Server (RS) commands to display and update the RS parameters or to shut down RS address spaces.

- Chapter 38, “MODIFY reposervername commands,” on page 739
- Chapter 39, “P reposervername command,” on page 749



---

## Chapter 38. MODIFY reposervername commands

Use the MODIFY (F) *reposervername* commands for the Repository Server (RS) address space to display or update RS parameters.

Subsections:



- “F *reposervername*,ADMIN”
- “F *reposervername*,AUDIT” on page 743
- “F *reposervername*,SECURITY” on page 744
- “F *reposervername*,SHUTDOWN” on page 745

Some MODIFY (F) and FRPBATCH commands are equivalent.

Table 62. Equivalent Modify (F) and FRPBATCH commands

MODIFY (F)	FRPBATCH	Note
--	ADD	
ADMIN DISPLAY	LIST	
ADMIN START	START	
ADMIN STOP	STOP	Stops the IMSRSC repository
--	RENAME	
--	DELETE	
ADMIN DSCHANGE	DSCHANGE	
--	UPDATE	
AUDIT	--	Changes the audit level
SECURITY	--	Refreshes in-storage profiles
SHUTDOWN	--	Stops the RS. Similar to the STOP command through the z/OS STOP (P) interface.

**Related concepts:**

-  Overview of the IMSRSC repository (System Definition)
-  IMSRSC repository administration (System Administration)

**Related information:**

-  Commands for FRPBATCH (System Programming APIs)

---

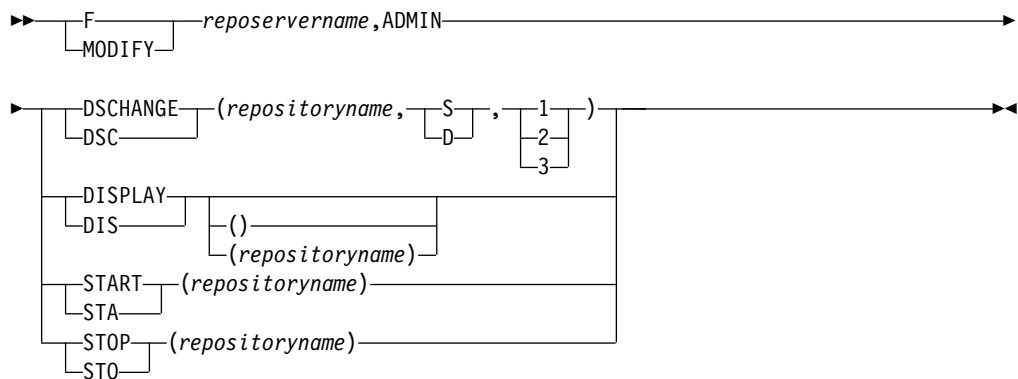
### F *reposervername*,ADMIN

Use the F *reposervername*,ADMIN command to perform administrative tasks on the IMSRSC repository.

Subsections:

- “Syntax” on page 740
- “Keywords” on page 740
- “Equivalent FRPBATCH commands” on page 741
- “Examples” on page 741

## Syntax



## Keywords

The following keywords can be specified for this command:

### **reposervername**

Specifies the name of the Repository Server (RS) on which you want to perform administrative tasks.

### **DSCHANGE**

Changes the status of a pair of COPY1, COPY2, or spare repository data sets to DISCARD, or changes the status of a discarded repository data set to SPARE.

### **repositoryname**

Specifies the name of the repository whose data sets you want to change. You cannot specify CATALOG because it is reserved.

### **S | D**

Specifies the DSCHANGE action to be applied to the repository data sets specified in the repository data set parameter.

**S** The DSCHANGE action of SPARE is to be applied to the repository data sets specified.

**D** The DSCHANGE action of DISCARD is to be applied to the repository data sets specified.

### **1 | 2 | 3**

Specifies a number in the range of 1-3 to indicate the repository data set pair to which the requested DSCHANGE action is to apply.

**1** Applies the status to the COPY1 repository data sets.

**2** Applies the status to the COPY2 repository data sets.

**3** Applies the status to the SPARE repository data sets.

### **DISPLAY**

Displays a list of repositories defined to the RS catalog repository. This command is similar to the batch LIST STATUS command. If *repositoryname* is not specified, only the repository names are returned. If *repositoryname* is specified, details of the repository, such as the data set names, are returned.

### **repositoryname**

Specifies the name of the repository whose information is to be displayed. You cannot specify CATALOG because it is reserved.



## START

Starts the repository.

### **repositoryname**

Specifies the name of the repository to be started. You cannot specify CATALOG because it is reserved.

## STOP

Stops the repository.

### **repositoryname**

Specifies the name of the repository to be stopped. You cannot specify CATALOG because it is reserved.

## Equivalent FRPBATCH commands

The following table shows the FRPBATCH commands that perform similar functions as the *F repositoryname,ADMIN* command.

*Table 63. FRPBATCH equivalents for the F repositoryname,ADMIN command*

<b>F repositoryname,ADMIN command</b>	<b>Similar FRPBATCH commands</b>
<i>F repositoryname,ADMIN DISPLAY</i>	LIST
<i>F repositoryname,ADMIN DSCHANGE</i>	DSCHANGE
<i>F repositoryname,ADMIN START</i>	START
<i>F repositoryname,ADMIN STOP</i>	STOP

## Examples

The following are examples of the *F repositoryname,ADMIN* command:

### *Example 1 for F repositoryname,ADMIN command*

Command input:

```
F FRP1,ADMIN START(IMS_REPOS)
```

Command output:

```
FRP2014I - Repository start request initiated: IMS_REPOS  
REPO1RP
```

**Explanation:** The request to start the repository named IMS\_REPOS is initiated. When the repository is started, a FRP2012I message is issued. The command is processed by the master Repository Server, which has RSNAME=REPO1 specified in the FRPCFG member. The RSID of REPO1RP is appended to the command output message issued by the master RS.

### *Example 2 for F repositoryname,ADMIN command*

Command input:

```
F FRP1,ADMIN STOP(IMS_REPOS)
```

Command output:

```
FRP2020I - Repository stop request initiated: IMS_REPOS  
REPO1RP
```

**Explanation:** The request to stop the repository named IMS\_REPOS is initiated. When the repository is stopped, a FRP2012I message is issued. The command is processed by the master Repository Server, which has RSNAME=REPO1 specified in the FRPCFG member. The RSID of REPO1RP is appended to the command output message issued by the master RS.

*Example 3 for F reposername,ADMIN command*

Command input:

```
F FRP1,ADMIN DISPLAY(IMS_REPOS)
```

Command output:

```
BPE0032I ADMIN COMMAND COMPLETED REPO1RP
FRP2100I - ADMIN DISPLAY repository IMS_REPOS 597
          - Last updated date/time   : 2011/05/06 20:26:43  USRT004
          - Status . . . . . : OPEN
          - Auto-open . . . . . : YES
          - Security Class . . . . : NOT DEFINED REPO1RP
FRP2101I - ADMIN DISPLAY repository RDS1: 598
          - Index (RID) . . . : IMSTESTS.REPO.IMSPRI.RID
          - Member (RMD) . . : IMSTESTS.REPO.IMSPRI.RMD
          - Status . . . . . : COPY1 REPO1RP
FRP2101I - ADMIN DISPLAY repository RDS2: 599
          - Index (RID) . . . : IMSTESTS.REPO.IMSSEC.RID
          - Member (RMD) . . : IMSTESTS.REPO.IMSSEC.RMD
          - Status . . . . . : COPY2 REPO1RP
FRP2101I - ADMIN DISPLAY repository RDS3: 600
          - Index (RID) . . . : IMSTESTS.REPO.IMSSPR.RID
          - Member (RMD) . . : IMSTESTS.REPO.IMSSPR.RMD
          - Status . . . . . : DISCARD REPO1RP
```

**Explanation:** The ADMIN command to display information about repository IMS\_REPOS is processed. The repository status and the information about the data sets for COPY1, COPY2, and SPARE are returned. The command is processed by the master Repository Server, which has RSNAME=REPO1 specified in the FRPCFG member. The RSID of REPO1RP is appended to the command output message issued by the master RS.

*Example 4 for F reposername,ADMIN command*

Command input:



```
F FRP1,ADMIN DISPLAY
```

Command output:

```
BPE0032I ADMIN DISPLAY COMMAND COMPLETED REPO1RP
FRP2102I - IMS_REPOS                                OPEN
2011/05/06 USRT004 COPY1    COPY2    DISCARD REPO1RP
```

**Explanation:** The ADMIN command to display information about the repositories that are managed by the Repository Server is processed. The output does not contain the data set information. The command is processed by the master Repository Server, which has RSNAME=REPO1 specified in the FRPCFG member. The RSID of REPO1RP is appended to the command output message issued by the master RS.

**Related concepts:**

-  Overview of the IMSRSC repository (System Definition)
-  IMS repository data set states (System Definition)



Command input:

```
F FRP1,AUDIT LEVEL(NONE)
```

Command output:

```
BPE0032I AUDIT COMMAND COMPLETED REPO1RP  
FRP2103I - Audit level changed from HIGH to NONE REPO1RP
```

**Explanation:** The AUDIT command is processed, and the audit level is changed from HIGH to NONE. The command is processed by the master Repository Server, which has RSNAMES=REPO1 specified in the FRPCFG member. The RSID of REPO1RP is appended to the command output message issued by the master RS.

*Example 2 for F reposervername,AUDIT command*

Command input:

```
F FRP1,AUDIT LEVEL(HIGH)
```

Command output:

```
BPE0032I AUDIT COMMAND COMPLETED REPO1RP  
FRP2103I - Audit level changed from NONE to HIGH REPO1RP
```

**Explanation:** The AUDIT command is processed and the audit level is changed from NONE to HIGH. The command is processed by the master Repository Server, which has RSNAMES=REPO1 specified in the FRPCFG member. The RSID of REPO1RP is appended to the command output message issued by the master RS.

*Example 3 for F reposervername,AUDIT command*

Command input:



```
F FRP1,AUDIT RESTART
```

Command output:

```
BPE0032I AUDIT RESTART COMMAND COMPLETED REPO1RP
```

**Explanation:** The AUDIT command is processed to restart the audit processing. The command is processed by the master Repository Server, which has RSNAMES=REPO1 specified in the FRPCFG member. The RSID of REPO1RP is appended to the command output message issued by the master RS.

**Related concepts:**

-  [Overview of the IMSRSC repository \(System Definition\)](#)
-  [Managing Repository Server audit log records \(Diagnosis\)](#)

**Related reference:**

-  [FRPCFG member of the IMS PROCLIB data set \(System Definition\)](#)

---

## F reposervername,SECURITY

Use the F *reposervername*,SECURITY command to dynamically refresh the in-storage security tables, to pick up changes to the profiles as defined in RACF or an equivalent security product. This command does not reload Repository Server configuration file parameters or reread repository definitions.

Subsections:

- “Syntax” on page 745



## Keywords

The following keywords can be specified for this command:

### ALL

Shuts down all RS address spaces that use the same z/OS cross-system coupling facility group as the specified RS, including any active subordinate servers.

## Usage notes

If ALL is not specified, only the RS on the z/OS image where the command is issued is shut down. If the master server is shut down, and SHUTDOWN ALL is not issued, all subordinate servers start the subordinate process and one subordinate server becomes the new master.

## Examples

The following are examples of the *F reposervername,SHUTDOWN* command:

### *Example 1 for F reposervername,SHUTDOWN command*

Command input:

```
F FRP1,SHUTDOWN
```

Command output:

```
FRP2005I - Shutdown command received, server terminating REPO1RP
```

**Explanation:** The SHUTDOWN command to shut down the Repository Server address space is received, and the server will be shutting down. The command is processed by the master Repository Server, which has RSNAME=REPO1 specified in the FRPCFG member. The RSID of REPO1RP is appended to the command output message issued by the master RS.

### *Example 2 for F reposervername,SHUTDOWN command*

Command input:


```
F FRP1,SHUTDOWN ALL
```

Command output:

```
FRP2007I - Shutdown command received, notifying all repository servers to shut down REPO1RP
```

**Explanation:** The SHUTDOWN command to shut down the Repository Server address space and to notify all other Repository Servers is received. The command is processed by the master Repository Server, which has RSNAME=REPO1 specified in the FRPCFG member. The RSID of REPO1RP is appended to the command output message issued by the master RS.

### Related concepts:

 [Overview of the IMSRSC repository \(System Definition\)](#)

### Related tasks:

 [Stopping the Repository Server \(Operations and Automation\)](#)

### Related reference:

“F reposervername,ADMIN” on page 739

Chapter 39, "P reposervername command," on page 749





---

## Chapter 39. P reposervername command

Use the STOP command through the z/OS STOP (P) interface to stop and shut down the specified Repository Server. If the master server is shut down, all subordinate servers start the subordinate process and one subordinate server becomes the new master.

Subsections:

- “Syntax”


### Syntax

►► 

P
STOP

 reposervername ◀◀

**Related concepts:**

 Overview of the IMSRSC repository (System Definition)

**Related reference:**

“F reposervername,SHUTDOWN” on page 745



---

## Part 12. Appendixes



---

## Notices

This information was developed for products and services offered in the US. This material might be available from IBM in other languages. However, you may be required to own a copy of the product or product version in that language in order to access it.

IBM may not offer the products, services, or features discussed in this document in other countries. Consult your local IBM representative for information on the products and services currently available in your area. Any reference to an IBM product, program, or service is not intended to state or imply that only that IBM product, program, or service may be used. Any functionally equivalent product, program, or service that does not infringe any IBM intellectual property right may be used instead. However, it is the user's responsibility to evaluate and verify the operation of any non-IBM product, program, or service.

IBM may have patents or pending patent applications covering subject matter described in this document. The furnishing of this document does not grant you any license to these patents. You can send license inquiries, in writing, to:

*IBM Director of Licensing  
IBM Corporation  
North Castle Drive, MD-NC119  
Armonk, NY 10504-1785  
US*

For license inquiries regarding double-byte character set (DBCS) information, contact the IBM Intellectual Property Department in your country or send inquiries, in writing, to:

*Intellectual Property Licensing  
Legal and Intellectual Property Law  
IBM Japan, Ltd.  
19-21, Nihonbashi-Hakozakicho, Chuo-ku  
Tokyo 103-8510, Japan*

INTERNATIONAL BUSINESS MACHINES CORPORATION PROVIDES THIS PUBLICATION "AS IS" WITHOUT WARRANTY OF ANY KIND, EITHER EXPRESS OR IMPLIED, INCLUDING, BUT NOT LIMITED TO, THE IMPLIED WARRANTIES OF NON-INFRINGEMENT, MERCHANTABILITY OR FITNESS FOR A PARTICULAR PURPOSE. Some jurisdictions do not allow disclaimer of express or implied warranties in certain transactions, therefore, this statement may not apply to you.

This information could include technical inaccuracies or typographical errors. Changes are periodically made to the information herein; these changes will be incorporated in new editions of the publication. IBM may make improvements and/or changes in the product(s) and/or the program(s) described in this publication at any time without notice.

Any references in this information to non-IBM websites are provided for convenience only and do not in any manner serve as an endorsement of those

websites. The materials at those websites are not part of the materials for this IBM product and use of those websites is at your own risk.

IBM may use or distribute any of the information you provide in any way it believes appropriate without incurring any obligation to you.

Licensees of this program who wish to have information about it for the purpose of enabling: (i) the exchange of information between independently created programs and other programs (including this one) and (ii) the mutual use of the information which has been exchanged, should contact:

*IBM Director of Licensing  
IBM Corporation  
North Castle Drive, MD-NC119  
Armonk, NY 10504-1785  
US*

Such information may be available, subject to appropriate terms and conditions, including in some cases, payment of a fee.

The licensed program described in this document and all licensed material available for it are provided by IBM under terms of the IBM Customer Agreement, IBM International Program License Agreement or any equivalent agreement between us.

The performance data and client examples cited are presented for illustrative purposes only. Actual performance results may vary depending on specific configurations and operating conditions.

Information concerning non-IBM products was obtained from the suppliers of those products, their published announcements or other publicly available sources. IBM has not tested those products and cannot confirm the accuracy of performance, compatibility or any other claims related to non-IBM products. Questions on the capabilities of non-IBM products should be addressed to the suppliers of those products.

Statements regarding IBM's future direction or intent are subject to change or withdrawal without notice, and represent goals and objectives only.

This information contains examples of data and reports used in daily business operations. To illustrate them as completely as possible, the examples include the names of individuals, companies, brands, and products. All of these names are fictitious and any similarity to actual people or business enterprises is entirely coincidental.

#### COPYRIGHT LICENSE:

This information contains sample application programs in source language, which illustrate programming techniques on various operating platforms. You may copy, modify, and distribute these sample programs in any form without payment to IBM, for the purposes of developing, using, marketing or distributing application programs conforming to the application programming interface for the operating platform for which the sample programs are written. These examples have not been thoroughly tested under all conditions. IBM, therefore, cannot guarantee or imply reliability, serviceability, or function of these programs. The sample

programs are provided "AS IS", without warranty of any kind. IBM shall not be liable for any damages arising out of your use of the sample programs.

Each copy or any portion of these sample programs or any derivative work must include a copyright notice as follows:

© (your company name) (year).

Portions of this code are derived from IBM Corp. Sample Programs.

© Copyright IBM Corp. \_enter the year or years\_.

---

## Trademarks

IBM, the IBM logo, and [ibm.com](http://www.ibm.com)<sup>®</sup> are trademarks or registered trademarks of International Business Machines Corp., registered in many jurisdictions worldwide. Other product and service names might be trademarks of IBM or other companies. A current list of IBM trademarks is available on the web at "Copyright and trademark information" at <http://www.ibm.com/legal/copytrade.shtml>.

Adobe, the Adobe logo, and the PostScript logo are either registered trademarks or trademarks of Adobe Systems Incorporated in the United States, and/or other countries.

Linux is a registered trademark of Linus Torvalds in the United States, other countries, or both.

Microsoft, Windows, Windows NT, and the Windows logo are trademarks of Microsoft Corporation in the United States, other countries, or both.

Java<sup>™</sup> and all Java-based trademarks and logos are trademarks or registered trademarks of Oracle and/or its affiliates.

UNIX is a registered trademark of The Open Group in the United States and other countries.

---

## Terms and conditions for product documentation

Permissions for the use of these publications are granted subject to the following terms and conditions.

### Applicability

These terms and conditions are in addition to any terms of use for the IBM website.

### Personal use

You may reproduce these publications for your personal, noncommercial use provided that all proprietary notices are preserved. You may not distribute, display or make derivative work of these publications, or any portion thereof, without the express consent of IBM.

### Commercial use

You may reproduce, distribute and display these publications solely within your enterprise provided that all proprietary notices are preserved. You may not make derivative works of these publications, or reproduce, distribute or display these

publications or any portion thereof outside your enterprise, without the express consent of IBM.

## **Rights**

Except as expressly granted in this permission, no other permissions, licenses or rights are granted, either express or implied, to the publications or any information, data, software or other intellectual property contained therein.

IBM reserves the right to withdraw the permissions granted herein whenever, in its discretion, the use of the publications is detrimental to its interest or, as determined by IBM, the above instructions are not being properly followed.

You may not download, export or re-export this information except in full compliance with all applicable laws and regulations, including all United States export laws and regulations.

IBM MAKES NO GUARANTEE ABOUT THE CONTENT OF THESE PUBLICATIONS. THE PUBLICATIONS ARE PROVIDED "AS-IS" AND WITHOUT WARRANTY OF ANY KIND, EITHER EXPRESSED OR IMPLIED, INCLUDING BUT NOT LIMITED TO IMPLIED WARRANTIES OF MERCHANTABILITY, NON-INFRINGEMENT, AND FITNESS FOR A PARTICULAR PURPOSE.

---

## **IBM Online Privacy Statement**

IBM Software products, including software as a service solutions, ("Software Offerings") may use cookies or other technologies to collect product usage information, to help improve the end user experience, to tailor interactions with the end user or for other purposes. In many cases no personally identifiable information is collected by the Software Offerings. Some of our Software Offerings can help enable you to collect personally identifiable information. If this Software Offering uses cookies to collect personally identifiable information, specific information about this offering's use of cookies is set forth below.

This Software Offering does not use cookies or other technologies to collect personally identifiable information.

If the configurations deployed for this Software Offering provide you as customer the ability to collect personally identifiable information from end users via cookies and other technologies, you should seek your own legal advice about any laws applicable to such data collection, including any requirements for notice and consent.

For more information about the use of various technologies, including cookies, for these purposes, See IBM's Privacy Policy at <http://www.ibm.com/privacy> and IBM's Online Privacy Statement at <http://www.ibm.com/privacy/details> the section entitled "Cookies, Web Beacons and Other Technologies" and the "IBM Software Products and Software-as-a-Service Privacy Statement" at <http://www.ibm.com/software/info/product-privacy>.



---

## Bibliography

This bibliography lists all of the publications in the IMS 14 library.

<b>Title</b>	<b>Acronym</b>	<b>Order number</b>
<i>IMS Version 14 Application Programming</i>	APG	SC19-4208
<i>IMS Version 14 Application Programming APIs</i>	APR	SC19-4209
<i>IMS Version 14 Commands, Volume 1: IMS Commands A-M</i>	CR1	SC19-4210
<i>IMS Version 14 Commands, Volume 2: IMS Commands N-V</i>	CR2	SC19-4211
<i>IMS Version 14 Commands, Volume 3: IMS Component and z/OS Commands</i>	CR3	SC19-4212
<i>IMS Version 14 Communications and Connections</i>	CCG	SC19-4213
<i>IMS Version 14 Database Administration</i>	DAG	SC19-4214
<i>IMS Version 14 Database Utilities</i>	DUR	SC19-4215
<i>IMS Version 14 Diagnosis</i>	DGR	GC19-4216
<i>IMS Version 14 Exit Routines</i>	ERR	SC19-4217
<i>IMS Version 14 Installation</i>	INS	GC19-4218
<i>IMS Version 14 Licensed Program Specifications</i>	LPS	GC19-4231
<i>IMS Version 14 Messages and Codes, Volume 1: DFS Messages</i>	MC1	GC18-4219
<i>IMS Version 14 Messages and Codes, Volume 2: Non-DFS Messages</i>	MC2	GC18-4220
<i>IMS Version 14 Messages and Codes, Volume 3: IMS Abend Codes</i>	MC3	GC18-4221
<i>IMS Version 14 Messages and Codes, Volume 4: IMS Component Codes</i>	MC4	GC18-4222
<i>IMS Version 14 Operations and Automation</i>	OAG	SC19-4223
<i>IMS Version 14 Release Planning</i>	RPG	GC19-4224
<i>IMS Version 14 System Administration</i>	SAG	SC19-4225
<i>IMS Version 14 System Definition</i>	SDG	GC19-4226
<i>IMS Version 14 System Programming APIs</i>	SPR	SC19-4227
<i>IMS Version 14 System Utilities</i>	SUR	SC19-4228
<i>Program Directory for Information Management System Transaction and Database Servers V14.01.00</i>		GI10-8988
<i>Program Directory for Information Management System Database Value Unit Edition V14.01.00</i>		GI13-4602
<i>Program Directory for Information Management System Transaction Manager Value Unit Edition V14.01.00</i>		GI13-4601



# Index

## Special characters

/NRESTART  
  INIT.DB 310  
/RMxxxxxx command  
  authorization of 50  
%ALLDSSN keyword 265  
%ALLSEL keyword 265  
%ALLTIME keyword 265  
%ALLUSID keyword 265  
%CADSN keyword 263  
%CAFSEQ keyword 263  
%CALGTM keyword 263  
%CAODSN keyword 250  
%CASEL keyword 263  
%CATIME keyword 263  
%CAUNIT keyword 263  
%CAVCNT keyword 263  
%CAVOLS keyword 263  
%COPIES keyword 291  
%DALTIME keyword 265  
%DBADSAV keyword 266  
%DBADSN keyword 266  
%DBDDN keyword 265, 266  
%DBDSN keyword 266  
%DBDSNRV keyword 266  
%DBDSSEL keyword 266  
%DBNAME keyword 265, 266  
%DBTYPE keyword 265, 266  
%DBUSID keyword 266  
%DDNAME keyword 247  
%DELETE keyword 249  
%ENDDEL keyword 249  
%ENDSEL keyword 246  
%IC2DSN keyword 261  
%IC2FSEQ keyword 261  
%IC2SEL keyword 261  
%IC2UNIT keyword 261  
%IC2VCNT keyword 261  
%IC2VOLS keyword 261  
%ICCAT keyword 261  
%ICDSN keyword 260  
%ICDSN2 keyword 291  
%ICDSN3 keyword 291  
%ICDSN4 keyword 291  
%ICFSEQ keyword 260  
%ICSEL keyword 260  
%ICSTOP keyword 261  
%ICTIME keyword 261  
%ICTYPE keyword 260  
%ICUNIT keyword 261  
%ICUNIT2 keyword 291  
%ICUNIT3 keyword 291  
%ICUNIT4 keyword 291  
%ICUSID keyword 261  
%ICVCNT keyword 261  
%ICVCNT2 keyword 291  
%ICVCNT3 keyword 291  
%ICVCNT4 keyword 291  
%ICVOLS keyword 261  
%ICVOLS2 keyword 291  
%ICVOLS3 keyword 291

%ICVOLS4 keyword 291  
%LOGDSN keyword 258  
%LOGETIM keyword 259  
%LOGFRID keyword 259  
%LOGFSEQ keyword 258  
%LOGLRID keyword 259  
%LOGMERG keyword 259  
%LOGONL keyword 259  
%LOGRMT keyword 259  
%LOGSEL keyword 259  
%LOGSTIM keyword 258  
%LOGUNIT keyword 258  
%LOGVOLS keyword 258  
%OLDCTIM keyword 253  
%OLDFRID keyword 253  
%OLDLRID keyword 253  
%OLDOTIM keyword 253  
%OLDSDDN keyword 253  
%OLDSDSN keyword 253  
%OLDSSEL keyword 253  
%OLDSTYP keyword 253  
%PLGTIME keyword 265  
%SELECT keyword 254  
  description 246  
  specifying the record types 247  
  specifying the syntax 252, 266  
%SET MEMBER keyword 250  
%SET TIMEFMT keyword 251  
%SLDCHKT keyword 256  
%SLDETIM keyword 255  
%SLDFRID keyword 255  
%SLDFSEQ keyword 255  
%SLDLRID keyword 255  
%SLDRMT keyword 255  
%SLDSDDN keyword 255  
%SLDSSEL keyword 255  
%SLDSTIM keyword 255  
%SLDUNIT keyword 255  
%SLDVOLS keyword 255  
%SSID keyword 245  
%TIME keyword  
  as a symbolic keyword 245  
  description 269

## A

ABNORMAL keyword commands  
  CHANGE.SUBSYS 155  
  NOTIFY.SUBSYS 413  
accessibility  
  features ix  
  keyboard shortcuts ix  
ACTIVE keyword  
  CHANGE.DB command 83  
ADD keyword  
  CHANGE.CAGRP command 69  
ADDDDB keyword  
  CHANGE.DBDSGRP command 96  
ADDEQE keyword  
  CHANGE.DBDS command 87

adding information to the RECON data set  
  allocation or deallocation 369  
  backout records 371  
  Database Change Accumulation utility 372  
  database data set or area recovery 393  
  image copy 376  
  nonstandard image copy data sets 414  
  primary online log data set 380  
  primary recovery log data set 384  
  primary system log data set 388  
  secondary online log data set 401  
  secondary recovery log data set 404  
  secondary system log data set 408  
  subsystem 412  
  tracking subsystem log data set 388  
ADDN keyword commands  
  CHANGE.ADS 63  
  DELETE.ADS 173  
  INIT.ADS 304  
  NOTIFY.RECOV 394  
ADDNNEW keyword  
  CHANGE.ADS command 63  
ADSN keyword commands  
  CHANGE.ADS 63  
  INIT.ADS 304  
ALL keyword  
  commands  
    CHANGE.DB 74  
    CHANGE.SUBSYS 154  
    GENJCL.ARCHIVE 191  
    LIST.BKOUT 343  
    LIST.CAGRP 344  
    LIST.DB 346  
    LIST.DBDSGRP 352  
    LIST.SUBSYS 367  
  description 74  
ALLD parameter  
  F irlmproc,STATUS command 715  
ALLI parameter  
  F irlmproc,STATUS command 715  
ALLTIME keyword  
  NOTIFY.ALLOC command 369  
ALTER keyword  
  NOTIFY.REORG 399  
ARCHIVED keyword  
  CHANGE.PRILOG command (for OLDS) 109  
ARCHJCL skeletal JCL execution member 278  
AREA parameter  
  commands  
    CHANGE.ADS 63  
    CHANGE.DBDS 87  
    CHANGE.IC 98  
    CHANGE.UIC 157  
    DELETE.ADS 173  
    DELETE.ALLOC 174

AREA parameter (*continued*)  
 commands (*continued*)  
 DELETE.DBDS 178  
 DELETE.IC 180  
 DELETE.RECOV 186  
 DELETE.UIC 190  
 GENJCL.IC 206  
 GENJCL.OIC 222  
 GENJCL.RECEIVE 227  
 GENJCL.RECOV 232  
 INIT.ADS 304  
 INIT.DBDS 316  
 INIT.IC 324  
 LIST.DBDS 349  
 LIST.HISTORY 356  
 NOTIFY.ALLOC 370  
 NOTIFY.IC 376  
 NOTIFY.RECOV 394  
 NOTIFY.UIC 415  
 defining a data set 303  
 deleting information from RECON 173

AREANew keyword  
 CHANGE.DBDS command 89

ARNEEDED keyword  
 CHANGE.PRILOG command (for OLDS) 109

ARSCHEd keyword  
 CHANGE.PRILOG command (for OLDS) 109

ARSTART keyword  
 CHANGE.PRILOG command (for OLDS) 109

authorization commands  
 CHANGE.DB 72, 75  
 CHANGE.DBDS 85, 88

Automatic RECON Loss Notification  
 DSPSCIX0 130

AVAIL keyword commands  
 CHANGE.ADS 63  
 CHANGE.PRILOG (for OLDS) 109  
 CHANGE.SECLOG (for OLDS) 138, 139  
 INIT.ADS 304

## B

BACKIRLM keyword commands  
 CHANGE.SUBSYS 155

BACKOUT keyword  
 CHANGE.DB command 77

backup  
 creating a copy of RECON 61

BACKUP.RECON command  
 description 61  
 example 62, 421  
 keywords  
 BOTH 61  
 RECON1 61  
 RECON2 61

Base Primitive Environment (BPE)  
 commands 1

batch backout utility  
 adding backout records to the RECON data set 371  
 changing backout records in the RECON data set 64

batch backout utility (*continued*)  
 deleting from RECON 175

batch environment  
 command  
 LIST.SUBSYS 366, 367  
 NOTIFY.SUBSYS 413  
 NOTIFY.SUBSYS command 412

BKO (backout) keyword commands  
 CHANGE.BKOUT 66  
 NOTIFY.BKOUT 372

BOTH keyword  
 BACKUP.RECON command 61

BPE commands 1  
 DISPLAY USEREXIT 23  
 invocation 3  
 REFRESH USEREXIT 33  
 specify IMS component command parameters 3  
 syntax 3  
 Syntax, verb only format 3  
 Syntax, verb-resource type 3  
 wildcard character support 3

BPE DISPLAY VERSION command  
 examples 8  
 keywords 7  
 output 7  
 syntax 7

BPE user-supplied exit routines  
 refresh 33

## C

CADSN keyword commands  
 CHANGE.CA 67  
 INIT.CA 305  
 NOTIFY.CA 372

CAJCL keyword  
 commands  
 CHANGE.CAGRP 69  
 INIT.CAGRP 307

CAJCL parameter  
 skeletal JCL execution member 282

CANCEL ODBA command  
 description 733  
 syntax diagram 733

CATALOG keyword  
 CHANGE.DBDS 87  
 CHANGE.PART 102  
 CHANGE.RECON 125  
 INIT.DB 310  
 INIT.DBDS 316, 398  
 INIT.PART 328  
 INIT.RECON 334

CATDS keyword commands  
 CHANGE.RECON 123  
 INIT.RECON 334

category of records  
 listing records 359

CATIME keyword  
 GENJCL.CA command 198

CFSTR1 keyword  
 CHANGE.DBDS command 88

CFSTR1 keyword INIT.DBDS  
 command 319

CFSTR2 keyword  
 CHANGE.DBDS command 88

CFSTR2 keyword INIT.DBDS  
 command 319

change accumulation  
 data set  
 defining 305  
 selecting 262

group  
 changing information in the RECON 69  
 defining 307  
 deleting information from RECON 176  
 listing 344

CHANGE.ADS command 63  
 CHANGE.BKOUT command 64  
 CHANGE.CA command 66  
 CHANGE.CAGRP command 69  
 CHANGE.DB command 72  
 CHANGE.DBDS command 85  
 CHANGE.DBDSGRP command 95  
 CHANGE.IC command 97  
 CHANGE.PART command 100  
 CHANGE.PRILOG command  
 for OLDS 108  
 for RLDS 110  
 for SLDS 115  
 for TSLDS 119

CHANGE.RECON command 123  
 CHANGE.SECLOG command  
 for OLDS 138  
 for RLDS 140  
 for SLDS 144  
 for TSLDS 149

CHANGE.SG command 153  
 CHANGE.SUBSYS command 154  
 CHANGE.UIC command 157

changing information  
 area data set 63  
 backout records 64  
 CA group record 69  
 database 72  
 database change accumulation utility 66  
 DBDS 85  
 DBDSGRP 95  
 IC data set 97  
 nonstandard image copy data set 157  
 primary online log data set 108  
 primary RLDS 110  
 primary SLDS 115, 119  
 RECON header record 123  
 secondary online log data set 138  
 secondary RLDS 140  
 secondary SLDS 144, 149  
 secondary subsystem entry 154  
 service group 153

CHECK17 keyword commands  
 CHANGE.RECON 129

CHECK17 keyword commands  
 CHANGE.RECON 130  
 INIT.RECON 336

CHECK44 keyword commands  
 CHANGE.RECON 129

CHECK44 keyword commands  
 CHANGE.RECON 130  
 INIT.RECON 336

checking for inconsistencies 419

CHKINT keyword GENJCL.OIC  
 command 222

CHKPTCT keyword commands  
 CHANGE.PRILOG (for RLDS) 111  
 CHANGE.PRILOG (for SLDS) 116  
 CHANGE.PRILOG (for TSLDS) 121  
 CHANGE.SECLOG (for RLDS) 141  
 CHANGE.SECLOG (for SLDS) 146  
 CHANGE.SECLOG (for TSLDS) 150  
 NOTIFY.PRILOG (for RLDS) 385  
 NOTIFY.PRILOG (for SLDS and  
 TSLDS) 390  
 NOTIFY.SECLOG (for RLDS) 406  
 NOTIFY.SECLOG (for SLDS) 410

CIC (concurrent image copy) 206

CIC keyword  
 commands  
 GENJCL.IC 206  
 NOTIFY.IC 376

CIC keyword, commands  
 GENJCL.IC 206  
 NOTIFY.IC 376

CLEANUP.RECON command  
 description 159  
 example 162

CLOSEHWS command 519  
 equivalent IMS Connect type-2 and  
 z/OS commands 520

CMDAUTH  
 CHANGE.RECON 126

CMDAUTH keyword  
 INIT.RECON 335

cold start  
 commands  
 CHANGE.BKOUT 64  
 DELETE.BKOUT 175  
 LIST.BKOUT 343

command  
 CANCEL ODBA 733  
 CHANGE.PART 100  
 DEFINE 691  
 F fdbproc 503  
 F fdbproc,DUMP command 503  
 F fdbproc,RECOVER command 503  
 F fdbproc,STATUS command 503  
 F fdbproc,STOP command 505  
 F fdbproc,TERM command 505  
 F irlmproc,ABEND command 709  
 F irlmproc,DIAG,DELAY  
 command 710  
 F irlmproc,PURGE,imsname  
 command 711  
 F irlmproc,SET command 712  
 F irlmproc,STATUS command 715  
 F jobname,DUMP command 683  
 F jobname,DUMPxxxx command 683  
 F jobname,FORCExxxx 684  
 F jobname,RECONNECT  
 command 685  
 F jobname,RECONNSTR  
 command 686  
 F jobname,STOP command 687  
 F reposervername 739  
 F reposervername,ADMIN  
 command 739  
 F reposervername,AUDIT  
 command 743

command (*continued*)  
 F reposervername,SECURITY  
 command 744  
 F reposervername,SHUTDOWN  
 command 745  
 INIT.PART 326  
 online  
 /RMCHANGE command 50  
 /RMDELETE command 50  
 /RMGENJCL command 50  
 /RMINIT command 50  
 /RMLIST command 50  
 /RMNOTIFY command 50  
 P cqsjob 45  
 P CSL 41  
 P irlmproc 725  
 P reposervername command 749  
 S irlmproc command 721  
 SET 701  
 START 703  
 STOP 705  
 TRACE CT 727

command syntax  
 comment 51  
 continuation characters 51  
 definition 51  
 description for DBRC utility 50  
 parameters 52  
 separators 51

commands  
 equivalent IMS Connect WTOR, z/OS,  
 and type-2 commands 511  
 IMS Connect  
 REFRESH CONVERTER 526  
 REFRESH RACFUID 527  
 SETUIDC 533  
 STARTMSC 538  
 STARTRMT 541  
 STOPLINK 548  
 STOPMSC 550  
 STOPRMT 554  
 STOPSCLN 555  
 VIEWMSC 591  
 VIEWRMT 600  
 prerequisite knowledge vii

commands, IMS Connect  
 CLOSEHWS 519  
 OPENDS 521  
 OPENIP 522  
 OPENPORT 523  
 RECORDER 524  
 REFRESH CONVERTER 526  
 REFRESH RACFUID 527  
 SETOAUTO 528  
 SETPVMC 529  
 SETRACF 531  
 SETRRS 532  
 SETUIDC 533  
 STARTDS 534  
 STARTIA 535  
 STARTIP 536  
 STARTMSC 538  
 STARTOD 539  
 STARTPT 540  
 STARTRMT 541  
 STOPCLNT 543  
 STOPDS 544

commands, IMS Connect (*continued*)  
 STOPIA 545  
 STOPIP 547  
 STOPLINK 548  
 STOPMSC 550  
 STOPD 551  
 STOPPORT 552  
 STOPRMT 554  
 STOPSCLN 555  
 VIEWDS 557  
 VIEWHWS 562  
 VIEWIA 586  
 VIEWIP 589  
 VIEWMSC 591  
 VIEWPORT 595  
 VIEWRMT 600  
 VIEWUOR 604

commands, MVS  
 DELETE CLIENT 608  
 QUERY ALIAS 613  
 QUERY DATASTORE 614  
 QUERY IMSPLEX 619  
 QUERY MEMBER 621  
 QUERY PORT 650  
 QUERY UOR 659  
 SHUTDOWN MEMBER 661  
 UPDATE ALIAS 662  
 UPDATE CONVERTER 663  
 UPDATE DATASTORE 665  
 UPDATE IMSPLEX 666  
 UPDATE MEMBER 668  
 UPDATE ODBM 673  
 UPDATE PORT 675  
 UPDATE RACFUID 676  
 wildcards 608

commands, z/OS 607  
 DELETE LINK 609  
 DELETE SENDCLNT 611  
 invocation 607  
 QUERY MSC 645  
 QUERY RMTIMSCON 655  
 syntax 607  
 UPDATE MSC 671  
 UPDATE RMTIMSCON 677

Common Queue Server (CQS)  
 command 43

Common Service Layer (CSL)  
 commands 37

COMP keyword commands  
 CHANGE.CA 68  
 NOTIFY.CA 372

complex expressions 250

concurrent image copy (CIC)  
 CIC keyword 206

continuation characters 51

control group, skeletal JCL 246

control keywords, skeletal JCL 246, 266

COPIES keyword commands  
 GENJCL.IC 205  
 GENJCL.OIC 222

coupling facility structures (CFSTR1 |  
 2) 319

CQS command 43

CSL commands 37

CSL SHUTDOWN  
 description 39  
 usage notes 39

CSLPLEX SHUTDOWN  
description 39  
syntax 39  
usage notes 39

CSLSHUTDOWN  
syntax 39

CURRENT keyword commands  
NOTIFY.RECOV 394  
NOTIFY.REORG 398  
NOTIFY.UIC 415

## D

DASDUNIT keyword commands  
CHANGE.RECON 127  
INIT.RECON 336

data management block (DMB)  
numbers 419

database  
changing information 72  
data set groups, changing  
information 95  
data set, changing information 85  
defining 309  
deleting information from  
RECON 177  
listing 346

Database Change Accumulation utility  
(DFSUCUM0)

commands  
BACKUP.RECON 61  
CHANGE.ADS 63  
CHANGE.BKOUT 64  
CHANGE.CA 66  
CHANGE.CAGRP 69  
CHANGE.DBDSGRP 95  
CHANGE.IC 97  
CHANGE.PRILOG (for  
OLDS) 108  
CHANGE.PRILOG (for  
SLDS) 115  
CHANGE.PRILOG (for  
TSLDS) 119  
CHANGE.RECON 123  
CHANGE.SECLOG (for  
OLDS) 138  
CHANGE.SECLOG (for  
RLDS) 140  
CHANGE.SECLOG (for  
SLDS) 144  
CHANGE.SECLOG (for  
TSLDS) 149  
CHANGE.SG 153  
CHANGE.SUBSYS 154  
CHANGE.UIC 157  
DELETE.ADS 173  
DELETE.ALLOC 174  
DELETE.BKOUT 175  
DELETE.CA 175  
DELETE.CAGRP 176  
DELETE.DB 177  
DELETE.DBDS 178  
DELETE.DBDSGRP 179  
DELETE.GSG 179  
DELETE.IC 180  
DELETE.LOG (for OLDS) 181  
DELETE.LOG (for RLDS) 182

Database Change Accumulation utility  
(DFSUCUM0) (*continued*)

commands (*continued*)  
DELETE.LOG (for SLDS) 182  
DELETE.RECOV 186  
DELETE.REORG 187  
DELETE.SG 188  
DELETE.SUBSYS 189  
DELETE.UIC 189  
GENJCL.ARCHIVE 191  
GENJCL.CA 195  
GENJCL.CLOSE 200  
GENJCL.IC 203  
GENJCL.OIC 220  
GENJCL.RECEIVE 225  
GENJCL.RECOV 230  
GENJCL.USER 236  
INIT.ADS 303  
INIT.CA 305  
INIT.CAGRP 307  
INIT.DB 309  
INIT.DBDS 315  
INIT.DBDSGRP 321  
INIT.GSG 324  
INIT.IC 324  
INIT.RECON 333  
INIT.SG 340  
LIST.BKOUT 343  
LIST.CAGRP 344  
LIST.DB 346  
LIST.DBDS 349  
LIST.DBDSGRP 352  
LIST.GSG 353  
LIST.HISTORY 355  
LIST.LOG (for a category of  
records) 359  
LIST.LOG (for a PRILOG  
family) 358  
LIST.RECON 363  
NOTIFY.ALLOC 369  
NOTIFY.BKOUT 371  
NOTIFY.CA 372  
NOTIFY.IC 376  
NOTIFY.PRILOG (for OLDS) 380  
NOTIFY.PRILOG (for RLDS) 384  
NOTIFY.PRILOG (for SLDS and  
TSLDS) 388  
NOTIFY.RECOV 393  
NOTIFY.REORG 396  
NOTIFY.SECLOG (for OLDS) 401  
NOTIFY.SECLOG (for RLDS) 404  
NOTIFY.SECLOG (for SLDS) 408  
NOTIFY.UIC 414  
REPAIR.RECON 419  
RESET.GSG 417

Database Change Accumulation utility

JCL

adding information to the RECON  
data set 372  
changing information about a run 66  
Database Change Accumulation utility  
JCL  
skeletal JCL 282  
deleting information from  
RECON 175  
generating a job 195

Database Image Copy utility  
(DFSUDMP0)

adding information to the RECON  
data set 376  
generating a job 203  
skeletal JCL 287  
database recovery  
defining groups 321  
database recovery control  
changing information 97  
changing partition information 100  
data set, checking for inconsistent  
DMB numbers 419  
data set, creating a backup copy 61  
data set, deleting old  
information 159  
data set, rebuilding the DMB Table  
record 419  
data set, repairing inconsistent DMB  
numbers 419  
Database Recovery Control (DBRC)  
commands 47  
Database Recovery Control utility  
(DSPURX00)  
generating a job 230, 236  
GENJCL.RECOV command 230

databases

RECON data set  
reorganization record 396  
reorganizing  
RECON data set, adding a  
reorganization record 396

DBCTL (database control)

starting subsystem  
START irlmproc 721

DBD keyword commands

CHANGE.ADS 63  
CHANGE.BKOUT 66  
CHANGE.DB 74  
CHANGE.DBDS 87  
CHANGE.IC 98  
CHANGE.UIC 157  
DELETE.ADS 173  
DELETE.ALLOC 174  
DELETE.DB 177  
DELETE.DBDS 178  
DELETE.IC 180  
DELETE.PART 186  
DELETE.RECOV 186  
DELETE.REORG 187  
DELETE.UIC 190  
GENJCL.IC 205  
GENJCL.OIC 221  
GENJCL.RECEIVE 226  
GENJCL.RECOV 231  
GENJCL.USER 237  
INIT.ADS 304  
INIT.DB 309  
INIT.DBDS 315  
INIT.IC 324  
LIST.DB 346  
sample listing 423  
LIST.DBDS 349  
LIST.HISTORY 355  
sample listing 423  
NOTIFY.ALLOC 369  
NOTIFY.BKOUT 371

DBD keyword commands (*continued*)  
 NOTIFY.IC 376  
 NOTIFY.RECOV 394  
 NOTIFY.UIC 414

DBDS (database data set)  
 commands 231  
 GENJCL.RECOV 231  
 LIST.DB 346  
 NOTIFY.RECOV 394  
 defining 315  
 listing 349  
 qualifier 248  
 RECON data set, deleting information  
 from 178, 180  
 selecting DBDS records 263, 265

DBDS (database data set) group  
 defining 321  
 deleting information from  
 RECON 179  
 LIST command 352

DBQUI keyword  
 CHANGE.DB command 76  
 CHANGE.DBDS command 89

DBQUIH keyword  
 CHANGE.DB command 76  
 CHANGE.DBDS command 89

DBQUIH keyword commands  
 GENJCL.IC 206

DBRC  
 adding records  
 database reorganizations 396  
 reorganization record 396

DBRC (Database Recovery Control)  
 commands  
 introduction 49  
 online commands 50  
 time stamp 52

DBRC commands 47  
 NOTIFY.REORG 397

DBTRACK keyword  
 CHANGE.DB command 81  
 CHANGE.DBDS command 93

DDN keyword commands  
 CHANGE.DBDS 87  
 CHANGE.IC 98  
 CHANGE.UIC 157  
 DELETE.ALLOC 174  
 DELETE.DBDS 178  
 DELETE.IC 180  
 DELETE.RECOV 186  
 DELETE.REORG 187  
 DELETE.UIC 190  
 GENJCL.IC 206  
 GENJCL.OIC 222  
 GENJCL.RECEIVE 227  
 GENJCL.RECOV 232  
 GENJCL.USER 238  
 INIT.DBDS 316  
 INIT.IC 324  
 LIST.DBDS 349  
 LIST.HISTORY 356  
 NOTIFY.ALLOC 370  
 NOTIFY.IC 376  
 NOTIFY.RECOV 394  
 NOTIFY.REORG 398  
 NOTIFY.UIC 415

DDNNEW keyword  
 CHANGE.DBDS command 89

DEADLOCK= parameter  
 START irmlproc command 721

DEALTIME keyword command  
 NOTIFY.ALLOC 370  
 default members 243, 267

DEFAULTS keyword commands  
 GENJCL.ARCHIVE 192  
 GENJCL.CA 196  
 GENJCL.CLOSE 200  
 GENJCL.IC 212  
 GENJCL.OIC 222  
 GENJCL.RECEIVE 227  
 GENJCL.RECOV 232  
 GENJCL.USER 238

defining  
 DB groups 321  
 DBDS groups 321  
 recovery groups 321

DEFLTJCL keyword  
 CHANGE.CAGRP 69  
 CHANGE.DBDS 89  
 INIT.CAGRP 307  
 INIT.DBDS 317

DELEQE keyword  
 CHANGE.DBDS command 87

DELETE CLIENT command  
 equivalent IMS Connect type-2 and  
 WTOR commands 609  
 example 608  
 syntax 608  
 usage 608

DELETE command 608  
 CLIENT 608

delete group 249

DELETE keyword commands  
 CHANGE.BKOUT 65  
 CHANGE.CAGRP 69

DELETE LINK command 609  
 equivalent IMS Connect type-2 and  
 WTOR commands 611

DELETE SENDCLNT command 611  
 equivalent IMS Connect type-2 and  
 WTOR commands 612

DELETE.ADS command 173  
 DELETE.ALLOC command 174  
 DELETE.BKOUT command 175  
 DELETE.CA command 175  
 DELETE.CAGRP command 176  
 DELETE.DB command 177  
 DELETE.DBDS command 178  
 DELETE.DBDSGRP command 179  
 DELETE.GSG command 179  
 DELETE.IC command 180  
 DELETE.LOG command (for OLDS) 181  
 DELETE.LOG command (for RLDS) 182  
 DELETE.LOG command (for SLDS) 182  
 DELETE.PART command  
 DBD keyword 186  
 PART keyword 186  
 syntax 185  
 DELETE.RECOV command 186  
 DELETE.REORG command 187  
 DELETE.SG command 188  
 DELETE.SUBSYS command 189  
 DELETE.UIC command 189

deleting information  
 all change accumulation group  
 records 176  
 all database data set records 178  
 all database records 177  
 allocation record of database data  
 set 174  
 area data set 173  
 backout record 175  
 change accumulation run record 175  
 database data set group records 179  
 global service group records 179  
 image copy data set records 180  
 nonstandard image copy data  
 sets 189  
 online log data set records 181  
 recovery log data set records 182  
 recovery run record 186  
 reorganization records 187  
 service group records 188  
 subsystem records 189  
 system log data set records 182

DELMEM keyword, CHANGE.DBDSGRP  
 command 96

DFSUCUM0 (Database Change  
 Accumulation utility) 270

DFSUDMP0 (Database Image Copy  
 utility) 272

DFSUICP0 (Online Database Image Copy  
 utility) 272

DFSULTR0 (Log Recovery utility)  
 generating a job 200

DISPLAY TRACETABLE  
 keywords 9  
 output 9  
 syntax 9  
 usage notes 16

DISPLAY TRACETABLE command 9  
 BPE-defined trace table types 9  
 CQS-defined trace tables 9  
 OM-defined trace tables 9  
 Repository-Server-defined trace table  
 types 9  
 RM-defined trace tables 9  
 SCI-defined trace table types 9

DISPLAY USEREXIT command  
 BPE user exit types 24  
 CQS user exit types 24  
 DBRC user exit types 24  
 examples 28  
 HWS user exit types 24, 31  
 ODBM user exit types 25, 32  
 OM user exit types 25  
 output 28  
 RM user exit types 25  
 SCI user exit types 25  
 syntax 23  
 usage notes 23

DMB (data management block)  
 numbers 419

DMB Table record 419

DSN commands  
 CHANGE.DBDS 89  
 CHANGE.PRILOG (for OLDS) 109  
 CHANGE.PRILOG (for RLDS) 111  
 CHANGE.PRILOG (for SLDS) 116  
 CHANGE.PRILOG (for TSLDS) 121

DSN commands (*continued*)  
 CHANGE.SECLOG (for OLDS) 139  
 CHANGE.SECLOG (for SLDS) 146  
 CHANGE.SECLOG (for TSLDS) 150  
 INIT.DBDS 316  
 NOTIFY.PRILOG (for OLDS) 380  
 NOTIFY.PRILOG (for RLDS) 384  
 NOTIFY.PRILOG (for SLDS) 389  
 NOTIFY.PRILOG (for TSLDS) 389  
 NOTIFY.SECLOG (for OLDS) 402  
 NOTIFY.SECLOG (for RLDS) 405  
 NOTIFY.SECLOG (for SLDS) 410  
 DSPSCIX0 exit 130  
 DSSN keyword NOTIFY.ALLOC  
 command 370  
 DSSTART keyword commands  
 CHANGE.PRILOG (for RLDS) 112  
 CHANGE.PRILOG (for SLDS) 116  
 CHANGE.PRILOG (for TSLDS) 121  
 CHANGE.SECLOG (for RLDS) 141  
 CHANGE.SECLOG (for SLDS) 146  
 CHANGE.SECLOG (for TSLDS) 151  
 DUAL keyword  
 CHANGE.RECON command 128

## E

ENDRECOV keyword commands  
 CHANGE.SUBSYS 156  
 NOTIFY.SUBSYS 414  
 examples  
 F irlmproc,SET command  
 TIMEOUT 714  
 TRACE=nnn 714  
 F irlmproc,STATUS command 716  
 TRACE CT 729

## F

F fdbproc,DUMP command  
 description 503  
 syntax diagram 503  
 F fdbproc,RECOVER command  
 description 503  
 syntax diagram 503  
 F fdbproc,STATUS command  
 description 503  
 syntax diagram 503  
 F fdbproc,STOP command  
 description 505  
 syntax diagram 505  
 F fdbproc,TERM command  
 description 505  
 syntax diagram 505  
 F irlmproc,ABEND command  
 description 709  
 examples 709  
 syntax diagram 709  
 F irlmproc,DIAG,DELAY command  
 description 710  
 syntax diagram 710  
 F irlmproc,PURGE,imsname command  
 description 711  
 example 711  
 syntax diagram 711

F irlmproc,SET command  
 description 712  
 examples  
 TIMEOUT 714  
 TRACE=nnn 714  
 irlmproc parameter 712  
 restrictions 714  
 syntax diagram 712  
 TRACE=nnn parameter 714

F irlmproc,STATUS command  
 ALLD parameter 715  
 ALLI parameter 715  
 description 715  
 examples 716  
 irlmx parameter 715  
 STOR parameter 715  
 syntax diagram 715  
 TRACE parameter 715

F jobname,DUMP command  
 description 683  
 example 683  
 syntax diagram 683

F jobname,DUMPxxxx command  
 description 683  
 examples 684  
 syntax diagram 683

F jobname,FORCExxxx command  
 description 684  
 examples 685  
 syntax diagram 684

F jobname,RECONNECT command  
 description 685  
 example 685  
 syntax diagram 685

F jobname,RECONNSTR command  
 description 686  
 syntax diagram 686

F jobname,STOP command  
 description 687  
 example 687  
 syntax diagram 687

F jobname,STOPxxxx command  
 description 687  
 examples 688  
 syntax diagram 687

F reposervername,ADMIN command  
 description 739  
 examples 741  
 syntax diagram 739

F reposervername,AUDIT command  
 description 743  
 examples 743  
 syntax diagram 743

F reposervername,SECURITY command  
 description 744  
 examples 745  
 syntax diagram 744

F reposervername,SHUTDOWN  
 command  
 description 745  
 examples 746  
 syntax diagram 745

Fast Database Recovery (FDBR)  
 commands 501  
 FDBR commands 501  
 FILESEQ keyword commands  
 CHANGE.CA 67

FILESEQ keyword commands (*continued*)  
 CHANGE.IC 98  
 CHANGE.PRILOG (for RLDS) 112  
 CHANGE.PRILOG (for SLDS) 117  
 CHANGE.PRILOG (for TSLDS) 122  
 CHANGE.SECLOG (for RLDS) 142  
 CHANGE.SECLOG (for SLDS) 146  
 CHANGE.SECLOG (for TSLDS) 151  
 INIT.CA 305  
 INIT.IC 324  
 NOTIFY.CA 372  
 NOTIFY.IC 376  
 NOTIFY.PRILOG (for RLDS) 385  
 NOTIFY.PRILOG (for SLDS and  
 TSLDS) 391  
 NOTIFY.REORG 399  
 NOTIFY.SECLOG (for RLDS) 406  
 NOTIFY.SECLOG (for SLDS or  
 TSLDS) 410

FILESEQ2 keyword commands  
 CHANGE.IC 98  
 INIT.IC 324  
 NOTIFY.IC 376  
 NOTIFY.REORG 399  
 FORCE ODBA command  
 description 735

FORCER keyword commands  
 CHANGE.RECON 128  
 INIT.RECON 336  
 FPAREA keyword, GENJCL.RECOV  
 command 231

FROMTIME keyword commands  
 LIST.HISTORY 356  
 LIST.LOG 361

full-precision time stamp  
 parameters 59  
 FULLSEG keyword  
 CHANGE.DB command 76  
 CHANGE.DBDS 90  
 INIT.DB command 312

FULLSEG parameter  
 INIT.DBDS command 320

## G

GAP keyword, CHANGE.PRILOG (for  
 RLDS) 112, 113  
 Generalized Trace Facility (GTF) USR  
 records 133  
 generating a job  
 Change Accumulation utility 195  
 Database Image Copy utility 203  
 Database Recovery utility 230, 236  
 Log Archive utility 191  
 Log Recovery utility 200  
 Online Database Image Copy  
 utility 220  
 generating JCL 241  
 generating user output 241  
 GENJCL command 241  
 GENJCL commands, description 241  
 GENJCL.ARCHIVE command  
 syntax 191  
 TIMEFMT keyword 193  
 GENJCL.CA command 195  
 TIMEFMT keyword 197  
 GENJCL.CLOSE command 200



GENJCL.CLOSE command (*continued*)  
 TIMEFMT keyword 201  
 GENJCL.IC command 203  
 SMSNOCIC keyword 206  
 SMSOFFLC keyword 206  
 SMSONLC keyword 206  
 TIMEFMT keyword 213  
 GENJCL.OIC command 220  
 TIMEFMT keyword 223  
 GENJCL.RECEIVE command 225  
 TIMEFMT keyword 228  
 GENJCL.RECOV command 230  
 keywords  
 USEAREA 234  
 USEDBDS 234  
 USEIC 234  
 USEOLRRG 234  
 RESTORE keyword 233  
 TIMEFMT keyword 233  
 GENJCL.USER command 236  
 TIMEFMT keyword 239  
 GENMAX parameter  
 of the INIT.DBDS command 316  
 global service group  
 deleting information 179  
 listing 353  
 resetting 417  
 GROUP keyword commands 205  
 GENJCL.IC 205  
 GENJCL.OIC 221  
 GENJCL.RECEIVE 226  
 GENJCL.RECOV 231  
 GENJCL.USER 237  
 LIST.DBDS 349  
 LIST.HISTORY 355  
 GRPMAX keyword commands  
 CHANGE.CAGRP 69  
 INIT.CAGRP 307  
 GRPMEM keyword  
 INIT.CAGRP command 307  
 GRPNAME keyword commands  
 CHANGE.CA 67  
 CHANGE.CAGRP 69  
 CHANGE.DBDSGRP 95  
 DELETE.CA 175  
 DELETE.CAGRP 176  
 DELETE.DBDSGRP 179  
 GENJCL.CA 196  
 INIT.CA 305  
 INIT.CAGRP 307  
 INIT.DBDSGRP 322  
 LIST.CAGRP 344  
 LIST.DBDSGRP 352  
 NOTIFY.CA 372  
 GSG keyword commands  
 CHANGE.PRILOG (for RLDS) 112  
 CHANGE.PRILOG (for SLDS) 117  
 CHANGE.SECLOG (for RLDS) 142  
 CHANGE.SECLOG (for SLDS) 147  
 CHANGE.SECLOG (for TSLDS) 151  
 GSGNAME keyword commands  
 CHANGE.DB 77  
 CHANGE.DBDS command 90  
 GTF (Generalized Trace Facility) USR  
 records 133

## H

HALDB partition  
 registering 326  
 HISTORY command 355, 423

## I

ICDSN keyword commands  
 CHANGE.IC 98  
 defining 324  
 INIT.IC 324  
 NOTIFY.IC 376  
 NOTIFY.REORG 399  
 RECON  
 adding information 393  
 changing information 97  
 selecting 259  
 ICDSN2 keyword commands  
 CHANGE.IC 98  
 DELETE.IC 181  
 INIT.IC 324  
 NOTIFY.IC 376  
 NOTIFY.REORG 399  
 ICJCL keyword  
 commands  
 CHANGE.DBDS 90  
 GENJCL.CA 196  
 GENJCL.CLOSE 200  
 GENJCL.OIC 222  
 GENJCL.RECEIVE 227  
 GENJCL.RECOV 232  
 GENJCL.USER 238  
 INIT.DBDS 317  
 ICJCL parameter  
 skeletal JCL execution member 287  
 ICOFF keyword  
 CHANGE.DBDS command 91  
 ICON keyword  
 CHANGE.DBDS command 91  
 ICRCVJCL parameter  
 skeletal JCL execution member 294  
 ICREQ keyword  
 CHANGE.DB command 77  
 INIT.DB command 311  
 ICREQ keyword INIT.DB command 311  
 image copy 2 JCL 287  
 IMS Connect  
 commands 519  
 DELETE LINK 609  
 DELETE SENDCLNT 611  
 QUERY MSC command 645  
 QUERY RMTIMSCON command 655  
 type-2 commands 517  
 UPDATE MSC 671  
 UPDATE RMTIMSCON 677  
 IMS control region commands 681  
 IMS subsystem  
 starting  
 START irlmproc 721  
 IMSplex  
 OPENIP command 522  
 STARTIP command 536  
 STOPIP command 547  
 VIEWIP command 589  
 IMSPLEX  
 CHANGE.RECON 129

IMSPLEX (*continued*)  
 DSPSCIX0 130  
 INACTIVE keyword  
 DELETE.LOG command (for RLDS  
 and SLDS) 182  
 INIT.ADS command  
 description 303  
 INIT.CA command 305  
 INIT.CAGRP command 307  
 INIT.DB command  
 description 309  
 INIT.DBDS command  
 description 315  
 INIT.DBDSGRP command 321  
 INIT.GSG command 324  
 INIT.IC command 324  
 INIT.PART command 326  
 INIT.RECON command  
 description 333  
 INIT.SG command 340  
 initialize  
 area data set 303  
 change accumulation data set 305  
 change accumulation group 307  
 database 309  
 database data set 315  
 database data set groups 321  
 global service group 324  
 image copy data sets 324  
 RECON header records 333  
 service group 340  
 INTERIM keyword commands  
 DELETE.LOG (for OLDS) 181  
 DELETE.LOG (for RLDS and  
 SLDS) 184  
 NOTIFY.PRILOG (for OLDS) 381  
 NOTIFY.PRILOG (for RLDS) 386  
 NOTIFY.PRILOG (for SLDS and  
 TSLDS) 391  
 NOTIFY.SECLOG (for OLDS) 403  
 NOTIFY.SECLOG (for RLDS) 407  
 NOTIFY.SECLOG (for SLDS or  
 TSLDS) 411  
 INVALID keyword commands  
 CHANGE.CA 67  
 CHANGE.IC 98  
 INVALID2 keyword  
 CHANGE.IC command 99  
 description 99  
 IRLM commands 707  
 IRLMGRP= parameter  
 START irlmproc command 722  
 IRLMID keyword commands  
 CHANGE.SUBSYS 155  
 NOTIFY.SUBSYS 413  
 IRLMID= parameter  
 START irlmproc command 722  
 IRLMNM= parameter  
 START irlmproc command 722  
 irlmproc parameter  
 F irlmproc,SET command 712  
 irlmx parameter  
 F irlmproc,STATUS command 715

## J

- JCL (job control language)
  - generating 241
- JCLOUT keyword
  - command GENJCL.ARCHIVE 192
  - commands
    - GENJCL.IC 212
- JCLOUT parameter
  - skeletal JCL 242
- JCLPDS keyword
  - commands 192
    - GENJCL.ARCHIVE 192
    - GENJCL.CA 196
    - GENJCL.CLOSE 200
    - GENJCL.IC 212
    - GENJCL.OIC 222
    - GENJCL.RECEIVE 227
    - GENJCL.RECOV 232
    - GENJCL.USER 238
- JCLPDS parameter
  - skeletal JCL 242
- JOB keyword commands
  - GENJCL.ARCHIVE 192
  - GENJCL.CA 196
  - GENJCL.CLOSE 201
  - GENJCL.IC 212
  - GENJCL.OIC 223
  - GENJCL.RECEIVE 227
  - GENJCL.RECOV 232
  - GENJCL.USER 238
- JOBJCL
  - skeletal JCL execution member 277

## K

- keyboard shortcuts ix
- keyword

- %IC 291
- %ICDSN2 291
- %ICDSN3 291
- %ICDSN4 291
- %ICUNIT2 291
- %ICUNIT3 291
- %ICUNIT4 291
- %ICVCNT2 291
- %ICVCNT3 291
- %ICVCNT4 291
- %ICVOLS2 291
- %ICVOLS3 291
- %ICVOLS4 291
- substitution 245

### keywords

- NOOWNER 80
- NORECOV 400
- OFFLINE 399
- OLRBYTES 79
- OLRCAP 79, 313
- OLRDBDS 80
- OLRIMSID 80
- OLRNOCAP 79, 313
- OLRNOREL 79
- OLRREL 79
- OLRRGOFF 80
- OLRRGON 80
- OLRROOTS 79
- OLRSEGS 80

### keywords (continued)

- ONLINE 399
- RECOV 400
- STOPTIME 400
- keywords, symbolic 241

## L

- legal notices
  - notices 753
  - trademarks 753, 755
- LIST keyword commands
  - GENJCL.ARCHIVE 193
  - GENJCL.CA 197
  - GENJCL.CLOSE 201
  - GENJCL.IC 212
  - GENJCL.OIC 223
  - GENJCL.RECEIVE 228
  - GENJCL.RECOV 232
  - GENJCL.USER 239
- LIST.BKOUT command 343
- LIST.CAGRP command 344
- LIST.DB command 346
  - sample listing 423
- LIST.DBDS command 349
- LIST.DBDSGRP command 352
- LIST.GSG command 353
- LIST.HISTORY command 355
  - sample listing 423
- LIST.LOG (for a category of records)
  - command 359
- LIST.LOG (for a PRILOG family)
  - command 358
- LIST.RECON command
  - ALLOC record fields 495
  - BACKOUT record fields 477
  - CA record fields 479
  - CAGRP record fields 478
  - Data group record fields 481
  - DB (Fast Path) record fields 489
  - DB (HALDB) record fields 483
  - DB (IMS) record fields 481
  - DB (PART) record fields 485
  - DBDS (Fast Path) record fields 491
  - DBDS (non-Fast Path) record fields 490
    - description 363
    - fields displayed by command 466, 473, 499
  - GSG record fields 475
  - IMAGE record fields 496
  - Log record fields 471
  - Online log record fields 474
  - RECON record fields 467
  - REORG record fields 498
  - sample listing 423
  - SSYS record fields 476
- LIST.SUBSYS command 366
- listing
  - backout records 343
  - category of records 359
  - change accumulation group 344
  - database 346
  - database data set 349
  - database groups 352
  - database histories 355, 423
  - databases 423

### listing (continued)

- global service group 353
- PRILOG family 358
- RECON 363, 423
- subsystem 366
- LKASID keyword
  - CHANGE.DBDS command 91
- LKASID parameter
  - INIT.DBDS command 319
- LOCKTAB= parameter
  - START irlmproc command 722
- Log Recovery utility (DFSULTR0)
  - generating a job 200
- LOGCLJCL skeletal JCL execution member 285
- LOGRET keyword of
  - CHANGE.RECON 131
- LOGRET parameter
  - INIT.RECON 337

## M

- MAS parameter
  - INIT.DBDS command 320
- MAXCSA= parameter
  - START irlmproc command 722
- maximum number of generations, image copy data sets, GENMAX keyword 89, 316
- MAXOLDS keyword GENJCL.ARCHIVE command 193
- MAXUSRS= parameter
  - START irlmproc command 722
- MEMBER keyword
  - GENJCL.ARCHIVE command 193
  - GENJCL.CA 197
  - GENJCL.CLOSE 201
  - GENJCL.IC 213
  - GENJCL.OIC 223
  - GENJCL.RECEIVE 228
  - GENJCL.RECOV 233
  - GENJCL.USER 237
  - INIT.DBDSGRP 322
- members 243
- MODIFY FDBRPROC commands
  - DUMP 503
  - RECOVER 503
  - STATUS 503
  - STOP 505
  - TERM 505
- MODIFY IMS commands
  - DUMP 683
  - DUMPxxxx 683
  - FORCExxxx 684
  - RECONNECT 685
  - RECONNSTR 686
  - STOP 687
  - STOPxxxx 687
- MODIFY irlmproc commands
  - ABEND 709
  - DIAG,DELAY 710
  - PURGE,imsname 711
  - SET 712
  - STATUS 715
- MODIFY reposervername commands
  - ADMIN 739
  - AUDIT 743

MODIFY reposername commands  
(continued)

SECURITY 744  
SHUTDOWN 745

MULTIJOB keyword commands

GENJCL.IC 213  
GENJCL.OIC 223  
GENJCL.RECOV 233  
GENJCL.USER 239

## N

NEWTIME keyword commands

CHANGE.PRILOG (for RLDS) 112  
CHANGE.PRILOG (for SLDS) 117  
CHANGE.PRILOG (for TSLDS) 122  
CHANGE.SECLOG (for RLDS) 142  
CHANGE.SECLOG (for SLDS) 147  
CHANGE.SECLOG (for TSLDS) 151

NEWVOL keyword commands

CHANGE.PRILOG (for RLDS) 113  
CHANGE.PRILOG (for SLDS) 117  
CHANGE.PRILOG (for TSLDS) 122  
CHANGE.SECLOG (for RLDS) 142  
CHANGE.SECLOG (for SLDS) 147  
CHANGE.SECLOG (for TSLDS) 152

NOAUTH keyword commands

CHANGE.DB 75  
CHANGE.DBDS 88

NOBACK keyword

CHANGE.DB command 77

NOBACKUP keyword

CHANGE.SUBSYS command 155

NOCATALG keyword

CHANGE.DBDS 87  
CHANGE.PART 102  
CHANGE.RECON 125  
INIT.DB 310  
INIT.DBDS 316, 398  
INIT.PART 328  
INIT.RECON 334

NOCATDS keyword commands

CHANGE.RECON 123  
INIT.RECON 334

NOCFSTR2 keyword

CHANGE.DBDS command 88

NOCHECK keyword

CHANGE.RECON 129, 130

NOCHECK parameter

INIT.RECON 336

NODBQUI keyword

CHANGE.DB command 76  
CHANGE.DBDS command 89

NODBQUIH keyword

CHANGE.DB command 76  
CHANGE.DBDS command 89

NODBQUIH keyword commands

GENJCL.IC 206

NODEFLT keyword commands

CHANGE.CAGRP 69  
GENJCL.CA 197  
GENJCL.IC 213  
GENJCL.OIC 223  
GENJCL.RECOV 233  
GENJCL.USER 239

NOFORCER keyword commands

CHANGE.RECON 128

NOFORCER keyword commands  
(continued)

INIT.RECON 336

NOFULLSG keyword

CHANGE.DB command 76  
CHANGE.DBDS 90  
INIT.DB command 312

NOFULLSG parameter

INIT.DBDS command 320

NOICREQ keyword

CHANGE.DB command 77  
INIT.DB command 311

NOICREQ keyword INIT.DB  
command 311

NOJOB keyword commands

GENJCL.ARCHIVE 192  
GENJCL.CA 196  
GENJCL.CLOSE 201  
GENJCL.IC 212  
GENJCL.OIC 223  
GENJCL.RECEIVE 227  
GENJCL.RECOV 232  
GENJCL.USER 238

NOLIST keyword commands

GENJCL.ARCHIVE 193  
GENJCL.CA 197  
GENJCL.CLOSE 201  
GENJCL.IC 212  
GENJCL.OIC 223  
GENJCL.RECEIVE 228  
GENJCL.RECOV 232  
GENJCL.USER 239

NOLKASID keyword

CHANGE.DBDS command 91

NOLKASID parameter

INIT.DBDS command 319

NOMAS parameter

INIT.DBDS command 320

NONEW keyword commands 339

CHANGE.RECON 132  
INIT.RECON 339

NONRECOV keyword

CHANGE.DB 78

nonstandard image copy data sets  
RECON

adding information 414  
changing information 157  
deleting information 189

NOOWNER keyword 80

NOPREL keyword

CHANGE.DBDS command 91

NOPREO keyword

CHANGE.DBDS command 92

NORECOV keyword

CHANGE.DBDS command 93  
NOTIFY.REORG 400

NOREUSE keyword

CHANGE.DBDS 92  
command

CHANGE.CAGRP 69

INIT.CAGRP 307

INIT.DBDS 317

NORMAL keyword commands

CHANGE.PRILOG (for OLDS) 109  
CHANGE.PRILOG (for RLDS) 112  
CHANGE.PRILOG (for SLDS) 116  
CHANGE.PRILOG (for TSLDS) 121

NORMAL keyword commands  
(continued)

CHANGE.SECLOG (for OLDS) 139  
CHANGE.SECLOG (for RLDS) 142  
CHANGE.SECLOG (for SLDS) 146  
CHANGE.SECLOG (for TSLDS) 151  
CHANGE.SUBSYS 155

NOTIFY.SUBSYS 413

NOTCOVER keyword

CHANGE.DB command 77  
CHANGE.DBDS command 90

NOTIFY.ALLOC command 369

NOTIFY.BKOUT command 371

NOTIFY.CA command 372

NOTIFY.PRILOG command (for  
RLDS) 380

NOTIFY.PRILOG command (for  
RLDS) 384

NOTIFY.PRILOG command (for SLDS  
and TSLDS) 388

NOTIFY.RECOV command 393

NOTIFY.REORG

ALTER 399

NOTIFY.REORG command 396

NOTIFY.SECLOG command (for  
OLDS) 401

NOTIFY.SECLOG command (for  
RLDS) 404

NOTIFY.SECLOG command (for  
SLDS) 408

NOTIFY.SUBSYS command 412

NOTIFY.UIC command

description 414

NOVSO keyword 93

CHANGE.DBDS 93

INIT.DBDS 319

NXTOLDS keyword commands

NOTIFY.PRILOG (for OLDS) 382  
NOTIFY.SECLOG (for OLDS) 403

## O

ODBA commands 731

OFFLINE keyword 399

OICJCL keyword

commands 92

CHANGE.DBDS 92

INIT.DBDS 318

OICJCL parameter

skeletal JCL execution member 292

OLDS (online log data set)

changing information 108, 138  
commands

CHANGE.PRILOG 109

CHANGE.SECLOG 139

DELETE.LOG (for OLDS) 181

GENJCL.ARCHIVE 191

GENJCL.CLOSE 201

NOTIFY.PRILOG (for OLDS) 380

NOTIFY.SECLOG (for OLDS) 402

RECON

adding information 380, 401

deleting information 181

selecting in JCL 252

OLDVOL keyword commands

CHANGE.PRILOG (for RLDS) 113

CHANGE.PRILOG (for SLDS) 118

OLDVOL keyword commands *(continued)*  
 CHANGE.PRILOG (for TSLDS) 122  
 CHANGE.SECLOG (for RLDS) 143  
 CHANGE.SECLOG (for SLDS) 147  
 CHANGE.SECLOG (for TSLDS) 152

OLRBYTES keyword 79  
 OLRCAP keyword 79, 313  
 OLRDBDS keyword 80  
 OLRIMSID keyword 80  
 OLRNOCAP keyword 79, 313  
 OLRNOREL keyword 79  
 OLRREL keyword 79  
 OLRROFF keyword 80  
 OLRRGON keyword 80  
 OLRROOTS keyword 79  
 OLRSEGS keyword 80  
 ONEJOB keyword commands  
 GENJCL.IC 213  
 GENJCL.OIC 223  
 GENJCL.RECOV 233  
 GENJCL.USER 239  
 online commands 50  
 Online Database Image Copy utility (DFSUICP0)  
 generating a job 220  
 Online Database Image Copy utility JCL 292  
 ONLINE keyword 399  
 ONLINE keyword commands  
 NOTIFY.IC 376  
 NOTIFY.SUBSYS 413  
 ONLINE keyword commands  
 LIST.SUBSYS 367  
 Open Database Access (ODBA) commands 731  
 OPENDS command 521  
 equivalent IMS Connect type-2 and z/OS commands 522  
 OPENIP command 522  
 equivalent IMS Connect type-2 and z/OS commands 523  
 OPENPORT command 523  
 equivalent IMS Connect type-2 and z/OS commands 524

**P**

P cqsjob command  
 description 45  
 syntax diagram 45  
 P CSL command  
 description 41  
 keywords 41  
 shutdown 41  
 syntax diagram 41  
 P irlmproc command  
 description 725  
 example 725  
 syntax diagram 725  
 P reposervername command  
 description 749  
 syntax diagram 749  
 parameter  
 record type 247  
 selection criteria 248  
 PART keyword  
 DELETE.PART 186

PC= parameter  
 START irlmproc command 723  
 PRELOAD keyword  
 CHANGE.DBDS command 91  
 PREOPEN keyword  
 CHANGE.DBDS command 92  
 PRILOG family  
 listing records 358  
 PSB keyword commands 66  
 CHANGE.BKOUT 66  
 GENJCL.OIC 222  
 GENJCL.USER 239  
 NOTIFY.BKOUT 371  
 PURGLIST keyword  
 NOTIFY.CA command 372

## Q

QUERY ALIAS  
 example 613  
 syntax 613  
 usage 613  
 QUERY ALIAS command 613  
 equivalent IMS Connect type-2 and WTOR commands 614  
 QUERY command  
 DB keyword  
 command comparison 741  
 similar to IMS commands 741  
 QUERY DATASTORE command 614  
 equivalent IMS Connect type-2 and WTOR commands 615  
 example 614  
 syntax 614  
 usage 614  
 QUERY IMSPLEX command 619  
 equivalent IMS Connect type-2 and WTOR commands 620  
 example 619  
 syntax 619  
 usage 619  
 QUERY MEMBER command 621  
 equivalent IMS Connect type-2 and WTOR commands 621  
 example 621  
 output fields 622  
 syntax 621  
 usage 621  
 QUERY MSC command 645  
 equivalent IMS Connect type-2 and WTOR commands 646  
 output fields 646  
 QUERY PORT command 650  
 equivalent IMS Connect type-2 and WTOR commands 650  
 example 650  
 syntax 650  
 usage 650  
 usage notes 650  
 QUERY RMTIMSCON command 655  
 equivalent IMS Connect type-2 and WTOR commands 656  
 QUERY UOR command 659  
 equivalent IMS Connect type-2 and WTOR commands 660  
 example 659  
 syntax 659

QUERY UOR command *(continued)*  
 usage 659

## R

RCVTIME keyword  
 GENJCL.RECOV 233  
 NOTIFY.RECOV 394  
 RCVTRACK keyword  
 CHANGE.DB command 81  
 CHANGE.DBDS command 93  
 READOFF keyword  
 CHANGE.DB command 81  
 READON keyword  
 CHANGE.DB command 81  
 rebuilding 419  
 RECDCT keyword commands  
 CHANGE.IC 99  
 NOTIFY.IC 376  
 NOTIFY.REORG 399  
 RECON  
 sample listing 423  
 RECON data set  
 adding records  
 database reorganizations 396  
 reorganization record 396  
 RECON1 keyword  
 BACKUP.RECON command 61  
 record type parameter 247  
 RECORDER command 524  
 equivalent IMS Connect type-2 and z/OS commands 525  
 RECOV keyword  
 NOTIFY.REORG 400  
 RECOVABL keyword  
 CHANGE.DB 78  
 INIT.DB 310  
 recovery  
 CHANGE.DBDS 93  
 database data set or area, adding information to the RECON data set 393  
 defining groups 321  
 log data set  
 deleting information 182  
 log data set, adding information to the RECON data set 384, 404  
 recovery control  
 data set  
 commands to generate JCL and user-defined output 241  
 listing 363  
 RECOVJCL keyword  
 commands  
 CHANGE.DBDS 93  
 INIT.DBDS 318  
 RECOVJCL parameter  
 skeletal JCL execution member 296  
 RECOVDPD keyword  
 commands  
 INIT.CAGRP 307  
 INIT.DBDS 318  
 RECOVDPD keyword commands  
 CHANGE.DBDS 93  
 INIT.DBDS 318  
 RECTIME keyword commands  
 CHANGE.CA 67

RECTIME keyword commands  
(continued)

CHANGE.IC 98  
CHANGE.UIC 157  
DELETE.ALLOC 174  
DELETE.CA 176  
DELETE.IC 180  
DELETE.RECOV 187  
DELETE.REORG 187  
DELETE.UIC 190

RECVJCL keyword

CHANGE.DBDS command 93

REFRESH CONVERTER command

equivalent IMS Connect type-2 and  
z/OS commands 526

REFRESH RACFUID command

equivalent IMS Connect type-2 and  
z/OS commands 527

REFRESH USEREXIT command

considerations 34  
examples 35  
output 35  
recommendations 35  
syntax 30  
usage 30

reorganization of the RECON data set

deleting information 187

REPAIR.RECON command 419

repairing inconsistencies 419

REPLACE keyword

CHANGE.RECON command 128

RESET.GSG command 417

RESTORE keyword

GENJCL.RECOV 233

restrictions

F irlmproc,SET command 714

REUSE keyword commands

CHANGE.CAGRP 69  
CHANGE.DBDS 92  
INIT.CAGRP 307  
INIT.DBDS 317

RLDS (recovery log data set) 110

commands 111

CHANGE.PRILOG (for  
RLDS) 111

CHANGE.SECLOG (for  
RLDS) 140

NOTIFY.PRILOG (for RLDS) 387

NOTIFY.SECLOG (for RLDS) 407

deleting information from

RECON 182

selecting 257

RUNTIMES keyword commands

CHANGE.PRILOG (for RLDS) 113  
CHANGE.PRILOG (for SLDS) 118  
CHANGE.PRILOG (for TSLDS) 122  
CHANGE.SECLOG (for RLDS) 143  
CHANGE.SECLOG (for SLDS) 147  
CHANGE.SECLOG (for TSLDS) 152  
NOTIFY.CA 372  
NOTIFY.IC 376  
NOTIFY.PRILOG (for OLDS) 380  
NOTIFY.PRILOG (for RLDS) 384  
NOTIFY.PRILOG (for SLDS) 389  
NOTIFY.PRILOG (for TSLDS) 389  
NOTIFY.REORG 398  
NOTIFY.SECLOG (for OLDS) 402

RUNTIMES keyword commands  
(continued)

NOTIFY.SECLOG (for RLDS) 405  
NOTIFY.SECLOG (for SLDS) 410  
NOTIFY.UIC 416

## S

sample listing of RECON

active site 430  
tracking site 449

SCOPE= parameter

START irlmproc command 723

select group, skeletal JCL 246

selection criteria parameter 248

service group

changing information 153  
deleting information 188

service utilities

control statement parameters 247

SETOAUTO command 528

equivalent IMS Connect type-2 and  
z/OS commands 529

SETPWMC command 529

equivalent IMS Connect type-2 and  
z/OS commands 530

SETTRACF command 531

equivalent IMS Connect type-2 and  
z/OS commands 531

SETRRS command 532

equivalent IMS Connect type-2 and  
z/OS commands 532

SETUIDC command

equivalent IMS Connect type-2 and  
z/OS commands 533

SHADOW parameter

INIT.DBDS command 320

SHARELVL keyword

INIT.DB 326

SHARELVL parameter

CHANGE.DB 82

SHUTDOWN CSL

description 39

syntax 39

usage notes 39

SHUTDOWN CSLPLEX

description 39

syntax 39

usage notes 39

SHUTDOWN MEMBER command 661

equivalent IMS Connect type-2 and  
WTOR commands 661

example 661

syntax 661

usage 661

skeletal JCL 294

coding execution members 245, 266

data set 243

default members explained 243

execution members explained 243

generating JCL and user-defined

output 241

IBM-supplied 242, 277

modifying 268

writing your own 268

skeletal JCL for DBRC 241

SLDS (system log data set)

adding information to the RECON  
data set 388, 408

CHANGE.PRILOG (for SLDS) 115

CHANGE.SECLOG (for SLDS) 145

changing information 115, 144

deleting information from

RECON 182

NOTIFY.PRILOG (for SLDS) 389

NOTIFY.SECLOG (for SLDS) 409

selecting 254

SMS concurrent image copy, SMSMIC

keyword 206

SMSMIC (SMS concurrent image

copy) 206

SMSMIC keyword command

GENJCL.IC 206

SMSNOCIC keyword

GENJCL.IC 206

SMSOFFLC keyword

GENJCL.IC 206

SMSONLC keyword

GENJCL.IC 206

specifying log retention intervals,

CHANGE.RECON 131

SSID keyword commands

CHANGE.BKOUT 64

CHANGE.DB 82

CHANGE.PRILOG (for OLDS) 109

CHANGE.PRILOG (for SLDS) 118

CHANGE.PRILOG (for TSLDS) 123

CHANGE.RECON 132

CHANGE.SECLOG (for OLDS) 139

CHANGE.SECLOG (for SLDS) 148

CHANGE.SECLOG (for TSLDS) 153

CHANGE.SUBSYS 154

DELETE.BKOUT 175

DELETE.LOG (for OLDS) 182

DELETE.SUBSYS 189

GENJCL.ARCHIVE 193

GENJCL.CLOSE 201

GENJCL.USER 239

INIT.RECON 338

LIST.BKOUT 343

LIST.LOG (for a category of

records) 362

LIST.LOG (for a PRILOG family) 359

LIST.RECON 364

LIST.SUBSYS 367, 368

NOTIFY.BKOUT 371

NOTIFY.PRILOG (for OLDS) 382

NOTIFY.PRILOG (for RLDS) 387

NOTIFY.PRILOG (for SLDS and

TSLDS) 392

NOTIFY.SECLOG (for OLDS) 403

NOTIFY.SECLOG (for RLDS) 407

NOTIFY.SECLOG (for SLDS) 412

NOTIFY.SUBSYS 413

standard form of time stamps, parameters

of DBRC commands 53

START FDBRPROC command

description 507

syntax diagram 507

START irlmproc command

DEADLOK= parameter 721

description 721

IRLMGRP= parameter 722

START irlmproc command *(continued)*  
 IRLMID= parameter 722  
 IRLNM= parameter 722  
 LOCKTAB= parameter 722  
 MAXCSA= parameter 722  
 MAXUSRS= parameter 722  
 PC= parameter 723  
 SCOPE= parameter 723  
 syntax diagram 721  
 TRACE= parameter 723

STARTDS command 534  
 equivalent IMS Connect type-2 and z/OS commands 535

STARTIA command 535  
 equivalent IMS Connect type-2 and z/OS commands 536

STARTIME keyword commands  
 CHANGE.PRILOG (for RLDS) 111  
 CHANGE.PRILOG (for SLDS) 116  
 CHANGE.PRILOG (for TSLDS) 121  
 CHANGE.SECLOG (for RLDS) 140  
 CHANGE.SECLOG (for SLDS) 145  
 CHANGE.SECLOG (for TSLDS) 150  
 DELETE.LOG (for RLDS and SLDS) 182  
 NOTIFY.ALLOC 370  
 NOTIFY.PRILOG (for OLDS) 381  
 NOTIFY.PRILOG (for RLDS) 385  
 NOTIFY.PRILOG (for SLDS and TSLDS) 390  
 NOTIFY.SECLOG (for OLDS) 402  
 NOTIFY.SECLOG (for RLDS) 406  
 NOTIFY.SECLOG (for SLDS) 410

STARTIP command 536  
 equivalent IMS Connect type-2 and z/OS commands 537

STARTMSC command 526, 538  
 equivalent IMS Connect type-2 and z/OS commands 538

STARTNEW keyword commands 132  
 CHANGE.RECON 132  
 INIT.RECON 339

STARTOD command 539  
 equivalent IMS Connect type-2 and z/OS commands 540

STARTIPT command 540  
 equivalent IMS Connect type-2 and z/OS commands 541

STARTRCV keyword commands  
 CHANGE.SUBSYS 156  
 NOTIFY.SUBSYS 414

STARTRMT command 541  
 equivalent IMS Connect type-2 and z/OS commands 542

STATUS keyword  
 LIST.RECON command 364

STOP 45

STOP cqsjob command  
 description 45

STOP CSL command  
 description 41  
 keywords 41  
 shutdown 41  
 syntax diagram 41

STOP irlmproc command  
 description 725

STOP irlmproc command *(continued)*  
 example 725

STOP reposervername command 749

STOPCLNT command 543  
 equivalent IMS Connect type-2 and z/OS commands 544

STOPDS command 544  
 equivalent IMS Connect type-2 and z/OS commands 545

STOPIA command 545  
 equivalent IMS Connect type-2 and z/OS commands 546

STOPIP command 547  
 equivalent IMS Connect type-2 and z/OS commands 548

STOPLINK command 548  
 equivalent IMS Connect type-2 and z/OS commands 549

STOPMSC command 550  
 equivalent IMS Connect type-2 and z/OS commands 551

STOPOD command 551  
 equivalent IMS Connect type-2 and z/OS commands 552

STOPPORT command 552  
 equivalent IMS Connect type-2 and z/OS commands 553

STOPRMT command 554  
 equivalent IMS Connect type-2 and z/OS commands 555

STOPSCLN command 555  
 equivalent IMS Connect type-2 and z/OS commands 556

STOPTIME 400

STOPTIME keyword commands  
 CHANGE.IC 99  
 NOTIFY.IC 376  
 STOPTIME keyword commands  
 NOTIFY.CA 372

STOR parameter  
 F irlmproc,STATUS command 715

SUBSET keyword commands  
 CHANGE.CA 68  
 NOTIFY.CA 372

subsystem  
 changing information 154  
 listing 366  
 RECON 189  
 adding information 412  
 deleting information 189

symbolic keywords 245  
 control keywords 245  
 %DELETE 249  
 %ENDDEL 249  
 %ENDSEL 246  
 %SELECT 246, 252  
 %SET MEMBER 246, 250  
 %SET TIMEFMT 246, 251  
 description 243, 246, 266

JCL execution member  
 %ALLSEL 265  
 %ALLTIME 265  
 %ALLUSID 265  
 %CADSN 263  
 %CAFSEQ 263  
 %CALGTM 263  
 %CAODSN 250

symbolic keywords *(continued)*  
 JCL execution member *(continued)*  
 %CASEL 263  
 %CATIME 263  
 %CAUNIT 263  
 %CAVCNT 263  
 %CAVOLS 263  
 %DALTIME 265  
 %DBADDN 266  
 %DBADSAV 266  
 %DBDDN 265, 266  
 %DBDSDDEL 266  
 %DBDSN 266  
 %DBDSNRV 266  
 %DBNAME 265, 266  
 %DBTYPE 265, 266  
 %DBUSID 266  
 %DDNAME 247  
 %ICCAT 261  
 %ICDSN 260  
 %ICFSEQ 260  
 %ICSEL 260  
 %ICSTOP 261  
 %ICTIME 261  
 %ICTYPE 260  
 %ICUNIT 261  
 %ICUSID 261  
 %ICVCNT 261  
 %ICVOLS 261  
 %LOGDSN 258  
 %LOGETIM 259  
 %LOGFRID 259  
 %LOGFSEQ 258  
 %LOGLRID 259  
 %LOGMERG 259  
 %LOGONL 259  
 %LOGRMT 259  
 %LOGSEL 259  
 %LOGSTIM 258  
 %LOGUNIT 258  
 %LOGVOLS 258  
 %OLDCTIM 253  
 %OLDFRID 253  
 %OLDLRID 253  
 %OLDOTIM 253  
 %OLDSDDN 253  
 %OLDSDSN 253  
 %OLDSSEL 253  
 %OLDSTYP 253  
 %PLGTIME 265  
 %SLDETIM 255  
 %SLDFRID 255  
 %SLDFSEQ 255  
 %SLDLRID 255  
 %SLDRMT 255  
 %SLDSDDN 255  
 %SLDSSSEL 255  
 %SLDSTIM 255  
 %SLDUNIT 255  
 %SLDVOLS 255  
 %SSID 245  
 %TIME 245  
 symbolic keywords 245, 265  
 recognized by DBRC 268  
 user-defined 246

- symbolic keywords, JCL execution member
  - substitution 241
  - symbolic keywords
    - %SLDCHKT 256
- syntax diagram
  - how to read viii
- syntax, DBRC command 50

## T

- TAPEUNIT keyword commands
  - CHANGE.RECON 133
  - INIT.RECON 339
- time qualifier 248
- time stamp 52
  - conversions and examples 57
  - DBRC commands affected by
    - format 58
  - specifying zero values 56
  - standard default settings for values 58
  - standard format 53
  - TIMEFMT parameter 54
  - two-digit year input 57
- TIMEFMT keyword
  - GENJCL.ARCHIVE 193
  - GENJCL.CA 197
  - GENJCL.CLOSE 201
  - GENJCL.IC 213
  - GENJCL.OIC 223
  - GENJCL.RECEIVE 228
  - GENJCL.RECOV 233
  - GENJCL.USER 239
- TIMEFMT keyword sublist
  - CHANGE.RECON 135
- TIMEFMT parameter sublist
  - default settings 56
  - order of precedence of the subparameters 56
- TIMEZIN keyword
  - CHANGE.RECON command 134
- TIMEZONE keyword
  - CHANGE.RECON command 133
- TMS commands 689
- TOTIME keyword commands
  - DELETE.LOG (for RLDS and SLDS) 182
  - GENJCL.ARCHIVE 192
  - LIST.HISTORY 356
  - LIST.LOG 361
- TRACE CT command
  - description 727
  - examples 729
  - IRLM external writer sample procedure 728
  - IRLM load module 727
  - keywords 727
  - parameters 727
  - syntax diagram 727
  - z/OS link list 727
- TRACE parameter
  - F irlmproc,STATUS command 715
- TRACE= parameter
  - START irlmproc command 723
- TRACE=nnn parameter
  - F irlmproc,SET command 714

- TRACEOFF keyword
  - CHANGE.RECON command 133
- TRACEON keyword
  - CHANGE.RECON command 133
- TRACETABLE 9
  - command verbs 9
- TRACK keyword
  - NOTIFY.RECOV command 394
- TRACKING parameter
  - CHANGE.DB command 83
  - CHANGE.SUBSYS command 156
- trademarks 753, 755
- Transport Manager Subsystem (TMS) commands 689
- Transport Manager Subsystem command
  - DEFINE 691
    - description 691
    - entry format 691
    - STARTED keyword 691
    - STOPPED keyword 691
    - SYSTEM keyword 691
  - description 693
  - DIRECTORY keyword 693
  - DISPLAY 693
  - DISPLAY command 693, 694, 697
  - ENTITY keyword 694
  - entry format 693
  - examples 697
  - ILS keyword 694
  - SET
    - APPLCOUNT keyword 701
    - APPLID keyword 701
    - description 701
    - entry format 701
    - INSTANCE keyword 701
    - PASSWORD keyword 701
    - TIMER keyword 702
- START 703
  - description 703
  - entry format 703
  - ILS keyword 703
  - MAXCONV keyword 704
  - SYSTEM keyword 703
  - TMS keyword 703
- STATUS keyword 694
- STOP 705
  - description 705
  - entry format 705
  - ILS keyword 705
  - RETRY keyword 705
  - SYSTEM keyword 705
  - TMS keyword 705
- TSLDS (tracking subsystem log data set)
  - adding information to the RECON data set 388
  - CHANGE.PRILOG (for TSLDS) 120
  - CHANGE.SECLOG (for TSLDS) 149
  - changing information 119
  - NOTIFY.PRILOG (for TSLDS) 389
- TYPEFP keyword commands
  - CHANGE.DB 82
  - INIT.DB 312
  - LIST.DB 346
- TYPEIMS keyword commands
  - CHANGE.DB 82
  - INIT.DB 312
  - LIST.DB 346

## U

- UDATA keyword commands
  - CHANGE.UIC 157
  - NOTIFY.CA 372
  - NOTIFY.UIC 416
- UNAUTH keyword
  - CHANGE.DB command 83
  - UNAUTH keyword
    - restrictions 74
    - using 74
- UNAVAIL keyword commands
  - CHANGE.ADS 63
  - CHANGE.PRILOG (for OLDS) 109
  - CHANGE.SECLOG (for OLDS) 139
  - INIT.ADS 304
- UNIT keyword commands
  - CHANGE.CA 68
  - CHANGE.IC 99
  - CHANGE.PRILOG (for RLDS) 114
  - CHANGE.PRILOG (for SLDS) 118
  - CHANGE.PRILOG (for TSLDS) 123
  - CHANGE.SECLOG (for RLDS) 143
  - CHANGE.SECLOG (for SLDS) 148
  - CHANGE.SECLOG (for TSLDS) 153
  - GENJCL.CA 197
  - GENJCL.IC 213, 214
  - GENJCL.OIC 223
  - INIT.CA 305
  - INIT.IC 324
  - NOTIFY.CA 372
  - NOTIFY.IC 376
  - NOTIFY.PRILOG 392
  - NOTIFY.PRILOG (for RLDS) 387
  - NOTIFY.REORG 400
  - NOTIFY.SECLOG (for RLDS) 407
  - NOTIFY.SECLOG (for SLDS) 412
- UNIT2 keyword commands
  - CHANGE.IC 99
  - GENJCL.OIC 224
  - INIT.IC 324
  - NOTIFY.IC 376
  - NOTIFY.REORG 400
- UOR (unit of recovery) keyword commands
  - CHANGE.BKOUT 64
  - NOTIFY.BKOUT 371
- UORTIME keyword
  - CHANGE.BKOUT command 65
- UPDATE ALIAS
  - example 662
  - syntax 662
  - usage 662
- UPDATE ALIAS command 662
  - equivalent IMS Connect type-2 and WTOR commands 663
- UPDATE CONVERTER
  - equivalent IMS Connect type-2 and WTOR commands 664
  - example 663
  - syntax 663
  - usage 663
- UPDATE CONVERTER command 663
- UPDATE DASTORE
  - equivalent IMS Connect type-2 and WTOR commands 665
  - example 665
  - syntax 665

UPDATE DATASTORE *(continued)*  
 usage 665

UPDATE DATASTORE command 665

UPDATE IMSPLEX  
 equivalent IMS Connect type-2 and  
 WTOR commands 667  
 example 666  
 syntax 666  
 usage 666

UPDATE IMSPLEX command 666

UPDATE MEMBER command 668  
 equivalent IMS Connect type-2 and  
 WTOR commands 670  
 example 668  
 syntax 668  
 usage 668

UPDATE MSC command 671  
 equivalent IMS Connect type-2 and  
 WTOR commands 673

UPDATE ODBM  
 example 673  
 syntax 673  
 usage 673

UPDATE ODBM command 673  
 equivalent IMS Connect type-2 and  
 WTOR commands 674

UPDATE PORT command 675  
 equivalent IMS Connect type-2 and  
 WTOR commands 675  
 example 675  
 syntax 675  
 usage 675

UPDATE RACFUID  
 example 676  
 syntax 676  
 usage 676

UPDATE RACFUID command 676  
 equivalent IMS Connect type-2 and  
 WTOR commands 677

UPDATE RMTIMSCON command 677  
 equivalent IMS Connect type-2 and  
 WTOR commands 679

UPDATE TRACETABLE  
 output 20  
 syntax 15

UPDATE TRACETABLE command 15  
 BPE-defined trace table types 15  
 CQS-defined trace table types 17  
 DBRC-defined trace table types 18  
 IMS Connect-defined trace table  
 types 9, 17  
 OM-defined trace table types 18  
 RM-defined trace table types 18  
 SCI-defined trace table types 18

USEAREA keyword, GENJCL.RECOV  
 command 234

USEDDBDS keyword, GENJCL.RECOV  
 command 234

USEIC keyword, GENJCL.RECOV  
 command 234

USEOLRRG keyword, GENJCL.RECOV  
 command 234

user-supplied exit routines  
 refresh 33

USEREXIT commands 23

USERKEYS keyword  
 GENJCL.ARCHIVE command 194

USERKEYS keyword *(continued)*  
 GENJCL.CA 197  
 GENJCL.CLOSE 202  
 GENJCL.IC 214  
 GENJCL.OIC 224  
 GENJCL.RECEIVE 228  
 GENJCL.RECOV 235  
 GENJCL.USER 240

USERRCOV keyword  
 CHANGE.DB 78

USR records, GTF (Generalized Trace  
 Facility) 133

## V

VALID keyword commands  
 CHANGE.CA 67  
 CHANGE.IC 98

VALID2 keyword  
 CHANGE.IC command 99

VIEWDS command 557  
 examples 561  
 keywords 557  
 output fields 558  
 syntax 557  
 usage notes 558

VIEWHWS command 562  
 examples 578  
 keywords 562  
 output fields 563  
 syntax 562  
 usage notes 562

VIEWIA command 586

VIEWIP command 589

VIEWMSC command 591  
 equivalent IMS Connect type-2 and  
 z/OS commands 591  
 output fields 592

VIEWPORT command 595  
 equivalent IMS Connect type-2 and  
 z/OS commands 596  
 examples 598  
 keywords 595  
 output fields 596  
 syntax 595  
 usage notes 596

VIEWRMT command 600  
 equivalent IMS Connect type-2 and  
 z/OS commands 601  
 output fields 601

VIEWUOR command 604  
 equivalent IMS Connect type-2 and  
 z/OS commands 605

VOLLIST keyword commands  
 CHANGE.CA 68  
 CHANGE.IC 99  
 CHANGE.PRILOG (for RLDS) 114  
 CHANGE.PRILOG (for SLDS) 118  
 CHANGE.PRILOG (for TSLDS) 123  
 CHANGE.SECLOG (for RLDS) 143  
 CHANGE.SECLOG (for SLDS) 148  
 CHANGE.SECLOG (for TSLDS) 153  
 GENJCL.CA 198  
 GENJCL.IC 214  
 GENJCL.OIC 224  
 INIT.CA 305  
 INIT.IC 324

VOLLIST keyword commands *(continued)*  
 NOTIFY.CA 372  
 NOTIFY.IC 376  
 NOTIFY.REORG 400

VOLLIST2 keyword commands  
 CHANGE.IC 99  
 GENJCL.IC 215  
 GENJCL.OIC 224  
 INIT.IC 324  
 NOTIFY.IC 376  
 NOTIFY.REORG 400

VOLNUM keyword  
 GENJCL.CA command 198

VOLSER keyword commands  
 NOTIFY.PRILOG (for RLDS) 387  
 NOTIFY.PRILOG (for SLDS and  
 TSLDS) 392  
 NOTIFY.SECLOG (for RLDS) 407  
 NOTIFY.SECLOG (for SLDS) 412

VSO keyword  
 CHANGE.DBDS 93  
 INIT.DBDS 319

## Z

z/OS  
 command  
 CANCEL 733  
 F fdbproc 503  
 F fdbproc,DUMP command 503  
 F fdbproc,RECOVER  
 command 503  
 F fdbproc,STATUS command 503  
 F fdbproc,STOP command 505  
 F irlmproc,ABEND command 709  
 F irlmproc,DIAG,DELAY  
 command 710  
 F irlmproc,PURGE,imsname  
 command 711  
 F irlmproc,SET command 712  
 F irlmproc,STATUS command 715  
 F jobname,DUMP command 683  
 F jobname,FORCExxxx  
 command 684  
 F jobname,RECONNECT  
 command 685  
 F jobname,RECONNSTR  
 command 686  
 F jobname,STOP command 687  
 F jobname,STOPxxxx  
 command 687  
 F reposertername 739  
 F reposertername,ADMIN  
 command 739  
 F reposertername,AUDIT  
 command 743  
 F reposertername,SECURITY  
 command 744  
 F reposertername,SHUTDOWN  
 command 745  
 FORCE 735  
 P cqsjob 45  
 P CSL command 41  
 P irlmproc command 725  
 P reposertername command 749  
 S irlmproc command 721



z/OS (*continued*)  
  command (*continued*)  
    TRACE CT 727  
z/OS command  
  IMS Connect 509  
  START FDBRPROC 507  
z/OS commands  
  DELETE CLIENT 608  
  DELETE LINK 609  
  DELETE SENDCLNT 611  
  invocation 607  
  QUERY ALIAS 613  
  QUERY DATASTORE 614  
  QUERY IMSPLEX 619  
  QUERY MEMBER 621  
  QUERY MSC 645  
  QUERY PORT 650  
  QUERY RMTIMSCON 655  
  QUERY UOR 659  
  SHUTDOWN MEMBER 661  
  syntax 607  
  UPDATE ALIAS 662  
  UPDATE CONVERTER 663  
  UPDATE DATASTORE 665  
  UPDATE IMSPLEX 666  
  UPDATE MEMBER 668  
  UPDATE MSC 671  
  UPDATE ODBM 673  
  UPDATE PORT 675  
  UPDATE RACFUID 676  
  UPDATE RMTIMSCON 677  
  wildcard support 608







Product Number: 5635-A05  
5655-DSE  
5655-TM3

Printed in USA

SC19-4212-02



Spine information:

IMS Version 14

Commands, Volume 3: IMS Component and z/OS Commands

