

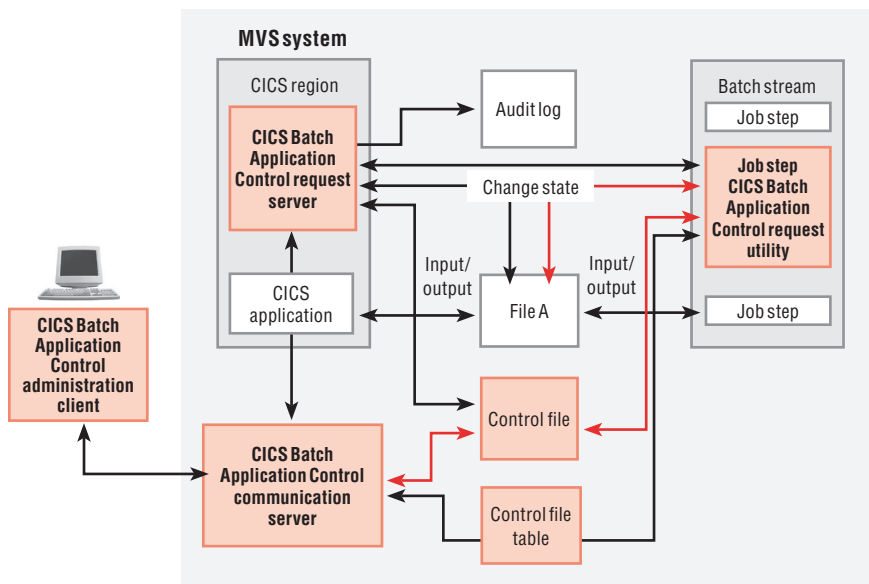
IBM CICS Batch Application Control for z/OS, Version 1.1.1

Highlights

- **Dynamically accommodates variable and unpredictable business demands**
- **Helps reduce errors and abends related to batch processing**
- **Simplifies and automates the transitions between batch and CICS application access to the same resources**
- **Minimizes manual interventions by operators and system programmers**
- **Enables batch jobs to change the state of CICS resources**
- **Moves your CICS applications closer to 24x7 availability**
- **Tracks resource state-change requests across CICS systems and batch streams and helps ensure each resource is in its correct state when CICS regions start**
- **Helps you lower the total cost of ownership of your System z platform**

To stay competitive in today's rapidly changing market environment, businesses are increasingly adopting strategies that can enable them to respond to marketplace changes in real time. To support these strategies, you need a flexible and responsive IT infrastructure that doesn't require you to deallocate and reallocate CICS resources manually, and that doesn't force you to shut down critical CICS systems—leaving your CICS applications unavailable for prolonged periods.

With a robust batch-application control solution, you can conduct more frequent batch runs during normal business-day processing and provide more current data to your users. And you can reduce the number of interventions your operators and system programmers must make during off-shift hours to fix batch-related abnormal ends (abends). IBM CICS® Batch Application Control, Version 1.1.1 makes it easier to manage CICS solutions that include both online and batch components.



State-change requests normally flow through CICS, but if the CICS region is not available, CICS Batch Application Control makes state changes itself and helps ensure the region starts with resources in their correct state.

Automate batch-application control processes

Many businesses must schedule batch processing around their online CICS services. In this environment, CICS system administrators must handle increasingly complex tasks, especially when dealing with many CICS systems running on the IBM System z™ platform in a complex network.

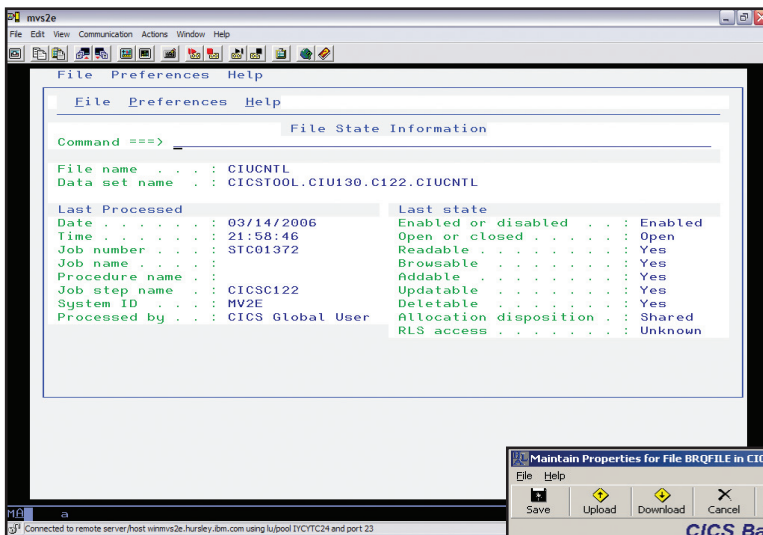
CICS Batch Application Control enables batch programs to dynamically change the state of CICS system-owned Virtual Storage Access Method (VSAM) files, transient data queues, programs and transactions.

For example, a batch job can deallocate resources from an online CICS application at the beginning of a batch stream and reallocate them when batch processing is complete. CICS Batch Application Control tracks all requests for state changes (made within and from outside CICS regions) and helps ensure that, at region startup, each resource is in its correct state. Automating this process frees your operators and system programmers to focus on more vital tasks.

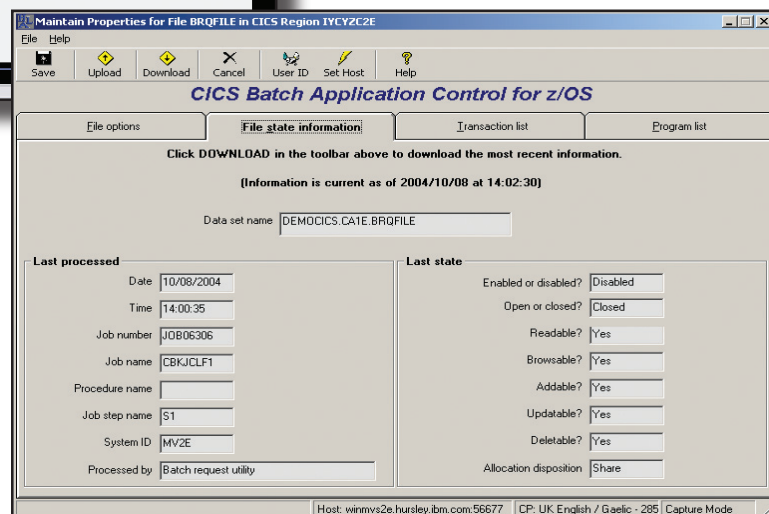
Because the application-development team can define all the resources relevant to each application in groups

and application lists, your operations team can more easily manage applications without having to worry about which resources are a part of each application. CICS Batch Application Control can also reduce the time required for the nightly batch window—or completely remove the need to bring down CICS regions for batch processing—moving your CICS applications closer to 24x7 operation.

CICS Batch Application Control gives you a cost-effective alternative to products from other vendors while minimizing your risk. An ideal solution for IBM CICS Transaction Server for z/OS, CICS Batch Application Control provides robust resource-state management. This function can help reduce the downtime of online CICS applications, lower the total cost of ownership (TCO) of your System z platforms and make the most of your infrastructure.



View the details of the current state of resources using the CICS Batch Application Control Windows-based administration client or ISPF administration interface.



Enhanced batch-job capabilities

CICS Batch Application Control provides three ways to manage the administrative tasks to fit with your preferred administration method: a Microsoft® Windows® technology-based administration client, an Interactive System Productivity Facility (ISPF) administration interface and the file-maintenance utility. Then, in your day-to-day operations, you can employ familiar batch processes and terminal-based tools. After initially defining your objects, you can create batch-job steps that:

- *Issue state-change requests for files, transient data queues, programs and transactions, such as setting a variety of VSAM access options, enabling or disabling any of these resource types, or opening or closing VSAM data sets and transient data queues.*
- *Request changes to individual resources, groups of resources or application lists (groups of groups). Through the group capability, one batch-job step can change the state of all resources used by a particular application.*
- *Request state changes for resources not specifically defined to CICS Batch Application Control.*

- *Invoke CICS programs or administrative functions, using EXEC CICS START, EXEC CICS LINK or CEMT commands.*
- *Write audit records of state change requests or errors.*

If some CICS regions are not available when the batch-job step makes a request, CICS Batch Application Control can satisfy the request itself and help ensure that the CICS regions start with each resource in its correct state.

CICS Batch Application Control can run within a single IBM z/OS® system image, multiple system images or an IBM CICSplex® system.

Improve the efficiency of your CICS systems with CICS tools

CICS Batch Application Control is one of the tools in the comprehensive portfolio of IBM CICS tools. These tools are designed to improve CICS platform efficiency, maximize system availability, and make the most of CICS skills—and help you plan for Web services implementation. CICS tools from IBM can also help you:

- *Support application transformation and CICS technology-based service oriented architecture (SOA) implementations.*
- *Enable easier CICS version-to-version upgrades, including upgrades from IBM CICS Transaction Server for z/OS, Version 1.3, and especially to CICS Transaction Server for z/OS, Version 3.1.*
- *Reduce complexity and cost of CICS system and application management.*
- *Improve CICS application and data availability.*
- *Comply with regulations like the U.S. Sarbanes-Oxley (SOX) Act.*

For more information

To learn more about IBM CICS Batch Application Control, contact your IBM representative or IBM Business Partner, or visit:

ibm.com/software/http/cics/bac/

To learn about the CICS and System z tools portfolios, visit:

ibm.com/software/cics/tools/ibm.com/software/websphere/zadportal/

IBM CICS Batch Application Control, Version 1.1.1 at a glance

Hardware requirements

- Any System z machine on which the applicable IBM CICS Transaction Server can run

Software requirements

- z/OS, Version 1.4 or later
 - CICS Transaction Server for z/OS, Version 2 or later
 - Windows 2000 or Windows XP (for administration client)
-



© Copyright IBM Corporation 2006

IBM United Kingdom Limited
Hursley Park
Winchester
SO21 2JN
United Kingdom

Produced in the United States of America
09-06

All Rights Reserved

CICS, CICSplex, IBM, the IBM logo, S/390, System z, z/OS and zSeries are trademarks of International Business Machines Corporation in the United States, other countries or both.

Microsoft and Windows are trademarks of Microsoft Corporation in the United States, other countries or both.

Other company, product and service names may be trademarks or service marks of others.