



WebSphere Software

TXSeries for Multiplatforms, Version 6.1

The next generation of distributed CICS

SOA Integration

Iain Boyle

TXSeries Technical Planner, IBM UK
iain_boyle@uk.ibm.com

TXSeries V6

The Next Generation of Distributed CICS

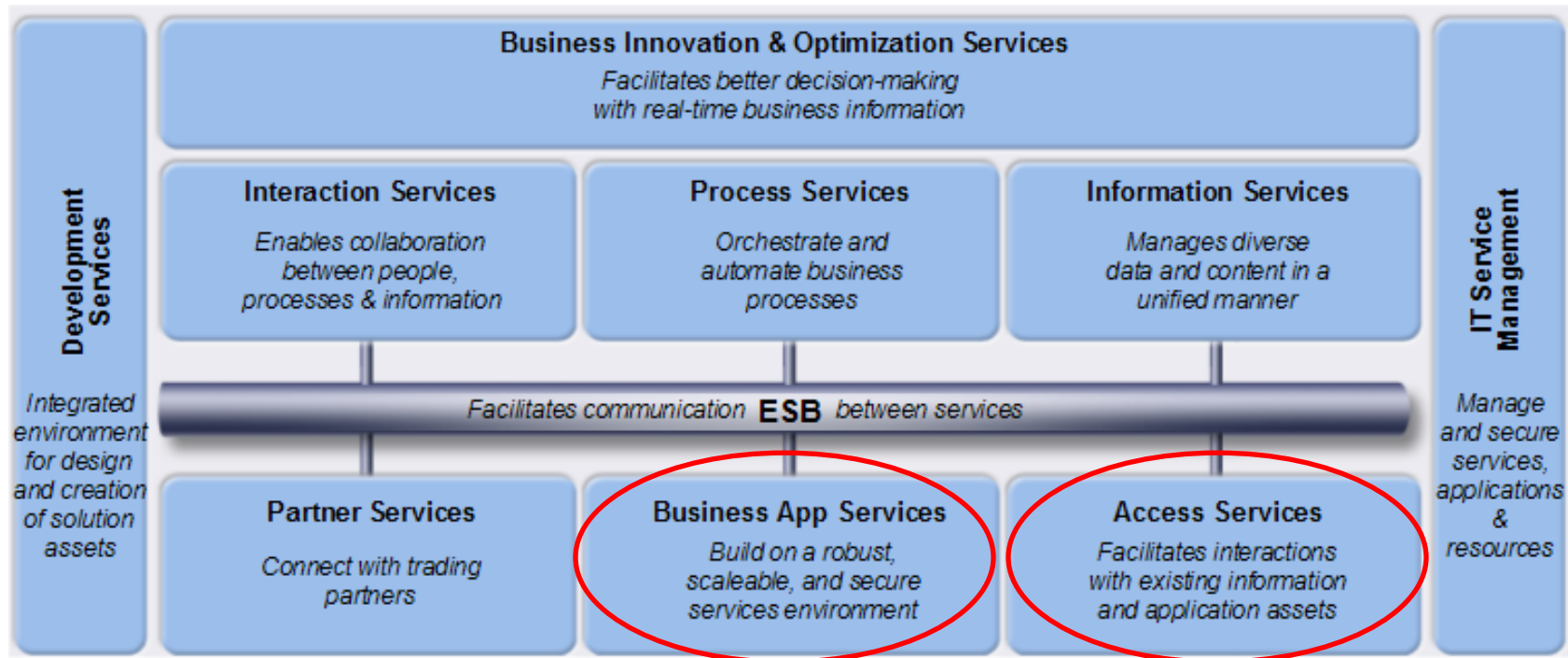
www.ibm.com/CICS

© 2006 IBM Corporation

Notice and Trademarks

- Notice
 - All statements regarding IBM's plans, directions, and intent are subject to change or withdrawal without notice.
- Trademarks
 - The following terms are trademarks or registered trademarks of International Business Machines Corporation in the United States of America, other countries, or both: IBM, AIX, CICS, DB2, Encina, IMS, iSeries, MQSeries, OS/390, TXSeries, S/390, VSE/ESA, WebSphere, z/OS, zSeries.
 - Java and all Java-based trademarks or logos are trademarks or registered trademarks of Sun Microsystems, Inc. in the United States of America, other countries, or both.
 - UNIX is a registered trademark of The Open Group in the United States and other countries.
 - Microsoft, Windows, Windows NT, and the Windows logo are trademarks of Microsoft Corporation in the United States of America, other countries, or both.
 - Other company, product, and service names may be trademarks or service marks of others.

TXSeries as a component of your SOA



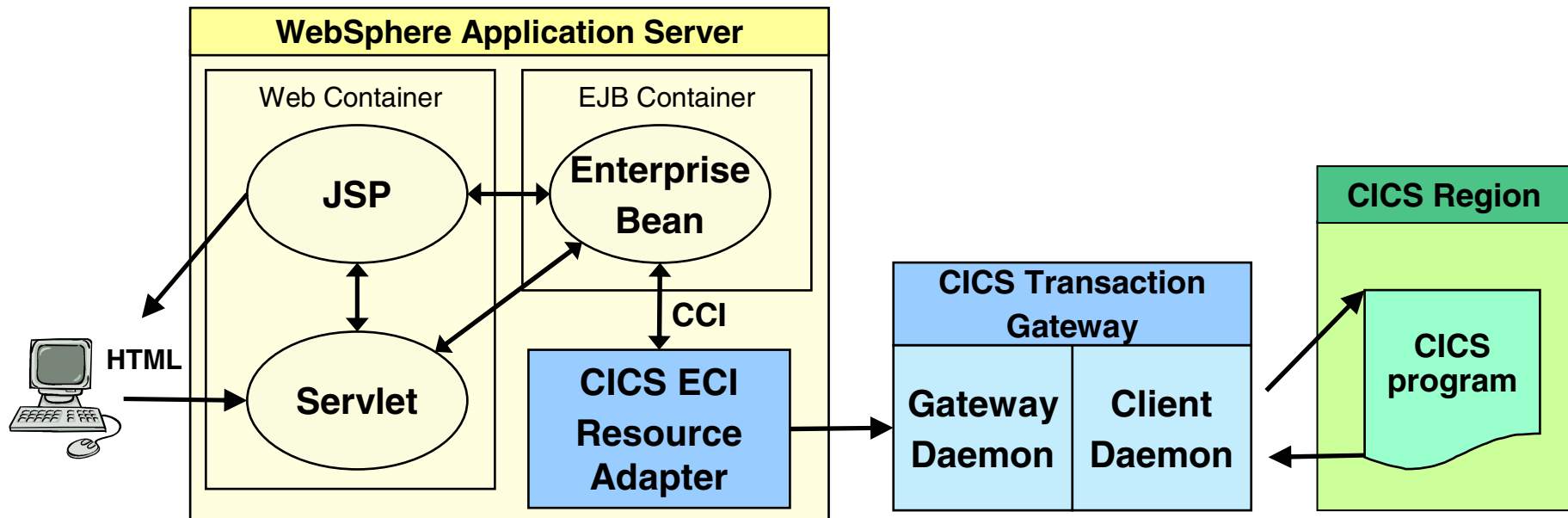
Distributed CICS Transaction Server

- Enabling end to end mixed language transaction services in support of **Business Applications**
- Full integration with CICS Transaction Server for z/OS

Transaction Integration Server

- Providing integration and **Access Services** through
- JCA interfaces to J2EE based application servers
 - XA interfaces to databases and WebSphere MQ

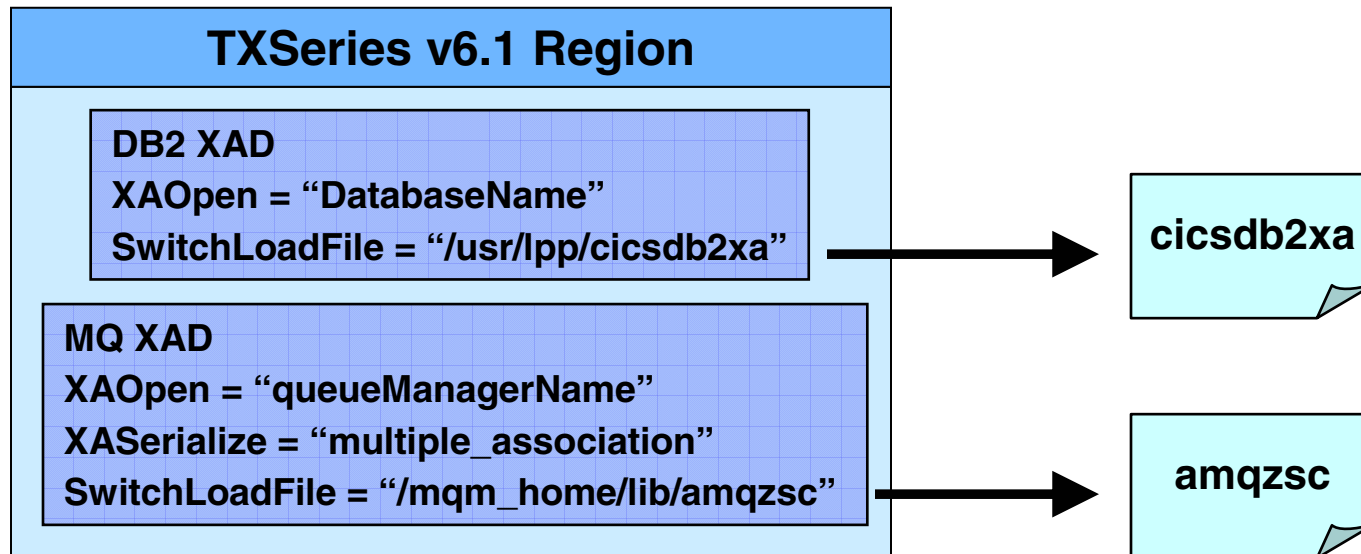
SOA Integration with J2EE Application Servers



- CICS Transaction Gateway (CTG) provides an external interface to TXSeries
- CICS Resource Adapter allows J2EE applications to access CTG

SOA Integration with XA Resource Managers

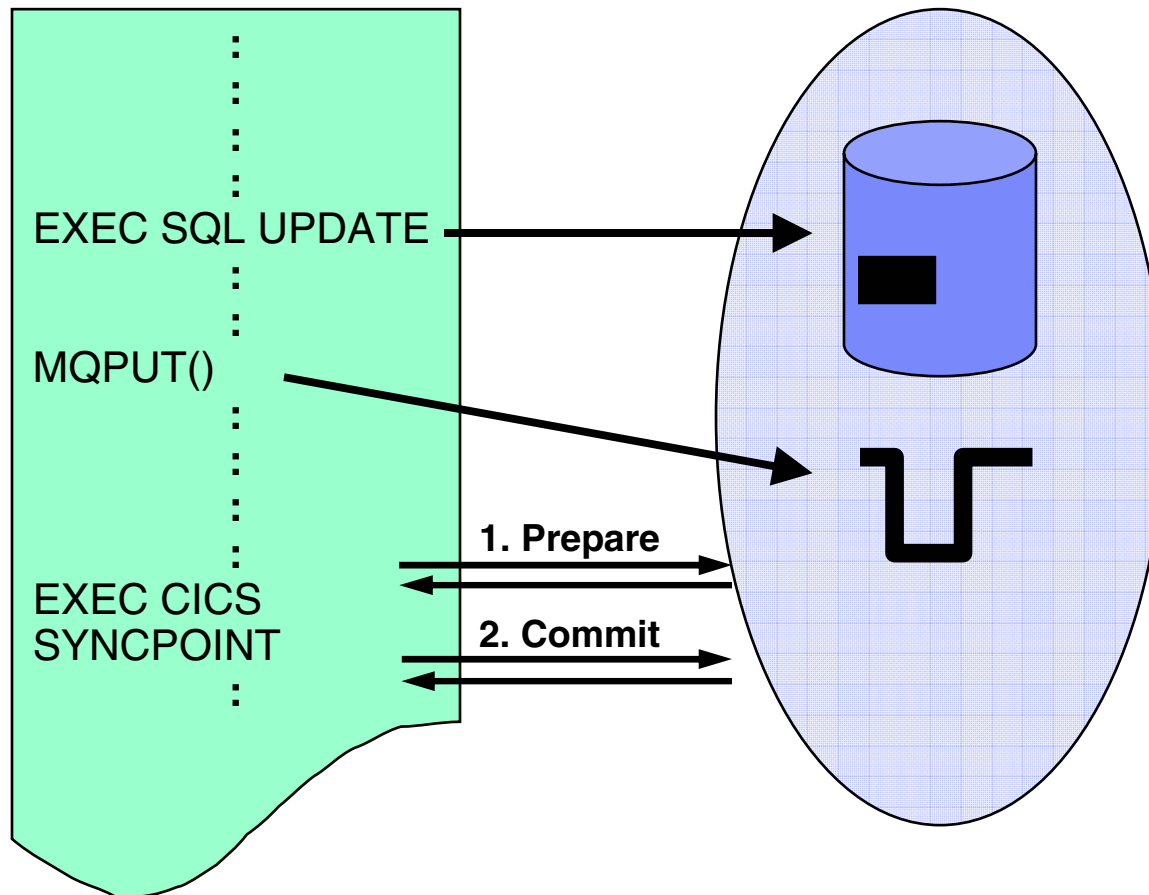
1. Prepare the CICS Region



1. Compile the supplied Switch Load File
 - The library interface between CICS and the resource manager (DB2 or WMQ)
2. Define the Switch Load File to CICS
 - Create an XAD Stanza entry

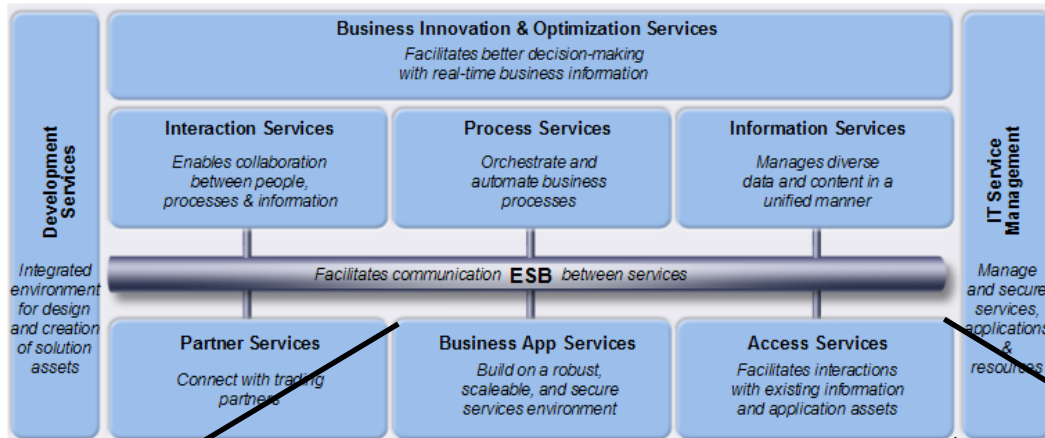
SOA Integration with XA Resource Managers

2. Accessing the Resources

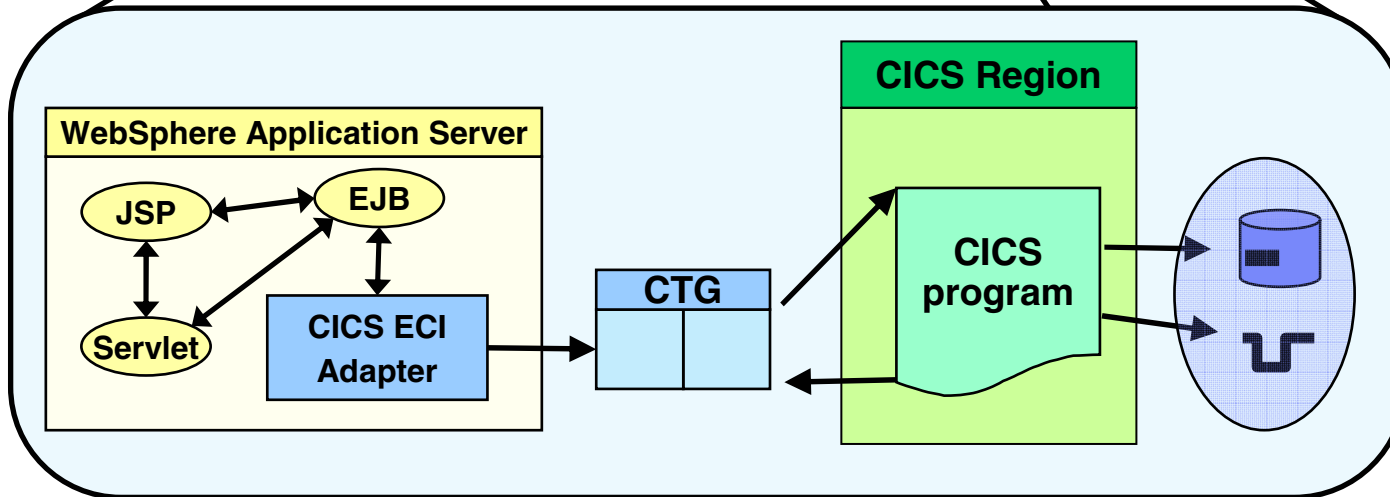


- Update Resource Managers using native commands
- CICS transaction syncpoint will drive 2 Phase Commit processing in all Resource Managers (RM)
 - Prepare each RM in turn
 - Commit each RM in turn

TXSeries as a component of your SOA



- Full SOA integration is now possible using a combination of products
- Combination delivers a proven and robust solution



Questions and More Resources

www.ibm.com/cics/txseries

Any Questions?

- ▶ Ask the IBM product teams
- ▶ Ask other TXSeries users on new forum

developerWorks.

**TXSeries
Technical Forum**

The Web site is the best place for up to date information:

- ▶ Announcement Letters
- ▶ Datasheets/Brochures
- ▶ Redbooks
- ▶ Whitepapers
- ▶ Presentations
- ▶ Technical Library
- ▶ And more....

TXSeries Version 6.1

