

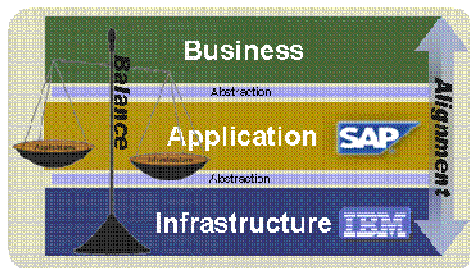


# IBM BPM with SAP

## Technical Intro



Budapest  
02. July 2013

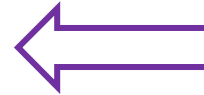


Vladimir Orlik  
BPM Community of practice, CEE

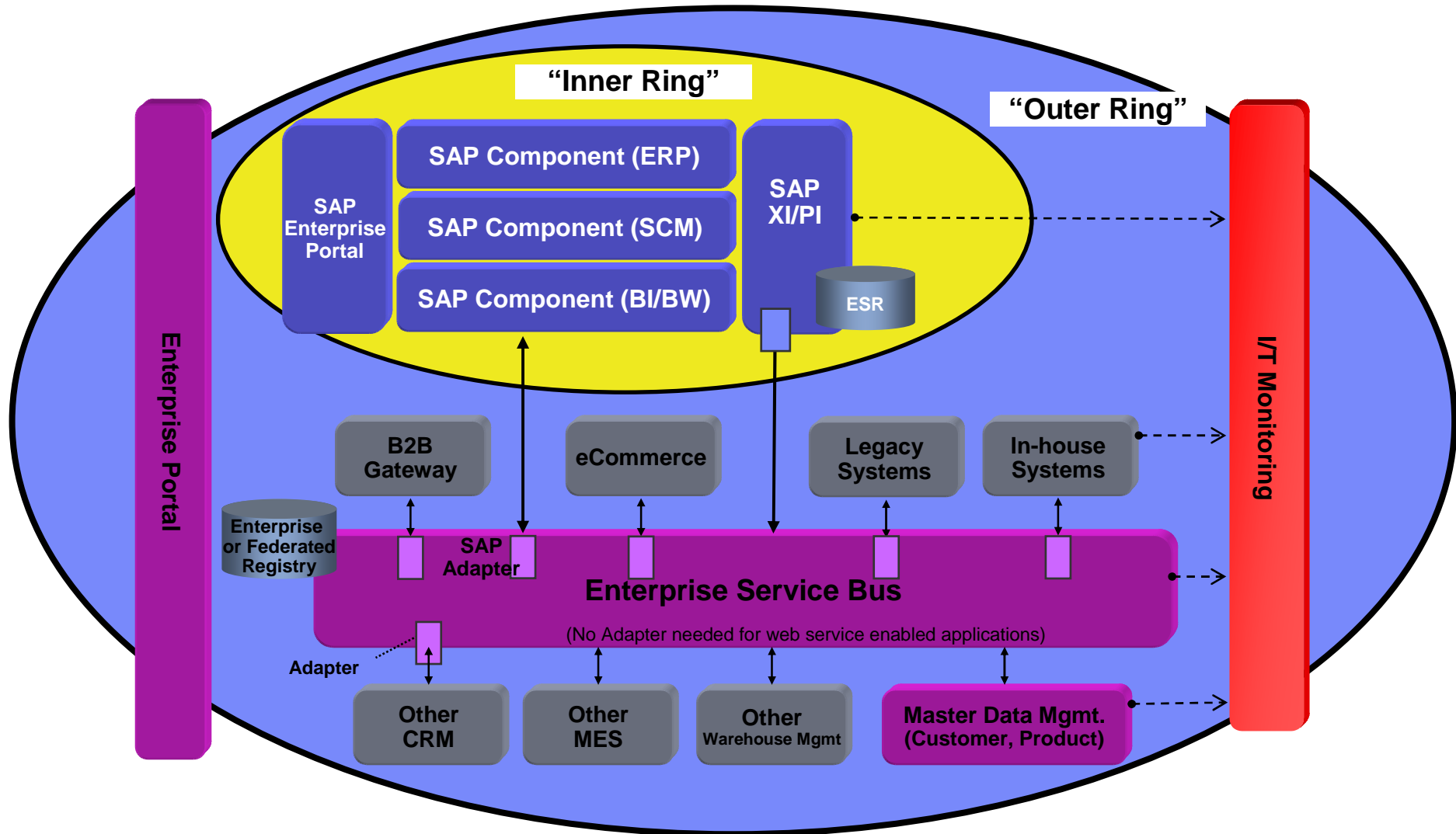


# Agenda

- IBM BPM 8 Advanced overview
- **SAP Integration**
  - Data integration
    - SAP Adapter
    - Outbound & Inbound integration
  - SAP Solution Manager
  - Demo
- Q&A

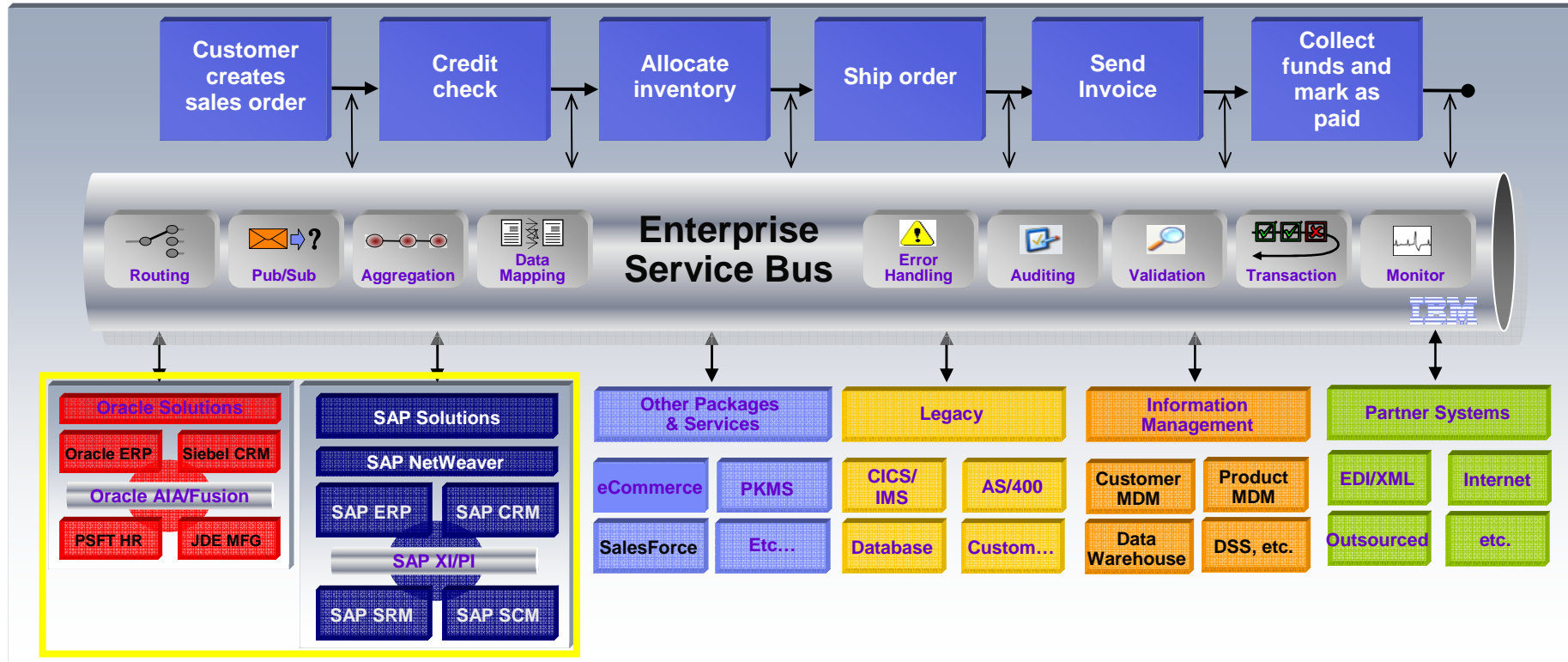


# Inner-Ring / Outer-Ring approach



# Enterprise Service Bus (ESB)

*Integration platform for enterprise solutions and mission-critical environments*

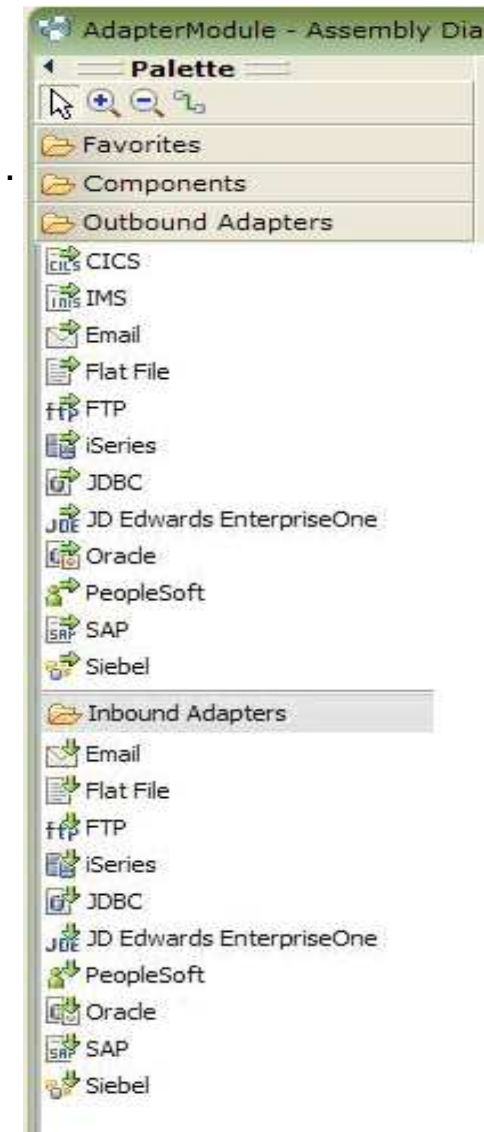
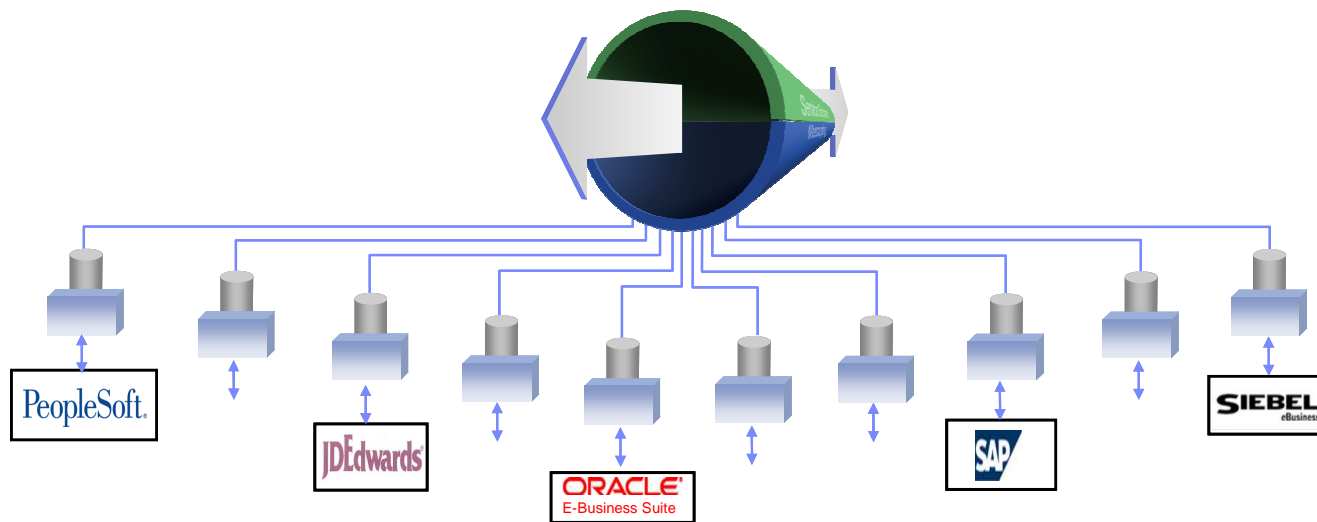


- Leverage XI/PI.....
- For SAP-to-SAP “Intra-module” Integration
- Leverage WebSphere
- For SAP-to-nonSAP & all other integration
- For high-volume, mission critical requirements
- For end-to-end business process

# IBM WebSphere Adapters

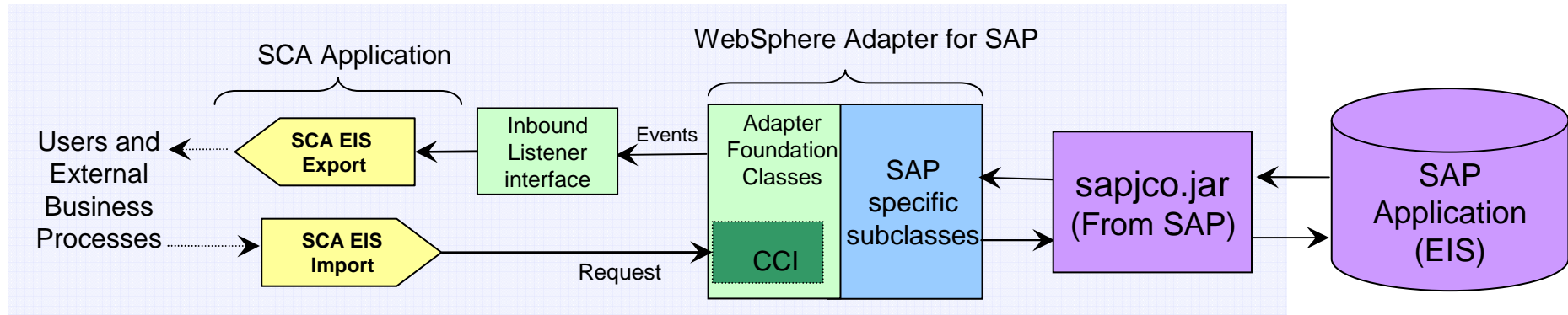
*On WebSphere Process Server / WebSphere ESB*

- Technology adapters: JDBC, FlatFile, FTP, ECM, Email, Domino ...
- Application adapters: SAP, Siebel, PeopleSoft, JDE
  
- **Supports the full set of JCA based WebSphere Adapters**
  
- **JCA Adapters integrated with WebSphere Integration Developer tooling.**



# WebSphere SAP Adapter

- IBM WebSphere Adapter for SAP implements the JCA version specification, enabling bi-directional connectivity to SAP Enterprise application
- SAP resource adapter communicates with the SAP applications using SAP Java Connector (sapjco) API
- The adapter supports many SAP integration interfaces including BAPI (Business Applications Programming Interface), RFC (Remote Function Modules), and ALE (Application Link Enabling)



**Outbound:**  
 Managed Connection Factory  
 ConnectionSpec  
 InteractionSpec

**Inbound:**  
 ActivationSpec

- provided by JCA spec
- provided by foundation classes
- provided by adapter developer
- provided by EIS
- provided by user using **IBM Integration Designer**

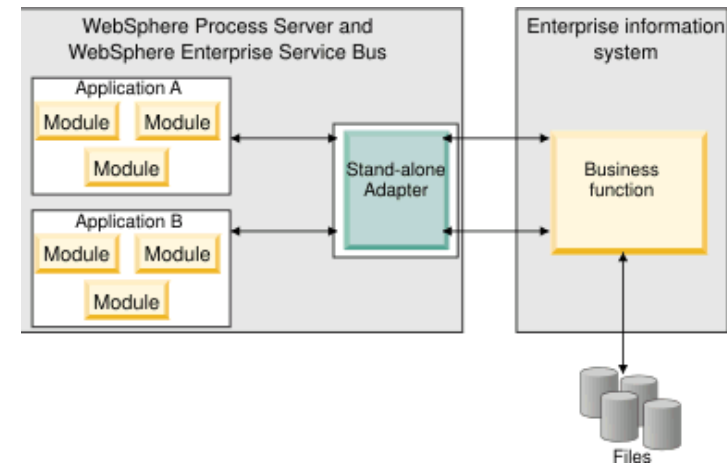
# Key SAP Programming Models - Reference

- IDoc (SAP intermediate document)
  - IDocs represent SAP business objects as flat structures
  - Proprietary format defined by SAP for business data transmission
  - IDocs are used for asynchronous batch data transmission
- Business Application Program Interfaces (BAPI)
  - BAPI's are programming interface to access SAP Database from within SAP or other development platforms external to R/3 that support the Remote Function Call (RFC) protocol
  - The main objective of BAPI is to achieve integration between the SAP System and external applications, legacy systems, and so on.
  - BAPIs are defined in the Business Object Repository (BOR) as methods of SAP Business Objects or SAP Interface Types and enable object-oriented access to Business Components (application components) in the SAP System
- SAPJCo:
  - The SAP Java™ Connector (SAPJCo) is a toolkit that allows a Java application to communicate with any SAP system
  - The package supports both, Java to SAP system and SAP system to Java calls
- ALE (Application Link Enabling)
  - An integration interface in SAP's Business Framework Architecture.
  - Can integrate business processes between SAP Systems and external applications and between SAP Systems.
  - Application systems are loosely coupled in an ALE integrated system and the Data is exchanged asynchronously
  - Uses IDoc for data exchange

# WAS SAP Adapter – Deployment options

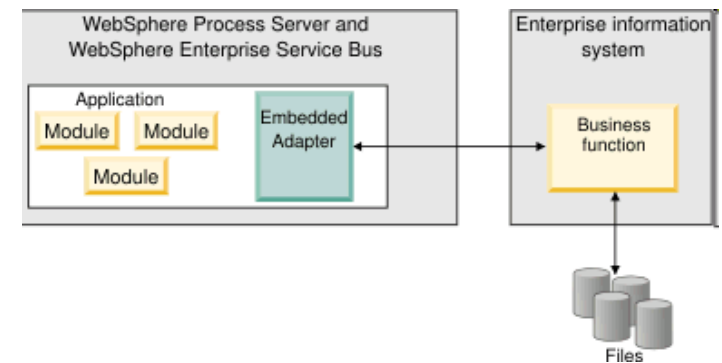
## ▪ Stand-alone

- One copy of adapter deployed in WAS is reused by all applications
- Advantages
  - when moving from test to production
  - enables dynamic routing
  - reduces memory consumption
  - manageability
    - configure connection properties once for multiple modules connecting to SAP, connection pool sizes



## ▪ Embedded

- A copy of adapter deployed with application
- Advantages
  - isolation
  - reduce dependencies between modules

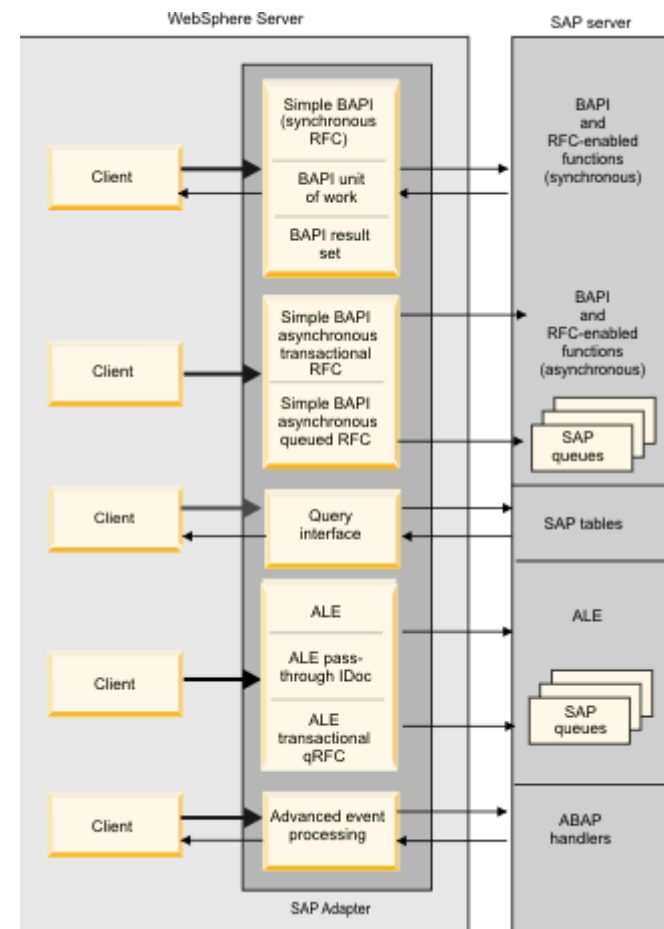




# WAS SAP Adapter – Outbound interfaces

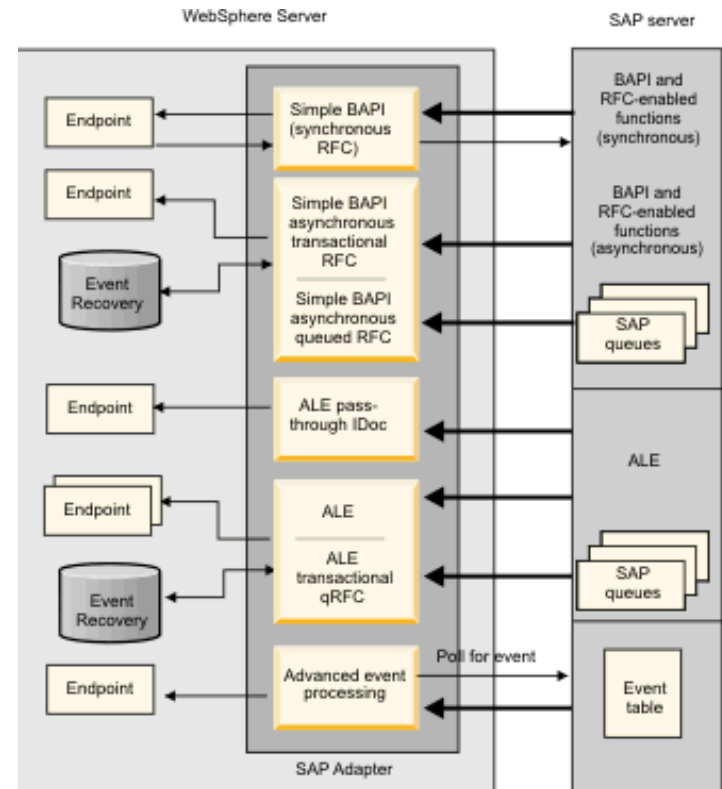


- BAPI (actually RFC)
  - Synchronous RFC
  - Asynchronous RFC (a.k.a. Transactional RFC, tRFC)
  - Queued RFC (qRFC)
- BAPI Unit of Work
- BAPI ResultSet
- Query Interface (a.k.a. SCI)
- Application Link Enablement (ALE)
  - IDOCs
  - IDOC pass-through
  - IDOC unparsed (i.e. Data record unparsed)
  - Via qRFC and tRFC
- Advanced Event Processing (AEP)



# WAS SAP Adapter – Inbound interfaces

- BAPI (actually RFC)
  - Synchronous RFC
  - Asynchronous RFC (a.k.a. Transactional RFC, tRFC)
  - Queued RFC (qRFC)
- Application Link Enablement (ALE)
  - IDOCs
  - IDOC pass-through
  - Via qRFC and tRFC
- Advanced Event Processing (AEP)
  - Event Recovery



# SAP Adapter Wizard - Inbound / Outbound

**New External Service**  
Specify the Discovery Properties

Connection properties

SAP system connection information

Host name: \* 9.30.204.159

System number: 00

Client: 001

Language code: EN (English)

Code page: 1100

The user name and password will not be encrypted and will be stored as plain text.

User name: \* HONGLING

Password: \*

SAP interface name

- BAPI  
*Invokes BAPIs and RFC enabled function modules on the SAP System.*
- BAPI work unit  
*Invokes a series of RFC enabled function modules as a single work unit.*
- BAPI result set  
*Retrieves a set of records from the SAP System.*
- ALE  
**Sends structured IDoc data to SAP.**
- ALE pass-through IDoc  
*Sends raw byte IDoc data to SAP.*
- Query interface for SAP Software (QISS)  
*Performs hierarchical data retrieval from SAP application tables.*
- Advanced event processing (AEP)  
*Invokes a custom ABAP handler written on the SAP system.*

Change the logging properties for the wizard

**New External Service**  
Specify the Discovery Properties

Connection properties

SAP system connection information

Host name: \* 9.30.204.159

System number: 00

Client: 001

Language code: EN (English)

Code page: 1100

The user name and password will not be encrypted and will be stored as plain text.

User name: \* HONGLING

Password: \*

SAP interface name

- ALE  
**Receives data from the SAP system via IDocs to provide structured data.**
- ALE pass-through IDoc  
*Receives data from the SAP system via IDocs to provide a raw byte stream.*
- BAPI  
*SAP system synchronously invokes an RFC function via the Adapter.*
- Advanced event processing (AEP)  
*Periodically Polls for data from custom ABAP handlers written on the SAP system.*

Change the logging properties for the wizard

# Agenda

- IBM BPM 8 Advanced overview
- SAP Integration
  - Data integration
    - SAP Adapter
    - Outbound & Inbound integration
  - SAP Solution Manager
  - **Demo**
- Q&A



# Order Fulfillment Scenario Architecture



# Order Fullfillment Scenario



# Questions

