

IBM WEBSHERE PARTNER GATEWAY V6.1 – LAB EXERCISE

WebSphere® Partner Gateway V6.1

Simple mode installation

What this exercise is about	1
Lab requirements	1
What you should be able to do	2
Introduction	2
Exercise instructions	2
Part 1: WebSphere Partner Gateway installation requirements	3
Part 2: Adding user accounts	4
Part 3: Installing DB2	6
Part 4: Installing WebSphere Application Server Network Deployment V6.1	8
Part 5: WebSphere Partner Gateway installation - Introduction	13
Part 6: Installing WebSphere Partner Gateway databases	19
Part 7: Installing WebSphere Partner Gateway components – Simple mode	25
Part 8: Starting WebSphere Partner Gateway – Simple mode.....	31
Part 9: Stopping WebSphere Partner Gateway – Simple mode.....	35
Part 10: Log files – Simple mode.....	36
Part 11: Uninstalling WebSphere Partner Gateway – Simple mode	37
What you did in this exercise	38

NOTE: Education materials and other documentation as applicable including programming manuals, operating guides, physical planning manuals and installation manuals related to the IBM Products may be early versions subject to change.

What this exercise is about

The objective of this lab is to provide you with a high level overview of how to install and configure the prerequisite and the installation of WebSphere Partner Gateway V6.1 using Simple Mode Topology

Lab requirements

List of system and software required for the student to complete the lab.

- IBM DB2 Enterprise Server V8.2 or higher
- WebSphere Application Server Network Deployment V6.1 install images
- WebSphere Partner Gateway V6.1 CD or install images

What you should be able to do

At the end of this lab you should be able to:

- Install WebSphere Partner Gateway using DB2 database

Introduction

This lab provides the basic installation of the pre-requisites and the WebSphere Partner Gateway V6.1 on the Windows® platform. Response files are provided for the silent install of the pre-requisites.

Exercise instructions

Some instructions in this lab may be Windows operating-system specific. If you plan on running the lab on an operating-system other than Windows, you will need to run the appropriate commands, and use appropriate files (.sh vs. .bat) for your operating system. The directory locations are specified in the lab instructions using symbolic references, for example:

Reference variable	Windows® location	Linux® location
<WAS_INSTALL_IMAGES>	C:\download\WAS61\unzip	/download/WAS61/unzip
<WPG_INSTALL_IMAGES>	C:\download\WPG61\unzip	/download/WPG61/unzip
<DB2_INSTALL_IMAGES>	C:\download\DB2_826\unzip\ESE\image	/download/DB2_826/unzip/ESE/image
<DB2_HOME>	C:\IBM\SQLLIB	/opt/IBM/SQLLIB
<WAS_HOME>	C:\IBM\WAS61	/opt/IBM/WAS61
<WPG_HOME>	C:\IBM\WPG61	/opt/IBM/WPG61
<WPG_HUB_SIMPLE_HOME>	C:\IBM\WPG61\wpghubsimple	/opt/IBM/WPG61/wpghubsimple
<WPG_HUB_DISTR_DMGR_HOME>	C:\IBM\WPG61\wpghubdmgr	/opt/IBM/WPG61/wpghubdmgr
<WPG_HUB_DISTR_HOME>	C:\IBM\WPG61\wpghubappsprofile	/opt/IBM/WPG61/wpghubappsprofile
<WPG_APPSDB_HOME>	C:\IBM\WPG61\wpgappsdb	/opt/IBM/WPG61/wpgappsdb
<WPG_MASDB_HOME>	C:\IBM\WPG61\wpgmasdb	/opt/IBM/WPG61/wpgmasdb
<TEMP>	C:\temp	/tmp

Part 1: WebSphere Partner Gateway installation requirements

Prerequisites

IBM WebSphere Partner Gateway requires the some prerequisite software to be installed and configured before you can install the IBM WebSphere Partner Gateway

- Needs specific users to be created
- IBM DB2® Enterprise Server V8.2 or higher
- Install WebSphere Application Server Network Deployment V6.1

WebSphere Partner Gateway installation steps:

Installation of WebSphere Partner gateway by itself is a two part process

- Install WebSphere Partner Gateway DBLoader
 - Install the WebSphere Partner Gateway Applications Database
 - Install the WebSphere Partner Gateway MAS Database
- Install WebSphere Partner Gateway Components
 - Simple Mode
 - Distributed Mode

Part 2: Adding user accounts

In order to connect with the database, WebSphere Partner Gateway requires a set of operating system users. The instructions below walk you through the process of setting up these users. Although this procedure uses default names, you can substitute your own user and group names. Group and user names cannot exceed eight characters.

To create user accounts:

- ___ 1. Click **Start → Settings → Control Panel**
 - ___ a. Double-click **Administrative Tools**
 - ___ b. Double-click **Computer Management**. This should open a new window.
 - ___ c. Expand the “**Local Users and Groups**”.
 - ___ d. Right click **Users**, and select **New User**. The New User dialog box appears.
 - ___ e. Enter the values below in the New User window:
 - 1) User name: **bcguser**
 - 2) Password: **bcg1user**
 - 3) Confirm password: **bcg1user** (same as Password)
 - 4) Uncheck the check box **User must change password at next logon**
 - 5) Check the check box **Password never expires**
 - 6) Click **Create**
 - ___ f. Repeat the above steps, **d** and **e**, to create the user:
User name: **bcgdb**
Password: **bcg1db**
 - ___ g. Right click **Groups** and select **New Group**. The New Group dialog box appears.
 - ___ h. Create the group **bcggroup**
 - ___ i. Add the users **bcguser** and **bcgdb** to **bcggroup**.
 - ___ j. Double click **Groups**.
 - ___ k. Right click on **Administrators**. Select **Add to Group**.
 - ___ l. Click on **Add** button and enter **bcguser** in the new window that opens up. Click **OK** to add **bcguser** to **Administrators** group
 - ___ m. Repeat the above step to add **bcgdb** user to **Administrators** group
 - ___ n. Exit the Computer Management window.

- ___ o. Now that you have created the WebSphere Partner Gateway Advanced Administrative User, you now need to log in to Windows as that user to perform the product installations.
- ___ p. Click **Start → Shut down → Log off <username>**.
- ___ q. Change the User name to **bcguser** and enter the Password **bcg1user**

Part 3: Installing DB2

Note: WebSphere Partner Gateway does not use the fenced-user option. Do not use the fenced-user ID as part of the WebSphere Partner Gateway Installation.

The instructions walk through the steps required for installing DB2 Enterprise server V8.2.6. So depending on what version of DB2 you are using the instructions may not exactly be the same as below.

- ___ 1. To install the DB2 V8.2 database server, navigate to the directory, <DB2_INSTALL_IMAGES> and double-click the **setup.exe** file
- ___ 2. At the IBM DB2 Setup Launchpad window, click on **Install Product**.
- ___ 3. At the "Select the product you would like to install" screen, ensure that the radio button labeled **DB2 UDB Enterprise Server Edition** is enabled and click **Next**.
- ___ 4. At the Welcome screen of DB2 Setup Wizard, click **Next**.
- ___ 5. At the License Agreement screen, enable the radio button labeled **I accept the terms in the license agreement**, and click **Next**.
- ___ 6. At the **Select the installation type** screen ensure that the **Typical** radio button is enabled and click **Next**.
- ___ 7. If you receive an optional **Warning** screen concerning APPC, click **OK** to proceed with the installation.
- ___ 8. At the Select the installation action screen ensure that the check box labeled **Install DB2 Enterprise Server Edition on this computer** is enabled, and click **Next**.
- ___ 9. If you receive an optional **Select how this computer will be used** screen, ensure that the radio button labeled **Single-partition database environment** is enabled, and click **Next**.
- ___ 10. At the **Select installation folder** screen, change the default installation location setting to point to the **C:\IBM\SQLLIB** subdirectory by deleting the Program Files\ portion of the path and click **Next**.
- ___ 11. At the Set user information for the DB2 Administration Server screen
 - ___ a. Leave the **Domain** field blank to use a local system user account.
 - ___ b. Accept the default **User name** value **db2admin**
 - ___ c. Type **db2admin1** in the Password and Confirm Password fields.
 - ___ d. Make sure **Use the same user name and password for the remaining DB2 services** is enabled.
 - ___ e. Click **Next**.
- ___ 12. At the Set up the administration contact list screen, click **Next**.
- ___ 13. At the **Warning** screen about the notification SMTP server, click **OK**.
- ___ 14. At the **Configure DB2 instances** screen, click **Next**.

- ___ 15. At the Prepare the DB2 tools catalog screen, ensure that the **Do not prepare the DB2 tools catalog on this computer** option button is enabled, and click **Next**.
- ___ 16. At the Specify a contact for health monitor notification screen, enable the **Defer the task until after installation is complete** option button, then click **Next**.
- ___ 17. At the **Start copying files** screen, click **Install**.
- ___ 18. At the **Setup is complete** screen, click **Finish**.
- ___ 19. **Exit** out of the First Steps window.

Configuring DB2HOME variable:

- ___ 1. Right click on the **My Computer** Icon and select **Properties**
- ___ 2. Click on the **Advanced** tab
- ___ 3. Click the **Environment variables** button.
- ___ 4. Click **New** under the **System Variables**
- ___ 5. Enter **DB2HOME** as the variable name
- ___ 6. Enter **C:\IBM\SQLLIB** as Variable value
- ___ 7. Click **OK** from the **New System Variable** dialog
- ___ 8. Click **OK** from the **Environment Variables** window.
- ___ 9. Click **OK** from the **System Properties** window

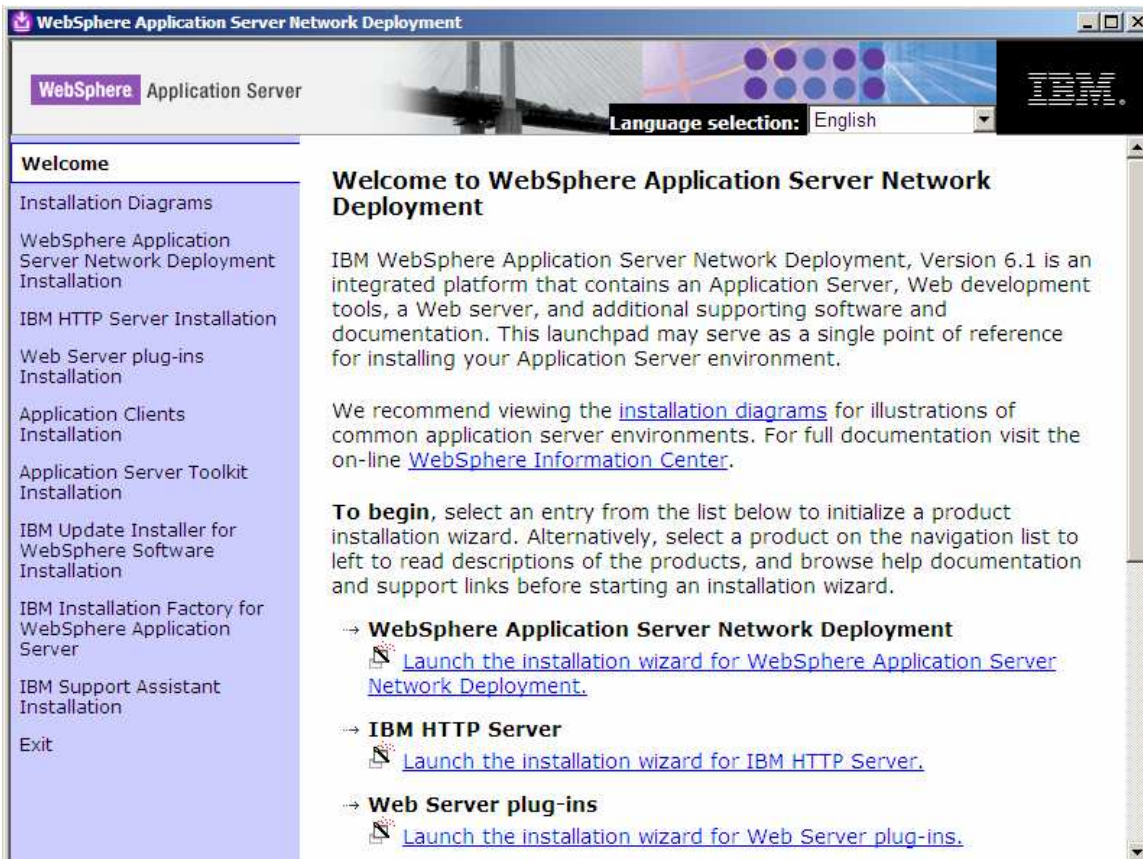
Part 4: Installing WebSphere Application Server Network Deployment V6.1

WebSphere Application Server Install image includes a launch pad program to provide one-stop access to the product overview, ReadMe file, product documentation, WebSphere Application Server product Installer. Alternatively, you can start the installation programs using the supplied setup*. * programs.

The launch pad executable file is located in the directory: <WAS_INSTALL_IMAGES>

Open Command Window and change to <WAS_INSTALL_IMAGES> and enter the command

Windows LaunchPad.exe
Linux LaunchPad.sh

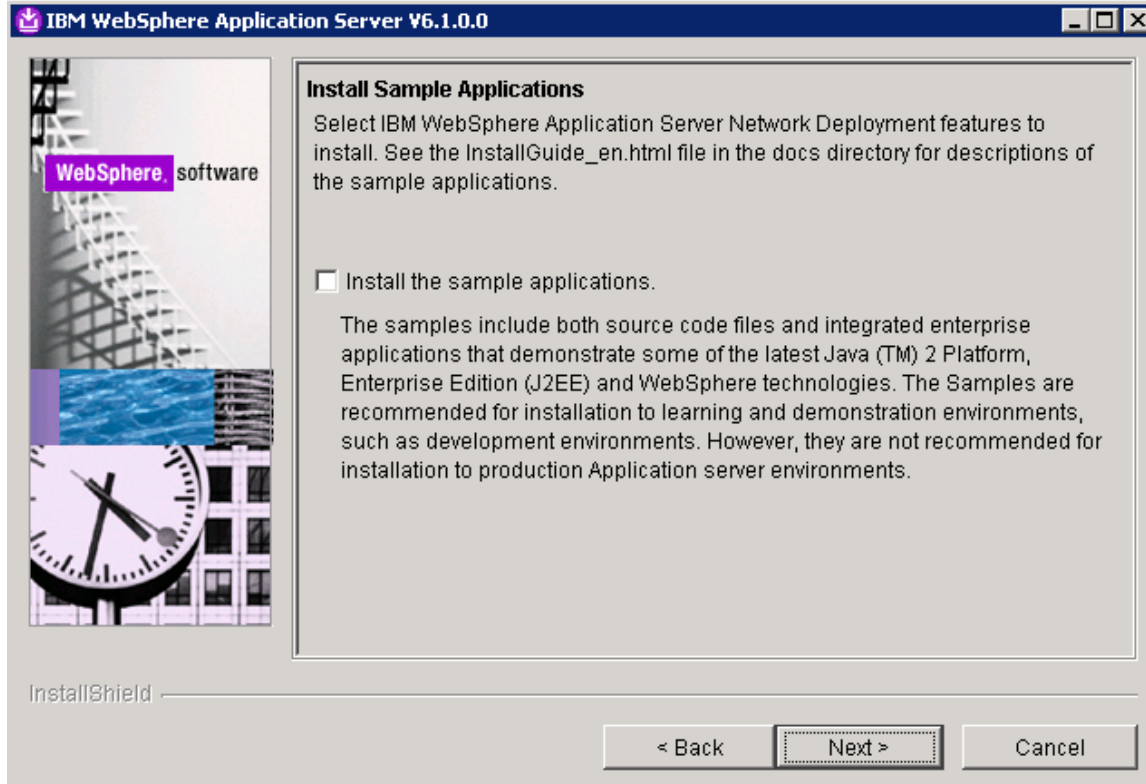


- ___ 1. Click on "Launch the installation wizard for WebSphere Application Server Network Deployment"
- ___ 2. Install shield wizard will initialize and pop up a Welcome Screen. Click **Next** to continue
- ___ 3. Select the radio button next to "I accept both the IBM and the non-IBM terms". Click **Next** to continue
- ___ 4. The installer will check Verify that your system passes the prerequisite check. Click **Next** to continue.
- ___ 5. If there are any existing versions of WebSphere Application Server installed, you will be given an option to install a new copy of the WebSphere Application Server or to create a new profile using

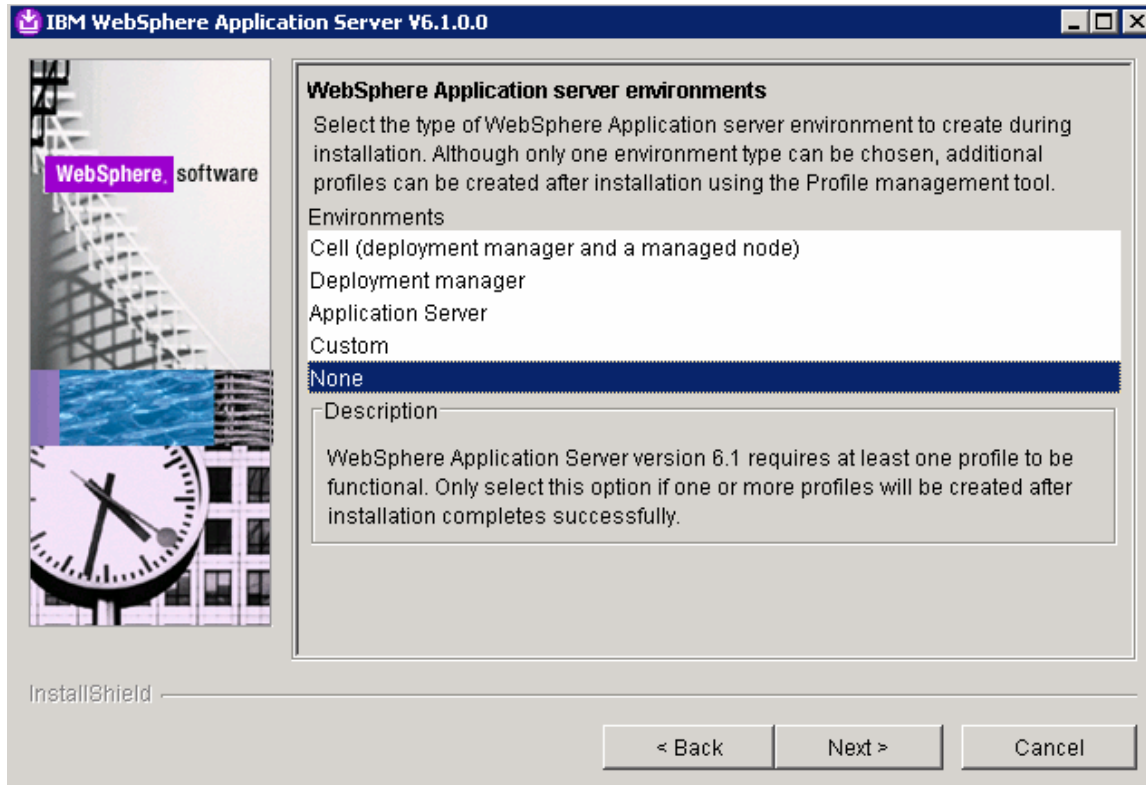
profile management tool. Select the radio button next to “**Install a new copy of WebSphere Application Server**”. Click **Next** to continue



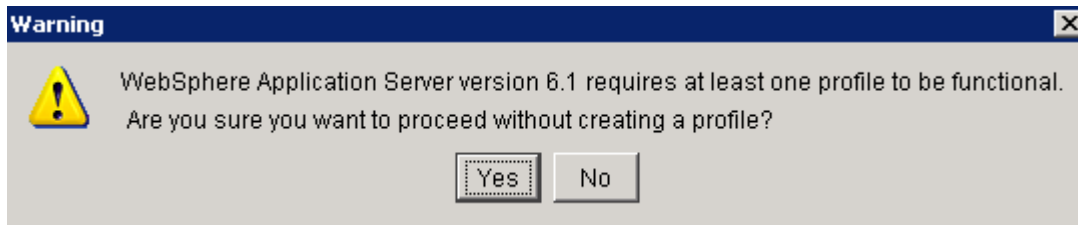
- ____ 6. In the next Install Sample Application screen, leave the check box next to “Install sample applications” option unchecked. Click **Next** to continue



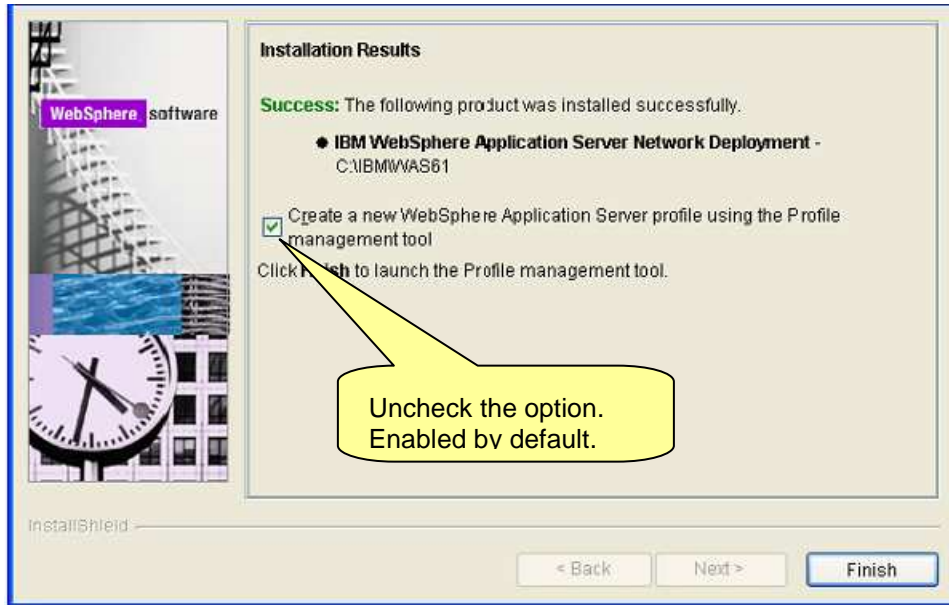
- ___ 7. In the next screen, provide the installation directory as **C:\IBM\WAS61** and click **Next** to continue
- ___ 8. In the next screen for WebSphere Application Server environment, select the option “**None**”. This option will only install the product and will not create any profiles. Necessary profiles for the WebSphere Partner Gateway are created later on using the WebSphere Partner Gateway Installer. Click **Next** to continue



- ___ 9. Click **Yes** for the warning dialog box that prompts you if you want to proceed without creating a profile.



- ___ 10. The next screen provides the summary of features that will be installed and the size of the install. Click **Next** to install.
- ___ 11. Uncheck the Check box to 'Create a new WebSphere Application server profile using the Profile management tool'. Click Finish button when it is activated. You have successfully installed the WebSphere Application Server Network Deployment V6.1



WebSphere Partner Gateway requires that Fix Pack 3 be applied to the WebSphere Application Server V6.1. The lab does not provide instructions on how to install the fix pack, but you can download the Fix Pack 3 from <http://www-1.ibm.com/support/docview.wss?rs=180&uid=swg24013830>

Part 5: WebSphere Partner Gateway installation - Introduction

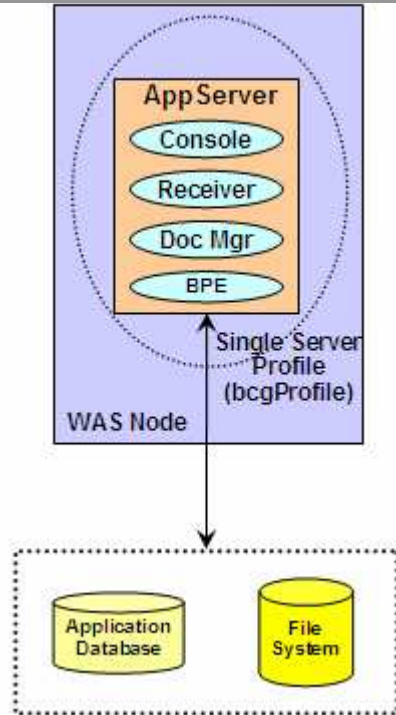
The environment of WebSphere Partner Gateway consists of :

- **WebSphere Partner Gateway databases**
 - Application Database - used as the data repository. It is used to store data that can be classified in two broad categories: profile information and state management information. The database stores partner profile information and event logs.
 - MAS Database – used by the messaging application server.
- **WebSphere Partner Gateway components**
 - The Receiver handles secure and reliable receipt of documents over the supported transport protocols.
 - The Community Console provides Community Console access to the Internal Partner and to External Partners. The Internal Partner can view the entire community. External partners have a more limited view, which allows them to modify their profiles and monitor the flow of their documents.
 - The Document Manager, consisting of one or more routing and processing servers. These servers implement the reliable routing, validation, and translation services within WebSphere Partner Gateway.
 - Messaging Application Server (required only in Distributed Mode of installation)
- **Shared network storage file system like NAS**

There are two modes of installation available for WebSphere Partner Gateway V6.1.

- **Simple mode** →
 - All WebSphere Partner Gateway components (Receiver, Document Manager and Community console) are installed in WebSphere Application Server V6.1 single server.
 - WebSphere Partner Gateway components are now J2EE™ applications rather than set of libraries as in V6.0.
 - No Network Deployment Cell topology and hence no clustering, work load management or high availability available in simple mode.
 - Simple mode has only one server and so only one JVM compared to three JVMs in V6.0.
 - Database server could be on the same machine or different machine
 - Installation steps
 - Create and Load the WebSphere Partner gateway Applications Database
 - Create WebSphere Application server profile that hosts the Receiver, document manager and Community console applications

WebSphere Partner Gateway V6.1- Simple mode



Distributed Mode:

With distributed mode install, the different WebSphere Partner Gateway application components can be installed across different machines in a Network Deployment cell. The Network Deployment cell environment provides the scalability and high availability features that are now exploited by WebSphere Partner Gateway components.

Within the Network Deployment cell, there is WebSphere Partner Gateway Deployment manager that manages all the nodes/machines of the Network Deployment cell. The WebSphere Partner Gateway applications are installed on a server within the Network Deployment Cell. You can specify whether the WebSphere Partner Gateway applications have their own server, or whether 1 or more WebSphere Partner Gateway applications are installed on the same server within the Network Deployment Cell.

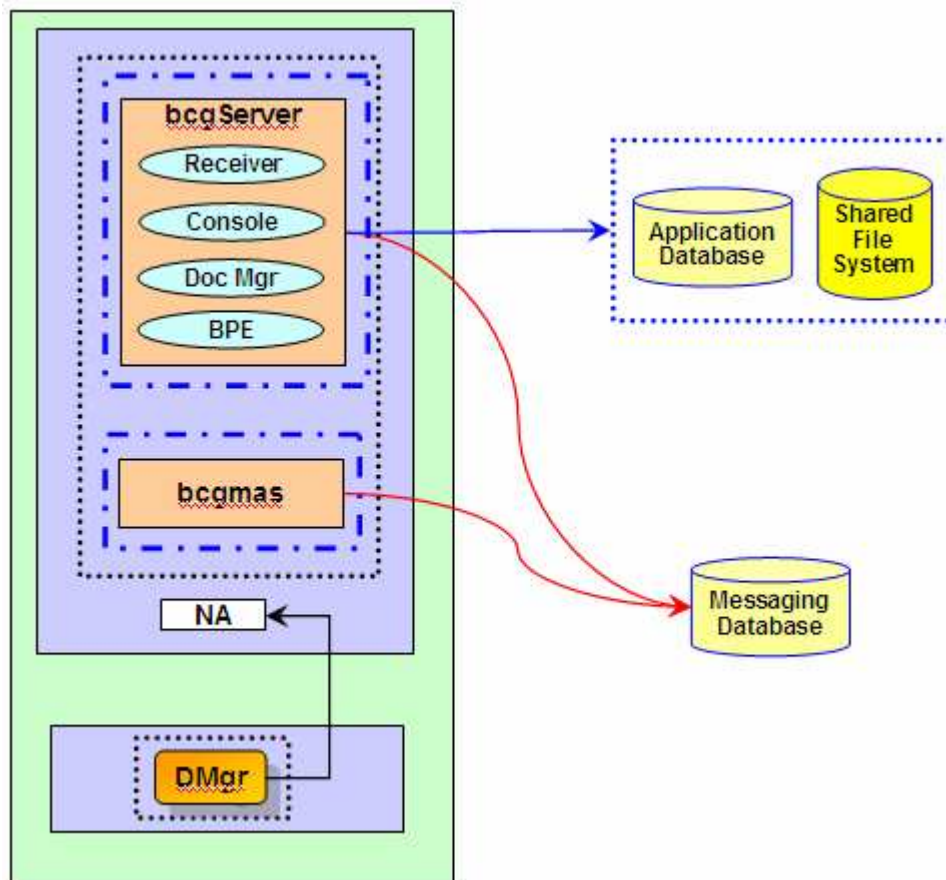
WebSphere Partner Gateway install process creates a cluster for each of the WebSphere Partner Gateway application server created within the Network Deployment Cell. The server becomes a member of the cluster. Once a cluster is created, additional cluster members can later be created. If a cluster member needs to be created on a separate machine, you would install the same WebSphere Partner Gateway application on that machine. This will result in creating a new cluster member in the already created cluster for that application (server) rather than creating a new server, separate from the cluster.

Since one of the primary purpose of distributed mode install is high performance and scalability, a separate messaging application server is created for handling the messaging between the different WebSphere Partner Gateway applications. In simple mode install, messaging is handled by the single server that runs the WebSphere Partner Gateway applications. Keeping it separate in distributed mode allows the WebSphere Partner Gateway application servers to focus on running the applications and have a separate dedicated server for messaging. Similar to the WebSphere Partner Gateway application servers, a cluster is created for messaging application server. Additional cluster members can then be added later if needed.

Simple Distributed Mode →

- A simple use case of Distributed mode topology is to have all the WebSphere Partner Gateway applications installed on the same server. This is done by providing the same server name for all the WebSphere Partner Gateway applications during install. This is called simple distributed mode. The advantage is that there is only one server running instead of three so that there is less memory usage. This is different than Simple Mode because in Simple Distributed there is still a messaging cluster and multiple machines (nodes) can be used for HA.
 - Network Deployment Cell topology and hence clustering, work load management and high availability available in simple distributed mode.
- Installation steps
 - Create and Load the WebSphere Partner gateway Applications Database
 - Create and Load the WebSphere Partner gateway Messaging Application Server (MAS) Database
 - Install Deployment Manager which creates a WebSphere Partner Gateway Deployment Manager and hence the WebSphere Partner Gateway Network Deployment cell and Starts the WebSphere Partner Gateway Deployment Manager
 - Install Hub using Install Simple Distributed option on the launchpad which
 - Creates a WebSphere Application Server node with a single Server and install all WebSphere Partner Gateway applications
 - Creates Messaging Server within the same WebSphere Partner Gateway node
 - Federates the WebSphere Partner Gateway node to WebSphere Partner Gateway Deployment Manager
 - Starts the Node Agent
 - Create Cluster
 - Adding Additional Servers
 - Repeat step of Install Hub using Install Simple Distributed option on the launch pad on same or different machine for creating additional cluster members

WebSphere Partner Gateway V6.1- Simple distributed mode



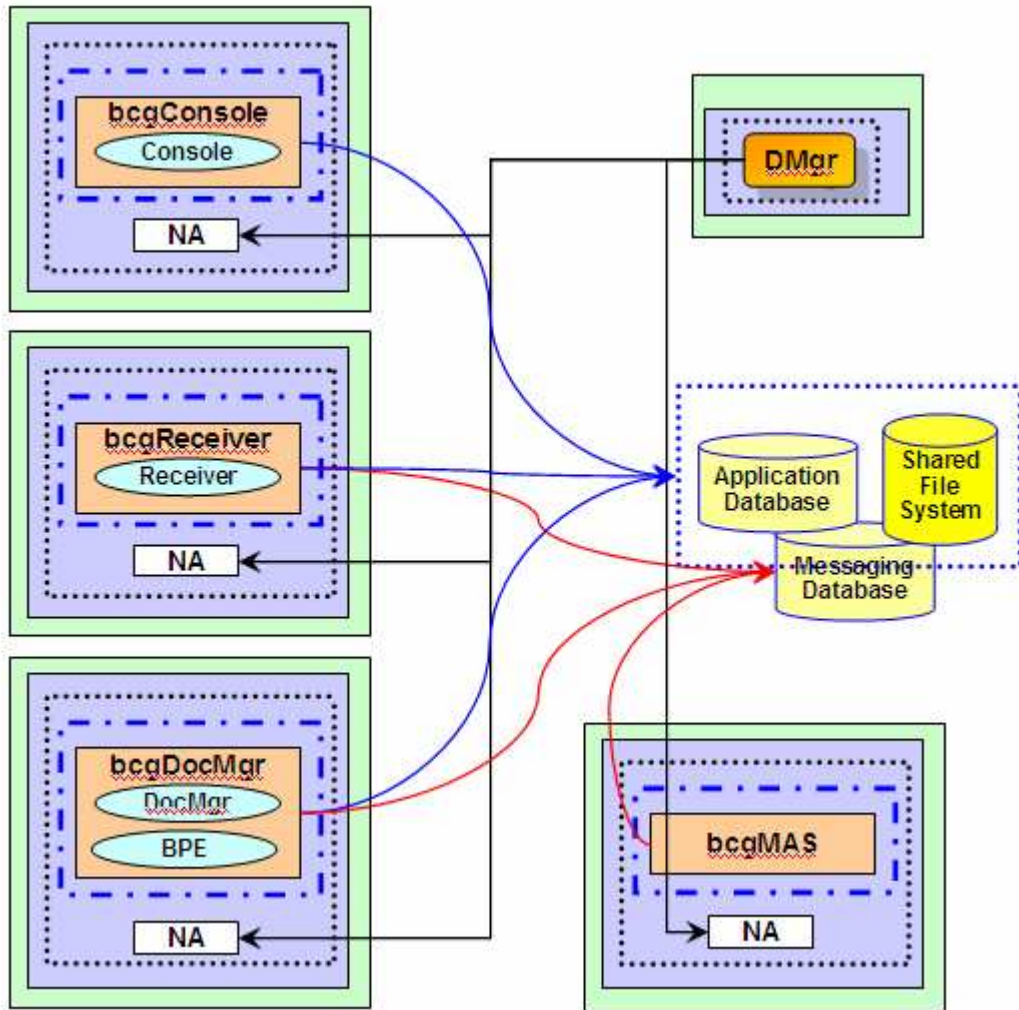
- **Full distributed mode →**

- The Deployment Manager is the central place for administrating for all the nodes. The WebSphere Partner Gateway applications are each defined in their own WebSphere Application Server, but they can on the same Node or different nodes. The picture shown below shows each application server in a different node. But each machine / node does not require all three components (REC, DOC, CON) to be installed.
- For administration purposes, each of the Application Servers will be in their own Cluster. Hence there is a cluster for the receiver Application Server, the Console Application Server and the Document Manager Application server.
 - Once WebSphere Partner Gateway is installed, additional servers (cluster members) within the clusters can be created for any of the WebSphere Partner Gateway

applications. Additional cluster members will provide the scalability and high availability that may be needed for a given environment.

- Each of the Application Servers is a member of the WebSphere Partner Gateway System Integration Bus, called bcgBus.
 - MAS is a dummy WebSphere Application Server Application Server being used for the purpose of messaging. If the active MAS and DOC are on the same machine then there is inter-process communication efficiency. May not want the MAS to be on the same machines as the WebSphere Partner Gateway components to reduce workload on the WebSphere Partner Gateway machines.
 - Destinations and ME definition are defined on MAS Cluster (not specific to Node). Only one of the MAS ME's will be active at a time, either on MAS/AS4/A1 or MAS/AS4/B1. All WebSphere Partner Gateway components communicate with the active MAS ME. If the active MAS ME goes down then the other MAS ME takes over.
- Installation steps
 - Create and Load the WebSphere Partner gateway Applications Database
 - Create and Load the WebSphere Partner gateway Messaging Application Server (MAS) Database
 - Install Deployment Manager which creates a WebSphere Partner Gateway DMgr and hence the WebSphere Partner Gateway Network Deployment cell and Starts the WebSphere Partner Gateway DMgr
 - Install Hub using Install Full Distributed option on the launchpad which
 - Creates a WebSphere Application Server node with a separate Server s for selected WebSphere Partner Gateway applications
 - Creates Messaging Server within the same WebSphere Partner Gateway node
 - Federates the WebSphere Partner Gateway node to WebSphere Partner Gateway DMgr
 - Starts the Node Agent
 - Create Cluster for each Server
 - Adding Additional Servers
 - Repeat step of Install Hub using Install Full Distributed option on the launch pad on same or different machine for creating additional cluster members

WebSphere Partner Gateway V6.1- Full distributed mode



Part 6: Installing WebSphere Partner Gateway databases

Installation of WebSphere Partner gateway by itself is a two part process

- Install WebSphere Partner Gateway DBLoader Components
 - Applications Database (required for both Simple mode and distributed mode)
 - MAS Database (required only for distributed mode)

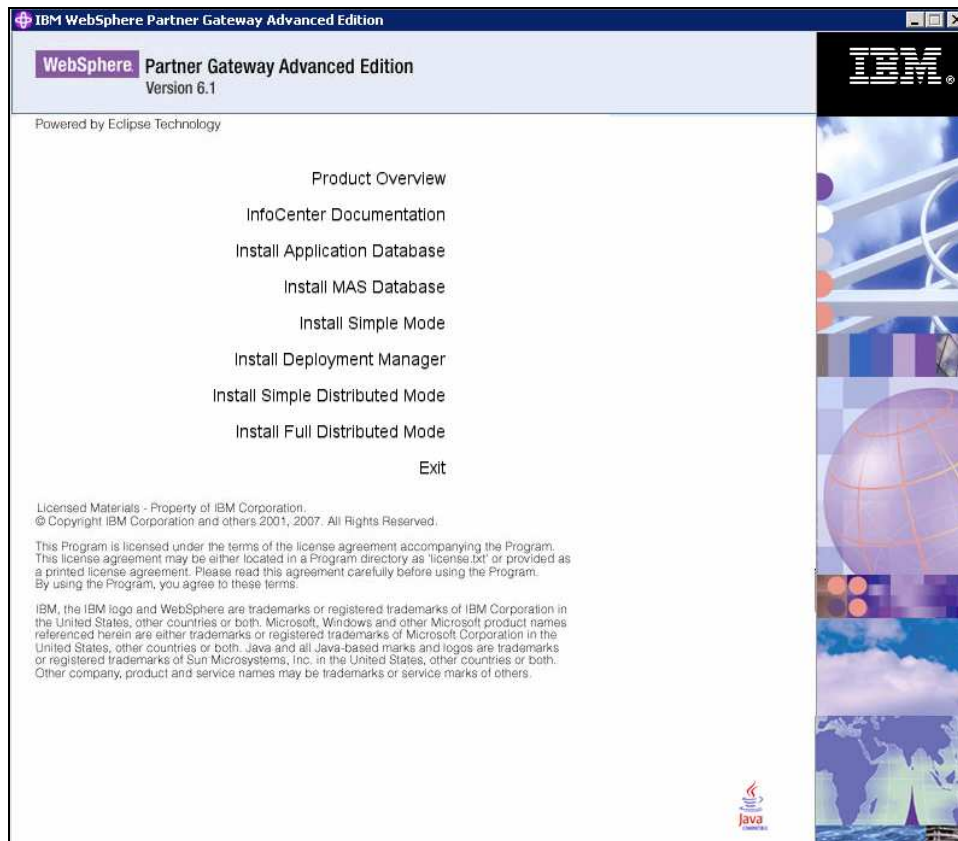
LaunchPad:

WebSphere Partner Gateway provides a launch pad program to provide one-stop access to the product overview, ReadMe file, product documentation, Database Loader, and WebSphere Partner Gateway Installer. Alternatively, you can start the database loader and installation programs using the supplied setup*. * programs.

The launch pad executable file is located in the directory: **<WPG_INSTALL_IMAGES>**

Open Command Window and change to **<WPG_INSTALL_IMAGES>** and enter the command:

Windows LaunchPad.bat
Linux LaunchPad.sh



Installing WebSphere Partner Gateway application database:

Note: WebSphere Partner Gateway Applications database is required for both the Simple and Distributed modes of Installation. WebSphere Partner Gateway MAS database is only required when you are planning to use the Distributed Mode of Installation.

- ___ 1. Click on **“Install Application Database”**
- ___ 2. Install shield wizard will initialize and pop up a Welcome Screen. Click **Next** to continue
- ___ 3. Select the radio button next to **“I accept the terms in license agreements”**. Click **Next** to continue
- ___ 4. In the next screen, you would be asked to enter the install Directory Name.

 Enter C:\IBM\WPG61\wpgappsdb

 Enter /opt/IBM/WPG61/wpgappsdb

Click **Next** to Continue

- ___ 5. In the next screen, you would be asked to **“Select the database server for WebSphere Partner Gateway”**. Select the radio button next to **IBM DB2 8.2 or later** and click **Next** to continue
- ___ 6. In the next screen, you would be asked to **“Enter the database information for DB2”**. Provide the values

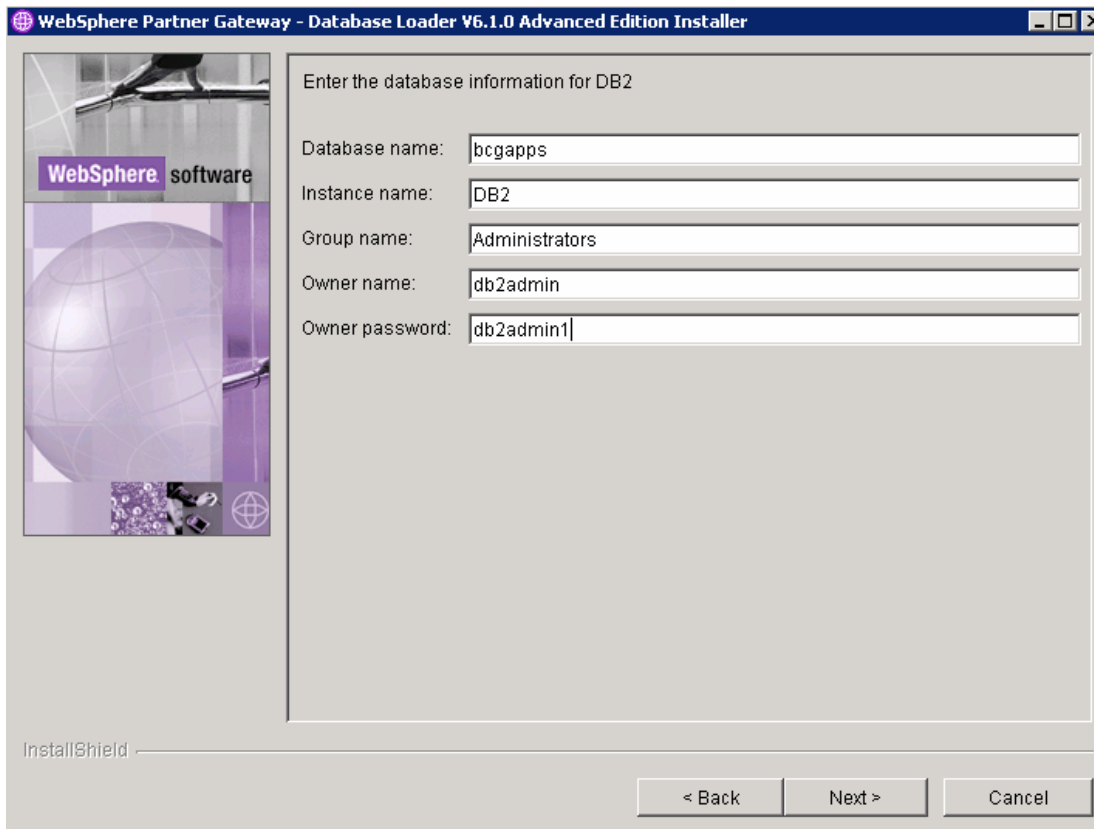
Database name: **bcgapps**

Instance name: **DB2**

Group name: **Administrators**

Owner name: **db2admin**

Owner password: **db2admin1**



____ 7. Click **Next** to continue

WebSphere Partner Gateway - Database Loader V6.1.0 Advanced Edition Installer

Enter the database information for DB2

Database name:

Instance name:

Group name:

Owner name:

Owner password:

InstallShield

< Back Next > Cancel

- ___ 8. In the next screen, you would be asked to “**Enter the location of the database and tables**”. Accept the defaults and click **Next** to continue
- ___ 9. In the next screen, you would be asked to “**Enter the name and password of database user**”. Provide the following values.

User name: **bcgdb**

Password: **bcg1db**

For this lab, the user **bcgdb** has already been created with password **bcg1db** at the start of the lab. But in general, the user information that you provide here should already exist.

WebSphere Partner Gateway - Database Loader V6.1.0 Enterprise Edition Installer

Enter the name and password of the Database user.

User name:

Password:

Enter the name of the WebSphere Partner Gateway user group.

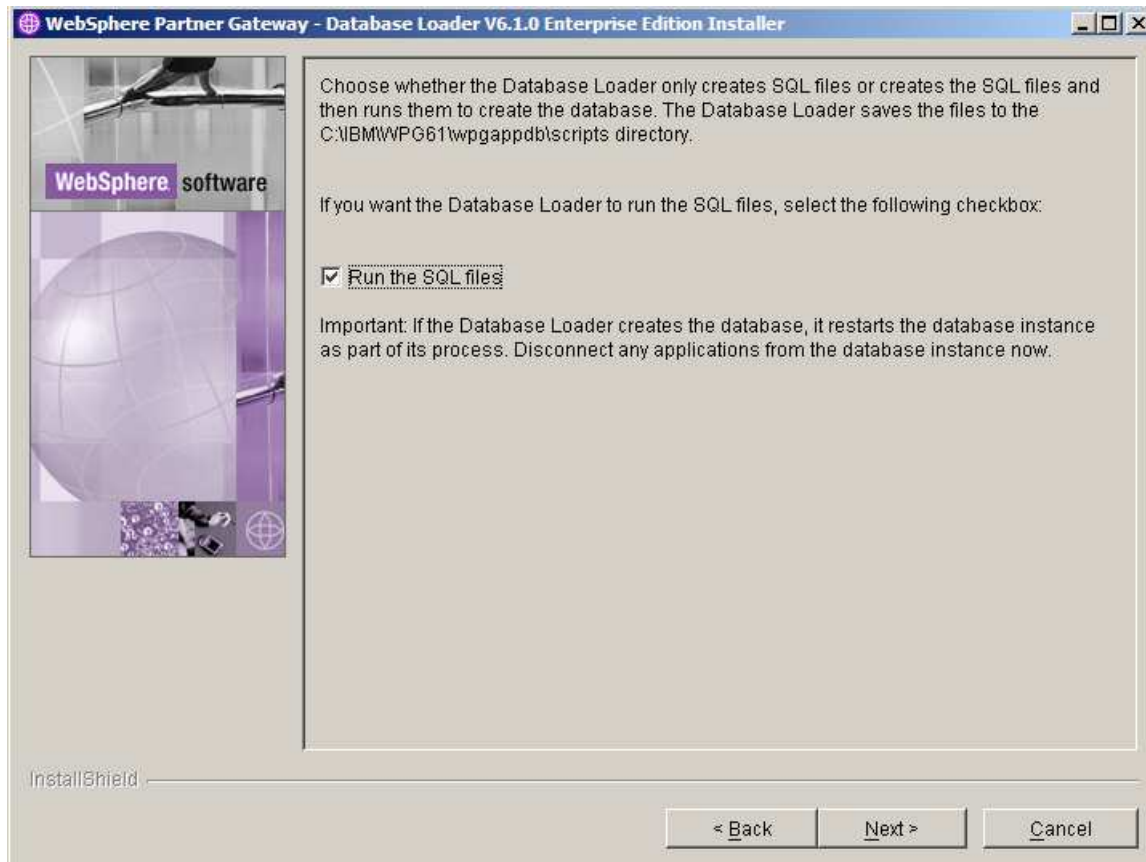
Group name:

InstallShield

< Back Next > Cancel

- ____ 10. The installer checks for the status of the database. In the next screen that comes up, select the check box next to “**Run the SQL files**”. Click **Next** to continue.

The SQL files are run to create the database **bcgapps**.



- ___ 11. In the Next screen, the installation location and the total size of install is displayed. Click **Next** to continue.

This should start the installation of DBLoader, creating the database and populating it.

- ___ 12. Click **Finish** to close the install window
- ___ 13. You have successfully installed WebSphere Partner Gateway Applications Database, created and populated the **bcgapps** database.

Part 7: Installing WebSphere Partner Gateway components – Simple mode

Note: You must have already completed running the installer for creating and loading the **WebSphere Partner Gateway Application database** before starting the WebSphere Partner Gateway components Installation. If you have not created the Application database, complete the task before continuing further. The steps for the creation and loading of the Application database are listed in the section “Installing WebSphere Partner Gateway Databases”.

For Simple mode of installation, only the **Application database** needs to be created

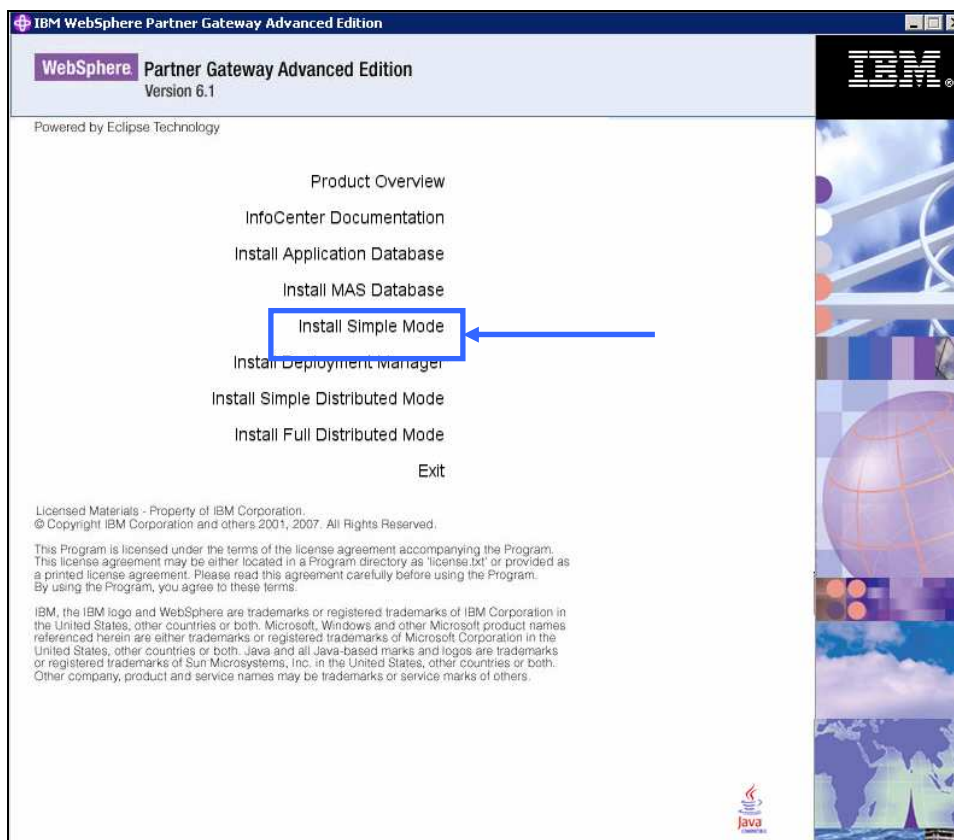
LaunchPad:

WebSphere Partner Gateway provides a launch pad program to provide one-stop access to the product overview, ReadMe file, product documentation, Database Loader, and WebSphere Partner Gateway Installer. Alternatively, you can start the database loader and installation programs using the supplied setup*. * programs.

The launch pad executable file is located in the following directory: <WPG_INSTALL_IMAGES>

Open Command Window and change to <WPG_INSTALL_IMAGES> and enter the command:

Windows LaunchPad.bat
Linux LaunchPad.sh



- ___ 1. Go to LaunchPad and click on “**Install Simple Mode**”.
- ___ 2. Install shield wizard will initialize and pop up a Welcome Screen. Click **Next** to continue
- ___ 3. Select the radio button next to “**I accept the terms in license agreements**”. Click **Next** to continue
- ___ 4. In the next screen, you would be asked to enter the install Directory Name.

 Enter C:\IBM\WPG61\wpghubsimple

 Enter /opt/IBM/WPG61/wpghubsimple

Click **Next** to Continue

- ___ 5. In the next screen, provide the host name of the machine on which you are installing WebSphere Partner Gateway.
- ___ 6. In the next screen, provide the directory where WebSphere Application Server is installed. Click **Next** to continue.

For the lab, you have installed WebSphere Application Server in C:\IBM\WAS61.

- ___ 7. In the next screen, you would be asked to “**Select the database server for WebSphere Partner Gateway**”. Select the radio button next to **IBM DB2 8.2 or later** and click **Next** to continue
- ___ 8. In the next screen, enter the requested information about the DB2 database.

Host name: **<host name>**

Port: **50000**

DB User name: **bcgdb**

DB User Password: **bcg1db**

Database name: **bcgapps**

Schema name: **DB2ADMIN**

DB User name, DB User Password and Database name are the same values that are used in the WebSphere Partner Gateway Applications Database install

WebSphere Partner Gateway V6.1.0 Advanced Edition Installer

Database type: Please enter information needed to connect to the APPS server database for IBM DB2 8.2 or later

Host name: wpgdemo.austin.ibm.com

Port: 50000

DB user name: bcgdb

DB user password: bcg1db

Database name: bcgapps

Schema name: DB2ADMIN

InstallShield

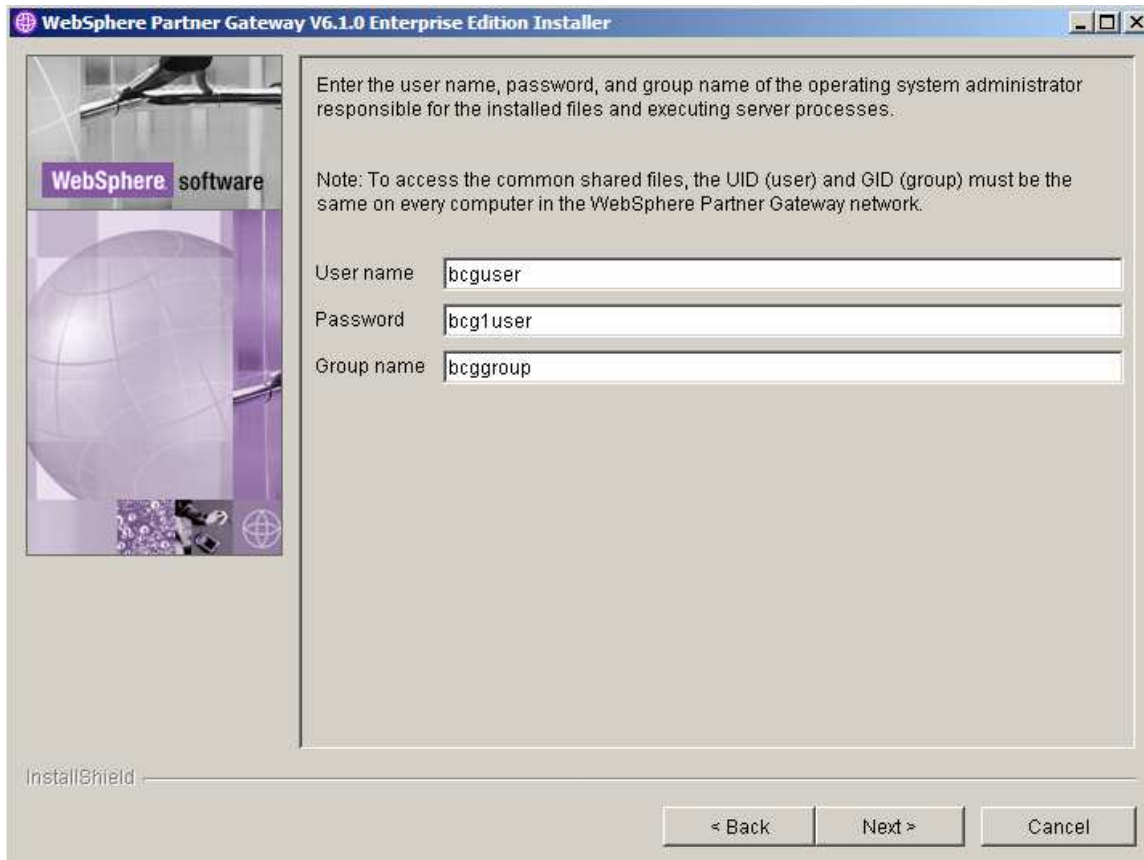
< Back Next > Cancel

- ___ 9. Click **Next** to continue
- ___ 10. The Database connection confirmation window will appear. Click **Next** to continue.
- ___ 11. In the Common information directory window, type the location of the common shared components.

Windows Enter **C:\IBM\WPG61\wpghubsimple\common**

Linux Enter **/opt/IBM/WPG/wpghubsimple/common**

12. In the next screen, provide the user name, password and group name of the user responsible for installed files and the execution of server processes. For this lab, you are using the username **bcguser** which was created at the start of the lab.

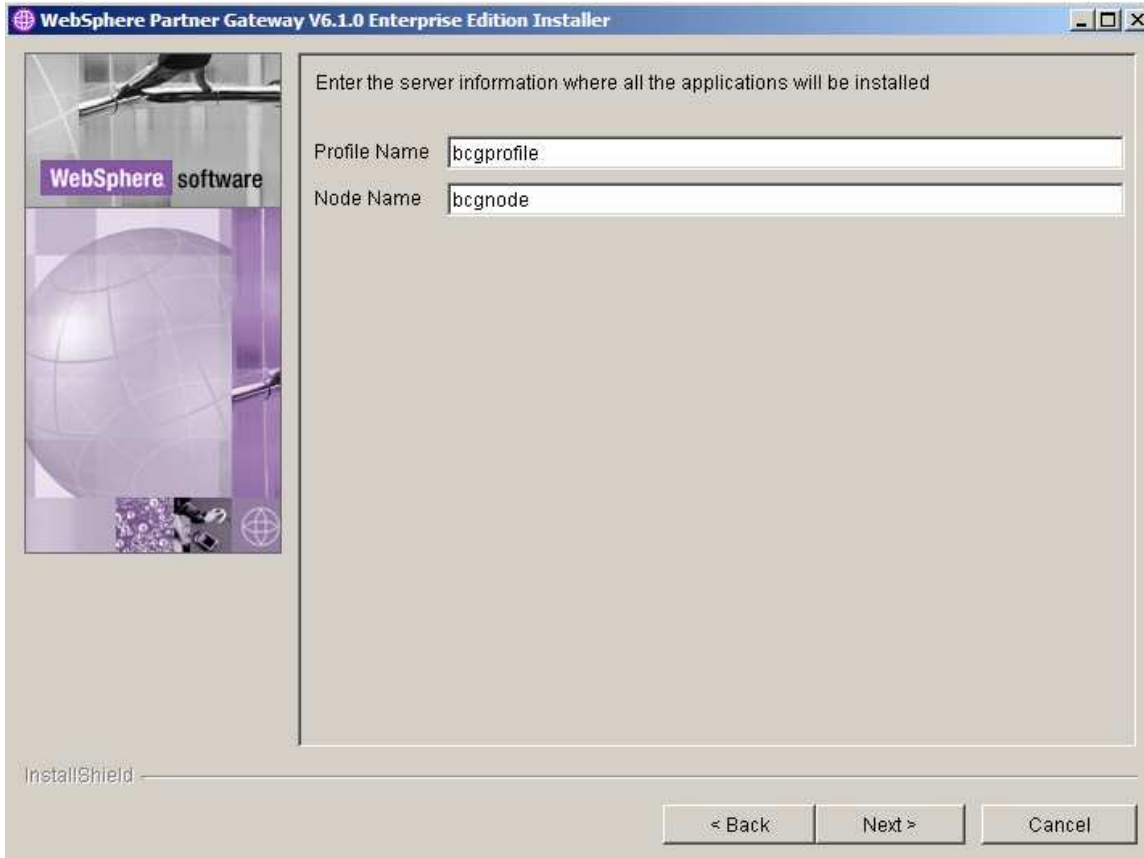


13. The next screen gives an option to set the features selected to install as windows services. This option is only relevant when installing on windows platform. Click the check box next to **“Install as Windows Services”**. Click **Next** to continue

____ 14. In the next screen, provide the profile name and the node name for the server where the applications will be installed. It is a good practice to keep profile and node names short in order to not to run into the windows 256 character limit issue. Provide the following values and click **Next** to continue

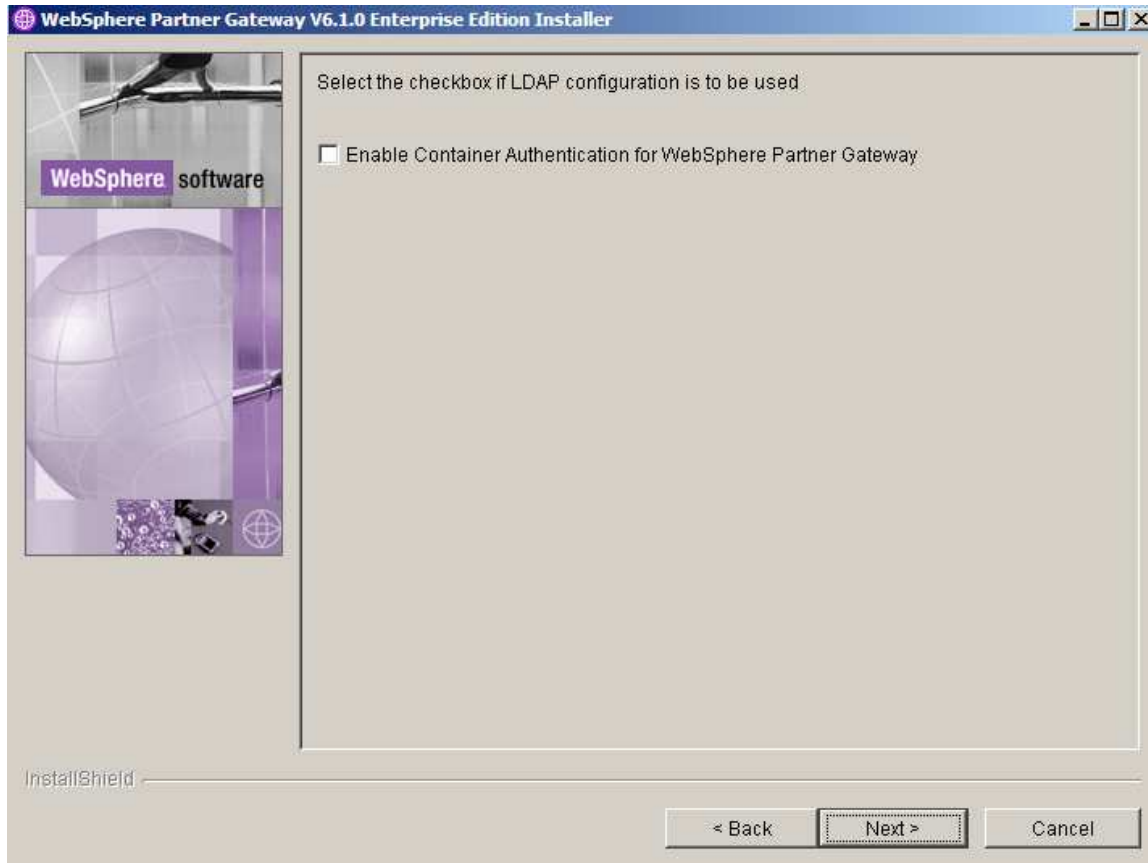
__ a. Profile Name : **bcgprofile**

__ b. Node Name: **bcgnode**



____ 15. In the next screen, you will be prompted to enter the HTTP and HTTPS port numbers used by the applications. Accept the defaults and click **Next** to continue

- ____ 16. In the next screen, you will be given an option to enable Container Authentication for WebSphere Partner Gateway. Leave the check box unchecked and click **Next** to continue



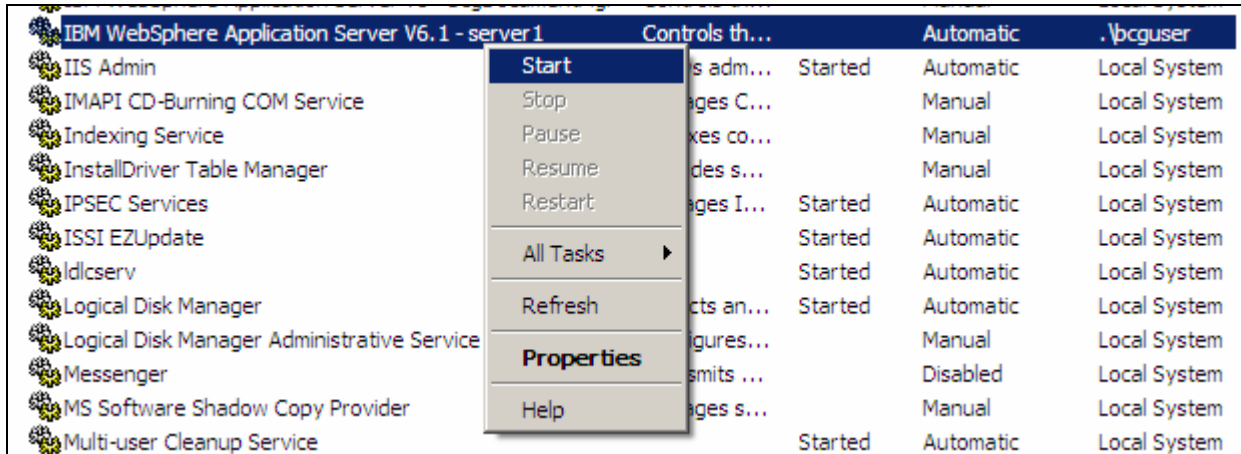
- ____ 17. The next screen provides the summary of features that will be installed and the size of the install. Click **Next** to install
- ____ 18. In the next screen, when the **Finish** button is activated, click on **Finish** to close install window

Part 8: Starting WebSphere Partner Gateway – Simple mode

After you have installed WebSphere Partner Gateway, the product is ready to run. There are two ways to start WebSphere Partner Gateway. You can either start WebSphere Partner Gateway as a service or start it from a command prompt.

To start WebSphere Partner Gateway as a service, complete the following steps:

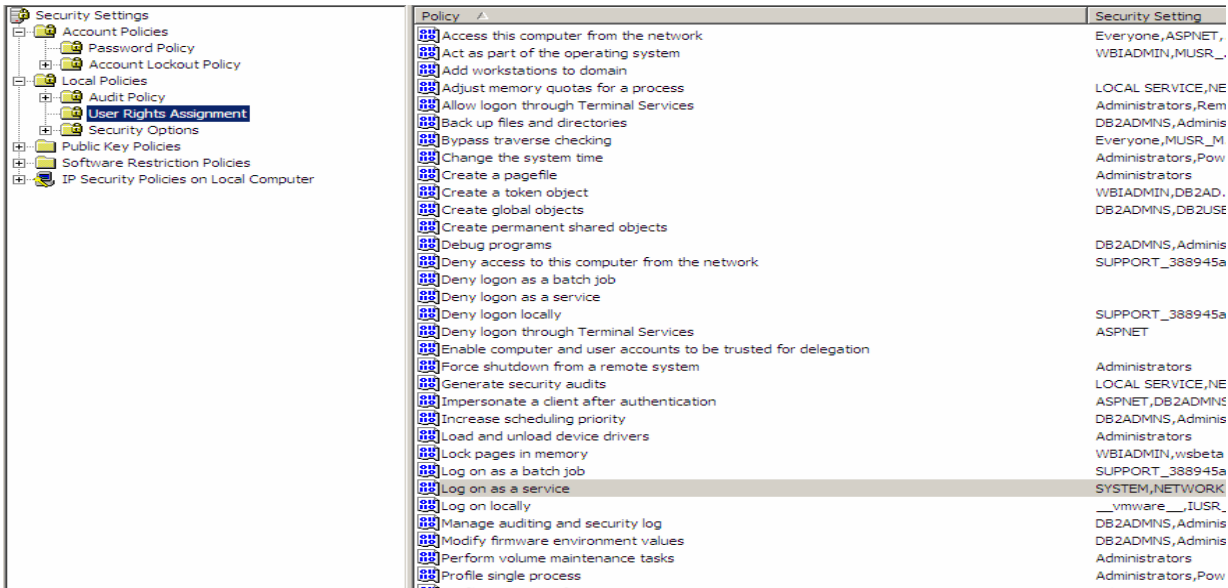
- ___ 1. Click **Start > Settings > Control Panel > Administrative Tools > Services**.
- ___ 2. Right click on **IBM WebSphere Application Server V6.1 –server1** and select **Start**.



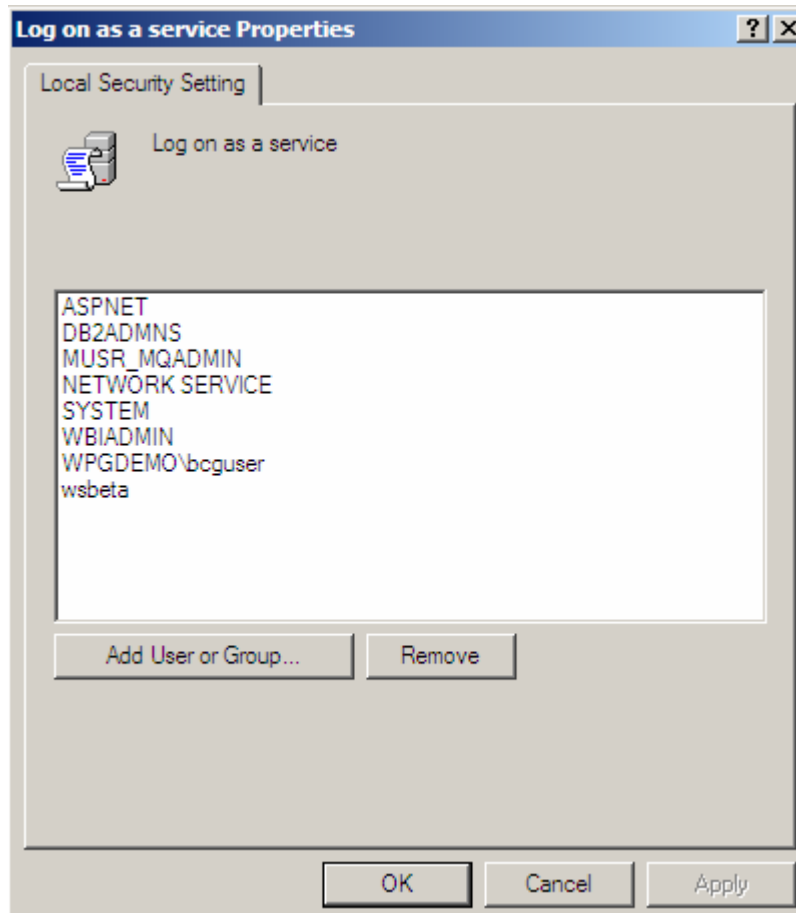
If you have had problems starting the WebSphere Application Server from services as described in the WebSphere Partner Gateway Simple and Distributed Mode labs, follow the steps below.

The problem is because of the local security policy which does not have **bcguser** in the list of users who have permissions to **Log on as Service**.

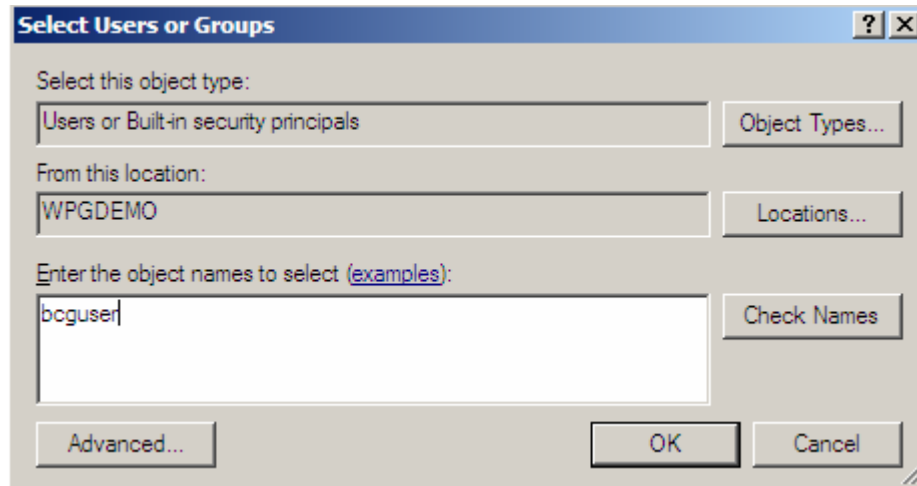
- ___ 3. Go to **Start → Control Panel → Administrative Tools → Local Security Policy**
- ___ 4. Expand **Local Policies**
- ___ 5. Select **User Rights Assignment**
- ___ 6. Locate **Log on as a Service** option in the right hand panel and double click on it



___ 7. In the dialog box that opens up, click **Add user to Group** button



___ 8. Enter **boguser** in the text box and press OK.



- ___ 9. Click OK on the Log on as Services properties dialog box.

This should fix the problem of not being able to start the servers from the windows services

Note: You can also select to have these servers start at system start by right clicking on the servers and selecting Automatic.

To start WebSphere Partner Gateway from a command prompt, complete the following steps:

- ___ 1. Navigate to the following directory: `<WPG_HUB_SIMPLE_HOME>\bin`
- ___ 2. Start the WebSphere Partner Gateway components by entering the following command:
bcgStartServer.bat

To log into the WebSphere Partner Gateway community console, complete the following steps:

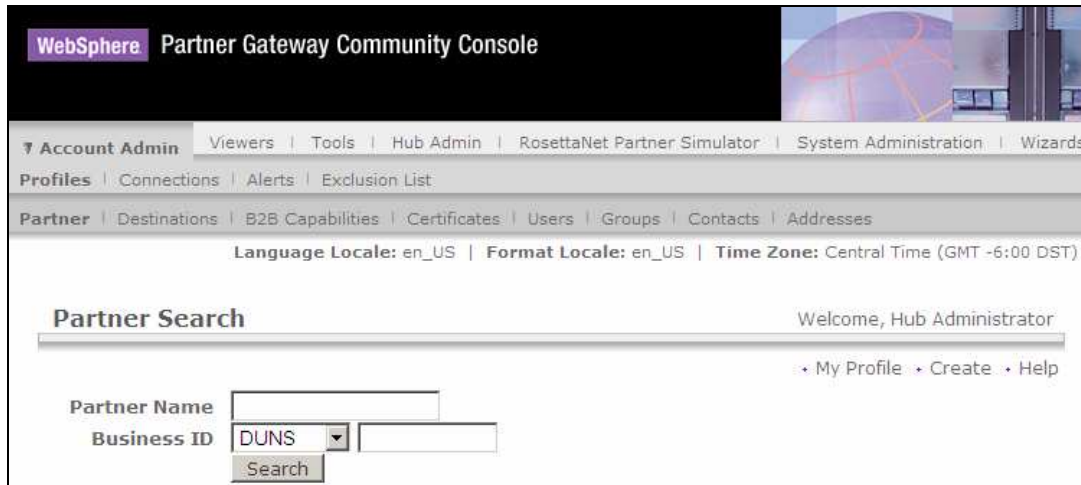
- ___ 1. Open a Web browser and type the following URL:
- Unsecured: **http://<host name>.<domain>:58080/console**
- Secure: **https://<host name>.<domain>:58443/console**

Where *<host name>* and *<domain>* are the name and location of the computer hosting the Community Console component.

Note: WebSphere Partner Gateway Community Console requires cookie support to be turned on to maintain session information. No personal information is stored in the cookie, and it expires when the browser is closed.

- ___ 2. The Web browser displays the Welcome page. Log into WebSphere Partner Gateway using the following information:
- ___ a. In the "User Name" field, type: **hubadmin**

- ___ b. In the “Password” field, type: **Pa55word**
- ___ c. In the “Company Login Name” field, type: **Operator Click Login.**
- ___ d. When you log in for the first time, you must create a new password.
 - 1) Enter a new Password as **hub1admin**,
 - 2) Enter the new password **hub1admin** a second time in the Verify field.
- ___ e. Click **Save**.
- ___ f. The system displays the console’s initial entry window.



To log into the WebSphere Application Server Administrative console, complete the following steps:

- ___ 1. Open a Web browser and type the following URL:
 - Unsecured: **http://<host name>.<domain>:58090/ibm/console**
 - Secure: **https://<host name>.<domain>:58043/ibm/console**

Where <host name> and <domain> are the name and location of the computer hosting the Community Console component.

Note: The above information is to open the WebSphere Application Server Administrative Console not the WebSphere Partner Gateway Console. WebSphere Partner Gateway Console is an application that is running on the WebSphere Application Server.

Part 9: Stopping WebSphere Partner Gateway – Simple mode

To stop WebSphere Partner Gateway as a service, complete the following steps:

- ___ 1. Click **Start → Settings → Control Panel → Administrative Tools → Services**.
- ___ 2. Right click IBM WebSphere Application Server V6.1 –server1 and select **Stop**

To stop WebSphere Partner Gateway from a command prompt, complete the following steps:

- ___ 1. Navigate to the following directory: **<WPG_HUB_SIMPLE_HOME>\bin**
- ___ 2. Shut down the server by entering the following command: **bcgStopServer.bat**

If you just want to stop the WebSphere Partner Gateway applications and not the servers hosting the applications, you can do that by using the WebSphere Application Server Administrative Console

- ___ 1. Open a Web browser and type the following URL:

Unsecured: **http://<host name>.<domain>:58090/ibm/console**

Secure: **https://<host name>.<domain>:58043/ibm/console**

Where *<host name>* and *<domain>* are the name and location of the computer hosting the deployment manager.

- ___ 2. Go to **Applications → Enterprise Applications** and select the applications you want to stop by checking the check boxes and click the stop button. This will stop the applications WebSphere Partner Gateway applications running on the server/clusters

Part 10: Log files – Simple mode

If you encountered a problem while installing the databases using the Database Loader, consult the Database Loader logs in the **system temp\bcgdbloader** directory for information on the problem.

For example:

Windows Documents and Settings\<user>\Local Settings\Temp\bcgdbloader

Once the problem is resolved, complete the following steps to delete the created database:

- Run the Database Loader uninstaller, and delete the database
- Once you have deleted the database, rerun the Database Loader wizard.

In the event that you experience problems while installing the WebSphere Partner Gateway components, review the following installation logs:

Examine the **bcghub** logs in the **system temp\bcghublogs** directory for information on the problem.

For example:

Windows Documents and Settings\<user>\Local Settings\Temp\bcghublogs

Installation Logs

```
<WPG_HUB_SIMPLE_HOME>\logs
<WPG_HUB_SIMPLE_HOME>\logs\bcgconsole
<WPG_HUB_SIMPLE_HOME>\logs\bcgreceiver
<WPG_HUB_SIMPLE_HOME>\logs\bcgdocmgr
```

:

Check the following logs if you have chose to install the WebSphere Partner Gateway components on WebSphere Application Server V6.1 which is already installed on this computer for any profile related errors.

WebSphere Application Server V6.1

```
<WAS_HOME>\logs
```

Where <WAS_HOME> is where you have the WebSphere Application Server V6.1 installed.

You should also examine the following runtime logs:

WebSphere Partner Gateway Component V6.1 Logs

```
<WPG_HUB_SIMPLE_HOME>\wasND\Profiles\<profile name>\logs
```

Part 11: Uninstalling WebSphere Partner Gateway – Simple mode

Use this procedure to uninstall either WebSphere Partner Gateway or the Database Loader:

If you installed WebSphere Partner Gateway as a Windows Service, you will need to stop the Receiver, Document Manager, and Console before uninstalling WebSphere Partner Gateway.

Follow the instruction in Part 8 to stop the Receiver, Document Manager, and Console.

Uninstalling WebSphere Partner Gateway DBLoader for applications database

- ___ 1. To uninstall the WebSphere Partner Gateway DBLoader for applications database, open a command window and change directories to the following

Windows Go to <WPG_APPSDB_HOME>_unist directory, run the uninstaller executable.

Linux Go to <WPG_APPSDB_HOME>/_unist directory, run the uninstaller executable

- ___ 2. The uninstaller wizard starts and displays the Welcome window. Click **Next**.
- ___ 3. In the next window, Provide the following values if not already there by default

DB2 Database Owner: **db2admin**

DB2 Instance Name: **DB2**

DB2 Database Name: **bcgapps**

Click **Next** to continue

- ___ 4. In the next screen, check the check box next to “**Drop the database**”. Click Next to continue.
- ___ 5. The Summary window lists the components that the uninstaller will remove. Review this information. If any of this information is incorrect, click **Back** to return to previous windows and correct it. When all of the information on the summary window is correct, click **Next**.
- ___ 6. The uninstaller removes the selected components. When it has removed all of the components, the uninstaller enables the **Finish** button. Click **Finish**.

You have successfully uninstalled WebSphere Partner Gateway DBloader Component.

Uninstalling WebSphere Partner Gateway Components – Simple Mode

- ___ 1. To uninstall the WebSphere Partner Gateway Components, open a command window and change directories to

Windows Go to <WPG_HUB_SIMPLE_HOME>_unist directory, run the **uninstall** executable.

Linux Go to <WPG_HUB_SIMPLE_HOME>/_unist directory, run the **uninstall** script

- ___ 2. The uninstaller wizard starts and displays the Welcome window. Click **Next**.
- ___ 3. The Summary window lists the components that the uninstaller will remove. Review this information. If any of this information is incorrect, click **Back** to return to previous windows and correct it. When all of the information on the summary window is correct, click **Next**.

Note: The uninstaller only removes files that were created during the installation. It does not remove any files or folders that were created after installation. You can remove any remaining files or folders manually after the uninstall is complete.

- ____ 4. The uninstaller removes the listed components. When it has removed all of the components, the uninstaller enables the **Finish** button. Click **Finish**.
- ____ 5. Review the files that remain in the directory structure and then remove the directory tree.

You have successfully uninstalled the WebSphere Partner Gateway from your system.

What you did in this exercise

In this exercise, you have successfully installed the prerequisite software (DB2), and installed the WebSphere Partner Gateway DBLoader and Hub.