



IBM Software Group

# WebSphere® Business Modeler V6.0

## *Process Modeling Overview and Enhancements*



@business on demand.

© 2006 IBM Corporation  
Updated January 16, 2006

This presentation will provide an overview of the Process Modeling capabilities for WebSphere Business Modeler V6.0.

## Goals

- Provide an overview of the process modeling capabilities
- Introduce the Swimlane editor for modeling processes
- Describe different modeling enhancements



The goals for this presentation are to provide an overview of the process modeling capabilities, to introduce the Swimlane editor and its capabilities, and to describe enhancements available to make process modeling more efficient in WebSphere Business Modeler.

## Agenda

- Overview of Process Modeling
- Swimlane Editor
- Process Editor Enhancements
- Summary

This section will provide you an overview of process modeling.

## Importance of Process Modeling

- Document processes for use by a business to understand the business process
- Document both the current state and future state business process and the comparison to determine Return on Investment (ROI) analysis
- Modeler can create artifacts from the business model and make them available in technology development tools to reduce the overall implementation time of new business processes



Organizations have different objectives for modeling. WebSphere Business Modeler is well suited to each of these purposes.

Some organizations have a tactical need to accurately document processes for legal, regulatory, training or other purposes. WebSphere Business Modeler's ease of use, shared model element, document attachment and collaboration features make it very appealing for these situations.

Many businesses are undertaking specific process improvement initiatives where process redesign is either already underway or inevitable. The analysis and reporting, simulation and process comparison capabilities in WebSphere Business Modeler make it a very powerful tool for this approach.

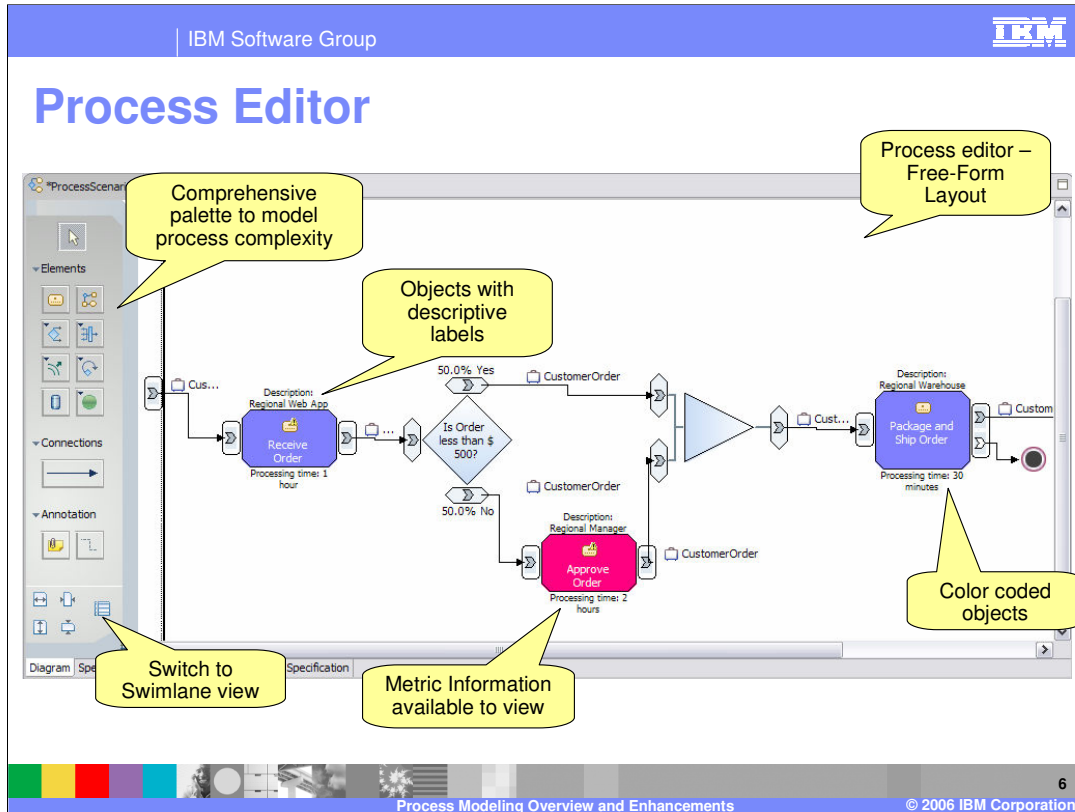
When the organization chooses to implement the new "To-Be" process, WebSphere Business Modeler can provide artifacts from the business model which provide the design and roadmap as the IT community begins to add the implementation details to the process model. This increases the accuracy of the transition from the business to the technology domain, and reduces the implementation time.

## Process Model Features



For business modeling, there are two different editor options to simplify modeling. There is the Free-Form editor, which was available in previous versions of WebSphere Business Integration Modeler. There is also the Swimlane editor which is new for WebSphere Business Modeler V6.0. The Swimlane editor provides a convenient way to lay out process while taking into consideration the different resources and other types of qualifiers which are assigned to the tasks and elements of a process. With the Swimlane editor, you can clearly see how different transitions occur between different tasks within the business processes.

Both editors can make use of different colors and labels that you can enable on tasks and other elements in processes to provide additional information and clarity to the process.



Here is a snapshot of the Process Editor in the Free-Form layout mode. You can easily change it to Swimlane Editor, either by clicking on the button at lower left-hand corner, or just by right-clicking inside the Process Editor background and selecting “Switch to Swimlane layout by” and then select a classifier. You can see the different elements which are available on the palette and can be simply dragged and dropped onto the canvas of the editor. The snapshot also shows some labels, description information and metric information such as processing time that can be specified for the different types of tasks. It also shows different colors for different tasks based on the roles assigned to them.

## Process Model: Editing Modes



WebSphere Business Modeler V6.0 has six Editing modes. The first three editing modes, Basic, Intermediate, and Advanced mode set the level of detail. Advanced mode provides more options and details than Intermediate and Basic modes.

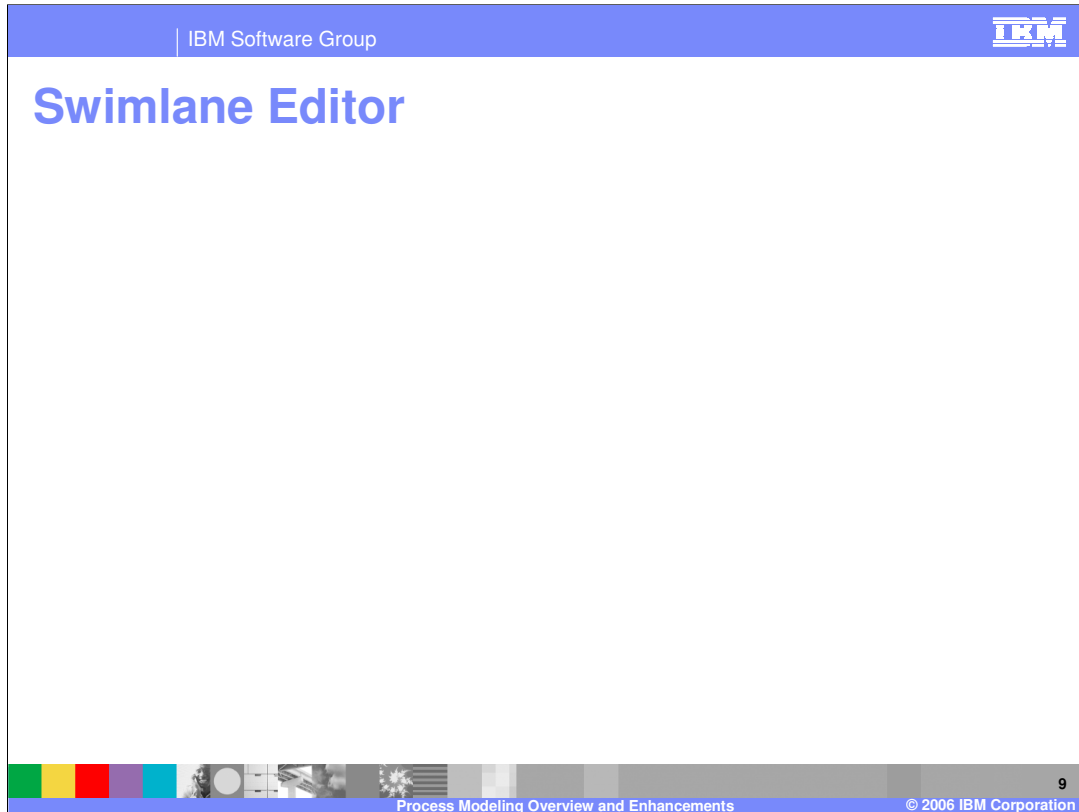
The next three modes, WebSphere Business Integration Server Foundation, WebSphere MQ Workflow, and WebSphere Process Server mode are technology modes. These modes include all of the details and options of the Advanced mode as well as additional validation which is applicable to the appropriate runtime environment. Anything that is inappropriate to that particular runtime environment will be flagged. You should change to a particular technology mode as soon as you know your runtime environment that is going to run your process. This will reduce the amount of rework which must be performed when preparing the process for deployment to one of the particular runtime environments.

## Agenda

- Overview of Process Modeling
- **Swimlane Editor**
- Process Editor Enhancements
- Summary

The next section will provide an overview of Swimlane Editor which is new for WebSphere Business Modeler V6.0,

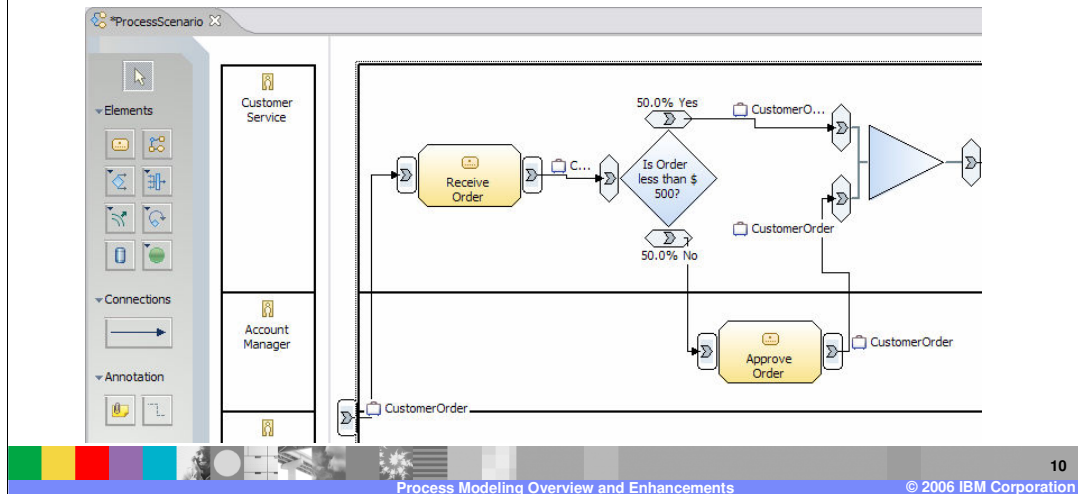




The Swimplane editor provides a means of laying out and viewing logically related process elements grouped together based on organization unit, location, role, individual resource definition, bulk resource definition, or classifiers in swimlanes. Each swimlane would be specific to a resource value and contain those elements which have been assigned to that resource or classifier. This is new support for WebSphere Business Modeler; in WebSphere Business Integration Modeler V5.1, the Swimplane view was a read-only view of the process. With the Swimplane editor, you can clearly see how different tasks interact with one another as links cross the swimlanes into the different categories.

## Swimlane Editor Capabilities

- Provides Swimlane specific editing capabilities
  - Create, modify, delete, reorder, resize swimlanes
- Supports editing feature and options of Free-form editor too



Here is a snapshot of the Swimlane editor. In this snapshot, the view has been set to layout the process using swimlanes based on roles. The view shows which different activities are assigned to which roles. Here, Receive Order task is completed by Customer Service role and Approve Order task is completed by Account Manager role. The Swimlane editor includes the same palette of elements as the Free-form editor which can be used for building the business process. From the Swimlane editor, you can easily switch to the Free-Form editor.

## Agenda

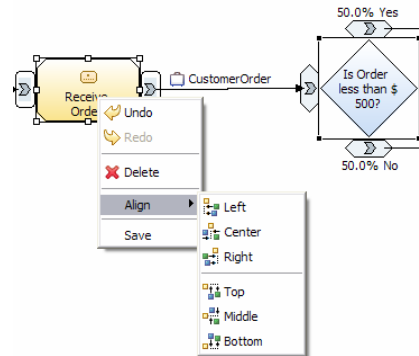
- Overview of Process Modeling
- Swimlane Editor
- Process Editor Enhancements
- Summary

The next section will describe some of the process editor enhancements which have been added in WebSphere Business Modeler V6.0.

## Alignment Options

**New  
V6**

- Multiple nodes may be aligned
- Alignment is based on total node size
  - ▶ Includes Input/Output and Criteria/Branches as calculated size to consider
- Selection of an Input/Output or Criteria/Branch is a selection of the entire node
  - ▶ Same alignment result



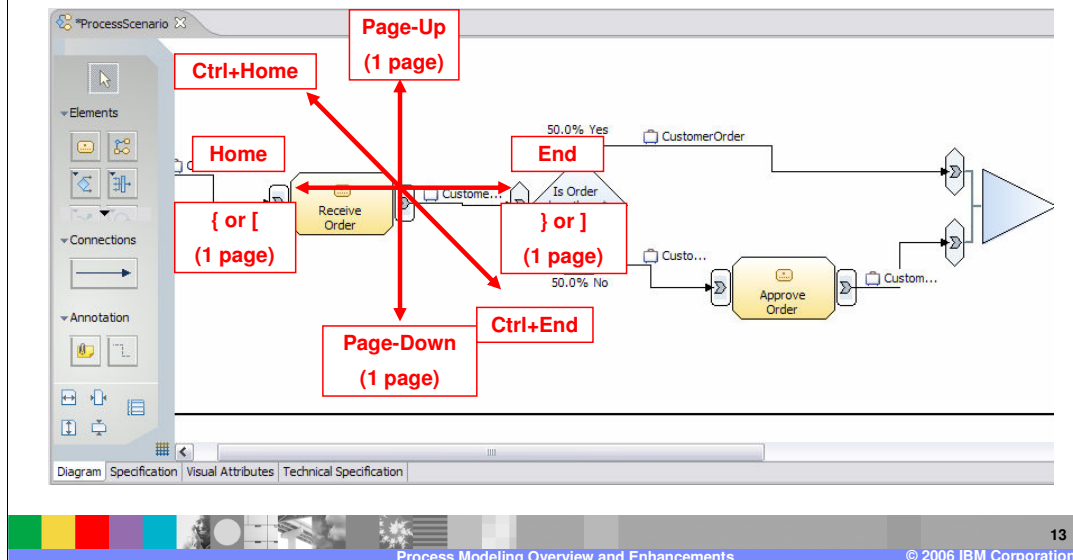
This slide explains some added enhancements in the alignment of the process diagram in WebSphere Business Modeler V6.0. These enhancements help in overall usability and efficiency in building processes either in Free-Form or Swimlane editors.

In WebSphere Business Modeler V6.0, you can align multiple nodes. You can select two or more nodes and right-click to select Alignment options as required. There are actually six types of alignments – Left, Center, Right, Top, Middle, Bottom. Alignment is based on total node size. In calculating size, Input/Output and Criteria/Branches are considered. You can also select Input/Output and Criteria/Branches to select that entire node and get the same alignment results.

## Keyboard Diagram Navigation

New  
V6

- Keyboard options to navigate process diagrams



For working with large process diagrams, WebSphere Business Modeler V6.0 includes key maps for navigating within the Process Editor. With these keys you can easily navigate within the process diagram without using the mouse.

The mapped keys provided are as follows:

Page-Up: one page up vertically

Page-Down: one page down vertically

{ or [: one page up horizontally

} or ]: one page down horizontally

Ctrl+Home: starting corner of the process diagram

Ctrl+End: ending corner of the process diagram

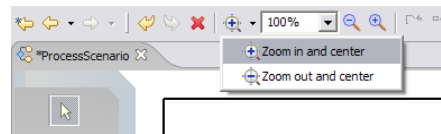
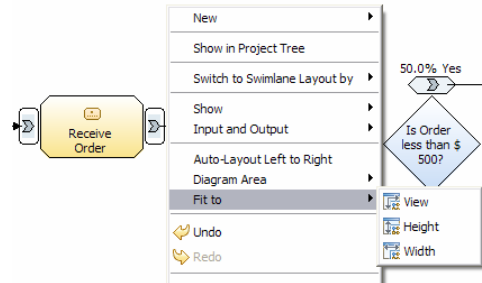
Home: horizontal start of the process diagram

End: horizontal end of the process diagram

## Diagram Visualization

New  
V6

- Ability to visualize the diagram with different options
  - ▶ Fit to > View
    - Fit the entire diagram into the current view area
  - ▶ Fit to > Height
    - Fit the height of entire diagram into the current view area
  - ▶ Fit to > Width
    - Fit the width of the entire diagram into the current view area
  
- Zoom and centered capability
  - ▶ When zooming to the next/previous level, the clicked location in the editor becomes the center of the diagram



There are some additional features to view the entire process diagram. You can shrink the process based on a percentage (%), but many times the “view by” area is fixed. You can right-click on the background of the process diagram and select one of three “Fit to” options.

View makes the entire diagram visible in the current view.

Height fits the height of the entire diagram to the current view

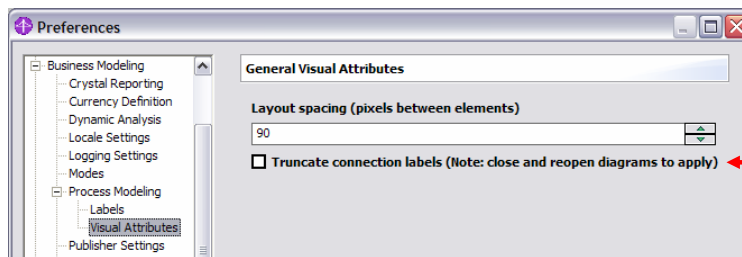
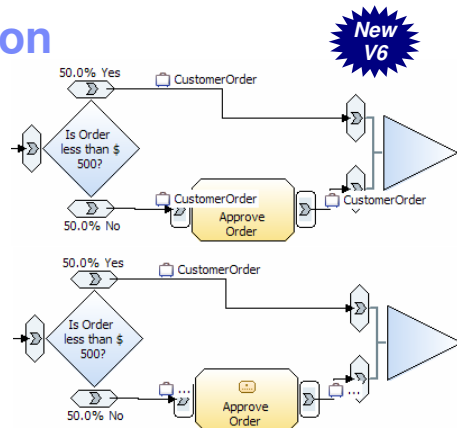
Width fits width of the entire diagram to the current view

“Zoom and center” capability is a new feature in WebSphere Business Modeler V6.0.

When zooming to some other level, the clicked location in the editor becomes the center of the diagram.

## Connection Label Truncation

- Connection label truncation based on the user set preference
  - Default setting is no truncation
- Label width on a connection depends on the distance between the source and the target of the connection



15

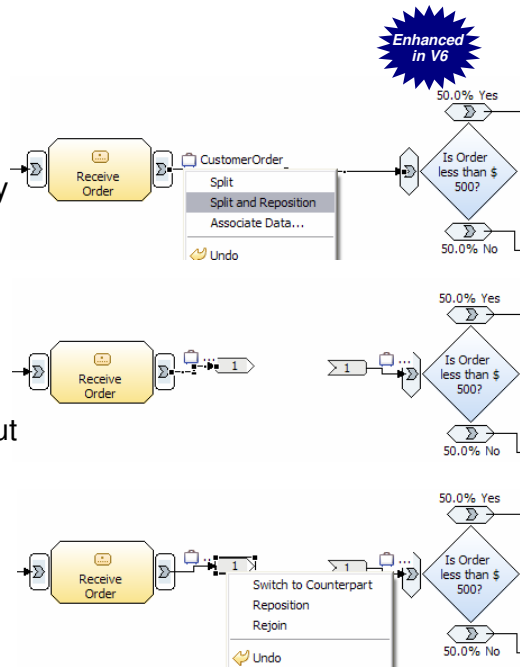
Process Modeling Overview and Enhancements

© 2006 IBM Corporation

For large processes with many different business items that are specified on the connections between the tasks, certain labels on tasks cannot be viewed and the readability of those large processes suffers. In WebSphere Business Modeler V6.0, an additional feature, 'Truncate connection labels', which is not enabled by default, truncates labels on the connections and improves the readability. As shown in the two screen captures, the top screen capture has the label truncated. With the second screen capture, the label is not truncated and the business item name intrudes into the task. The truncation criteria or the label width on a connection depends on the distance between the source and target of the connection. You can uncheck this option, but you have to close and open the diagram to apply the change.

## Connecting Elements

- Connections can be split between nodes
  - ▶ Improves readability and usability
  - ▶ Reduces clutter
- All connection functions and options remain the same for the split connection
  - ▶ Associate Data
  - ▶ Static Analysis > Input and Output paths
- Switch from node to counterpart
- Disconnected nodes may be rejoined



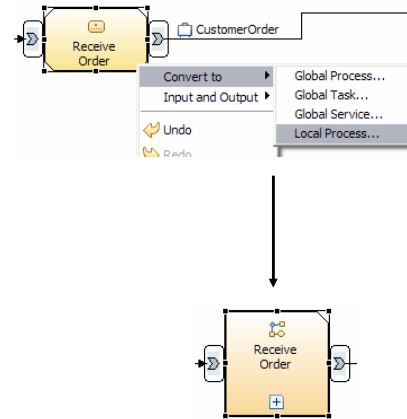
Another readability and usability improvement in WebSphere Business Modeler V6.0 is the ability to split connections between two far apart nodes in large diagrams. This can help reduce the clutter and make it easier to follow long links which span the diagram. Using this feature, each point of connection will have a specific number that is managed by the editor. With this number you can move the connection around; however, it is always associated with its counterpart. This can greatly improve the readability. You can switch to the counterpart of the connection directly, without having to traverse through the diagram, using new Switch to Counterpart option. Disconnected nodes can also be rejoined very easily.



## Converting Tasks



- Local elements can be converted to another local type or to a global type
- Local task to local process, global process, global task, global service
- Local process to local task, global process, global task, global service



There are some improvements in capabilities in converting the tasks and processes. WebSphere Business Modeler V6.0 has four new conversion types which can be applied to local tasks and processes. You can now select for a local task to be converted to a local process, global process, global task, or global service. You can also now select for a local process to be converted to a local task, global process, global task, or global service. The scope of a global artifact is still up to the project level and not the workspace level. The global process or task can be reused in the entire project as many times as required. The conversion from local types to global types cannot be fully reversed. The conversion from local task to local process however, can be reversed. Certain information will not be converted when converting a task or process.

## Converting Considerations

- Converting local tasks and processes may lose certain attributes and settings

Type of Conversion	Lost in conversion
All Local to Global conversions	<ul style="list-style-type: none"> <li>▪ Input/Outputs without associated data</li> <li>▪ Input from or output to a repository (regular data input/output created)</li> <li>▪ Input with "Constant" selected as input source (regular data input created)</li> </ul>
Local task to Global task, Global Service	<ul style="list-style-type: none"> <li>▪ Technical attributes</li> </ul>
Local task to Local process, Global process	<ul style="list-style-type: none"> <li>▪ Resource and Role Requirements</li> <li>▪ Resource wait time</li> <li>▪ Max time for waiting</li> <li>▪ Cost accrued</li> <li>▪ Technical attributes</li> </ul>
Local process to Local task, Global task, Global Service	<ul style="list-style-type: none"> <li>▪ Process contents</li> <li>▪ Technical attributes</li> </ul>
Local process to Global process	<ul style="list-style-type: none"> <li>▪ Technical attributes</li> </ul>

18

Process Modeling Overview and Enhancements

© 2006 IBM Corporation

The table shows the losses in converting tasks and processes from local to global.

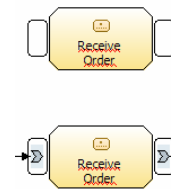
A fairly good amount of information will be part of global type, but the information that is specific to that new converted type will be lost in the conversion process.

For example, specific input/output data used for that task or process will be lost or technical information specific to that instance will be lost.

## Additional Enhancements



- **Cut and Paste Support for nodes**
  - ▶ Invoked using context menu or key combination 'Ctrl+x'
  - ▶ Cut element can be pasted to any level of any process within the same project
  - ▶ The pasted element will retain all the attributes of the original element
    - No connections and comment associations pasted
- **Keystroke Validation for node names**
  - ▶ Node names are checked with other node names when entered
  - ▶ Visual indicator of duplicate names



Cut and paste support for nodes is another new feature in WebSphere Business Modeler V6.0. The node is treated as an object with all its attributes and can be pasted within any of the processes in that particular project. This cut and paste support does not maintain established connections however. Another new feature is keystroke validation. For naming tasks or labels for connections in the process, character by character validation is done and will be checked for duplicate names. In previous versions of WebSphere Business Integration Modeler, a warning message was displayed for duplicate names, but in WebSphere Business Modeler V6.0 the conflicting tasks will be flagged as an error with the name underlined red.

## Agenda

- Modeling with the Process Editor Overview
- Swimlane Editor
- Process Editor Enhancements
- Summary

And, in summary,

## Summary

- Process modeling is one of the cornerstone for understanding the business and improving business performance
- Process editor with Free-Form and Swimlane views offer different options for modeling processes
- New enhancements improve usability and provide more efficient options

You can model business processes very effectively with the new version of WebSphere Business Modeler. There are two process editing modes, Free-Form and Swimlane. Each offers different options for modeling processes. There are several new enhancements, such as alignment options, keyboard diagram navigation, diagram visualization, connection label truncation, connecting elements, conversion type, and cut and paste support. These help to improve usability and provide more efficient modeling options.

## Trademarks, Copyrights, and Disclaimers

The following terms are trademarks or registered trademarks of International Business Machines Corporation in the United States, other countries, or both:

IBM	CICS	IMS	MQSeries	Tivoli
IBM (logo)	Cloudscape	Informix	OS/390	WebSphere
e(logo)/business	DB2	iSeries	OS/400	xSeries
AIX	DB2 Universal Database	Lotus	pSeries	zSeries

Java and all Java-based trademarks are trademarks of Sun Microsystems, Inc. in the United States, other countries, or both.

Microsoft, Windows, Windows NT, and the Windows logo are registered trademarks of Microsoft Corporation in the United States, other countries, or both.

Intel, ActionMedia, LANDesk, MMX, Pentium and ProShare are trademarks of Intel Corporation in the United States, other countries, or both.

UNIX is a registered trademark of The Open Group in the United States and other countries.

Linux is a registered trademark of Linus Torvalds.

Other company, product and service names may be trademarks or service marks of others.

Product data has been reviewed for accuracy as of the date of initial publication. Product data is subject to change without notice. This document could include technical inaccuracies or typographical errors. IBM may make improvements and/or changes in the product(s) and/or program(s) described herein at any time without notice. Any statements regarding IBM's future direction and intent are subject to change or withdrawal without notice, and represent goals and objectives only. References in this document to IBM products, programs, or services does not imply that IBM intends to make such products, programs or services available in all countries in which IBM operates or does business. Any reference to an IBM Program Product in this document is not intended to state or imply that only that program product may be used. Any functionally equivalent program, that does not infringe IBM's intellectual property rights, may be used instead.

Information is provided "AS IS" without warranty of any kind. THE INFORMATION PROVIDED IN THIS DOCUMENT IS DISTRIBUTED "AS IS" WITHOUT ANY WARRANTY, EITHER EXPRESS OR IMPLIED. IBM EXPRESSLY DISCLAIMS ANY WARRANTIES OF MERCHANTABILITY, FITNESS FOR A PARTICULAR PURPOSE OR NONINFRINGEMENT. IBM shall have no responsibility to update this information. IBM products are warranted, if at all, according to the terms and conditions of the agreements (e.g., IBM Customer Agreement, Statement of Limited Warranty, International Program License Agreement, etc.) under which they are provided. Information concerning non-IBM products was obtained from the suppliers of those products, their published announcements or other publicly available sources. IBM has not tested those products in connection with this publication and cannot confirm the accuracy of performance, compatibility or any other claims related to non-IBM products. IBM makes no representations or warranties, express or implied, regarding non-IBM products and services.

The provision of the information contained herein is not intended to, and does not, grant any right or license under any IBM patents or copyrights. Inquiries regarding patent or copyright licenses should be made, in writing, to:

IBM Director of Licensing  
IBM Corporation  
North Castle Drive  
Armonk, NY 10504-1785  
U.S.A.

Performance is based on measurements and projections using standard IBM benchmarks in a controlled environment. All customer examples described are presented as illustrations of how those customers have used IBM products and the results they may have achieved. The actual throughput or performance that any user will experience will vary depending upon considerations such as the amount of multiprogramming in the user's job stream, the I/O configuration, the storage configuration, and the workload processed. Therefore, no assurance can be given that an individual user will achieve throughput or performance improvements equivalent to the ratios stated here.

© Copyright International Business Machines Corporation 2005,2006. All rights reserved.

Note to U.S. Government Users - Documentation related to restricted rights-Use, duplication or disclosure is subject to restrictions set forth in GSA ADP Schedule Contract and IBM Corp.