

# WebSphere Telecom Toolkit V7.0

## Telecom application enablement tools

### *Samples setup and testing*



@business on demand.

© 2009 IBM Corporation  
Converted to video June 29, 2015

This presentation provides an overview and explains how to configure and test the samples provided by the telecom enablement feature of the IBM WebSphere® Telecom Toolkit V 7.0. To get a better understanding on the content of this presentation first review the overview presentation of this feature.

## Goals

- Provide an overview of the various Telecom Application Enablement samples
- Explain the configuration and testing process of the Telecom Application Enablement samples



The goals of this presentation are to provide an overview of the various IP Multimedia Subsystem (IMS) samples available in the Telecom Enablement feature of the toolkit and explain the setup and testing process of these samples.

The samples are client applications or templates to develop client applications using the tools available in the Telecom Enablement feature of the WebSphere Telecom Toolkit for various IMS services or enablers. These samples are a valuable reference for developing new IMS client applications and server side extensions or enablers and enable developers to quickly understand the API's.

## Agenda

- Diameter samples
- Presence Samples
- Session Initiation Protocol Samples
- XML Document Management Server Samples



The agenda of this presentation covers the steps to configure and test all of the telecom application enablement samples.

The samples provided are targeted to various IBM IP Multimedia Subsystem (IMS) enablers that include

- the IMS Connector based on diameter Web services
- the WebSphere Presence Server that provides rich real time presence information
- the WebSphere Session Initiation Protocol (SIP) converged container that provides the complete infrastructure for hosting SIP applications and
- the XML Document Management server (XDMS) which provides network accessible storage, retrieval, and management of XML documents owned by entities.

## Diameter Enabler samples

- Rf Test Client
  - ▶ Offline Charging Rf Web service Java™ client sample
- Sh Test Client – Subscriber Profile Client
  - ▶ Subscriber Profile Sh Web services Java client sample
- Ro Test Client – Online Charging Client
  - ▶ Online Charging Ro Web service Java client sample



The Diameter Enabler Samples set includes three Web service client samples. These samples can be used to test the design parameters for diameter client applications against the Rf offline charging, Sh subscriber profile, and Ro online charging Web services.

Each sample can be imported into a Rational® Application Developer workspace by clicking the import link provided for the sample. These samples initially flag errors when loaded in the workspace due to a missing `com.ibm.ws.webservices.thinclient` jar file on the classpath. To resolve these errors follow the Setup Instructions link in the samples page, which offers detailed instructions on importing this file.

## Diameter samples setup

- Diameter Rf, Ro, and Sh client samples setup steps:
  1. From the Samples page, load samples into workspace using 'Import..' link
  2. Right click the imported project -> Select Properties
  3. Select Java Build Path -> select Libraries tab -> click 'Add External Library' button
  4. Add com.ibm.ws.webservices.thinclient jar library from runtimes folder of WebSphere Application Server.
  5. Click 'OK' button to exit Properties dialog.
  6. Change the static endPoint string in the Java class
    - ▶ E.g:`http://9.22.95.20:9081/DHADiameterRfWebService/services/DiameterRfService`

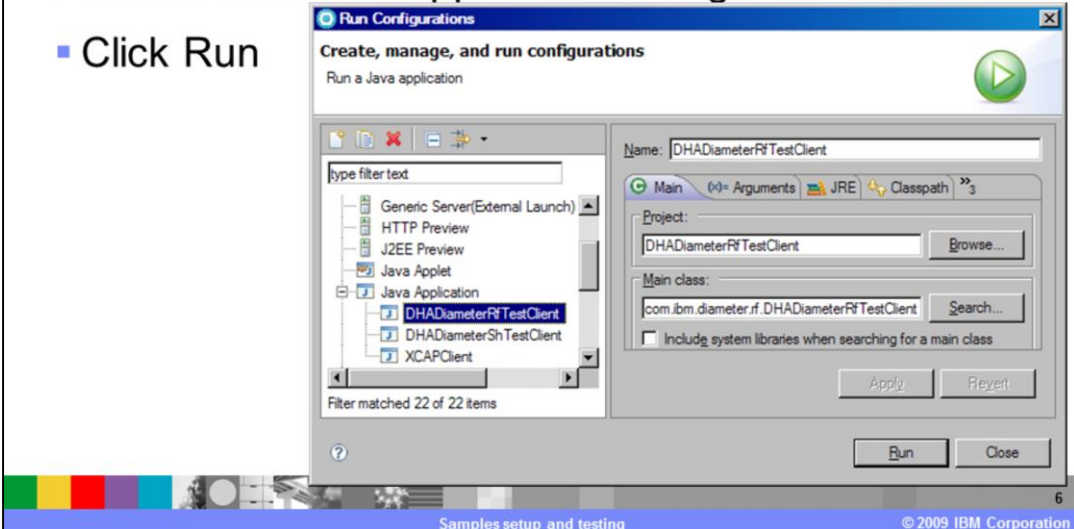


The setup process of the Diameter Ro, Rf and Sh Samples involves these steps:

1. Load the samples into the Rational Application Developer workspace using the Import links from the Diameter Samples page. The Diameter Samples page can be accessed from the Help->Samples->Technology Samples->Telecom Application Enablement Feature->Telecom Application Enablement Samples->Diameter page.
2. Review the prerequisite instructions by clicking on Setup Instructions link.
3. Import the sample.
4. Right click the imported project and select the Properties menu item.
5. In the properties dialog select Java Build Path properties page followed by selecting the Libraries tab in this page. Click the 'Add External Library' button.
6. In the Jar Selection dialog, locate the runtimes folder of the WebSphere Application Server in use and select the com.ibm.ws.webservices.thinclient.jar
7. Click OK on the Properties dialog.
8. Change the endpoint static variable to point to a valid Diameter Rf, Ro, or Sh Web services endpoint. For example `http://9.22.95.20:9081/DHADiameterRfWebService/services/DiameterRfService`

## Diameter sample - execution

- Right click Project -> Run As – Run Configuration
- Create new Java application configuration
- Click Run



To run the Diameter test samples follow these steps:

1. Right click the Sample Project and Select Run As -> Run Configuration.
2. Create a new Java Application Configuration as shown in the figure.
3. Click the Run button to run the sample.
4. The results are displayed in the Console view.

## Presence samples

- SIP external source sample
  - ▶ Demonstrates behavior of a SIP external source
  - ▶ SIPp script to PUBLISH, SUBSCRIBE and NOTIFY to external source
- Presence Representational State Transfer sample
  - ▶ Demonstrates RESTful HTTP interface to retrieve presence information
  - ▶ Based on REST interface in WebSphere Presence Server V7.0
- Presence SIP ample
  - ▶ Demonstrates SIP requests to and from Presence Server
  - ▶ Contains SIP code patterns for reuse



The Presence Samples category provides three samples that include:

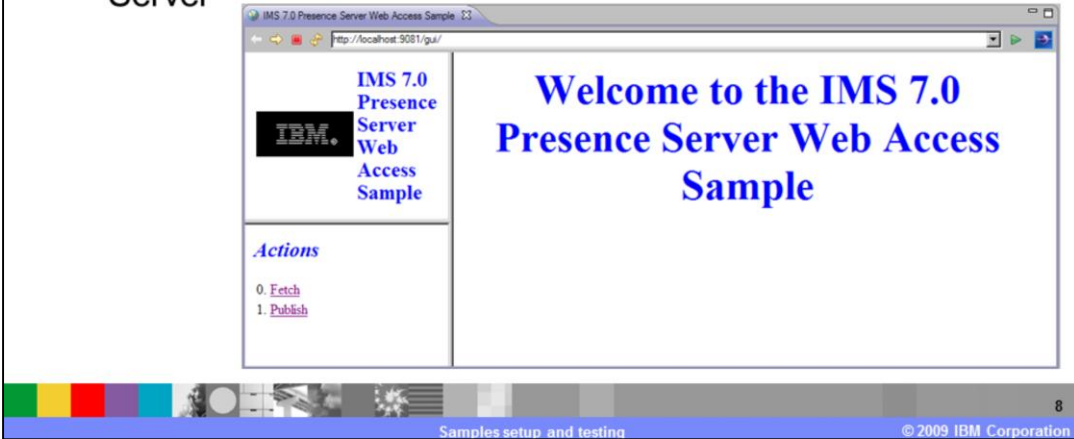
The Sip External Source sample which demonstrates the behavior of a SIP external source. The sample application consists of SIPp scripts which provide a PUBLISH, SUBSCRIBE notify scenario to an external SIP source. The script accepts incoming subscribe requests, and responds with 200 OK and a NOTIFY message with a simple presence document. The presence document includes the subscribed presentity identity. It also simulates state changes for the subscribed presentity by periodically sending NOTIFY messages with changes in the presence information and stops sending NOTIFY messages upon receiving an unsubscribe request from the Presence Server. The sample can be tested using the SIP Client test tool provided. The Sample provides a README file that describes how to setup this sample to test with the IBM Presence and SIP external source.

The Presence REST Sample which demonstrates how a RESTful HTTP interface can be used to retrieve rich presence information from a Presence Server. A REST interface permits Web clients to perform HTTP GET, PUT, POST, and DELETE requests. The sample is based on a new feature available in IBM WebSphere Presence Server V7.0 that provides a REST interface to retrieve presence information. Presence Server supports interoperability between SIP clients and clients using the REST interface, all connected to the same server. More details about this sample are explained in the next slide.

The SIP Sample which is a Java EE application that can be used to send and receive SIP requests to or from a Presence Server. It contains standard SIP code patterns the can be used in other application scenarios.

## Presence REST sample

- User interface of the Sample
  - ▶ Fetch: Retrieves Presence information from a Presence Server
  - ▶ Publish: Publishes Presence information to a Presence Server



The figure shows the user interface of the Presence REST Sample after deploying it on WebSphere Application Server V7.0.

The Fetch Action provides the functionality to presence subscriber to retrieve presence information, and the Publish Action provides the functionality for a presentity to publish their presence information.

To deploy this sample follow these steps:

- Import the sample into a workspace from the Presence Sample category by clicking the Import Presence REST link.
- Modify the restAddress value in the web.xml to a valid Presence Server
- Right click the presence.sample.rest.war project and select Run As -> Run On Server and select the WebSphere Application Server V7.0 from the list of servers and Click Finish.
- The sample gets deployed and the browser shows the sample's homepage as shown in the figure.

The Sample provides a README file that describes how to setup this sample to test with IBM Presence.



## Session Initiation Protocol samples

- IMS Session Control (ISC) Charging Samples
  - ▶ Rf offline Charging and Ro online charging samples
- Two versions of samples
  - ▶ WebSphere Application Server V6.1 and V7.0
- Demonstrates use of ISC, Diameter interfaces, P-Asserted-Identity and P-Charging Vector headers
  - ▶ Simulates SIP call flow with Ro and Rf charging functions in the SIP transaction
  - ▶ Appendix section includes SIP call flow slides



The SIP samples category provides the IMS Session Control (ISC) Charging sample in two versions, one version for WebSphere Application Server V6.1 and another version for WebSphere Application Server V7.0.

The ISC sample demonstrates the use of the ISC interface available in WebSphere Application Server and Diameter Web services interfaces available in IBM IMS Connector products. It is demonstrated by simulating a SIP call flow and applying the Diameter Ro online and Rf offline charging functions in the SIP transaction. The sample also demonstrates the processing of P-Asserted-Identity and P-Charging-Vector headers.

In an IMS environment, the P-Asserted-Identity is a header that is inserted into a SIP or HTTP request by a Call Session Control Function (CSCF) for authenticated subscribers. Refer to Request for Comment - IETF RFC 3325 for more details on the P-Asserted-Identity. The P-Charging-Vector header is a charging vector defined as a collection of charging information on a SIP network. It allows the SIP network elements to collect charging information for SIP-based communications, that flow across one or more networks. Network elements originating SIP traffic such as creating new and outbound telephone calls, can add P-Charging-Vector headers to their outbound SIP requests and responses. For more details on the P-Charging-Vector headers, refer to 3GPP RFC 3455.

The Appendix section of this presentation includes two slides that depict the SIP call flows between various network elements when the Rf and Ro ISC samples are run in a IMS network.

## XML Document Management Server (XDMS) samples

- XML Configuration Access Protocol Client sample
  - ▶ Java Application Client that exercises various XCAP GET, PUT functions against an XCAP server
- XDMS Template
  - ▶ Provides a template to enable the development of a new XDMS enablers.
- XDMS ID Mapping Provider sample
  - ▶ Java Application sample that implements a Public Identity Mapper Interface



The XML Document Management Server (XDMS) samples category provides a wide variety of samples that include both client and server side XML document management applications. The functionality of the samples include:

- The XCAP client sample that runs batched XCAP requests against an XDMS server and returns the results.
- The XDMS Template sample is an Enterprise application that contains a Web Application. The Web application provides a template servlet, stubbed out XML, schema files, and default property files to develop new XDMS-side enablers.
- The XDMS ID Mapping Provider sample is a Java application that contains a Java class file along with the dependent libraries. The Java class provides sample code for implementing the Public Identity Mapper interface.

## XDMS samples

- SharedList, PresRules, SharedGroup, SharedPolicy, SharedProfile, SharedEnablers  
XDMS samples
  - ▶ Represent XML Document Management (XDM) server side enablers
  - ▶ Each sample provides an XDM enabler stub based on OMA XDM 2.0 specifications to create complete enablers
  - ▶ Each sample is a Java EE enterprise application that contains a Web application
  - ▶ Web application contains corresponding stubbed servlet, default XML and schema files that support resource-lists and rls-services documents



The SharedList, PresRules, SharedGroup, SharedPolicy, SharedProfile, SharedEnablers XDMS samples represent server side XML Document Management (XDM) enablers for various group list management functions based on the Open Mobile Alliance XDM 2.0 specification. Each of these sample provides an XDM enabler stub for developing the corresponding XDM enabler. The XDM enabler stubs are shipped as Java EE enterprise applications that contain a Web application. The Web application contains the corresponding enabler stubbed servlet, default XML and schema files that support resource-lists and rls-services documents at a user or group level.

## XDMS client samples setup

- XCAP Client and SampleIDMappingProvider  
Samples setup steps:
  1. Plain Java applications
  2. Load sample into workspace using Import Sample link
  3. Right click the imported project -> Select Properties
  4. Select Java Build Path -> select Libraries tab -> click 'Add Library' button
  5. Select Telecom Application Enablement Toolkit Libraries -> click 'Next' -> check XDMS Client Libraries -> click 'Finish' button.
  6. Click 'OK' button to exit Properties dialog



The XCAP Client and XDMS ID Mapping Provider samples are Java application samples. The setup process involves these steps:

1. Load the samples into the Rational Application Developer workspace using the Import links from the XDMS Samples page.
2. Right click the imported project and select the Properties menu item.
3. In the properties dialog select Java Build Path properties, then select the Libraries tab in this page and click the 'Add Library' button.
4. Select Telecom Application Enablement Toolkit Libraries and click 'Next' button. Check the XDMS Client Libraries check box and click 'Finish' button.
5. Click the 'OK' button to exit the Properties dialog box.

## XDMS samples setup

- XDMS Template, SharedList, PresRules, SharedGroup, SharedPolicy, SharedProfile, SharedEnablers Samples setup steps:
  1. Select imported project -> Right click and select Import
  2. Select Telecom Application Enablement -> Telecom Application Enablement Resources -> click 'Next'
  3. Checkbox under XDMS Resources Libraries
  4. Click 'Finish' button



The setup process of the XDMS Template, SharedList, PresRules, SharedGroup, SharedPolicy, SharedProfile, SharedEnablers samples involves these steps:

1. Load the samples into the Rational Application Developer workspace using the Import links from the XDMS Samples page.
2. Select the imported project, then click File -> Import.
3. Under Telecom Application Enablement, select Telecom Application Enablement Resources and click the 'Next' Button.
4. Check the Libraries check box under XDMS Resources and click the 'Finish' button.

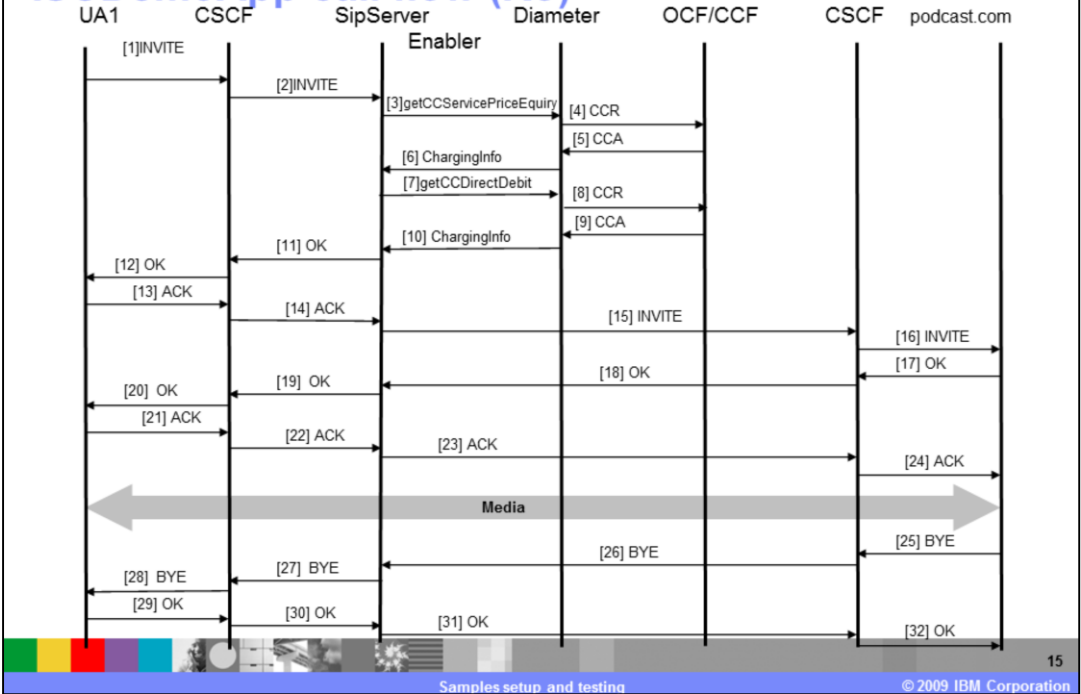
## Section

# *Appendix*



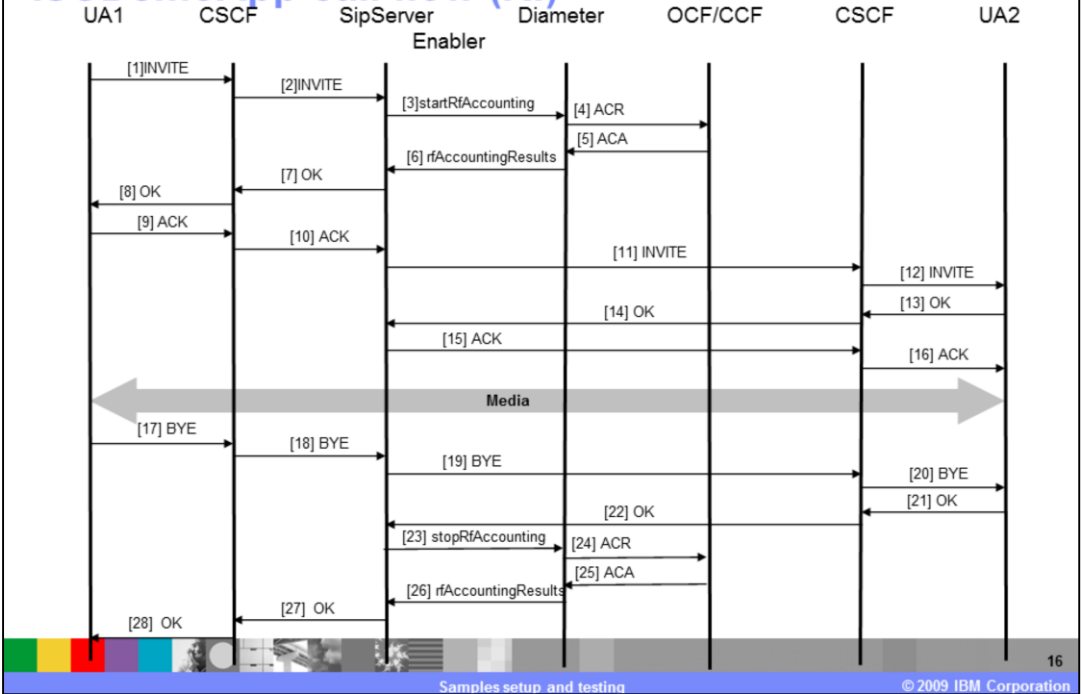
This is the Appendix section.

# ISCDemoApp call flow (Ro)



This figure depicts an IMS Session Control Demonstration Application online charging Ro service call flow.

# ISCDemoApp call flow (Rf)



Samples setup and testing

© 2009 IBM Corporation

This figure depicts an IMS Session Control Demonstration Application online charging Rf service call flow.



# Trademarks, copyrights, and disclaimers

IBM, the IBM logo, ibm.com, and the following terms are trademarks or registered trademarks of International Business Machines Corporation in the United States, other countries, or both:

Rational      WebSphere

If these and other IBM trademarked terms are marked on their first occurrence in this information with a trademark symbol (® or ™), these symbols indicate U.S. registered or common law trademarks owned by IBM at the time this information was published. Such trademarks may also be registered or common law trademarks in other countries. A current list of other IBM trademarks is available on the Web at "Copyright and trademark information" at <http://www.ibm.com/legal/copytrade.shtml>

Rational is a trademark of International Business Machines Corporation and Rational Software Corporation in the United States, Other Countries, or both.

Java, and all Java-based trademarks and logos are trademarks of Sun Microsystems, Inc. in the United States, other countries, or both.

Other company, product, or service names may be trademarks or service marks of others.

Product data has been reviewed for accuracy as of the date of initial publication. Product data is subject to change without notice. This document could include technical inaccuracies or typographical errors. IBM may make improvements or changes in the products or programs described herein at any time without notice. Any statements regarding IBM's future direction and intent are subject to change or withdrawal without notice, and represent goals and objectives only. References in this document to IBM products, programs, or services does not imply that IBM intends to make such products, programs or services available in all countries in which IBM operates or does business. Any reference to an IBM Program Product in this document is not intended to state or imply that only that program product may be used. Any functionally equivalent program, that does not infringe IBM's intellectual property rights, may be used instead.

THE INFORMATION PROVIDED IN THIS DOCUMENT IS DISTRIBUTED "AS IS" WITHOUT ANY WARRANTY, EITHER EXPRESS OR IMPLIED. IBM EXPRESSLY DISCLAIMS ANY WARRANTIES OF MERCHANTABILITY, FITNESS FOR A PARTICULAR PURPOSE OR NONINFRINGEMENT. IBM shall have no responsibility to update this information. IBM products are warranted, if at all, according to the terms and conditions of the agreements (for example, IBM Customer Agreement, Statement of Limited Warranty, International Program License Agreement, etc.) under which they are provided. Information concerning non-IBM products was obtained from the suppliers of those products, their published announcements or other publicly available sources. IBM has not tested those products in connection with this publication and cannot confirm the accuracy of performance, compatibility or any other claims related to non-IBM products.

IBM makes no representations or warranties, express or implied, regarding non-IBM products and services.

The provision of the information contained herein is not intended to, and does not, grant any right or license under any IBM patents or copyrights. Inquiries regarding patent or copyright licenses should be made, in writing, to:

IBM Director of Licensing  
IBM Corporation  
North Castle Drive  
Armonk, NY 10504-1785  
U.S.A.

Performance is based on measurements and projections using standard IBM benchmarks in a controlled environment. All customer examples described are presented as illustrations of how those customers have used IBM products and the results they may have achieved. The actual throughput or performance that any user will experience will vary depending upon considerations such as the amount of multiprogramming in the user's job stream, the I/O configuration, the storage configuration, and the workload processed. Therefore, no assurance can be given that an individual user will achieve throughput or performance improvements equivalent to the ratios stated here.

© Copyright International Business Machines Corporation 2009. All rights reserved.

Note to U.S. Government Users - Documentation related to restricted rights-Use, duplication or disclosure is subject to restrictions set forth in GSA ADP Schedule Contract and IBM Corp.

