

WebSphere Message Broker



# Configuration, Administration, and Security

*Version 6 Release 1*



WebSphere Message Broker



# Configuration, Administration, and Security

*Version 6 Release 1*

**Note**

Before you use this information and the product that it supports, read the information in the Notices appendix.

This edition applies to version 6, release 1, modification 0, fix pack 3 of IBM WebSphere Message Broker and to all subsequent releases and modifications until otherwise indicated in new editions.

© **Copyright International Business Machines Corporation 2000, 2008.**

US Government Users Restricted Rights – Use, duplication or disclosure restricted by GSA ADP Schedule Contract with IBM Corp.

---

# Contents

**About this topic collection. . . . . v**

---

**Part 1. Security . . . . . 1**

**Security. . . . . 3**

Security overview . . . . . 3  
Planning for security when you install WebSphere  
Message Broker . . . . . 27  
Setting up message flow security . . . . . 28  
Setting up broker domain security. . . . . 45  
Setting up z/OS security . . . . . 71  
Publish/subscribe security . . . . . 75  
Securing the publish/subscribe domain . . . . . 84

---

**Part 2. Configuring the broker domain . . . . . 93**

**Configuring WebSphere Message Broker . . . . . 95**

Planning a broker domain . . . . . 95  
Configuring broker and user databases. . . . . 107  
Customizing the z/OS environment. . . . . 148  
Configuring broker domain components . . . . . 173  
Configuring a broker domain in the workbench 245  
Configuring a publish/subscribe topology. . . . . 258  
Configuring global coordination of transactions  
(two-phase commit) . . . . . 277  
Configuring the workbench . . . . . 301  
Changing locales . . . . . 305

---

**Part 3. Administering the broker domain . . . . . 313**

**Administering the broker domain. . . 315**

Connecting to and disconnecting from the broker  
domain . . . . . 315  
Connecting to and disconnecting from the broker  
domain on z/OS . . . . . 316  
Starting and stopping message flows . . . . . 318  
Starting and stopping a broker . . . . . 319  
Starting and stopping a Configuration Manager 321  
Starting and stopping the User Name Server . . . 323

Starting a WebSphere MQ queue manager as a  
Windows service . . . . . 325  
Stopping a WebSphere MQ queue manager when  
you stop a component . . . . . 326  
Viewing broker domain log information . . . . . 326  
Refreshing broker domain log information. . . . . 327  
Filtering broker domain log information . . . . . 327  
Saving broker domain log information . . . . . 329  
Clearing broker domain log information . . . . . 329  
Changing the location of the work path . . . . . 330  
Changing Event Log editor preferences. . . . . 331  
Backing up resources. . . . . 332

---

**Part 4. Reference . . . . . 337**

**Databases. . . . . 339**

odbc32.ini sample file . . . . . 339  
odbc64.ini sample file . . . . . 347

**Operations . . . . . 363**

Broker properties . . . . . 363  
Restrictions that apply in each operation mode . . . 364  
Commands . . . . . 365  
z/OS specific information . . . . . 629

**Security requirements for administrative tasks . . . . . 683**

ACL permissions . . . . . 683  
Security requirements for Linux and UNIX  
platforms. . . . . 684  
Security requirements for Windows platforms . . . 685  
Security requirements for z/OS . . . . . 689

---

**Part 5. Appendixes . . . . . 691**

**Appendix. Notices for WebSphere Message Broker . . . . . 693**

Trademarks in the WebSphere Message Broker  
information center. . . . . 695

**Index . . . . . 697**



---

## About this topic collection

This PDF has been created from the WebSphere Message Broker Version 6.1 (November 2008) information center topics. Always refer to the WebSphere Message Broker online information center to access the most current information. The information center is periodically updated on the document update site and this PDF and others that you can download from that Web site might not contain the most current information.

The topic content included in the PDF does not include the "Related Links" sections provided in the online topics. Links within the topic content itself are included, but are active only if they link to another topic in the same PDF collection. Links to topics outside this topic collection are also shown, but these attempt to link to a PDF that is called after the topic identifier (for example, ac12340\_.pdf) and therefore fail. Use the online information to navigate freely between topics.

**Feedback:** do not provide feedback on this PDF. Refer to the online information to ensure that you have access to the most current information, and use the Feedback link that appears at the end of each topic to report any errors or suggestions for improvement. Using the Feedback link provides precise information about the location of your comment.

The content of these topics is created for viewing online; you might find that the formatting and presentation of some figures, tables, examples, and so on are not optimized for the printed page. Text highlighting might also have a different appearance.





---

## Part 1. Security

<b>Security</b> . . . . .	3	Using message protection. . . . .	90
Security overview . . . . .	3	Securing WebSphere MQ resources . . . . .	91
Message flow security . . . . .	4		
Authorization for configuration tasks. . . . .	17		
Security for development resources . . . . .	18		
Security for runtime resources: Access control lists . . . . .	18		
Security exits . . . . .	20		
Public key cryptography . . . . .	20		
Digital certificates . . . . .	22		
Digital signatures . . . . .	24		
SSL authentication . . . . .	25		
Tunneling . . . . .	26		
Quality of protection . . . . .	26		
Domain awareness for Message Broker Toolkit users on Windows . . . . .	27		
Planning for security when you install WebSphere Message Broker . . . . .	27		
Setting up message flow security . . . . .	28		
Creating a security profile . . . . .	28		
Configuring identity extraction . . . . .	34		
Configuring authentication . . . . .	35		
Configuring identity mapping . . . . .	38		
Configuring authorization . . . . .	39		
Configuring for identity propagation . . . . .	44		
Diagnosing security problems . . . . .	45		
Setting up broker domain security. . . . .	45		
Creating user IDs . . . . .	46		
Considering security for the workbench . . . . .	47		
Considering security for a broker . . . . .	49		
Considering security for a Configuration Manager . . . . .	51		
Configuring security for domain components . . . . .	54		
Changing the security domain for the User Name Server . . . . .	56		
Implementing SSL authentication . . . . .	57		
Enabling topic-based security . . . . .	66		
Using security exits. . . . .	69		
Implementing HTTP tunneling . . . . .	69		
Implementing quality of protection . . . . .	70		
Database security . . . . .	70		
Setting up z/OS security . . . . .	71		
Setting up DB2 security on z/OS . . . . .	72		
Setting up WebSphere MQ . . . . .	74		
Setting up workbench access on z/OS . . . . .	74		
Creating Publish/Subscribe user IDs . . . . .	74		
Enabling the Configuration Manager on z/OS to obtain user ID information . . . . .	75		
Publish/subscribe security . . . . .	75		
Topic-based security . . . . .	76		
Authentication services . . . . .	81		
Message protection . . . . .	83		
Securing the publish/subscribe domain . . . . .	84		
Enabling topic-based security . . . . .	84		
Creating ACL entries . . . . .	87		
Enabling SSL for the Real-time nodes. . . . .	87		



---

## Security

Security is an important consideration for both developers of WebSphere® Message Broker applications, and for system administrators configuring WebSphere Message Broker authorities.

The topics in this section help you to deal with security in WebSphere Message Broker:

- “Security overview”
- “Planning for security when you install WebSphere Message Broker” on page 27
- “Setting up broker domain security” on page 45
- “Setting up z/OS security” on page 71
- “Publish/subscribe security” on page 75
- “Securing the publish/subscribe domain” on page 84

---

### Security overview

When you are designing a WebSphere Message Broker application it is important to consider the security measures that are needed to protect the information in the system.

An important aspect of securing an enterprise system is the ability to protect the information passed from third parties. This includes restricting access to WebSphere MQ and JMS queues. For information about the steps involved, refer to the documentation supplied by your transport provider. If you are using HTTPS, there are properties that you need to set in the HTTP nodes. For information on this, see HTTPInput node, HTTPRequest node, and HTTPReply node.

There is some security configuration required to enable WebSphere Message Broker to work correctly and to protect the information in the system. For example, you can secure the messaging transport with SSL connections, restrict access to queues, apply WS-Security to Web services, and secure access to message flows.

In addition, system administrators need WebSphere Message Broker authorities that allow them to perform customization and configuration tasks, run utilities, perform problem determination, and collect diagnostic materials.

Security is split into several areas:

- “Message flow security” on page 4
- WS-Security
- “Authorization for configuration tasks” on page 17
- “Security for development resources” on page 18
- “Security for runtime resources: Access control lists” on page 18
- “Security exits” on page 20
- “SSL authentication” on page 25 (for the Real Time node only)
- “Tunneling” on page 26
- “Quality of protection” on page 26
- “Domain awareness for Message Broker Toolkit users on Windows” on page 27.

## Message flow security

WebSphere Message Broker provides a security manager, which enables you to control access to individual messages in a message flow, using the identity of the message.

You can configure the broker to perform end-to-end processing of an identity carried in a message through a message flow. This enables you to configure security for a message flow, allowing you to control access based on the identity flowed in a message and providing a security mechanism that is independent of both transport type and message format.

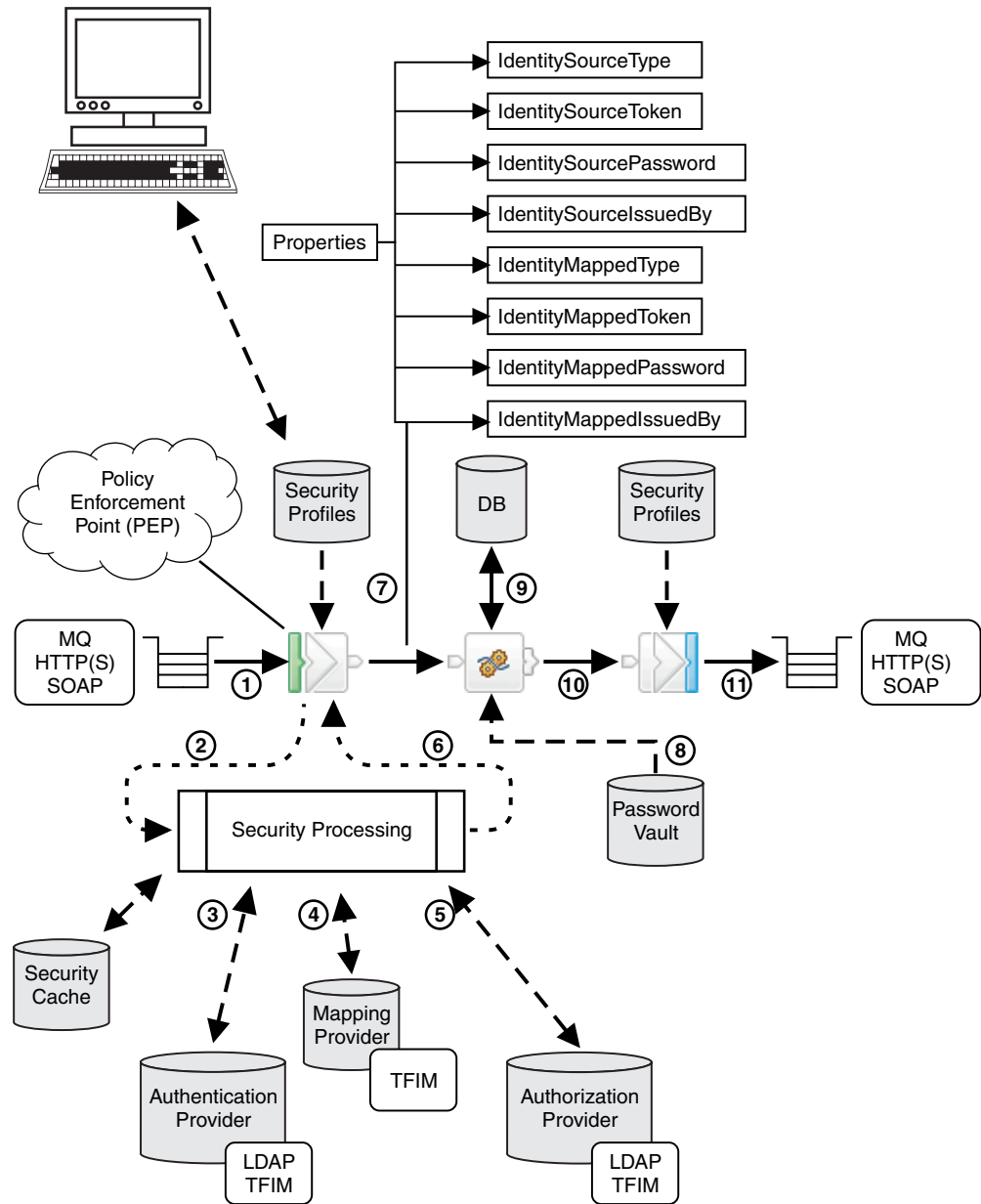
If you do not enable message flow security the default security facilities in WebSphere Message Broker are based on the facilities provided by the transport mechanism. In this case the broker processes all messages that are delivered to it, using the broker service identity as a proxy identity for all message instances. Any identity present in the incoming message is ignored.

Instead of delegating this authority to the transport mechanism, the security manager enables the broker to:

- Extract the identity from an inbound message
- Authenticate it (using an external security provider)
- Map the identity to an alternative identity (using an external security provider)
- Check that either the alternative identity or the original identity is authorized to access the message flow (using an external security provider)
- Propagate either the alternative identity or the original identity with an outbound message.

The security functions associated with a message flow are controlled using “Security profiles” on page 7, which are created by the broker administrator and accessed by the security manager at runtime. Two external security providers are supported: Lightweight Directory Access Protocol (LDAP) for authentication and authorization, and Tivoli® Federated Identity Manager (TFIM) for authentication, mapping, and authorization.

The input nodes that support runtime security are MQInput, HTTPInput, and SOAPInput. The output nodes that support identity propagation are MQOutput, HTTPRequest, SOAPRequest and SOAPAsyncRequest. If the message flow is a Web Service implemented using the broker SOAP nodes, the identity can be taken from the WS-Security header tokens defined through appropriate Policy sets and bindings.



The following steps explain the sequence of events that occur when a message arrives at a message flow, and the numbers correspond to those in the preceding diagram:

1. When a message arrives at an input node, a security profile associated with the node indicates whether runtime security is configured. The broker's security manager is called to read the profile, which specifies the combination of propagation, authentication, authorization and mapping to be performed with the identity of the message. It also specifies the external security provider to be used.

You can create security profiles using either the `mqsicreateconfigurable-service` command or an editor in the Broker Administration perspective of the Message Broker Toolkit. You then use the Broker Archive editor to configure the security profile on the message flow.

For a SOAPInput node to use the Identity in the WS-Security header (rather than an underlying transport identity), an appropriate policy set and bindings must also be defined and specified. For more information, see Policy sets.

2. If a security profile is present, the security manager extracts the identity information from the input message and sets it in a group of new elements in the Properties folder. This source identity information could be in a message header or in the message body itself, or a mixture of the two.
3. If authentication is specified in the security profile, the security manager calls the provider to authenticate the identity. A failure results in a SecurityException being thrown. The security providers supported by Message Broker for authentication are LDAP and TFIM.
4. If identity mapping is specified in the security profile, the security manager calls the provider to map the identity to an alternative identity. A failure results in a SecurityException being thrown. Otherwise, the mapped identity information is set in a group of new elements in the Properties folder. The provider supported by Message Broker for identity mapping is TFIM.
5. If authorization is specified in the security profile, the security manager calls the provider to authorize that the identity has access to this message flow. A failure results in a SecurityException being thrown. Message Broker supports LDAP and TFIM for authorization.
6. When all security processing is complete, control returns to the input node.
7. The message, including the Properties folder and its source and mapped identity information, is propagated down the message flow.
8. At subsequent nodes in the message flow an identity might need to be used to access a resource such as a database. The identity used to access such a resource is a proxy identity, either the broker's identity or an identity configured using the mqsisetdbparms command.
9. The resource is accessed using the appropriate proxy identity.  
When you are developing a message flow you can use the identity fields in the Properties folder for your application processing (for example, identity-based routing or content building based on identity). Also, as an alternative to invoking mapping through TFIM, you can set the mapped identity fields in a user-defined node.
10. When the message reaches an output node, a security profile associated with the node indicates whether an identity is to be propagated when the message is sent.  
If the security profile indicates that propagation is required, the mapped identity is used. If the mapped identity is not set, the source identity is used. If no identity is set a SecurityException is thrown.
11. The propagated identity is included in the appropriate message header when it is sent.

To improve performance, the authentication, authorization, and mapping information from the configured providers is cached for reuse. You can use the mqsireloadsecurity command to reload the cache and the mqsichangeproperties command to set the expiry and sweep intervals for the cache.

For a SOAPRequest or SOAPAsyncRequest node, an appropriate policy set and bindings can be defined to specify how the token is placed in the WS-Security header (rather than the underlying transport headers). For more information, see Policy sets.

The following topics in this section provide more detailed information about message flow security:

- “Identity” on page 8
- “Authentication” on page 10
- “Identity mapping” on page 12
- “Authorization” on page 11
- “Identity propagation” on page 16
- “Security profiles”
- “Security exception processing” on page 16
- “Setting up message flow security” on page 28

## Security profiles

A security profile defines the security operations to be performed by input and output nodes.

Security profiles are created by the broker administrator prior to deploying a message flow, and are accessed by the security manager at runtime.

A security profile allows a broker administrator to specify whether or not identity propagation, authentication, authorization, and mapping are to be performed on the identity of messages in the message flow, and if so, which external security provider will be used. Lightweight Directory Access Protocol (LDAP) is supported for authentication and authorization, and IBM® Tivoli Federated Identity Manager (TFIM) is supported for authentication, authorization, and mapping.

Security properties apply to input, output, and request nodes, and are configured by the administrator at deployment time in the Broker Archive editor. Input, output, and request nodes have a Security Profile property (in the Broker Archive editor), which can be set to a specific profile name, left blank so that they inherit the Security Profile property set at the message flow level, or set to *<No Security>* to explicitly turn off security for the node. For input nodes, the Security Profile property determines whether or not runtime security is configured. If the property does not resolve to a real security profile, identity tokens are not extracted to the identity fields in the properties folder.

The security profile also specifies whether or not propagation is required. A pre-configured profile specifying propagation is provided for use by output and request nodes. This is the Default Propagation security profile.

Security profiles contain values for the following properties:

### **authentication**

Defines the type of authentication that is performed on the source identity. This property applies only to input nodes. For more information, see “Authentication” on page 10.

### **authenticationConfig**

Defines the information that the broker needs to connect to the provider, and the information needed to look up the identity tokens. It is a provider-specific configuration string. This property applies only to input nodes.

### **mapping**

Defines the type of mapping that is performed on the source identity. This property applies only to input nodes. For more information, see “Identity mapping” on page 12.

**mappingConfig**

Defines how the broker connects to the provider, and contains additional information required to look up the mapping routine. It is a provider-specific configuration string. This property applies only to input nodes.

**authorization**

Defines the types of authorization checks that are performed on the mapped or source identity. This property applies only to input nodes. For more information, see “Authorization” on page 11.

**authorizationConfig**

Defines how the broker connects to the provider, and contains additional information that can be used to check access (for example, a group that can be checked for membership). It is a provider-specific configuration string. This property applies only to input nodes.

**passwordValue**

Defines how passwords are treated when they enter a message flow. If PLAIN is selected, the password appears in the Properties folder in plain text. If OBFUSCATE is selected, the password appears in the Properties folder in base64 encoding. If MASK is selected, the password appears in the Properties folder as four asterisks (\*\*\*\*). This property applies only to input nodes.

**Propagation**

Enables or disables identity propagation on output and request nodes. For more information, see “Identity propagation” on page 16.

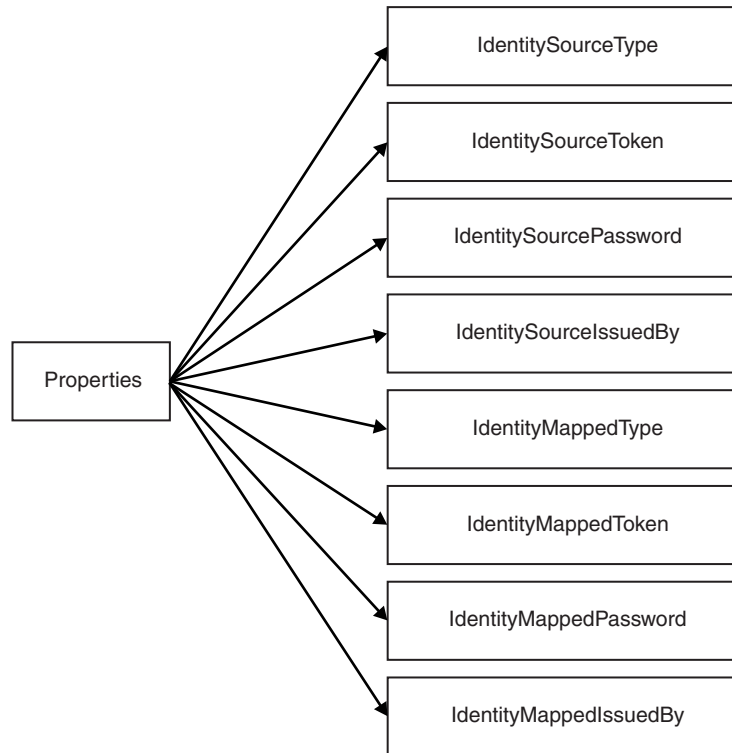
For information on configuring a security profile for LDAP or TFIM, see “Creating a security profile” on page 28.

**Identity**

An identity is a piece of information that can uniquely identify an individual or object.

When a supported input node is configured with a security profile, the extracted identity is held in the broker as eight properties in the properties folder of the message tree structure. These properties define two identities in the broker: source and mapped. For both the source and mapped identities, values are held for Type, Token, Password, and IssuedBy properties:





The Type property defines the format of the Token, and valid values are *Username*, *Username and Password* and *X.509 Certificate*. The Type property can also have a value of *Transport Default*, which causes the transport's default to be used. For WebSphere MQ the default is *Username* and for HTTP the default is *Username and Password*.

The Token property holds the security token and, in the case of a *Username and Password* token, the Password field contains the attached password. The IssuedBy field defines where the Token was created. For example, for an *X.509 Certificate* this could be "IBM" (the Common Name of the Certifying Authority). For *Username* and *Username and Password* formats, it is transport specific unless the IssuedBy property is set on the node. For more information, see "Configuring identity extraction" on page 34.

The following table shows the support that is provided (by the broker security manager and external security providers) for the different security token types:

Table 1. Support for security token types

Token type (format)	Broker security manager support	External security provider support
Username	Token obtained from one of the following transport headers: <ul style="list-style-type: none"> <li>• MQ</li> <li>• HTTP</li> <li>• SOAP</li> </ul> or from an MQ or HTTP message body.	LDAP: Authorization

Table 1. Support for security token types (continued)

Token type (format)	Broker security manager support	External security provider support
Username and password	Token obtained from one of the following transport headers: <ul style="list-style-type: none"> <li>• HTTP</li> <li>• SOAP</li> </ul> or from an MQ or HTTP message body.	LDAP: <ul style="list-style-type: none"> <li>• Authentication</li> <li>• Authorization</li> </ul> TFIM: <ul style="list-style-type: none"> <li>• Authentication</li> <li>• Mapping</li> <li>• Authorization.</li> </ul>
X.509 Certificate	Token obtained from a SOAP transport header or from an MQ or HTTP message body.	TFIM: <ul style="list-style-type: none"> <li>• Authentication</li> <li>• Mapping</li> <li>• Authorization.</li> </ul>

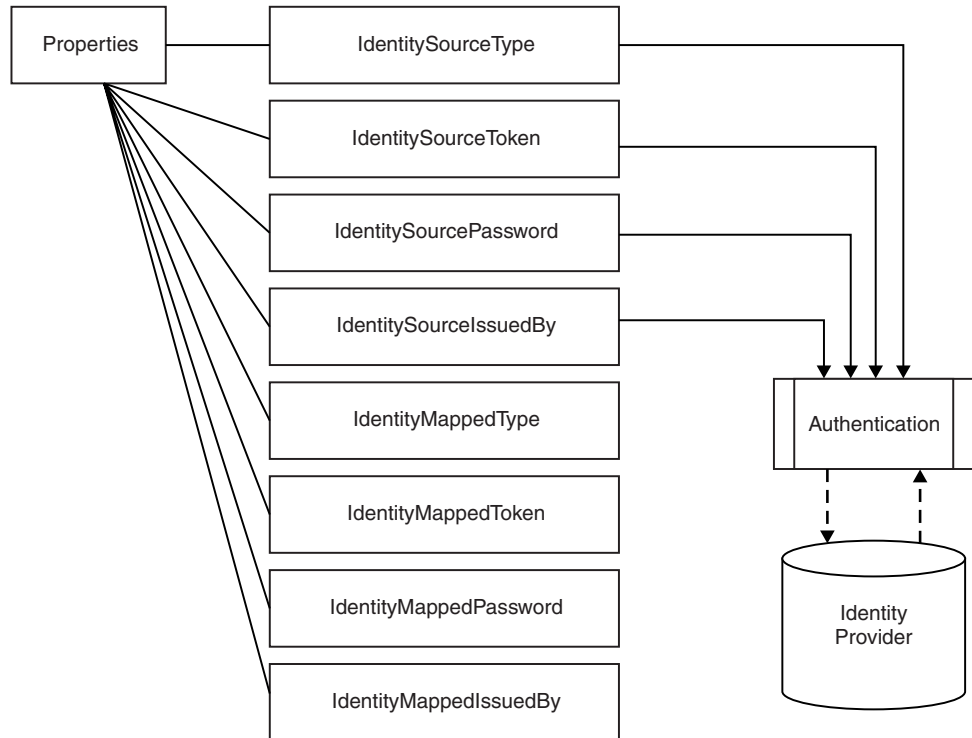
The source identity is set by the input node only if a security profile is associated with the node. The information to fill in these fields is typically found in the headers of a message but can also be located in the body (as long as the node has been configured with an ESQL Path or XPath reference for the various properties). If multiple identities are available (for example, if you are using message aggregation), the first identity is used. The token extraction is transport specific and can be performed only using transports that support the flow of identities. These are: Websphere MQ, HTTP(S), and SOAP. See MQInput node and HTTPInput node for more information.

You can modify the values in the properties (for example, from ESQL), but do not write to the IdentitySource\* values. For example, you can create a custom identity mapping routine in ESQL or Java™ by using the IdentitySource\* values to create custom IdentityMapped\* values.

## Authentication

Authentication is the process of establishing the identity of a user or system and verifying that the identity is valid.

In Message Broker, authentication is the process of passing the identity source type and token to an external authenticator. For more information about source type and token, see “Identity” on page 8.



The two external security providers supported for authentication are Lightweight Directory Access Protocol (LDAP) and Tivoli Federated Identity Manager (TFIM). The external security provider checks the identities and returns a value to confirm whether or not the identity is authentic. If the identity is not authentic a security exception is raised.

Some identity providers support only a single type of authentication token. If a token of another type is passed into the message flow, an exception is raised. For example, LDAP supports only a Username + Password token.

If you want to use LDAP to authenticate an incoming identity token, the identity must be a member of the relevant group configured in the security profile. The LDAP server must be LDAP Version 3 compliant.

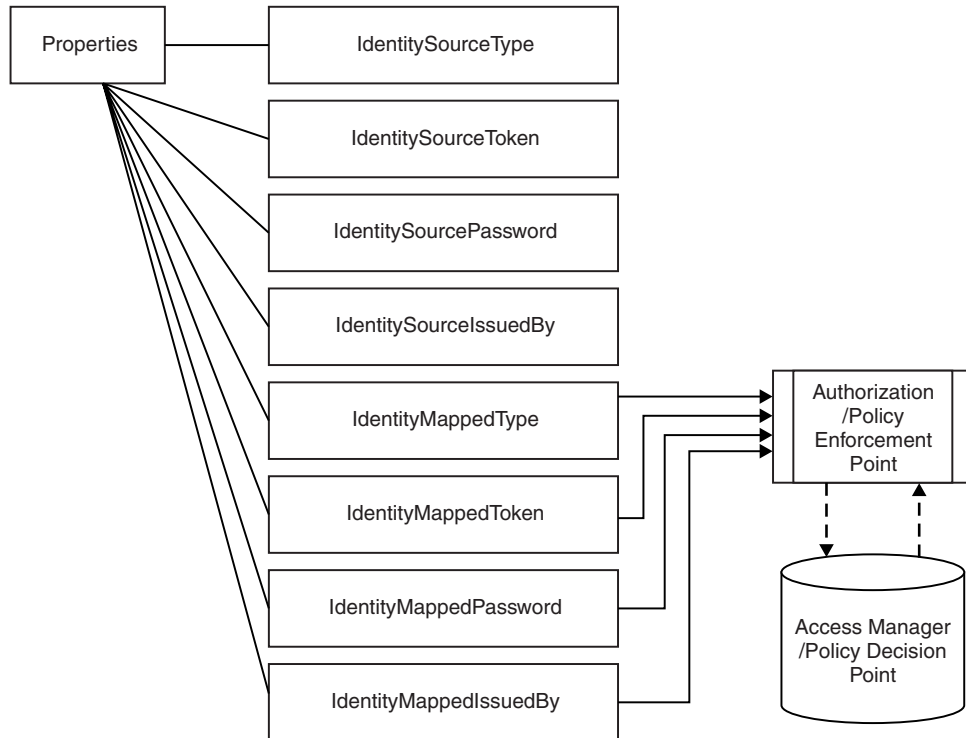
You can also select TFIM for authentication in the profile, but the TFIM module chain is invoked only once and the single module chain must be configured to perform all the required authentication, mapping, and authorization operations.

For more information about using TFIM for authentication, see “Authentication, Mapping, and Authorization with TFIM and TAM” on page 14.

## Authorization

Authorization is the process of verifying that an identity has permission to start a message flow.

If authentication and mapping are configured, they are applied to the identity to verify it before authorization of the identity is performed.



If a mapped identity exists, authorization is applied to the mapped identity. If a mapped identity does not exist, the source identity is used.

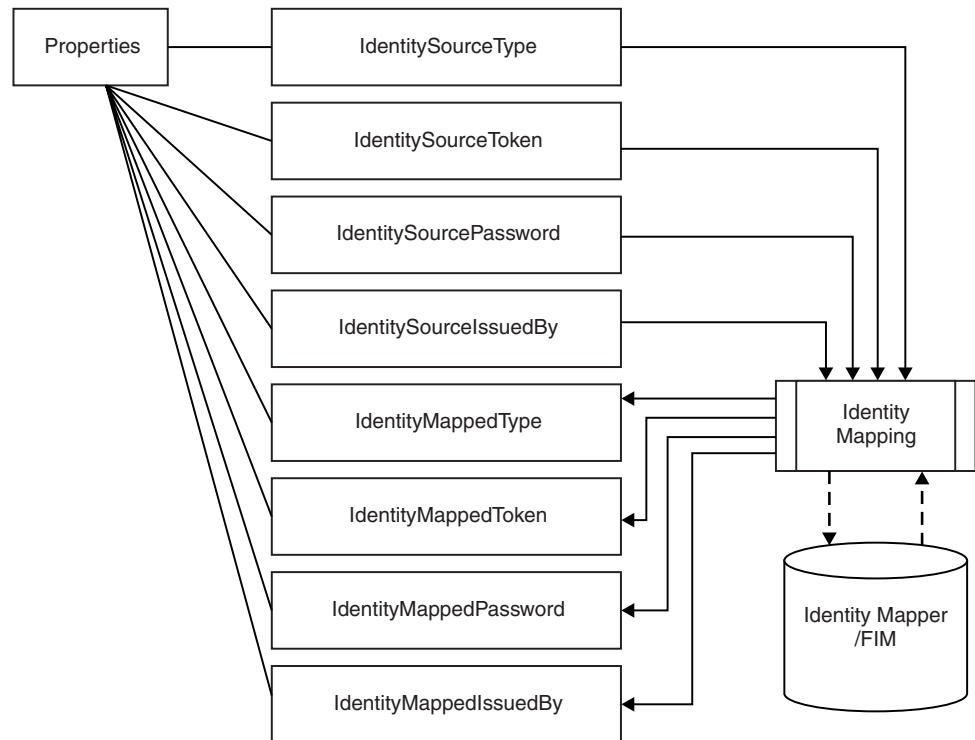
If you want to use LDAP for authorization, the identity must be a member of the relevant group configured in the security profile. The LDAP server must be LDAP Version 3 compliant.

Alternatively, you can select TFIM for authorization in the profile. However, the TFIM module chain is invoked only once and the single module chain must be configured to perform all the required authentication, mapping, and authorization operations.

For more information about using TFIM for authorization, see “Authentication, Mapping, and Authorization with TFIM and TAM” on page 14.

### Identity mapping

Identity mapping is the transformation of an identity in one format to an identity in another format, or the transformation of an identity in one realm to an identity in another realm.



## TFIM mapping

The mapper supported by WebSphere Message Broker is IBM Tivoli Federated Identity Manager (TFIM). Mapping is performed only for input nodes with an associated security profile that specifies that TFIM is to be used for mapping. TFIM can also be selected for authentication and authorization in the profile, but the TFIM module chain is invoked only once and must be configured to perform all the required operations. Mapping is not performed in output nodes, even if the node has been configured with a security profile.

In the broker, identity mapping is performed at the input node, after authentication but before authorization. The source identity is passed to an identity mapper (also known as a Federated Identity Manager) for processing.

Message Broker supports the mapping from a Username token to a Username token, and the mapping from an X.509 certificate to a Username token. There is no support for mapping to an X.509 token. When mapping from an X.509 certificate, TFIM can validate the certificate but cannot be used to verify the identity of the original sender. However, if it is required, this verification integrity check can be performed by the SOAPInput node. For more information, see WS-Security mechanisms.

For more information about using TFIM for mapping, see “Authentication, Mapping, and Authorization with TFIM and TAM” on page 14.

## User-defined mapping

When you develop a message flow you can implement a custom token mapping to be used for identity propagation. For example, you can implement a custom token mapping using a JavaCompute node, following the input node. In the

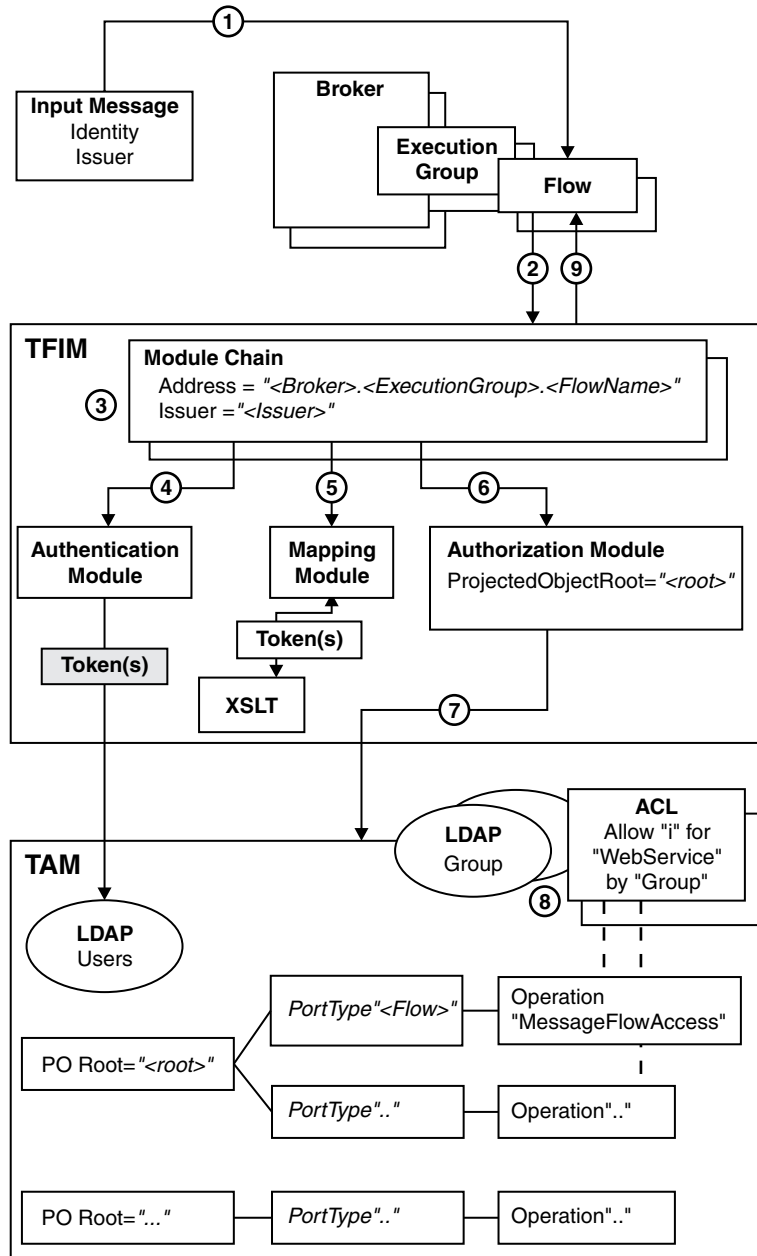
JavaCompute node you read the source identity values from the Properties folder, process them, and then write the new identity values into the mapped identity fields. The mapped identity fields are then used in preference to the source identity fields by subsequent nodes. However, in this case, any authorization configured on the input node will already have been performed using the source identity.

### **Authentication, Mapping, and Authorization with TFIM and TAM**

This topic outlines the process of authentication, mapping, and authorization using WebSphere Message Broker, Tivoli Federated Identity Manager (TFIM), and Tivoli Access Manager (TAM).

Message Broker makes a single TFIM WS-Trust call for an input node configured with a TFIM security profile. This means that the single module chain must be configured to perform all the required authentication, mapping, and authorization operations.

The following diagram shows the configuration of Message Broker, TFIM, and TAM to enable authentication, mapping, and authorization of an identity in a message flow:



The numbers in the diagram above correspond to the following sequence of events:

1. A message enters a message flow.
2. A WS-Trust request is issued by the broker, with these properties:
  - RequestType = Validate
  - Identity = Token(s) from input message
  - Issuer = Issuer from input message
  - AppliesTo Address = "<Broker>.<ExecutionGroup>.<FlowName>"
  - PortType = "<FlowName>"
  - Operation = "MessageFlowAccess"
3. TFIM selects a module chain to process the WS-Trust request, based on the AppliesTo Address and Issuer properties of the request.

4. A module chain can perform Authentication if it includes a module (such as a UsernameTokenSTSMModule or X509STSMModule ) in *validate* mode.
5. A module chain can perform Mapping by using an XSLTransformationModule in *mapping* mode to manipulate the identity information.
6. A module chain can perform Authorization by using an AuthorizationSTSMModule in *other* mode. It must be configured with a *Protected Object Root* value.
7. The AuthorizationSTSMModule module performs the authorization check by making a request to TAM with these properties:
  - Action = "i" (invoke)
  - Action Group = "WebService"
  - Protected Object = "<ProtectedObjectRoot>.<FlowName>.MessageFlowAccess" where "i" and "WebService" are default values used by an AuthorizationSTSMModule; and <FlowName> and MessageFlowAccess are the WS-Trust request PortType and Operation values.
8. TAM processes the authorization request by:
  - a. Finding the Access Control Lists (ACLs) associated with protected object "<ProtectedObjectRoot>.<FlowName>.MessageFlowAccess".
  - b. Checking whether or not the ACLs grant action "i" on action group "WebService" to the user (with the user either named directly, or by membership of a named group).
9. The WS-Trust reply is returned to the broker. If this is the result of a mapping request, the WS-Trust reply contains the mapped identity token.

For further information about how to configure TFIM, see the IBM Tivoli Federated Identity Manager information center.

For information about how to configure TAM, see the IBM Tivoli Access Manager information center.

## Identity propagation

Identity propagation enables a logical identity to be maintained throughout a message flow.

In an enterprise system, different physical identities (such as user names and certificates) can be used to represent a single logical identity through different parts of the enterprise. Identity propagation ensures that the logical identity is kept throughout the system by mapping between the various physical forms as necessary. For example, a message might enter the system using a certificate, but a user name token might be required for server processing of the message. Identity mapping is used to convert from the certificate to the username token, and identity propagation ensures that the mapped identity is placed in the correct place for the outbound transport.

For information about how to configure a message flow to propagate a message identity, see "Configuring for identity propagation" on page 44. For more information about how one physical identity is converted to another, see "Identity mapping" on page 12.

## Security exception processing

A security exception is raised when a runtime security failure occurs during security processing in an input node.



Security exceptions are processed in a different way from other errors on the input node. Whilst an error is usually caught on the input node and routed down the failure terminal for error processing, security exceptions are not processed in the same way. By default the broker does not allow security exceptions to be caught within the flow, but backs the message out or returns an error (as in the case of HTTP). Security exceptions are managed in this way to prevent a security denial of service attack filling the logs and destabilizing the system.

If you have designed the flow to be in a secure area and you want to explicitly perform processing of security exceptions, you can select the **Treat Security Exceptions as normal exceptions** property on the input nodes. This causes security exceptions to be processed in the same way as other exceptions in the message flow.

For information on how to diagnose the causes of security exceptions, see “Diagnosing security problems” on page 45.

## Authorization for configuration tasks

Authorization is the process of granting or denying access to a system resource. For WebSphere Message Broker, authorization is concerned with controlling who has permission to access WebSphere Message Broker resources, and ensuring that users who attempt to work with those resources have the necessary authorization to do so.

Examples of tasks that require authorization are:

- Configuring a broker using, for example, the “mqsicreatebroker command” on page 487.
- Accessing queues, for example, putting a message to the input queue of a message flow.
- Taking actions within the workbench, for example, deploying a message flow to an execution group.
- Publishing topics and subscribing to topics, as described in “Enabling topic-based security” on page 66

## Authorization for existing resources

If you want to use the security facilities of Version 6.0, when you require access to a resource that already exists, the user ID with which you work must be included in the Access Control List (ACL) for that resource.

For authorization to create resources, for example brokers, you must be a member of the **Administrator** local group.

The security architecture of WebSphere Message Broker is platform independent. If you are running in a heterogeneous environment, ensure that you limit all the principals you define for WebSphere Message Broker tasks to eight characters or fewer. If you have a Windows®-only environment, you can create principals of up to twelve characters, but only use these longer names if you are sure that you will not later include a Linux®, UNIX®, or z/OS® system in your WebSphere Message Broker network.

## Security for development resources

Security for development resources must be addressed and defined by the application development organization. No special facilities are provided by WebSphere Message Broker to address this environment over and above those available for a production environment.

## Security for runtime resources: Access control lists

Access control list (ACL) entries allow or deny a user access to specific runtime resources. Runtime resources are WebSphere Message Broker objects that exist at run time in the broker domain.

Each runtime object has an ACL that determines which users and groups can access the object. Using ACL entries, you can control users' access to specific objects in the broker domain, and permit a user or group to view, modify, or deploy the object. You can manipulate the ACL entries by using the workbench, the Java Configuration Manager Proxy API, or the `mqsicreateaclentry`, `mqsdeleteaclentry`, and `mqslistaclentry` commands.

For example, user `USER1` might be given access to modify `BROKERA`, but have no access rights to `BROKERB`. In a further example, the same user might have access to deploy to execution group `EXEGRP1`, but not to `EXEGRP2`, even though they are both members of `BROKERA`.

When you try to view or modify an object for which you require permission, the following information is passed to the Configuration Manager:

- Object type
- Object name
- Requested action
- Your user ID.

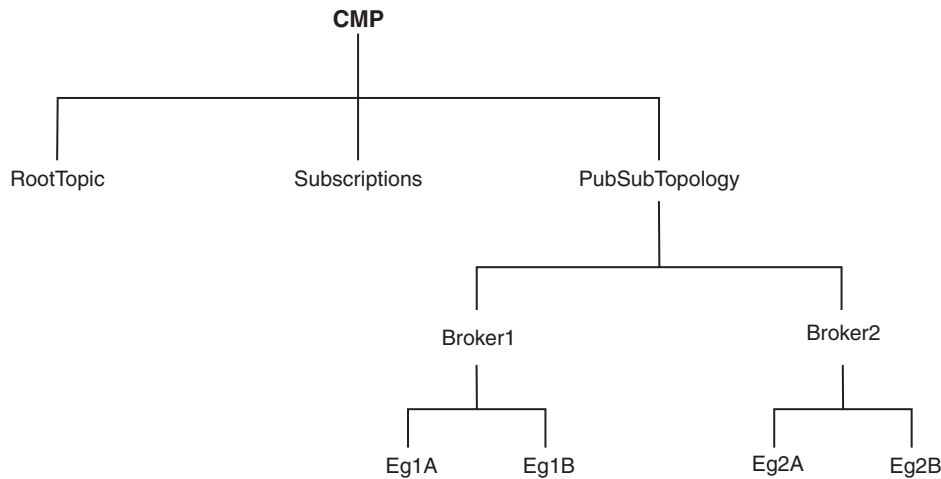
The Configuration Manager checks the ACL table and, if your user ID is included in the ACL entry for the named object, you are authorized to perform the operation.

There are four different access levels that can be granted for a user or group: Full control, View, Deploy, and Edit. Not all access levels are valid for all object types; see "ACL permissions" on page 683 for a list of the permissions that can be applied to each object type and for a summary of the actions that the user or group can perform.

An ACL entry contains the user name and can specify a host name or domain name. For example, it is possible for a user to gain access to the objects by creating an account on a computer that has a host name that is the same as an authorized Windows domain name. Use ACL entries to control access to the objects in the broker domain but do not rely on ACL entries to secure your broker domains; use SSL or security exits to secure the channels between components in the broker domain. Although ACL entries permit or deny access to an object based on the user ID, they do not secure the object because an ACL entry cannot verify the user's identity.

To reduce the number of ACL entries that a broker administrator must create, the ACL permissions operate in a hierarchical manner. The root of the tree is the `ConfigManangerProxy` object, which has three children: `RootTopic`, `Subscriptions`, and `PubSubTopology`. The `PubSubTopology` object has zero or more brokers as children, and each broker can have zero or more execution groups as children.

When an ACL entry is added to a given object, permission is granted to that object and to all objects beneath it in the hierarchy, unless it is overridden by another ACL entry. The following diagram shows an example hierarchy of access control list entries:



For examples showing how this hierarchy works in practice, see “Configuring security for domain components” on page 54.

To change the access control entries for an object, a user must have Full authority for that object or any parent in the hierarchy. This means that the permission to change the ACLs themselves works in the same way as described previously, with the exception that access to the ACLs cannot be removed by granting a lower permission further down the tree; this is necessary because otherwise a user would be able to give themselves a View entry and would not then be able to remove it.

On z/OS, you must define an OMVS segment for user IDs and groups, so that a Configuration Manager can obtain user ID and group information from the External Security Manager (ESM) database.

## ACL entries and groups

In previous versions of WebSphere Message Broker, access to runtime objects was controlled by defining a set of groups and assigning users to those groups. ACL entries enable you to control access with more granularity than groups. ACL entries also enable a single Configuration Manager to manage development, test, and production systems separately by configuring users’ access to each broker. Using groups, you would have to place the development, test, and production systems in separate broker domains, each controlled by a separate Configuration Manager.

If you migrate a Configuration Manager from a previous version of WebSphere Message Broker, ACL entries are automatically defined for the following groups:

- mqbrkrs
- mqbrops
- mqbrdevt

- mqbrasgn
- mqbrtpic

Without these ACL entries, users that belong to these groups do not have authority to perform actions on the objects in the domain.

When you use single user ACLs, you must define the users on the workstation that is accessing the objects (that is, the machine on which the Toolkit is running), but you do not need to define them on the workstation that is running the Configuration Manager. However, when you are using Group ACLs, you must define the users on both workstations and then define the groups on the workstation that is running the Configuration Manager, before adding the users to the groups. This is necessary because no group information is passed between the workstations.

## Security exits

Use security exit programs to verify that the partner at the other end of a connection is genuine.

When you start the Message Broker Toolkit a security exit to monitor the connection to the Configuration Manager is not started by default. If you want to protect access to the Configuration Manager from client programs, you can use the WebSphere MQ security exit facility.

If you want to use a security exit to provide connection security, you must define one when you create a new domain connection in the Domains view of the Message Broker Toolkit. You can enable security exits on the connection from the Message Broker Toolkit to the Configuration Manager.

- Set up a security exit on the channel at the Configuration Manager end. This security exit does not have any special requirements; you can provide a standard security exit.
- Set up a security exit in the Message Broker Toolkit. Identify the security exit properties when you create the domain connection.

The security exit is a standard WebSphere MQ security exit, written in Java.

For an overview of security exits and details in their implementation, see "Channel security exit programs" in the *Intercommunication* section of the WebSphere MQ Version 7 information center online or WebSphere MQ Version 6 information center online.

## Public key cryptography

All encryption systems rely on the concept of a key. A key is the basis for a transformation, usually mathematical, of an ordinary message into an unreadable message. For centuries, most encryption systems have relied on what is called private key encryption. Public key encryption is the only challenge to private key encryption that has appeared within the last 30 years.

### Private key encryption

Private-key encryption systems use a single key that is shared between the sender and the receiver. Both must have the key; the sender encrypts the message by using the key, and the receiver decrypts the message with the same key. Both must keep the key private to keep their communication private. This kind of encryption has characteristics that make it unsuitable for widespread, general use:

- Private key encryption requires a key for every pair of individuals who need to communicate privately. The necessary number of keys rises dramatically as the number of participants increases.
- The fact that keys must be shared between pairs of communicators means the keys must somehow be distributed to the participants. The need to transmit secret keys makes them vulnerable to theft.
- Participants can communicate only by prior arrangement. No way exists to send a usable encrypted message to someone spontaneously. You and the other participant must make arrangements to communicate by sharing keys.

Private-key encryption is also called symmetric encryption, because the same key is used to encrypt and decrypt the message.

## Public key encryption

Public key encryption uses a pair of mathematically related keys. A message that is encrypted with the first key must be decrypted with the second key, and a message that is encrypted with the second key must be decrypted with the first key.

Each participant in a public-key system has a pair of keys. The symmetric (private) key is kept secret. The other key is distributed to anyone who wants it; this key is the public key.

To send an encrypted message to you, the sender encrypts the message by using your public key. When you receive the message, you decrypt it by using your symmetric key. To send a message to someone, you encrypt the message by using the recipient's public key. The message can be decrypted with the recipient's symmetric key only. This kind of encryption has characteristics that make it very suitable for general use:

- Public-key encryption requires only two keys per participant. The increase in the total number of keys is less dramatic as the number of participants increases, compared to symmetric key encryption.
- The need for secrecy is more easily met. Only the symmetric key needs to be kept secret and because it does not need to be shared, the symmetric key is less vulnerable to theft in transmission than the shared key in a symmetric key system.
- Public keys can be published, which eliminates the need for prior sharing of a secret key before communication. Anyone who knows your public key can use it to send you a message that only you can read.

Public-key encryption is also called asymmetric encryption, because the same key cannot be used to encrypt and decrypt the message. Instead, one key of a pair is used to undo the work of the other.

With symmetric key encryption, you have to be careful of stolen or intercepted keys. In public-key encryption, where anyone can create a key pair and publish the public key, the challenge is in verifying that the owner of the public key is really the person you think it is. Nothing prevents a user from creating a key pair and publishing the public key under a false name. The listed owner of the public key cannot read messages that are encrypted with that key because the owner does not have the symmetric key. If the creator of the false public key can intercept these messages, that person can decrypt and read messages that are intended for someone else. To counteract the potential for forged keys, public-key systems

provide mechanisms for validating public keys and other information with digital certificates and digital signatures.

## Digital certificates

Certificates provide a way of authenticating users. Instead of requiring each participant in an application to authenticate every user, third-party authentication relies on the use of digital certificates.

A digital certificate is equivalent to an electronic ID card. The certificate serves two purposes:

- Establishes the identity of the owner of the certificate.
- Distributes the owner's public key.

Certificates are issued by trusted parties, called certificate authorities (CAs). These authorities can be commercial ventures or they can be local entities, depending on the requirements of your application. Regardless, the CA is trusted to adequately authenticate users before issuing certificates. A CA issues certificates with digital signatures. When a user presents a certificate, the recipient of the certificate validates it by using the digital signature. If the digital signature validates the certificate, the certificate is recognized as intact and authentic. Participants in an application need to validate certificates only; they do not need to authenticate users. The fact that a user can present a valid certificate proves that the CA has authenticated the user. The descriptor, trusted third-party, indicates that the system relies on the trustworthiness of the CAs.

### Contents of a digital certificate

A certificate contains several pieces of information, including information about the owner of the certificate and the issuing CA. Specifically, a certificate includes:

- The distinguished name (DN) of the owner. A DN is a unique identifier, a fully qualified name including not only the common name (CN) of the owner but the owner's organization and other distinguishing information.
- The public key of the owner.
- The date on which the certificate is issued.
- The date on which the certificate expires.
- The distinguished name of the issuing CA.
- The digital signature of the issuing CA. The message-digest function creates a signature based upon all the previously listed fields.

The core idea of a certificate is that a CA takes the public key of the owner, signs the public key with its own private key, and returns the information to the owner as a certificate. When the owner distributes the certificate to another party, it signs the certificate with its private key. The receiver can extract the certificate that contains the CA signature with the public key of the owner. By using the CA public key and the CA signature on the extracted certificate, the receiver can validate the CA signature. If valid, the public key that is used to extract the certificate is considered good. The owner signature is validated, and if the validation succeeds, the owner is successfully authenticated to the receiver.

The additional information in a certificate helps an application decide whether to honor the certificate. With the expiration date, the application can determine if the certificate is still valid. With the name of the issuing CA, the application can check that the CA is considered trustworthy by the site.

A process that uses certificates must provide its personal certificate, the one containing its public key, and the certificate of the CA that signed its certificate, called a signer certificate. In cases where chains of trust are established, several signer certificates can be involved.

## Requesting certificates

To get a certificate, send a certificate request to the CA. The certificate request includes:

- The distinguished name of the owner or the user for whom the certificate is requested.
- The public key of the owner.
- The digital signature of the owner.

The message-digest function creates a signature based upon all the previously listed fields.

The CA verifies the signature with the public key in the request to ensure that the request is intact and authentic. The CA then authenticates the owner. Exactly what the authentication consists of depends on a prior agreement between the CA and the requesting organization. If the owner in the request is successfully authenticated, the CA issues a certificate for that owner.

## Using certificates: Chain of trust and self-signed certificate

To verify the digital signature on a certificate, you must have the public key of the issuing CA. Because public keys are distributed in certificates, you must have a certificate for the issuing CA that is signed by the issuer. One CA can certify other CAs, so a chain of CAs can issue certificates for other CAs, all of whose public keys you need. Eventually, you reach a root CA that issues itself a self-signed certificate. To validate a user certificate, you need certificates for all of the intervening participants back to the root CA. You then have the public keys that you need to validate each certificate, including the user certificate.

A self-signed certificate contains the public key of the issuer and is signed with the private key. The digital signature is validated like any other, and if the certificate is valid, the public key it contains is used to check the validity of other certificates issued by the CA. However, anyone can generate a self-signed certificate. In fact, you can probably generate self-signed certificates for testing purposes before installing production certificates. The fact that a self-signed certificate contains a valid public key does not mean that the issuer is really a trusted certificate authority. To ensure that self-signed certificates are generated by trusted CAs, such certificates must be distributed by secure means, for example hand-delivered on floppy disks, downloaded from secure sites, and so on.

Applications that use certificates store these certificates in a keystore file. This file typically contains the necessary personal certificates, its signing certificates, and its private key. The private key is used by the application to create digital signatures. Servers always have personal certificates in their keystore files. A client requires a personal certificate only if the client must authenticate to the server when mutual authentication is enabled.

To allow a client to authenticate to a server, a server keystore file contains the private key and the certificate of the server and the certificates of its CA. A client truststore file must contain the signer certificates of the CAs of each server to which the client must authenticate.

If mutual authentication is needed, the client keystore file must contain the client private key and certificate. The server truststore file requires a copy of the certificate of the client CA.

## Digital signatures

A digital signature is a number attached to a document. For example, in an authentication system that uses public-key encryption, digital signatures are used to sign certificates.

This signature establishes the following information:

- The integrity of the message: Is the message intact? That is, has the message been modified between the time it was digitally signed and now?
- The identity of the signer of the message: Is the message authentic? That is, was the message actually signed by the user who claims to have signed it?

A digital signature is created in two steps. The first step distills the document into a large number. This number is the digest code or fingerprint. The digest code is then encrypted, which results in the digital signature. The digital signature is appended to the document from which the digest code is generated.

Several options are available for generating the digest code. This process is not encryption, but a sophisticated checksum. The message cannot regenerate from the resulting digest code. The crucial aspect of distilling the document to a number is that if the message changes, even in a trivial way, a different digest code results. When the recipient gets a message and verifies the digest code by recomputing it, any changes in the document result in a mismatch between the stated and the computed digest codes.

To stop someone from intercepting a message, changing it, recomputing the digest code, and retransmitting the modified message and code, you need a way to verify the digest code as well. To verify the digest code, reverse the use of the public and private keys. For private communication, it makes no sense to encrypt messages with your private key; these keys can be decrypted by anyone with your public key. This technique can be useful for proving that a message came from you. No one can create it because no one else has your private key. If some meaningful message results from decrypting a document by using someone's public key, the decryption process verifies that the holder of the corresponding private key did encrypt the message.

The second step in creating a digital signature takes advantage of this reverse application of public and private keys. After a digest code is computed for a document, the digest code is encrypted with the sender's private key. The result is the digital signature, which is attached to the end of the message.

When the message is received, the recipient follows these steps to verify the signature:

1. Recomputes the digest code for the message.
2. Decrypts the signature by using the sender's public key. This decryption yields the original digest code for the message.



3. Compares the original and recomputed digest codes. If these codes match, the message is both intact and authentic. If not, something has changed and the message is not to be trusted.

## SSL authentication

SSL authentication is available for the Real Time node, the HTTP listener, and the WebSphere MQ Java Client.

### SSL authentication for the Real Time node

SSL authentication in WebSphere Message Broker supports an authentication protocol known as *mutual challenge-response password authentication*. This is a non-standard variant of the industry standard SSL protocol in which the public key cryptography called for by SSL is replaced by symmetric secret key cryptography. While this protocol is both secure and convenient to administer, it might be better to use the industry standard SSL protocol exactly as defined, especially if a public key cryptography infrastructure is already deployed for other purposes. There are two standardized versions of SSL which are:

#### Asymmetric SSL

This is used by most Web browsers. In this protocol, only the brokers have public/private key pairs and clients know the brokers' public keys. The SSL protocol establishes a secure connection in which the broker is authenticated to the client using public key cryptography, after which the client can send its password, encrypted by a secure session key, to authenticate itself to the broker.

#### Symmetric SSL

This is where both participants have public/private key pairs. The SSL protocol uses public key cryptography to accomplish mutual authentication.

In both instances, SSL authentication does not keep the SSL protocol up for the entire lifetime of a connection, because that would incur protection overheads on all messages. The SSL protocol remains in force long enough to accomplish mutual authentication and to establish a shared secret session key that can be used by message protection (see "Message protection" on page 83). Messages are then individually protected in accordance with the protection level specified for the given topic.

The SSL protocol implementation requires a Public-Key Cryptography Standards (PKCS) file, containing X.509 V3 certificates for the broker's private key, and possibly the public keys of clients and other brokers. This file, called the keyring file, must contain at least one certificate for the broker and for the trusted certification authority (CA) that issued and signed the broker's certificate. For the R form of SSL, the keyring file can also have the public keys of clients and other brokers that need to be authenticated, and the certificates supporting those public keys. However, the SSL protocol calls for the exchange of public keys and certificates, so keyring files do not need to be fully primed in this fashion, as long as there are enough commonly-trusted authorities to ensure that authentication completes.

By convention, keyring files are encrypted and protected by a passphrase, which is stored in a second file. The passphrase file requires careful protection using operating system mechanisms to ensure that it is not exposed to unauthorized observers. An observer who learns the passphrase can learn the private keys in the

keyring file. However, only the passphrase file needs to be secure in this way and the keyring file is protected by the passphrase. Only private keys are sensitive. Other information in the keyring file, such as the broker's certificates, can be revealed without compromising security.

For more information on SSL authentication for the Real Time node, see "Enabling SSL for the Real-time nodes" on page 58.

### **SSL authentication for the HTTP listener**

For information on SSL authentication for the HTTP listener, see "Configuring HTTPInput and HTTPReply nodes to use SSL (HTTPS)" on page 61, and "Configuring an HTTPRequest node to use SSL (HTTPS)" on page 64.

### **SSL authentication for the MQ Java Client**

For information on SSL authentication for the MQ Java Client, see "Enabling SSL on the WebSphere MQ Java Client" on page 57.

## **Tunneling**

When implementing WebSphere Message Broker, both the clients and their brokers can reside on different intranets, that is, separate organizational entities. This causes problems when a client attempts to connect to a broker. Tunneling addresses this problem where a broker's firewall has been configured to allow incoming connections from clients. Two options are provided for a client to connect through its own firewall to a broker with both methods achieving the same result, these are:

### **HTTP tunneling**

This is suitable for applets where, due to sandbox security, an attempt to connect explicitly to an HTTP proxy server would be rejected. HTTP tunneling uses the Web support in Web browsers and connects through the proxy as if it were connecting to a Web site.

Activating HTTP tunneling support is configured on each node. Once a node has been configured to use HTTP tunneling, all client connections to that node must use this method of connection. Clients that don't will be rejected when an attempt to connect is made.

HTTP tunneling is not supported in conjunction with SSL authentication.

### **Connect via proxy**

This is not suitable for applets. It is suitable for use where there are no sandbox security restrictions. It connects directly to the proxy and uses Internet protocols to request that the proxy forwards the connection to the broker. This option does not work in applets where the security manager rejects an explicit connection to the proxy.

## **Quality of protection**

In Internet deployments, cryptographically-based protection of messages enhances security by preventing tampering and eavesdropping by hackers. The authentication services provided by WebSphere Message Broker ensure that only legitimate event broker servers and clients can connect to each other. However, a

hacker might still be able to observe messages in transit or tamper with messages on established connections. Message protection provides security against these kinds of attacks.

Message protection consumes processor time and can slow system throughput. However, not all messages are equally sensitive, so message protection is configurable on a per-topic basis, so that you get only the protection you really need. Some topics might get no message protection at all, others might get channel integrity (making it impossible for hackers to insert or delete messages undetected), or message integrity (making it impossible for hackers to alter messages undetected), or message privacy (making it impossible for hackers to observe message contents). The protection levels are cumulative. For example, if you request message privacy you get message integrity and channel integrity as well. If you request message integrity you also get channel integrity. The higher levels of protection consume more resources than the lower levels.

You can also set message protection on internal system topics. Unlike user topics this must be either enabled on all topics, or on none.

## **Domain awareness for Message Broker Toolkit users on Windows**

If you enable domain awareness, access to the Message Broker Toolkit is not restricted to users from one Windows domain.

The Configuration Manager is always domain aware; when a Configuration Manager on Windows receives user information, it verifies the user's domain membership.

You can configure the Message Broker Toolkit to send domain aware information about the user to the Configuration Manager, if required. If the user is logged on to a Windows domain and the Message Broker Toolkit sends domain aware information, the Message Broker Toolkit sends the user's domain membership information and the user's ID. If the user is not logged on to a Windows domain, the Message Broker Toolkit sends only the user's ID and the computer name.

If you enable domain awareness, users from different Windows domains, who are either trusted by the primary domain, or in a Windows transitive trust relationship, can perform Message Broker Toolkit tasks, provided that they are in the correct user role definition groups or object level security groups.

When using domain awareness:

- Domain information is retrieved by the Configuration Manager.
- Membership of user role definition or object level security groups is not restricted to users from one domain.
- Nesting in user role definition or object level security groups is supported.

---

## **Planning for security when you install WebSphere Message Broker**

The Installation Guide describes the security tasks that you must complete before, during, and after installation.

On Linux and UNIX systems, you must complete security tasks before you install WebSphere Message Broker; these tasks are described in the Installation Guide. On Windows systems, security tasks are completed during and after installation.

Always refer to the Installation Guide for the latest information about installation tasks.

After installation, refer to “Creating user IDs” on page 46 for further security considerations.

For an introduction to various aspects of security, see “Security overview” on page 3.

---

## Setting up message flow security

Security can be set up on a message flow to control access based on the identity of a message passing through the message flow. You must complete the tasks in this topic to set up message flow security.

You can configure the broker to perform end-to-end processing of an identity carried in a message through a message flow. This enables administrators to configure security at message flow level, controlling access based on the identity flowed in a message. This provides a security mechanism that is both transport independent and message format independent.

To set up security for a message flow, perform the tasks described in the following topics:

1. “Creating a security profile”
2. “Configuring identity extraction” on page 34
3. “Configuring authentication” on page 35
4. “Configuring identity mapping” on page 38
5. “Configuring authorization” on page 39
6. “Configuring for identity propagation” on page 44.

If the message flow is a Web service implemented using the broker SOAP nodes and the identity is to be taken from the WS-Security header tokens, you must also create appropriate Policy sets and bindings and then configure them on the relevant SOAP Nodes (in addition to the security profile). See Associating policy sets and bindings with message flows and nodes.

To work with a Username + Password identity, you need to configure the policy sets and bindings for Username token capabilities. To work with an X.509 Certificate identity, you need to configure them for X.509 certificate token capabilities. In the policy set binding, the *Certificates* mode of the X.509 certificate authentication token must be set as *Trust Any* (rather than *Trust Store*) so that the certificate is passed to the security provider defined by the security profile. Setting *Trust Store* causes the certificate to be validated in the local broker trust store. For more information, see Policy Sets and Policy Set Bindings editor: Authentication and Protection Tokens panel.

## Creating a security profile

This topic describes how to create a security profile for use with Lightweight Directory Access Protocol (LDAP) or Tivoli Federated Identity Manager (TFIM).

Before you can enable security on a node or a flow, you need to create a security profile that defines the operations you want to perform. You can create a security profile by using either the `mqsicreateconfigurableservice` command or an editor in the Broker Administration perspective of the Message Broker Toolkit.

You can create a security profile for use with either LDAP or TFIM to provide the required security enforcement and mapping. If you want to extract and propagate an identity without security enforcement or mapping, you can use the supplied security profile called Default Propagation. The Default Propagation profile is a predefined profile that requests only identity propagation. For information on creating security profiles, see:

- “Creating a security profile for LDAP”
- “Creating a security profile for TFIM” on page 32.

## Creating a security profile for LDAP

This topic describes how to create a security profile for use with Lightweight Directory Access Protocol (LDAP).

### Before you start:

Ensure that you have an LDAP server that is LDAP Version 3 compliant, for example:

- IBM Tivoli Directory Server
- Microsoft® Active Directory
- OpenLDAP.

You can create a security profile for LDAP using either the `mqsicreateconfigurableservice` command or an editor in the Broker Administration perspective of the Message Broker Toolkit (see “Creating a security profile using the Message Broker Toolkit” on page 31).

If your LDAP directory does not permit login by unrecognized IDs, and does not grant search access rights on the subtree, you must also set up a separate authorized login ID that the broker can use for the search. For information on how to do this, see “Configuring authorization with LDAP” on page 39 or “Configuring authentication with LDAP” on page 36.

### Creating a security profile using `mqsicreateconfigurableservice`:

You can use the `mqsicreateconfigurableservice` command to create a security profile that uses LDAP for authentication, authorization, or both.

1. To create a security profile that ensures that each message has an authenticated ID and is authorized for the flow, enter the `mqsicreateconfigurableservice` command on the command line. For example:

```
mqsicreateconfigurableservice WBRK_BROKER -c SecurityProfiles -o LDAP
-n authentication,authenticationConfig,authorization,authorizationConfig
-v "LDAP,\"ldap://ldap.acme.com:389/ou=sales,o=acme.com\",LDAP,
\"ldap://ldap.acme.com:389/cn=A11 Sales,ou=acmegroups,o=acme.com\""
```

You must enclose the LDAP URL (which contains commas) with escaped double quotes (`\` and `\`) so that the URL commas are not confused with the comma separator of the value parameter of `mqsicreateconfigurableservice`.

If the LDAP URL includes an element name with a space, in this case `cn=A11 Sales`, the set of values after the `-v` flag must be enclosed by double quotes, (`"`)

For more information about the structure of the command, refer to the “`mqsicreateconfigurableservice` command” on page 507.

You can define the security-specific parts of the command in the following way:

- a. Set the **authentication** to *LDAP*. This ensures that the incoming identity is validated.

- b. Set the **authorization** to *LDAP*. This ensures that the incoming identity is checked for group membership in LDAP.
- c. Set the **authenticationConfig** using the following syntax:

```
ldap[s]://server[:port]/baseDN[?[uid_attr][?[base|sub]]]
```

For example:

```
ldap://ldap.acme.com:389/ou=sales,o=acme.com
ldaps://localhost:636/ou=sales,o=acme?cn?base
```

**ldap:** Required. Fixed protocol string

**s:** Optional. Specifies whether or not SSL should be used. Default is not to use SSL.

**server:** Required. The name or IP address of the LDAP server to contact.

**port:** Optional. The port to connect to. Default is 389 (non-SSL). For LDAP servers with SSL enabled, the port is typically 636.

**baseDN**

Required. String defining the base distinguished name of all users in the directory. If users exist in different subtrees, specify a common subtree under which a search on the username uniquely resolves to the required user entry, and set the *sub* attribute.

**uid\_attr:**

Optional. String defining the attribute to which the incoming username should map, typically uid, CN, or e-mail address. Default is *uid*.

**base|sub:**

Optional. Defines whether to perform a base or subtree search. If *base* is defined, the authentication is faster because the DN of the user can be constructed from the *uid\_attr*, *username*, and *baseDN* values. If *sub* is selected, a search must be performed before the DN can be resolved. Default is *sub*.

- d. Set the **authorizationConfig** using the following syntax:

```
ldap[s]://server[:port]/groupDN[?[member_attr]
?[base|sub][?[x-userBaseDN=baseDN,
x-uid_attr=uid_attr]]]
```

For example:

```
ldap://ldap.acme.com:389/cn=All Sales,ou=acmegroups,
o=acme.com?uniquemember?sub?x-userBaseDN=ou=sales%2co=ibm.com,
x-uid_attr=emailaddress
```

**ldap:** Required. Fixed protocol string

**s:** Optional. Specifies whether or not SSL should be used. Default is not to use SSL.

**server:** Required. The name or IP address of the LDAP server to contact.

**port:** Optional. The port to connect to. Default is 389 (non-SSL). For LDAP servers with SSL enabled, the port is typically 636.

**groupDN**

Required. Fully-defined distinguished name of the group in which users must be members to be granted access.

**member\_attr:**

Optional. The attribute of the group used to filter the search. Default is to look for both *member* and *uniquemember* attributes.

The following options are required only if authentication has not preceded the authorization, and if the authentication configuration string has not been specified. If the authentication configuration string has been specified, the following parameters are ignored and the ones provided by the **baseDN**, **uid\_attr**, and **[base|sub]** for authentication are used instead:

**base|sub:**

Optional. Defines whether to perform a base or subtree search. If *base* is defined, the authentication is faster because the DN of the user can be constructed from *uid\_attr* + username + *baseDN*. If *sub* is selected, a search must be performed before the DN can be resolved. Default is *sub*.

**baseDN**

Optional. String defining the base distinguished name of all users in the directory. Must be preceded by the string *x-userBaseDN*. Any commas in the BaseDN must be rendered as %2c.

**x-uid\_attr:**

Optional. String defining the attribute to which the incoming username should map, typically *uid*, *CN*, or email address. Default is *uid*. Must be preceded by the string *x-uid\_attr*.

When you submit the command from a batch (.bat) file or command (.cmd) file, if the LDAP URL includes an extension with LDAP URL percent hex hex escaped characters (for example, a comma replaced by %2c, or a space replaced by %20), these percent signs must be escaped from the batch interpreter with an extra percent sign (%). For example:

```
mqsicreateconfigurablesevice WBRK_BROKER -c SecurityProfiles -o LDAP_URI_FUN
-n authentication,authenticationConfig,authorization,authorizationConfig -v
"LDAP,\"ldap://ldap.acme.com:389/ou=sales,o=acme.com?emailaddress?sub\",TRUE,
LDAP,\"ldap://ldap.acme.com:389/cn=All Sales,ou=acmegroups,
o=acme.com?report?base?x-BaseDN=ou=sales%2co=acme.com,
x-uid_attr=emailaddress\""
```

The selected group must be defined on the LDAP server, and all of the required users must be members of the group.

2. If you need to reconfigure the security profile when it has been created, use the `mqsichangeproperties` command.

### Creating a security profile using the Message Broker Toolkit:

This section describes how to use the Broker Administration perspective in the Message Broker Toolkit to create a security profile for LDAP.

1. Right-click the broker in the Domains view of the Broker Administration perspective. A menu is displayed.
2. Click **Open Security Profiles** in the menu. The Security Profiles window is displayed, containing a list of existing security profiles for the broker on the left, and, on the right, a pane in which you can configure the profile.
3. Click **Add** to create a new profile and add it to the list. You can edit the name of the security profile by highlighting it in the list and pressing **F2**.
4. Configure the security profile using the entry fields on the right side of the pane:
  - a. Select the type of **Authentication** required. This can be LDAP, TFIM, or NONE. If you select LDAP for authentication (or for authorization), the **LDAP Parameters** fields at the bottom of the pane are enabled.
  - b. If you have selected LDAP for authentication, edit the following fields in the **LDAP Parameters** section:

- LDAP Host
- LDAP baseDN
- LDAP uid attr
- LDAP search Scope

The values that you enter in the **LDAP Parameters** fields create a configuration string, which is displayed in the **Authentication Config** field. For information about the valid values for the parameters, see “Creating a security profile using mqsicreateconfigurableservice” on page 29.

- c. Select the type of **Mapping** required. This can be either TFIM or NONE. If you select TFIM for mapping (or for authentication or authorization) the **TFIM Configuration** field of the **TFIM Parameters** section is enabled.
- d. If you have selected TFIM for mapping, type the URL of the TFIM server in the **TFIM Configuration** field of the **TFIM Parameters** section.  
The value that you specify in the **TFIM Configuration** field creates a configuration string, which is displayed in the **Mapping Config** field.
- e. Select the type of **Authorization** required. This can be LDAP, TFIM, or NONE. If you select LDAP for authorization (or for authentication), the **LDAP Parameters** fields at the bottom of the pane are enabled.
- f. If you have selected LDAP for authorization, edit the following fields in the **LDAP Parameters** section:
  - LDAP Host
  - LDAP baseDN
  - LDAP uid attr
  - LDAP search Scope
  - LDAP group baseDN
  - LDAP group member.

The values that you enter in the **LDAP Parameters** fields create a configuration string, which is displayed in the **Authorization Config** field. For information about the valid values for the parameters, see “Creating a security profile using mqsicreateconfigurableservice” on page 29.

- g. In the **Propagation** field, specify whether or not you require the identity to be propagated. The default is *False*.
- h. In the **Password Value** field, select the way in which the password is displayed in the properties folder. The options are:

*PLAIN* The password appears in the Properties folder as plain text.

*OBFUSCATE*

The password appears in the Properties folder as base64 encoding.

*MASK* The password appears in the Properties folder as four asterisks (\*\*\*\*).

5. Click **Finish** to deploy the security profile to the broker.

To delete an existing security profile, select the profile in the list and then click **Delete**.

## Creating a security profile for TFIM

This topic describes how to create a security profile for Tivoli Federated Identity Manager (TFIM).



You can create a security profile for TFIM using either the `mqsicreateconfigurableservice` command or an editor in the Broker Administration perspective of the Message Broker Toolkit (see “Creating a profile for TFIM using the Message Broker Toolkit”).

### Creating a profile using `mqsicreateconfigurableservice`:

You can use the `mqsicreateconfigurableservice` command to create a new security profile that uses Tivoli Federated Identity Manager (TFIM) for any combination of the following security functions: authentication, authorization, and mapping.

To create a security profile that uses TFIM, use the `mqsicreateconfigurableservice` command.

The configuration parameter must be set to the URL of the TFIM server. For example: `http://tfimserver.mycompany.com:9080`.

To create a security profile that uses TFIM for mapping, enter the following command:

```
mqsicreateconfigurableservice <brokername> -c SecurityProfiles -o <profilename>
-n mapping,mappingConfig -v TFIM,http://tfimserver.mycompany.com:9080
```

If the URL specifies an address beginning with `https://`, an SSL secured connection is used for requests to the TFIM server. For example, to create a security profile that uses an HTTPS connection to TFIM for mapping, enter the following command:

```
mqsicreateconfigurableservice <brokername> -c SecurityProfiles -o <profilename>
-n mapping,mappingConfig -v TFIM,https://tfimserver.mycompany.com:9443
```

where `https://tfimserver.mycompany.com:9443` is the address of the TFIM server. If TFIM is selected for more than one operation (for example, for authentication and mapping), the TFIM server URL must be identical for all the operations, and is therefore specified only once.

The following example creates a security profile that uses TFIM for authentication, mapping, and authorization:

```
mqsicreateconfigurableservice WBRK6_DEFAULT_BROKER -c SecurityProfiles -o TFIM
-n authentication,mapping,authorization,propagation,mappingConfig
-v TFIM,TFIM,TFIM,TRUE,http://tfimhost1.ibm.com:9080
```

### Creating a profile for TFIM using the Message Broker Toolkit:

This section describes how to use the Broker Administration perspective in the Message Broker Toolkit to create a security profile for using TFIM.

1. Right-click the broker in the Domains view of the Broker Administration perspective. A menu is displayed.
2. Click **Open Security Profiles** in the menu. The Security Profiles window is displayed, containing a list of existing security profiles for the broker on the left, and, on the right, a pane in which you can configure the profile.
3. Click **Add** to create a new profile and add it to the list. You can edit the name of the security profile by highlighting it in the list and pressing **F2**.
4. Configure the security profile using the entry fields on the right side of the pane:
  - a. Select the type of **Authentication**, **Mapping**, and **Authorization** required. If you select TFIM for any of these options, the **TFIM Configuration** field at the bottom of the pane is enabled.
  - b. If you have selected TFIM for authentication, mapping or authorization, type the URL of the TFIM server into the **TFIM Configuration** field. The

URL that you enter forms a configuration string, which is displayed in one or more of the configuration fields (**Authentication Config**, **Mapping Config**, and **Authorization Config**) depending on the entry fields that have TFIM selected.

For more information about the valid values for the configuration parameter, see “Creating a profile using mqsicreateconfigurable-service” on page 33.

- c. In the **Propagation** field, specify whether or not you require the identity to be propagated. The default is *False*.
- d. In the **Password Value** field, select the way in which the password is displayed in the properties folder. The options are:

*PLAIN* The password appears in the Properties folder as plain text.

*OBFUSCATE*

The password appears in the Properties folder as base64 encoding.

*MASK* The password appears in the Properties folder as four asterisks (\*\*\*\*).

5. Click **Finish** to deploy the security profile to the broker.

To delete an existing security profile, select the profile in the list and click **Delete**.

## Configuring identity extraction

This topic explains how to configure the extraction of an identity in the message flow.

### Before you start:

Before you can configure a message flow to perform identity extraction, you need to check that an appropriate security profile exists, or create a new security profile. See “Creating a security profile” on page 28.

Input nodes can retrieve identity from the bitstream.

- An MQInput node retrieves the UserIdentifier from the message descriptor (MQMD) and puts it in the Identity Source Token element of the Properties folder. At the same time, it sets the Identity Source Type element to *username* and the Identity Source Issued By element to *MQMD.PutApplName* (the put application name).
- An HTTPInput node retrieves the BasicAuth header from the HTTP request, decodes it, and puts it into the Identity Source Token and Password elements in the Properties folder. At the same time, it sets the Identity Source Type element to *usernameAndPassword* and the Identity Source Issued By element to the HTTP header *UserAgent* property.
- A SOAPInput node retrieves either the appropriate tokens as defined by the configured WS-Security Policy sets and bindings, or (if they are not set) the underlying transport headers definition, and then populates the Identity Source fields in the Properties folder.

In some cases, the information extracted from the transport headers is not set or is insufficient to perform authentication or authorization. For example, for authentication to occur, a Username + Password type token is required, but with WebSphere MQ only a username is available so the incoming identity has to be trusted. However, you can increase security by applying transport-level security using WebSphere MQ Extended Security Edition.

If the transport header cannot provide the required identity credentials, the information must be provided as part of the body of the incoming message. To enable this, the flow developer must include a path into the relevant locations in the message to locate the security information. You specify this information using the **Security** tab on the HTTP or MQ input nodes:

1. In **Identity Token Type**, specify the type of identity token that is in the message. The type can have one of the following values:

- *Transport Default*
- *Username*
- *Username + Password*
- *X.509 Certificate*

The default is *Transport Default*.

2. In **Identity Token Location**, specify the location in the message where the identity is specified. This is in the form of an ESQL path or XPath expression, and must resolve to a token with the type *Username*, *Username + Password*, or *X.509 Certificate*.

If you leave this option blank, the identity is retrieved from the transport header location. For example, for MQ the identity is retrieved from the MQMD.UserIdentifier transport header.

3. In **Identity Password Location**, enter the location in the message where the password is specified. This is in the form of an ESQL path or XPath expression, and must resolve to a string containing a password. This option can be set only if the **Identity Token Type** is set to *Username + Password*.

If you leave this option blank, the password is taken from the transport header if it is provided. For example, with Websphere MQ it is not set.

4. In **Identity IssuedBy Location**, specify a string or path expression to show where (in the message) information about the issuer of the identity is held. This is in the form of an ESQL Path, XPath expression, or literal string defining where the identity was defined.

If you leave this blank, the transport header value is used (if there is one). For example, for MQ the MQMD.PutApplName value is used.

5. Optional: Promote the properties to the message flow. This ensures that all input nodes share the same information.

To enable the extraction of an identity in the message flow, you also need to select a security profile:

1. Switch to the Broker Application Development perspective.
2. In the Broker Development view, right-click the BAR file and then click **Open with > Broker Archive Editor**.
3. Click the **Manage and Configure** tab.
4. Click the flow or node on which you want to set the security profile. The properties that you can configure for the message flow or for the node are displayed in the **Properties** view.
5. In the **Security Profile Name** field, select a security profile.
6. Save the BAR file.

## Configuring authentication

This topic describes how to configure authentication of an identity in the message flow.

### Before you start:

Before you can configure a message flow to perform identity authentication, you need to check that an appropriate security profile exists, or create a new security profile. See “Creating a security profile” on page 28.

You can use either Lightweight Directory Access Protocol (LDAP) or Tivoli Federated Identity Manager (TFIM) to perform authentication of an identity. For information about configuring authentication with LDAP or TFIM, see:

- “Configuring authentication with LDAP”
- “Configuring authentication with TFIM” on page 37.

## Configuring authentication with LDAP

This topic describes how to configure a message flow to perform identity authentication using Lightweight Directory Access Protocol (LDAP).

### Before you start:

Before you can configure a message flow to perform identity authentication using LDAP, you need to check that an appropriate security profile exists, or create a new security profile. See “Creating a security profile for LDAP” on page 29.

To authenticate the identity of a user or system, the broker attempts to connect to the LDAP server using the username and password associated with the identity. To do this, the broker needs the following information:

- To resolve the username to an LDAP entry, the broker needs to know the base distinguished name (base DN) of the accepted login IDs. This is required to enable the broker to differentiate between different entries with the same name.
- If the identities do not all have a common base DN, but can be uniquely resolved from a subtree, the DN can be specified in the broker configuration. When a subtree search has been specified, the broker must first connect to the LDAP server and search for the given username in order to obtain the full username distinguished name (DN) to be used for authentication. If your LDAP directory does not permit login of unrecognized IDs, and does not grant search access rights on the subtree, you must set up a separate authorized login ID that the broker can use for the search. Use the `mqsisetdbparms` command to specify a username and password. For example:

```
mqsisetdbparms -n ldap::LDAP -u username -p password
```

or

```
mqsisetdbparms -n ldap::<servername> -u username -p password
```

where `<servername>` is your base LDAP server name, for example, `ldap.mydomain.com`.

If you specify `ldap::LDAP`, it creates a default setting for the broker, which the broker attempts to use if you have not explicitly used the `mqsisetdbparms` command to create a login ID for a specific `<servername>`. All servers that do not have an explicit `ldap::servername` entry then start using the credentials in the `ldap::LDAP` entry. This means that any servers that were previously using anonymous bind by default will start using the details in `ldap::LDAP`.

The username that you specify in the `-u` parameter must be recognized by the LDAP server as a complete user name. In most cases this means that you need to specify the full DN of the user. Alternatively, by specifying a username to be

anonymous, you can force the broker to bind anonymously to this LDAP server. This might be useful if you have specified a non-anonymous bind as your default (ldap::LDAP). For example:

```
mqsisetdbparms -n ldap::<servername> -u anonymous -p password
```

In this case, the value specified for *password* is ignored.

### Steps for enabling LDAP authentication:

To enable an existing message flow to perform identity authentication, use the Broker Archive editor to select a security profile that uses LDAP for authentication. You can set a security profile on a message flow or on individual input nodes. If no security profile is set for the input nodes, the setting is inherited from the setting on the message flow.

1. Switch to the Broker Application Development perspective.
2. In the Broker Development view, right-click the BAR file and then click **Open with > Broker Archive Editor**.
3. Click the **Manage and Configure** tab.
4. Click the flow or node on which you want to set the security profile. The properties that you can configure for the message flow or for the node are displayed in the **Properties** view.
5. In the **Security Profile Name** field, select a security profile that uses LDAP for authentication.
6. Save the BAR file.

For a SOAPInput node to use the identity in the WS-Security header (rather than an underlying transport identity) an appropriate policy set and bindings must also be defined and specified. For more information, see Policy sets.

If the message identity does not contain enough information for authentication, the information must be taken from the message body. For example, if a password is required for authentication but the message came from WebSphere MQ with only a username, the password information must be taken from the message body. For more information, see “Configuring identity extraction” on page 34.

## Configuring authentication with TFIM

This topic describes how to configure a message flow to perform identity authentication using Tivoli Federated Identity Manager (TFIM).

### Before you start:

Before you can configure a message flow to perform identity authentication, you need to check that an appropriate security profile exists, or create a new security profile. See “Creating a security profile for TFIM” on page 32.

When you use TFIM for authentication, a request is made to the TFIM trust service with the following three parameters, which select the module chain:

- Issuer = Properties.IdentitySourceIssuedBy
- Applies To = The Fully Qualified Name of the Flow: <Brokername>.<Execution Group Name>.<Message Flow Name>
- Token = Properties.IdentitySourceToken

For more information about these parameters, see “Authentication, Mapping, and Authorization with TFIM and TAM” on page 14.

For further information about how to configure TFIM, see the IBM Tivoli Federated Identity Manager information center.

### Steps for enabling TFIM authentication:

To enable an existing message flow to perform identity authentication, use the Broker Archive editor to select a security profile that uses TFIM for authentication. You can set a security profile on a message flow or on individual input nodes. If no security profile is set for the input nodes, the setting is inherited from the setting on the message flow.

1. Switch to the Broker Application Development perspective.
2. In the Broker Development view, right-click the BAR file and then click **Open with > Broker Archive Editor**.
3. Click the **Manage and Configure** tab.
4. Click the flow or node on which you want to set the security profile. The properties that you can configure for the message flow or for the node are displayed in the **Properties** view.
5. In the **Security Profile Name** field, select a security profile that uses TFIM for authentication.
6. Save the BAR file.

For a SOAPInput node to use the identity in the WS-Security header (rather than an underlying transport identity) an appropriate policy set and bindings must also be defined and specified. For more information, see Policy sets.

If the message identity does not contain enough information for authentication, the information must be taken from the message body. For example, if a password is required for authentication but the message came from WebSphere MQ with only a username, the password information must be taken from the message body. For more information, see “Configuring identity extraction” on page 34.

## Configuring identity mapping

This topic explains how to configure a message flow to perform identity mapping.

### Before you start:

Before you can configure a message flow to perform identity mapping, you need to check that an appropriate security profile exists, or create a new security profile. See “Creating a security profile” on page 28.

Configure Tivoli Federated Identity Manager (TFIM) to map the incoming security token and, if required, to authenticate and authorize it. The security token is the X.509 Certificate, Username, or Username + Password. To configure TFIM to map the incoming security token, you need to create a custom module chain in TFIM, which performs the security operations. The TFIM configuration controls the token type that is returned from the mapping.

When you use TFIM for mapping, a request is made to the TFIM trust service with the following three parameters, which select the module chain:

- Issuer = Properties.IdentitySourceIssuedBy
- Applies To = The Fully Qualified Name of the Flow: *<Brokername>.<Execution Group Name>.<Message Flow Name>*
- Token = Properties.IdentitySourceToken

For information on how to configure TFIM, see the IBM Tivoli Federated Identity Manager information center.

Follow these steps to enable an existing message flow to perform identity mapping.

Using the Broker Archive editor, select a security profile that has mapping enabled. You can set a security profile on a message flow or on individual input nodes. If no security profile is set for the input nodes, the setting is inherited from the setting on the message flow.

1. Switch to the Broker Application Development perspective.
2. In the Broker Development view, right-click the BAR file and then click **Open with > Broker Archive Editor**.
3. Click the **Manage and Configure** tab.
4. Click the flow or node on which you want to set the security profile. The properties that you can configure for the message flow or for the node are displayed in the **Properties** view.
5. In the **Security Profile Name** field, enter the name of a security profile that has mapping enabled.
6. Save the BAR file.

## Configuring authorization

This topic explains how to configure a message flow to perform authorization on an identity.

### Before you start:

Before you can configure a message flow to perform authorization, you need to check that an appropriate security profile exists, or create a new security profile. See “Creating a security profile” on page 28.

You can use either Lightweight Directory Access Protocol (LDAP) or Tivoli Federated Identity Manager (TFIM) to perform authorization of an identity. For information about configuring authorization for LDAP or TFIM, see:

- “Configuring authorization with LDAP”
- “Configuring authorization with TFIM” on page 41.

### Configuring authorization with LDAP

This topic describes how to configure a message flow to perform authorization on an identity using Lightweight Directory Access Protocol (LDAP).

### Before you start:

Before you can configure a message flow to perform authorization, you need to check that an appropriate security profile exists, or create a new security profile. See “Creating a security profile for LDAP” on page 29.

When LDAP is used for authorization, the broker needs to determine whether the incoming username is a member of the given group. To do this, the broker requires the following information:

- To resolve the username to an LDAP entry, the broker needs to know the base distinguished name (Base DN) of the accepted login IDs. This is required to enable the broker to differentiate between different entries with the same name.

- To get an entry list from a group name, the group name must be the distinguished name of the group, not just a common name. An LDAP search is made for the group, and the username is checked by finding an entry matching the distinguished name of the user.
- If your LDAP directory does not permit login by unrecognized IDs, and does not grant search access rights on the subtree, you must set up a separate authorized login ID that the broker can use for the search. Use the `mqsisetdbparms` command to specify a username and password:

```
mqsisetdbparms -n ldap::LDAP -u username -p password
```

or

```
mqsisetdbparms -n ldap::<servername> -u username -p password
```

where `<servername>` is your base LDAP server name. For example: `ldap.mydomain.com`.

If you specify `ldap::LDAP`, it creates a default setting for the broker, which the broker attempts to use if you have not explicitly used the `mqsisetdbparms` command to create a login ID for a specific `<servername>`. All servers that do not have an explicit `ldap::servername` entry then start using the credentials in the `ldap::LDAP` entry. This means that any servers that were previously using anonymous bind by default will start using the details in `ldap::LDAP`.

The username that you specify in the `-u` parameter must be recognized by the LDAP server as a complete user name. In most cases this means that you need to specify the full DN of the user. Alternatively, by specifying a username to be anonymous, you can force the broker to bind anonymously to this LDAP server. This might be useful if you have specified a non-anonymous bind as your default (`ldap::LDAP`). For example:

```
mqsisetdbparms -n ldap::<servername> -u anonymous -p password
```

In this case, the value specified for *password* is ignored.

### Steps for enabling LDAP authorization:

To enable an existing message flow to perform authorization using LDAP, use the Broker Archive editor to select a security profile that has authorization enabled. You can set a security profile on a message flow or on individual input nodes. If no security profile is set for the input nodes, the setting is inherited from the setting on the message flow.

1. Switch to the Broker Application Development perspective.
2. In the Broker Development view, right-click the BAR file and then click **Open with > Broker Archive Editor**.
3. Click the **Manage and Configure** tab.
4. Click the flow or node on which you want to set the security profile. The properties that you can configure for the message flow or for the node are displayed in the **Properties** view.
5. In the **Security Profile Name** field, select a security profile that uses LDAP for authorization.
6. Save the BAR file.

For a SOAPInput node to use the identity in the WS-Security header (rather than an underlying transport identity) an appropriate policy set and bindings must also be defined and specified. For more information, see Policy sets.



## Configuring authorization with TFIM

This topic describes the steps involved in configuring a message flow to perform authorization on an identity using Tivoli Federated Identity Manager (TFIM).

### Before you start:

Before you configure a message flow to perform authorization with TFIM:

- Check that an appropriate security profile exists, or create a new security profile. See “Creating a security profile for TFIM” on page 32.
- Define the required users and groups in TFIM.

The broker security manager issues an authorization request to the TFIM trust service with the following three parameters, which select the TFIM module chain to be used:

- Issuer = Properties.IdentitySourceIssuedBy
- Applies To = The Fully Qualified Name of the Flow: *<Brokername>.<Execution Group Name>.<Message Flow Name>*
- Token = Properties.IdentitySourceToken

Authorization is performed with TFIM using an instance of the TFIM AuthorizationSTSModule in the selected module chain. The TFIM AuthorizationSTSModule must be set with Mode = Other. This AuthorizationSTSModule authorizes a user by checking an Access Control List (ACL) from Tivoli Access Manager (TAM). TFIM performs the authorization check by verifying that the action “i” (invoke) has been granted in an ACL for the WebService action group.

The ACL is found starting from the root of the TAM object space using a path formed from the Authorization module **Web service protected object name** parameter, followed by the **Port Type** and **Operation Name** from the authorization request. When the broker makes an authorization request to TFIM, the **Port Type** and **Operation Name** parameters have the following values:

- PortType:*<Message flow name>*
- Operation “MessageFlowAccess”

Therefore, the ACL is found at this location in the TAM object space:

```
/<WSProtectedObjectName>.<MessageFlowName>."MessageFlowAccess"
```

For more information about this process and the parameters, see “Authentication, Mapping, and Authorization with TFIM and TAM” on page 14.

### Steps for enabling TFIM authorization:

To enable an existing message flow to perform authorization with TFIM, use the Broker Archive editor to select a security profile that has authorization enabled. You can set a security profile on a message flow or on individual input nodes. If no security profile is set for the input nodes, the setting is inherited from the setting on the message flow.

1. Switch to the Broker Application Development perspective.
2. In the Broker Development view, right-click the BAR file and then click **Open with > Broker Archive Editor**.
3. Click the **Manage and Configure** tab.

4. Click the flow or node on which you want to set the security profile. The properties that you can configure for the message flow or for the node are displayed in the **Properties** view.
5. In the **Security Profile Name** field, select a security profile that has authorization enabled.
6. Save the BAR file.

For a SOAPInput node to use the identity in the WS-Security header (rather than an underlying transport identity) an appropriate policy set and bindings must also be defined and specified. For more information, see Policy sets.

In addition to configuring Message Broker to perform authorization with TFIM, you must configure TFIM and TAM. For information about how to do this, see the following topics:

- “Creating a module chain in TFIM”
- “Configuring TAM.”

For further information on how to configure TFIM, see the IBM Tivoli Federated Identity Manager information center.

### **Creating a module chain in TFIM:**

This topic describes how to create a module chain in Tivoli Federated Identity Manager (TFIM).

To enable Message Broker to use TFIM for authorization, you need to configure TFIM to process the security request from the message flow. To do this you need to create a module chain in TFIM to handle the request:

1. Create a *Custom* module chain, and ensure that the chain performs all the actions required (Authenticate, Map, Authorize).
2. Set the *Issuer* and *AppliesTo* properties of the module chain, so that it is invoked for the requests from the message flow. When the broker makes a request to TFIM, the **Port Type** and **Operation Name** parameters have the following values:
  - PortType:<Message flow name>
  - Operation "MessageFlowAccess"

The *RequestType* is always set to *Validate*.

3. To perform authorization in a module chain, add an instance of the Authorization module in *other* mode, which allows the module parameter **Web Service protected object name** to be set for the Tivoli Access Manager (TAM) configuration.

When you have created the module chain in TFIM, see “Configuring TAM” for information on how to configure TAM to process authorization requests from TFIM.

### **Configuring TAM:**

This topic describes how to configure Tivoli Access Manager (TAM) to enable authorization using Tivoli Federated Identity Manager (TFIM).

To configure TAM to process an authorization request from TFIM, complete the following steps. The examples relate to the TAM Version 6.01 pdadmin utility:

1. Check that the **action group** used by the TFIM authorization module is available. The action group used is *WebService*:  

```
action group list
```

 If *WebService* is not listed, create it:  

```
action group create WebService
```
2. Display the **action** in the action group used by the TFIM authorization module. The action used is "i":  

```
action list WebService
```

 If action "i" <label> 0 is not listed, create it. The value of <label> can vary:  

```
action create i <label> 0 WebService
```
3. Create the Access Control List (ACL) that will be used to grant access to one or more message flows. First, create the ACL and give the administrators access to it. In this example, iv-admin is the administration group and sec\_master is the main administrator:  

```
acl create <AclName>
acl modify <AclName> set Group iv-admin TcmdbsvaBRx1[WebService]i
acl modify <AclName> set User sec_master TcmdbsvaBRx1[WebService]i
```
4. Grant access to all authenticated users, or specific groups, by adding them to the ACL. Grant any authenticated identity access:  

```
acl modify <AclName> set Any-other Trx[WebService]i
```

 To add a specific group:  

```
acl modify <AclName> set group <GroupName> Trx[WebService]i
```
5. Define protected object spaces in TAM for authorization of message flows:
  - a. Create the *application container object* as the root of the protected object space. This is the name that is used to link an instance of a TFIM AuthorizationSTSModule (within a module chain) into the TAM object space. The container object name is specified to match the **Web Service protected object name** parameter on a TFIM Authorization module.  

```
objectspace create /<ContainerObjectName> <Description> 14
```
  - b. Create the container objects in the tree for each broker message flow that is being authorized. The message flow name is used by TFIM to locate a point in the TAM Object Space tree for Authorization, through the attached ACL. The message flow name is passed as the **PortType** in the WS-Trust request to TFIM. Use the following command to create the object tree node representing each flow to be authorized:  

```
object create /<ContainerObjectName>/<FlowName> <Description> 11 ispolicyattachable yes
```

 The **ispolicyattachable** parameter applies to all levels, so you can attach an ACL at any level.
  - c. Create the leaf object that represents the authorized object to grant access to the message flow. This is the fixed string *MessageFlowAccess*, which the broker sends to TFIM through the TFIM **OperationName** extension to the WS-Trust request. A fixed name (MessageFlowAccess) is used instead of a true operation name, because the broker does not necessarily know at the input node which operation a flow is going to perform. The command syntax is:  

```
object create /<ContainerObjectName>/<FlowName>/MessageFlowAccess <Description> 12 ispolicyattachable yes
```

 where <FlowName> has been created in a previous step.
6. Attach the ACL to the relevant node in the protected object space tree. Each node in the object space inherits ACLs from its parent, and a lower level ACL can override a higher level one. Use the following command syntax to attach an ACL to a node in the object space:

```
acl attach /<ObjectSpacePath> <AclName>
```

To attach an ACL to the leaf node:

```
acl attach /<ContainerObjectName>/<FlowName>/MessageFlowAccess <AclName>
```

For further information about configuring TAM, see the IBM Tivoli Access Manager information center.

## Configuring for identity propagation

This topic describes the steps involved in configuring a message flow to propagate a message identity.

### Before you start:

Before you can configure a message flow to perform identity propagation, you need to check that an appropriate security profile exists, or create a new security profile. See “Creating a security profile” on page 28.

To enable a message flow to perform identity propagation the input nodes must extract the identity and the output node must propagate it. An input node extracts security tokens if it is configured with a security profile at deployment time. An output node propagates an identity if it is configured with a security profile that enables propagation at deployment time.

To enable a message flow to perform identity propagation:

Using the Broker Archive editor, select a security profile that has identity propagation enabled. You can set a security profile on a message flow or on individual input and output nodes. If no security profile is set for the input and output nodes, the setting is inherited from the setting on the message flow.

1. Switch to the Broker Application Development perspective.
2. In the Broker Development view, right-click the BAR file and then click **Open with > Broker Archive Editor**.
3. Click the **Manage and Configure** tab.
4. Click the flow or node on which you want to set the security profile. The properties that you can configure for the message flow or for the node are displayed in the **Properties** view.
5. In the **Security Profile Name** field, select a security profile that has identity propagation enabled.
6. Save the BAR file.

For a SOAPRequest or SOAPAsyncRequest node, you can define an appropriate policy set and bindings to specify how the propagated identity is placed in the WS-Security header (rather than the underlying transport headers). For more information, see Policy sets.

If the message identity does not contain enough information for identity propagation, you can use any of the following methods to acquire the necessary information:

- Take the information from the message body. For example, if the message comes from WebSphere MQ with only a username token, and the output is an HTTP request node requiring a Username + Password token, the password might be present in the body of the incoming message. For more information, see “Configuring identity extraction” on page 34.

- Configure an identity mapper using TFIM. For more information, see the IBM Tivoli Federated Identity Manager information center.
- Use ESQL or Java to set the Mapped Identity fields in the Properties tree.

## Diagnosing security problems

This topic explains how to find out why access to a secured flow has been denied.

By default, security exceptions are not processed in the same way as other errors (see “Security exception processing” on page 16). Security exceptions are not logged to the system event log, to prevent a security denial of service attack filling the logs and destabilizing the system.

This means that, by default, you cannot diagnose security exceptions in the same way as other errors. To see what might be causing the security exceptions, you can do either of the following things:

- Select the **Treat Security Exceptions as normal exceptions** property on the input nodes.
- Use the user trace.

The following steps show you how to use the user trace to find out why access to a secured message flow has been denied:

1. Use the `mqsireloadsecurity` command to clear the security cache, so that the traced request goes to the security provider rather than using a result held in the cache. This ensures that the reason codes returned from the security provider are displayed in the traced exception.
2. Enable user trace for the message flow, using either the workbench or the `mqsichangetrace` command (see Starting user trace for more information).
3. Resend the request that has been rejected by the security provider.
4. Stop the user trace, using either the workbench or the `mqsichangetrace` command.
5. Use the `mqsireadlog` command to examine the trace information that was recorded by the user trace. This trace information contains the error codes provided by the broker and the security provider.

---

## Setting up broker domain security

There are a number of things you must consider when you are setting up security for a broker configuration running on Windows, Linux, or UNIX platforms.

For an introduction to various aspects of security, see “Security overview” on page 3.

This section does not apply to z/OS. Refer to “Setting up z/OS security” on page 71 and “Summary of required access (z/OS)” on page 634 for information about setting up broker domain security on z/OS.

Before you start setting up security for your broker domain, refer to “Planning for security when you install WebSphere Message Broker” on page 27, which contains links to security information that you need before, during, and after installation of WebSphere Message Broker.

You can use the following list of tasks as a security checklist. Each item comprises a list of reminders or questions about the security tasks to consider for your broker

configuration. The answers to the questions provide the security information that you need to configure your WebSphere Message Broker components and also give you information about other security controls that you might want to deploy.

- “Creating user IDs”
- “Considering security for a broker” on page 49
- “Considering security for a Configuration Manager” on page 51
- “Considering security for the workbench” on page 47
- “Configuring security for domain components” on page 54
- “Enabling topic-based security” on page 66
- “Using security exits” on page 69
- “Database security” on page 70

## Creating user IDs

When you are planning the administration of your broker configuration, consider defining user IDs for the following roles:

- Administrator user IDs that can issue mqsi\* commands. Refer to:
  - “Deciding which user accounts can process broker commands” on page 49
  - “Deciding which user accounts can execute User Name Server commands” on page 67
  - “Deciding which user accounts can process Configuration Manager commands” on page 52
- Service user IDs under which components run. Refer to:
  - “Deciding which user account to use for the broker service ID” on page 50
  - “Deciding which user account to use for the User Name Server service ID” on page 68
  - “Deciding which user account to use for the Configuration Manager service ID” on page 53

On all platforms, you must add broker service user IDs to the **mqbrkrs** local group.

- User IDs that access broker databases:
  1. Select the user IDs with which you intend to access the database used by your broker. Ensure that the user ID is not more than eight characters long. When you use a DB2® database, use a local user ID to access the database. If you create brokers in a domain environment where you use a domain user ID for the service user ID, set the database ID to a local ID that is authorized to access databases.
  2. Authorize your selected user IDs to access the broker and Configuration Manager databases. Refer to “Authorizing access to the databases” on page 120 for more information.
  3. When you create your broker, identify the selected user ID using the -u and -p options on the **mqsicreatebroker** command.
- Workbench users.
- Publishers and subscribers. Refer to “Enabling topic-based security” on page 66.

If you are running a Configuration Manager with one user ID and a broker with a different user ID on another system, you might see an error message when you deploy message flows and message sets to the broker. To avoid this, complete the following steps:

- Ensure that the broker’s user ID is a member of the **mqm** and **mqbrkrs** groups.

- Define the broker's user ID on the system on which the Configuration Manager is running.
- Define the Configuration Manager's user ID on the system on which the broker is running.
- Ensure that all IDs are in lowercase so that they are compatible between computers.

## Considering security for the workbench

Set up appropriate levels of security for the workbench.

Consider the following factors for deciding which users can take actions within the workbench:

1. "Are you running with domain awareness enabled?"
2. "Are you running with domain awareness disabled?" on page 48
3. "Securing the channel between the workbench and the Configuration Manager" on page 48

For the highest level of security, run with domain awareness enabled, and with security configured for the connection between the Configuration Manager and the workbench.

Ensure that the IDs of the users who run the workbench are not more than eight characters long.

### Are you running with domain awareness enabled?

Run with domain awareness enabled to flow the domain information with the user ID for a workbench user to the Configuration Manager for increased security. Assume that you are running the Configuration Manager on a computer named WKSTN1, which is a member of a domain named DOMAIN1. Users from DOMAIN2 also want to use the workbench. Complete the following steps:

1. Add any domain users or groups to the local group names that you use in your ACLs.
2. When you create the Configuration Manager, specify the `-m` option on the `mqsicreateaclentry` command to ensure that the domain is considered when verifying the user.

When you start the workbench, it automatically sends the domain information for your user ID to the Configuration Manager. Enable domain awareness in the Configuration Manager to access domain information.

If you are running a Configuration Manager with one user ID and a broker with a different user ID on another computer, you might see an error message when trying to deploy message flows and message sets to the broker. To avoid this problem:

- Ensure that the broker's user ID is a member of the `mqm` and `mqbrkrs` groups.
- Define the broker's user ID on the computer where the Configuration Manager is running.
- Define the Configuration Manager user ID on the computer where the broker is running.
- Ensure that all IDs are in lowercase so that they are compatible between computers.

Go to “Securing the channel between the workbench and the Configuration Manager.”

## Are you running with domain awareness disabled?

If you choose to disable domain awareness, domain information for the workbench user does not flow with the user ID information to the Configuration Manager, and security is therefore reduced.

You can specify the -a option on the mqsccreateaclentry command to allow a user to be verified without considering the domain.

To set domain awareness to disabled, answer the following questions:

1. Are your workbench users drawn from a local domain?
  - a. No: Go to the next question.
  - b. Yes: Add any users to the local groups that you use in your ACLs.  
Go to “Securing the channel between the workbench and the Configuration Manager.”
2. Are your workbench users drawn from another domain?
  - a. Yes: Make the other domain a trusted domain of the computer on which the Configuration Manager is running, then add the groups and users from the trusted domain to the local groups of the Configuration Manager.

## Securing the channel between the workbench and the Configuration Manager

If you want to secure the connection, you must update the configuration of the SVRCONN channel between the Configuration Manager and the workbench to include the security options you want.

When you create the Configuration Manager, a default SVRCONN channel, SYSTEM.BKR.CONFIG, is created; you can use this channel, or create a new one. If you use a different channel, you must set the new name in the domain connection properties.

Implement one or both of the following options:

- Implement SSL security on the channel. You must have the appropriate software to manage SSL certificate stores; for example, you can install either the WebSphere MQ Client or the Server, and use the IBM Key Management tools for the client (workbench). You can use either JKS or PKCS12 stores.
  - Use WebSphere MQ Explorer or the runmqsc command to update the SVRCONN definition to specify the required value in the SSLCIPH attribute.
  - In the workbench, switch to the Broker Administration perspective.
    - Right-click the domain connection and click **Properties**.
    - Select the cipher suite that matches the value you set for SSLCIPH.
    - Enter the full path and name for the Key Store and Trust Store, or click **Browse** to search for them.
  - Add the queue manager certificate to the workbench truststore.
  - If you want server-only (one way) certification, set the SVRCONN channel attribute SSLCAUTH to OPTIONAL.
  - If you want mutual (two way) certification:
    - Set the SVRCONN channel attribute SSLCAUTH to REQUIRED.



- Add the client (workbench) certificate to the queue manager's truststore.
- Start the domain connection in the workbench.

For further details about setting up SSL configuration, see "Enabling SSL on the WebSphere MQ Java Client" on page 57.

For more information about setting up connections secured with SSL, see the WebSphere MQ Java Client developerWorks® article.

- Create and enable a pair of security exits to run at the workbench and Configuration Manager ends of the SVRCONN channel that connects the two components. Program these exits to verify workbench users with the security manager on the computer on which the Configuration Manager is running.

For more information about creating and enabling security exits, refer to "Security exits" on page 20.

## Considering security for a broker

Several factors must be considered when you are deciding which users can execute broker commands and which users can control security for other broker resources.

When you are deciding which users are to perform the different tasks, consider the following steps:

1. "Deciding which user accounts can process broker commands"
2. "Deciding which user account to use for the broker service ID" on page 50
3. "Setting security on the broker's queues" on page 51
4. "Enabling topic-based security in the broker" on page 51
5. "Securing the broker registry" on page 51

### Deciding which user accounts can process broker commands

Decide which permissions are required for the user IDs that:

- Create, change, list, delete, start, and stop brokers
- Display, retrieve, and change trace information

Answer the following questions:

1. Is your broker installed on a Linux or UNIX operating system?
  - a. No: Go to the next question.
  - b. Yes: Ensure that your user ID has the following characteristics:
    - It is a member of the mqbrkrs group
    - If it will be used to create or delete a broker, it must be a member of the mqm group
 Go to "Deciding which user account to use for the broker service ID" on page 50.
2. Are you processing broker commands under a Windows local account?
  - a. No: Go to the next question.
  - b. Yes: Assume that your local account is on a computer named, for example, WKSTN1.
 

Ensure that your user ID has the following characteristics:

    - It is a member of the mqbrkrs group.
    - If it will be used to create a broker, the user ID must be defined in your local domain.

- If it will be used to create or start a broker, the user ID must be a member of the Administrators group (for example, WKSTN1\Administrators).
- If it will be used to create or delete a broker, the user ID must be a member of the mqm group.

Go to “Deciding which user account to use for the broker service ID.”

3. Are you processing broker commands under a Windows domain account?
  - a. Yes: Assume that your computer named, for example, WKSTN1, is a member of a domain named DOMAIN1.

Ensure that the user ID has the following characteristics:

- It is a member of the mqbrkrs group.
- If it will be used to create a broker, the user ID must be defined in your local domain.
- If it will be used to create or start a broker, the user ID must be a member of the Administrators group. For example, if you create a broker using DOMAIN1\user1, ensure that DOMAIN1\user1 is a member of WKSTN1\Administrators.
- If it will be used to create or delete a broker, the user ID must be a member of the mqm group.

Go to “Deciding which user account to use for the broker service ID.”

## Deciding which user account to use for the broker service ID

When you run the mqsisstart command with a user ID that is a member of the mqm and mqbrkrs groups, the user ID under which you run the mqsisstart command becomes the user ID under which the broker component process will run.

Answer the following questions:

1. Is your broker installed on a Linux or UNIX operating system?
  - a. No: Go to the next question.
  - b. Yes: Ensure that the user ID is a member of the mqbrkrs group.  
Go to “Setting security on the broker’s queues” on page 51.
2. Do you have any existing brokers running on this Windows system?
  - a. No: You can choose a service ID for the broker. Go to the next question.
  - b. Yes: On the Windows platform, all brokers must run with the same service ID. Use your existing service ID when you create the new broker.
3. Do you want your broker to run under a Windows local account?
  - a. No: Go to the next question.
  - b. Yes: Ensure that your user ID has the following characteristics:
    - It is defined in your local domain.
    - It is a member of the mqbrkrs group.
    - It has been granted the *Logon as a service* privilege in the Local Security Policy in Windows, which you can access by selecting **Control Panel** → **Performance and maintenance** → **Administrative Tools** → **Local Security Policy**.
 Go to “Setting security on the broker’s queues” on page 51.
4. Do you want your broker to run under a Windows domain account?

- a. Yes: Assume that your computer named, for example, WKSTN1, is a member of a domain named DOMAIN1. When you run a broker using, for example, DOMAIN1\user1, ensure that:
  - Your user ID has been granted the Logon as a service privilege (from the Local Security Policy).
  - DOMAIN1\user1 is a member of DOMAIN1\Domain mqbrkrs.
  - DOMAIN1\Domain mqbrkrs is a member of WKSTN1\mqbrkrs.
  - The user ID has been granted the *Logon as a service* privilege in the Local Security Policy in Windows, which you can access by selecting **Control Panel** → **Performance and maintenance** → **Administrative Tools** → **Local Security Policy**.

Go to “Setting security on the broker’s queues.”

## Setting security on the broker’s queues

When you run the mqsicreatebroker command, the local mqbrkrs group is granted access to internal queues whose names begin with the characters SYSTEM.BROKER. Do not change this ACL because it is required for the broker to function correctly.

The Configuration Manager controlling the broker puts messages to SYSTEM.BROKER.ADMIN.QUEUE. If your Configuration Manager is on the same computer as your broker, its service ID will be in the mqbrkrs group, therefore no further action is required. If the Configuration Manager is on a different computer, ensure that its service ID is defined to the computer that is running the broker, and ensure that it has WebSphere MQ access to put messages to SYSTEM.BROKER.ADMIN.QUEUE.

If you use collectives for publish/subscribe, other brokers in your domain must put messages to SYSTEM.BROKER.INTERBROKER.QUEUE. Therefore their service IDs require authority to put messages to that queue.

## Enabling topic-based security in the broker

Perform this task by responding to the following question:

Do you want to enable topic-based security in the broker?

1. Yes: Go to “Enabling topic-based security” on page 66.
2. No: Go to “Considering security for a Configuration Manager.”

## Securing the broker registry

The broker registry (in the Windows registry or UNIX file system) must be further secured. Set the following keys so that only the service user ID can read or write it:

- <brokername>/CurrentVersion/DSN (including all sub-keys)
- <brokername>/CurrentVersion/ServicePassword (including all sub-keys)
- <brokername>/CurrentVersion/DataSourcePassword (including all sub-keys)

## Considering security for a Configuration Manager

Determine the security characteristics and group membership required for user IDs to perform tasks associated with the Configuration Manager.

Consider the characteristics and group membership required for user IDs that perform the following functions:

- Run as a service user ID (running the Configuration Manager)
- Process Configuration Manager commands
- Access the Configuration Manager queues.

An ACL is associated with the Configuration Manager itself. Users or groups that have full-control membership of the Configuration Manager's ACL implicitly have full-control membership of all other ACLs. Full-control membership of the Configuration Manager's ACL also allows users or groups to modify the ACLs for any object, including the Configuration Manager.

Read the appropriate sections in this list:

1. "Deciding which user accounts can process Configuration Manager commands"
2. "Deciding which user account to use for the Configuration Manager service ID" on page 53
3. "Setting security on the Configuration Manager's queues" on page 53
4. "Running the Configuration Manager in a domain environment" on page 54

### **Deciding which user accounts can process Configuration Manager commands**

During this task you decide what permissions are required for the user IDs that:

- Create, change, list, delete, start, and stop a Configuration Manager
- Display, retrieve, and change trace information.

Answer the following questions:

1. Is your Configuration Manager running on a Linux or UNIX operating system?
  - a. No: Go to the next question.
  - b. Yes: Ensure that your user ID is a member of the mqbrkr group.  
Go to "Deciding which user account to use for the Configuration Manager service ID" on page 53
2. Are you running Configuration Manager commands under a Windows local account?
  - a. No: Go to the next question.
  - b. Yes: Assume that your local account is on a computer named, for example, WKSTN1. When you create a Configuration Manager, ensure that your user ID is defined in your local domain. When you create or start a Configuration Manager, ensure that your user ID is a member of WKSTN1\Administrators.  
Go to "Deciding which user account to use for the Configuration Manager service ID" on page 53
3. Are you running Configuration Manager commands under a Windows domain account?
  - a. Yes: Assume that your computer named, for example, WKSTN1, is a member of a domain named DOMAIN1. When you create a Configuration Manager using, for example, DOMAIN1\user1, ensure that DOMAIN1\user1 is a member of WKSTN1\Administrators.  
Go to "Deciding which user account to use for the Configuration Manager service ID" on page 53

## Deciding which user account to use for the Configuration Manager service ID

When you run the `mqstart` command with a user ID that is a member of the `mqm` and `mqbrkr` groups, the user ID under which you run the `mqstart` command becomes the user ID under which the Configuration Manager component process will run.

Answer the following questions:

1. Is your Configuration Manager running on a Linux or UNIX operating system?
  - a. No: Go to the next question.
  - b. Yes: Ensure that your user ID is a member of the `mqbrkr` group.  
Go to "Setting security on the Configuration Manager's queues."
2. Do you want your Configuration Manager to run under a Windows local account?
  - a. No: Go to the next question.
  - b. Yes: Ensure that your user ID has the following characteristics:
    - It is defined in your local domain
    - It is a member of the `mqbrkr` group
    - It is a member of the `mqm` group
    - It is a member of the Administrators group
    - It has been granted the *Logon as a service* privilege in the Local Security Policy in Windows, which you can access by selecting **Control Panel > Performance and maintenance > Administrative Tools > Local Security Policy**.Go to "Setting security on the Configuration Manager's queues."
3. Do you want your Configuration Manager to run under a Windows domain account?
  - a. Yes: Assume that your computer named, for example, `WKSTN1`, is a member of a domain named `DOMAIN1`. When you run a Configuration Manager using, for example, `DOMAIN1\user1`, ensure that:
    - 1) `user1` is defined in `DOMAIN1`
    - 2) `DOMAIN1\user1` is a member of `DOMAIN1\Domain mqbrkr`
    - 3) `DOMAIN1\user1` is a member of `WKSTN1\mqm`
    - 4) `DOMAIN1\Domain mqbrkr` is a member of `WKSTN1\mqbrkr`
    - 5) `DOMAIN1\user1` is a member of `WKSTN1\Administrators`
    - 6) The user ID (`user1`) has been granted the *Logon as a service* privilege in the Local Security Policy in Windows, which you can access by selecting **Control Panel > Performance and maintenance > Administrative Tools > Local Security Policy**.Go to "Setting security on the Configuration Manager's queues."

## Setting security on the Configuration Manager's queues

When you run the `mqcreateconfigmgr` command, the `mqbrkr` group is granted access authority to the following queues:

```
SYSTEM.BROKER.CONFIG.QUEUE
SYSTEM.BROKER.CONFIG.REPLY
SYSTEM.BROKER.ADMIN.REPLY
SYSTEM.BROKER.SECURITY.QUEUE
```

SYSTEM.BROKER.MODEL.QUEUE.

Brokers and User Name Servers communicate with the Configuration Manager through these queues. If they run on the same computer as the Configuration Manager, you do not need to do anything else to enable them to communicate. However, if they are running on a different computer, you must ensure that their service ID exists on the computer that is running the Configuration Manager, and either add that user account to the mqbrkr group or grant it explicit MQ access to put messages to the Configuration Manager's queues.

Administrators using either commands or the Toolkit need the authority to put messages to the Configuration Manager's queues. You can use the mqsicreateaclentry command to create the required access to WebSphere MQ.

Go to "Running the Configuration Manager in a domain environment."

### **Running the Configuration Manager in a domain environment**

- If you want to *enable* domain awareness, go to "Are you running with domain awareness disabled?" on page 48.
- If you want to *disable* domain awareness, go to "Are you running with domain awareness enabled?" on page 47.

## **Configuring security for domain components**

Configure access control lists (ACLs) to control access to runtime resources.

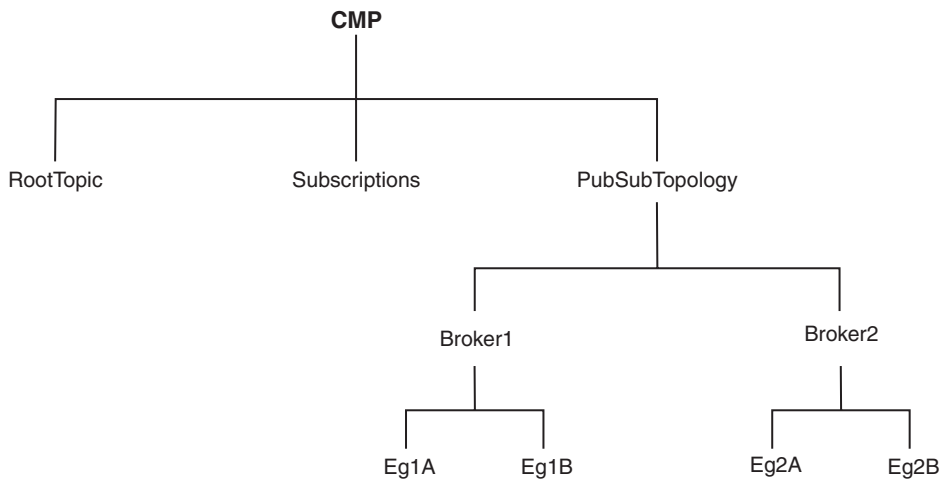
When you have created the runtime resources (for example, the brokers and execution groups) and secured the transport connection, you need to configure access control lists (ACLs) to control which objects can be accessed by which user IDs. Default access, which you have until you have configured the ACLs, is Full control access for the Configuration Manager service ID only.

To configure your ACLs:

1. Decide which objects you want to control, by referring to the hierarchy of ACLs that can be defined.
2. Use the mqsicreateaclentry command to define permissions for each object that requires non-default access.
3. Optional: If you are a publish/subscribe user, you can define other ACLs for application-level access to publish and subscribe on specified topics. These are also controlled using the mqsicreateaclentry command, but are not needed for administration.

When the ACLs have been configured, users of the workbench and commands are able to work with objects in the domain. The control that the users have over the objects (Full control, View, Deploy, or Edit) depends on the access that you have granted to them in the access control list entries.

The following diagram shows an example hierarchy of access control list entries:



The following examples show how this hierarchy works in practice.

### Example 1

UserA has no access control entries. Therefore, UserA cannot manipulate any objects in the hierarchy, or see any of the objects defined in it.

### Example 2

UserB has an ACL entry that gives Deploy authority to the execution group Eg1A. This entry gives UserB implied View authority to PubSubTopology and Broker1. UserB must be able to view PubSubTopology and Broker1 (for example, in the Message Broker Toolkit) to be able to deploy to Eg1A.

Because UserB does not have any ACL entries for PubSubTopology or Broker1, UserB does not inherit access to the other broker or execution groups in the hierarchy. In practice, this means that UserB can see that there is another execution group defined on the broker Broker1 but cannot see any details (including the name of the execution group). Similarly, UserB can see that another broker exists within the topology, but cannot see any details. UserB has no access to RootTopic or to Subscriptions (the subscriptions table).

The following command creates the ACL entry for UserB:

```
mqscreateaclentry testcm -u UserB -a -x D -b Broker1 -e Eg1A
```

The `mqslistaclentry` command then displays the following information:

```
BIP1778I: userb -USER - D - Broker1/Eg1A - ExecutionGroup
```

### Example 3

UserC has an ACL entry that gives View authority for the Configuration Manager Proxy (CMP), and an ACL entry that gives Full authority for Broker1. These entries give UserC the following authorities:

```
CMP    View
RootTopic View
Subs   View
```

Topology View  
Broker1 Full  
Eg1A Full  
Eg1B Full  
Broker2 View  
Eg2A View  
Eg2B View

The following commands create the ACL entries for UserC:

```
mqsicreateaclentry testcm -u UserC -a -x V -p  
mqsicreateaclentry testcm -u UserC -a -x F -b Broker1
```

The `mqsilistaclentry` command then displays the following information:

```
BIP1778I: userc - USER - V - ConfigManagerProxy - ConfigManagerProxy  
BIP1778I: userc - USER - F - Broker1 - Broker
```

#### Example 4

UserD has an ACL entry that gives Full control authority for the CMP, and an ACL entry that gives View authority for Broker1. The View authority to access Broker1 means that UserD does not inherit Full control authority for Broker1. This use of View ACL entries is useful because it allows users who usually have full control over a given object to reduce their access temporarily, to prevent accidental deletion or deployment. If users need full control of the object, removing the View entry restores Full control authority, so that they can perform the operations that they need, and then restore the View entry. UserD has the following authorities:

CMP Full  
RootTopic Full  
Subs Full  
Topology Full  
Broker1 View  
Eg1A View  
Eg1B View  
Broker2 Full  
Eg2A Full  
Eg2B Full

The following commands create the ACL entries for UserD:

```
mqsicreateaclentry testcm -u UserD -a -x F -p  
mqsicreateaclentry testcm -u UserD -a -x V -b Broker1
```

The `mqsilistaclentry` command then displays the following information:

```
BIP1778I: userd - USER - F - ConfigManagerProxy - ConfigManagerProxy  
BIP1778I: userd - USER - V - Broker1 - Broker
```

The following command can then delete the ACL entries for UserD:

```
mqsideleteaclentry testcm -u UserD -a -b Broker1
```

## Changing the security domain for the User Name Server

You can change the security domain only if you are not using domain awareness. To change the security domain currently in use for your User Name Server, use the “`mqsicchangeusernameserver` command” on page 474.



## Implementing SSL authentication

The following topics contain instructions for implementing SSL authentication:

- “Enabling SSL on the WebSphere MQ Java Client”
- “Enabling SSL for the Real-time nodes” on page 58
- “Configuring HTTPInput and HTTPReply nodes to use SSL (HTTPS)” on page 61
- “Configuring an HTTPRequest node to use SSL (HTTPS)” on page 64

### Enabling SSL on the WebSphere MQ Java Client

The WebSphere MQ Java Client supports SSL-encrypted connections over the server-connection (SVRCONN) channel between the application and the queue manager. This topic tells you how to make use of this SSL support when communicating between the Configuration Manager Proxy (CMP) and the Configuration Manager.

For one-way authentication (with the client (Configuration Manager Proxy) authenticating the server (Configuration Manager) only) perform the following steps:

1. Generate or obtain all the appropriate keys and certificates. This includes a signed pkcs12 certificate for the server and the appropriate public key for the certificate authority that signed the pkcs12 certificate.
2. Add the pkcs12 certificate to the queue manager certificate store and assign it to the queue manager. Use the standard WebSphere MQ facilities, for example, WebSphere MQ Explorer (for WebSphere MQ Version 6) or WebSphere MQ Services (for WebSphere MQ Version 5).
3. Add the certificate of the certificate authority to the JSEE truststore of the Java Virtual Machine (JVM) at the Configuration Manager Proxy end using a tool such as Keytool.
4. Decide which cipher suite to use.
5. Change the properties on the server-connection channel using WebSphere MQ Explorer, to specify the cipher suite to be used. This channel has a default name of SYSTEM.BKR.CONFIG and this name is used unless you have specified a different name on the Create a Domain Connection panel or Domain Properties panel ; see “Creating a domain connection” on page 246 and “Modifying domain connection properties” on page 248.
6. Add the required parameters (cipher suite, for example) to the Configuration Manager Proxy. If a truststore other than the default is used, its full path must be passed in via the truststore parameter.

When you have performed these steps, the Configuration Manager Proxy will connect to the Configuration Manager if it has a valid signed key that has been signed by a trusted certificate authority.

For two-way authentication (with the Configuration Manager also authenticating the Configuration Manager Proxy) perform the following additional steps:

1. Generate or obtain all the appropriate keys and certificates. This includes a signed pkcs12 certificate for the client and the appropriate public key for the certificate authority that signed the pkcs12 certificate.
2. Add the certificate of the certificate authority to the queue manager certificate store; use the standard WebSphere MQ facilities (for example, WebSphere MQ Explorer for WebSphere MQ Version 6).

3. Set the server-connection channel to always authenticate. You can use `SSLCAUTH(REQUIRED)` in `runmqsc`, or WebSphere MQ Explorer.
4. Add the pkcs12 certificate to the JSEE keystore of the JVM at the Configuration Manager Proxy end using a tool such as Keytool.
5. If not using the default keystore, its full path must be passed into the Configuration Manager Proxy via the `keystore` parameter

When you have performed these steps, the Configuration Manager allows the Configuration Manager Proxy to connect only if the Configuration Manager Proxy has a certificate signed by one of the certificate authorities in its keystore.

Further restrictions can be made using the `sslPeerName` field; for example, you can allow connections only from certificate holders with a specific company or department name in their certificates. In addition, you can invoke a security exit for communications between the Configuration Manager Proxy and the Configuration Manager; see “Using security exits” on page 69.

### Enabling SSL for the Real-time nodes

Use optional authentication services between JMS clients and `Real-timeInput` and `Real-timeOptimizedFlow` nodes.

In a default configuration, SSL authentication services are disabled.

To configure the product to use the SSL authentication services, complete the following steps:

- Configure and start a User Name Server in a broker domain.
- Configure each `Real-timeInput` node to use authentication, and set your chosen authentication protocol in each of the brokers that is to use the authentication services.
- Edit a file that specifies client user IDs and passwords.
- Specify the names of the files that are required to implement the SSL protocol.
- For `Real-time` nodes when using multiple execution groups, set the `sslKeyRingFile` and `sslPassphraseFile` properties on each execution group separately using the `mqsicchangeproperties` command.

#### Configuring the User Name Server:

The User Name Server distributes to the brokers passwords that are required to support these authentication protocols.

To configure the User Name Server to support authentication, specify the following two parameters on either the `mqsicreateusernameserver` or the `mqsicchangeusernameserver` command:

- `AuthProtocolDataSource` describes the location of an local file that contains the information that is required to support the authentication protocols.
- The `-j` flag indicates whether the file that is pointed to by the `AuthProtocolDataSource` parameter contains group and group membership information in addition to password information.
- Set the `-j` flag if you want to support both authentication and publish/subscribe access control in your broker domain, and you want to draw user and group information from a file rather than from the operating system.
- Use the `AuthProtocolDataSource` parameter to specify the source of any protocol-related information. For example, you can specify the name of a file

that contains user ID and password information. The user ID and password information in this file must exactly mirror the operating system user ID and password definitions. Make sure that you set the appropriate file system security for this password file.

- The default location of this file is the WebSphere Message Broker home directory. If you store the file in another location, specify the full path definition of the location of the file.
- Stop and restart the User Name Server to implement the changes.

Use the `-d` flag on the `mqschangeusernameserver` command to disable this option.

### Configuring a broker:

Configure a broker to support WebSphere Message Broker authentication services. Specify two authentication and access control parameters and use the workbench to configure the appropriate Real-timeInput nodes and the sets of protocols that are to be supported on the broker.

The following steps show you how to do this.

1. Switch to the Broker Application Development perspective.
2. For each message flow in the Message Flow Topology:
  - a. Select the Real-timeInput or Real-timeOptimizedFlow node to open the Properties view. The node properties are displayed.
  - b. Select **Authentication**.
3. For each broker in the Broker Topology:
  - a. Select the broker to open the Properties view. The broker properties are displayed.
  - b. Enter the required value in **Authentication Protocol Type**.

Choose any combination of the options P, M, S, and R; for example, S, SR, RS, R, PS, SP, PSR, SRM, MRS, and RSMP are all valid combinations of options.

The order in which you specify the options is significant; the broker chooses the first option that the client supports. If you want the broker always to support the strongest protocol that the client supports, choose RSMP.

- c. If you have chosen S or R as one of the options in **Authentication Protocol Type**, specify the **SSL Key Ring File Name** and the **SSL Password File Name**.
- d. Click **OK**.
- e. Use the `mqscreatebroker` or `mqschangebroker` command, with the following two parameters, to configure the broker:

#### **UserNameServerQueueManagerName (-s)**

This parameter defines the name of the queue manager that it associated with the User Name Server. Specify this parameter if you require authentication services, publish/subscribe access control services, or both.

#### **Publish/Subscribe Access Control Flag (-j)**

Set this flag in addition to specifying the **UserNameServerQueueManagerName** parameter if you want to use publish/subscribe access control services.

Use of the authentication services in the broker is enabled at the IP input node level, not by a parameter on these commands.

### Sample password files:

Two sample files, password.dat and pwgroup.dat, are supplied with WebSphere Message Broker.

- pwgroup.dat is a sample file that can be used when you set the -j flag.
- password.dat is a sample file that can be used in the default case.

The file password.dat has the following layout:

```
# This is a password file.

# Each line contains two required tokens delimited by
# commas. The first is a user ID, the second is that user's
# password.

#USERNAME PASSWORD
=====
subscriber,subpw
admin,adminpw
publisher,pubpw
```

This file complements the user and group information that is retrieved by the User Name Server from the operating system. User names that are defined in the file, but are not defined in the operating system, are treated as unknown by the broker domain. User names that are defined in the operating system, but are not defined in the password file, are denied access to the system.

The file pwgroup.dat contains group information in addition to user and password information. Each user entry includes a list of group names that specify the groups that contain the user.

The file pwgroup.dat has the following layout:

```
#This is a password file.
#Each line contains two or more required tokens delimited by
#commas.The first is a user ID and the second is that user's
#password. All subsequent tokens
#specify the set of groups that the user belongs to.

#USERNAME PASSWORD GROUPS
subscriber,subpw,group1,group2,group3
admin,adminpw,group2
publisher,pubpw,group2,group4
```

As mentioned above, this file can be used to provide the only source of user, group, and password information for the broker domain.

To deploy updated user and password information to the broker network if this information is drawn from an operating system file, stop the User Name Server and the brokers, update the file, and then restart the User Name Server and the brokers.

If passwords are drawn from the operating system, updates are automatically distributed to the brokers. Use normal operating system management tools to change users or passwords.

### Authentication in the JMS client:

For client applications that use WebSphere MQ classes for Java Message Service Version 6.0 or later, the client application supports two levels of authentication.

You can configure a *TopicConnectionFactory* to support either a MQJMS\_DIRECTAUTH\_BASIC authentication mode or a MQJMS\_DIRECTAUTH\_CERTIFICATE authentication mode. The MQJMS\_DIRECTAUTH\_BASIC authentication mode is equivalent to a level of PM, and the MQJMS\_DIRECTAUTH\_CERTIFICATE authentication mode is equivalent to a level of SR.

If you have successfully configured authentication services for a Real-timeInput node, a JMS client application must specify its credentials when creating a connection. To make a connection for this configuration, the JMS client application supplies a user ID and password combination to the *TopicConnectionFactory.createTopicConnection* method; for example:

```
factory.createTopicConnection("user1", "user1pw");
```

If the application does not specify these credentials, or specifies them incorrectly, it receives a JMS wrapped exception containing the MQJMS error text.

## Configuring HTTPInput and HTTPReply nodes to use SSL (HTTPS)

Configure the HTTPInput and HTTPReply nodes to communicate with other applications using HTTPS by creating a key store file, configuring the broker to use SSL, and creating a message flow to process HTTPS requests.

Follow these steps to configure the HTTPInput and HTTPReply nodes to communicate with other applications using HTTP over SSL:

1. "Create a key store file to store the broker's certificates"
2. "Configuring the broker to use SSL on a particular port" on page 62
3. "Creating a message flow to process HTTPS requests" on page 63
4. "Testing your example" on page 63

### Create a key store file to store the broker's certificates:

WebSphere Message Broker includes a Java Runtime Environment (JRE) that supplies a keystore manipulation program, which is called keytool. To invoke this command complete the following steps:

1. Select **Start** → **IBM WebSphere Message Broker 6.1** → **Command Console** to open the broker command console.
2. In the command console, type the following command:  

```
"%MQSI_FILEPATH%\jre\bin\keytool"
```

This displays the help options and therefore validates that the command is working.

3. Use the keytool command to create the key store and generate a new self-signed certificate (or key pair):
  - a. In the command console, type the following command:  

```
"%MQSI_FILEPATH%\jre\bin\keytool" -genkey -keystore keystore file -storepass password -alias mykey
```

where *keystore file* is the fully qualified name of the key store file, *password* is the password used for the key store, and *mykey* is the name (or label) given to the new key pair that is being generated. The key store file is typically called .keystore and is located in the WebSphere Message Broker home directory.

- b. Enter the personal details that are required to generate the certificates.

- c. When you are prompted to enter a key password for the alias, press **Enter** to use the same password as the key store. The key store is either generated or updated (if it already exists).

This command creates a key store of type JKS, which is the only store type supported by the broker.

You can set these parameters to any values, but the properties on the broker must be changed to reflect them.

The **-genkey** parameter generates all the certificate files necessary to enable HTTPS to work for testing purposes, but they are not suitable for use in a production system. You must purchase an official certificate from a certification authority. Consult your system administrator to check your company policy for certificate creation.

To import a certificate generated by a certification authority, use the **-import** parameter instead of the **-genkey** parameter.

You must ensure that the server key and the cipher that you are using are compatible with each other. For example, if the server is using a DSA key, and the client is using a `SSL_DHE_RSA_WITH_AES_128_CBC_SHA` cipher, you need to use an RSA key on the server.

To change the server key to RSA, add the following parameter to the `keytool` command before the **-alias** parameter:

```
-keyalg RSA
```

The keystore is now created and is ready for use by the broker.

### Configuring the broker to use SSL on a particular port:

The broker requires several properties to be set to make use of HTTP over SSL. All of these properties can be changed using the `mqsichangeproperties` command. Change the properties as follows:

- Choose the key store file to be used, by setting a value for **keystoreFile**  

```
mqsichangeproperties broker name -b http listener -o HTTPSConnector  
-n keystoreFile -v fully qualified file path to keystore file
```
- Specify the password for the keystore file, by setting a value for **keystorePass**  

```
mqsichangeproperties broker name -b http listener -o HTTPSConnector  
-n keystorePass -v password for keystore
```
- Specify the **port** on which WebSphere Message Broker will listen for HTTPS requests  

```
mqsichangeproperties broker name -b http listener -o HTTPSConnector  
-n port -v Port to listen on for https
```
- Turn on SSL support in message broker, by setting a value for **enableSSLConnector**  

```
mqsichangeproperties broker name -b http listener -o HTTPListener  
-n enableSSLConnector -v true
```

Ensure that each of these properties is set with correct values for your system. Only the **enableSSLConnector** property must be set; the other three properties have default values. The `mqsichangeproperties` command lists the default values for all the properties.

On UNIX systems, only processes that run under a privileged user account (in most cases, `root`) can bind to ports lower than 1024. For the broker to listen on these ports, the broker's service user ID must be `root`.

### Creating a message flow to process HTTPS requests:

You can create a simple message flow to use HTTPS by connecting an HTTPInput node to an HTTPReply node. The two most important properties to set on the HTTPInput node are:

- **Path suffix for URL.** For example /\* or /testHTTPS
- **Use HTTPS.**

/\* means that the HTTPInput node will match against any request that is sent to the HTTP listener on a designated port. This is useful for testing purposes, but is not recommended for production systems.

You can now deploy the message flow to the broker. If all other steps have been followed up to this point, a BIP3132 message appears in the local system log (which is the event log on Windows) stating that the HTTPS listener has been started.

You can now test the system.

### Testing your example:

The simplest method of testing whether HTTPS is configured correctly is to use a Web browser to make a request to the broker over HTTPS.

Start a Web browser and enter the following URL:

```
https://localhost:7083/testHTTPS
```

Change any values in the URL to reflect changes that you have made in your broker configuration. When a window is displayed asking you to accept the certificate, select **Yes**. The browser refreshes the window and displays an empty HTML page. In Mozilla browsers the empty HTML page looks like the following example:

```
<html>  
  <body/>  
</html>
```

and in Internet Explorer the following information is displayed:

```
XML document must have a top level element. Error processing resource  
'https://localhost:7083/testHTTPS'
```

These responses mean that a blank page was returned, indicating that the setup worked correctly. To add content to the empty page, you can add a compute node to the flow.

You can use another HTTPS client to process HTTPS requests. Read the documentation for the client to find out how to configure it to make client connections over SSL.

You can also use another HTTPS client, such as a Java or .net client, instead of the Web browser. Depending on the type of client, you might need to export the certificate (which was created with keytool) from the HTTP listener's key store file and then import it into the client's key store. Read the client documentation to find out how to configure the client to make client connections over SSL.

## Configuring an HTTPRequest node to use SSL (HTTPS)

Configure the HTTPRequest node to communicate with other applications using HTTP over SSL by adding certificates to the cacerts file and creating a message flow to make HTTP requests.

This topic describes the steps that you need to follow when configuring an HTTPRequest node on a Windows system, but the steps that you would need to follow on other platforms are almost identical.

To enable an HTTPRequest node to communicate using HTTP over SSL, an HTTPS server application is required. The information provided in this topic shows how to use the HTTPInput node for SSL as the server application, but the same details also apply when you are using any other server application.

Complete these sub-tasks to configure an HTTPRequest node to communicate with other applications using HTTP over SSL:

1. "Adding certificates to the cacerts file"
2. "Creating a message flow to make HTTPS requests" on page 65
3. "Testing your example" on page 66.

### Adding certificates to the cacerts file:

The certificate for the server application to be called (and trusted) must be added to the cacerts file for WebSphere Message Broker. This is the default trust store for the broker and is located in the broker's JRE security directory. To find the cacerts file on Windows:

1. Select **Start** → **IBM WebSphere Message Broker 6.1** → **Command Console** to open a broker command console.
2. In the command console, type the following command to change to the directory in which the cacerts files is stored:  
`cd "%MQSI_FILEPATH%\jre\lib\security"`

On UNIX systems, the cacerts file is stored in the following directory:

```
/opt/IBM/mqsi/6.1/jre15/ppc64/lib/security
```

or

```
$MQSI_FILEPATH/jre15/ppc64/lib/security
```

### Importing a certificate into the cacerts file

Use the keytool command to modify the cacerts file:

1. Select **Start** → **IBM WebSphere Message Broker 6.1** → **Command Console** to open a broker command console.
2. In the command console, type the following command:  
`"%MQSI_FILEPATH%\jre\bin\keytool" -import -alias mykey  
-file name of certificate file -keystore cacerts  
-storepass changeit`

*name of certificate file*

the fully qualified name of the certificates file. This file is typically found in the message broker user's home directory.

**changeit**

the default password for the cacerts file. You can use keytool to change



the password, but, because it is not a configurable property of the broker, the broker always attempts to access the cacerts file using the default password change it.

If you must change the cacerts password, or if you must use a different trust store, you can pass the information to the broker's JVM by setting the following environment variable:

#### On Windows, AIX, and Linux:

```
IBM_JAVA_OPTIONS=  
-Djavax.net.ssl.trustStore=<trustStore_path>/<trustStore_filename>  
-Djavax.net.ssl.trustStorePassword=<trustStore_password>
```

#### On Solaris and HP-UX:

```
_JAVA_OPTIONS=  
-Djavax.net.ssl.trustStore=<trustStore_path>/<trustStore_filename>  
-Djavax.net.ssl.trustStorePassword=<trustStore_password>
```

Be careful when using this environment variable, because if the setting is not valid, the broker's execution groups might be unable to create their JVM, and therefore will not be able to start successfully. Do not use the IBM\_JAVA\_OPTIONS (or \_JAVA\_OPTIONS) environment variable if you are also using SSL authentication with Real-time nodes, or with the WebSphere MQ Java Client.

### Extracting a certificate from another keystore

1. Select **Start** → **IBM WebSphere Message Broker 6.1** → **Command Console** to open a broker command console.

2. In the command console, type the following command:

```
"%MQSI_FILEPATH%\jre\bin\keytool" -export -alias mykey  
-file name of certificate file -keystore keystore file  
-storepass password
```

*name of certificate file*

the fully qualified name of the certificate file. This file is typically called .keystore and is usually located in the message broker users home directory.

*keystore file*

the fully qualified name of the keystore file. This file is normally found in the message broker users home directory.

**mykey** the alias name for the key store entry (certificate).

**changeit**

the password for the key store file.

It is important that the correct certificate (which the HTTP server uses to present its authentication credentials) is imported into the cacerts file.

### Creating a message flow to make HTTPS requests:

The following message flow creates a generic message flow for converting a WebSphere MQ message into an HTTPRequest.:

1. Create a message flow with the nodes MQInput->HTTPRequest->Compute->MQOutput.
2. For the MQInput node, set the queue name to HTTPS.IN1 and create the MQSeries queue.
3. For the MQOutput node, set the queue name to HTTPS.OUT1 and create the MQSeries queue.

4. For the HTTPRequest node, set the Web Service URL to point to the HTTP server to call. For calling the HTTPInput node use `https://localhost:7083/testHTTPS`.
5. For the HTTPRequest node, set the advanced properties to use `OutputRoot.BLOB` as the *Response location in tree* property.
6. In the Compute node add the following ESQL code:

```
CREATE COMPUTE MODULE test_https_Compute
  CREATE FUNCTION Main() RETURNS BOOLEAN
  BEGIN
    -- CALL CopyMessageHeaders();
    CALL CopyEntireMessage();
    set OutputRoot.HTTPResponseHeader = null;
    RETURN TRUE;
  END;

  CREATE PROCEDURE CopyMessageHeaders() BEGIN
    DECLARE I INTEGER;
    DECLARE J INTEGER;
    SET I = 1;
    SET J = CARDINALITY(InputRoot.*[]);
    WHILE I < J DO
      SET OutputRoot.*[I] = InputRoot.*[I];
      SET I = I + 1;
    END WHILE;
  END;

  CREATE PROCEDURE CopyEntireMessage() BEGIN
    SET OutputRoot = InputRoot;
  END;
END MODULE;
```

The message flow is now ready to be deployed to the broker and tested.

### Testing your example:

To test that the example works, complete the following steps:

1. Follow all the instructions given in “Configuring HTTPInput and HTTPReply nodes to use SSL (HTTPS)” on page 61, including testing the example.
2. Deploy the HTTPRequest message flow.
3. Put a message to the MQSeries queue `HTTPS.IN1`. A message should appear on the output queue. If it fails, an error appears in the local error log (which is the event log on Windows).

## Enabling topic-based security

If your applications use the publish/subscribe services of a broker, you can apply an additional level of security to the topics on which messages are published and subscribed. This topic-based security is managed by the User Name Server.

### Before you start:

Before you create a User Name Server, refer to “Considering security for a User Name Server” on page 67.

To enable topic-based security, complete the following steps:

1. Create a User Name Server. For more information, refer to “Creating a User Name Server” on page 198.

2. On the `mqsicreatebroker` command (or the `mqsichangebroker` command if you are using an existing broker), select the `-j` flag and set the `-s` parameter to the name of the queue manager for the User Name Server .
3. Set the `-s` parameter on the `mqsicreateconfigmgr` or `mqsichangeconfigmgr` command to the name of the queue manager for the User Name Server.
4. Create ACLs for the topics that require additional security. For more information, see “Creating ACL entries” on page 87.
5. Ensure that the broker’s service user ID has authority to perform the following actions:
  - a. Get messages from each input queue included in a message flow
  - b. Put messages to any output, reply, and failure queues included in a message flow.
6. Ensure that the user IDs under which publish and subscribe applications run have sufficient authority to put messages to and get messages from message flow queues:
  - a. Authorize publish applications to put messages to the input queue of the message flow.
  - b. Authorize applications that register subscriptions to put messages to the `SYSTEM.BROKER.CONTROL.QUEUE` queue.
  - c. Authorize subscribe applications to get messages from the queue to which messages are published.
  - d. Authorize publish and subscribe applications to get messages from the reply queue.

If you are issuing publish/subscribe requests from a JMS client, additional security options are available. Refer to “SSL authentication” on page 25, “Quality of protection” on page 26, and “Authentication services” on page 81.

Go to “Considering security for a Configuration Manager” on page 51.

## Considering security for a User Name Server

Complete this task by answering the following question:

Have you enabled topic-based security in your broker?

1. No: Go to “Considering security for a Configuration Manager” on page 51.
2. Yes: You need a User Name Server. Go to “Deciding which user accounts can execute User Name Server commands.”

## Deciding which user accounts can execute User Name Server commands

During this task you decide which permissions are required for the user IDs that:

- Create, change, list, delete, start, and stop a User Name Server
- Display, retrieve, and change trace information.

Answer the following questions:

1. Is your User Name Server installed on a Linux or UNIX operating system?
  - a. No: Go to the next question.
  - b. Yes: Ensure that the user ID is a member of the `mqbrkr` group.  
Go to “Deciding which user account to use for the User Name Server service ID” on page 68.

2. Are you executing User Name Server commands under a Windows local account?
  - a. No: Go to the next question.
  - b. Yes: Assume that your local account is on a computer named, for example, WKSTN1. When you create a User Name Server, ensure that your user ID is defined in your local domain. When you create or start a User Name Server, ensure that your user ID is a member of WKSTN1\Administrators.  
Go to “Deciding which user account to use for the User Name Server service ID.”
3. Are you executing User Name Server commands under a Windows domain account?
  - a. Yes: Assume that your computer named, for example, WKSTN1, is a member of a domain named DOMAIN1. When you create a User Name Server using, for example, DOMAIN1\user1, ensure that DOMAIN1\user1 is a member of WKSTN1\Administrators.  
Go to “Deciding which user account to use for the User Name Server service ID.”

### Deciding which user account to use for the User Name Server service ID

When you set the service ID with the `-i` option on the `mqsicreateusername` or `mqsichangeusername` command, you determine the user ID under which the User Name Server component process runs.

Answer the following questions:

1. Is your User Name Server installed on a Linux or UNIX operating system?
  - a. No: Go to the next question.
  - b. Yes: Ensure that the user ID is a member of the `mqbrkrs` group.  
Go to “Setting security on the User Name Server’s queues” on page 69
2. Do you want your User Name Server to run under a Windows local account?
  - a. No: Go to the next question.
  - b. Yes: Ensure that your user ID has the following characteristics:
    - It is defined in your local domain
    - It is a member of the `mqbrkrs` group
    - It has been granted the *Logon as a service* privilege in the Local Security Policy in Windows, which you can access by selecting **Control Panel > Performance and maintenance > Administrative Tools > Local Security Policy**.
 Go to “Setting security on the User Name Server’s queues” on page 69
3. Do you want your User Name Server to run under a Windows domain account?
  - a. Yes: Assume that your computer named, for example, WKSTN1, is a member of a domain named DOMAIN1. When you run a User Name Server using, for example, DOMAIN1\user1, ensure that:
    - The user ID (`user1`) has been granted the *Logon as a service* privilege in the Local Security Policy in Windows, which you can access by selecting **Control Panel > Performance and maintenance > Administrative Tools > Local Security Policy**
    - DOMAIN1\user1 is a member of DOMAIN1\Domain `mqbrkrs`
    - DOMAIN1\Domain `mqbrkrs` is a member of WKSTN1\mqbrkrs.

Go to “Setting security on the User Name Server’s queues.”

## Setting security on the User Name Server’s queues

When you run the `mqsicreateusernameserver` command, the `mqbrkrs` group gets access authority to the following queues:

SYSTEM.BROKER.SECURITY.QUEUE

SYSTEM.BROKER.MODEL.QUEUE

Only the broker and the Configuration Manager require access to the User Name Server’s queues.

Go to “Running the User Name Server in a domain environment.”

## Running the User Name Server in a domain environment

When the users that issue publish and subscribe commands are domain users, set the `-d` option on the `mqsicreateusernameserver` command to the domain those users come from. All users that issue publish and subscribe commands must come from the same domain.

## Using security exits

How to define a security exit when you create a domain connection.

To create a security exit for communications between the Message Broker Toolkit and the Configuration Manager, you must define a security exit when you create a domain connection.

1. Click **File** → **New** → **Domain Connection**. The Create a Domain Connection wizard opens.
2. Enter the values for **Queue Manager Name**, **Host**, and **Port** that you want to use.
3. Enter the Security Exit **Class** name. The name must be a valid Java class name.
4. Set the **JAR File location** for the Security Exit that is required on this connection. Click **Browse** to find the file location.

The security exit is started every time a message passes across the connection.

Alternatively, use SSL to communicate between the Configuration Manager Proxy (CMP) and the Configuration Manager; see “Implementing SSL authentication” on page 57.

## Implementing HTTP tunneling

HTTP tunneling support in the broker is activated by selecting the Use HTTP Tunneling option within the properties for the Real-timeInput node or Real-timeOptimizedFlow node. Optional settings are also configured using the “`mqsichangeproperties` command” on page 432.

Once set, HTTP tunneling is administered using the “`mqsichangeproperties` command” on page 432 with the `httpProtocolTimeout` and `httpDispatchThreads` options.

## Implementing quality of protection

The `enableQoPSecurity` option of the `mqsichangeproperties` command enables quality of protection. By default, quality of protection is enabled if any of the quality of protection settings have been changed from `n` or `none`. The levels of message protection are defined using the `sysQoPLevel` and `isysQoPLevel` options also in the “`mqsichangeproperties` command” on page 432.

From the broker properties window, you can set the values for temporary topics using:

- Temporary Topic Quality of Protection
- Sys Topic Quality of Protection
- ISys Topic Quality of Protection .

The default value is `none`, or you can select one of the following values from each of the drop-down lists:

- Channel Integrity (preventing hackers from inserting or deleting messages without being detected)
- Message Integrity (preventing hackers from changing the content of a message without being detected)
- Encrypted for Privacy (preventing hackers from looking at the content of a message).

The value selected is the same for all users and is independent of the user currently selected.

## Database security

The service user ID for the brokers must be authorized to access databases:

- Each broker service user ID must be authorized for create and update tasks on the database that contains the broker internal tables.

In addition to the broker service user ID, this also applies to any data source user ID if defined (using “`mqsicreatebroker` command” on page 487), or to any user ID specified for a data source by use of the “`mqsisetdbparms` command” on page 609.

Derby databases, created either by the Default Configuration wizard or by the “`mqsicreatedb` command” on page 510 on Windows, do not require security authorization. Refer to “Using Derby databases on Windows” on page 117 for more information.

Database security is defined and modified using various commands dependent upon the database that is being used. See the following:

- “`mqsicreatebroker` command” on page 487
- “`mqsichangebroker` command” on page 399

For information relating to specific databases see:

- “Oracle: granting and revoking user access to databases”
- “SQL Server: granting and revoking user access to databases” on page 71
- “Sybase: granting and revoking user access to databases” on page 71

### Oracle: granting and revoking user access to databases

The Oracle database administrator controls user access to Oracle databases. The WebSphere Message Broker does not provide any special commands to administer an Oracle database.

## SQL Server: granting and revoking user access to databases

The SQL database administrator controls user access to Microsoft SQL Server databases. WebSphere Message Broker does not provide any special commands to administer a Microsoft SQL Server database.

You must enable SQL Server Authentication mode as well as the default Windows Authentication mode.

## Sybase: granting and revoking user access to databases

The Sybase database administrator controls user access to Sybase databases. WebSphere Message Broker does not provide any special commands to administer a Sybase database.

---

## Setting up z/OS security

On z/OS, you need to complete some security configuration tasks before WebSphere Message Broker can work correctly.

The steps you need to follow are described in this topic and also in the following topics:

- “Setting up DB2 security on z/OS” on page 72
- “Setting up WebSphere MQ” on page 74
- “Setting up workbench access on z/OS” on page 74
- “Creating Publish/Subscribe user IDs” on page 74
- “Enabling the Configuration Manager on z/OS to obtain user ID information” on page 75

Decide on the started task names of the broker, Configuration Manager, and User Name Server. These names are used to set up started task authorizations, and to manage your system performance.

Decide on a data set naming convention for your WebSphere Message Broker PDSEs. A typical name might be WMQI.MQP1BRK.CNTL or MQS.MQP1UNS.BIPCNTL, where MQP1 is the queue manager name. You need to give the WebSphere Message Broker, WebSphere MQ, DB2, and z/OS administrators access to these data sets. You can give these professionals control access in several ways, for example:

- Give each user individual access to the specific data set.
- Define a generic data set profile, defining a group that contains the user IDs of the administrators. Grant the group control access to the generic data set profile.

If you intend to use Publish/Subscribe, define a group called MQBRKRS and connect the started task user IDs to this group. Define an OMVS group segment for this group so that the User Name Server can extract information from the External Security Manager (ESM) database to enable you to use Publish/Subscribe security.

Each broker needs a unique ID for its DB2 tables. This can be:

- A unique started task user ID; you could use the broker name as the started task user ID.

A unique group for the broker (for example MQP1GRP) which has defined all necessary DB2 authorities. The broker started task user ID and the WebSphere Message Broker administrator are both members of this group.

- A shared started task user ID and a unique group specified to identify the DB2 tables to be used with the ODBC interface. Use the broker name as the group name.

Define an OMVS segment for the started task user ID and give its home directory sufficient space for any WebSphere Message Broker dumps. Consider using the started task procedure name as the started task user ID. Check that your OMVS segment is defined by using the following TSO command:

```
LU userid OMVS
```

The command output includes the OMVS segment, for example:

```
USER=MQP1BRK NAME=SMITH, JANE OWNER=TSOUSER
CREATED=99.342 DEFAULT-GROUP=TSOUSER PASSDATE=01.198
PASS-INTERVAL=30
.....
OMVS INFORMATION
-----
UID=0000070594
HOME=/u/MQP1BRK
PROGRAM=/bin/sh
CPUTIMEMAX=NONE
ASSIZEMAX=NONE
FILEPROCMAx=NONE
PROCUSERMAX=NONE
THREADSMAX=NONE
MMAPAREAMAX=NONE
```

The command:

```
df -P /u/MQP1BRK
```

displays the amount of space used and available, where /u/MQP1BRK is the value from HOME above. This command shows you how much space is currently available in the file system. Check with your data administrators that this is sufficient. You need a minimum of 400 000 blocks free; this is needed if a dump is taken.

Associate the started task procedure with the user ID to be used. For example, you can use the STARTED class in RACF®. The WebSphere Message Broker and z/OS administrators must agree on the name of the started task.

WebSphere Message Broker administrators need an OMVS segment and a home directory. Check the setup described above.

The started task user IDs and the WebSphere Message Broker administrators need access to the install processing files, the component specific files, and the home directory of the started task. During customization the file ownership can be changed to alter group access. This might require super user authority.

When the service user ID is *root*, all libraries loaded by the broker, including all user-written plug-in libraries and all shared libraries that they might access, also have root access to all system resources (for example, file sets). Review and assess the risk involved in granting this level of authorization.

For more information on various aspects of security, see “Security overview” on page 3.

## Setting up DB2 security on z/OS

This is part of the larger task of setting up security on z/OS.



The user ID of the person running the DB2 configuration jobs must have *UPDATE* access to the component PDSE, *READ/EXECUTE* access to the installation directory, and *READ/WRITE/EXECUTE* access to the broker-specific directory.

A user needs SYSADM or SYSCTRL authority to run the DB2 configuration jobs.

You cannot share DB2 tables between brokers; each broker must have its own DB2 tables. The format of the table names is:

```
table_owner.table_name
```

where table\_owner is known as the table owner.

When the broker starts up, the started task user ID is used to connect to DB2 using ODBC. The ODBC statement Set current SQLID is used to set the ID to table\_owner; the table owner ID specifies which tables to use. You have two options in setting up the IDs:

1. Make the table owner the same as the started task user ID. This means that each broker must have a different user ID. Check that the started task user ID specified has access to SYSIBM tables. From a TSO user with no system administration authority, use SPUFI to issue the following commands:

```
select *      from SYSIBM.SYSTABLES;
select *      from SYSIBM.SYSSYNONYMS;
select *      from SYSIBM.SYSDATABASE;
```

and resolve any problems.

2. Make the table owner different from the started task user ID. For this to work the started task needs to be able to issue the Set current SQLID request. The easiest way to do this is to create a RACF group with the same name as the table owner, and connect the started task user ID to this group.

Check that the group ID specified has access to SYSIBM tables. From a TSO user with no system administration authority, use SPUFI to issue the following commands:

```
SET    CURRENT SQLID='WMQI';
select * from  SYSIBM.SYSTABLES;
select * from  SYSIBM.SYSSYNONYMS;
select * from  SYSIBM.SYSDATABASE;
```

and resolve any problems (WMQI is the name of the group). You might need to connect the TSO user IDs of the DB2 administrators to the group.

If you have a unique group for each broker (and not a unique started task user ID), the started task user ID must be connected to the group for the ODBC request set currentsqlid to work successfully.

The DB2 administrator user ID must have access to one of the programs DSNTDP2 or DSNTIAD, or equivalent.

The started task user ID must be authorized to connect to DB2. The started task user ID needs a minimum of *READ* access to the subsystem.RRSF profile in the DSNR class, if present. In this case, subsystem is the DB2 subsystem name. For example, the following RACF command lists all the resources in DSNR class:

```
RLIST DSNR *
```

The started task user ID needs *EXECUTE* authority to the DSNACLI plan or equivalent.

The DB2 subsystem started task user ID needs authority to create data sets with the high level qualifier specified in the DB2\_STOR\_GROUP\_VCAT value.

## Setting up WebSphere MQ

This is part of the larger task of setting up security on z/OS.

The user ID of the person running the create component (BIPCBRK, BIPCRCM, and BIPCRUN) jobs needs *UPDATE* access to the component PDSE, *READ/EXECUTE* access to the installation directory, and *READ/WRITE/EXECUTE* access to the component directory. If you do not use queue manager security, you do not need to read the rest of this topic. Topic “Creating the broker component” on page 186 provides detailed statements on how to protect your queues.

The broker, Configuration Manager, and the User Name Server need to be able to connect to the queue manager.

By default, the broker’s internal queues, which all have names of the form:

```
SYSTEM.BROKER.*
```

should be protected. These names cannot be changed. Restrict access to the broker, Configuration Manager, and User Name Server started task user IDs, and to WebSphere Message Broker administrators.

If you are running a Configuration Manager on z/OS, remote users connecting from either the Message Broker Toolkit or from a Configuration Manager Proxy application need to be authorized to connect to the queue manager through the channel initiator and require *PUT* and *GET* access to SYSTEM.BROKER.CONFIG.QUEUE and SYSTEM.BROKER.CONFIG.REPLY

If you are using Publish/Subscribe, subscribers need to *PUT* to SYSTEM.BROKER.CONTOL.QUEUE.

You can control which applications can use queues used by message flows. Applications need to be able to *PUT* and *GET* to queues defined in any nodes.

## Setting up workbench access on z/OS

Access to the workbench is controlled from Windows or Linux on x86. The workbench must run on Windows or Linux on x86. See “Considering security for a Configuration Manager” on page 51 for further information.

## Creating Publish/Subscribe user IDs

This is part of the larger task of setting up security on z/OS.

A User Name Server can only see user IDs that have been enabled to use UNIX System Services facilities. To ensure that your user or group information can be seen by your User Name Server, you must comply with the following instructions:

- Define user IDs with OMVS(UID(nnnnn)...) and their default group with OMVS(GID(nnnnn)).
- Define groups with OMVS(GID(nnnnn)).

## Enabling the Configuration Manager on z/OS to obtain user ID information

This topic lists the steps you need to complete, to enable the Configuration Manager on z/OS to correctly obtain the list of user IDs for a particular group from the External Security Manager (ESM) database.

When connecting to the Configuration Manager, the local user ID on the connecting machine is sent to the Configuration Manager for the purposes of broker domain authorization. This user ID is checked against the Configuration Manager Access Control Lists (ACL) to determine the level of authorization.

For any group ACLs defined, the Configuration Manager queries the local ESM database for a list of user IDs defined to that group. The Configuration Manager then tries to match any user ID connecting to it, with this list, to grant the correct authorization to the broker domain.

For the Configuration Manager on z/OS to obtain this list of user IDs, the group and any user IDs must have an OMVS segment defined.

### User IDs

- If you have suitable authorization, you can use the following Security Server (formerly RACF) command to display OMVS information about a user:  
LU id OMVS
- If you have suitable authorization, you can use the following Security Server command to give a user ID an OMVS segment:  
ALTUSER id OMVS(UID(xxx))

### Groups

- If you have suitable authorization, you can use the following Security Server command to display OMVS information about a user:  
LG group OMVS
- If you have suitable authorization, you can use the following Security Server command to give a group an OMVS segment:  
ALTGROUP id OMVS(GID(xxx))

See the *OS/390 Security Server (RACF) Security Administrator's Guide* (or the appropriate documentation for an external security manager installed on the system) for details.

If the group, or any of the defined user IDs in that group, are not found by the Configuration Manager (either because they do not exist, or because they do not have an OMVS segment), the Configuration Manager is not able to authorize the user attempting the connection.

---

## Publish/subscribe security

Security services are provided for your publish/subscribe domain.

- Topic-based security  
Access to messages on particular topics is controlled using access control lists (ACLs).
- Authentication services using real-time nodes

An authentication protocol is used by a broker and a client application to confirm that they are both valid participants in a session.

- Message protection using real-time nodes  
Message protection provides security options to prevent messages from being read or modified while in transit.

These services operate independently of each other, but before you can use any of these services, you must create a User Name Server and include it in your domain.

To use one of these services, use the `mqsicreatebroker` or `mqsichangebroker` command to configure a broker with the `-s` parameter to specify the name of the queue manager that hosts the User Name Server.

In addition, to use topic-based security, specify the publish/subscribe access control flag (`-j` parameter) on the `mqsicreatebroker` or `mqsichangebroker` command.

## Topic-based security

Use topic-based security to control which applications in your publish/subscribe system can access information on which topics.

For each topic to which you want to restrict access, you can specify which principals (user IDs and groups of user IDs) can publish to the topic, and which principals can subscribe to the topic. You can also specify which principals can request persistent delivery of messages.

Any principal can publish, subscribe, and request persistent delivery of, messages on any topic whose access you do not explicitly restrict.

Topic-based security is managed by a User Name Server that uses the access control lists (ACLs) that you create to decide which authorizations are applied.

### Principals and the User Name Server

The User Name Server in WebSphere Message Broker manages the set of principals that are already defined in your network, on behalf of the brokers and the Configuration Manager, for use in publish/subscribe. On Windows, this list of users is taken from the domain specified on the `mqsicreateusername` command.

The User Name Server is made known to both the broker and the Configuration Manager by specifying the User Name Server queue manager on the `mqsicreatebroker` and `mqsicreateconfigmgr` commands.

Message brokers within the broker domain interact with the User Name Server to retrieve the total set of users and groups from which the access control lists are built and against which the publish/subscribe requests are validated. The Configuration Manager interacts with the User Name Server to display the users and user groups in the ACLs that are created using the Topics Hierarchy Editor that is provided in the Broker Administration perspective of the workbench.

### Access control lists

Access control lists are used to define, for any topic and principal, the right of that principal to publish on, or subscribe to, that topic, or to request persistent delivery of a publication on that topic.

You can also use the ACL to define the level of message protection that you want to apply to each topic.

Specify these definitions using the Topics Hierarchy Editor in the Broker Administration perspective of the workbench.

Access control can be set explicitly for each individual topic. However, if no explicit ACL is defined for a topic, access control is inherited from an ancestor or parent topic, as defined by the hierarchical structure of the topic tree. If no topic in the hierarchy up to the topic root has an explicit ACL, the topic inherits the ACL of the topic root.

Any defined principal that is known to the User Name Server can be associated with a topic in this way.

### **Resolving ACL conflicts**

If the principals in your broker domain include one or more users in more than one group, the explicit or inherited ACL values might conflict. The following rules indicate how a conflict is resolved:

- If the user has an explicit user ACL on the topic of interest, this always takes priority and the broker verifies the current operation on that basis.
- If the user does not have an explicit user ACL on the topic of interest, but has explicit user ACLs against an ancestor in the topic tree, the closest ancestor ACL for that user takes priority and the broker verifies the current operation on that basis.
- If there are no explicit user ACLs for the user on the topic of interest or its ancestors, the broker attempts to verify the current operation on the basis of group ACLs:
  - If the user is a member of a group that has an explicit group ACL on the topic of interest, the broker verifies the current operation on the basis of that group ACL.
  - If the user is not a member of a group that has an explicit group ACL on the topic of interest, but is a member of a group with explicit group ACLs against an ancestor in the topic tree, the closest ancestor ACL takes priority and the broker verifies the current operation on that basis.
  - If, at a particular level in the topic tree, the user ID is contained in more than one group with an explicit ACL, permission is granted if any of the specifications are positive; otherwise it is denied.

You cannot associate ACLs with topics that include one or more wildcard characters. However, access from your client application is resolved correctly when the subscription registration is made, even when that application specifies a wildcard character in the topic.

### **PublicGroup authorizations**

In addition to the groups that you define, WebSphere Message Broker provides an implicit group, PublicGroup, to which all users automatically belong. This implicit group simplifies the specification of ACLs in a topic tree. In particular, this group is used in the specification of the ACL for the topic root. Note that the default setting of the topic root allows publish and subscribe operations for the PublicGroup. You can view and change this ACL using the workbench, but you cannot remove it. It determines the default permissions for the entire topic tree. You can specify ACLs for the PublicGroup elsewhere in the topic tree, wherever you want to define permissions for all users.

If you have a principal named *Public* defined in your existing security environment, you cannot use this for topic-based security. If you specify this principal within an ACL, it is equated to *PublicGroup* and therefore always allows global access.

### **mqbrkrs authorizations**

WebSphere Message Broker grants special publish/subscribe access control privileges to members of the *mqbrkrs* group, and to the corresponding Domain *mqbrkrs* global group if appropriate.

Brokers need special privileges to perform internal publish and subscribe operations in networks where there is access control. When you create a broker in such a network, you must specify a user ID that belongs to the group *mqbrkrs* as the service user ID for the broker. The *mqbrkrs* group is given implicit privileges so that its members can publish, subscribe and request the persistent delivery of messages on the topic root (*"/*). All other topics inherit these permissions. If you attempt to configure an ACL for the *mqbrkrs* group using the workbench, this ACL is ignored by WebSphere Message Broker.

### **ACLs and system topics**

Messages that are used for internal publish and subscribe operations are published throughout the broker domain using system topics, which begin with the strings *"\$SYS"* and *"\$ISYS"*.

These topics can only be published from, and subscribed to, by members of the *mqbrkrs* group, except for the following two scenarios:

1. If you are migrating topics from WebSphere MQ Publish/Subscribe, you can configure ACLs on topics that begin with the string *"\$SYS/STREAM"*.
2. Clients can subscribe to topics that begin with the string *"\$SYS"*; this means that applications that provide a management function can subscribe to the broker for administrative events.

Do not configure ACLs on topics that begin with the string *"\$ISYS"*. You are not prevented from doing so, but the ACLs are ignored.

### **Setting access control on topics**

Any user that has an object-level security ACL that gives full control permission to the root topic object, can define and manipulate the ACLs that define which principals can publish on, and subscribe to, which topics. ACLs can also limit delivery of persistent messages, and define the level of message protection.

All defined principals can be associated with any topic; the permissions that can be set are shown in the following table:

<b>Option</b>	<b>Description</b>
Publish	Permits or denies the principal to publish messages on this topic.
Subscribe	Permits or denies the principal to subscribe to messages on this topic.
Persistent	Specifies whether the principal can receive messages persistently. If the principal is not permitted, all messages are sent non-persistently. Each individual subscription indicates whether the subscriber requires persistent messages.

Option	Description
QoS Level	Specifies the level of message protection that is enforced. One of the following four values can be chosen: <ul style="list-style-type: none"> <li>• None</li> <li>• Channel Integrity</li> <li>• Message Integrity</li> <li>• Encrypted</li> </ul> The default value is 'None'.

Persistent access control behavior is not identical to the publish and subscribe control:

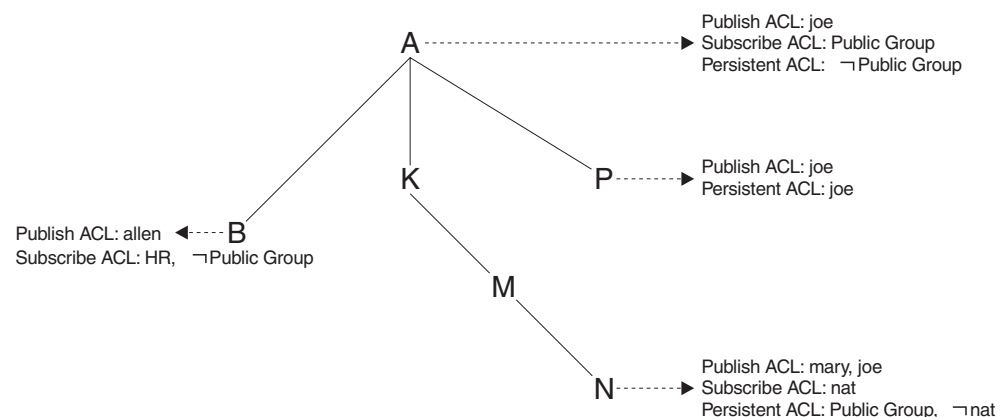
- Clients that are denied Publish access have their publication messages refused.
- Clients that are denied Subscribe access do not receive the publication.
- The persistent access control does not deny the message to subscribers, but denies them persistence, so denied subscribers always receive messages, subject to their subscribe access control, but always have the message sent to them non-persistently, regardless of the persistence of the original message.

### Inheritance of security policies

Typically, topics are arranged in a hierarchical tree. The ACL of a parent topic can be inherited by some or all of its descendent topics that do not have an explicit ACL. Therefore, it is not necessary to have an explicit ACL associated with each and every topic. Every topic has an ACL policy which is that of its parent. If all parent topics up to the root topic do not have explicit ACLs, that topic inherits the ACL of the root topic.

For example, in the topic tree shown below, the topic root is not shown but is assumed to have an ACL for PublicGroup whose members can publish, subscribe, and receive persistent publications. (The symbol "¬" means "not".)

Inheriting ACLs in a topic tree



The following table shows the ACLs, inherited in some cases, that result from the topic tree shown in the figure:

Topic	Publishers	Subscribers	Persistent
A	only joe	everyone	no-one
A/P	only joe	everyone	only joe

Topic	Publishers	Subscribers	Persistent
A/K	only joe	everyone	no-one
A/K/M	only joe	everyone	no-one
A/K/M/N	only mary, joe	everyone	everyone except nat
A/B	allen, joe	HR	no-one

## Dynamically created topics

Topics that are not explicitly created by the system administrator, but are created dynamically when a client publishes or subscribes to messages, are treated in the same way as those that are created by the system administrator, but they do not have explicitly defined ACLs. That is, the ACLs for dynamically created topics are inherited from the closest ancestor in the topic tree that has an explicit policy. It is therefore not necessary to define leaf topics in the tree if they do not have explicit ACLs.

## ACLs and wildcard topics

With WebSphere Message Broker you cannot associate an explicit security policy with a wildcard topic. For example, you cannot associate an ACL with topic "A/+", which represents a two level hierarchy and includes "A/B", "A/K", and "A/P".

However, WebSphere Message Broker does guarantee correct access mediation when a client application subscribes to a wildcard topic.

For example, the topic "A/+" does not, and cannot, have a security policy explicitly associated with it. Therefore, "A/+" inherits its policy from "A". Any user can subscribe to "A/+" because the subscribe ACL includes everyone.

When a message is published on "A/P" or "A/K", the broker delivers it to the user who subscribed to "A/+". However, when a message is published to "A/B", that message is only delivered to subscribers who are in the HR group.

If the system administrator changes the subscribe ACL of any topic that matches "A/+", the broker correctly enforces the ACL when the message is delivered. Subscribing to a wildcard topic has the semantics to deliver messages on all topics that match the wild card, and for which the subscriber has authorization to receive that message.

## ACLs and subscription resolution

The broker enforces access control through the topic of the message to be delivered. Messages are delivered only to those clients that have not had subscribe access to that topic denied, either explicitly or through inheritance. Because a subscription can contain a wildcard character, the actual match against the topic namespace, and hence the topic ACLs, cannot be made when the subscription is received. The decision to deliver a message to a subscriber is made only when a specific message with a topic is being processed by the message broker.

## Activating topic ACL updates

Updates to a topic ACL do not become active until deployed and activated across the broker domain from the WebSphere Message Broker workbench.

You must have an object-level security ACL that gives full control permission to the root topic object.



## Authentication services

Authentication services are supported only between client applications that use the WebSphere MQ Real-time Transport and WebSphere Message Broker Real-timeInput and Real-timeOptimizedFlow nodes.

The WebSphere Message Broker authentication services verify that a broker and a client application are who they claim they are, and can therefore participate in a publish/subscribe session.

Each participant in the session uses an authentication protocol to prove to the other that they are who they say they are, and are not an intruder impersonating a valid participant.

The WebSphere Message Broker product supports the following four protocols:

- P - simple telnet-like password authentication
- M - mutual challenge-response password authentication
- S - asymmetric SSL
- R - symmetric SSL

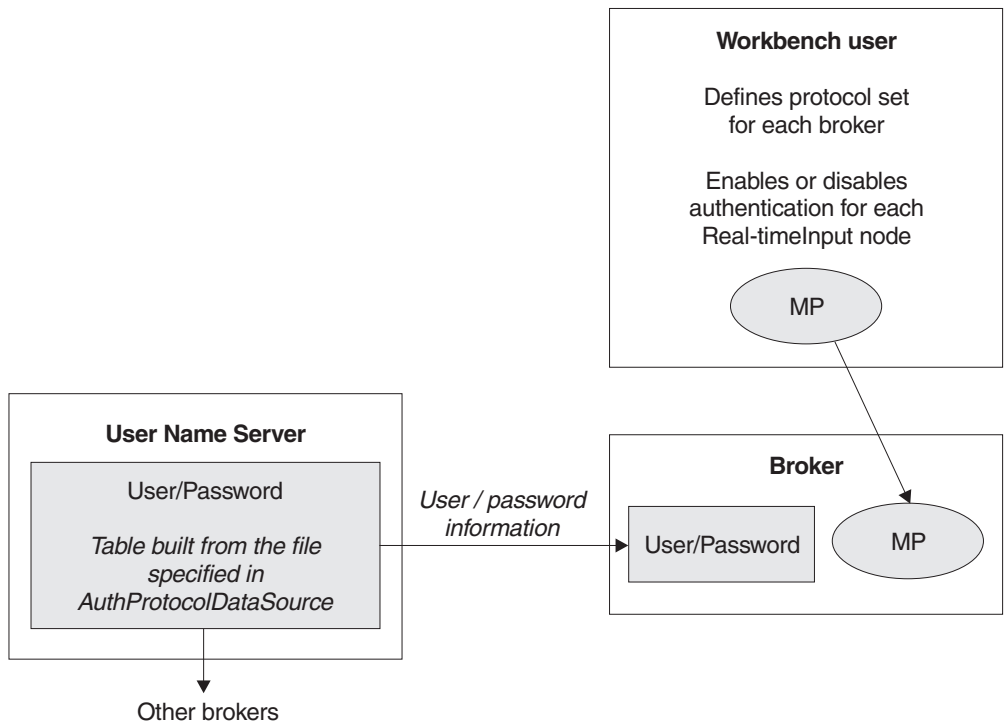
The first two of these protocols and their infrastructure requirements are described in “Simple telnet-like password authentication” on page 82 and “Mutual challenge-response password authentication” on page 83 respectively. Asymmetric and symmetric SSL protocols are described in “SSL authentication” on page 25.

The protocols vary in strength, in terms of providing protection against participants that are not valid participants in the session; P is the weakest and R is the strongest.

### Configuring authentication protocols

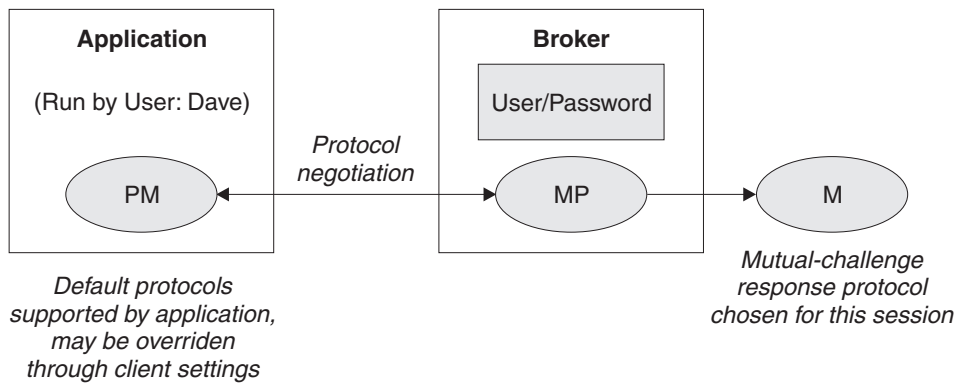
The set of protocols that can be supported by a specific broker in the broker domain can be configured using the workbench. One or more protocols can be specified for each broker. Use the workbench to enable or disable authentication on each Real-timeInput node that is defined for a particular broker. When authentication is enabled at a Real-timeInput node, that node supports the full set of protocols specified for its corresponding broker. The configuration options are illustrated in the following diagrams:

Overview of authentication configuration

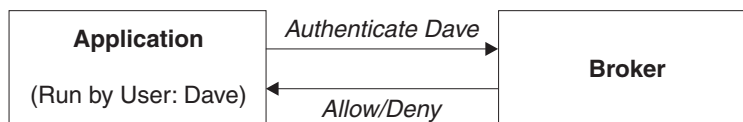


Two-stage runtime authentication process

### Stage 1 - Determine protocol for session



### Stage 2 - Drive chosen protocol



### Simple telnet-like password authentication

This protocol can also be described as *password in the clear* because the password passes un-encrypted over the network. The client application connects to the Real-timeInput node using TCP/IP. The input node requests that the client identify itself. The client sends its "userid" and its password.

This simple protocol relies on both the client and the broker knowing the password associated with a user ID. In particular, the broker needs access to a repository of user and password information. The user ID and password information is

distributed by the User Name Server to all the brokers in a WebSphere Message Broker product's domain. The User Name Server extracts user and password information from an operating system file.

The User Name Server approach allows for the centralized maintenance of the source of users and passwords, with automatic distribution of the information to brokers, and automatic refreshes of the information if required. It also provides availability benefits, because user and password information is maintained persistently at each broker.

Each client application must know its own user ID and keep its password secret. When creating a connection, a client specifies its credentials as a name/password combination.

This protocol provides relatively weak security. It does not compute a session key, and should only be used in environments where there are no "eavesdroppers" and no untrusted "middle-men".

In the case where user and password information is stored in a flat file on the User Name Server system, the passwords are stored and distributed "in-the-clear".

The computational load on the client and server is very light.

### **Mutual challenge-response password authentication**

This is a more sophisticated and secure protocol that involves the generation of a secret session key. Both the client and the server compute this key using the client's password. They prove to each other that they know this secret through a challenge and response protocol.

The client must satisfy the server's challenge before the server satisfies the client's challenge. This means that an attacker impersonating a client can gather no information to mount an "offline" password guessing attack. Both the client and the server prove to each other that they know the password, so this protocol is not vulnerable to "impersonation" attacks.

As in the case of the simple telnet-like password protocol, the broker must have access to user and password information. Information about the user ID and password is distributed by the User Name Server to all the brokers in the domain. The User Name Server extracts user and password information from an operating system file.

Each client application must know its own user ID and keep its password secret. When creating a connection, a client specifies its credentials as a name/password combination.

Computational demands on both client and server are fairly modest.

## **Message protection**

The authentication services provided by WebSphere Message Broker ensure that only legitimate message brokers and client applications can connect to each other. However, a hacker might still be able to observe messages in transit or interfere with messages on established connections. Message protection provides security options to protect your messages against such activities.

You cannot use message protection if you are using 'simple telnet-like password authentication'.

Because the use of message protection can have an adverse affect on the performance of your publish/subscribe system, and because security is not equally important for all messages, you might want to define different levels of message protection for different messages. You do this by assigning a Quality of Protection (QoP) value to each topic in your publish/subscribe system.

There are four QoP values. They give the following levels of protection:

- n** This is the default value. It gives no message protection.
- c** This provides channel integrity. With this level of protection, hackers are unable to insert or delete messages without being detected.
- m** This provides message integrity. With this level of protection, hackers are unable to change the content of a message without being detected.
- e** This provides message encryption. With this level of protection, hackers are unable to look at the content of a message.

The protection levels are cumulative. For example, if you specify message encryption, you also get message integrity and channel integrity; if you request message integrity, you also get channel integrity.

If any QoP settings are made, all clients that connect to the broker must use a security level that supports message integrity or message encryption.

---

## Securing the publish/subscribe domain

Use appropriate options to secure your publish/subscribe domain.

The following topics describe the actions that you can take to secure your publish/subscribe domain:

- “Enabling topic-based security” on page 66
- “Creating ACL entries” on page 87
- “Enabling SSL for the Real-time nodes” on page 58
- “Using message protection” on page 90
- “Securing WebSphere MQ resources” on page 91

For more information, see “Publish/subscribe security” on page 75 and “Security overview” on page 3.

### Enabling topic-based security

If your applications use the publish/subscribe services of a broker, you can apply an additional level of security to the topics on which messages are published and subscribed. This topic-based security is managed by the User Name Server.

#### **Before you start:**

Before you create a User Name Server, refer to “Considering security for a User Name Server” on page 67.

To enable topic-based security, complete the following steps:

1. Create a User Name Server. For more information, refer to “Creating a User Name Server” on page 198.

2. On the `mqsicreatebroker` command (or the `mqsichangebroker` command if you are using an existing broker), select the `-j` flag and set the `-s` parameter to the name of the queue manager for the User Name Server .
3. Set the `-s` parameter on the `mqsicreateconfigmgr` or `mqsichangeconfigmgr` command to the name of the queue manager for the User Name Server.
4. Create ACLs for the topics that require additional security. For more information, see “Creating ACL entries” on page 87.
5. Ensure that the broker’s service user ID has authority to perform the following actions:
  - a. Get messages from each input queue included in a message flow
  - b. Put messages to any output, reply, and failure queues included in a message flow.
6. Ensure that the user IDs under which publish and subscribe applications run have sufficient authority to put messages to and get messages from message flow queues:
  - a. Authorize publish applications to put messages to the input queue of the message flow.
  - b. Authorize applications that register subscriptions to put messages to the `SYSTEM.BROKER.CONTROL.QUEUE` queue.
  - c. Authorize subscribe applications to get messages from the queue to which messages are published.
  - d. Authorize publish and subscribe applications to get messages from the reply queue.

If you are issuing publish/subscribe requests from a JMS client, additional security options are available. Refer to “SSL authentication” on page 25, “Quality of protection” on page 26, and “Authentication services” on page 81.

Go to “Considering security for a Configuration Manager” on page 51.

## Considering security for a User Name Server

Complete this task by answering the following question:

Have you enabled topic-based security in your broker?

1. No: Go to “Considering security for a Configuration Manager” on page 51.
2. Yes: You need a User Name Server. Go to “Deciding which user accounts can execute User Name Server commands” on page 67.

## Deciding which user accounts can execute User Name Server commands

During this task you decide which permissions are required for the user IDs that:

- Create, change, list, delete, start, and stop a User Name Server
- Display, retrieve, and change trace information.

Answer the following questions:

1. Is your User Name Server installed on a Linux or UNIX operating system?
  - a. No: Go to the next question.
  - b. Yes: Ensure that the user ID is a member of the `mqbrkr` group.  
Go to “Deciding which user account to use for the User Name Server service ID” on page 68.

2. Are you executing User Name Server commands under a Windows local account?
  - a. No: Go to the next question.
  - b. Yes: Assume that your local account is on a computer named, for example, WKSTN1. When you create a User Name Server, ensure that your user ID is defined in your local domain. When you create or start a User Name Server, ensure that your user ID is a member of WKSTN1\Administrators.  
Go to “Deciding which user account to use for the User Name Server service ID” on page 68.
3. Are you executing User Name Server commands under a Windows domain account?
  - a. Yes: Assume that your computer named, for example, WKSTN1, is a member of a domain named DOMAIN1. When you create a User Name Server using, for example, DOMAIN1\user1, ensure that DOMAIN1\user1 is a member of WKSTN1\Administrators.  
Go to “Deciding which user account to use for the User Name Server service ID” on page 68.

### Deciding which user account to use for the User Name Server service ID

When you set the service ID with the `-i` option on the `mqsicreateusername` or `mqsichangeusername` command, you determine the user ID under which the User Name Server component process runs.

Answer the following questions:

1. Is your User Name Server installed on a Linux or UNIX operating system?
  - a. No: Go to the next question.
  - b. Yes: Ensure that the user ID is a member of the `mqbrkrs` group.  
Go to “Setting security on the User Name Server’s queues” on page 69
2. Do you want your User Name Server to run under a Windows local account?
  - a. No: Go to the next question.
  - b. Yes: Ensure that your user ID has the following characteristics:
    - It is defined in your local domain
    - It is a member of the `mqbrkrs` group
    - It has been granted the *Logon as a service* privilege in the Local Security Policy in Windows, which you can access by selecting **Control Panel > Performance and maintenance > Administrative Tools > Local Security Policy**.
 Go to “Setting security on the User Name Server’s queues” on page 69
3. Do you want your User Name Server to run under a Windows domain account?
  - a. Yes: Assume that your computer named, for example, WKSTN1, is a member of a domain named DOMAIN1. When you run a User Name Server using, for example, DOMAIN1\user1, ensure that:
    - The user ID (`user1`) has been granted the *Logon as a service* privilege in the Local Security Policy in Windows, which you can access by selecting **Control Panel > Performance and maintenance > Administrative Tools > Local Security Policy**
    - DOMAIN1\user1 is a member of DOMAIN1\Domain `mqbrkrs`
    - DOMAIN1\Domain `mqbrkrs` is a member of WKSTN1\mqbrkrs.

Go to “Setting security on the User Name Server’s queues” on page 69.

## Setting security on the User Name Server’s queues

When you run the `mqscreateusernameserver` command, the `mqbrkrs` group gets access authority to the following queues:

SYSTEM.BROKER.SECURITY.QUEUE

SYSTEM.BROKER.MODEL.QUEUE

Only the broker and the Configuration Manager require access to the User Name Server’s queues.

Go to “Running the User Name Server in a domain environment” on page 69.

## Running the User Name Server in a domain environment

When the users that issue publish and subscribe commands are domain users, set the `-d` option on the `mqscreateusernameserver` command to the domain those users come from. All users that issue publish and subscribe commands must come from the same domain.

## Creating ACL entries

You must create an access control list (ACL) for each new topic. See “Adding a new topic” on page 275 for more information about doing this.

## Enabling SSL for the Real-time nodes

Use optional authentication services between JMS clients and Real-timeInput and Real-timeOptimizedFlow nodes.

In a default configuration, SSL authentication services are disabled.

To configure the product to use the SSL authentication services, complete the following steps:

- Configure and start a User Name Server in a broker domain.
- Configure each Real-timeInput node to use authentication, and set your chosen authentication protocol in each of the brokers that is to use the authentication services.
- Edit a file that specifies client user IDs and passwords.
- Specify the names of the files that are required to implement the SSL protocol.
- For Real-time nodes when using multiple execution groups, set the `sslKeyRingFile` and `sslPassphraseFile` properties on each execution group separately using the `mqschangeproperties` command.

## Configuring the User Name Server

The User Name Server distributes to the brokers passwords that are required to support these authentication protocols.

To configure the User Name Server to support authentication, specify the following two parameters on either the `mqscreateusernameserver` or the `mqschangeusernameserver` command:

- `AuthProtocolDataSource` describes the location of a local file that contains the information that is required to support the authentication protocols.

- The `-j` flag indicates whether the file that is pointed to by the `AuthProtocolDataSource` parameter contains group and group membership information in addition to password information.
- Set the `-j` flag if you want to support both authentication and publish/subscribe access control in your broker domain, and you want to draw user and group information from a file rather than from the operating system.
- Use the `AuthProtocolDataSource` parameter to specify the source of any protocol-related information. For example, you can specify the name of a file that contains user ID and password information. The user ID and password information in this file must exactly mirror the operating system user ID and password definitions. Make sure that you set the appropriate file system security for this password file.
- The default location of this file is the WebSphere Message Broker home directory. If you store the file in another location, specify the full path definition of the location of the file.
- Stop and restart the User Name Server to implement the changes.

Use the `-d` flag on the `mqsichangeusernameserver` command to disable this option.

## Configuring a broker

Configure a broker to support WebSphere Message Broker authentication services. Specify two authentication and access control parameters and use the workbench to configure the appropriate Real-timeInput nodes and the sets of protocols that are to be supported on the broker.

The following steps show you how to do this.

1. Switch to the Broker Application Development perspective.
2. For each message flow in the Message Flow Topology:
  - a. Select the Real-timeInput or Real-timeOptimizedFlow node to open the Properties view. The node properties are displayed.
  - b. Select **Authentication**.
3. For each broker in the Broker Topology:
  - a. Select the broker to open the Properties view. The broker properties are displayed.
  - b. Enter the required value in **Authentication Protocol Type**.

Choose any combination of the options P, M, S, and R; for example, S, SR, RS, R, PS, SP, PSR, SRM, MRS, and RSMP are all valid combinations of options.

The order in which you specify the options is significant; the broker chooses the first option that the client supports. If you want the broker always to support the strongest protocol that the client supports, choose RSMP.

- c. If you have chosen S or R as one of the options in **Authentication Protocol Type**, specify the **SSL Key Ring File Name** and the **SSL Password File Name**.
- d. Click **OK**.
- e. Use the `mqsicreatebroker` or `mqsichangebroker` command, with the following two parameters, to configure the broker:

**UserNameServerQueueManagerName (-s)**

This parameter defines the name of the queue manager that it



associated with the User Name Server. Specify this parameter if you require authentication services, publish/subscribe access control services, or both.

### **Publish/Subscribe Access Control Flag (-j)**

Set this flag in addition to specifying the **UserNameServerQueueManagerName** parameter if you want to use publish/subscribe access control services.

Use of the authentication services in the broker is enabled at the IP input node level, not by a parameter on these commands.

## **Sample password files**

Two sample files, password.dat and pwgroup.dat, are supplied with WebSphere Message Broker.

- pwgroup.dat is a sample file that can be used when you set the -j flag.
- password.dat is a sample file that can be used in the default case.

The file password.dat has the following layout:

```
# This is a password file.

# Each line contains two required tokens delimited by
# commas. The first is a user ID, the second is that user's
# password.

#USERNAME PASSWORD
=====
subscriber,subpw
admin,adminpw
publisher,pubpw
```

This file complements the user and group information that is retrieved by the User Name Server from the operating system. User names that are defined in the file, but are not defined in the operating system, are treated as unknown by the broker domain. User names that are defined in the operating system, but are not defined in the password file, are denied access to the system.

The file pwgroup.dat contains group information in addition to user and password information. Each user entry includes a list of group names that specify the groups that contain the user.

The file pwgroup.dat has the following layout:

```
#This is a password file.
#Each line contains two or more required tokens delimited by
#commas.The first is a user ID and the second is that user's
#password. All subsequent tokens
#specify the set of groups that the user belongs to.

#USERNAME PASSWORD GROUPS
subscriber,subpw,group1,group2,group3
admin,adminpw,group2
publisher,pubpw,group2,group4
```

As mentioned above, this file can be used to provide the only source of user, group, and password information for the broker domain.

To deploy updated user and password information to the broker network if this information is drawn from an operating system file, stop the User Name Server and the brokers, update the file, and then restart the User Name Server and the brokers.

If passwords are drawn from the operating system, updates are automatically distributed to the brokers. Use normal operating system management tools to change users or passwords.

## Authentication in the JMS client

For client applications that use WebSphere MQ classes for Java Message Service Version 6.0 or later, the client application supports two levels of authentication.

You can configure a *TopicConnectionFactory* to support either a MQJMS\_DIRECTAUTH\_BASIC authentication mode or a MQJMS\_DIRECTAUTH\_CERTIFICATE authentication mode. The MQJMS\_DIRECTAUTH\_BASIC authentication mode is equivalent to a level of PM, and the MQJMS\_DIRECTAUTH\_CERTIFICATE authentication mode is equivalent to a level of SR.

If you have successfully configured authentication services for a Real-timeInput node, a JMS client application must specify its credentials when creating a connection. To make a connection for this configuration, the JMS client application supplies a user ID and password combination to the *TopicConnectionFactory.createTopicConnection* method; for example:

```
factory.createTopicConnection("user1", "user1pw");
```

If the application does not specify these credentials, or specifies them incorrectly, it receives a JMS wrapped exception containing the MQJMS error text.

## Using message protection

To use message protection (sometimes known as Quality of Protection (QoP)), set the enableQopSecurity parameter of the **mqsischangeproperties** command to true. The default value of this parameter is false.

To define a level of message protection for \$SYS topics, use the sysQopLevel parameter of the **mqsischangeproperties** command.

To define a level of message protection for \$ISYS topics, use the isysQopLevel parameter of the **mqsischangeproperties** command.

Choose one of the following values for these parameters:

- n** This is the default value. It gives no message protection.
- c** This provides channel integrity. With this level of protection, hackers cannot insert or delete messages without being detected.
- m** This provides message integrity. With this level of protection, hackers cannot change the content of a message without being detected.
- e** This provides message encryption. With this level of protection, hackers cannot look at the content of a message.

## Securing WebSphere MQ resources

Secure the WebSphere MQ resources that your broker domain configuration requires.

This information does not apply to z/OS.

WebSphere Message Broker depends on a number of WebSphere MQ resources to operate successfully. You must control access to these resources to ensure that the product components can access the resources on which they depend, and that these same resources are protected from other users.

Some authorizations are granted on your behalf when commands are issued. Others depend on the configuration of your broker domain.

- When you issue the command `mqsicreatebroker`, it grants put and get authority on your behalf to the group `mqbrkrs` for the following queues:
  - `SYSTEM.BROKER.ADMIN.QUEUE`
  - `SYSTEM.BROKER.CONTROL.QUEUE`
  - `SYSTEM.BROKER.EXECUTIONGROUP.QUEUE`
  - `SYSTEM.BROKER.EXECUTIONGROUP.REPLY`
  - `SYSTEM.BROKER.INTERBROKER.QUEUE`
  - `SYSTEM.BROKER.MODEL.QUEUE`
- When you issue the command `mqsicreateconfigmgr` it grants put and get authority on your behalf to the group `mqbrkrs` for the following queues:
  - `SYSTEM.BROKER.CONFIG.QUEUE`
  - `SYSTEM.BROKER.CONFIG.REPLY`
  - `SYSTEM.BROKER.ADMIN.REPLY`
  - `SYSTEM.BROKER.SECURITY.REPLY`
  - `SYSTEM.BROKER.MODEL.QUEUE`
- When you issue the command `mqsicreateusernameeserver`, it grants put and get authority on your behalf to the group `mqbrkrs` for the following queues:
  - `SYSTEM.BROKER.SECURITY.QUEUE`
  - `SYSTEM.BROKER.MODEL.QUEUE`
- When you issue the command `mqsicreateaclentry`, it grants put and get authority on your behalf to the resource or user that you have specified for the command parameters `-p` or `-u` for the following queues:
  - `SYSTEM.BROKER.CONFIG.QUEUE`
  - `SYSTEM.BROKER.CONFIG.REPLY`
- If you have created WebSphere Message Broker components to run on different queue managers, the transmission queues that you define to handle the message traffic between the queue managers must have put and setall authority granted to the local `mqbrkrs` group, or to the service user ID of the component supported by the queue manager on which the transmission queue is defined.
- When you start the workbench, it connects to the Configuration Manager using a WebSphere MQ client/server connection. For details of WebSphere MQ channel security, see "Setting up WebSphere MQ client security" in the *Clients* section of the WebSphere MQ Version 7 information center online or WebSphere MQ Version 6 information center online.
- When you create and deploy a message flow, grant:
  1. get and inq authority to each input queue identified in an MQInput node, for the broker's ServiceUserID.
  2. put and inq authority to each output queue identified in an MQOutput node, or by an MQReply node, for the broker's ServiceUserID.

3. get authority to each output queue identified in an MQOutput node or an MQReply node to the user ID under which a receiving or subscribing client application runs.
4. put authority to each input queue identified in an MQInput node to the user ID under which a sending or publishing client application runs.

## Part 2. Configuring the broker domain

<b>Configuring WebSphere Message Broker</b> . . . . .	95	Checking the operation mode of your broker	233
Planning a broker domain . . . . .	95	Modifying a Configuration Manager . . . . .	233
Considering resource naming conventions . . . . .	96	Modifying a User Name Server . . . . .	237
Designing the WebSphere MQ infrastructure . . . . .	98	Moving from WebSphere Message Broker on a distributed platform to z/OS . . . . .	239
Considering performance in the domain . . . . .	103	Deleting an execution group from a broker using the command line . . . . .	239
Configuring broker and user databases . . . . .	107	Deleting a broker . . . . .	240
Databases overview . . . . .	108	Deleting a Configuration Manager . . . . .	242
Creating the broker and user databases . . . . .	113	Disabling a User Name Server . . . . .	243
Authorizing access to the databases . . . . .	120	Deleting a User Name Server . . . . .	244
Configuring databases for global coordination of transactions . . . . .	121	Configuring a broker domain in the workbench	245
Enabling ODBC connections to the databases	124	Creating a domain connection . . . . .	246
Enabling JDBC connections to the databases . . . . .	140	Modifying domain connection properties . . . . .	248
Using retained publications with a Sybase database . . . . .	147	Deleting a domain connection . . . . .	249
Customizing the z/OS environment . . . . .	148	Adding a broker to a broker domain . . . . .	250
z/OS customization overview . . . . .	150	Copying a broker . . . . .	251
Customizing UNIX System Services on z/OS	159	Modifying broker properties . . . . .	252
DB2 planning on z/OS . . . . .	161	Renaming a broker . . . . .	253
WebSphere MQ planning for z/OS . . . . .	164	Removing a broker from a broker domain . . . . .	253
Resource Recovery Service planning on z/OS	165	Removing deployed children from a broker . . . . .	254
Defining the started tasks to z/OS Workload Manager (WLM) . . . . .	165	Adding an execution group to a broker in the workbench . . . . .	255
Automatic Restart Manager planning . . . . .	166	Copying an execution group . . . . .	256
Mounting file systems . . . . .	167	Modifying execution group properties . . . . .	256
Checking the permission of the installation directory . . . . .	167	Renaming an execution group . . . . .	257
Customizing the version of Java on z/OS . . . . .	168	Deleting an execution group . . . . .	257
Checking APF attributes of bipimain on z/OS	168	Removing deployed children from an execution group . . . . .	258
Collecting broker statistics on z/OS . . . . .	169	Configuring a publish/subscribe topology . . . . .	258
Configuring an execution group address space as non-swappable on z/OS . . . . .	169	Setting up the broker domain for publish/subscribe . . . . .	259
Creating WebSphere Message Broker components on z/OS . . . . .	169	Operating a publish/subscribe domain . . . . .	275
WebSphere Message Broker and WebSphere MQ setup verification . . . . .	172	Configuring global coordination of transactions (two-phase commit) . . . . .	277
Configuring broker domain components . . . . .	173	The Transactional model . . . . .	278
Creating a broker . . . . .	174	Configuring global coordination with DB2 using a 32-bit queue manager . . . . .	281
Adding an execution group to a broker using the command line . . . . .	187	Configuring global coordination with DB2 using a 64-bit queue manager . . . . .	283
Adding an execution group to a broker on z/OS	188	Configuring global coordination with Informix using a 32-bit queue manager . . . . .	286
Creating a Configuration Manager . . . . .	188	Configuring global coordination with Informix using a 64-bit queue manager . . . . .	288
Enabling a User Name Server . . . . .	198	Configuring global coordination with Oracle using a 32-bit queue manager . . . . .	291
Creating a User Name Server . . . . .	198	Configuring global coordination with Oracle using a 64-bit queue manager . . . . .	295
Using the Default Configuration wizard . . . . .	213	Configuring global coordination with Sybase	299
Using the Command Assistant wizard . . . . .	215	Configuring the workbench . . . . .	301
Verifying components . . . . .	217	Changing workbench preferences . . . . .	301
Connecting components . . . . .	217	Changing workbench capabilities . . . . .	302
Tuning the broker . . . . .	219	Changing Broker Administration preferences	303
Modifying the broker's publish/subscribe engine . . . . .	224	Configuring CVS to run with the Message Broker Toolkit . . . . .	303
Preparing the environment for WebSphere Adapters nodes . . . . .	226		
Preparing the environment for IMS nodes . . . . .	227		
Modifying a broker . . . . .	227		
Changing the operation mode of your broker	232		

	Configuring the Message Broker Toolkit to run	
	Rational ClearCase . . . . .	304
	Displaying selected projects in working sets . . . . .	304
	Changing locales . . . . .	305
	Changing your locale on UNIX and Linux	
	systems . . . . .	305
	Changing your locale on Windows . . . . .	307
	Changing your locale on z/OS . . . . .	308
	Code page converters . . . . .	308

---

## Configuring WebSphere Message Broker

Configuring WebSphere Message Broker involves creating and setting up all the databases, components, and connections that are required for a broker domain to which message flow applications can be deployed.

If you want to create a simple configuration on Windows or Linux on x86 to learn about WebSphere Message Broker and to run the samples in the Message Broker Toolkit Samples Gallery, run the Default Configuration wizard. The Default Configuration wizard creates the Default Configuration, which is a basic broker domain, including a broker database, a broker, a Configuration Manager, and a queue manager. See “Using the Default Configuration wizard” on page 213.

To configure WebSphere Message Broker:

1. Plan the system.
2. Create and configure the databases.
3. If you are configuring a broker domain on z/OS: Customize the z/OS environment.
4. Ensure that you have the correct authorization and permissions to create and access components. For more information, see “Authorization for configuration tasks” on page 17 and “Setting up broker domain security” on page 45
5. Create the components.
6. If you are using the Message Broker Toolkit, Configure the broker domain in the workbench.
7. If the broker domain will be used for publish/subscribe messaging: Configure the domain for publish/subscribe messaging.

---

## Planning a broker domain

When you plan a new WebSphere Message Broker domain, you must first have considered your resource naming conventions, the design of the WebSphere MQ infrastructure, and any performance issues.

The following topics describe these considerations:

- “Considering resource naming conventions” on page 96
- “Designing the WebSphere MQ infrastructure” on page 98
- “Considering performance in the domain” on page 103

When you are designing a broker domain consider the following elements.

1. **Brokers:** The number of brokers that you need in your domain depends on the following factors:
  - a. **Performance:** What is the required message throughput? See “Optimizing message flow throughput” on page 104. What is the size of the messages that are being processed? Larger messages take longer to process. A small number of brokers handling many messages might impact the broker domain’s performance. See “Considering performance in the domain” on page 103. The mode in which your broker is working, can affect the number of execution groups and message flows that you can deploy, and the types of node that you can use. See “Restrictions that apply in each operation mode” on page 364.

- b. Do you need to isolate applications from each other? You might want to separate applications that serve different functions, for example personnel and finance.
  - c. Do the brokers need to handle publish/subscribe? See Developing publish/subscribe applications.
2. **User Name Server:** Consider the following if you have a User Name Server in your broker domain:
    - a. **Performance:** If you have a large number of brokers in your broker domain, the requests that they send to the User Name Server can be handled more quickly if there is more than one User Name Server. More than one User Name Server might also be beneficial, in terms of network traffic, if your broker domain is complex.
    - b. **Resilience:** Although no standby mechanism is provided by WebSphere Message Broker, you might want to be able to redirect requests to a second User Name Server if a system error occurs on the system of your first User Name Server.
  3. **Configuration Manager:** Acts as an interface between the configuration repository, the set of brokers in the domain, and the workbench. It uses WebSphere MQ messages to communicate with the brokers, and thus a large number of brokers in a broker domain (if poorly designed) can cause congestion at the Configuration Manager. To solve this problem, consider dividing the brokers into more than one domain where related brokers are kept together. You can then establish connections with each domain; see “Creating a domain connection” on page 246.

## Considering resource naming conventions

When you plan a new WebSphere Message Broker network, one of your first tasks must be to establish a convention for naming the resources that you create within this network. There are three aspects to this:

- Product component naming conventions
- WebSphere MQ naming conventions
- Database naming conventions

### Product component naming conventions

A naming convention for WebSphere Message Broker resources throughout your network ensures that names are unique, and that users creating new resources can be confident of not introducing duplication or confusion.

The resources you must create and name within an WebSphere Message Broker network are:

#### Configuration Managers

When you create a Configuration Manager, give it a name that is unique on your system. Names must be unique between Configuration Managers and between Configuration Managers and brokers. Configuration Manager names are case sensitive on UNIX systems.

#### Brokers

When you create a broker, give it a name that is unique within your broker domain. You must use the same name for that broker when you create it on the system in which it is installed (using the command **mqsicreatebroker**) and when you create a reference to that broker in the broker domain topology in the workbench. The latter is a representation of



the physical broker (created by `mqsicreatebroker`) in the configuration repository, and this single name links the two. Broker names are case-sensitive except on Windows platforms.

### **Execution groups**

Each execution group name must be unique within a broker.

### **Message flows and message processing nodes**

Each message processing node must be unique within the message flow it is assigned to. For example, if you include two `MQOutput` nodes in a single message flow, provide a unique name for each.

Message flow names must be unique within the broker domain. Any reference to that name within the broker domain is always to the same message flow. You can assign the same message flow to many brokers.

### **Message sets and messages**

Each message name must be unique within the message set to which it belongs.

Message set names must be unique within the broker domain. Any reference to that name within the broker domain is always to the same message set. You can therefore assign the same message set to many brokers.

The User Name Server is not allocated a name when you create it. It is identified only by the name of the WebSphere MQ queue manager that hosts the services it provides.

## **WebSphere MQ naming conventions**

All WebSphere Message Broker resources have dependencies on WebSphere MQ services and objects. You must therefore also consider what conventions to adopt for WebSphere MQ object names. If you already have a WebSphere MQ naming convention, use a compatible extension of this convention for WebSphere Message Broker resources.

When you create a broker or a Configuration Manager, you must specify a queue manager name. This queue manager is created for you if it does not already exist. Because the broker and Configuration Manager each use a unique set of WebSphere MQ queues, they can share one queue manager, if appropriate. However, every broker must have a dedicated queue manager.

If you set up a User Name Server in your broker domain, this also uses a unique set of WebSphere MQ queues. The User Name Server can therefore also share a queue manager with a broker, or the Configuration Manager, or both.

Ensure that every queue manager name is unique within your network of interconnected queue managers, whether or not every queue manager is in your WebSphere Message Broker network. This ensures that each queue manager can unambiguously identify the target queue manager to which any given message must be sent, and that WebSphere Message Broker applications can also interact with basic WebSphere MQ applications.

WebSphere MQ supports a number of objects defined to queue managers. These objects (queues, channels, and processes) also have naming conventions and restrictions.

In summary, the restrictions are:

- All names must be a maximum of 48 characters in length (channels have a maximum of 20 characters).
- The name of each object must be unique within its type (for example, queue or channel).
- Names for all objects starting with the characters SYSTEM. are reserved for use by IBM.

There are a few restrictions for naming resources: see “Naming conventions for WebSphere Message Broker for z/OS” on page 632.

## Database naming conventions

Consider the naming conventions you use for databases, both for databases that you create for WebSphere Message Broker product and for databases that you create for application use.

Database tables used for brokers can be unique and local to the broker, or can be *shared*, because the rows of the tables specific to each individual broker incorporate the name of the broker. You might need to align the naming of all these databases with other databases that are in use in your broker domain.

Also ensure that the databases used for application data (accessed through message flows) are uniquely named throughout your network, so that there is no opportunity for confusion or error.

## Designing the WebSphere MQ infrastructure

When you design your broker domain, consider the WebSphere MQ resources that you need to support the components in your domain configuration, and the applications that connect to the brokers to supply or receive messages.

### WebSphere Message Broker runtime components

The WebSphere Message Broker runtime components use WebSphere MQ to exchange internally-generated messages that provide information, status, and instructions that concern the operation of those components. Connections are also required by each workbench with each Configuration Manager with which it wants to communicate.

Some of these resources that are required are created for you when you create the components that depend on them. Others depend on the configuration of your broker domain; you must create these resources yourself. The requirements associated with each type of component are described in the following topics:

- “WebSphere MQ resources for the broker” on page 100
- “WebSphere MQ resources for the Configuration Manager” on page 101
- “WebSphere MQ resources for the User Name Server” on page 102

### Applications and message flows

Your applications exchange messages and other data by communicating with message flows that are running in the broker. You can choose to connect your applications to the broker with any one of the supported communications methods. If your applications are written to use WebSphere MQ, the requirement for the

channels or client connections are determined by the types of nodes that you include in your message flows. These resources are application specific, and you must create these resources yourself.

The following nodes might require WebSphere MQ resources:

- MQInput, MQOutput, MQReply, MQOptimizedFlow, and MQGet
- Real-timeInput and Real-timeOptimizedFlow
- SCADAInput and SCADAOutput

For more information about creating resources, see the *Intercommunication* section of the WebSphere MQ Version 7 information center online or WebSphere MQ Version 6 information center online.

## Planning for publish/subscribe application support

WebSphere Message Broker supports WebSphere MQ Version 7.0; both the broker, and the queue manager it runs on, support publish/subscribe engines, and you can choose the most suitable option for your publish/subscribe applications.

If you install WebSphere MQ Version 7.0, and either create or migrate your broker queue managers to this version, you can choose whether the broker's or the queue manager's publish/subscribe engine controls all publish/subscribe application messages.

The state of the broker publish/subscribe engine overrides the state of the queue manager publish/subscribe engine. When you start a broker on a computer on which you have installed WebSphere MQ Version 7.0, the broker checks the status of its predefined publish/subscribe configurable service; the default initial configuration is for the broker to control all publish/subscribe application messages. In this default state, the broker checks, and if necessary, resets, the status of the queue manager's publish/subscribe engine, so that control is retained by the broker.

If you migrate your broker domain from WebSphere MQ Version 6.0 to WebSphere MQ Version 7.0, your publish/subscribe clients and applications are unaffected because the default state of the broker's configurable service ensures that the publish/subscribe engine of all broker queue managers is disabled.

When you install or migrate to WebSphere MQ Version 7.0, you can choose to use the queue manager's publish/subscribe engine. Although the two engines provide similar support, you might prefer to enable the queue manager's publish/subscribe engine if your environment confirms to one or more of the following scenarios:

- Your applications typically generate a large number of subscriptions. The broker's publish/subscribe engine can support a maximum of about 25000 subscriptions, but the queue manager's publish/subscribe engine has no restrictions.
- You want to use high performance publish/subscribe messages with streaming and non-queue based (put to topic) messages.
- You want a consistent model across your WebSphere MQ domain; for example, you want to use the WebSphere MQ security model.
- You have a large publish/subscribe application network already in place, based on WebSphere MQ functions. If you change this network to use the broker's publish/subscribe engine, you cannot migrate the resources associated with your applications; that is, the registrations, subscriptions, and retained subscriptions.

In addition, the ACLs you have defined are disabled. You would have to manually recreate these resources in the broker's match space.

If you decide that the queue manager's publish/subscribe engine provides the best solution for your environment, the following restrictions apply in the broker application environment:

- The Publication, Real-timeInput, Real-timeOptimizedFlow, SCADAInput, and SCADAOutput nodes are no longer supported. You can deploy message flows that include these nodes, but when a message is received, the broker throws a recoverable exception.
- Samples that use these nodes no longer work; for example, the Scribble sample.
- You cannot use the following views in the Broker Administration perspective of the workbench to manage publish/subscribe resources associated with the broker:
  - Publish/Subscribe Topology
  - Topics
  - Subscriptions

These views continue to display and interact with the state of publish/subscribe resources that are associated with the broker's publish/subscribe engine, which are inactive and irrelevant after you have disabled that engine.

Use WebSphere MQ Explorer for all actions related to resources associated with the queue manager's publish/subscribe engine.

For more information about the broker's publish/subscribe engine, see "Modifying the broker's publish/subscribe engine" on page 224.

For more information about the queue manager's publish/subscribe engine, access What's new in publish/subscribe in WebSphere MQ V7.0. For details of other enhancements and additions, see What's new in WebSphere MQ V7.0.

## WebSphere MQ resources for the broker

Each broker depends on a number of WebSphere MQ resources: some are required, others are optional and depend on your broker domain requirements. Some of these resources are created for you: you must define others yourself.

## WebSphere MQ resources created for you

When you create a broker, the following WebSphere MQ resources are created for you:

- On distributed systems, the broker's queue manager. Each broker must be associated with a dedicated queue manager. Specify a queue manager name when you create the broker. If this queue manager does not exist, it is created for you.

You can specify the same queue manager for a single broker, a Configuration Manager, and the User Name Server if you create all three components on the same computer.
- Fixed-name queues on the queue manager that hosts this broker. These queues are used by the broker to exchange messages with other components in your broker domain.

## WebSphere MQ resources that you must create yourself

Depending on the setup of your broker, you might need to create some WebSphere MQ resources yourself. You might need some or all of the following resources:

- If you create a broker on z/OS, you must create the queue manager. See “Creating a broker on z/OS” on page 179 for more details.
- If the broker and Configuration Manager do not share a queue manager, define the channels and transmission queues to support communication between the two queue managers.
- If the broker and User Name Server do not share a queue manager, define the channels and transmission queues to support communication between the two queue managers.
- Define listener connections on the broker’s queue manager. You must define one listener connection for every protocol that your applications use; for example, TCP/IP.
- If the broker will communicate with other brokers, for example in a publish/subscribe network, define the channels and transmission queues to permit two-way communication between the broker queue managers.

Create WebSphere MQ resources by using one of the following commands and utilities:

- runmqsc
- The PCF interface
- WebSphere MQ Explorer

For more information about creating resources, see the *Intercommunication* section of the WebSphere MQ Version 7 information center online or WebSphere MQ Version 6 information center online.

## **WebSphere MQ resources for the Configuration Manager**

Each Configuration Manager depends on a number of WebSphere MQ resources: some are required, others are optional and depend on your broker domain requirements. Some of these resources are created for you: you must define others yourself.

### **WebSphere MQ resources created for you**

When you create a Configuration Manager, the following WebSphere MQ resources are created for you:

- On distributed systems, the queue manager that will host this Configuration Manager. Each Configuration Manager must be associated with a queue manager. Specify a queue manager name when you create the Configuration Manager. If this queue manager does not exist, it is created for you.  
You can specify the same queue manager for a single broker, a Configuration Manager, and the User Name Server if you create all three components on the same computer.
- Fixed-name queues on the queue manager that hosts this Configuration Manager. These queues are used by the Configuration Manager to exchange messages with other components in your broker domain.
- A server connection for use by the Workbench.

### **WebSphere MQ resources that you must create yourself**

Depending on the setup of your broker, you might need to create some WebSphere MQ resources yourself. You might need some or all of the following resources:

- If you create a Configuration Manager on z/OS, you must create the queue manager. See “Creating a Configuration Manager on z/OS” on page 193 for more details.
- Define the transmission queues and channels between the Configuration Manager and each broker in your domain that the Configuration Manager will manage, except for a broker that shares its queue manager with this Configuration Manager.
- If the Configuration Manager and the User Name Server do not share a queue manager, define the channels and transmission queues to support communication between the two queue managers.
- Define listener connections on the queue manager associated with this Configuration Manager for the workbench.

Create WebSphere MQ resources by using any of the following commands and utilities:

- runmqsc
- The PCF interface
- WebSphere MQ Explorer

For more information about creating resources, see the *Intercommunication* section of the WebSphere MQ Version 7 information center online or WebSphere MQ Version 6 information center online.

### **WebSphere MQ resources for the User Name Server**

Each User Name Server depends on a number of WebSphere MQ resources: some are required, others are optional and depend on your broker domain requirements. Some of these resources are created for you: you must define others yourself.

### **WebSphere MQ resources created for you**

When you create a User Name Server, the following WebSphere MQ resources are created for you:

- On distributed systems, the queue manager that will host this User Name Server. Each User Name Server must be associated with a queue manager. Specify a queue manager name when you create the User Name Server. If this queue manager does not exist, it is created for you.  
You can specify the same queue manager for a single broker, a Configuration Manager, and the User Name Server if you create all three components on the same computer.
- Fixed-name queues on the queue manager that hosts this User Name Server. These queues are used by the User Name Server to exchange messages with other components in your broker domain.

### **WebSphere MQ resources that you must create yourself**

Depending on the setup of your broker, you might need to create some WebSphere MQ resources yourself. You might need some or all of the following resources:

- If you create a User Name Server on z/OS, you must create the queue manager. See “Creating a User Name Server on z/OS” on page 202 for more details.
- If the Configuration Manager and the User Name Server do not share a queue manager, define the channels and transmission queues to support communication between the two queue managers.

- Define the transmission queues and channels between the User Name Server and every broker in your domain (apart from the broker that shares a queue manager with the User Name Server).
- You must define listener connections on the User Name Server's queue manager for components that do not share its queue manager. You must define one listener connection for every protocol used.

Create WebSphere MQ resources by using any of the following commands and utilities:

- runmqsc
- The PCF interface
- WebSphere MQ Explorer

For more information about creating resources, see the *Intercommunication* section of the WebSphere MQ Version 7 information center online or WebSphere MQ Version 6 information center online.

## Considering performance in the domain

When you design your broker domain, and the resources associated with its components, decisions that you make can affect the performance of your brokers and applications.

### Message flows

A message flow includes an input node that receives a message from an application over a particular protocol (for example WebSphere MQ). The message must be parsed, although some parsers support partial parsing which might reduce processing. Other processing in a message flow that might affect performance are the amount, efficiency, and complexity of ESQL, access to databases, and how many message tree copies are made.

You need to consider how you split your business logic; how much work should the application do, and how much should the message flow do? Every interaction between an application and a message flow involves I/O and message parsing and therefore adds to processing time. Design your message flows, and design or restructure your applications, to minimize these interactions.

For more information about these factors, see *Optimizing message flow response times*.

### Messages and message models

The type, format, and size of the messages that are processed can have a significant effect on the performance of a message flow. For example, if you process persistent messages, these have to be stored for safekeeping.

You might need to process message with a well defined structure; if so you can create MRM models for your messages. If you have no need to interrogate the structure, you can work with BLOB messages. If you are working in XML, be aware that it can be verbose, and therefore produce large messages, but XML message content is easier to understand than other formats such as CWF. Field size and order might be important; these factors can be included in your MRM model.

For more information about these factors, see *Optimizing message flow response times* and *Performance considerations for regular expressions in TDS messages*.

### **Broker configuration and domain topology**

You can configure your broker domain to include multiple brokers, multiple systems, multiple execution groups, and so on. These can play a part in how message flows perform, and how efficiently messages can be processed.

For more information about these factors, see “Tuning the broker” on page 219, “Optimizing message flow throughput,” and Performance considerations for Real-time transport.

All these factors are examined in more detail in the Designing for Performance SupportPac™ (IP04).

For a description of common performance scenarios, review Resolving problems with performance.

For further articles about WebSphere Message Broker and performance, review these sources:

- The Business Integration Zone on developerWorks. This has a search facility; enter “performance” and review the links that are returned.
- The developerWorks article on message flow performance.
- The developerWorks article on monitoring resource use.
- A developerWorks article that describes other available resources including best practices, tools, and performance data.

### **Optimizing message flow throughput**

Each message flow that you design must provide a complete set of processing for messages received from a certain source. This design might result in very complex message flows that include large numbers of nodes that can cause a performance overhead, and might create potential bottlenecks. You can increase the number of message flows that process your messages to provide the opportunity for parallel processing and therefore improved throughput.

The mode that your broker is working in can affect the number of message flows that you can use; see “Restrictions that apply in each operation mode” on page 364.

You can also consider the way in which the actions taken by the message flow are committed, and the order in which messages are processed.

Consider the following options for optimizing message flow throughput:

#### **Multiple threads processing messages in a single message flow**

When you deploy a message flow, the broker automatically starts an instance of the message flow for each input node that it contains. This behavior is the default. However, if you have a message flow that handles a very large number of messages, the input source (for example, a WebSphere MQ queue) might become a bottleneck.

You can update the Additional Instances property of the deployed message flow in the BAR file: the broker starts additional copies of the message flow on separate threads, providing parallel processing. This option is the most efficient way of handling this situation, if you are not concerned about the order in which messages are processed.



If the message flow receives messages from a WebSphere MQ queue, you can influence the order in which messages are processed by setting the Order Mode property of the MQInput node:

- If you set Order Mode to By User ID, the node ensures that messages from a specific user (identified by the UserIdentifier field in the MQMD) are processed in guaranteed order. A second message from one user is not processed by an instance of the message flow if a previous message from this user is currently being processed by another instance of the message flow.
- If you set Order Mode to By Queue Order, the node processes one message at a time to preserve the order in which the messages are read from the queue. Therefore, this node behaves as though you have set the Additional Instances property of the message flow to zero.

For publish/subscribe applications that communicate with the broker over any supported protocol, messages for any given topic are published by brokers in the same order as they are received from publishers (subject to reordering based on message priority, if applicable). Therefore each subscriber receives messages from a particular broker, on a particular topic, from a particular publisher, in the order that they are published by that publisher.

However, it is possible for messages, occasionally, to be delivered out of order. This situation can happen, for example, if a link in the network fails and subsequent messages are routed by another link.

If you need to ensure the order in which messages are received, you can use either the **SeqNum** (sequence number) or **PubTime** (publish time stamp) parameter on the **Publish** command for each published message, to calculate the order of publishing.

For more information about the techniques recommended for all MQI and AMI users, see the *Application Programming Reference* and *Application Programming Guide* sections in the WebSphere MQ Version 7 information center online or WebSphere MQ Version 6 information center online for programs written to the MQI, and the *WebSphere MQ Application Messaging Interface* book for programs written to the AMI.

The *WebSphere MQ Application Messaging Interface* book is available from the WebSphere MQ library Web page (listed under Version 5.3), or from SupportPac MA0F on the WebSphere MQ SupportPacs Web page.

See also the *Publish/Subscribe User's Guide* section in the WebSphere MQ Version 7 information center online or WebSphere MQ Version 6 information center online.

WebSphere MQ Everyplace<sup>®</sup> and SCADA applications use a different method of message ordering as described in WebSphere MQ Mobile Transport and WebSphere MQ Telemetry Transport. The broker does not provide message ordering for messages received across WebSphere MQ Web Services Transport, WebSphere MQ Real-time Transport, or WebSphere MQ Multicast Transport.

### **Multiple copies of the message flow in a broker**

You can also deploy several copies of the same message flow to different execution groups in the same broker. This option has similar effects to increasing the number of processing threads in a single message flow, although typically provides less noticeable gains.

This option also removes the ability to determine the order in which the messages are processed, because, if there is more than one copy of the message flow active in the broker, each copy can be processing a message at the same time, from the same queue. The time taken to process a message might vary, and multiple message flows accessing the same queue might therefore read messages from the input source in a random order. The order of messages produced by the message flows might not correspond to the order of the original messages.

Ensure that the applications that receive message from these message flows can tolerate out-of-order messages.

### **Copies of the message flow in multiple brokers**

You can deploy several copies of the same message flow to different brokers. This option requires changes to your configuration, because you must ensure that applications that supply messages to the message flow can put their messages to the right input queue or port. You can often make these changes when you deploy the message flow by setting the message flow's configurable properties.

### **The scope of the message flow**

You might find that, in some circumstances, you can split a single message flow into several different flows to reduce the scope of work that each message flow performs. If you do split your message flow, be aware that it is not possible to run the separate message flows in the same unit of work, and if transactional aspects to your message flow exist (for example, the updating of multiple databases), this option does not provide a suitable solution.

The following two examples show when you might want to split a message flow:

1. In a message flow that uses a RouteToLabel node, the input queue has become a bottleneck. You can use another copy of the message flow in a second execution group, but this option is not appropriate if you want all of the messages to be handled in the order in which they are shown on the queue. You can consider splitting out each branch of the message flow that starts with a Label node by providing an input queue and input node for each branch. This option might be appropriate, because when the message is routed by the RouteToLabel node to the relevant Label node, it has some level of independence from all other messages.

You might also need to provide another input queue and input node to complete any common processing that the Label node branches connect to when unique processing has been done.

2. If you have a message flow that processes very large messages that take a considerable time to process, you might be able to:
  - a. Create other copies of the message flow that use a different input queue (you can set this option up in the message flow itself, or you can update this property when you deploy the message flow).
  - b. Set up WebSphere MQ queue aliases to redirect messages from some applications to the alternative queue and message flow.

You can also create a new message flow that replicates the function of the original message flow, but only processes large messages that are immediately passed on to it by the original message flow, that you modified to check the input message size and redirect the large messages.

### The frequency of commits

If a message flow receives input messages on a WebSphere MQ queue, you can improve its throughput for some message flow scenarios by modifying its default properties after you have added it to a BAR file. (These options are not available if the input messages are received by other input nodes; commits in those message flows are performed for each message.)

The following properties control the frequency with which the message flow commits transactions:

- Commit Count. This property represents the number of messages processed from the input queue before an MQCMIT is issued.
- Commit Interval. This property represents the time interval that elapses before an MQCMIT is started.

---

## Configuring broker and user databases

A broker stores internal performance and operational data in a database that you must create and configure before you create the broker. You might also choose to access databases to hold application or business data.

Multiple brokers that are at the same version can store their tables in a single database schema, if appropriate, even if they are not on the same computer.

Databases that hold application or business data are known as user databases, and are read from and written to by nodes within the message flows that you deploy to one or more brokers in your domain.

In some situations, the data that you hold in user databases might be critical to the success of your applications, and a particular step in their processing. You might therefore need to coordinate table updates, or the writing to one database with the deletion of data in another. To achieve these goals, you must configure your databases, your brokers, and your message flows to be globally coordinated.

For more information about the requirement for, and set up of, broker and user databases, and the restrictions that apply, see “Databases overview” on page 108.

**z/OS** For additional information about setting up databases on z/OS, see “DB2 planning on z/OS” on page 161 and “Customizing the z/OS environment” on page 148.

The process of making databases available has the following phases:

1. Required: Create and configure a broker database.

If you are migrating from a previous release, you can continue to use the same broker database, but you must check and update your ODBC configuration to ensure continued database access. Database access requires different configuration in each release; see *Migrating from Version 6.0 products* or *Migrating from Version 5.0 products*.

If you are not migrating, you must create and configure a database for each broker that you create, and you must configure the ODBC resources required by the broker to connect to that database.

Optional: if you want to deploy publish/subscribe message flow applications, and you have created a broker database on a Sybase database instance, you must modify the database to operate successfully in this environment.

2. Optional: Create and configure user databases. If your message flows interact with databases, you must create and configure those databases ready for connection by the broker on behalf of the message flows. For user databases, you can configure ODBC and JDBC connections.
3. Optional: If your user databases contain critical information, coordinate their updates through a transaction manager.  
On distributed systems, the WebSphere MQ queue manager is the transaction manager that interacts with the resource managers (the database providers). On z/OS, RRS provides equivalent coordination.

To complete these phases:

1. For a new installation, create and configure the broker database:
  - a. Create the databases.
  - b. Authorize access to the database.
  - c. Enable the ODBC connection.
  - d. Optional: If you are creating a publish/subscribe broker domain *and* you are using a Sybase broker database, configure the database to support retained publications.

For an existing broker that you are migrating, follow the instructions in the appropriate topics in Migrating and upgrading.

You have now completed the only mandatory step for database configuration; now you can create and configure your broker domain components:

- a. If you have one or more components on z/OS, customize the z/OS environment.
  - b. Configure broker domain components.
  - c. Configure a broker domain in the workbench.
  - d. Optional: If you want to establish a publish/subscribe network, configure a publish/subscribe topology.
2. Optional: If you want to access user databases from your deployed message flows, create and configure additional databases and connections:
    - a. Create the databases.
    - b. Authorize access to the databases.
    - c. Optional: If you want your databases to participate in globally coordinated transactions, configure the databases for global coordination.
    - d. Enable an ODBC connection or enable a JDBC connection to each database.
  3. Optional: If you want your databases to participate in globally coordinated transactions, configure the environment for global coordination.

## Databases overview

WebSphere Message Broker components use databases for two purposes: *broker databases* are used to store internal data about the broker, and *user databases* contain your business data. You must create and configure the broker database before you can create a broker. If you have user databases, you must configure them also before you can access them from your message flow.

WebSphere Message Broker supports the databases that are listed in Supported databases for both broker and user databases. If you access user databases, you cannot access some of the data types that are supported by these databases. The supported data types are defined in Data types of values from external sources.

## Broker databases

A broker stores configuration and control information in its database. You must create the broker database before you can create the broker because when the broker is created, the broker's tables are automatically created and initialized.

**Linux** **UNIX** If you create a broker on Linux or UNIX systems, depending on your operating system, you can create the broker database in DB2, Oracle, SQL Server, or Sybase.

**Windows** On Windows, you can create the broker database in DB2, Oracle, SQL Server, Sybase, or Derby. See Supported databases to check which databases are supported on your operating system.

If you create a 64-bit execution groups in the broker, the broker database must be a 64-bit database instance.

When you create a broker, the required database tables are created in the default schema that is associated with the user ID used to access the database. Specify this user ID when you run the `mqsicreatebroker` command.

- For DB2 and Oracle, the default behavior is for the schema name to be the same as the user ID that is used to access the database.
- For Sybase and SQL Server, the typical behavior is to use the database-owning schema, *dbo*.

You can create a database schema for each broker, or you can configure brokers to share a database schema if all brokers are at the same version.

WebSphere Message Broker does not require a particular schema or set of tablespaces; you can configure the database and access privileges of the user ID to choose your own values.

The size of the broker database is not fixed; it depends on the complexity of your message flows and message sets. If you develop message flows that support many publishers or subscribers, you might need to increase your initial sizings.

When you have created a broker database, you must enable a connection from the broker to the database. On all platforms, the broker connects to databases using ODBC. For 32-bit brokers (Windows and Linux on x86), you must always enable a 32-bit ODBC connection. For 64-bit brokers (all other platforms), you must always enable a 64-bit ODBC connection. ODBC drivers are supplied with WebSphere Message Broker.

For more information about enabling 32-bit and 64-bit connections to the broker database see "Broker database connections" on page 110

## User databases

User databases are the databases in which you store the business data that is processed by message flow applications. You can create user databases using any of the database managers that you can use for broker databases. Additional local and remote database managers are also supported; for example, Informix® can be used for user databases even though it is not supported for broker databases,

while SQL Server running on Windows can be accessed from some Linux and UNIX systems. For more information, see Supported databases and Database locations.

You must set up connections to the user databases so that the broker can access the databases on behalf of its deployed message flows. Both ODBC and JDBC connections are supported; some restrictions apply on some platforms, as described in the topics in this section. ODBC drivers are supplied and installed with the broker component. JDBC drivers are not supplied by WebSphere Message Broker; you must obtain these files from your database vendor. Supported drivers are listed in Supported databases.

ODBC connections are specific to either 32-bit or 64-bit mode. You must set up connections to the user databases depending on whether the message flows that access the user databases are deployed to 32-bit or 64-bit execution groups, and whether the message flow transactions are globally coordinated by a 32-bit or a 64-bit queue manager. JDBC connections are not dependent on 32-bit or 64-bit mode except where stated.

For information about 32-bit and 64-bit connections to user databases see “User database connections” on page 112.

## **Databases created by the Default Configuration wizard**

On Windows or Linux on x86, if you use the Default Configuration wizard to create the Default Configuration, the wizard automatically creates a broker database for the broker. On Linux systems, the wizard creates the broker database using DB2; on Windows, if DB2 is not installed, the wizard uses the Derby database manager by default, although you can choose to use DB2 if it is installed.

## **Broker database connections**

Create connections from each broker to its database using ODBC.

Broker components and execution groups read and write data about internal operations to a broker database. The number of connections needed depends on the actions of the message flows that the broker processes. Each broker needs the following connections:

- Five for internal broker threads.
- One for each Publish/Subscribe neighbor, if you are using retained publications and the topology has been deployed.
- One for each message flow thread that contains a Publication node, if you are using retained publications.
- One for each message flow thread that parses MRM messages.
- A further number if you are using SCADA nodes with WebSphere MQ Everyplace. The exact number to add depends on whether thread pooling is being used (determined by the Use Thread Pooling property of the SCADAInput node):
  - If Use Thread Pooling is not selected (the default setting) add the number of SCADA clients that will connect to the SCADAInput node.
  - If Use Thread Pooling is selected, add the value in the Max Threads property of the SCADAInput node. The default value is 500.

If you are using the same database for several brokers, include all brokers in your calculations.

When you start a broker, it opens all connections that it needs to the broker database for its own operation. When you stop the broker, it releases all current database connection handles.

The broker also opens connections to WebSphere MQ queues and to user databases when it needs to use them, and these connections remain open until:

- The connection has been idle for one minute

- The broker is stopped

**Linux** **UNIX** **Windows** On Linux, UNIX, and Windows systems, to avoid breaking global coordination, database connections are released only for message flows that are not globally coordinated.

**z/OS** On z/OS, database connections for globally coordinated message flows are also released if the database has not been accessed for one minute.

If you are using DB2 for your database, the default action taken by DB2 is to limit the number of concurrent connections to a database to the value of the **maxappls** configuration parameter. The default for **maxappls** is 40. Increase this parameter and the associated parameter **maxagents** to new values based on your calculations, if appropriate.

## 32-bit and 64-bit considerations

On all platforms that support 32-bit execution groups, the broker needs 32-bit access to the data source. You must therefore always define a 32-bit ODBC data source name (DSN) for the broker to connect to the broker database; this definition is required even if the broker has a 64-bit database, in which case you must present the broker with an environment that provides a 32-bit-compatible interface to the database (see “Setting your environment to support 32-bit access to databases” on page 139).

Execution groups on a broker must also be able to connect to the broker database. A 32-bit execution group on a 32-bit broker can connect to the broker database using the same 32-bit DSN definition that the broker uses. A 64-bit execution group on a 32-bit broker, however, needs a 64-bit ODBC connection to be able to connect to the broker database, therefore you must define a 64-bit ODBC DSN for the broker database in addition to the broker’s 32-bit DSN definition.

When message flow transactions are globally coordinated, the queue manager must also be able to connect to the broker database; if the transactions are globally coordinated by a 64-bit queue manager (all WebSphere MQ Version 6 queue managers on 64-bit platforms are 64-bit), you must define a 64-bit ODBC DSN for the broker database, even if the broker and the execution group are 32-bit applications.

On HP-UX on Itanium, Linux on POWER™, Linux on System z®, and Solaris on x86-64, a 64-bit broker supports only 64-bit execution groups, therefore an execution group can access the broker database using the same 64-bit DSN definition that the broker uses; a 32-bit DSN definition is not required.

For 32-bit and 64-bit considerations when connecting to user databases, see “User database connections” on page 112.

For help when you are deciding whether to create 32-bit DSNs, 64-bit DSNs, or both, for your broker database, see “Enabling ODBC connections to the databases” on page 124.

## User database connections

User databases contain your business data that is written and accessed by deployed message flows. You must create connections from the broker to the user database using ODBC or JDBC.

The broker requires a database connection for each data source name (DSN) that is referenced in the message flow, even if different DSNs resolve to the same physical database.

The number of connections to a user database that a broker requires depends on the actions of the message flows that access the database. For each message flow thread, a broker that accesses a user database makes one connection for each data source name (DSN). If a different node on the same thread uses the same DSN, the same connection is used, unless a different transaction mode is used, in which case another connection is required. For further information about transactions, see Database connections for coordinated message flows.

When you start a broker, and while it is running, it opens connections to WebSphere MQ queues and to databases. The broker makes the connections when it needs to use them, and they remain open until:

- The message flow has been idle for one minute

- The message flow is stopped

- The broker is stopped

Database connections from message flows that are not globally coordinated are released when a flow has no work. For example, a connection is released if the message flow input queue has no messages, and the database has not been accessed for one minute.

**Linux** **UNIX** **Windows** On Linux, UNIX, and Windows systems, to avoid breaking global coordination, database connections are released only for message flows that are not globally coordinated.

**z/OS** On z/OS, database connections for globally-coordinated message flows are also released if the database has not been accessed for one minute.

If you are using the same database for business data and for broker internal data, add the two connection requirements together when you calculate how many connections are required. For details of broker database connection requirements, see “Broker database connections” on page 110.

If you are using DB2 for your database, the default action is to limit the number of concurrent connections to a database to the value of the **maxappls** configuration parameter. The default for **maxappls** is 40. If you believe that the connections that the broker might require exceeds the value for **maxappls**, increase this and the associated parameter **maxagents** to new values based on your calculations.

If you are using another database, check the database documentation for information about connections and the limits or restrictions that might apply.



When a message flow is idle, the execution group periodically releases database connections. Therefore, connections held by the broker reflect the broker's current use of these resources. This situation allows the broker to respond when a database quiesces, provided that the database manager supports quiescing. Not all databases support the quiesce function, and not all databases quiesce in the same way. Check your database documentation for information about database quiescing.

### 32-bit and 64-bit considerations

If you are creating ODBC connections to your user databases, ensure that you correctly create 32-bit, 64-bit, or both, connections for each DSN. If you are creating JDBC connections, their use is independent of 32-bit or 64-bit mode.

If a message flow that accesses the user database is deployed to a 32-bit execution group, you must define a 32-bit ODBC data source name (DSN) for the user database so that the broker can connect to the user database on behalf of the message flow.

If the message flow is deployed to a 32-bit execution group and the message flow transactions are globally coordinated by a 64-bit queue manager (all WebSphere MQ Version 6 queue managers on 64-bit platforms are 64-bit), you must define both a 32-bit ODBC DSN and a 64-bit ODBC DSN for the user database. You must also define a 64-bit ODBC DSN for the broker database; see "Broker database connections" on page 110.

If a message flow that accesses the user database is deployed to a 64-bit execution group, define a 64-bit ODBC DSN for the user database so that the broker can connect to the user database on behalf of the message flow. You cannot use a 32-bit queue manager to globally coordinate a message flow that is deployed to a 64-bit execution group so you do not need to define a 32-bit ODBC DSN for the user database.

For 32-bit and 64-bit considerations when connecting to the broker database, see "Broker database connections" on page 110.

For help when you are deciding whether to create 32-bit DSNs, 64-bit DSNs, or both, for your user databases, see "Enabling ODBC connections to the databases" on page 124.

## Creating the broker and user databases

Before you can create a broker, you must create a database in which the broker can store its internal data; multiple brokers can store their tables in a single database.

If you need to create user databases to store your application and business data so that message flows can store, update, or retrieve the data, create the databases using these same instructions.

For information about which databases you can use, see Supported databases.

**z/OS** For information about setting up databases on z/OS, see "DB2 planning on z/OS" on page 161 and "Customizing the z/OS environment" on page 148.

To create the databases on distributed systems:

1. If you are creating Oracle databases for 32-bit brokers on UNIX systems, run the `mqssetupdatabase` command before you create a database. For details, see

the “`mqsi_setupdatabase` command” on page 615. Do not complete this step for any other database manager, or for Oracle databases on Linux or Windows.

2. Create the databases that you require. Choose a unique name for each broker database, for example WBRKBKDB, and keep a note of it for when you create the broker.
  - For DB2, follow the instructions in “Creating a DB2 database on Windows” or “Creating a DB2 database on Linux and UNIX systems” on page 115.
  - For Derby, see the “`mqsicreatedb` command” on page 510. Derby database support is described in “Using Derby databases on Windows” on page 117.
  - For other supported database managers, see the documentation supplied with that database manager.
3. If you are creating Sybase databases on AIX<sup>®</sup>, run the Sybase profile before you run `mqsiprofile`. For more information about using `mqsiprofile` to initialize command environments on Linux and UNIX platforms, see Command environment: Linux and UNIX systems

You have now created a database for your broker and, if required, databases for your business data.

**Next:** return to the instructions in “Configuring broker and user databases” on page 107.

## Creating a DB2 database on Windows

You can use the `mqsicreatedb` command or the DB2 Control Center to create a DB2 database. Alternatively, if you prefer, you can use any other method supported by DB2 (including command line or batch files); refer to the DB2 documentation for details of how to do this.

When you create a broker, you specify the user name and password that are used to connect to the broker database. The process of creating a broker creates the necessary broker tables in the user’s schema within the broker database if the tables do not already exist. DB2 authenticates the user name using operating system user management; you do not have to define the user name to DB2 itself.

1. If you want to create a database with the `mqsicreatedb` command, enter the command at the command line, specifying the appropriate parameters. You must provide a user name and password that is known to DB2. Indicate that you want to create a DB2 database (not a Derby database). For more information about these and other parameters, refer to the `mqsicreatedb` command.

If you want to use the Control Center instead of the `mqsicreatedb` command, complete step 2.

2. Start the DB2 Control Center. For each database you want to create:
  - a. Expand **All Systems** in the object tree in the DB2 Control Center until you find **Databases**. Right-click **Databases** and click **Create Database** → **Standard**.
  - b. Enter a name and alias for your database. If you have a naming convention for databases, choose a compatible name. The alias name can be the same as the database name. Database names are limited to eight characters. For example, enter WBRKBKDB.
  - c. Click **Done**.

3. You must increase the database heap size to ensure it is sufficient for the broker. This task is described in “Changing the Database Heap Size on DB2 broker databases” on page 116.
4. When you have completed these steps for every database you have created, click **OK**.

If you use the DB2 command line to create the databases, you must bind the db2cli package to the database. You do not have to do this if you used the DB2 Control Center wizard, the **mqsicreatedb** command, or if you created the broker with the Default Configuration wizard.

1. Open a DB2 Command Line Processor window.
2. Connect to the broker database using the following command:  
db2cmd db2 CONNECT to <YourBrokerDatabaseName>
3. Enter the following commands, where c:\ is the drive on which you installed DB2. You must enter your full DB2 installation path; do not use spaces or quotes.  
db2 bind C:\SQLLIB\BND\@db2ubind.1st GRANT PUBLIC  
db2 bind C:\SQLLIB\BND\@db2cli.1st GRANT PUBLIC
4. Repeat the previous two steps for every broker database.

## Creating a DB2 database on Linux and UNIX systems

Create a DB2 database for a broker or user database.

When you create a broker, you specify the user name and password that are used to connect to the broker database. The process of creating a broker creates the necessary broker tables in the user’s schema within the broker database, if the tables do not already exist. DB2 authenticates the user name by using the operating system’s user management; you do not have to define the user name to DB2 itself.

To create a DB2 database on Linux or UNIX:

1. Log on as root.
2. Create a database instance. Use the commands shown here for guidance for the different platforms.
  - On AIX:  
`/usr/lpp/db2_08_01/instance/db2icrt -u fence_userID username`
  - On Linux, Solaris, or HP-UX:  
`/opt/IBM/db2/V8.1/instance/db2icrt -u fence_userID username`

The *username* that you specify on this command determines the nominated owner of the database instance. Log on as this user whenever you perform any actions against the database instance (for example, creating or modifying a database). The command examples that are used in this topic assume that you are logged on as *username*, and use the tilde (~) character to indicate this user ID in the DB2 commands issued.

If you are not logged on as the user that owns the database instance, you must modify the commands shown to specify explicit ownership by specifying the owner user ID *username* following the ~ character wherever it is used in the examples.

The *fence\_userID* refers to the user ID under which stored procedures run. You can specify a different ID to the instance owner ID for the database for extra security and protection, which is achieved because the stored procedure runs under a different ID, and therefore in a different process, to the database instance itself.

For further explanation of database ownership, refer to the DB2 library.

3. Log on as *username*
4. Create a database (in this example called WBRKBKDB) by using the following commands (on some platforms, an explicit path name is required).  
You *must* insert a space between the starting period and the tilde character in the first command shown here:

```
. ~/sql1lib/db2profile
db2start
db2 create database WBRKBKDB
db2 connect to WBRKBKDB
db2 bind ~/sql1lib/bnd/@db2cli.lst grant public CLIPKG 5
```
5. You must increase the database heap size to ensure that it is sufficient for the broker. This task is described in “Changing the Database Heap Size on DB2 broker databases.”
6. If you are using 32-bit execution groups, set the environment variable MQSI\_LIBPATH32 to include the 32-bit database libraries. See “Enabling ODBC connections to the databases” on page 124 for further information about how to set this variable.

When you issue the command that creates the broker, tables are created within the database to hold the information required.

### Changing the Database Heap Size on DB2 broker databases

Increase the value of the Database Heap Size parameter for each broker database to ensure that the heap size is sufficient.

Each database in a DB2 instance is associated with a heap (temporary storage) but the default size of the heap (measured in 4 KB pages) is too low for the broker to use. Therefore, if you create broker databases in DB2, you must increase the heap size to at least 900, which gives the broker database 3600 KB of storage space (that is, 900 multiplied by 4 KB pages).

#### Using the DB2 Control Center:

To change the Database Heap Size using the DB2 Control Center:

1. Start the DB2 Control Center.
  - On Windows, click **Start** → **Programs** → **IBM DB2** → **General Administration Tools** → **Control Center**
  - On Linux and UNIX, enter the following command (ensure that you have already run the DB2 profile so that the shell is running the DB2 environment): `db2cc`
2. For each broker database that you have created:
  - a. In the tree, expand the database name, then click **Configure Parameters**. The Database Configuration dialog opens.
  - b. In the Database Configuration window, click **Performance** → **DBHEAP**.
  - c. Click the cell in the **Value** column, then click the button labelled ... The Change Database Configuration Parameters dialog opens.
  - d. Set the value of the DBHEAP parameter to at least 900 (the maximum value that you can enter is 60000), then click **OK**. The Change Database Configuration Parameters dialog closes and the new value is shown in the cell in the **Pending Value** column.
  - e. Click **OK**. The new value is applied and a message is displayed to show that it was changed successfully.

- f. Click **Close** to close the message and return to the main DB2 Control Center window.

The heap size of the broker database is changed.

#### **Using the command line:**

1. Open a DB2 command window.
2. Enter the following command, where *WBRKDB* is the name of the broker database and *900* is the number of 4 KB pages:

```
db2 update database configuration for WBRKDB using dbheap 900
```

The heap size of the broker database is changed.

## **Using Derby databases on Windows**

Set up your environment to access a Derby database.

Derby refers to the DB2 database product that is based on the Apache Derby open source project from the Apache Software Foundation. Derby database support is embedded in the broker component on Windows only.

This topic describes the processes, services, IP ports, and database files that are required to support Derby on Windows.

### **Security**

The Derby database has no associated security controls, and no optimizations have been performed. For these reasons, do not use Derby in a production environment.

### **DB2 Run-Time Client use**

A broker uses ODBC to connect to Derby databases. Derby is a native Java database engine without ODBC support. The DB2 Run-Time Client provides the drivers that allow ODBC to access Derby databases. The DB2 Run-Time Client is used only for providing and managing the ODBC connection between a broker and the Derby database. It does not provide a DB2 database and therefore does not consume the resources that a full DB2 installation typically requires.

### **Database Instance Manager (managing, creating, deleting, and running databases)**

You must create and start a network server to enable access to Derby databases through ODBC from external programs. When you create the first Derby database using the `mqscreatedb` command, a Windows service is also created. The service is called IBM MQSeries® Broker DatabaseInstanceMgr6, and starts automatically when Windows starts, under the user name that you supplied with the `mqscreatedb` command. The service is referred to as DatabaseInstanceMgr component, and starts the network server. DbInstMgr is the internal component name of the Database Instance Manager.

All Derby databases that you create using the `mqscreatedb` command are served by one instance of the DatabaseInstanceMgr and network server. Before the network server can function, it requires a TCP/IP port number. The default port number for Derby is 1527 (use this port when you create a Derby database). You can specify a different port number when you issue the `mqscreatedb` command to create a Derby database for the first time. However, you cannot subsequently

change the port number after a network server has been set up, without first using `mqsidedeletedb` to remove all Derby databases.

Run the command `mqsilist DatabaseInstanceMgr` to produce a list all of the databases that have been created by the `mqsicreatedb` command. You can remove the `DatabaseInstanceMgr` and the network server after the last Derby database has been deleted, using the `mqsidedeletedb` command.

If the password of the user name under which the Windows service runs is changed, use the `mqsichangedbimgr` command to update the service with the new password. You can also use the `mqsichangedbimgr` command to change the user name of the service. Use the `mqsistart` and `mqsistop` commands to start and stop the `DatabaseInstanceMgr` component.

### **Multiplicity (brokers, dbiMgrs, installations, databases)**

The number of databases that you can create with the `mqsicreatedb` command is limited only by availability of system resources. A maximum of one `DatabaseInstanceMgr` is created irrespective of how many databases have been created. If you have installed multiple instances of WebSphere Message Broker, all instances use a single instance of the `DatabaseInstanceMgr` component.

### **Removing databases and the DatabaseInstanceMgr component**

Use the `mqsidedeletedb` command to clear all resources created by the `mqsicreatedb` command. When the last Derby database is deleted, the `DatabaseInstanceMgr` and network server are also stopped and removed. If the database files cannot be deleted using the `mqsidedeletedb` command, you can delete them manually.

### **Issuing database commands on Windows**

On Windows, use special commands to create and delete databases for use by a broker or by applications.

Only DB2 and Derby databases are supported with the supplied commands:

- “`mqsicreatedb` command” on page 510
- “`mqsidedeletedb` command” on page 536
- “`mqsichangedbimgr` command” on page 414

#### Windows

The `mqsilist` command lists the databases that have been created using the `mqsicreatedb` command. Only databases created using the `mqsicreatedb` command can be deleted using the `mqsidedeletedb` command.

The Default Configuration wizard and the Prepare Samples wizard use the `mqsicreatedb` command to create the databases for the broker and the samples, using the default database engine. Therefore, you can list these databases using the `mqsilist DatabaseInstanceMgr` command.

Use the `mqsisetdbparms` command to manage the access security for user databases only. It has no effect on Derby databases, which have no access security protection, nor on broker databases in general, which are governed by the access security settings in the broker itself. The rest of this topic applies only to the `mqsicreatedb`, `mqsidedeletedb`, and `mqsichangedbimgr` commands.

## Supported database engines

If DB2 version 8.1 Fix Pack 7 or later is installed, both DB2 and Derby databases can be created and used. If DB2 Run-time Client Version 8.2 is installed, only Derby databases are supported. If an earlier version of DB2 is installed, only DB2 databases can be created.

The `mqscreatedb` command has an option to select the database engine to use (either DB2 or Derby). The default for this option is DB2 unless only DB2 Run-time Client Version 8.2 is installed, in which case a Derby database is created.

## Database Instance manager

The databases that are created by `mqscreatedb` are managed by a component called the Database Instance manager. This component exists only on Windows. The component stores a list of all the databases created and which database engine is used for each database. No process or Windows service is required for the Database Instance manager component, and if you start the component it is not recognized.

The first time a Derby database is created, a Windows service called IBM MQSeries Broker DatabaseInstanceMgr6 is created and started. This service is required in order to access Derby databases. This service can be started or stopped by the `mqsistart` and `mqsistop` commands, and automatically starts when Windows is started, if necessary. The service is deleted when the last Derby database is deleted. At most one Database Instance manager Windows service exists, even if you install WebSphere Message Broker more than once on your Windows computer (multiple installed instances).

The database commands affect all the databases created in any installed instance on your Windows computer, regardless of the instance under which they are created. For example, the `mqsilist DatabaseInstanceMgr6` command lists all the databases that have been created using the `mqscreatedb` command on this Windows computer. Use the `mqsichangedbimgr` command to change the user name and password under which the Database Instance manager Windows service is run. Run this command only if passwords change or if user names are updated after the initial installation and configuration. For more information, see “Using Derby databases on Windows” on page 117.

## Creating and deleting databases

Use the `mqscreatedb` command to create databases for broker use or for application use. The Prepare Samples wizard and the Default Configuration wizard, for example, use the `mqscreatedb` command to create their databases on Windows. Not only is the database itself created (in either DB2 or Derby), but the ODBC data source name (DSN) is also created (with the same name).

Because the data source names and the instance manager component are system wide, you cannot create two databases with the same name, on the same Windows computer, even if they are for brokers on different installed instances of WebSphere Message Broker. The `mqscreatedb` command warns you if this is attempted. A database created using the `mqscreatedb` command can be deleted by the `mqsdeletedb` command, even if that database is in use by a broker. See the links to the command descriptions for more information.

## Authorizing access to the databases

When you have created a broker or user database, you must authorize the broker and its execution groups to access it.

Before you start, create the databases.

When you run the `mqsicreatebroker` command, you must specify at least one user ID for runtime authorization (the service user ID); you can specify a second user ID specifically for the broker to use when connecting to databases (the data source user ID). If you do not specify a separate data source user ID for connecting to databases, the broker uses its service user ID for database access as well.

The user ID that the broker uses to access databases must have the following authorizations:

- The user ID must be authorized to connect to the database.
- Before you can create a broker, the user ID must have authorization to create tables in the broker database.
- The user ID must have appropriate privileges on the user database objects that are accessed by the message flow application; for example, tables, procedures, and indexes.

You specify the service user ID and its password with the `-i` and `-a` flags, and the optional database connection user ID and password with the `-u` and `-p` flags.

The way that you authorize access depends on the database manager you are using, and the platform on which you have created it. Authorization is required only for the DB2 and Oracle database managers:

- “DB2 authorization”
- “Oracle authorization” on page 121

### DB2 authorization

To authorize access to a DB2 database using the DB2 Control Center:

1. Start the DB2 Control Center.
2. Expand the object tree until you find the database that you created for the broker.
3. Expand the tree under the database then click the **User and Group Objects** folder. The **DB Users** and **DB Groups** folders are displayed in the right pane.
4. In the right pane, right-click the **DB Users** folder then click **Add**. The Add User notebook opens.
5. From the list, click the user ID that you want to authorize to access the database (for example, `mqsuid`). The user ID that you select must be the user ID that you specify to be used for database access when you create the broker. The user ID must exist on the operating system before you can select it; if it does not exist, define the user ID on the operating system.
6. Select the appropriate options from the choices in the dialog that is labelled **Choose the appropriate authorities to grant to the selected user** for the database. The available options are:
  - Connect database
  - Create tables
  - Create packages
  - Register functions to execute in database manager’s process



7. Click **OK**. The authorities are granted. The dialog closes.
8. Close the DB2 Control Center.

If you prefer, you can use the following commands instead of using the DB2 Control Center.

To authorize access to a DB2 database:

1. Connect to the database with a user ID that has DB2 system administration (SYSADM or DBADM) authority (substitute the correct database and ID in this command):  

```
db2 connect to broker_db user SysAd_id
```
2. Issue the following command to grant the required privileges to the user ID that the broker will use to connect to the database (substitute the correct ID for your broker in this command if you are not using the sample `mqsuid`):

```
db2 grant connect, createtab, bindadd, create_external_routine on database to user mqsuid
```

For more information, see the documentation that is supplied with the DB2 Control Center. Your database administrator might also be able to offer advice and assistance.

**Next:** return to the instructions in “Configuring broker and user databases” on page 107.

## Oracle authorization

You must have database administrator (DBA) privileges to authorize access to an Oracle database.

To authorize access to an Oracle database:

1. Log on as the Oracle DBA (database administrator) to the database using SQL\*Plus.
2. Modify the privileges of the user ID that you have specified for database connection to ensure that the broker can successfully access the database. The user ID needs quota in its tablespaces and sufficient privilege to allow the creation of, and updates to, the broker tables:

```
GRANT CREATE SESSION TO dbid;  
GRANT CREATE TABLE TO dbid;
```

If you expect to deploy message flows that participate in globally coordinated transactions to a broker, you must provide additional authorization. For more information, see “Configuring databases for global coordination of transactions.”

For further information, refer to the Oracle documentation.

**Next:** return to the instructions in “Configuring broker and user databases” on page 107.

## Configuring databases for global coordination of transactions

If your message flow interacts with a user database, and you want to globally coordinate the updates made to the database with other actions within the message flow, configure your databases for global coordination.

**Before you start,** create your database and authorize access to it.

If you restart a user database while the broker is still running, you must also restart the broker. The broker cannot detect that the database has stopped, therefore WebSphere MQ retains its connections to the database. When the database starts again, the broker tries and fails to use these old connections.

To configure databases for coordinated message flows, follow the instructions relevant to your database manager:

- “Configuring DB2 for global coordination of transactions”
- “Configuring Informix for global coordination of transactions” on page 123
- “Configuring Oracle for global coordination of transactions” on page 123
- “Configuring Sybase for global coordination of transactions” on page 124

## Configuring DB2 for global coordination of transactions

You must complete these steps for databases that you connect to with an ODBC or a JDBC connection.

You must have database administrator (DBA) privileges to perform the following tasks.

To configure DB2 database instances for global coordination of transactions:

1. **Windows** **Linux** Windows and Linux on x86 systems only: for each 32-bit instance that will be involved in the global coordination, run the following commands to set the Transaction Process Monitor name (TP\_MON\_NAME) to MQ:

```
db2 update dbm cfg using TP_MON_NAME MQ
db2stop
db2start
```

**UNIX** **Linux** On Linux and UNIX systems (except for Linux on x86), do not set this variable for 32-bit or 64-bit instances.

2. Ensure that you have adequate connection resources and find out from the broker administrator whether the broker will use TCP/IP or shared memory to connect to databases.

To use TCP/IP connections, see the example in the section about message SQL1224N in Resolving problems when using databases.

To enable shared memory:

- a. On the DB2 server, run the following commands to turn on extended shared memory:

```
export EXTSHM=ON
db2set DB2ENVLIST=EXTSHM
db2stop
db2start
```

- b. Ensure that shared memory support is turned on in the broker environment. For more information, see “Configuring global coordination with DB2 using a 32-bit queue manager” on page 281 or “Configuring global coordination with DB2 using a 64-bit queue manager” on page 283.
3. If you are connecting a broker on a distributed platform to a DB2 instance on z/OS, you must configure DB2® Connect™ to enable support for global coordination. Ensure that you have already configured a DB2 alias to represent the database using DB2 Connect.

Perform the following tasks on the system that hosts the broker:

- a. Turn on the Connection Concentrator by configuring the DB2 database manager's configuration parameters so that the value of the MAX\_CONNECTIONS parameter is greater than the value of the MAX\_COORDAGENTS parameter:

```
db2 update dbm cfg using MAX_CONNECTIONS MAX_CONNECTIONS_value
```

where *MAX\_CONNECTIONS\_value* is greater than the existing value of the MAX\_COORDAGENTS parameter.

- b. Define the SPM name as the name of the system that hosts the broker:

```
db2 update dbm cfg using SPM_NAME host_name
```

where *host\_name* is the TCP/IP name of the system that hosts the broker.

- c. Stop then restart DB2 on the system that hosts the broker to apply the changes:

```
db2stop  
db2start
```

DB2 Connect is now configured to enable global coordination of message flows that are deployed to the broker (on a distributed platform) and that access DB2 on z/OS.

The DB2 database instances are now configured for global coordination.

**Next:** see “Configuring global coordination of transactions (two-phase commit)” on page 277.

## Configuring Informix for global coordination of transactions

You must complete these steps for databases that you connect to with an ODBC connection only.

You must have database administrator (DBA) privileges to perform the following task.

To configure Informix databases for global coordination of transactions ensure that the databases are created with log; for example:

```
CREATE DATABASE mydb WITH LOG
```

The Informix databases are now configured for global coordination.

**Next:** see “Configuring global coordination of transactions (two-phase commit)” on page 277

## Configuring Oracle for global coordination of transactions

You must complete these steps for databases that you connect to with an ODBC connection only.

You must have database administrator (DBA) privileges to perform the following tasks.

To configure Oracle databases for global coordination of transactions:

1. If you are using WebSphere MQ Version 6 to globally coordinate transactions, ensure that the JAVA\_XA package is present on the Oracle database. Typically you can perform this task by running the `initjvm.sql` and `initxa.sql` scripts

which are supplied with the Oracle installation; your database administrator (DBA) can tell you if these scripts have been run. For more information, see the Oracle product documentation.

2. Ensure that the user ID that the broker uses to access the database has the necessary Oracle privileges to access the DBA\_PENDING\_TRANSACTIONS view. You can grant the required access using, for example, the following Oracle SQLPLUS command:

```
grant select on DBA_PENDING_TRANSACTIONS to <userid>;
```

The Oracle databases are now configured for global coordination.

**Next:** see “Configuring global coordination of transactions (two-phase commit)” on page 277.

## Configuring Sybase for global coordination of transactions

You must complete these steps for databases that you connect to with an ODBC connection only.

You must have database administrator (DBA) privileges to perform the following tasks.

To configure Sybase databases for global coordination of transactions ensure that the user ID that the broker uses to access the database has been granted the Sybase role of dtm\_tm\_role.

The Sybase databases are now configured for global coordination.

**Next:** see “Configuring global coordination of transactions (two-phase commit)” on page 277

## Enabling ODBC connections to the databases

Set up the resources and environment that the broker needs to connect to broker and user databases with ODBC.

The broker uses Open Database Connectivity (ODBC) to connect to the broker database. You must define ODBC data source names (DSNs) for the broker database on each computer that hosts a broker. You can configure both ODBC and Java Database Connectivity (JDBC) connections for access to user databases.

To set up ODBC connections to the broker database, and to user databases, follow the instructions in this section. For JDBC connections to user databases, see “Enabling JDBC connections to the databases” on page 140.

**z/OS** On z/OS systems, see Data sources on z/OS for information about enabling connections to databases. You do not have to follow the tasks described in this section.

**Linux** **UNIX** On Linux and UNIX systems, the actions that you must take to define the connections between the broker and the broker database depend on whether the broker core components operate in 32-bit or 64-bit mode. You must define either a 32-bit ODBC DSN, or a 64-bit ODBC DSN, as appropriate, for the broker to connect to the broker database.

All execution groups that you create on a broker must also be able to connect to the broker database. If the execution group matches the operational mode of the broker core, the execution group can connect to the broker database using the same DSN definition that the broker uses. If a 64-bit broker also supports 32-bit execution groups (for example, AIX), you must also define a 32-bit ODBC connection to support connections from 32-bit execution groups to the broker database. This 32-bit connection is required in addition to the 64-bit ODBC definition, even if you do not create 32-bit execution groups.

Because 64-bit connections need 64-bit database instances, you can use 32-bit database instances only on computers with a 32-bit broker core. Migrate all 32-bit database instances to 64-bit instances on all 64-bit platforms.

On distributed systems, when you define the DSNs, consider the following two factors that determine whether you must define a 32-bit DSN for the database, a 64-bit DSN, or both:

- Whether the execution group and the database instance operate in 32-bit or 64-bit mode
- Whether you plan to globally coordinate message flow transactions

**Linux** **UNIX** On Linux and UNIX systems, DSNs are defined in a plain text file on the computer that hosts the broker:

- Define 32-bit DSNs in the file that is referenced by your ODBCINI32 environment variable.
- Define 64-bit DSNs in the file that is referenced by your ODBCINI environment variable.

Set your ODBCINI environment variable to point to the ODBC .ini file that contains the DSN that is defined for the broker to connect to the broker database; the file must be a copy of `odbc64.ini` on all platforms except Linux on x86 where it must be a copy of `odbc32.ini`. If you need to define 32-bit DSNs in your copy of `odbc32.ini` on 64-bit platforms, you must also set your ODBCINI32 environment variable to point to your copy of `odbc32.ini`. Delete the ODBCINI64 variable if it exists; it is not required by Version 6.1 brokers.

For more information about the 32-bit and 64-bit considerations, see “Broker database connections” on page 110 and “User database connections” on page 112.

When you have defined the appropriate DSNs, you must also configure the environment so that the broker can access the correct database libraries; “Setting your environment to support 32-bit access to databases” on page 139 describes this task.

To enable connections on distributed systems:

1. Define the ODBC DSNs according to your platform:

**Windows** **On Windows:**

Windows provides only 32-bit support. Follow the instructions in “Connecting to a database on Windows systems” on page 127.

**Linux** **UNIX** **On Linux and UNIX systems:**

Depending on your broker configuration, for each database you might need to define a 32-bit ODBC DSN, a 64-bit ODBC DSN, or both.

Use the following tables to check which DSNs you must define, and follow the links for the appropriate instructions.

	32-bit execution group	64-bit execution group
<b>32-bit broker</b> Linux on x86	Broker database: 32-bit User database: 32-bit	Not possible
<b>64-bit broker</b> AIX, Solaris on SPARC, HP-UX on PA-RISC, Linux on x86-64	Broker database: 32-bit and 64-bit User database: 32-bit	Broker database: 64-bit User database: 64-bit
<b>64-bit broker</b> HP-UX on Itanium, Linux on POWER, Linux on System z, Solaris on x86-64	Not possible	Broker database: 64-bit User database: 64-bit

The following tables provide links to topics for connecting databases when you are using global coordination and a 64-bit queue manager. All WebSphere MQ Version 6 queue managers on 64-bit platforms run in 64-bit mode.

	32-bit execution group	64-bit execution group
<b>64-bit broker</b> AIX, Solaris on SPARC, HP-UX on PA-RISC, Linux on x86-64	Broker database: 32-bit and 64-bit User database: 32-bit and 64-bit	Broker database: 64-bit User database: 64-bit
<b>64-bit broker</b> HP-UX on Itanium, Linux on POWER, Linux on System z, Solaris on x86-64	Not possible	Broker database: 64-bit User database: 64-bit

The following table provides links to topics for connecting databases when you are using global coordination and a 32-bit queue manager. All WebSphere MQ Version 6 queue managers on 32-bit platforms run in 32-bit mode.

	32-bit execution group	64-bit execution group
<b>32-bit broker</b> (Linux on x86 only)	Broker database: 32-bit User database: 32-bit	Not possible
<b>64-bit broker</b> All other platforms	Not possible	Not possible

You have now configured the ODBC DSN for your broker database and the ODBC DSNs for any user database.

2. Configure the environment for issuing console commands and for running the broker so that it can access the required database libraries. For more information, see “Setting your environment to support 32-bit access to databases” on page 139.

You have now enabled the broker to make connections to the broker database and to any user database.

**Next:** If you have been following the instructions in “Configuring broker and user databases” on page 107, the next task is “Using retained publications with a Sybase database” on page 147.

## Connecting to a database on Windows systems

Configure the required ODBC data source resources to connect to supported databases on Windows systems.

Configure an ODBC data source using the ODBC Data Source Administrator:

1. Click **Start** → **Settings** → **Control Panel** → **Administrative Tools** → **Data Sources (ODBC)**.
2. Click the **System DSN** tab.

When you define a new data source, select the appropriate driver for your database and complete the dialog that is displayed. See your relevant database product documentation for more information.

Setup considerations specific to WebSphere Message Broker are described later in this section for the supported databases.

The Default Configuration wizard and the database commands to create a broker, or a database, on Windows automatically create the ODBC data source names (DSNs) for you.

### DB2 UDB

When you define a data source for DB2 UDB you must choose the driver:

- IBM DB2 ODBC DRIVER

1. Enter the data source name (DSN) and description.
2. Select the correct database alias from the list.

You must register the data source as a system data source.

You might find it easier to use the Configuration Assistant:

1. Open the DB2 Configuration Assistant.
2. Right-click the database. Select **Change Database**.
3. Select **Data Source**.
4. Select **Register this database for ODBC**. Select the system data source option.
5. Click **Finish**.
6. The Test Connection dialog opens automatically and you can test the various connections.

### Informix Dynamic Server

When you define a data source for Informix Dynamic Server, choose the driver:

- IBM INFORMIX ODBC DRIVER

Complete these steps to configure the driver:

1. On the **Connection** tab, specify:
  - The Informix server name.
  - The machine host name.
  - The Informix network service name (as defined in the services file).
  - The network protocol (for example, olsotcp).
  - The Informix data source name.
  - The user identifier to access the data source within.
  - The password for that user identifier.
2. Click **Apply**.
3. Click **Test Connection** to check your supplied values.

4. Click **OK** to finish.

### Microsoft SQL Server

When you define a data source for Microsoft SQL Server you must choose a driver according to the version of SQL Server that you are using:

- SQL Server if you are using SQL Server 2000
- SQL Native Client if you are using SQL Server 2005

If you are using SQL Server 2000, the driver level must be Version 3.60, or later. In either case, you must:

1. Specify a name and description.
2. Select the correct server from the list.

### Oracle

When you define a data source for Oracle, choose the driver:

- MQSeries DataDirect Technologies 5.30 32-BIT Oracle

The ODBC Oracle Driver Setup dialog opens.

Complete these steps to configure the driver:

1. On the **General** tab:
  - a. Enter the DSN name, description, and server name (where the server name is the "Service Name" that resolves to a "Connect Descriptor", for example through a mapping in the TSNames.ORA file).
  - b. Select the appropriate Oracle client version from the list.
2. On the **Advanced** tab:
  - a. Select **Enable SQLDescribeParam**.
  - b. Select **Procedure Returns Results**. The resultant ODBC definition in the Windows registry has a string value called **ProcedureRetResults** with the value 1.
3. Click **OK** to close the ODBC Data Source Administrator.
4. Specify **WorkArounds**:
  - a. Use REGEDIT to navigate to the correct location.
    - On Windows 32-bit editions: HKEY\_LOCAL\_MACHINE\SOFTWARE\ODBC\ODBC.INI
    - On Windows 64-bit editions: HKEY\_LOCAL\_MACHINE\SOFTWARE\Wow6432Node\ODBC\ODBC.INI
  - b. Right-click your **DSN**. Select **New** → **String Value**.
    - 1) Specify **WorkArounds** for the string name.
    - 2) Right-click **WorkArounds**.
      - a) Select **Modify**.
      - b) Type the data value 536870912.

### Sybase Adaptive Server Enterprise

When you define a data source for Sybase Adaptive Server Enterprise, choose the driver:

- MQSeries DataDirect Technologies 5.30 32-BIT Sybase Wire Protocol

Complete these steps to configure the driver:

1. Enter the DSN name, description, and network address of the server.
2. Select **Enable Describe Parameter**. This parameter is on the **Advanced** tab.



3. Ensure the **Prepare Method** setting is 1 - Partial. This parameter is on the **Performance** tab.
4. Use REGEDIT to navigate to the correct location.
  - On Windows 32-bit editions: HKEY\_LOCAL\_MACHINE\SOFTWARE\ODBC\ODBC.INI
  - On Windows 64-bit editions: HKEY\_LOCAL\_MACHINE\SOFTWARE\Wow6432Node\ODBC\ODBC.INI
5. Right-click your DSN, and select **New** → **String Value**. Specify **SelectUserName** for the string, and set the value to 1.
6. Right-click your DSN, and select **New** → **String Value**. Specify **EnableSPColumnTypes** for the string, and set the value to 2.

You have now configured your ODBC data source names on Windows.

**Next:**

You must configure the environment for issuing console commands, and for running the broker, so that the broker can access the required database libraries. For more information, see “Setting your environment to support 32-bit access to databases” on page 139.

**Connecting to a database from Linux and UNIX systems: 32-bit considerations**

To enable a broker to connect to a database, define the ODBC data source name (DSN) for the database.

**Before you start:**

- Ensure that the database has been created, see “Creating the broker and user databases” on page 113.
- Ensure that the broker is authorized to access the database, see “Authorizing access to the databases” on page 120.

On Linux and UNIX systems, an ODBC Driver Manager exists, but no graphical application is available to help you configure the ODBC DSNs. To enable a 32-bit ODBC connection, define each database as a DSN in a plain text file (called `odbc32.ini`) on the computer that hosts the broker.

Define 32-bit DSNs in the following situations:

- On a Linux or UNIX system, if a message flow is deployed to a 32-bit execution group, define a 32-bit DSN for the broker and any user databases.
- You are using Linux on x86; the broker runs as a 32-bit application on this 32-bit platform.

To configure a 32-bit DSN for a database:

1. Copy the `odbc32.ini` sample file that is supplied in the `install_dir/ODBC32/V5.3` directory to a location of your choice; for example, copy the file to your user ID’s home directory. Each broker service user ID on the system can therefore use its own DSN definitions.  
See the sample file contents in “`odbc32.ini` sample file” on page 339.
2. Ensure that the `odbc32.ini` file has file ownership of `mqm:mqbrkrs`, and has the same permissions as the supplied `odbc32.ini` sample file.
3. Set the `ODBCINI32` environment variable to point to your `odbc32.ini` file, specifying a full path and file name.

For Linux on x86 only, use the ODBCINI environment variable.

4. On AIX, HP-UX, Solaris on SPARC, and Linux on x86-64, set the 32-bit library search path environment variable MQSI\_LIBPATH32 to show the location of the 32-bit libraries for the database manager that you are using. For example, on AIX:

```
export
MQSI_LIBPATH32=$MQSI_LIBPATH32:DB2_instance_directory/sql1lib/lib32
```

On Linux on x86 only, set the 32-bit library search path LD\_LIBRARY\_PATH to show the location of the 32-bit libraries for the database manager.

5. If you are using a DB2 database instance that is installed on AIX, a single process can make a maximum of 10 connections using shared memory to a DB2 database. Therefore, if you deploy more than one or two message flows at the same time, you might see connection failures characterized by the DB2 error message SQL1224N. The connection errors are reported in the system log from the broker's execution group.

To resolve this issue, use a TCP/IP connection to the database instance; see DB2 error message SQL1224N is issued when you connect to DB2 for details.

6. Edit the final stanza in the odbc32.ini file (the [ODBC] stanza) to specify the location of the ODBC Driver Manager, and to control tracing. The exact details in the stanza depend on the operating system.

To ensure that you edit the correct odbc32.ini file, open the file in the vi text editor by using the following command:

```
vi $ODBCINI32
```

or vi \$ODBCINI on Linux on x86.

- a. In **InstallDir**, add the WebSphere Message Broker installation location to complete the fully qualified path to the ODBC directory. If you do not set this value correctly, the ODBC definition will not work.
- b. In **Trace**, set the value to 0; if your IBM Service representative asks you to enable ODBC trace, set the value to 1.
- c. In **TraceFile**, type the fully-qualified path and file name to which the ODBC trace is written. Trace files can become large; specify a directory with plenty of free disk space.
- d. In **TraceDll**, add the WebSphere Message Broker installation location to complete the fully qualified path to the ODBC trace DLL.
- e. Accept the default values that are shown in the sample odbc32.ini file for all the other entries in the stanza. For example:

- On AIX:

```
#####
##### Mandatory information stanza #####
#####
```

```
[ODBC]
;# To turn on ODBC trace set Trace=1
Trace=0
TraceFile=<A Directory with plenty of free space to hold trace ouput>/odbctrace32.out
TraceDll=<Your Broker install directory>/ODBC32/V5.3/lib/odbctrac.so
InstallDir=<Your Broker install directory>/ODBC32/V5.3
UseCursorLib=0
IANAAppCodePage=4
UNICODE=UTF-8
```

7. Edit the first stanza in the odbc32.ini file (the [ODBC Data Sources] stanza) to list the DSN of each database. For example:

- On AIX:

```
|
| ;#####
| ;##### List of data sources stanza #####
| ;#####
| [ODBC Data Sources]
| DB2V8DB=IBM DB2 Version 8 ODBC Driver
| DB2V9DB=IBM DB2 Version 9 ODBC Driver
| ORACLEDB=DataDirect 5.3 Oracle Driver
| ORACLERACDB=DataDirect 5.3 Oracle Driver (Real Application Clusters)
| SYBASEDB=DataDirect 5.3 Sybase Wire Protocol
| SYBASEDBUTF8=DataDirect 5.3 Sybase UTF8 Wire Protocol
| SQLSERVERDB=DataDirect 5.3 SQL Server Wire Protocol
| INFORMIXDB=IBM Informix ODBC Driver
```

List all your DSNs in your `odbc32.ini` file, regardless of the database manager. You can define multiple DSNs to resolve to the same database; however, if you are using global coordination of transactions, do not use this option because it might cause data integrity problems.

8. For each database that you listed in the [ODBC Data Sources] stanza, create a stanza in the `odbc32.ini` file after the [ODBC Data Sources] stanza. The entries in the stanza depend on the database manager. The information for different operating systems can differ; for example, the file paths to the drivers.

**For a DB2 Version 8 database instance**

- a. In **Driver**, add the full path of your DB2 installation.
- b. In **Description**, type a meaningful description of the database. This field is for information only, and does not affect the connection.
- c. In **Database**, type the DB2 alias. The data source name must be the same as the database alias name. If you are using a remote DB2 database, set up your client-server connection to resolve this alias to the correct database. For more information, see the DB2 documentation.

For example, on AIX:

```
|
| ;# DB2 version 8 stanza
| [DB2V8DB]
| Driver=<Your DB2 v8 install directory>/lib/libdb2.a
| Description=DB2V8DB DB2 ODBC Database
| Database=DB2V8DB
```

**For a DB2 Version 9 database instance**

- a. In **Driver**, add the full path of your DB2 installation.
- b. In **Description**, type a meaningful description of the database. This field is for information only, and does not affect the connection.
- c. In **Database**, type the DB2 alias. The data source name must be the same as the database alias name. If you are using a remote DB2 database, set up your client-server connection to resolve this alias to the correct database. For more information, see the DB2 documentation.

For example, on AIX:

```
|
| ;# DB2 version 9 stanza
| [DB2V9DB]
| Driver=<Your DB2 v9 install directory>/lib32/libdb2.a
| Description=DB2V9DB DB2 ODBC Database
| Database=DB2V9DB
```

**For an Oracle database:**

- a. In **Driver**, add the WebSphere Message Broker installation location to complete the fully qualified path to the driver that is shown in the sample `odbc32.ini` file.
- b. In **Description**, type a meaningful description of the database. This field is for information only, and does not affect the connection.
- c. In **ServerName**, type the Oracle Service Name or Connect Descriptor that resolves to the target Oracle database; for example, through a mapping in the `TSNAMES.ORA` file.
- d. Accept the default values that are shown in the sample `odbc32.ini` file for all the other entries in the stanza. For example:

- On AIX:

```

;# Oracle stanza
[ORACLEDB]
Driver=<Your Broker install directory>/ODBC32/V5.3/lib/UKor823.so
Description=DataDirect 5.3 Oracle Driver
EnableDescribeParam=1
OptimizePrepare=1
ServerName=<Your Oracle Net Service name>
WorkArounds=536870912
ProcedureRetResults=1
ColumnSizeAsCharacter=1

```

#### For an Oracle database that uses Real Application Clusters:

- a. In **Driver**, add the WebSphere Message Broker installation location to complete the fully qualified path to the driver that is shown in the sample `odbc32.ini` file.
- b. In **Description**, type a meaningful description of the database. This field is for information only, and does not affect the connection.
- c. In **ServerName**, type the Oracle Real Application Cluster Service Name or Connect Descriptor that resolves to the target Oracle database; for example, through a mapping in the `TSNAMES.ORA` file.
- d. Accept the default values that are shown in the sample `odbc32.ini` file for all the other entries in the stanza.

For example on AIX:

```

;# Oracle Real Application Clusters stanza
[ORACLERACDB]
Driver=<Your Broker install directory>/ODBC32/V5.3/lib/UKor823.so
Description=DataDirect 5.3 Oracle Driver
EnableDescribeParam=1
OptimizePrepare=1
ServerName=<Your Oracle Net Service Name defined for the RAC>
WorkArounds=536870912
ProcedureRetResults=1
ColumnSizeAsCharacter=1

```

#### For a Sybase database:

- a. In **Driver**, add the WebSphere Message Broker installation location to complete the fully qualified path to the driver that is shown in the sample `odbc32.ini` file.
- b. In **Description**, type a meaningful description of the database. This field is for information only, and does not affect the connection.
- c. In **Database**, type the name of the database to which to connect by default. If you do not specify a value, the default is the database that is defined by your system administrator for each user.

- d. In **NetworkAddress**, type the network address of your Sybase ASE server (which is required for local and remote databases). Specify an IP address or server name in the following format:  
 <Your Sybase Server Name>,<Your Sybase Port Number>

For example, Sybaseserver,5000. You can also specify the IP address directly; for example, 199.226.224.34,5000. You can find the port number in the Sybase interfaces file, which is named interfaces on Linux and UNIX systems.

- e. Accept the default values that are shown in the sample odbc32.ini file for all the other entries in the stanza. For example:

- On AIX:

```

;# Sybase Stanza
[SYBASEDB]
Driver=<Your Broker install directory>/ODBC32/V5.3/lib/UKase23.so
Description=DataDirect 5.3 Sybase Wire Protocol
Database=<Your Database Name>
ServerName=<Your Sybase Server Name>
EnableDescribeParam=1
OptimizePrepare=1
SelectMethod=0
NetworkAddress=<Your Sybase Server Name>,<Your Sybase Port Number>
SelectUserName=1
ColumnSizeAsCharacter=1
EnableSPColumnTypes=2
  
```

If you want to use a UNICODE UTF8 Sybase data source, add the following line to the end of your Sybase stanza:

```
Charset=UTF8
```

#### For an SQL Server database:

- In **Driver**, add the WebSphere Message Broker installation location to complete the fully qualified path to the driver that is shown in the sample odbc32.ini file.
- In **Description**, type a meaningful description of the database. This field is for information only, and does not affect the connection.
- In **Address**, type the network address of your database server (which is required for local and remote databases). Specify an IP address or server name in the following format:  
 <Your SQLServer Machine Name or IP address>,<Your SQLServer Port Number>
- In **Database**, type the name of the database to which to connect by default. If you do not specify a value, the default is the database that is defined by your system administrator for each user.
- Accept the default values that are shown in the sample odbc32.ini file for all the other entries in the stanza.

For example, on AIX:

```

;# UNIX to SQL Stanza
[SQLSERVERDB]
Driver=<Your Broker install directory>/ODBC32/V5.3/lib/UKmsss23.so
Description=DataDirect 5.3 SQL Server Wire Protocol
Address=<Your SQLServer Server Name>,<Your SQLServer Port Number>
Database=<Your Database Name>
AnsiNPW=Yes
QuoteId=No
ColumnSizeAsCharacter=1
  
```

#### For an Informix database:

- a. In **Driver**, add the full path of your Informix installation to complete the fully qualified path to the driver shown in the sample `odbc32.ini` file.
- b. In **Description**, type a meaningful description of the database. This field is for information only and does not affect the connection.
- c. In **ServerName**, type the name of the Informix IDS server.
- d. In **Database**, type the name of the database on the IDS server.

For example, on AIX:

```

;# Informix stanza
[INFORMIXDB]
Driver=<Your Informix Client Directory>/lib/cli/iclit09b.so
Description=IBM Informix ODBC Driver
ServerName=<YourServerName>
Database=<Your Database Name>

```

9. Ensure that you have edited all three parts of the `odbc32.ini` file:
  - The [ODBC Data Source] stanza at the top of the `odbc32.ini` file.
  - A stanza for each data source.
  - The [ODBC] stanza at the end of the `odbc32.ini` file.

If you do not configure all three parts correctly, the ODBC DSNs are not valid, and the broker cannot connect to the database.

You have now configured 32-bit ODBC database connections.

Now configure the environment for issuing console commands, and for running the broker, so that it can access the required database libraries. For more information, see “Setting your environment to support 32-bit access to databases” on page 139.

## Connecting to a database from Linux and UNIX systems: 64-bit considerations

Define the ODBC data source name (DSN) for the broker to connect to a database.

### Before you start:

- Ensure that the database has been created, see “Creating the broker and user databases” on page 113.
- Ensure that the broker is authorized to access the database, see “Authorizing access to the databases” on page 120.

### Important:

- Before you can create a broker, you must define the **64-bit** ODBC data source name (DSN) that the broker will use to connect to the broker database, because the broker is a 64-bit application.
- You must define a **64-bit** ODBC DSN for the broker database even if you intend to use 32-bit execution groups, because parts of the broker need 64-bit access to the data source. For more information, see “Connecting to a database from Linux and UNIX systems: 32-bit considerations” on page 129.
- If the message flows that are deployed to the broker access one or more user databases, you must also define a **64-bit** DSN for each user database. On Linux and UNIX systems, if you are using 32-bit execution groups, you might also need to define a 32-bit DSN for your broker and user databases. For more information, see “Enabling ODBC connections to the databases” on page 124.

**Linux** **UNIX** On Linux and UNIX systems, the ODBC Driver Manager has no graphical application to help you to configure the ODBC DSNs. To enable a 64-bit ODBC connection, you must define each broker database as a DSN in a plain text file called `odbc64.ini` on the computer that hosts the broker. For more information, see “Enabling ODBC connections to the databases” on page 124.

To configure a 64-bit DSN for a database:

1. Copy the `odbc64.ini` sample file that is supplied in the `install_dir/ODBC64/V5.3` directory to a location of your choice; for example, copy the file to your user ID’s home directory. Each broker service user ID on the system can therefore use its own DSN definitions.

See the sample file contents in “`odbc64.ini` sample file” on page 347.

2. Ensure that the `odbc64.ini` file has file ownership of `mqm:mqbrkrs` and has the same permissions as the supplied sample file.
3. Set the `ODBCINI` environment variable to point to your `odbc64.ini` file, specifying a full path and file name.
4. Set the library search path environment variable to show the location of the 64-bit libraries for the database manager that you are using. Ask your database administrator (DBA) for information about the database manager that you are using.

For more information about the library search path, see the database manager’s documentation.

The library search path environment variable depends on your platform:

- **Linux** **Solaris** On Linux and Solaris: `LD_LIBRARY_PATH`
  - **HP-UX** On HP-UX: `SHLIB_PATH`
  - **AIX** On AIX: `LIBPATH`
5. If you are using a DB2 database instance that is installed on AIX, a single process can make a maximum of 10 connections using shared memory to a DB2 database. Use TCP/IP mode to connect to the database instance; see DB2 error message `SQL1224N` is issued when you connect to DB2.
  6. Edit the final stanza in the `odbc64.ini` file, the `[ODBC]` stanza, to specify the location of the ODBC Driver Manager and to control tracing. The exact details in the stanza depend on the platform.

To ensure that you edit the correct `odbc64.ini` file, you can open the file in the `vi` text editor using the following command:

```
vi $ODBCINI
```

- a. In **InstallDir**, add the WebSphere Message Broker installation location to complete the fully qualified path to the ODBC directory. If you do not specify this value correctly, the ODBC definition will not work.
- b. In **Trace**, set the value to 0; if your IBM Service representative asks you to enable ODBC trace, set the value to 1.
- c. In **TraceFile**, type the fully-qualified path and file name to which the ODBC trace is written. Trace files can become quite large; specify a directory with plenty of free disk space.
- d. In **TraceDll**, add the WebSphere Message Broker installation location to complete the fully qualified path to the ODBC trace DLL.
- e. Accept the default values shown in the sample `odbc64.ini` file for all the other entries in the stanza.

For example on AIX:

```

#####
##### Mandatory information stanza #####
#####

[ODBC]
;# To turn on ODBC trace set Trace=1
Trace=0
TraceFile=<A Directory with plenty of free space to hold trace output>/odbc64.out
TraceDll=<Your Broker install directory>/ODBC64/V5.3/lib/odbc64.so
InstallDir=<Your Broker install directory>/ODBC64/V5.3
UseCursorLib=0
IANAAppCodePage=4
UNICODE=UTF-8

```

7. Edit the first stanza in the odbc64.ini file, the [ODBC Data Sources] stanza, to list the DSN of each database.

For example on AIX:

```

#####
##### List of data sources stanza #####
#####

[ODBC Data Sources]
DB2DB=IBM DB2 ODBC Driver
ORACLEDB=DataDirect 5.3 64bit Oracle Wire Protocol
ORACLERACDB=DataDirect 5.3 64bit Oracle Wire Protocol (Real Application Clusters)
SYBASEDB=DataDirect 5.3 64bit Sybase Wire Protocol
SYBASEDBUTF8=DataDirect 5.3 64bit Sybase UTF8 Wire Protocol
SQLSERVERDB=DataDirect 5.3 64bit SQL Server Wire Protocol
INFORMIXDB=IBM Informix ODBC Driver

```

List all your DSNs in your odbc64.ini file, regardless of the database manager. You can define multiple DSNs to resolve to the same database; however, if you are using global coordination of transactions, do not use this option because it might cause data integrity problems.

8. For each database that you listed in the [ODBC Data Sources] stanza, create a stanza in the odbc64.ini file after the [ODBC Data Sources] stanza. The entries in the stanza depend on the database manager. Slight differences also occur between operating systems, for example the file paths to the drivers.

**For a DB2 database instance:**

- a. In **Driver**, accept the value as shown in the sample odbc64.ini file.
- b. In **Description**, type a meaningful description of the database. This field is for information only and does not affect the connection.
- c. In **Database**, type the DB2 alias. The data source name must be the same as the database alias name. If you are using a remote DB2 database, you must set up your client-server connection to resolve this alias to the correct database. For more information, see the DB2 documentation.

For example, on AIX:

```

;# DB2 stanza
[DB2DB]
DRIVER=libdb2Wrapper64.so
Description=DB2DB DB2 ODBC Database
Database=DB2DB

```

**For an Oracle database:**

- a. In **Driver**, add the WebSphere Message Broker installation location to complete the fully qualified path to the driver shown in the sample odbc64.ini file.
- b. In **Description**, type a meaningful description of the database. This field is for information only and does not affect the connection.



- c. In **HostName**, type the name or IP address of the machine that is hosting your Oracle system.
- d. In **PortNumber**, type the number of the port on which your Oracle server is listening on the machine you specified in **HostName**.
- e. In **SID**, type the Oracle service name that you want to connect to on the system you specified in **HostName**.
- f. Accept the default values shown in the sample `odbc64.ini` file for all the other entries in the stanza.

For example on AIX:

```

|# Oracle stanza
[ORACLEDB]
Driver=<Your Broker install directory>/ODBC64/V5.3/lib/UKora23.so
Description=DataDirect 5.3 64bit Oracle Wire Protocol
HostName=<Your Oracle Server Machine Name>
PortNumber=<Port on which Oracle is listening on HostName>
SID=<Your Oracle SID>
CatalogOptions=0
EnableStaticCursorsForLongData=0
ApplicationUsingThreads=1
EnableDescribeParam=1
OptimizePrepare=1
WorkArounds=536870912
ProcedureRetResults=1
ColumnSizeAsCharacter=1

```

#### For an Oracle database that uses Real Application Clusters:

- a. In **Driver**, add the WebSphere Message Broker installation location to complete the fully qualified path to the driver shown in the sample `odbc64.ini` file.
- b. In **Description**, type a meaningful description of the database. This field is for information only and does not affect the connection.
- c. In **HostName**, type the name or IP address of the machine that is hosting your Oracle system.
- d. In **PortNumber**, type the number of the port on which your Oracle server is listening on the machine you specified in **HostName**.
- e. In **ServiceName**, type the Oracle Real Application Cluster service name that you want to connect to on the system you specified in **HostName**.
- f. Accept the default values shown in the sample `odbc64.ini` file for all the other entries in the stanza.

For example on AIX:

```

|# Oracle Real Application Clusters stanza
[ORACLERACDB]
Driver=<Your Broker install directory>/ODBC64/V5.3/lib/UKora23.so
Description=DataDirect 5.3 64bit Oracle Wire Protocol
HostName=<Your Oracle Server Machine Name>
PortNumber=<Port on which Oracle is listening on HostName>
ServiceName=<Your Oracle Real Application Cluster Service Name>
CatalogOptions=0
EnableStaticCursorsForLongData=0
ApplicationUsingThreads=1
EnableDescribeParam=1
OptimizePrepare=1
WorkArounds=536870912
ProcedureRetResults=1
ColumnSizeAsCharacter=1

```

#### For a Sybase database:

- a. In **Driver**, add the WebSphere Message Broker installation location to complete the fully qualified path to the driver shown in the sample `odbc64.ini` file.
- b. In **Description**, type a meaningful description of the database. This field is for information only and does not affect the connection.
- c. In **Database**, type the name of the database to which you want to connect by default. If you do not specify a value, the default value is the database defined by your system administrator for each user.
- d. In **NetworkAddress**, type the network address of your Sybase ASE server (this address is required for local and remote databases). Specify an IP address or server name as follows:  
 <Your Sybase server name or IP address>,<Your Sybase port number>  
 For example: `Sybaseserver,5000`. You can also specify the IP address directly, for example `199.226.224.34,5000`. You can find the port number in the Sybase interfaces file that is named `interfaces`.
- e. Accept the default values shown in the sample `odbc64.ini` file for all the other entries in the stanza.

For example on AIX:

```

;# Sybase Stanza
[SYBASEDB]
Driver=<Your Broker install directory>/ODBC64/V5.3/lib/UKase23.so
Description=DataDirect 5.3 64bit Sybase Wire Protocol
Database=<Your Database Name>
ApplicationUsingThreads=1
EnableDescribeParam=1
OptimizePrepare=1
SelectMethod=0
NetworkAddress=<Your Sybase Server Name>,<Your Sybase Port Number>
SelectUserName=1
ColumnSizeAsCharacter=1
EnableSPColumnTypes=2

```

If you want to use a UNICODE UTF8 Sybase data source, add the following line to the end of your Sybase stanza:

```
Charset=UTF8
```

#### For an SQL Server database

- a. In **Driver**, add the WebSphere Message Broker installation location to complete the fully qualified path to the driver shown in the sample `odbc64.ini`.
- b. In **Description**, type a meaningful description of the database. This field is for information only and does not affect the connection.
- c. In **Address**, type the network address of your database server (this address is required for local and remote databases). Specify an IP address or server name as follows:  
 <Your SQLServer machine name or IP address>,<Your SQLServer port number>
- d. In **Database**, type the name of the database to which you want to connect by default. If you do not specify a value, the default value is the database defined by your system administrator for each user.
- e. Accept the default values shown in the sample `odbc64.ini` file for all the other entries in the stanza.

For example, on AIX:

```

|# UNIX to SQLServer stanza
[SQLSERVERDB]
Driver=<Your Broker install directory>/ODBC64/V5.3/lib/UKmsss23.so
Description=DataDirect 5.3 64bit SQL Server Wire Protocol
Address=<Your SQLServer Server Name>,<Your SQLServer Port Number>
AnsiNPW=Yes
Database=db
QuotedId=No
ColumnSizeAsCharacter=1

```

### For an Informix database

- a. In **Driver**, accept the value as shown in the sample odbc64.ini file.
- b. In **Description**, type a meaningful description of the database. This field is for information only and does not affect the connection.
- c. In **ServerName**, type the name of the Informix IDS server.
- d. In **Database**, type the name of the database to which you want to connect by default. If you do not specify a value, the default value is the database that is defined by your system administrator for each user.

For example, on AIX:

```

|# Informix Stanza
[INFORMIXDB]
Driver=libinfWrapper64.so
Description=IBM Informix ODBC Driver
ServerName=<Your Informix Server Name>
Database=<Your Database Name>

```

9. Ensure that you have edited all three parts of the odbc64.ini file:
  - The [ODBC Data Source] stanza at the top of the odbc64.ini file.
  - A stanza for each data source.
  - The [ODBC] stanza at the end of the odbc64.ini file.

If you do not configure all three parts correctly, the ODBC DSNs do not work and the broker is unable to connect to the database.

10. If you are running DB2 Version 9.1 on HP-UX on PA-RISC, export environment variable MQSI\_SIGNAL\_EXCLUSIONS in the broker environment:

```
export MQSI_SIGNAL_EXCLUSIONS=10
```

You have now configured database connections from 64-bit applications on Linux and UNIX.

Now, you must configure the environment for issuing console commands, and for running the broker, so that it can access the required database libraries. For more information, see “Setting your environment to support 32-bit access to databases.”

## Setting your environment to support 32-bit access to databases

When you have configured your ODBC data source names, you must also configure the environment for issuing console commands, and for running the broker, so that it can access the required database libraries. For example, if you have a DB2 broker database, you must add the DB2 client libraries to your library search path.

**Windows** On Windows platforms, the environment is typically set up for you when you install the database product, and no further action is required.

**Linux** **UNIX** On Linux and UNIX systems:

- You must run a profile for each database you want to access. For example, on DB2 you must run `db2profile`; other database vendors have similar profiles.
- If you intend to use only 64-bit execution groups, the correct environment is set up by the database profiles, and no further action is required.
- If you intend to use 32-bit execution groups on AIX, HP-UX on PA-RISC, Solaris on SPARC, or Linux on x86-64, you must ensure that the broker has an environment that presents 32-bit database libraries; the default database profile might present 64-bit libraries.

To set the broker's environment to present 32-bit database libraries:

- If you are using a 64-bit DB2 instance, you must add `<DB2 instance directory>/sql/lib/lib` for DB2 Version 8 or `<DB2 instance directory>/sql/lib/lib32` for DB2 Version 9 to the end of the `MQSI_LIBPATH32` library search path environment variable after running `db2profile`.
- If the broker accesses an Informix user database, add `$INFORMIX/lib:$INFORMIX/lib/esql:/$INFORMIX/lib/cli` to the `MQSI_LIBPATH32` library search path environment variable, where `INFORMIX` is your 32-bit Informix Client SDK install location. Set the environment variable `INFORMIXDIR32` to point to the location of your 32-bit Informix Client SDK installation tree.
- If you are using a 64-bit Oracle instance, you must add `$ORACLE_HOME/lib32` to the end of the `MQSI_LIBPATH32` library search path environment variable.

When you have set your environment to access databases, return to the instructions in “Configuring broker and user databases” on page 107.

## Enabling JDBC connections to the databases

Configure connections to a user database through a `JDBCProvider` service.

Use a JDBC connection from Java programs that are associated with a `JavaCompute` node or a user-defined node that is written in Java.

You must also set up JDBC connections if you include `DatabaseRetrieve` or `DatabaseRoute` nodes in your message flows.

If you configure a JDBC type 4 connection from an application running on a Linux, UNIX, or Windows system, you can configure your broker and queue manager to include interactions with the databases in globally-coordinated transactions. On z/OS, JDBC connections can be broker-coordinated only.

The information provided in this section is independent of whether your operating systems, brokers, execution groups, queue managers, and databases operate in 32-bit or 64-bit mode, except where stated.

When you write Java classes for a `JavaCompute` node or a user-defined node, your code must comply with the following restrictions:

- Do not include any code that performs a `COMMIT` or a `ROLLBACK` function.
- Do not close the connection to the database. The broker manages all connections, and closes a connection if it is idle for approximately one minute, or if the message flow completes.

To configure JDBC type 4 connections:

1. Set up your JDBC provider definition.
2. Optional: Set up security.

3. Optional: Configure for global-coordination of transactions.
4. Optional: If your broker is running on a Windows system, authorize access to JDBCProvider resources.

**Next:** If you have been following the instructions in “Configuring broker and user databases” on page 107, the next task is “Setting up a JDBC provider for type 4 connections.”

When you have completed configuration of the databases, add or modify Java code in your JavaCompute or user-defined nodes to access the database that is identified in the JDBCProvider service.

### Setting up a JDBC provider for type 4 connections

Use the `mqsicreateconfigurableservice` or the `mqsichangeproperties` command to configure a JDBC provider service.

#### Before you start:

- Create a broker
- Create your database following the database documentation.

When you include a DatabaseRetrieve, DatabaseRoute, JavaCompute, or Java user-defined node in a message flow, and interact with a database in that node, the broker must establish a connection with the database to fulfill the operations that are performed by the node. You must define a JDBCProvider configurable service to provide the broker with the information that it needs to complete the connection.

A JDBCProvider configurable service supports connections to one database only; you must create a service for each database that your Java applications connect to.

1. Identify the type of database for which you require a JDBC provider. The following databases are supported with JDBC connections:
  - DB2
  - Informix
  - Oracle
  - SQL Server
  - Sybase

Supported JDBC drivers are shown in Supported databases. JDBC type 4 connections to a SQLServer databases cannot participate in globally-coordinated (XA) transactions.

2. Run the `mqsireportproperties` command to view the list of available JDBC providers. Substitute the name of your broker in place of *broker\_name*.

```
mqsireportproperties broker_name -c JDBCProviders -a -o AllReportableEntityNames
```

This command displays a list of all the JDBC provider configurable services that are defined. If you have not created any new definitions, the following list of default supplied providers is shown:

- DB2
- Informix
- Informix\_With\_Date\_Format
- Microsoft\_SQL\_Server
- Oracle
- Sybase\_JConnect6\_05

If you are connecting to an Informix database:

- Use `Informix_With_Date_Format` for compatibility with client applications that are dependent on the date format connection attribute that was used by earlier versions of Informix servers.
  - Use `Informix` for client applications that are not dependent on the date format attribute.
3. View the contents of the relevant definition. For example, run the following command to display the supplied Oracle definition:

```
mqsireportproperties broker_name -c JDBCProviders -o Oracle -r
```

The command returns a list of all the properties for the Oracle definition. If you have not changed this definition, the properties are set to initial values, some of which you must change to create a viable definition. For example, the property **databaseName** is set to `default_Database_Name`, and you must change it to identify the specific database that you want to connect to.

A `JDBCProvider` has the following properties:

- **connectionUrlFormat**. A pattern that represents the connection URL definition, which is specific to a particular database type. For example, the pattern for DB2 is defined with the following content:

```
jdbc:db2://[serverName]:[portNumber]/[databaseName]:user=[user];password=[password];
```

The pattern is used and completed by the broker at run time when it connects to the database. The values in brackets, for example `[serverName]`, are substituted by the broker into the pattern by using the values that you have specified on the `mqsicreateconfigurableservice` or `mqsichangeproperties` commands.

Do not use the `mqsichangeproperties` command to change the pattern itself; changes made to the pattern might cause unpredictable results.

- **connectionUrlFormat Attr1-5**. If the defined URL pattern for a database contains non-standard JDBC data source properties, such as a server identifier, specify these properties in addition to the standard attributes by using one of five general purpose connection URL attributes.

For example, if **connectionURLFormat** = `jdbc:oracle:thin:[user]/[password]@[serverName]:[portNumber]:[connectionUrlFormatAttr1]`, **connectionUrlFormatAttr1** must contain an Oracle server identifier, which you must supply by defining the value for the property **connectionUrlFormatAttr1** on the `mqsicreateconfigurableservice` or `mqsichangeproperties` command. The broker can then substitute all the required values into the required pattern.

- **databaseName**. The name of the database to which the data source entry enables connections; for example, `employees`.
- **databaseType**. The database type; for example, `DB2`.
- **databaseVersion**. The database version; for example, `8.1`.
- **description**. An optional property to describe the data source definition.
- **jarsURL**. The local directory path, on the system on which the broker is running, where the JAR file that contains the type 4 driver class is located.
- **portNumber**. The port number on which the database server is listening; for example, `50000`.
- **securityIdentity**. A unique security key to perform a second broker registry lookup to find an entry under the broker's security identities, which store the encrypted password for the user on their associated host system; for example, `mysecurityIdentity`.

Create a new security identity by using the `mqsisetdbparms` command, as described in "Securing a JDBC type 4 connection" on page 144. The value

mysecurityIdentity must match the value that you specify following the prefix jdbc:: for the parameter **-n** on that command.

The security identity provides a user ID and password value pair, which are used to access the specified data source defined for a given JDBC provider entry. This property is ignored if the connection URL does not contain both a user ID and password pair, which require property values to be substituted for such inserts. The DataSourceUserId and DataSourcePassword properties under which the broker was created are used under the following conditions:

- If the **securityIdentity** is blank, or if you have not changed it from the default value default\_User@default\_Server, but the identity is required for the connection URL pattern.
- If you have entered a valid unique security identity key, but it cannot be found under the DSN key.

**z/OS** On z/OS, you must specify a user ID and password with appropriate authorization to access the database. Do not use the broker-started-task user ID for this purpose. (Assign a password to a started-task user ID only after considering all of the potential security ramifications.)

- **serverName.** The name of the server; for example, host1.
  - **type4DatasourceClassName.** The name of the JDBC data source class name that is used to establish a type 4 connection to a remote database, and to coordinate transaction support. For example, for DB2, specify com.ibm.db2.jcc.DB2XADataSource, or for Oracle, specify oracle.jdbc.xa.client.OracleXADataSource. You must always specify the XA class name, even if you do not use coordinated transactions.
  - **type4DriverClassName.** The name of the JDBC Type 4 driver class name that is used to establish a connection. For example, for DB2, specify com.ibm.db2.jcc.DB2Driver, or for Oracle, specify oracle.jdbc.OracleDriver.
4. If you want to use the provided definition, run the mqsichangeproperties command to replace default values with those specific to your database and environment. If you are in any doubt about the required values, consult your database administrator, or check the documentation that is provided with your chosen database. Some values depend on how and where you have installed the database product; for example, the property  **jarsURL**  identifies the location of the jar files supplied and installed by the database provider.
  5. If you want to create a new configurable service, perhaps because you want to retain the supplied service as a template for future definitions, run the mqsicreateconfigurableservice command to create the new definition.

```
mqsicreateconfigurableservice broker_name -c JDBCProviders -o provider_name  
-n list of properties -v list of values
```

Enter the command on a single line; the example has been split to enhance readability.

Specify all the properties that are required by the database provider that you have chosen. To specify a list of properties and values, separate the items after each flag with a comma. For example, **-n databaseName,databaseType -v EmployeeDB,DB2**. If you do not specify all the properties on the mqsicreateconfigurableservice command, you can update them later with the mqsichangeproperties command.

6. When you have set up your JDBCProvider service, you must stop and restart the broker.

**Next:** if required, set up security for the JDBC connection, set up the environment to include the JDBCProvider service in globally-coordinated transactions, or both.

## Securing a JDBC type 4 connection

Set up security for the JDBC connection if required by the database provider.

**Before you start:** Set up your JDBC provider definition.

Some databases require all access to be associated with a known user ID; for others this association is optional. For example, DB2 requires a data source login name and password on all connections. If the database requires secure access to be defined, or if you choose to implement security in an optional situation, complete the task described here.

1. Identify the user ID that you want to associate with the JDBC connection, or create a new user ID with a password, following the appropriate instructions for your operating system and database.
2. Run the `mqsisetdbparms` command to associate the user ID and password with the security identity that is associated with the database that you will access using the JDBCProvider configurable service. Use the following command format:

```
| mqsisetdbparms broker_name -n security_identity -u userID -p password
```

For example, if you want user ID `myuserid` with a password of `secretpw` to access a database on broker `BROKER1`, run the following command:

```
| mqsisetdbparms BROKER1 -n jdbc::mySecurityIdentity -u myuserid -p secretpw
```

In the example, the `mySecurityIdentity` is prefixed with `jdbc::` to indicate the type of the connection for which the user ID and password are defined.

3. Update the corresponding `securityIdentity` property for the JDBCProvider configurable service to associate the connection with the security identity that you have just defined. Use the following command format:

```
| mqsichangeproperties broker_name -c JDBCProviders -o service_name -n securityIdentity -v security_identity
```

For example, if you are using the supplied JDBCProvider definition for Oracle:

```
| mqsichangeproperties BROKER1 -c JDBCProviders -o Oracle -n securityIdentity -v mySecurityIdentity
```

You can use the same user ID and password definition for more than one JDBCProvider if appropriate; specify the same security identity that you specified on the `mqsisetdbparms` command as the value for the `securityIdentity` property in each JDBCProvider definition that uses the same access security.

**Next:** if you are setting up a connection on Windows, see “Authorizing access to JDBC type 4 JDBCProvider resources” on page 147. Otherwise, see “Configuring a JDBC type 4 connection for globally-coordinated transactions.”

## Configuring a JDBC type 4 connection for globally-coordinated transactions

If you want the database that you access through a JDBC type 4 connection to participate in globally-coordinated transactions, set up the appropriate environment.

Before you start, set up your JDBC provider definition.

Updates that you make to a database across a JDBC type 4 connection can be coordinated with other actions taken within the message flow, if you set up the resources to support coordination.



Complete the following steps:

1. Check that the definition of your JDBCProvider service is appropriate for coordinated transactions.

For example, to set up the required JDBC classes:

- For DB2, set `type4DatasourceClassName` to `com.ibm.db2.jcc.DB2XADataSource` and `type4DriverClassName` to `com.ibm.db2.jcc.DB2Driver`
- For Oracle, set `type4DatasourceClassName` to `oracle.jdbc.xa.client.OracleXADataSource` and `type4DriverClassName` to `oracle.jdbc.OracleDriver`

Consult your database administrator, or the documentation provided by your database supplier, to confirm that all the JDBCProvider service properties are set appropriately. For example, a database supplier might require secure access if it is participating in coordinated transactions.

2. Define the switch file and the database properties:

- a. **Linux** **UNIX** On Linux and UNIX systems, open the `qm.ini` file for the broker's queue manager with a text editor. Add the following stanza for each database:

```
XAResourceManager:  
  Name=Database_Name  
  SwitchFile=JDBCswitch  
  XAOpenString=JDBC_DataSource  
  ThreadOfControl=THREAD
```

*Database\_Name* is the database name (DSN) of the database defined to the JDBCProvider configurable service (for example, specified by `-n databaseName -v Database_Name` on the `mqsichangeproperties` command).

`JDBCswitch` is a generic name that represents the switch file for XA coordination. Use this value, or another single fixed value, in each stanza; the specific switch file that the queue manager uses is defined by the symbolic links you create in the next step.

*JDBC\_DataSource* is the identifier of the JDBCProvider configurable service (the value that you specified for the `-o` parameter on the `mqsichangeproperties` command).

Define a stanza for each database (DSN) that you connect to from this broker. You must create separate definitions even if the DSNs resolve to the same physical database. Therefore, you must have a stanza for each JDBCProvider configurable service that you have defined, because each service can define the properties for a single database.

- b. **Windows** On Windows systems, open WebSphere MQ Explorer and select the queue manager for your broker, for example `BROKERQM`.

Open the **XA resource manager** page, and modify the attributes to create the definition of the database. The attributes are the same as those shown for Linux and UNIX; **Name**, **SwitchFile**, **XAOpenString**, and **ThreadofControl**. Leave the additional attribute, **XACloseString**, blank.

Enter the fully qualified file name in **SwitchFile**; `install_dir\bin\JDBCswitch.dll`.

3. Set up queue manager access to the switch file:

- a. **Linux** **UNIX** On Linux and UNIX systems, create a symbolic link to the switch files that are supplied in your `install_dir/lib` directory.

*install\_dir* is the directory to which you installed the broker component. The default location for this directory is /opt/ibm/mqsi/6.1 on Linux or /opt/IBM/mqsi/6.1 on UNIX systems.

Set up links in the /var/mqm/exits directory, or the /var/mqm/exits64 directory, or both. The file names for each platform are shown in the following table.

Platform	32-bit file	64-bit file
AIX	libJDBCSwitch.so	libJDBCSwitch64.so
HP-UX on Itanium		libJDBCSwitch.so
HP-UX on PA-RISC	libJDBCSwitch.sl	libJDBCSwitch64.sl
Linux on POWER		libJDBCSwitch.so
Linux on System z		libJDBCSwitch.so
Linux on x86	libJDBCSwitch.so	
Linux on x86-64	libJDBCSwitch.so	libJDBCSwitch64.so
Solaris on SPARC	libJDBCSwitch.so	libJDBCSwitch64.so
Solaris on x86-64		libJDBCSwitch.so

Specify the same name of the switch file, JDBCSwitch or your own value, in both the /exits and /exits64 directories. For example, on AIX:

```
ln -s install_dir/lib/libJDBCSwitch.so /var/mqm/exits/JDBCSwitch
```

and

```
ln -s install_dir/lib/libJDBCSwitch64.so /var/mqm/exits64/JDBCSwitch
```

- b. Windows On Windows systems, copy the JDBCSwitch.dll file from the *install\_dir*\bin directory to the \exits subdirectory in the WebSphere MQ installation directory.
4. Configure the message flow that includes one or more nodes that access databases that are to participate in a globally-coordinated transaction.
    - a. Open a workbench session.
    - b. Switch to the Broker Application Development perspective.
    - c. Add the message flow that includes the node or nodes that connect to the database that is to participate in a globally-coordinated transaction to a new or existing BAR file.
    - d. Build the BAR file.
    - e. Click the **Configure** tab, select the message flow that you have added, and select the **Coordinated Transaction** check box.

**Next:** if your broker is running on Windows, authorize the broker and its queue manager to access resources associated with the JDBCProvider configurable service.

If your broker is running on Linux and UNIX, return to the instructions in “Configuring broker and user databases” on page 107.

## Authorizing access to JDBC type 4 JDBCProvider resources

Authorize the broker and queue manager to access shared resources that are associated with the JDBCProvider. This step is required only if you want the database updates to be included in globally-coordinated transactions on Windows systems.

Before you start, set up your JDBC provider definition.

When the queue manager coordinates transactions, both queue manager and broker access shared memory to control a connection to the databases with which the message flow interacts. Therefore they require the same access control of the shared memory; one method to achieve this control is to use the same ID for the broker service ID and the queue manager's administrative ID.

Complete the following steps on the Windows system on which the broker is running:

1. If you defined the broker queue manager when you created the broker by running the `mqsicreatebroker` command, the two components share the same administrative ID, defined as the broker service ID, and you do not have to take any further action.
2. If you specified an existing queue manager when you created the broker, check that its administrative ID is the same ID as that used for the service ID of the broker. If the ID is not the same, change the queue manager ID to be the same as the broker service ID:
  - a. Click **Start** → **Run** and enter `dcomcnfg`. The Component Services window opens.
  - b. In the left pane, expand **Component Services** → **Computers** → **My Computer** and click **DCOM Config**.
  - c. In the right pane, right-click the WebSphere MQ service labelled **IBM MQSeries Services**, and click **Properties**.
  - d. Click the **Identity** tab.
  - e. Select **This user** and enter the user ID and password for the broker service ID to associate that ID with the queue manager.
  - f. Click **OK** to confirm the change.

**Next:** return to the instructions in "Configuring broker and user databases" on page 107.

## Using retained publications with a Sybase database

If you have created a broker that uses a Sybase database, and you expect extensive use of retained publications with multiple topics, apply row-level locking to the retained publications table in the database. If you do not plan to use retained publications, or expect their use to be infrequent, you do not have to make this change.

If you do not apply row-level locking, and your use of retained publications is too great, the broker will experience deadlock problems.

To apply row-level locking:

1. At a command prompt enter the following command:

```
isql -Umqsiuid -Pmqsipw
```

If you have authorized another user ID and password for broker access to this database, substitute your values for `mqsuid` and `mqsipw` in that command.

2. Connect to the broker database with this command:

```
use WBRKBKDB
```

If you have created your broker database with a different name, substitute your broker database name for `WBRKBKDB` in that command.

3. Update the retained publications table to use row-level locking with this command:

```
alter table mqsuid.BRETAINEDPUBS lock datarows
```

If the owner of this database instance is not `mqsuid`, substitute the correct schema name in that command.

4. Apply the change with this command:

```
go
```

You can check that the change has been successfully applied by entering the commands:

```
sp_help BRETAINEDPUBS  
go
```

The locking scheme is displayed: lock scheme datarows.

If the change has **not** completed, it is displayed as: lock scheme allpages.

---

## Customizing the z/OS environment

If you are planning to use a z/OS environment consider whether to create your components on z/OS. There are also a number of tasks you must complete to configure your environment.

Although you might be installing only one broker initially, you might want to consider how the product will be used in your organization in a few years time. Planning ahead makes developing your WebSphere Message Broker configuration easier.

You might consider creating the Configuration Manager on z/OS to manage the broker domain:

- In a new installation of WebSphere Message Broker, or
- If you are migrating from an earlier version of the product, where the Configuration Manager was previously on Windows.

If you want to run a Configuration Manager on z/OS, you can either:

- Connect to the Message Broker Toolkit directly, if you have the optional WebSphere MQ Client Attach feature installed; see “Connecting directly to a Configuration Manager on z/OS” on page 170, or
- Connect through an intermediate queue manager (for example, on Windows) and define the necessary WebSphere MQ components to communicate with the z/OS queue manager; see “Connecting to a z/OS Configuration Manager through an intermediate queue manager” on page 171.

If you are using publish/subscribe with security, you also require a User Name Server, which can be on z/OS or another platform.

The following rules apply:

- Queue managers must be interconnected, so that information from the User Name Server can be distributed to the brokers on other queue managers.
- A broker requires access to a queue manager and to DB2. See Database contents for details of the DB2 database user tables that are created.
- A Configuration Manager and User Name Server require access to a queue manager only.
- A broker cannot share its queue manager with another broker, but a broker can share a queue manager with a Configuration Manager and User Name Server.
- You cannot use WebSphere MQ shared queues to hold data related to WebSphere Message Broker as SYSTEM.BROKER queues, but you can use shared queues for your message flow queues.

You can find details of the WebSphere MQ queues that are created and used by WebSphere Message Broker on z/OS in “mqsicreatebroker command” on page 487.

When planning to work in a z/OS environment, you must complete the following tasks:

- Create started task procedures for the broker, User Name Server, and Configuration Managers that you plan to use. These procedures must be defined, in the started task table, with an appropriate user ID.
- Decide on your recovery strategy. As part of your systems architecture, you must have a strategy for restarting systems if they end abnormally. Common solutions are to use automation products like NetView or the Automatic Restart Manager (ARM) facility. You can configure WebSphere Message Broker to use ARM.
- Plan for corequisite products, including UNIX System Services, Resource Recovery Services, DB2, WebSphere MQ, and Java.
- Ensure that the runtime library system (RTLS) for the broker is turned off in the default options of the language environment for the system. This setting is required because the broker code is compiled using XPLINK, and XPLINK applications cannot be started while RTLS is active.
- Collect broker statistics on z/OS.

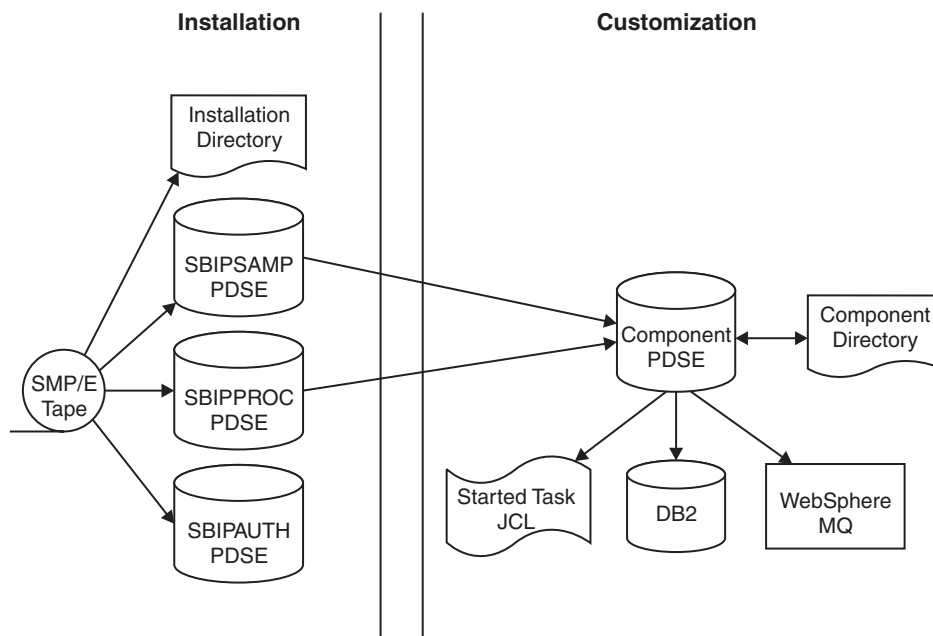
See the following topics for more information:

- “z/OS customization overview” on page 150
- “Customizing UNIX System Services on z/OS” on page 159
- “DB2 planning on z/OS” on page 161
- “WebSphere MQ planning for z/OS” on page 164
- “Resource Recovery Service planning on z/OS” on page 165
- “Defining the started tasks to z/OS Workload Manager (WLM)” on page 165
- “Automatic Restart Manager planning” on page 166
- “Mounting file systems” on page 167
- “Checking the permission of the installation directory” on page 167
- “Customizing the version of Java on z/OS” on page 168
- “Checking APF attributes of bipimain on z/OS” on page 168
- “Collecting broker statistics on z/OS” on page 169
- “Configuring an execution group address space as non-swappable on z/OS” on page 169

For an overview of how to create WebSphere Message Broker components, see “Creating WebSphere Message Broker components on z/OS” on page 169.

## z/OS customization overview

After you have used SMP/E to install WebSphere Message Broker for z/OS, the installed executable code is located inside the file system. JCL samples are located in the PDS <h1q>.SBIPSAMP, the JCL procedures are located in the PDS <h1q>.SBIPPROC, and load module for synchronizing statistics with SMF are located in the PDS <h1q>.SBIPAUTH. The following diagram gives an overview of the post-installation process.



To perform the customization, update and submit the required JCL. All necessary JCL is supplied to create the runtime environments of your broker, Configuration Manager, and User Name Server. You start the broker, Configuration Manager, or User Name Server using one of the supplied JCL files, which is run as a started task.

For more information, see:

- “Installation directory on z/OS” on page 151
- “Components on z/OS” on page 151
- “Component directory on z/OS” on page 151
- “Component PDSE on z/OS” on page 152
- “XPLink on z/OS” on page 152
- “Binding a DB2 plan to use data-sharing groups on z/OS” on page 152
- “Using the file system on z/OS” on page 153
- “Event log messages on z/OS” on page 153
- “Security considerations on z/OS” on page 153
- “Overview of message serialization on z/OS” on page 154

## Installation directory on z/OS

On z/OS, the SMP/E installation places all the product executable files into a directory of a file system under UNIX System Services (USS).

For further information on mounting file systems and allocating space see “Mounting file systems” on page 167

## Components on z/OS

A *component* is a set of runtime processes that perform a specific set of functions, and can be a broker, a Configuration Manager, or a User Name Server.

A broker processes messages, a Configuration Manager acts as an interface between the configuration repository and the set of brokers in the domain, and a User Name Server extracts information from a security product and makes it available to brokers and the workbench.

A broker that is running has a control address space and one additional address space for each deployed execution group. When the control address space is started, the broker component is started automatically. This behavior can be changed by an optional start parameter in the started task.

A Configuration Manager and User Name Server each have a single address space. When the address space is started, the components are started automatically. This behavior can be changed by an optional start parameter in the started task.

The *component name* is the external name of the component and is used, for example, in the WebSphere Message Broker workbench.

Each component requires a name, which is usually the name of the started task that runs the component. This is typically the queue manager name with a suffix of the facility; for example:

- MQP1BRK for the broker
- MQP1UNS for the User Name Server
- MQP1CMGR for the Configuration Manager

You only need a User Name Server if you are using publish/subscribe security. This User Name Server can exist anywhere in the network, including z/OS.

Each component has its own runtime environment in UNIX System Services and needs its own WebSphere MQ queue manager, although a broker, Configuration Manager, and User Name Server can share a single queue manager. A broker component also needs access to a database.

## Component directory on z/OS

The *component directory* is the root directory of the component’s runtime environment.

The *component directory* is also referred to as ComponentDirectory in some instances within the code. Both the WebSphere Message Broker administrator and the component require read and write access to the component directory. An example directory for each of the three components follows:

- /mqsi/brokers/MQP1BRK for the broker
- /mqsi/uns/MQP1UNS for the User Name Server
- /mqsi/configmgrs/MQP1CMGR for the Configuration Manager

For further information on mounting file systems and allocating space see “Mounting file systems” on page 167

## Component PDSE on z/OS

On z/OS, the *component PDSE* contains jobs customized for a single component. These jobs are used to create and administer the component.

The members specific to a component type are copied from <hlq>.SBIPSAMP and <hlq>.SBIPPROC to the component PDSE. These are then customized for the component.

The broker started-task user ID requires read access to its component PDSE at runtime.

## XPLink on z/OS

XPLink is a z/OS technology used by the C and C++ compilers to reduce the cost of function calling for programs written in these languages.

Many products, including WebSphere Message Broker for z/OS, use XPLink technology to improve their performance. To ensure the highest possible performance gains, WebSphere Message Broker requires as many as possible of the software components it uses to be XPLink-compliant. These include the broker, Java runtime, ODBC, and z/OS Language Environment.

The WebSphere Message Broker broker has been compiled by IBM to use XPLink technology and has been link-edited within the SMP/E environment to call the appropriate XPLink routines of the software components it uses. Normally, these XPLink-enabled components are configured during their customization, and the broker needs only to locate the appropriate libraries to become XPLink-enabled.

## Binding a DB2 plan to use data-sharing groups on z/OS

During customization, you can specify which plan name to use, or use the default DSNACLI. If you are using XPLINK, the default plan is called DSNACLX. If you want your broker to access DB2 data-sharing groups other than its own, the DSNACLI plan must be bound in a special way. If the broker uses one data sharing group, but might want to access tables on DSNONE and DSNTWO, which are in different data-sharing groups, amend the DB2 supplied job DSNTIJCL to do the following:

```

BIND PACKAGE (DSNAOCLI)MEMBER(DSNCLICS) ISOLATION(CS)
BIND PACKAGE (DSNAOCLI)MEMBER(DSNCLINC) ISOLATION(NC)
BIND PACKAGE (DSNAOCLI)MEMBER(DSNCLIRR) ISOLATION(RR)
BIND PACKAGE (DSNAOCLI)MEMBER(DSNCLIRS) ISOLATION(RS)
BIND PACKAGE (DSNAOCLI)MEMBER(DSNCLIUR) ISOLATION(UR)
BIND PACKAGE (DSNAOCLI)MEMBER(DSNCLIC1)
BIND PACKAGE (DSNAOCLI)MEMBER(DSNCLIC2)
BIND PACKAGE (DSNAOCLI)MEMBER(DSNCLIF4)
BIND PACKAGE (DSNAOCLI)MEMBER(DSNCLIMS)
BIND PACKAGE (DSNAOCLI)MEMBER(DSNCLIQR)
BIND PACKAGE (DSNONE.DSNAOCLI)MEMBER(DSNCLICS) ISOLATION(CS)
BIND PACKAGE (DSNONE.DSNAOCLI)MEMBER(DSNCLINC) ISOLATION(NC)
BIND PACKAGE (DSNONE.DSNAOCLI)MEMBER(DSNCLIRR) ISOLATION(RR)
BIND PACKAGE (DSNONE.DSNAOCLI)MEMBER(DSNCLIRS) ISOLATION(RS)
BIND PACKAGE (DSNONE.DSNAOCLI)MEMBER(DSNCLIUR) ISOLATION(UR)
BIND PACKAGE (DSNONE.DSNAOCLI)MEMBER(DSNCLIC1)
BIND PACKAGE (DSNONE.DSNAOCLI)MEMBER(DSNCLIC2)
BIND PACKAGE (DSNONE.DSNAOCLI)MEMBER(DSNCLIF4)
BIND PACKAGE (DSNONE.DSNAOCLI)MEMBER(DSNCLIMS)
BIND PACKAGE (DSNONE.DSNAOCLI)MEMBER(DSNCLIQR)
BIND PACKAGE (DSNTWO.DSNAOCLI)MEMBER(DSNCLICS) ISOLATION(CS)
BIND PACKAGE (DSNTWO.DSNAOCLI)MEMBER(DSNCLINC) ISOLATION(NC)
```



```

BIND PACKAGE (DSNTWO.DSNAOCLI)MEMBER(DSNCLIRR) ISOLATION(RR)
BIND PACKAGE (DSNTWO.DSNAOCLI)MEMBER(DSNCLIRS) ISOLATION(RS)
BIND PACKAGE (DSNTWO.DSNAOCLI)MEMBER(DSNCLIUR) ISOLATION(UR)
BIND PACKAGE (DSNTWO.DSNAOCLI)MEMBER(DSNCLIC1)
BIND PACKAGE (DSNTWO.DSNAOCLI)MEMBER(DSNCLIC2)
BIND PACKAGE (DSNTWO.DSNAOCLI)MEMBER(DSNCLIF4)
BIND PACKAGE (DSNTWO.DSNAOCLI)MEMBER(DSNCLIMS)
BIND PACKAGE (DSNTWO.DSNAOCLI)MEMBER(DSNCLIQR)
BIND PLAN(DSNACLI) -
PKLIST(*.DSNAOCLI,DSNCLICS -
*.DSNAOCLI.DSNCLINC -
*.DSNAOCLI.DSNCLIRR -
*.DSNAOCLI.DSNCLIRS -
*.DSNAOCLI.DSNCLIUR -
*.DSNAOCLI.DSNCLIC1 -
*.DSNAOCLI.DSNCLIC2 -
*.DSNAOCLI.DSNCLIF4 -
*.DSNAOCLI.DSNCLIMS -
*.DSNAOCLI.DSNCLIQR )

```

## Using the file system on z/OS

This is part of the larger task of customizing your z/OS environment.

If you have more than one MVS™ image, consider how you will use the file system. You can share files in a file system across different members of a sysplex. The file system is mounted on one MVS image and requests to the file are routed to the owning system using XCF from systems which do not have it mounted.

Moving a broker, User Name Server, or Configuration Manager from one image to another is straightforward and the files for each component can be shared.

However, there is a performance overhead when using files shared between images in a file system because the data flows through the Coupling Facility (this is true for trace and other diagnostic data).

For further information on mounting file systems and allocating space see “Mounting file systems” on page 167

### Space requirements:

For details of the disk space required, see “Disk space requirements on z/OS” on page 638.

## Event log messages on z/OS

This is part of the larger task of customizing your z/OS environment.

On z/OS, all address spaces have a job log where BIP messages issued by WebSphere Message Broker appear. Additionally, all messages appear on the syslog and important operator messages are filtered to the console using MPF (Message Processing Facility).

To prevent the operator’s console receiving unnecessary BIP messages, you must configure MPF to suppress all BIP messages, with the exception of important messages. Note that you do not need to have the USS SYSLOG configured.

## Security considerations on z/OS

This is part of the larger task of customizing your z/OS environment.

The role of the WebSphere Message Broker administrator includes customizing and configuring, running utilities, performing problem determination, and collecting diagnostic materials. People involved in these activities need WebSphere Message Broker authorities. You must set up some security for WebSphere Message Broker to work properly. The information that you need to do this is in “Setting up z/OS security” on page 71.

## Overview of message serialization on z/OS

Some messaging transactions depend upon the exact sequence of messages from a queue, and for that sequence to be maintained in the event of a failure of the queue manager. In these instances you must serialize the access to those messages.

Serialization of messages is achieved through the use of specialized connection options, and a unique connection token when the application that empties the messages from a queue issues a connect call to the WebSphere MQ queue manager that owns that queue.

A typical situation in which WebSphere Message Broker can exploit this feature is the case where multiple brokers, with multiple execution groups, are each running message flows that empty from a shared input queue. If one broker queue manager fails, then the message flow can be automatically started on another broker while maintaining the transactional integrity and original sequencing of the messages on the shared queue.

The following examples demonstrate how these features can be applied:

1. “Serialization of input between separate brokers on z/OS”
2. “Serialization of input between separate execution groups running on the same broker on z/OS” on page 156
3. “Serialization of input within an execution group on z/OS” on page 157

Note the following:

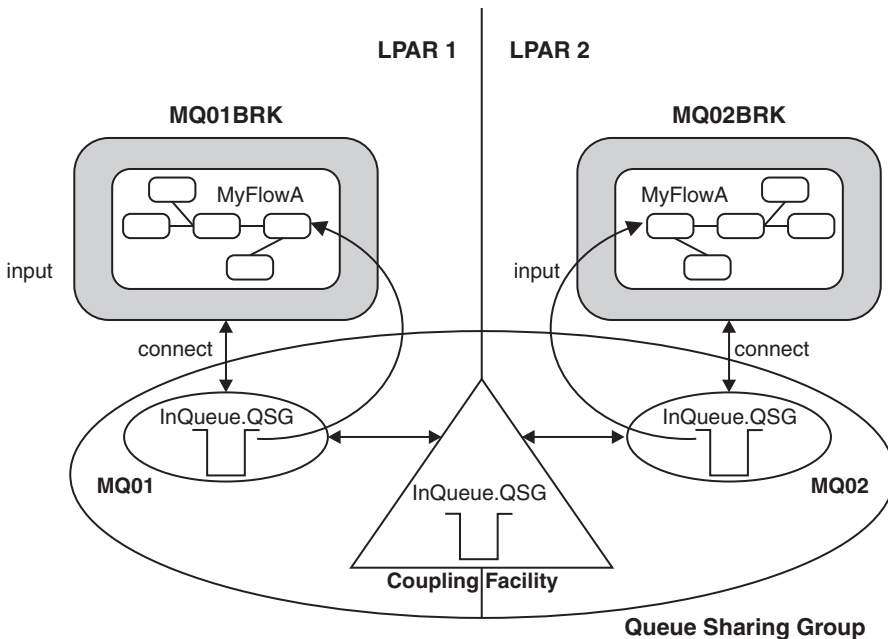
- In each of the first two examples there are two brokers configured, referred to as MQ01BRK and MQ02BRK; the broker’s respective queue managers are called MQ01 and MQ02.
- The queue managers participate in the same queue sharing group. Each queue manager has a shared queue INQueue.QSG that has been defined with a disposition of QSG, and a local queue called INQueue
- The queue managers can be running in the same Logical Partition (LPAR) or separate LPARs.
- The Coupling Facility shown in the following diagrams is a zSeries® component that allows z/OS WebSphere MQ queue managers in the same system image, or different system images, to share queues.

**Serialization of input between separate brokers on z/OS:** This example demonstrates that only one input node at a time takes messages from a shared queue when the same serialization token is used by message flows running on separate brokers.

An identical message flow MyFlowA is deployed to an execution group called MYGroupA on each broker. Note that the message flows do not have to be identical; the significant point is that an identical serialization token is used in both flows.

The simple message flow in this example consists of an MQInput node connected to an MQOutput node. The MQInput node in both message flows gets messages from the shared queue INQueue.QSG; the node attribute Serialization Token is configured as MyToken123ABC in both MQInput nodes.

The message flow property additional Instances takes the default value of zero in both message flows, which ensures that input is serialized within the flow.



A typical sequence of events for this example follows:

1. The first broker MQ01BRK starts and runs message flow MyFlowA in execution group MyGroupA. The input node MyInputNode connects to queue manager MQ01 using a serialization token MyToken123ABC. The input node successfully opens shared queue INQueue.QSG and gets input messages.
2. The second broker MQ02BRK starts and begins to run its copy of message flow MyFlowA in execution group MyGroupA. The Input node MyInputNode attempts to connect to queue manager MQ02, also using a serialization token MyToken123ABC.

The following SDSF console message is logged:

```
BIP2656I MQ02BRK MyGroupA 17 UNABLE TO OPEN QUEUE
'INQueue.QSG' ON WEBSphere BUSINESS INTEGRATION QUEUE
MANAGER 'MQ02': COMPLETION CODE 2; REASON CODE 2271.
:ImbCommonInputNode(759) BECAUSE SERIALIZATION TOKEN
MyToken123ABC is already in use. NO USER ACTION REQUIRED.
```

Note that this message is output every 30 minutes.

Message flow MyFlowA in execution group MyGroupA running on broker MQ02BRK is unable to process input because the serialization token it has passed is already in use within the queue sharing group. This is indicated by the reason code 2271 (MQRC\_CONN\_TAG\_IN\_USE) in message bip2623.

3. Broker MQ01BRK stops. Message flow MyFlowA in execution group MyGroupA in broker MQ02BRK2 is now able to get messages from the shared queue INQueue.QSG.

A sequence of SDSF console messages is logged, of which the following two are relevant:

```

BIP2091I MQ02BRK MyGroupA 17 THE BROKER HAS
RECONNECTED TO WEBSPPHERE BUSINESS INTEGRATION
SUCCESSFULLY : ImbCommonInputNode(785)
BIP9142I MQ01BRK 0 THE COMPONENT HAS STOPPED. :
ImbControlService(594)

```

The preceding sequence of events also occurs should broker MQ01BRK fail, rather than stop through a request from the operator, or if a new broker configuration is deployed to MQ01BRK that deletes or modifies message flow MyFlowA.

This arrangement can also be used where the requirement is to migrate message processing between brokers running in different z/OS system images that are attached to the same Coupling Facility.

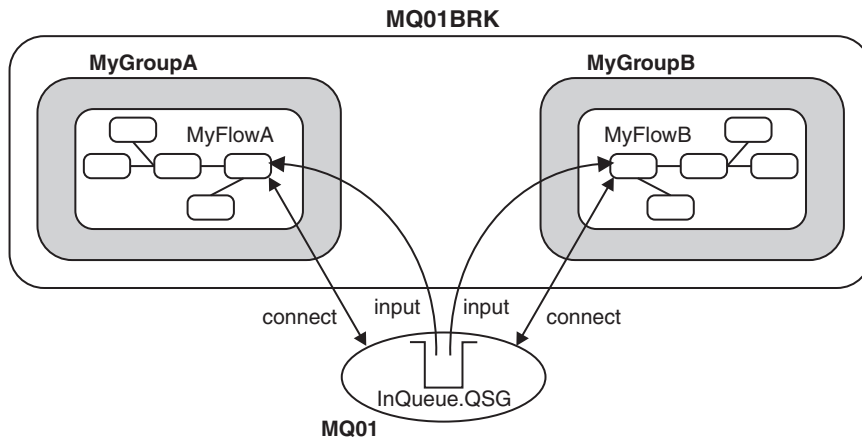
**Serialization of input between separate execution groups running on the same broker on z/OS:** This example demonstrates that only one MQInput node at a time is allowed to take messages from a shared queue when the same serialization token is used by message flows running in separate execution groups on the same broker.

An identical message flow MyFlowA is deployed to two execution groups called MYGroupA and MYGroupB on broker MQ01BRK.

In this case it is not a requirement that the queue manager participates in a queue sharing group. The input queue INQueue is defined as local with disposition QMGR.

As in “Serialization of input between separate brokers on z/OS” on page 154:

- Note that the message flows do not have to be identical; the significant point is that an identical serialization token is used in both flows.
- The simple message flow in this example consists of an MQInput node connected to an MQOutput node. The MQInput node in both message flows gets messages from the shared queue INQueue.QSG; the node attribute Serialization Token is configured as MyToken123ABC in both MQInput nodes.
- The message flow property additional Instances takes the default value of zero in both message flows, which ensures that input is serialized within the flow.



A typical sequence of events for this example follows:

1. Broker MQ01BRK starts and the first message flow to begin is MyFlowA in execution group MyGroupA. The MQInput node MyInputNode connects to queue manager MQ01 using the serialization token MyToken123ABC. The MQInput node successfully opens shared queue INQueue and gets input messages.
2. The second execution group MyGroupB starts and message flow MyFlowA in execution group MyGroupB begins. The MQInput node MyInputNode now attempts to connect to queue manager MQ01 using serialization token MyToken123ABC. The following SDSF console message is logged:

```
BIP2656I MQ01BRK MyGroupB 11 UNABLE TO OPEN QUEUE  
'INQueue' ON WEBSHERE BUSINESS INTEGRATION QUEUE  
MANAGER 'MQ01': BECAUSE SERIALIZATION TOKEN  
MyToken123ABC is already in use. NO USER ACTION REQUIRED
```

Message flow MyFlowA in execution group MyGroupB is unable to process input because the serialization token it has passed is already in use within the queue manager (by the MQInput node in message flow MyFlowA in execution group MyGroupA). This is indicated by the reason code 2271 (MQRC\_CONN\_TAG\_IN\_USE) in message bip2623.

3. The first execution group is deleted or cancelled.

If the first execution group is cancelled by the operator, abends, or is deleted during a redeployment of the broker configuration, then the input node in the second execution group is now able to get input messages from queue INQueue.

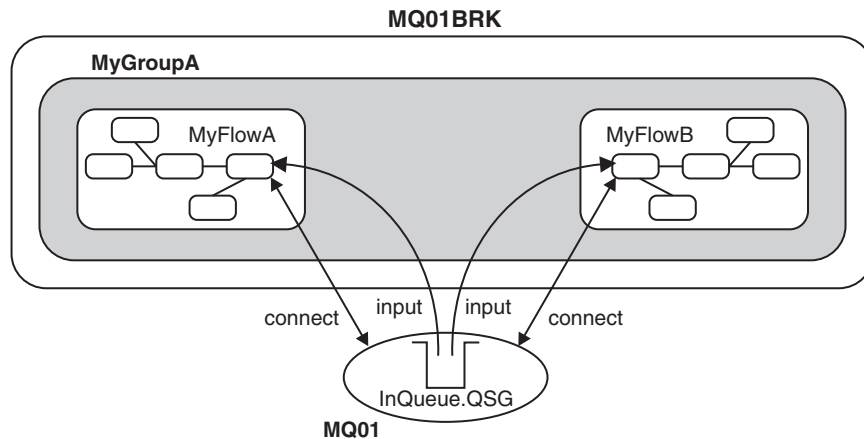
A sequence of SDSF console messages is logged, of which the following one is relevant:

```
BIP2091I MQ01BRK MyGroupB 11 THE BROKER HAS  
RECONNECTED TO WEBSHERE BUSINESS INTEGRATION  
SUCCESSFULLY : ImbCommonInputNode(785)
```

Message flow MyFlowA in execution group MyGroupB is now able to recover processing of messages from the shared queue INQueue.QSG.

Note that, although serialization of input can be achieved in a similar manner by configuring the input queue for exclusive input, this does not ensure message integrity during a recovery situation. This can be achieved only through the use of the serialization token as described in this example.

**Serialization of input within an execution group on z/OS:** To allow concurrent processing within a message flow, while still serializing messages between message flows in separate execution groups, the scope of the serialization token is restricted within a single execution group.



This example demonstrates that the serialization token is restricted within a single execution group running on a broker::

- Two MQInput nodes in separate message flows (in this case MyFlowA and MyFlowB ) are running within the same execution group MyGroupA. Both MQInput nodes concurrently get messages from the shared input queue even though they are using the same serialization token.
- If serialization is required within a single message flow then the message flow attribute `additional instances` must be set to zero which is the default setting. However, if greater throughput is required and serialization of input within the flow is not important, you can set `additional instances` to a value greater than zero.
- The use of the serialization token attribute on the MQInput node does not serialize input between message flows operating within the same execution group. However, setting the attribute has no adverse affect on the processing within that execution group
- In this way it is possible to maximize throughput in a message flow on one broker while still serializing input between brokers. This is useful where the requirement is to have one or more brokers acting as an immediate standby, should the currently active broker need to be stopped for servicing, or fail unexpectedly.

#### **Serialization token - user tasks on z/OS:**

Configure shared input queues and define serialization tokens for message flows.

#### **Configure a shared input queue for message flows**

The broker makes use of WebSphere MQ queue-sharing groups on z/OS.

Queue managers that can access the same set of shared queues form a group called a queue-sharing group (QSG) and they communicate with each other by means of a coupling facility (CF) that stores the shared queues. A shared queue is a type of local queue whose messages can be accessed by one or more queue managers that are in a QSG.

To further enhance the availability of messages in a QSG, WebSphere MQ detects if another queue manager in the group disconnects from the CF in an unusual way, and completes pending units of work for that queue manager where possible; this is known as peer recovery.

To understand more fully the concepts of shared-queues and queue-sharing groups, see the *Concepts and Planning Guide* section of the WebSphere MQ Version 7 information center online or WebSphere MQ Version 6 information center online, and perform the following steps:

- Add a QSG to the DB2 tables
- Add a queue manager to a QSG
- Create the shared queue as a member of the QSG

### Define a serialization token

Define the same value for the serialization token attribute for each MQInput node that is required to access the shared queue.

For the situations described in the preceding text to work you must:

- Ensure that the Coupling Facility Structure is at CFLEVEL(3) or above, and that you set RECOVER=YES.

If you do not do this, when an MQInput node attempts to get a message from the shared queue, the action fails with the WebSphere MQ return code BIP2048 (MQRC\_PERSISTENT\_NOT\_ALLOWED)

- Set the Backout Threshold for the shared queue to at least 2.

This value prevents input messages that are in progress being sent to the Dead Letter Queue because, during recovery, a message is restored to the input queue before another broker is able to get it and resume processing.

## Customizing UNIX System Services on z/OS

This is part of the larger task of customizing your z/OS environment.

WebSphere Message Broker requires the setup of some UNIX System Services system parameters. You can use the SETOMVS operator command for dynamic changes or the BPXPRMxx PARMLIB member for permanent changes. See the *z/OS UNIX System Services Planning* manual for more information.

Use the D OMVS,O command to display your current OMVS options.

Do not include the broker addresses if you use the IEFUSI exit to limit the region size of OMVS address spaces.

Set the UNIX System Services parameters shown in the following table.

<i>Description</i>	<i>Parameter</i>	<i>Value</i>
The maximum core dump file size (in bytes) that a process can create. Allow an unlimited size.	MAXCORESIZE	2 147 483 647
The CPU time (in seconds) that a process is allowed to use. Allow an unlimited CPU time.	MAXCPU TIME	2 147 483 647

The address space region size. Set to the size of the biggest address space.	MAXASSIZE	> 1 073 741 824  A minimum value of 393 216 000 bytes is required.
Specifies the maximum number of threads that a single process can have active. Depends on the definitions of message flows.	MAXTHREADS MAXTHREADTASKS	The value of MAXTHREADS and MAXTHREADTASKS depends on your application. To calculate the value needed for each message flow:  1. Multiply the number of input nodes by the number of instances (additional threads +1).  2. Sum the values of all message flows, then add 10 to the sum.  3. Add to the sum the number of threads used for each HTTP listener.

Deploying a message flow that starts an execution group in a new address space uses USS Semaphore and SharedMemorySegment resources. Each new address space uses a semaphore and SharedMemorySegment. The SharedMemorySegment is deleted immediately after the new address space has started, but the semaphore remains for the life of the new address space.

Certain USS system parameters can affect the start of a new execution group address-space, if you set them incorrectly. These parameters include:

- IPCSEMNIDS
- IPCSHMNIDS
- IPCSHMNSEGS

You need a minimum of three semaphores for each execution group address-space that is started.

You must set IPCSEMNIDS to a value four times the number of potential execution group address-spaces on a system.

You need one SharedMemorySegment for each execution group address-space that is started. You must set IPCSEMNIDS to a value that exceeds the number of potential execution group address-spaces on a system.

A control address space (BIPSERVICE and BIPBROKER processes) can be attached to many SharedMemorySegments - potentially, one for each execution group address-space started for that broker. You must set IPCSHMNSEGS to a value that exceeds the potential number of execution groups for each broker.

### **Ensuring sufficient space for temporary files**

The environment variable TMPDIR is the path name of the directory being used for temporary files. If it is not set, the z/OS shell uses /tmp.

When starting WebSphere Message Broker components, sufficient space is required in the directory referenced by TMPDIR. In particular, Java needs sufficient space to hold all JAR files required by WebSphere Message Broker.



If you do not allocate sufficient space, the execution group address-spaces abends with a 2C1 code.

Allow at least 50 MB of space in this directory for broker components and 10 MB of space for Configuration Manager components. More space might be needed if you deploy large user-defined nodes or other JAR files to the broker component.

### Defining WebSphere Message Broker files as shared-library programs

If you plan to deploy to more than one execution group on z/OS, the amount of storage required by the execution group address-spaces can be reduced by setting the shared-library extended attribute on the following WebSphere Message Broker files:

```
/usr/lpp/mqsi/bin/*
/usr/lpp/mqsi/lib/*
/usr/lpp/mqsi/lib/wbirf/*
/usr/lpp/mqsi/lib/wbimb/*
```

To set the shared-library attribute, use the **extattr** command with the +1 option. For example:

```
extattr +1 /usr/lpp/mqsi/bin/*
```

To find out if the shared-library extended attribute has been set, use the **ls -E** command. For example, use the command **ls -E bipimain** to generate the following response:

```
-rwxr-x--- a-l- 1 USER  GROUP  139264 Mar 15 10:05 bipimain
```

where **l** (lowercase L, as in **a-l-**) shows that the program is enabled to run in a shared address space.

Use the following command to check that you have enough **SHRLIBRGNSIZE** to contain all of the shared-library programs that are to be used on the system:

```
/D OMVS,LIMITS
```

## DB2 planning on z/OS

This is part of the larger task of customizing your z/OS environment and is relevant only to the broker component. The Configuration Manager and User Name Server do not require access to DB2.

WebSphere Message Broker for z/OS accesses DB2 tables using ODBC. To connect to DB2 using ODBC, the location name of the DB2 subsystem is used.

See the *DB2 for z/OS V8 Data Sharing: Planning and Administration* manual for more details.

You need to give certain user IDs access to DB2 resources and these are summarized below:

- DB2 systems administrator
  1. Create database, storage groups and table spaces (BIPCRDB).
  2. Drop database (BIPDLDB)
- Administrator for the broker database (DBA). This should be the WebSphere Message Broker administrator.

1. Create tables and indexes (BIPCRBK)
  2. Create tables, drop tables and create indexes (BIPMGCMP)
- Broker started task user Id:
    1. SQL to select, insert, and delete rows from the broker database tables, and select from DB2 system tables.
  - WebSphere Message Broker administrator and other users
    1. SQL to select, insert, and delete rows from the broker database tables, and select from DB2 system tables.

When your DB2 system starts up there should be a message DSNL004I DDF START COMPLETE. The location name is displayed just after this message. When you customize a broker component on z/OS you create a dsnaoini file called BIPDSNAO in the broker PDSE. It contains necessary information to establish the ODBC connection.

See the *DB2 for z/OS V8 ODBC Guide and Reference* manual for more details.

You should avoid using a data source name that is the same as the subsystem ID or data sharing ID. If the same name is used, this might affect the granularity of directives on connection with the database.

If you choose to use the same value for the data source name and subsystem ID, you must edit BIPDSNAO in the broker PDSE so that the Datasource and Subsystem keywords are in one section.

See the *DB2 for z/OS V8 ODBC Guide and Reference* manual for more information on customizing this file.

During customization you can specify which plan name to use, or use the default DSNACLI. If you want your broker to access DB2 data-sharing groups other than its own, the DSNACLI plan must be bound in a special way. Check the wildcard location is specified by using SPUFI and issuing the following command:

```
select * from SYSIBM.SYSPACKLIST where planname = 'DSNACLI';
```

You should rebind if the location column is blank and not '\*'.

You should also check that DSNACLI is in the SYSIBM.SYSPLAN table.

You will get significant performance benefits from using the CACHE DYNAMIC SQL facility of DB2, because this eliminates the need to reprocess DB2 statements.

See CACHEDYN=YES in the DB2 information center (z/OS).

If your user database is configured to use a comma as a decimal separator using the DSNHDECP module, you will find there is a restriction. If there is a mismatch between DB2 and the locale settings of the user ID under which the broker runs (specifically LC\_NUMERIC), your user database updates can be unpredictable. LC\_NUMERIC is set through the LC\_ALL setting in the BIPBPROF member, and therefore the environment file. The following list details the four possibilities:

- If DB2 is configured to use a period as a decimal point and LC\_NUMERIC is set to a value that indicates a period decimal point; user database updates should work correctly.

- If DB2 is configured to use a comma as a decimal point and LC\_NUMERIC is set to a value that indicates a comma decimal point; user database updates should work correctly.
- If DB2 is configured to use a period as a decimal point and LC\_NUMERIC is set to a value that indicates a comma decimal point; user database updates can lead to unpredictable behavior.
- If DB2 is configured to use a comma as a decimal point and LC\_NUMERIC is set to a value that indicates a period decimal point; user database updates can lead to unpredictable behavior.

You can use the DB2 security mechanism, or if on z/OS 1.6 and DB2 Version 8 use an external security manager, for example, RACF.

### DB2 security mechanism

The most practical way of managing access to a broker's DB2 resources is to define two RACF groups and connect users to these groups. For example, RACF groups MQP1ADM and MQP1USR are defined for broker MQP1BRK as follows:

- For group MQP1ADM
  1. Grant this group DBADM authority for the broker database.
  2. Typically owned by the WebSphere Message Broker administrator; user Ids must be added to this group who need to submit BIPCRBK to create a broker, or BIPMGCMP to migrate a broker.

- For group MQP1USR

1. Give this group access to manipulate rows in the broker tables and allow select access to DB2 system tables. For example:

```
GRANT DELETE, INSERT, SELECT, UPDATE
  ON TABLE
    DB2_TABLE_OWNER.BSUBSCRIPTIONS
    ,DB2_TABLE_OWNER.BPUBLISHERS
    ,DB2_TABLE_OWNER.BCLIENTUSER
    ,DB2_TABLE_OWNER.BTOPOLOGY
    ,DB2_TABLE_OWNER.BNBRCONNECTIONS
    ,DB2_TABLE_OWNER.BRETAINEDPUBS
    ,DB2_TABLE_OWNER.BACLENTRIES
    ,DB2_TABLE_OWNER.BMQPSTOPOLOGY
    ,DB2_TABLE_OWNER.BUSERNAME
    ,DB2_TABLE_OWNER.BGROUPNAME
    ,DB2_TABLE_OWNER.BUSERMEMBERSHIP
    ,DB2_TABLE_OWNER.BROKERAA
    ,DB2_TABLE_OWNER.BROKERAAEG
    ,DB2_TABLE_OWNER.BROKERRESOURCES
    ,DB2_TABLE_OWNER.BRMINFO
    ,DB2_TABLE_OWNER.BRMRTDINFO
    ,DB2_TABLE_OWNER.BRMRTDDEPINFO
    ,DB2_TABLE_OWNER.BRMWFDINFO
    ,DB2_TABLE_OWNER.BRMPHYSICALRES
    ,DB2_TABLE_OWNER.BAGGREGATE
    ,DB2_TABLE_OWNER.BMULTICASTTOPICS
  TO MQP1USR;

GRANT SELECT
  ON TABLE
    SYSIBM.SYSTABLES
    ,SYSIBM.SYSSYNONYMS
    ,SYSIBM.SYSDATABASE
  TO MQP1USR;
```

2. If a message flow issues a CALL statement to invoke a stored procedure, add select access to the following DB2 system tables:

```
GRANT SELECT
  ON TABLE
      SYSIBM.SYSROUTINES
      ,SYSIBM.SYSPARMS
  TO MQPIUSR;
```

3. Connect the broker started task user Id and the WebSphere Message Broker administrator to this group, and connect any other users who might need access to the tables, for example those submitting BIPRELG to run the mqsireadlog command.

Note the following:

- When accessing DB2 resources, you specify a CURRENT SQLID as a DB2 command, or through the BIPDSNA0 member.  
If this Id is a group, then DB2 checks to see if your user Id is connected to this group, and if it is, you inherit the access from the group; if the user Id is not in the group, you get SQL code -551.  
If your Id is in multiple groups, then the highest authorities are used.
- For BIPCRDB and BIPDLDB the CURRENT SQLID is specified as a command in the JCL. For all other JCL it is specified in BIPDSNA0.
- If you do not use groups to define permissions, but use a specific user Id to define the permissions to individual user Ids, then, if the granting user Id is removed from DB2 any permissions that it gave are also removed. This can prevent other users working.
- When the BIPDLDB job drops the broker DB2 database, it also deletes any Image Copy references to itself that you currently have. If you restore the broker in future you need to reinstate the Image Copy references.

If this Id is a group, then DB2 checks to see if your user Id is connected to this group, and if it is, you inherit the access from the group; if the user Id is not in the group, you get SQL code -551. If your Id is in multiple groups, then the highest authorities are used.

If you do not use groups to define permissions, but use a specific user ID to define the permissions to individual user Ids, then, if the granting user Id is removed from DB2 any permissions that it gave are also removed. This can prevent other users working.

See “z/OS JCL variables” on page 645 for further information on the WebSphere Message Broker for z/OS jobs that are supplied.

## WebSphere MQ planning for z/OS

This is part of the larger task of customizing your z/OS environment.

You are required to have a separate WebSphere MQ queue manager for each broker, User Name Server (although you would typically have only one User Name Server in your environment), and Configuration Manager. A broker, User Name Server, and Configuration Manager however, can share the same queue manager. All WebSphere Message Broker for z/OS system queues are defined during customization.

Your queue manager needs a dead-letter queue. Check this by using the WebSphere MQ command:

```
+cpf DIS QMGR DEADQ
```

Check the queue exists by using the command:

```
+cpf DIS QL(name) STGCLASS
```

Then use the:

```
+cpf DIS STGCLASS(...)
```

to check the STGCLASS value is valid. If the queue manager does not have a valid dead-letter queue, you must define one.

Set up your channel initiator to use distributed queuing. You need channels between the z/OS queue manager and the queue manager of your Configuration Manager (if not on z/OS). If you are using Publish/Subscribe security, you also need access to the queue manager used by the User Name Server, which can be on z/OS or on another platform. You should be able to successfully start channels between the various queue managers before you can test that the broker is working. When configuring the transmission queues between the brokers on z/OS and the Configuration Manager, ensure you set the maximum message size of the queues to 100 MB. This allows large reply messages concerning deployment to be returned to the Configuration Manager. See “Creating a domain connection” on page 246 for details.

Creating and deleting components on z/OS requires the command server on the WebSphere MQ queue manager to be started, which is normally done automatically (refer to the *WebSphere MQ for z/OS System Administration Guide* for more details).

This requires a reply-to queue based on SYSTEM.COMMAND.REPLY.MODEL; by default, this model queue is defined as permanent dynamic. However, if you leave the queue defined in this way, each time you run a create or delete component command these reply-to queues remain defined to the queue manager. To avoid this you can set the SYSTEM.COMMAND.REPLY.MODEL queue as temporary dynamic.

## Resource Recovery Service planning on z/OS

This is part of the larger task of customizing your z/OS environment.

WebSphere Message Broker for z/OS uses Resource Recovery Service (RRS) to coordinate changes to WebSphere MQ and DB2 resources. Ensure it is configured and active on your system, because your broker cannot connect to DB2 unless RRS is active.

Refer to the following manuals for detailed information about RRS: *z/OS V1R5.0 MVS Setting Up a Sysplex* and *z/OS V1R5.0 MVS Programming: Resource Recovery SA22-7616*.

## Defining the started tasks to z/OS Workload Manager (WLM)

This is part of the larger task of customizing your z/OS environment.

If you are running z/OS in Workload mode, change the classification rules to add the started task names of the brokers, User Name Server, and Configuration Manager to the Started Task Control (STC) subsystem types, for example MQP1BRK, MQP1UNS, and MQP1CMGR to the OMVS subsystem types.

If you are running in compatibility mode, add the broker and User Name Server address spaces to the IEAICSxx member in SYS1.PARMLIB. For example, for a broker MQP1BRK, use the commands:

```
SUBSYS=STC
..
TRXNAME=MQP1BRK,PGN=35,RPGN=2010
..
SUBSYS=OMVS
..
TRXNAME=MQP1BRK%(1),PGN=35,RPGN=2011
../* Broker address spaces*/
```

The %(1) represents jobs beginning with MQP1BRK with one character following it. Define the priority of the broker lower than DB2 and WebSphere MQ.

## Automatic Restart Manager planning

This is part of the larger task of customizing your z/OS environment.

WebSphere Message Broker for z/OS allows you to register a component to the Automatic Restart Manager (ARM).

When customizing a component, you register it with ARM by editing the following environment variables in the component's profile:

Description	Name
Switch that determines whether ARM will be used (YES or NO).	MQSI_USE_ARM
ARM element name	MQSI_ARM_ELEMENTNAME
ARM element type	MQSI_ARM_ELEMENTTYPE

By default components do not register to ARM; the initial setting is MQSI\_USE\_ARM=NO. You can override this by setting MQSI\_USE\_ARM=YES and providing an ARM element name and type.

MQSI\_ARM\_ELEMENTNAME must be a maximum of 8 characters in length, because WebSphere Message Broker adds a prefix of SYSWMQI. For example, if you supply the value MQP1BRK to ARM\_ELEMENTNAME, the element you define in your ARM policy is SYSWMQI\_MQP1BRK.

To enable automatic restart you must also:

- Set up an ARM couple data set.
- Define the automatic restart actions that you want z/OS to perform in an ARM policy.
- Start the ARM policy.

The following manuals provide detailed information about ARM couple data sets, including samples:

- *z/OS MVS Programming: Sysplex Services Guide*
- *z/OS MVS Programming: Sysplex Services Reference*
- *z/OS MVS Setting up a Sysplex*

## Mounting file systems

For directories such as ++HOME++, ++COMPONENTDIRECTORY++, and ++INSTALL++ you must either create a directory, or mount a file system of this name, before using the directory.

To create a directory in an already mounted file system use the `mkdir` command. For example:

```
mkdir -p /mqsi/brokers/MQP1BRK
```

To mount a new file system, follow the instructions given in the *z/OS UNIX System Services Planning* manual.

From USS, use the following instruction:

```
mkdir -p /mqsi/brokers/MQP1BRK
```

From TSO, use the following instructions:

```
ALLOCATE DATASET('MQSI.BROKER.MQP1BRK') DSNTYPE(HFS) SPACE(5,5) DIR(1) CYL
FREE DATASET('MQSI.BROKER.MQP1BRK')
MOUNT FILESYSTEM('MQSI.BROKER.MQP1BRK') TYPE(HFS)
      MOUNTPOINT('/mqsi/brokers/MQP1BRK')
```

Note that the preceding `ALLOCATE` command is an example; the dataset should be allocated the correct amount of storage as described in “Disk space requirements on z/OS” on page 638

## Checking the permission of the installation directory

This is part of the larger task of customizing your z/OS environment.

You must ensure that the appropriate user IDs, for example, the WebSphere Message Broker Administrator and any component Started Task user IDs have `READ` and `EXECUTE` permission to the WebSphere Message Broker installation directory.

You are recommended to set these permissions using the group access control.

1. Display the permissions on the installation directory using the `ls` command.

```
ls -l /usr/lpp/mqsi
```

This command displays lines similar to the following:

```
drwxr-xr-x  2 TSUSER  MQM      8192 Jun 17 09:54 bin
```

In this example, `MQM` is the group associated with the directory. Those user IDs requiring permission to the directory must be a member of this group.

This example also shows the permissions defined for the directory. User `TSUSER` has `rwX` (`READ`, `WRITE` and `EXECUTE`), group `MQM` has `rx`, and any other user ID has `rx`.

2. Ensure that the user IDs requiring permission have a group that matches that of the installation directory. Use the following command, where `userid` is the ID you want to check:

```
id <userid>
```

3. If the installation directory does not have a valid group, use the command `chgrp` to set the group of the directory:

```
chgrp -R <group> <pathname>
```

For example:

```
chgrp -R MQSI /usr/lpp/mqsi
```

You have to be the owner of the group or have superuser authority to use this command.

4. If the installation directory does not have the correct permissions for the group (READ / EXECUTE), use the command `chmod` to change the permissions:

```
chmod -R g=rx <pathname>
```

For example:

```
chmod -R g=rx /usr/lpp/mqsi
```

## Customizing the version of Java on z/OS

How you check the version of Java in your enterprise, and how you change the version, if necessary.

This task is part of the larger task of customizing your z/OS environment.

WebSphere Message Broker supports Java version 5 (SR5) (also known as Java 1.5.)

To check the current version of Java in a broker component:

1. Change to the `bin` directory in which you installed Java.

For example, if Java is installed in `/usr/lpp/java`, change to the `/usr/lpp/java/bin` directory and type `./java -fullversion`. You receive a response similar to the following:

```
java version "1.5.0"  
Java(TM) 2 Runtime Environment, Standard Edition (build 1.5.0)  
Classic VM (build 1.5.0 J2RE 1.5.0 IBM z/OS Persistent Reusable VM build cm142-20040917  
(JIT enabled: jitc))
```

The response in this example confirms that Java 1.5.0 is the current version, which is the minimum level required for this platform.

2. If you want to set, or change, the current Java version, edit `JAVAHOME` in the profile for the component (`BIPBPROF` for a broker, `BIPUPROF` for a User Name Server, `BIPCPROF` for a Configuration Manager).

Because the version of Java used is defined in the component profile, you can specify a different version for each component.

For further details about component profiles, see "Creating WebSphere Message Broker components on z/OS" on page 169.

3. Run `BIPGEN` to incorporate any changes that you make.
4. Restart the component to pick up changes to the `ENVFILE`.

## Checking APF attributes of bipimain on z/OS

This is part of the larger task of setting up your z/OS environment.

Use the `extattr` command to display the attributes of the object `bipimain`. For example:

```
extattr /usr/lpp/mqsi/bin/bipimain
```

It should show APF authorized = YES. If it does not, use `extattr +a bipimain` to set this attribute. For example:

```
extattr +a /usr/lpp/mqsi/bin/bipimain
```



Note that you need the appropriate authorization to issue this command.

## Collecting broker statistics on z/OS

If you need to write broker statistics to SMF, you need to have the library <HLQ>.SBIPAUTH in your STEPLIB.

This library and all the libraries in the STEPLIB concatenation need to be APF authorized.

You can use the “mqsichange flowstats command” on page 421 with o=SMF for this purpose.

## Configuring an execution group address space as non-swappable on z/OS

Because broker execution groups run as processes in UNIX System Services they cannot be set as NOSWAP in the PPT.

Instead, you can set the following environment variables in the broker environment file so that some, or all, of the address spaces of the broker execution groups request that they become non-swappable by the system; see “Creating the environment file” on page 184 for further information on adding an environment variable to a broker.

```
MQSI_NOSWAP=yes
```

sets the address spaces of all the execution groups to be non-swappable.

```
MQSI_NOSWAP_egname=yes
```

issues a request to the system, for each execution group labelled egname, that the address space be set as non-swappable.

```
MQSI_NOSWAP_uid=yes
```

issues a request to the system, for each execution group with the UUID labelled uuid, that the address space be set as non-swappable.

In order for the above requests to succeed, the broker’s started task ID needs READ access to the BPX.STOR.SWAP facility class through their external security manager, for example, RACF.

When an application makes an address space non-swappable, it can cause additional real storage in the system to be converted to preferred storage. Because preferred storage cannot be configured offline, using this service can reduce the installation’s ability to re-configure storage in the future.

## Creating WebSphere Message Broker components on z/OS

This topic provides an overview of how to create WebSphere Message Broker components on z/OS.

### Before you start

Before starting this task, you must have installed:

- WebSphere MQ for z/OS, with the optional JMS feature applied; for example, mounted at /usr/lpp/mqm.

- WebSphere Message Broker for z/OS, with a broker file system mounted; for example, /usr/lpp/mqsi.

If you want to connect a Message Broker Toolkit directly to the Configuration Manager on z/OS, you *must* install the optional WebSphere MQ Client Attach feature.

If you do not have the WebSphere MQ Client Attach feature installed, you can connect the Message Broker Toolkit through an intermediate queue manager.

You should also read through all the sub topics in the “Customizing the z/OS environment” on page 148 section, and follow the guidance within those topics.

1. Determine the customization information for your environment. The following list of topics contains tables of information that needs to be gathered before you can proceed with creating a broker domain on z/OS. Complete the information that your enterprise requires.

If necessary, discuss the requirements with your system, DB2, and WebSphere MQ administrators.

- Broker:
    - “Installation information - broker and User Name Server” on page 180
    - “DB2 information” on page 180
    - “Component information - broker” on page 181
  - Configuration Manager:
    - “Installation information - Configuration Manager” on page 194
    - “Component information - Configuration Manager” on page 194
  - User Name Server:
    - “Installation information - broker and User Name Server” on page 180
    - “Component information - User Name Server” on page 203
2. Set up security for the started task user IDs. Start with “Setting up z/OS security” on page 71.
  3. Plan your DB2 requirements. Start with “DB2 planning on z/OS” on page 161.
  4. Create the broker by carrying out the tasks listed in “Creating a broker on z/OS” on page 179. Start with “Creating the broker PDSE” on page 182.
  5. Create the Configuration Manager by carrying out the tasks listed in “Creating a Configuration Manager on z/OS” on page 193. Start with “Creating the Configuration Manager PDSE” on page 195.
    - a. Set up the connections between the Message Broker Toolkit and the Configuration Manager.
      - If you are using the WebSphere MQ Client Attach feature, see “Connecting directly to a Configuration Manager on z/OS.”
      - If you are connecting through an intermediate queue manager; see “Connecting to a z/OS Configuration Manager through an intermediate queue manager” on page 171.
  6. Optionally, create the User Name Server by carrying out the tasks listed in “Creating a User Name Server on z/OS” on page 202. Start with “Creating the User Name Server PDSE” on page 204.

## Connecting directly to a Configuration Manager on z/OS

You can create a direct connection to a Configuration Manager in several ways.

You can connect from:

- The Message Broker Toolkit.
- A Configuration Manager Proxy (CMP) application.
- One of the WebSphere Message Broker commands used for the Configuration Manager; for example, `mqscreateexecutiongroup`.

All of these options connect over a WebSphere MQ server-connection channel. The default name for this is `SYSTEM.BKR.CONFIG`, but you can use another value. You can connect directly to this channel only if you have the optional WebSphere MQ Client Attach feature installed.

Alternatively, you can connect through an intermediate queue manager; see “Connecting to a z/OS Configuration Manager through an intermediate queue manager.”

### Before you start

Before starting this task, you must have set up your system components, as described in “Creating WebSphere Message Broker components on z/OS” on page 169.

Set up the connections between the Message Broker Toolkit and the Configuration Manager by carrying out the following tasks:

1. Verify that your queue manager and channel initiator are running and that the channel initiator is listening on the appropriate port.  
For more information see your WebSphere MQ documentation.
2. Ensure that your Configuration Manager is running; see “Starting and stopping a Configuration Manager on z/OS” on page 322.
3. Ensure that your user ID has been given the appropriate authorization on the z/OS Configuration Manager.

In SDSF, grant FULL domain access to user ID `test1`. For all machines enter:  
`'/F WMQXCFG,CA U=test1,A=YES,P=YES,X=F'`

To grant access to a specific machine for user `test1`, enter:  
`'/F WMQXCFG,CA U=test1,M=mymachine,P=YES,X=F'`

4. Create a new domain connection; see “Creating a domain connection” on page 246.

### Connecting to a z/OS Configuration Manager through an intermediate queue manager

Connect a Message Broker Toolkit to a z/OS Configuration Manager without the need for the WebSphere MQ Client Attach feature.

You must use an intermediate queue manager on another platform, for example, Windows, to make this connection.

When carrying out this task, see your WebSphere MQ documentation for more information.

### Before you start

Before starting this task, you must have set up your system components as described in “Creating WebSphere Message Broker components on z/OS” on page 169.

1. Set up the connections between the Message Broker Toolkit and the Configuration Manager by carrying out the following tasks:
  - a. Verify that your queue manager and channel initiator are running and that the channel initiator is listening on the appropriate port.  
For more information, see your WebSphere MQ documentation.
  - b. Ensure that your user ID has been given the appropriate authorization on the z/OS Configuration Manager.  
In SDSF, grant FULL domain access to user Id test1. For all machines enter:  
`'/F WMQxCFG CA U=test1,A=YES,P=YES,X=F'`  
  
To grant access to a specific machine for user test1, enter:  
`'/F WMQxCFG CA U=test1,M=mymachine,P=YES,X=F'`
2. Connect the intermediate queue manager to the z/OS queue manager using WebSphere MQ channels and a transmission queue. The connection must be bidirectional.
3. Ensure that you have started all the channels.
4. Create a server connection on the Windows queue manager. The default name for this connection is SYSTEM.BKR.CONFIG, but you can use another value for the WebSphere Message Broker client connection. The Message Broker Toolkit connects to a server connection of this name on the identified queue manager.
5. Start the Configuration Manager on z/OS; see “Starting and stopping a Configuration Manager on z/OS” on page 322.
6. Start the Message Broker Toolkit on Linux on x86 or Windows.
7. Create a new domain connection; see “Creating a domain connection” on page 246.
8. Enter the following connection parameters for the domain connection:  
hostname = (intermediate machine name, for example, localhost)  
port = (listener port for intermediate queue manager, for example, 1414)  
queue manager = (z/OS queue manager, for example, MQ05)
9. Right click **Domain** and select **Connect** to connect the Message Broker Toolkit to the z/OS Configuration Manager.

## WebSphere Message Broker and WebSphere MQ setup verification

Whenever a component (that is a broker, User Name Server, or Configuration Manager) starts, a basic component verification runs automatically. This verification checks:

- Basic WebSphere MQ information
- DB2 information
- Registry information
- Setup verification

If an error is found the component does not start. All output from the verification step is written to the component’s JOBLOG.

You also need to validate that the entire WebSphere Message Broker system you installed is running correctly; that is, there are no errors in the system and that the system is performing as expected. This is especially important where you are installing WebSphere Message Broker for the first time.

You should download and review *WebSphere Message Broker SupportPac IP13*.

This SupportPac provides:

- Tools to help test WebSphere Message Broker flows running on z/OS. These tools provide:
  - Put and get user messages
  - Measurement of the elapsed time
  - CPU time used to process the messages
  - Recommendations on the environment configuration.
- Recommendations on designing flows for evaluation, to reduce the need for applications outside of the WebSphere Message Broker environment.
- WebSphere Message Broker flows, which allow you to compare the throughput you achieve in your environment with that achieved at IBM. Using the tools supplied in *WebSphere Message Broker SupportPac IP13* can give suggestions as to why the results might be different.

Select the following link to access *WebSphere Message Broker SupportPac IP13 - IP13*.

---

## Configuring broker domain components

Create and configure the components that you want on the operating system of your choice.

### Before you start:

Ensure that the following requirements are met:

- Your user ID has the correct authorizations to perform the task. The authorizations are defined in “Security requirements for administrative tasks” on page 683.
- **Windows** On Windows: you have created a new user ID, the service user ID. This ID is specified during component creation and is used to run the component (the Configuration Manager, broker, and User Name Server). For more information about user ID authorization and creation, refer to “Planning for security when you install WebSphere Message Broker” on page 27.
- You have initialized the command environment on distributed systems; see *Setting up a command environment*.

To create, modify, or delete a WebSphere Message Broker component:

1. Select the task for the component and action that you require from the list of tasks in this topic.
2. Select the operating system that you require from within the task.

Alternatively:

1. In the information center’s table of contents, select the top-level container for the component and the action that you require (for example, “Creating a Configuration Manager” on page 188).
2. Expand the container.
3. Select the operating system that you require from the list of topics.

On Windows, you can create, modify, and delete physical components using the Command Assistant wizard.

If you require a default broker domain configuration on Linux or Windows, you can use the Default Configuration wizard. The Default Configuration wizard creates all the components that you need to start exploring WebSphere Message

Broker and run the supplied samples. For more information, see “Using the Default Configuration wizard” on page 213.

When you have created your physical components, you can configure the broker domain either by using the workbench, or programmatically by using the Configuration Manager Proxy Java API.

The following set of tasks describes how to create and configure component databases, and how to create, modify, and delete the physical broker domain components and associated resources by using the command line. For information on using the Configuration Manager Proxy Java API, see Developing applications using the CMP.

This collection of tasks uses specific resource names and user IDs. These names are examples only; you can use your own names. Follow existing naming conventions for WebSphere MQ and other resources.

- “Configuring broker and user databases” on page 107
- “Creating a broker”
- “Adding an execution group to a broker using the command line” on page 187
- “Adding an execution group to a broker on z/OS” on page 188
- “Creating a Configuration Manager” on page 188
- “Enabling a User Name Server” on page 198
- “Creating a User Name Server” on page 198
- “Using the Default Configuration wizard” on page 213
- “Using the Command Assistant wizard” on page 215
- “Verifying components” on page 217
- “Connecting components” on page 217
- “Tuning the broker” on page 219
- “Preparing the environment for WebSphere Adapters nodes” on page 226
- “Modifying a broker” on page 227
- “Modifying a Configuration Manager” on page 233
- “Modifying a User Name Server” on page 237
- “Moving from WebSphere Message Broker on a distributed platform to z/OS” on page 239
- “Deleting a broker” on page 240
- “Deleting an execution group from a broker using the command line” on page 239
- “Deleting a Configuration Manager” on page 242
- “Disabling a User Name Server” on page 243
- “Deleting a User Name Server” on page 244

## Creating a broker

You can create brokers on every platform that is supported by WebSphere Message Broker. The broker runs as a 64-bit application on all platforms except Linux on x86, Windows, and z/OS.

### Before you start:

Complete the following tasks:

- Ensure that your user ID has the correct authorizations to perform the task. Refer to “Security requirements for administrative tasks” on page 683.
- On distributed systems, you must set up your command-line environment before creating a broker, by running the product profile or console; refer to Setting up a command environment.
- On z/OS, you must create and start the queue manager for this broker before you create the component.
- You must create the broker database before you create the broker; the tables in which the broker stores its internal data are created automatically when you create the first broker to use that database. Subsequent brokers that you create specifying the same database and database user ID share these tables; the rows within the tables are qualified by a unique identifier (UUID) for each broker. Although you can install different versions of the product on a single computer, you must ensure that brokers that share a database are at the same version (and are migrated at the same time, if appropriate).

Create a broker by using the command line on the computer on which you have installed the broker component. On Windows and Linux on x86, you can alternatively use the Command Assistant in the Message Broker Toolkit to complete this task.

- You must give the broker a name that is unique within the broker domain. Broker names are case-sensitive on all supported platforms, except Windows. You must also ensure that the broker name is unique on a single computer, if you have created multiple domains on that computer.
- You must associate each broker with its own dedicated WebSphere MQ queue manager.

The mode in which your broker is working, can affect the number of execution groups and message flows that you can deploy, and the types of node that you can use. See “Restrictions that apply in each operation mode” on page 364.

To create a broker, follow the link for the appropriate platform.

- Linux and UNIX
- Windows
- z/OS

## Using WebSphere MQ trusted applications

### Before you start:

You must complete the following tasks:

- Ensure that your user ID is a member of the **mqm** group. On HP-UX and Solaris, specify the user ID **mqm** as the service user ID when you create the broker. On Windows, use any service user ID that is a member of **mqm**. Refer to “Security requirements for administrative tasks” on page 683.
- Review the restrictions that WebSphere MQ places on trusted applications that apply to your environment. See the section “Connection to a queue manager using the MQCONN call” in the *WebSphere MQ Application Programming Guide*, available on the WebSphere MQ library Web page.

You can configure a broker to run as a trusted (fastpath) application on all supported platforms, with the exception of z/OS where the option is not applicable. If the broker is configured as a trusted application, it runs in the same

process as the WebSphere MQ queue manager agent, and all broker processes benefit from an improvement in the overall system performance.

A broker does not run as a trusted application by default; you either create a trusted application using the “**mqsicreatebroker command**” on page 487, or modify an existing broker using the “**mqsichangebroker command**” on page 399.

Configuring a broker as a trusted application does not affect the operation of WebSphere MQ channel agents or listeners. For more information about running these as trusted applications, see the section “Running channels and listeners as trusted applications” in *WebSphere MQ Intercommunication*, available on the WebSphere MQ library Web page.

Take care when deploying user-defined nodes or parsers. Because a trusted application (the broker) runs in the same operating system process as the queue manager, a user-defined node or parser might compromise the integrity of the queue manager. Consider fully the restrictions that apply to your environment and test user-defined nodes and parsers in a non-trusted environment before deploying them in a trusted broker.

You can either configure a new broker to run as a trusted application, or modify an existing broker.

- To configure a new broker, on a command line run the **mqsicreatebroker** command with the **-t** flag, which specifies that the broker is created as a trusted application.

For example, enter the following command to create a broker called **WBRK\_BROKER** as a trusted application:

```
mqsicreatebroker WBRK_BROKER -i wbrkuid -a wbrkpw  
-q WBRK_QM -n WBRKBKDB -u wbrkuid -p wbrkpw -t
```

Refer to “Creating a broker” on page 174 for more detailed information about how to create a broker for your platform.

- To modify an existing broker:
  1. Run the **mqsistop** command on the command line to stop the broker.
  2. Run the **mqsichangebroker** command with the **-t** flag. For example, enter the following command to modify a broker called **WBRK\_BROKER** to run as a trusted application:

```
mqsichangebroker WBRK_BROKER -t
```

You might need to change the service user ID and password if you did not originally create the broker to use an appropriate service user ID.

Refer to “Modifying a broker” on page 227 for more detailed information on how to modify a broker for your platform.

3. Restart the broker using the **mqsistart** command. The broker restarts with fastpath set.

## Creating a broker on Linux and UNIX systems

On Linux and UNIX systems, create brokers on the command line; on Linux on x86, you can also create brokers in the Message Broker Toolkit by using the Command Assistant wizard.

### Before you start:

- Ensure that the broker database has been created. If you are not sure, check with your database administrator (DBA).



- If you want to configure the broker as a WebSphere MQ trusted application, see “Using WebSphere MQ trusted applications” on page 175.
- Read “Considering security for a broker” on page 49.
- Check which operation mode you are licensed to use. If you do not set a mode the automatic default is enterprise mode; see Operation modes.

When you create a broker, if the queue manager does not already exist, the queue manager is automatically created. The broker database must already exist, but the tables in which the broker stores its internal data are created automatically when the first broker to use that database is created. Subsequent brokers that are created using the same database and database user ID will share these tables.

To create a broker:

1. Ensure that the user ID that the broker uses to connect to the broker database is authorized to create tables in the broker database. If you are not sure, check with your database administrator (DBA). The broker connects to the broker database using the user ID and password that you specify in the **-i** and **-u** parameters of the `mqsicreatebroker` command when you create the broker.

For more information, see “Authorizing access to the databases” on page 120.

2. Define the ODBC data source name (DSN) of the broker database to enable the broker to make a connection. Multiple brokers on the same host can use the same ODBC DSN to connect to the same broker database.

For more information, see “Enabling ODBC connections to the databases” on page 124.

3. Ensure that you are logged in using a user ID that has authority to run the `mqsicreatebroker` command.

4. Run the `mqsiprofile` script to set up the command environment for the broker:

```
. install_dir/bin/mqsiprofile
```

You must run this script before you can run any of the WebSphere Message Broker commands.

For more information, see Setting up a command environment.

5. Run the SQL profile that was created when the broker database was created. For example, if the broker database is a DB2 instance, run the `db2profile`. For more information, see “Setting your environment to support 32-bit access to databases” on page 139.

6. Use the `mqsicreatebroker` command to create the broker.

For example, if you want to create a broker called `WBRK_BROKER` on a queue manager called `WBRK_QM` with a broker database that has the data source name `WBRKKBKDB`, enter the following command:

```
mqsicreatebroker WBRK_BROKER -i wbrkuid -a wbrkpw
-q WBRK_QM -n WBRKKBKDB -u dbuid -p dbpw
```

where:

- *wbrkuid* and *wbrkpw* are the user name and password under which the broker runs.
- *dbuid* and *dbpw* are the user name and password that the broker uses to access the broker database and create tables to store its internal data.

If you want to add a User Name Server to your broker domain, create the broker with the additional **-s** and **-j** parameters on the `mqsicreatebroker` command. For more information, see “Enabling a User Name Server” on page 198.

For more information about the command options, see “mqsicreatebroker command” on page 487.

7. To enable nodes that are available in WebSphere Message Broker Version 6.1.0.3 and later, use the `-f` parameter on the `mqsichangebroker` command. For more information, see “mqsichangebroker command” on page 399.

You have created and started a broker.

Next, you must perform the following tasks:

1. Create any other components that you need.
2. Create a WebSphere MQ infrastructure to connect the components together; see “Connecting components” on page 217.
3. Add the broker to the broker domain:
  - To add the broker using the workbench, see “Adding a broker to a broker domain” on page 250.
  - To add the broker using the Configuration Manager Proxy Java API, see Creating domain objects using the Configuration Manager Proxy.

When you have completed these tasks, the broker is ready to use.

## Creating a broker on Windows

On Windows, you can create brokers on the command line or by using the Command Assistant wizard in the workbench.

### Before you start:

- Ensure that the broker database has been created. If you are not sure, check with your database administrator (DBA).
- If you want to configure the broker as a WebSphere MQ trusted application, see “Using WebSphere MQ trusted applications” on page 175.
- Read “Considering security for a broker” on page 49.
- Check which operation mode you are licensed to use. If you do not set a mode, the automatic default is enterprise mode; see Operation modes.

When you create a broker, if the WebSphere MQ queue manager does not already exist, the queue manager is automatically created. The broker database must already exist but the tables in which the broker stores its internal data are created automatically when the first broker to use that database is created. Subsequent brokers that you create specifying the same database and database user ID share these tables.

To create a broker:

1. Ensure that the user ID that the broker uses to connect to the broker database is authorized to create tables in the broker database. If you are not sure, check with your database administrator (DBA). The broker connects to the broker database using the user ID and password that you specify in the `-i` and `-u` parameters of the `mqsicreatebroker` command when you create the broker. For more information, see “Authorizing access to the databases” on page 120.
2. Define the ODBC data source name (DSN) of the broker database to enable the broker to make a connection. Multiple brokers on the same host can use the same ODBC DSN to connect to the same broker database. For more information, see “Enabling ODBC connections to the databases” on page 124.

3. Open a WebSphere Message Broker command prompt for the runtime installation in which you want to create the broker. For more information about initializing the runtime environment, see *Command environment: Windows platforms*.

4. Use the `mqsicreatebroker` command to create the broker.

For example, if you want to create a broker called `WBRK_BROKER` on a queue manager called `WBRK_QM` with a broker database that has the data source name `WBRKKBDB`, enter the following command:

```
mqsicreatebroker WBRK_BROKER -i wbrkuid -a wbrkpw  
-q WBRK_QM -n WBRKKBDB -u dbuid -p dbpw
```

where:

- `wbrkuid` and `wbrkpw` are the user name and password under which the broker runs.
- `dbuid` and `dbpw` are the user name and password that the broker uses to access the broker database and create tables to store its internal data.

If you want to add a User Name Server to your broker domain, create the broker with the additional `-s` and `-j` parameters on the `mqsicreatebroker` command. For more information, see “Enabling a User Name Server” on page 198.

For more information about the command options, see “`mqsicreatebroker` command” on page 487.

5. To enable nodes that are available in WebSphere Message Broker Version 6.1.0.3 and later, use the `-f` parameter on the `mqsichangebroker` command. For more information, see “`mqsichangebroker` command” on page 399.

You have created and started a broker.

Next, you must perform the following tasks:

1. Create any other components that you need.
2. Create a WebSphere MQ infrastructure to connect the components together; see “Connecting components” on page 217.
3. Add the broker to the broker domain:
  - To add the broker using the workbench, see “Adding a broker to a broker domain” on page 250.
  - To add the broker using the Configuration Manager Proxy Java API, see *Creating domain objects using the Configuration Manager Proxy*.

When you have completed these tasks, the broker is ready to use.

## Creating a broker on z/OS

Create the broker component and the other resources on which it depends.

To create your broker, perform the following tasks in order:

1. “Collecting the information required to create a broker” on page 180
2. “Creating the broker PDSE” on page 182
3. “Creating the broker directory on z/OS” on page 182
4. “Customizing the broker component data set” on page 183
5. “Customizing the broker JCL” on page 183
6. “Creating the environment file” on page 184
7. “Priming DB2” on page 185
8. “Creating the broker component” on page 186

9. "Copying the broker started task to the procedures library" on page 186

To enable nodes that are available in WebSphere Message Broker Version 6.1.0.3 and later, use the -f parameter on the mqsiexchangebroker command. For more information, see "mqsiexchangebroker command" on page 399.

**Collecting the information required to create a broker:**

This is part of the larger task of creating a broker on z/OS.

You need to complete the information in each of the tables, at the following links, before continuing:

- "Installation information - broker and User Name Server"
- "DB2 information"
- "Component information - broker" on page 181

*Installation information - broker and User Name Server:*

A list of the JCL variables that you need on your system, together with an example installation value for each one.

Collect the information shown in the Description column and complete the values that you require for your particular system. You can see a complete list of the variables that you can customize in "z/OS JCL variables" on page 645.

Description	JCL variable	Example installation value	Your installation value
Fully qualified name of the product's SBIPPROC data set	N/A	<hlq>.SBIPPROC	
Fully qualified name of the product's SBIPSAMP data set	N/A	<hlq>.SBIPSAMP	
File system directory where the product has been installed	++INSTALL++	/usr/lpp/mqsi	
Locale of environment where commands are run by submitting JCL	++LOCALE++	C	
Time zone of environment where commands are run by submitting JCL	++TIMEZONE++	GMT0BST	
Location of Java installation	++JAVA++	/usr/lpp/java/IBM/J1.5	
WebSphere MQ high-level qualifier	++WMQHLQ++	MQM.V600	
Location of IBM XML Toolkit installation	++XMLTOOLKIT++	/usr/lpp/ixm/IBM/xml4c-5_6	

**Note:** You must include the XML Toolkit Library in the BROKER STEPLIB or the system LINKLIST.

*DB2 information:*

Collect the information explained in the Description column and complete the values you require for your particular system. You can see a complete list of variables that you can customize in "z/OS JCL variables" on page 645.

Description	JCL variable	Example installation value	Your installation value
DB2 high-level qualifier	++DB2HLQ++.	SYS2.DB2.V810	
DB2 run library value	++DB2RUNLIB++	DSN810PK.RUNLIB.LOAD	
DB2 subsystem identifier	++DB2SUBSYSTEM++	DFK4	
DB2 plan name	++DB2DSNACLIPLAN++	DSNACLI	
DB2 program value	++DB2SAMPLEPROGRAM++	DSNTEP2	
DB2 plan value	++DB2SAMPLEPROGRAMPLAN++	DSNTEP81	
DB2 location value of the DB2 subsystem	++DB2LOCATION++	DSN810PK	
DB2 converter	++DB2CONVERSION++	SINGLE	
DB2 user ID for the component and commands	++DB2CURRENTSQLID++	MQPIBRK	
DB2 table owner user ID	++DB2TABLEOWNER++	MQP1BRK	

*Component information - broker:*

Collect the information shown in the Description column and complete the values you require for your particular system. You can see a complete list of variables you can customize in “z/OS JCL variables” on page 645.

Description	JCL variable	Example component value	Your component value
Home directory of the file system for the broker’s user ID	++HOME++	/u/mqp1brk	
Queue Manager associated with the broker	++QUEUEMANAGER++	MQP1	
File system directory where the broker is to exist	++COMPONENTDIRECTORY++	/mqsi/brokers/MQP1BRK	
Broker name	++COMPONENTNAME++	MQP1BRK	
Data set where all JCL relevant to the broker is saved	++COMPONENTDATASET++	TESTDEV.BROKER.MQP1BRK	
Profile name	++COMPONENTPROFILE++	BIPBPROF	<b>BIPBPROF</b>
Name of the Started Task JCL; can be a maximum of 8 characters	++STARTEDTASKNAME++	MQP1BRK	
Name of the broker DB2 database	++DB2DATABASE++	DMQP1BRK	
Name of the broker DB2 storage group	++DB2STORAGEGROUP++	MQP1STOR	
Name of the broker DB2 buffer pool	++DB2BUFFERPOOL++	BP0	
DB2 index buffer pool	++DB2INDEXBP++	BP0	
DB2 LOB table buffer pool	++DB2LOBBP++	BP0	

<code>mqsicreatebroker</code> options	++OPTIONS++	Any additional optional parameters for the <code>mqsicreatebroker</code> command	
---------------------------------------	-------------	----------------------------------------------------------------------------------	--

### Creating the broker PDSE:

This is part of the larger task of creating a broker on z/OS.

Each broker requires a PDSE or a PDS. A PDSE is preferable to a PDS because free space is available without the need to compress the data set.

Create the broker PDSE, for example using option 3.2 on ISPF. The name of the PDSE must be the same as the JCL variable ++COMPONENTDATASET++. Allocate a data set with:

- Eight directory blocks
- 15 tracks (or 1 cylinder) of 3390 DASD with a record format of fixed blocked 80
- A suitable block size (for example 27920)
- A data set type of library

### Creating the broker directory on z/OS:

This is part of the larger task of creating a broker on z/OS.

#### Before you start

Before starting this task, you must have completed “Collecting the information required to create a broker” on page 180 and “Creating the broker PDSE.”

1. Use the TSO command OMVS to get into OMVS.
2. Create the broker root directory using the command:

```
mkdir -p <ComponentDirectory>
```

The name of the directory must be the same as the JCL variable ++COMPONENTDIRECTORY++.

3. Display the contents of the directory, which is currently empty, using the command:

```
ls -dl /var/wmqi/MQP1BRK
```

4. Display the permissions on the directory using the command:

```
ls -al /var/wmqi/MQP1BRK
```

5. Ensure that the user ID of the person doing the customization has a group that matches the group of the directory. Use the following command, where `userid` is the ID you want to check:

```
id <userid>
```

6. Check that the directory has a valid group, and that the group has rwx permissions. If they do not, use the following command to set the group of the directory:

```
chgrp <group> <pathname>
```

For example:

```
chgrp WMQI /var/wmqi/MQP1BRK
```

You must be the owner of the group, or have superuser authority, to use this command.

7. To give the group READ, WRITE, and EXECUTE access, use the following command:

```
chmod g=rwx <pathname>
```

For example:

```
chmod g=rwx /usr/wmqi/MQP1BRK
```

8. To display the amount of space used and available, use the following command:

```
df -P /var/wmqi/MQP1BRK
```

### **Customizing the broker component data set:**

This is part of the larger task of creating a broker on z/OS.

#### **Before you start**

Before starting this task, you must have completed “Collecting the information required to create a broker” on page 180.

Create the broker data set in TSO, identified by ++COMPONENTDATASET++, as instructed below:

1. Copy the members specified in “Broker PDSE members originating in <hlq>.SBIPSAMP” on page 641 from <hlq>.SBIPSAMP to ++COMPONENTDATASET++. Ensure that you copy only the listed files.
2. Copy the members specified in “Broker PDSE members originating in <hlq>.SBIPPROC” on page 641 from <hlq>.SBIPPROC to ++COMPONENTDATASET++. Ensure that you copy only the listed files.
3. Customize the JCL.

### **Customizing the broker JCL:**

This is part of the larger task of creating a broker on z/OS.

#### **Before you start**

Before starting this task, you must have completed “Customizing the broker component data set.”

All JCL has a standard header, comprising:

- A brief description of its function.
- A description where further information can be found, relating to the function of the JCL.
- If appropriate, a topic number.
- The section listing the JCL variables themselves.

Each JCL file defines its own STEPLIB. Some JCL files, for example BIPRELG, might require DB2 defined in the STEPLIB for a broker component. This must be removed from the JCL if the component is either a Configuration Manager or User Name Server, because it is not required.

You can customize the files using an ISPF edit macro that you have to tailor, or you can make changes to each of the PDSE members manually.

BIPEDIT is a REXX program that you can use to help you customize your JCL. After you have customized BIPEDIT you can run this REXX program against the other JCL files to change their JCL variables.

When you update BIPBPROF (the broker profile), the changes are not accessible until you run BIPGEN to copy the profile to the file system and create the ENVFILE. You must do this each time you update BIPBPROF for the changes to take effect.

1. Customize the renamed BIPEDIT file. Use the information you collected in:
  - “Installation information - broker and User Name Server” on page 180
  - “DB2 information” on page 180
  - “Component information - broker” on page 181
2. Activate the renamed BIPEDIT file before you customize any other JCL files. Do this by running the following TSO command:

```
ALTLIB ACTIVATE APPLICATION(EXEC) DA('COMPONENTDATASET')
```

where 'COMPONENTDATASET' is identical to ++COMPONENTDATASET++.

This command is active for the local ISPF session for which it was issued. Note that if you have split screen sessions, the other sessions are not able to use this. If you use ISPF option 6 to issue the command, use ISPF option 3.4 to edit the data set; this enables you to use the edit command.

3. Edit each JCL file. Run the renamed BIPEDIT exec by typing its name on the command line (for example MQ01EDBK). Instead of editing a member, you might want to View it until you have resolved any problems in your REXX program. Alternatively, you can Cancel the Edit session instead of saving it.

You must set a value for all the variables listed in the JCL; if you do not do so, the JCL will not work correctly.

Some JCL files include ++OPTIONS++ for a command; you must replace them with additional optional parameters specific to the command on z/OS, or remove them. It is likely that you will have to do this in addition to running BIPEDIT. If you do not require any additional options, remove ++OPTIONS++ using the following command:

```
"c ++OPTIONS++ ' ' a11"
```

where ' ' represents two single quotation marks.

Save the edit macro and run this macro against all of the members except the edit macro itself.

If the user ID submitting the BIPCBRK command has the appropriate DB2 and WebSphere MQ authorities, you can ignore the optional **mqsicreatebroker** parameters -1, -2, and -3.

If you intend to have different administrators create the DB2 and WebSphere MQ resources, you can consider using one of these optional parameters; see “mqsicreatebroker command” on page 487 for further information.

You need to be aware that another process might be using the current ENVFILE, so you need to consider whether updating the current ENVFILE in the file system will have any impact.

### Creating the environment file:

This is part of the larger task of creating a broker on z/OS.



## Before you start

Before starting this task, you must have completed “Customizing the broker JCL” on page 183

1. Review the BIPBPROF member. If you define parameters for all users, you can configure BIPBPROF to use these parameters.

For example, if the time zone option TZ is set as a system-wide parameter for all users, you can remove it from BIPBPROF.

2. Submit member BIPGEN. Review the job output and make sure the environment file in the output contains the parameters you expect.

If you change BIPBPROF, or system-wide parameters, you must submit BIPGEN again to pick up the changes.

## Priming DB2:

This is part of the larger task of creating a broker on z/OS. The broker uses DB2 tables to hold its internal data. These tables are defined in table spaces, which in turn, are defined within a DB2 database.

Data from tables is accessed through in-memory buffer pools, and typically you have different buffer pools for:

- Different applications
- Indexes
- Tables
- LOB tables

The DASD volumes that can be used by a database are defined using a storage group (STOGROUP). Your DB2 systems administrator will tell you which buffer pools and storage groups to use.

The BIPCRDB job issues commands that require the following authorities:

- CREATESG - to create a storage group
- CREATEDBA - to create the database

Note that you might also need authority to grant use of a buffer pool.

If you have any problems with this job, you can edit and customize member BIPDLDB to delete the database. You can run the BIPCRDB job again when you have resolved the problems.

## Before you start

Before starting this task, you must have completed “Creating the environment file” on page 184.

1. Edit the BIPCRDB job.
2. Review and change the BUFFERPOOL and INDEXBP buffer pools on the CREATE DATABASE statement
3. Change the buffer pool specification on the CREATE LOB TABLESPACE statements to a value suitable for your enterprise.
4. Submit BIPCRDB from your broker PDSE. You need the authority described earlier to submit the DB2 job.

BIPCRDB creates the DB2 StorageGroup, Database, and Table Spaces but does not create any tables or indexes.

The steps in the BIPCRDB job must complete with return code zero.

### **Creating the broker component:**

This is part of the larger task of creating a broker on z/OS.

#### **Before you start**

Before starting this task, you must have completed “Priming DB2” on page 185.

If the user ID submitting the BIPCRBK command has the appropriate DB2 and WebSphere MQ authorities, you can ignore the optional **mqsicreatebroker** parameters -1, -2, and -3. If it is your intention to have different administrators create the DB2 and WebSphere MQ resources, you can consider using one of these optional parameters; see “mqsicreatebroker command” on page 487 for further information.

1. Submit job BIPCRBK with option -1. This job creates the files and directories that are placed in the default storage group. You must run this job first, and to do this you need authority to access the broker root directory.
2. Edit BIPCRBK and submit the job with option -2. This job creates the WebSphere MQ queues. If you do not have the requisite authority, ask your WebSphere MQ system administrator to run the job.
3. Edit BIPCRBK and submit the job with option -3. This job creates the DB2 queues. If you do not have the requisite authority, ask your DB2 system administrator to run the job.
4. Ensure that the jobs have run successfully by:
  - Checking the STDOUT stream in the JOBLOG.
  - Viewing STDOUT for any errors and checking for BIP8071I: Successful command completion.

If you encounter any problems, delete the broker and recreate it using the following procedure. Note that you need the appropriate authority to run the jobs.

1. Edit and configure job BIPDLBK.
2. Run job BIPDLBK with the same option, or options, that caused the problems when you ran the BIPCRBK job.
3. Correct the problems and run the BIPCRBK job again.

### **Copying the broker started task to the procedures library:**

This is part of the larger task of creating a broker on z/OS.

#### **Before you start**

Before starting this task, you must have completed “Creating the broker component.”

1. Ensure that the user ID for the broker started task is defined and that the broker procedure is associated with the user ID. If you are using a security manager, for example RACF, update the started class for your broker. See “Setting up z/OS security” on page 71 and “Summary of required access (z/OS)” on page 634 for more information.
2. Copy the Started Task JCL (BIPBRKP) to the procedures library, for example USER.PROCLIB.

## Adding an execution group to a broker using the command line

When you create a broker, it has a default execution group. If you want additional execution groups, you must create them explicitly.

### Before you start:

You must complete the following tasks:

- “Adding a broker to a broker domain” on page 250

The mode that your broker is working in can affect the number of execution groups that you can use; see “Restrictions that apply in each operation mode” on page 364.

You can use one of three methods to complete this task:

- The workbench
- The `mqsicreateexecutiongroup` command
- The CMP API

This task describes the second method. For information about creating an execution group in the workbench, see “Adding an execution group to a broker in the workbench” on page 255. For information about using the CMP API, see Developing applications that use the Configuration Manager Proxy Java API.

For details about why you might want to create multiple execution groups, see Execution groups.

To add an execution group to a broker using the command line on Linux, UNIX and Windows systems:

1. Open a command prompt that has the environment configured for your current installation.
2. Enter the following command to add the execution group:

```
mqsicreateexecutiongroup -i host -p 1414 -q QMGR -b BROKER -e EG1
```

where

**host** The host name or IP address of the Configuration Manager for the domain on which the broker resides.

**1414** The port on which the queue manager for the Configuration Manager is listening.

**QMGR**

The name of the queue manager for the Configuration Manager.

**BROKER**

The name of the broker.

**EG1**

The name of the execution group that you want to create.

When you've completed this task the execution group has been created in the workbench and you must deploy to the broker to update the brokers configuration.

## Adding an execution group to a broker on z/OS

### Before you start:

You must complete the following tasks:

- “Adding a broker to a broker domain” on page 250

When you create a broker, it has a default execution group. If you want additional execution groups, you must create them explicitly.

For more details about why you might want to create multiple execution groups, see Execution groups.

Instead of employing the Message Broker Toolkit, you can use this task as an alternative method of creating an execution group .

For more details on creating an execution group from the Message Broker Toolkit see “Adding an execution group to a broker in the workbench” on page 255

To add an execution group to a broker on z/OS:

Configure and run the BIPCREG job to create an execution group. Note that you need to create the broker in the Configuration Manager before you run the BIPCREG job.

On completion of this task, you have requested that the Configuration Manager creates an execution group on the broker when it is next deployed.

## Creating a Configuration Manager

You can create a Configuration Manager on every platform that is supported by WebSphere Message Broker.

### Before you start:

Complete the following tasks:

- Ensure that your user ID has the correct authorizations to perform the task. Refer to “Security requirements for administrative tasks” on page 683.
- For platforms other than z/OS, see “Considering security for a Configuration Manager” on page 51 for information about security matters relevant to a Configuration Manager during the configuration task.  
To create a Configuration Manager, follow the link for the appropriate platform.
- On distributed systems, you must set up your command-line environment before creating a Configuration Manager, by running the product profile or console; refer to Setting up a command environment.
- On z/OS, you must create and start the queue manager for this Configuration Manager before you create the component.

Create a Configuration Manager using the command line on the system where the Configuration Manager component is installed. On Windows and Linux on x86, you can alternatively use the Command Assistant in the Message Broker Toolkit to complete this task.

To create a Configuration Manager, follow the link for the appropriate platform.

- AIX
- HP-UX
- Linux
- Solaris
- Windows
- z/OS

## Creating a Configuration Manager on AIX

**AIX**

The following steps show you how to create a Configuration Manager.

1. Run `'. <install_dir>/bin/mqsiprofile'` to source the `mqsiprofile` script and set up the environment for a single targeted runtime. You must do this before you can run any of the WebSphere Message Broker commands.
2. Log on using your user ID. If you use the `su` command to switch user from `root`, enter `su - <user ID>` to run your user profile.
3. Enter the following command to create the Configuration Manager:

```
mqsicreateconfigmgr CMGR01 -i wbrkuid -a wbrkpw -q WBRK_QM
```

If you are using different names or values for any parameter on this command, you *must* replace the appropriate values with your own.

In the command above:

### **CMGR01**

Is the name of the Configuration Manager that you are creating.

### **wbrkuid**

Is the service user ID that is used to run the Configuration Manager.

### **wbrkpw**

Is the password for the service user ID.

### **WBRK\_QM**

Is the name of the WebSphere MQ queue manager that will host the Configuration Manager. This is created if it does not exist.

On completion of this task, you have:

- Created a Configuration Manager.
- Created and started a WebSphere MQ queue manager called `WBRK_QM`.
- Created and set up the WebSphere MQ resources required by the Configuration Manager, and defined these on the queue manager. This includes the default dead-letter queue (DLQ), which is automatically enabled by running the `mqsicreateconfigmgr` command.
- Set up the authorizations that the Configuration Manager requires to access WebSphere MQ resources.

Now that you have created the Configuration Manager, you are ready to:

1. Create and start the WebSphere MQ queue manager channels that are required to connect WebSphere Message Broker components (brokers, User Name Servers, and Configuration Manager). This allows components in your broker domain that are supported by different queue managers to exchange messages and communicate effectively. Refer to “Connecting components” on page 217.
2. Create a broker domain connection using the workbench. Refer to “Creating a domain connection” on page 246.

## Creating a Configuration Manager on HP-UX

**HP-UX** The following steps show you how to create a Configuration Manager.

1. Run '`<install_dir>/bin/mqsiprofile`' to source the `mqsiprofile` script and set up the environment for a single targeted runtime. You must do this before you can run any of the WebSphere Message Broker commands.
2. Log on using your user ID. If you use the `su` command to switch user from root, enter `su - <user ID>` to run your user profile.
3. Enter the following command to create the Configuration Manager:

```
mqsicreateconfigmgr CMGR01 -i wbrkuid -a wbrkpw -q WBRK_QM
```

If you are using different names or values for any parameter on this command, you *must* replace the appropriate values with your own.

In the command above:

### **CMGR01**

Is the name of the Configuration Manager that you are creating.

### **wbrkuid**

Is the service user ID that is used to run the Configuration Manager.

### **wbrkpw**

Is the password for the service user ID.

### **WBRK\_QM**

Is the name of the WebSphere MQ queue manager that will host the Configuration Manager. This is created if it does not exist.

On completion of this task, you have:

- Created a Configuration Manager.
- Created and started a WebSphere MQ queue manager called `WBRK_QM`.
- Created and set up the WebSphere MQ resources required by the Configuration Manager, and defined these on the queue manager. This includes the default dead-letter queue (DLQ), which is automatically enabled by running the `mqsicreateconfigmgr` command.
- Set up the authorizations that the Configuration Manager requires to access WebSphere MQ resources.

Now that you have created the Configuration Manager, you are ready to:

1. Create and start the WebSphere MQ queue manager channels that are required to connect WebSphere Message Broker components (brokers, User Name Servers, and Configuration Manager). This allows components in your broker domain that are supported by different queue managers to exchange messages and communicate effectively. Refer to “Connecting components” on page 217.
2. Create a broker domain connection using the workbench. Refer to “Creating a domain connection” on page 246.

## Creating a Configuration Manager on Linux

Follow the steps detailed in this task for creating a Configuration Manager on Linux platforms.

**Linux** To create a Configuration Manager.

1. Run '`<install_dir>/bin/mqsiprofile`' to source the `mqsiprofile` script and set up the environment for a single targeted runtime. You must do this before you can run any of the WebSphere Message Broker commands.

2. Log on using your user ID. If you use the su command to switch user from *root*, enter `su - <user ID>` to run your user profile.

3. Enter the following command to create the Configuration Manager:

```
mqsicreateconfigmgr CMGR01 -i wbrkuid -a wbrkpw -q WBRK_QM
```

If you are using different names or values for any parameter on this command, you *must* replace the appropriate values with your own.

In the command above:

**CMGR01**

Is the name of the Configuration Manager that you are creating.

**wbrkuid**

Is the service user ID that is used to run the Configuration Manager.

**wbrkpw**

Is the password for the service user ID.

**WBRK\_QM**

Is the name of the WebSphere MQ queue manager that will host the Configuration Manager. This is created if it does not exist.

On completion of this task, you have:

- Created a Configuration Manager.
- Created and started a WebSphere MQ queue manager called WBRK\_QM.
- Created and set up the WebSphere MQ resources required by the Configuration Manager, and defined these on the queue manager. This includes the default dead-letter queue (DLQ), which is automatically enabled by running the **mqsicreateconfigmgr** command.
- Set up the authorizations that the Configuration Manager requires to access WebSphere MQ resources.

Now that you have created the Configuration Manager, you are ready to:

1. Create and start the WebSphere MQ queue manager channels that are required to connect WebSphere Message Broker components (brokers, User Name Servers, and Configuration Manager). This allows components in your broker domain that are supported by different queue managers to exchange messages and communicate effectively. Refer to “Connecting components” on page 217.
2. Create a broker domain connection using the workbench. Refer to “Creating a domain connection” on page 246.

## Creating a Configuration Manager on Solaris

**Solaris** The following steps show you how to create a Configuration Manager.

1. Run `'.<install_dir>/bin/mqsiprofile'` to source the `mqsiprofile` script and set up the environment for a single targeted runtime. You must do this before you can run any of the WebSphere Message Broker commands.

2. Log on using your user ID. If you use the su command to switch user from *root*, enter `su - <user ID>` to run your user profile.

3. Enter the following command to create the Configuration Manager:

```
mqsicreateconfigmgr CMGR01 -i wbrkuid -a wbrkpw -q WBRK_QM
```

If you are using different names or values for any parameter on this command, you *must* replace the appropriate values with your own.

In the command above:

**CMGR01**

Is the name of the Configuration Manager that you are creating.

**wbrkuid**

Is the service user ID that is used to run the Configuration Manager.

**wbrkpw**

Is the password for the service user ID.

**WBRK\_QM**

Is the name of the WebSphere MQ queue manager that will host the Configuration Manager. This is created if it does not exist.

On completion of this task, you have:

- Created a Configuration Manager.
- Created and started a WebSphere MQ queue manager called WBRK\_QM.
- Created and set up the WebSphere MQ resources required by the Configuration Manager, and defined these on the queue manager. This includes the default dead-letter queue (DLQ), which is automatically enabled by running the **mqsicreateconfigmgr** command.
- Set up the authorizations that the Configuration Manager requires to access WebSphere MQ resources.

Now that you have created the Configuration Manager, you are ready to:

1. Create and start the WebSphere MQ queue manager channels that are required to connect WebSphere Message Broker components (brokers, User Name Servers, and Configuration Manager). This allows components in your broker domain that are supported by different queue managers to exchange messages and communicate effectively. Refer to “Connecting components” on page 217.
2. Create a broker domain connection using the workbench. Refer to “Creating a domain connection” on page 246.

## Creating a Configuration Manager on Windows

**Windows** You create a Configuration Manager using the command line. Create the Configuration Manager on the system where the Configuration Manager component is installed.

Use the **mqsicreateconfigmgr** command. The parameters on this command provide the Configuration Manager with all the additional information it requires to be ready for action as soon as it is started .

To create a Configuration Manager:

1. Open a WebSphere Message Broker command prompt for the desired runtime.
2. Enter the following command to create the Configuration Manager:

```
mqsicreateconfigmgr CMGR01 -i wbrkuid -a wbrkpw -q WBRK_QM
```

If you are using different names or values for any parameter on this command, you **must** replace the appropriate values with your own.

In the command above:

**CMGR01**

Is the name of the Configuration Manager that you are creating. This is an optional parameter; if you do not specify it, the default is 'ConfigMgr'.



**wbrkuid**

is the service user ID used to run the Configuration Manager.

This ID must be a member of the `mqm`, `mqbrkrs` and Administrators groups.

**wbrkpw**

Is the password for the service user ID.

**WBRK\_QM**

Is the name of the WebSphere MQ queue manager that will host the Configuration Manager. This is created if it does not exist.

On completion of this task, you have:

- Created a Configuration Manager and added its Windows service to the Services (viewable from the Control Panel).
- Created and started a WebSphere MQ queue manager called `WBRK_QM`.
- Created and set up the WebSphere MQ resources required by the Configuration Manager, and defined these on the queue manager. This includes the default dead-letter queue (DLQ), which is automatically enabled by running the `mqsicreateconfigmgr` command.
- Set up the authorizations that the Configuration Manager requires to access WebSphere MQ resources.
- Defined a service user ID `wbrkuid`, and database password `wbrkpw`.

Now that you have created the Configuration Manager, you are ready to:

1. Create and start the WebSphere MQ queue manager channels that are required to connect WebSphere Message Broker components (brokers, User Name Servers, and Configuration Manager). This allows components in your broker domain that are supported by different queue managers to exchange messages and communicate effectively. Refer to “Connecting components” on page 217.
2. Create a broker domain connection using the workbench. Refer to “Creating a domain connection” on page 246.

## Creating a Configuration Manager on z/OS

Create the Configuration Manager component and the other resources on which it depends.

To create your Configuration Manager, perform the following tasks in order.

1. “Collecting the information required to create a Configuration Manager on z/OS”
2. “Creating the Configuration Manager PDSE” on page 195
3. “Creating the Configuration Manager directory on z/OS” on page 195
4. “Customizing the Configuration Manager component data set” on page 195
5. “Customizing the Configuration Manager JCL” on page 196
6. “Creating the Configuration Manager component” on page 197
7. “Copying the Configuration Manager started task to the procedures library” on page 198

### Collecting the information required to create a Configuration Manager on z/OS:

This is part of the larger task of creating a Configuration Manager on z/OS.

You need to complete the information in each of the following tables before continuing:

- “Installation information - Configuration Manager”
- “Component information - Configuration Manager”

*Installation information - Configuration Manager:*

This topic gives installation details of the Configuration Manager.

Collect the information shown in the Description column and complete the values you require for your particular system. You can see a complete list of variables you can customize in “z/OS JCL variables” on page 645.

Description	JCL variable	Example installation value	Your installation value
Fully qualified name of the product's SBIPPROC dataset	N/A	<hlq>.SBIPPROC	
Fully qualified name of the product's SBIPSAMP dataset	N/A	<hlq>.SBIPSAMP	
File system directory where the product has been installed	++INSTALL++	/usr/lpp/mqsi	
WebSphere MQ high-level qualifier	++WMQHLQ++	MQM.V600	
Location of Java installation	++JAVA++	/usr/lpp/java/IBM/J1.5	
Location of IBM XML Toolkit installation	++XMLTOOLKIT++	/usr/lpp/ixm/IBM/xml4c-5_6	
Locale of environment where commands are run by submitting JCL	++LOCALE++	C	
Time zone of environment where commands are run by submitting JCL	++TIMEZONE++	GMT0BST	
WebSphere MQ file system install directory	++MQPATH++	/usr/lpp/mqm	

*Component information - Configuration Manager:*

Collect the information shown in the Description column and complete the values you require for your particular system. You can see a complete list of variables you can customize in “z/OS JCL variables” on page 645.

Description	JCL variable	Example component value	Your component value
Configuration Manager name	++COMPONENTNAME++	MQP1CMGR	
Configuration Manager's user ID file system home directory	++HOME++	/u/mqp1cmgr	
File system directory where the Configuration Manager is to exist	++COMPONENTDIRECTORY++	/mqsi/configmgrs/MQP1CMGR	
Data set where all JCL relevant to the Configuration Manager is saved	++COMPONENTDATASET++	TESTDEV.CMGR.MQP1CMGR	

Profile name	++COMPONENTPROFILE++	BIPCPRF	<b>BIPCPRF</b>
Name of the Started Task JCL; can be a maximum of 8 characters	++STARTEDTASKNAME++	MQP1CMGR	
<b>mqsicreateconfigmgr</b> options	++OPTIONS++	Any additional optional parameters for the <b>mqsicreateconfigmgr</b> command	

### Creating the Configuration Manager PDSE:

This is part of the larger task of creating a Configuration Manager on z/OS.

Create the Configuration Manager PDSE, for example using option 3.2 on ISPF. The name of the PDSE must be the same as the JCL variable ++COMPONENTDATASET++. Allocate a data set with:

- Eight directory blocks
- 15 tracks (or 1 cylinder) of 3390 DASD with a record format of fixed blocked 80
- A suitable block size (for example 27920)
- A data set type of library

### Creating the Configuration Manager directory on z/OS:

This is part of the larger task of creating a Configuration Manager on z/OS.

#### Before you start

To complete this task, you must have completed the following tasks:

- “Collecting the information required to create a Configuration Manager on z/OS” on page 193
- “Creating the Configuration Manager PDSE”

Create the Configuration Manager directory manually using:

```
mkdir <ComponentDirectory>
```

The name of the directory must be the same as the JCL variable ++COMPONENTDIRECTORY++.

Use the chmod command to set the required authorizations. See “Creating the broker directory on z/OS” on page 182 for more information.

### Customizing the Configuration Manager component data set:

This is part of the larger task of creating a Configuration Manager on z/OS.

#### Before you start

Before starting this task, you must have completed “Collecting the information required to create a Configuration Manager on z/OS” on page 193.

Create the Configuration Manager data set in TSO, identified by ++COMPONENTDATASET++, as instructed below:

1. Copy BIPCPRF from <h1q>.SBIPSAMP to ++COMPONENTDATASET++.

2. Copy the members specified in “Configuration Manager PDSE members originating in <hlq>.SBIPPROC” on page 644 from <hlq>.SBIPPROC to ++COMPONENTDATASET++. Ensure that you copy only the listed files.
3. Customize the JCL.

### Customizing the Configuration Manager JCL:

This is part of the larger task of creating a Configuration Manager on z/OS.

#### Before you start

Before starting this step, you must have completed “Customizing the Configuration Manager component data set” on page 195.

- A brief description of its function.
- A description where further information can be found, relating to the function of the JCL.
- If appropriate, a topic number.
- The section listing the JCL variables themselves.

Each JCL file defines its own STEPLIB. Some JCL files, for example BIPRELG, might require DB2 defined in the STEPLIB for a broker component. This must be removed from the JCL if the component is either a Configuration Manager or User Name Server, because it is not required.

You can customize the files using an ISPF edit macro that you have to tailor, or you can make changes to each of the PDSE members manually.

BIPEDIT is a REXX program that you can use to help you customize your JCL. After you have customized BIPEDIT you can run this REXX program against the other JCL files to change their JCL variables.

When you update BIPCPRUF (the Configuration Manager profile), the changes are not accessible until you run BIPGEN to copy the profile to the file system and create the ENVFILE. You must do this each time you update BIPCPRUF for the changes to take effect, which happens when you restart the Configuration Manager.

Do not set either of the optional pass parameters (-1 or -2) in BIPCRCM at this time because you want to create the registry and the WebSphere MQ queues.

1. Customize the renamed BIPEDIT file. Use the information you collected in:
  - “Installation information - Configuration Manager” on page 194
  - “Component information - Configuration Manager” on page 194
2. Activate the renamed BIPEDIT file before you customize any other JCL files. Do this by running the following TSO command:

```
ALTLIB ACTIVATE APPLICATION(EXEC) DA('COMPONENTDATASET')
```

where 'COMPONENTDATASET' is identical to ++COMPONENTDATASET++.

This command is active for the local ISPF session for which it was issued. Note that if you have split screen sessions, the other sessions are not able to use this. If you use ISPF option 6 to issue the command, use ISPF option 3.4 to edit the data set; this enables you to use the edit command.

3. Edit each JCL file. Run the renamed BIPEDIT exec by typing its name on the command line (for example MQ01EDCM). Instead of editing a member, you might

want to View it until you have resolved any problems in your REXX program. Alternatively, you can Cancel the Edit session instead of saving it.

You must set a value for all the variables listed in the JCL; if you do not do so, the JCL will not work correctly.

Some JCL files include ++OPTIONS++ for a command; you must replace them with additional optional parameters specific to the command on z/OS, or remove them. It is likely that you will have to do this in addition to running BIPEDIT. If you do not require any additional options, remove ++OPTIONS++ using the following command:

```
"c ++OPTIONS++ ' ' a11"
```

where ' ' represents two single quotation marks.

Save the edit macro and run this macro against all of the members except the edit macro itself.

You need to be aware that another process might be using the current ENVFILE, so you need to consider whether updating the current ENVFILE in the file system will have any impact.

### **Creating the Configuration Manager component:**

This is part of the larger task of creating a Configuration Manager on z/OS.

#### **Before you start**

Complete “Customizing the Configuration Manager JCL” on page 196.

If the user ID submitting the BIPCRCM command has the appropriate WebSphere MQ authorities, you can ignore the optional mqsicreateconfigmgr parameters -1 and -2. If you expect that a different administrator will create the WebSphere MQ resources, consider using one of these optional parameters; see the “mqsicreateconfigmgr command” on page 500 for further information.

1. Submit job BIPCRCM with option -1. This job creates the Configuration Manager together with the files and directories that are placed in the registry. To run this job, you must have authority to access the Configuration Manager.
2. Edit BIPCRCM and submit the job with option -2. This job creates the WebSphere MQ queues. If you do not have the requisite authority, ask your WebSphere MQ system administrator to run the job.
3. Ensure that the jobs have run successfully:
  - Check the STDOUT stream in the JOBLOG.
  - View STDOUT for any errors and checking forBIP8071I: Successful command completion.

If you encounter any problems, delete the Configuration Manager and recreate it using the following procedure. You must have the appropriate authority to run the jobs.

1. Edit and configure job BIPDLCM.
2. Run job BIPDLCM with the same option, or options, that caused the problems when you ran the BIPCRCM job.
3. Correct the problems and run the BIPCRCM job again.

The BIPCRCM job can take several minutes to run, depending on the content of the remote database.

### **Copying the Configuration Manager started task to the procedures library:**

This is part of the larger task of creating a Configuration Manager on z/OS.

#### **Before you start**

Before starting this task, you must have completed “Creating the Configuration Manager component” on page 197.

Copy the Started Task JCL (BIPCMGRP) to the procedures library, for example USER.PROCLIB.

## **Enabling a User Name Server**

If you require a User Name Server as a component of your broker domain, you must create the necessary connections between the broker, Configuration Manager, and User Name Server, so that they can communicate effectively.

Specify additional parameters on the **mqsicreatebroker** and **mqsicreateconfigmgr** commands, *before* you create the User Name Server. The following steps show you how to do this.

1. Create a broker with the additional **-s** and **-j** parameters on the **mqsicreatebroker** command. These parameters allow the broker to communicate with the WebSphere MQ queue manager for the User Name Server, and also enable the broker for publish/subscribe access control.  
If you have created the broker without these parameters, modify the broker, defining the **-s** and **-j** parameters. Refer to “Modifying a broker” on page 227.
2. Create a Configuration Manager with the additional **-s** parameter on the **mqsicreateconfigmgr** command. This parameter allows the Configuration Manager to communicate with the WebSphere MQ queue manager for the User Name Server.  
If you have created the Configuration Manager without this parameter, modify the Configuration Manager, defining the **-s** parameter. Refer to “Modifying a Configuration Manager” on page 233.

Now that you have made the required changes to the broker and Configuration Manager, you can create the User Name Server, and thus enable publish/subscribe services.

## **Creating a User Name Server**

You can create a User Name Server on every platform that is supported by WebSphere Message Broker.

#### **Before you start:**

Complete the following tasks:

- Ensure that your user ID has the correct authorizations to perform the task. Refer to “Security requirements for administrative tasks” on page 683.

- Create a broker and Configuration Manager, with the additional parameters on the `mqsicreatebroker` and `mqsicreateconfigmgr` commands to allow them to communicate with the User Name Server. Refer to “Enabling a User Name Server” on page 198.
- On distributed systems, you must set up your command-line environment before creating a User Name Server, by running the product profile or console; refer to Setting up a command environment
- On z/OS, you must create and start the queue manager for this User Name Server before you create the component.

Create a User Name Server using the command line on the system where the User Name Server component is installed. On Windows and Linux on x86, you can alternatively use the Command Assistant in the Message Broker Toolkit to complete this task.

To create a User Name Server, follow the link for the appropriate platform.

- AIX
- HP-UX
- Linux
- Solaris
- Windows
- z/OS

## Creating a User Name Server on AIX

**AIX** The following steps show you how to create a User Name Server.

1. Log on using your user ID. If you use the `su` command to switch user from `root`, enter `su - <user ID>` to run your user profile.
2. Enter the following command to create the User Name Server:

```
mqsicreateusernameserver -i wbrkuid -a wbrkpw -q WBRK_UNQ_QM
```

If you are using different names or values for any parameter on this command, you *must* replace the appropriate values with your own.

In the command above:

### **wbrkuid**

Is the service user ID that is used to run the User Name Server.

### **wbrkpw**

Is the password for the service user ID.

### **WBRK\_UNQ\_QM**

Is the name of the WebSphere MQ queue manager for the User Name Server. This is created if it does not exist.

On completion of this task, you have:

- Created a User Name Server.
- Created a default startup status of manual for the User Name Server.
- Created and started a WebSphere MQ queue manager called `WBRK_QM`.
- Created and set up the WebSphere MQ resources required by the User Name Server, and defined these on the queue manager. This includes the default dead-letter queue (DLQ), which is automatically enabled by running the `mqsicreateusernameserver` command.

Now that you have created the User Name Server, you are ready to create and start the WebSphere MQ queue manager channels that are required to connect WebSphere Message Broker components (brokers, User Name Servers, and Configuration Manager). This allows components in your broker domain that are supported by different queue managers to exchange messages and communicate effectively. Refer to “Connecting components” on page 217.

## Creating a User Name Server on HP-UX

**HP-UX** The following steps show you how to create a User Name Server.

1. Log on using your user ID. If you use the `su` command to switch user from `root`, enter `su - <user ID>` to run your user profile.
2. Enter the following command to create the User Name Server:

```
mqsicreateusernameserver -i wbrkuid -a wbrkpw -q WBRK_UNQ_QM
```

If you are using different names or values for any parameter on this command, you *must* replace the appropriate values with your own.

In the command above:

### **wbrkuid**

Is the service user ID that is used to run the User Name Server.

### **wbrkpw**

Is the password for the service user ID.

### **WBRK\_UNQ\_QM**

Is the name of the WebSphere MQ queue manager for the User Name Server. This is created if it does not exist.

On completion of this task, you have:

- Created a User Name Server.
- Created a default startup status of manual for the User Name Server.
- Created and started a WebSphere MQ queue manager called WBRK\_QM.
- Created and set up the WebSphere MQ resources required by the User Name Server, and defined these on the queue manager. This includes the default dead-letter queue (DLQ), which is automatically enabled by running the `mqsicreateusernameserver` command.

Now that you have created the User Name Server, you are ready to create and start the WebSphere MQ queue manager channels that are required to connect WebSphere Message Broker components (brokers, User Name Servers, and Configuration Manager). This allows components in your broker domain that are supported by different queue managers to exchange messages and communicate effectively. Refer to “Connecting components” on page 217.

## Creating a User Name Server on Linux

Follow the steps detailed in this task for creating a User Name Server on Linux platforms.

1. Log on using your user ID. If you use the `su` command to switch user from `root`, enter `su - <user ID>` to run your user profile.
2. Enter the following command to create the User Name Server:

```
mqsicreateusernameserver -i wbrkuid -a wbrkpw -q WBRK_UNQ_QM
```

If you are using different names or values for any parameter on this command, you *must* replace the appropriate values with your own.



In the command above:

**wbrkuid**

Is the service user ID that is used to run the User Name Server.

**wbrkpw**

Is the password for the service user ID.

**WBRK\_UNQ\_QM**

Is the name of the WebSphere MQ queue manager for the User Name Server. This is created if it does not exist.

On completion of this task, you have:

- Created a User Name Server.
- Created a default startup status of manual for the User Name Server.
- Created and started a WebSphere MQ queue manager called WBRK\_QM.
- Created and set up the WebSphere MQ resources required by the User Name Server, and defined these on the queue manager. This includes the default dead-letter queue (DLQ), which is automatically enabled by running the **mqsicreateusernameserver** command.

Now that you have created the User Name Server, you are ready to create and start the WebSphere MQ queue manager channels that are required to connect WebSphere Message Broker components (brokers, User Name Servers, and Configuration Manager). This allows components in your broker domain that are supported by different queue managers to exchange messages and communicate effectively. Refer to “Connecting components” on page 217.

## Creating a User Name Server on Solaris

**Solaris**

The following steps describe how to create a User Name Server.

1. Log on using your user ID. If you use the su command to switch user from root, enter su - <user ID> to run your user profile.
2. Enter the following command to create the User Name Server:

```
mqsicreateusernameserver -i wbrkuid -a wbrkpw -q WBRK_UNQ_QM
```

If you are using different names or values for any parameter on this command, you *must* replace the appropriate values with your own.

In the command above:

**wbrkuid**

Is the service user ID that is used to run the User Name Server.

**wbrkpw**

Is the password for the service user ID.

**WBRK\_UNQ\_QM**

Is the name of the WebSphere MQ queue manager for the User Name Server. This is created if it does not exist.

On completion of this task, you have:

- Created a User Name Server.
- Created a default startup status of manual for the User Name Server.
- Created and started a WebSphere MQ queue manager called WBRK\_QM.

- Created and set up the WebSphere MQ resources required by the User Name Server, and defined these on the queue manager. This includes the default dead-letter queue (DLQ), which is automatically enabled by running the `mqsicreateusernameserver` command.

Now that you have created the User Name Server, you are ready to create and start the WebSphere MQ queue manager channels that are required to connect WebSphere Message Broker components (brokers, User Name Servers, and Configuration Manager). This allows components in your broker domain that are supported by different queue managers to exchange messages and communicate effectively. Refer to “Connecting components” on page 217.

## Creating a User Name Server on Windows

**Windows** The following steps show you how to create a User Name Server.

1. Open a command prompt.
2. Enter the following command to create the User Name Server:

```
mqsicreateusernameserver -i wbrkuid -a wbrkpw -q WBRK_UNQ_QM
```

If you are using different names or values for any parameter on this command, you *must* replace the appropriate values with your own.

In the command above:

### **wbrkuid**

Is the service user ID that is used to run the User Name Server.

### **wbrkpw**

Is the password for the service user ID.

### **WBRK\_UNQ\_QM**

Is the name of the WebSphere MQ queue manager for the User Name Server. This is created if it does not exist.

On completion of this task, you have:

- Created a User Name Server.
- Created a default startup status of manual for the User Name Server.
- Created and started a WebSphere MQ queue manager called WBRK\_QM.
- Created and set up the WebSphere MQ resources required by the User Name Server, and defined these on the queue manager. This includes the default dead-letter queue (DLQ), which is automatically enabled by running the `mqsicreateusernameserver` command.

Now that you have created the User Name Server, you are ready to create and start the WebSphere MQ queue manager channels that are required to connect WebSphere Message Broker components (brokers, User Name Servers, and Configuration Manager). This allows components in your broker domain that are supported by different queue managers to exchange messages and communicate effectively. Refer to “Connecting components” on page 217.

## Creating a User Name Server on z/OS

Create the User Name Server component and the other resources on which it depends.

To create your User Name Server, perform the following tasks in order.

1. “Collecting the information required to create a User Name Server on z/OS” on page 203

2. "Creating the User Name Server PDSE" on page 204
3. "Creating the User Name Server directory on z/OS" on page 204
4. "Creating the User Name Server runtime environment on z/OS" on page 205
5. "Customizing the User Name Server component data set" on page 205
6. "Customizing the User Name Server JCL" on page 206
7. "Creating the User Name Server component" on page 207
8. "Copying the User Name Server started task to the procedures library" on page 208

### Collecting the information required to create a User Name Server on z/OS:

This is part of the larger task of creating a User Name Server on z/OS.

You need to complete the information in each of the following tables before continuing:

- "Installation information - broker and User Name Server" on page 180
- "Component information - User Name Server"

*Installation information - broker and User Name Server:*

A list of the JCL variables that you need on your system, together with an example installation value for each one.

Collect the information shown in the Description column and complete the values that you require for your particular system. You can see a complete list of the variables that you can customize in "z/OS JCL variables" on page 645.

Description	JCL variable	Example installation value	Your installation value
Fully qualified name of the product's SBIPPROC data set	N/A	<hlq>.SBIPPROC	
Fully qualified name of the product's SBIPSAMP data set	N/A	<hlq>.SBIPSAMP	
File system directory where the product has been installed	++INSTALL++	/usr/lpp/mqsi	
Locale of environment where commands are run by submitting JCL	++LOCALE++	C	
Time zone of environment where commands are run by submitting JCL	++TIMEZONE++	GMT0BST	
Location of Java installation	++JAVA++	/usr/lpp/java/IBM/J1.5	
WebSphere MQ high-level qualifier	++WMQHLQ++	MQM.V600	
Location of IBM XML Toolkit installation	++XMLTOOLKIT++	/usr/lpp/ixm/IBM/xml4c-5_6	

**Note:** You must include the XML Toolkit Library in the BROKER STEPLIB or the system LINKLIST.

*Component information - User Name Server:*

Collect the information shown in the Description column and complete the values you require for your particular system. You can see a complete list of variables you can customize in “z/OS JCL variables” on page 645.

Description	JCL variable	Example component value	Your component value
User Name Server's user ID file system home directory	++HOME++	/u/mqp1uns	
File system directory where the User Name Server is to exist	++COMPONENTDIRECTORY++	/mqsi/uns/MQP1UNS	
Data set where all JCL relevant to the User Name Server is saved	++COMPONENTDATASET++	TESTDEV.UNS.MQP1UNS	
Profile name	++COMPONENTPROFILE++	BIPUPROF	<b>BIPUPROF</b>
Name of the Started Task JCL; can be a maximum of 8 characters	++STARTEDTASKNAME++	MQP1UNS	
<b>mqsicreateusernameserver</b> options	++OPTIONS++	Any additional optional parameters for the <b>mqsicreateusernameserver</b> command	

### Creating the User Name Server PDSE:

This is part of the larger task of creating a User Name Server on z/OS.

Create the User Name Server PDSE, for example using option 3.2 on ISPF. The name of the PDSE must be the same as the JCL variable ++COMPONENTDATASET++. Allocate a data set with:

- Eight directory blocks
- 15 tracks (or 1 cylinder) of 3390 DASD with a record format of fixed blocked 80
- A suitable block size (for example 27920)
- A data set type of library

### Creating the User Name Server directory on z/OS:

This is part of the larger task of creating a User Name Server on z/OS.

#### Before you start

To complete this task, you must have completed the following tasks:

- “Collecting the information required to create a User Name Server on z/OS” on page 203
- “Creating the User Name Server PDSE”

Create the User Name Server directory manually using:

```
mkdir <ComponentDirectory>
```

The name of the directory must be the same as the JCL variable ++COMPONENTDIRECTORY++.

Use the chmod command to set the required authorizations. See “Creating the broker directory on z/OS” on page 182 for more information.

## Creating the User Name Server runtime environment on z/OS:

This is part of the larger task of creating a User Name Server on z/OS

### Before you start

To complete this task, you must have completed the following task:

- “Creating the User Name Server directory on z/OS” on page 204.

Use the **mqsicreateusernameserver** command to create a User Name Server and its runtime environment. The command syntax is:

```
mqsicreateusernameserver -q QueueManagerName [-r RefreshInterval] [-1] [-2]
```

where:

**-q** *QueueManagerName*

is a required parameter and is the name of the WebSphere MQ queue manager associated with your User Name Server, for example MQP1.

**-r** *RefreshInterval*

is an optional parameter and is the interval, specified in seconds, at which the User Name Server interrogates the security subsystem for changes to user or group attributes. If an interval is not specified, the User Name Server default interval of 60 seconds is used.

**-1** is an optional parameter and is the registry pass; this creates only the User Name Server registry.

**-2** is an optional parameter and is the WebSphere MQ pass; this creates only the User Name Server WebSphere MQ queues.

You will be asked to confirm that the parameters you enter are correct. Enter Y to confirm, or N to change the parameters. If you choose to change the parameters, run **mqsicreateusernameserver** again.

Check that you are using the correct installation path, particularly if you are customizing the system after applying maintenance to an alternate set of WebSphere MQ Integrator Broker libraries. If you are applying service to the broker, you might want a different installation path.

The functionality of this command is not the same as on distributed platforms, because no WebSphere MQ-related definitions are performed. You have to follow further steps to complete the User Name Server creation and customization.

### Customizing the User Name Server component data set:

This is part of the larger task of creating a User Name Server on z/OS.

### Before you start

Before starting this task, you must have completed “Collecting the information required to create a User Name Server on z/OS” on page 203.

Create the User Name Server data set in TSO, identified by ++COMPONENTDATASET++, as instructed below:

1. Copy BIPUPROF from <h1q>.SBIPSAMP to ++COMPONENTDATASET++.

2. Copy the members specified in “User Name Server PDSE members originating in <hlq>.SBIPPROC” on page 642 from <hlq>.SBIPPROC to ++COMPONENTDATASET++. Ensure that you copy only the listed files.
3. Customize the JCL.

### Customizing the User Name Server JCL:

This is part of the larger task of creating a User Name Server on z/OS.

#### Before you start

Before starting this task, you must have completed “Customizing the User Name Server component data set” on page 205.

All JCL has a standard header, comprising:

- A brief description of its function.
- A description where further information can be found, relating to the function of the JCL.
- If appropriate, a topic number.
- The section listing the JCL variables themselves.

Each JCL file defines its own STEPLIB. Some JCL files, for example BIPRELG, might require DB2 defined in the STEPLIB for a broker component. This must be removed from the JCL if the component is either a Configuration Manager or User Name Server, because it is not required.

You can customize the files using an ISPF edit macro that you have to tailor, or you can make changes to each of the PDSE members manually.

BIPEDIT is a REXX program that can be used to assist you in customizing your JCL. Once you have customized BIPEDIT you can run this REXX program against the other JCL files to change their JCL variables.

When you update BIPUPROF (the User Name Server profile), the changes are not accessible until you run BIPGEN to copy the profile to the file system and create the ENVFILE. You must do this each time you update BIPUPROF for the changes to take effect.

Do not set either of the optional pass parameters (-1 or -2) in BIPCRUN at this time because you want to create the registry and the WebSphere MQ queues.

1. Customize the renamed BIPEDIT file. Use the information you collected in:
  - “Installation information - broker and User Name Server” on page 180
  - “Component information - User Name Server” on page 203
2. Activate the renamed BIPEDIT file before you customize any other JCL files. Do this by running the following TSO command:

```
ALTLIB ACTIVATE APPLICATION(EXEC) DA('COMPONENTDATASET')
```

where 'COMPONENTDATASET' is identical to ++COMPONENTDATASET++.

This command is active for the local ISPF session for which it was issued. Note that if you have split screen sessions, the other sessions are not able to use this. If you use ISPF option 6 to issue the command, use ISPF option 3.4 to edit the data set; this enables you to use the edit command.

3. Edit each JCL file. Run the renamed BIPEDIT exec by typing its name on the command line (for example MQ01EDUN). Instead of editing a member, you might

want to View it until you have resolved any problems in your REXX program. Alternatively, you can Cancel the Edit session instead of saving it.

You must set a value for all the variables listed in the JCL; if you do not do so, the JCL will not work correctly.

Some JCL files include ++OPTIONS++ for a command, these **must** be replaced with additional optional parameters specific to the command on z/OS, or removed. It is likely that you will have to do this in addition to running BIPEDIT. If you do not require any additional options, remove ++OPTIONS++ using the following command:

```
"c ++OPTIONS++ ' ' a11"
```

where ' ' represents two single quotation marks.

Save the edit macro and run this macro against all the members except the edit macro itself.

You need to be aware that another process might be using the current ENVFILE, so you need to consider whether updating the current ENVFILE in the file system will have any impact.

### **Creating the User Name Server component:**

This is part of the larger task of creating a User Name Server on z/OS.

#### **Before you start**

Before starting this task, you must have completed "Customizing the User Name Server JCL" on page 206.

If the user ID submitting the BIPCRUN command has the appropriate WebSphere MQ authorities, you can ignore the optional **mqsicreateusernameserver** parameters -1 and -2. If it is your intention to have a different administrator create the WebSphere MQ resources, you can consider using one of these optional parameters; see "mqsicreateusernameserver command" on page 514 for further information.

1. Submit job BIPCRUN with option -1. This job creates the User Name Server together with the files and directories which are placed in the registry. You must run this job first, and to do this you need authority to access the User Name Server.
2. Edit BIPCRUN and submit the job with option -2. This job creates the WebSphere MQ queues. If you do not have the requisite authority, ask your WebSphere MQ system administrator to run the job.
3. Ensure that the jobs have run successfully by:
  - Checking the STDOUT stream in the JOBLOG.
  - Viewing STDOUT for any errors and checking for BIP8071I: Successful command completion.

If you encounter any problems, delete the User Name Server and recreate it using the following procedure. Note that you need the appropriate authority to run the jobs.

1. Edit and configure job BIPDLUN.
2. Run job BIPDLUN with the same option, or options, that caused the problems when you ran the BIPCRUN job.
3. Correct the problems and run the BIPCRUN job again.

### **Copying the User Name Server started task to the procedures library:**

This is part of the larger task of creating a User Name Server on z/OS.

#### **Before you start**

Before starting this task, you must have completed “Creating the User Name Server component” on page 207

Copy the Started Task JCL (BIPUNSP) to the procedures library, for example USER.PROCLIB.

### **Connecting the User Name Server to the WebSphere Message Broker network**

This is part of the larger task of creating a User Name Server.

#### **Before you start**

On z/OS, to complete this task, you must have completed the following task:

- “Starting and stopping the User Name Server on z/OS” on page 324.

To enable communication between all the components, define and start WebSphere MQ channels between the following components:

- Configuration Manager, queue manager and the User Name Server queue manager.
- Configuration Manager and the broker queue manager.
- User Name Server queue manager and the broker queue managers.
- All brokers used in publish/subscribe.

You connect a User Name Server to another component in the same way as you connect the Configuration Manager to another component. This task is described in detail in “Connecting components” on page 217.

The Configuration Manager requests user IDs and group information from the User Name Server. The WebSphere Message Broker administrator defines Access Control Lists (ACLs) on the workbench. These ACLs are sent to each broker using WebSphere MQ channels following a deploy.

For further details of connecting your User Name Server to a broker and enabling Publish/Subscribe, refer to “Configuring Publish/Subscribe security.”

#### **Configuring Publish/Subscribe security:**

Refer to the following tasks:

- “Connecting the User Name Server to a broker”
- “Connecting the User Name Server to a broker on z/OS” on page 209
- “Starting the WebSphere MQ channels and listeners” on page 210
- “Enabling applications to use Publish/Subscribe” on page 212
- “Enabling applications to use Publish/Subscribe security on z/OS” on page 212

*Connecting the User Name Server to a broker:*

#### **Before you start:**



To complete this task, you must have completed the following task:

- “Creating a User Name Server” on page 198

You need to make the broker known to the User Name Server. You can do this using either of the following methods.

- Create a broker and specify `s=UserNameServerQueueManagerName` on the **mqsicreatebroker** command.
- Change an existing broker using the **mqsichangebroker** command.

If the User Name Server is not connected to the broker’s queue manager, you need channels between the broker’s queue manager and the User Name Server’s queue manager. You need channels between the Configuration Manager queue manager and the broker’s queue manager to receive message flows and Access Control Lists.

Change the Configuration Manager to use the queue manager name used by the User Name Server. You can use the **mqsicreateconfigmgr** or **mqsichangeconfigmgr** commands to set this value.

On the Topics panel in the workbench, you can view user information sent from the User Name Server.

Check that the User Name Server has registered the Configuration Manager. For more information on implementing topic-based security using the workbench, see “Enabling topic-based security” on page 66.

*Example startup messages:*

When a broker starts for the first time, and a User Name Server queue manager has been specified, and no response has ever been received from the User Name Server, you will receive the following message:

```
+BIP9141W  UserNameServer 0 The component was started.
```

When the User Name Server starts and indicates that it has registered with the broker, you will receive the following message:

```
18:17:18.54 BIP9141W: The component was started.
18:17:18.57 BIP2001I: The WebSphere Message
Broker service has started, process ID 196827.
18:17:24.31 BIP8201I: User Name Server starting with refresh interval 60.
18:17:28.21 BIP8204I: User Name Server is registering a client with UUID
12345678-1234-1234-1234-123456789abc, and cache version 0.
```

*Connecting the User Name Server to a broker on z/OS:*

#### **Before you start:**

To complete this task, you must have completed the following task:

- “Creating a User Name Server on z/OS” on page 202

You need to make the broker known to the User Name Server. You can do this using either of the following methods.

- Create a broker and specify `-s UserNameServerQueueManagerName` on the **mqsicreatebroker** command.
- Change an existing broker using the **mqsichangebroker** command.

If the User Name Server is not connected to the broker's queue manager, you need channels between the broker's queue manager and the User Name Server's queue manager. You need channels between the Configuration Manager queue manager and the broker's queue manager to receive message flows and Access Control Lists.

Check the z/OS console for the message BIP8204, which is issued when the User Name Server has successfully registered a client.

Change the Configuration Manager to use the queue manager name used by the User Name Server on z/OS, or another supported platform. You can use the **mqscreateconfigmgr** or **mqschangeconfigmgr** commands to set this value.

On the Topics panel in the workbench, you can view user information sent from the User Name Server.

Check that the User Name Server has registered the Configuration Manager. Also, check the z/OS console for message BIP8204, which is issued when the User Name Server has successfully registered a client. For more information on implementing topic-based security using the workbench, see "Enabling topic-based security" on page 66.

*Example startup messages:*

When a broker starts for the first time, and a User Name Server queue manager has been specified, and no response has ever been received from the User Name Server, you will receive the following message:

```
+BIP9141W  UserNameServer 0 The component was started.
```

When the User Name Server starts and indicates that it has registered with the broker, you will receive the following message:

```
18:17:18.54 BIP9141W: The component was started.
18:17:18.57 BIP2001I: The WebSphere Message
Broker service has started, process ID 196827.
18:17:24.31 BIP8201I: User Name Server starting with refresh interval 60.
18:17:28.21 BIP8204I: User Name Server is registering a client with UUID
12345678-1234-1234-1234-123456789abc, and cache version 0.
```

*Starting the WebSphere MQ channels and listeners:*

This topic tells you how to start the channels and listeners on Linux, UNIX systems and Windows platforms.

To complete the connection between two components that are supported by different queue managers, start the server channels that you created in "Connecting the User Name Server to a broker on z/OS" on page 209.

Before you can do that, you need to start the WebSphere MQ listeners that are to receive the messages sent out from these channels.

**Note:** All the examples use port 1414, the default WebSphere MQ port. You **must** ensure that you use the port space in the channel definition and that this port is not in use by another application.

*UNIX systems:*

1. To start a listener enter the following command in a shell window:

```
runmqtsr -t tcp -p 1414 -m WBRK_QM
```

2. To start a sender channel, enter the following command in a shell window:

```
runmqchl -c BROKER.CONFIG -m WBRK_QM
```

*LINUX systems:*

- If you are using WebSphere MQ Version 6.0, listeners and channels can be started using the WebSphere MQ Explorer, in the same way as with Windows platforms, as described in “Windows platforms using WebSphere MQ Version 6.”
- If you are using WebSphere MQ Version 5, listeners and channels must be started by entering commands in a shell window, as described in this section.

1. To start a listener, enter the following command in a shell window:

```
runmqtsr -t tcp -p 1414 -m WBRK_QM
```

2. To start a sender channel, enter the following command in a shell window:

```
runmqchl -c BROKER.CONFIG -m WBRK_QM
```

*Windows platforms using WebSphere MQ Version 6:*

If you are using WebSphere MQ Version 6.0, start listeners and channels using WebSphere MQ Explorer.

1. To start a listener as a background task:
  - a. Click **Start** → **Programs** → **IBM WebSphere MQ** → **WebSphere MQ Explorer**.
  - b. In the left pane expand the queue manager, expand **Advanced**, and select **Listeners**
  - c. Right-click **Listeners** → **New** → **TCP Listener...**, enter a name for the listener, then click **Finish**. A new listener is created with transport type TCP and (default) port number 1414.
  - d. Right-click the new listener and click **Start** to start it.
2. To start the sender channels as background tasks using WebSphere MQ Explorer expand the queue manager, expand **Advanced**, and select **Channels**.
3. If you prefer, you can start listeners and channels as foreground tasks:
  - a. To start a listener, enter the following command on the command line:

```
runmqtsr -t tcp -p 1414 -m WBRK_CONFIG_QM
```
  - b. To start channels, enter the following commands:

```
runmqchl -m WBRK_UNCONFIG_QM -c WBRK_UNCONFIG_BR
```

```
runmqchl -m WBRK_CONFIG_QM -c WBRK_CONFIG_BR
```

*Windows platforms using WebSphere MQ Version 5:*

If you are using WebSphere MQ Version 5, start the listeners using WebSphere MQ Services, and start channels by entering commands on the command line.

1. To start a listener as a background task:
  - a. Click **Start** → **Programs** → **IBM WebSphere MQ** → **WebSphere MQ Services**.
  - b. Expand the left pane and select the queue manager WBRK\_CONFIG\_QM to display its services in the right pane.
  - c. If the listener is displayed, right-click and select **All Tasks** → **Start** to start the listener.
  - d. If the listener is not displayed:

- 1) Right-click the queue manager and select **New** → **Listener**. A new listener is created with (default) transport type TCP and (default) port number 1414.
  - 2) Right-click the new listener and select **Start** to start it.
2. If you prefer, you can start a listener as a foreground task. Enter the following command on the command line:
 

```
runmqtsr -t tcp -p 1414 -m WBRK_CONFIG_QM
```
  3. To start the channels as foreground tasks, enter the following commands:
 

```
runmqchl -m WBRK_UNQ_QM -c WBRK_UNQ_TO_BR
runmqchl -m WBRK_QM -c WBRK_BR_TO_UN
```

*Enabling applications to use Publish/Subscribe:*

If WebSphere MQ queue security is enabled, users who want to subscribe need UPDATE authority to put to the SYSTEM.BROKER.CONTROL.QUEUE on the User Name Server's queue manager. Publish/Subscribe users also need UPDATE authority to allow them to use input and output queues in message flow nodes.

*Enabling applications to use Publish/Subscribe security on z/OS:*

This topic lists the steps that you need to complete to enable applications to use Publish/Subscribe security on z/OS.

- For the User Name Server on z/OS to extract user ID and group information from the External Security Manager (ESM) database, user IDs and groups must have an OMVS segment defined.
- To use publish/subscribe security, you need to have an ESM group defined called **mqbrkrs**. This group needs to have an OMVS segment defined. The user ID of the started task needs to be in this group.
- If you are using RACF, use the LG group OMVS command. For example:
 

```
LG MQBRKRS OMVS
```

*User IDs:*

- If you have suitable authorization, you can use the following RACF command to display OMVS information about a user:
 

```
LU id OMVS
```
- To give a user ID an OMVS segment, you can use the following RACF command if you have suitable authorization:
 

```
ALTUSER id OMVS(UID(xxx))
```

*Groups:*

- You can use the following RACF command to display OMVS information about a group if you have suitable authorization:
 

```
LG group OMVS
```
- To give a group an OMVS segment you can use the following RACF command if you have suitable authorization:
 

```
ALTGROUP id OMVS(GID(yyy))
```

Refer to the *OS/390 Security Server (RACF) Security Administrator's Guide* (or the appropriate documentation for an external security manager installed on the system) for details.

If an application tries to use publish/subscribe with security, and the user ID is not found by the User Name Server (either because the user ID does not exist or the user ID does not have an OMVS segment), the message BIP7017W is written to the SYSLOG.

If an application tries to use publish/subscribe with security, and the user ID is found by the User Name Server, but an access control list denies access to the topic, either of the following messages are written to SYSLOG:

BIP7025 User does not have permission to subscribe to a topic.  
BIP7026 User does not have publish permission on a topic.

## Using the Default Configuration wizard

Use the Default Configuration wizard to set up and test a basic broker domain configuration.

### Before you run the Default Configuration wizard:

- The Message Broker Toolkit and all runtime components must be installed on this system. You access the Default Configuration wizard through the Message Broker Toolkit, which is therefore available on Linux on x86 and Windows only.
- **Windows** You must have Administrator privileges on Windows, and your user ID must be a local ID (not a domain ID).
- A database must be available, and your user ID must be authorized to create databases:
  - **Linux** On Linux on x86, install DB2 Enterprise Server.
  - **Windows** On Windows, install either DB2 Enterprise Server or the ODBC Drivers for Apache Derby (to use the embedded Derby database).

Using the Default Configuration wizard, you set up a basic configuration on your local machine so that you can explore the product and run the samples that are supplied in the Samples Gallery. You can also remove the default configuration, if it already exists, that has been set up on your logon account.

- “Creating the default configuration”
- “Removing the default configuration” on page 214

The default configuration is described in more detail in the Installation Guide, which also describes how you can verify your installation using the sample programs.

## Creating the default configuration

The wizard creates the following resources:

- A broker domain.
- A sample broker.
- A database to be used by the broker.

On Windows, the wizard defaults to whatever database manager is available.

The database that has been used is recorded on the Default Configuration Summary page. Details of the database manager are also written to the wizard’s log file.

- A WebSphere MQ queue manager.
1. On Windows, the Default Configuration wizard starts automatically at the end of the installation of WebSphere Message Broker. You can launch the wizard manually from the Message Broker Toolkit Welcome page, which is displayed

the first time you launch the Message Broker Toolkit. If the Welcome page is not displayed, open it in the Message Broker Toolkit by clicking **Help** → **Welcome**.

2. The Welcome page of the wizard describes what is about to happen. Enter your password to log on and click **Next** to continue. You can click **Cancel** at any time to cancel the creation of the default configuration.

The wizard checks that the default configuration is not already installed.

3. The Default Configuration Summary page lists the resources that will be created. The information field in this page confirms whether Derby has been set as the default broker database on Windows. It also suggests an alternative option of installing and configuring an enterprise database server instead. Click **Next** to continue.

4. The Default Configuration Progress page lists the background configuration actions as they occur, and indicates successful completion. You can cancel the creation of the default configuration at this point by clicking **Cancel**. The wizard backs out all configuration tasks and then displays the progress and success of the process. The configuration process is written to a log file in the Eclipse workspace directory:

- **Linux** `user_home_directory/IBM/wmbt/610/workspace/.metadata/DefaultConfigurationWizard.log`
- **Windows** `user_home_directory\eclipse\workspace\.metadata\DefaultConfigurationWizard.log`

If the default configuration is set up successfully, you see an appropriate message. If errors occur, you see an appropriate message and the wizard backs out all configuration tasks. If an error occurs during the back out process, the wizard displays a list of resources that you must remove manually.

5. You can use the samples to verify the default configuration. **Launch Samples Wizard when finished** is selected by default. Click **Finish** to launch the Prepare the Samples wizard.

If you do not need to launch the Prepare the Samples wizard, clear **Launch Samples Wizard when finished** before clicking **Finish**.

If you are viewing this information from within the Message Broker Toolkit, you can launch the samples manually by clicking on the following sample:

- Pager samples

Alternatively, click **Help** → **Samples Gallery**, and expand **Application samples** → **Message Broker - Getting Started samples**.

You can view samples only when you use the information center that is integrated with the Message Broker Toolkit.

## Removing the default configuration

1. Launch the Default Configuration wizard from the Message Broker Toolkit Welcome page, which is displayed after you launch the Message Broker Toolkit. If the Welcome page is not displayed, open it in the Message Broker Toolkit by clicking **Help** → **Welcome**.

2. The Welcome page of the wizard describes what is about to happen. Enter your password to log on and click **Next** to continue. You can click **Cancel** at any time to cancel the removal of the default configuration.

The wizard checks that the default configuration is already installed.

3. The Remove Default Configuration Summary page lists the resources that will be removed. Click **Next** to continue.

4. The Default Configuration Progress page lists the removal actions as they occur, and indicates successful completion. The removal process is written to a log file in the Eclipse workspace directory:
  - **Linux** `user_home_directory/IBM/wmbt/610/workspace/.metadata/DefaultConfigurationWizard.log`
  - **Windows** `user_home_directory\eclipse\workspace\.metadata\DefaultConfigurationWizard.log`
5. A message confirms that the default configuration has been removed successfully. Click **Finish** to close the wizard.

If errors occur during the removal of the default configuration, the wizard displays the errors and also writes them to the log file. Follow the advice in the log and try each step again.

If you experience problems using the wizard to remove the default configuration, you might need to remove the default configuration manually. For more information see [You experience problems with the default configuration](#).

## Using the Command Assistant wizard

### Before you start:

- The Message Broker Toolkit and all runtime components must be installed on this system. The Command Assistant wizard is available through the toolkit, and is available on Windows only.
- You must have administration privileges.

Use the Command Assistant wizard to create, modify, and delete the following physical runtime components:

- Brokers
- Configuration Managers
- User Name Servers

Using the wizard, you access the equivalent command line command through a graphical interface:

- “`mqsicreatebroker` command” on page 487, “`mqsicreateconfigmgr` command” on page 500, and “`mqsicreateusername-server` command” on page 514
- “`mqsichangebroker` command” on page 399, “`mqsichangeconfigmgr` command” on page 410, and “`mqsichangeusername-server` command” on page 474
- “`mqsdeletebroker` command” on page 529, “`mqsdeleteconfigmgr` command” on page 531, and “`mqsdeleteusername-server` command” on page 540

The wizard displays a series of panels that lead you through the task that you want to complete. The wizard provides help, in the banner at the top of each panel, that indicates what actions you should take to complete the panel and continue. Not every optional parameter on each of these commands is supported through the wizard; if you are using some of the more advanced features (for example, setting or modifying LDAP directory access for a broker), you must use the command line interface.

Use the buttons displayed at the bottom of each panel to move **Back** to the previous panel, to move to the **Next** panel, to **Finish** working with the wizard, or to **Cancel** the current action and end the wizard.

1. Switch to the Broker Application Development perspective or the Broker Administration perspective.

2. Select **File** → **New** → **Other**. The **New** dialog opens.
3. Select **Command Assistant Wizard** within the **Broker Administration - Getting Started** category and click **Next**. The wizard opens and displays its first panel.
4. Select the type of component that you want to work with. The wizard checks which components have been installed on this system. You must select a value from the available list; you cannot enter a different value.
5. Navigate to the **Name** input field. If the wizard has found any existing components of the type that you entered, it shows these in this field. If no components of this type exist, or you want to create a new component, enter a new unique name in this field, following the naming restrictions enforced by the product and any naming conventions that are in use in your environment. The name of a resource is case insensitive. If a resource of the same name exists, but with characters in a different case to those that you typed into this field, the name that you typed is overwritten with the existing name.
6. Navigate to the **Action** input field and choose the action that you want to complete. The wizard prevents you from entering an invalid action for the resource that you have entered in the **Name** field. For example, if you have entered a name that the wizard has not found on this system, you can choose only to create a new resource. If the resource already exists, you can choose to modify it or delete it.
7. If you have more than one installation of the product on this system, select the correct value in the **Location** field. This field displays the home directory of the installation identified by the wizard:
  - If only one installation exists on this system, the directory is displayed and the field is read-only.
  - If you have specified an existing, uniquely named, resource in the **Name** field, the wizard displays the location of the installation that is associated with that resource, and the field is read-only.
  - If more than one installation exists, and might be the target for your request, select the correct location in this field.
8. Click **Next**. The wizard displays the next panel, the content of which depends on your choices so far.

Use the help that is displayed by the wizard on each panel, and navigate through the entry fields, selecting or entering text where appropriate.

If you enter a password, the characters are displayed as asterisk characters in the entry field to increase security.
9. When you have completed the entry field on the panel, click **Next**. The wizard displays a summary that shows you the commands that will be invoked, and any additional actions that will be taken.
10. Check the information in the summary; if it is correct, click **Next**.

If you want to change anything, click **Back** to return to a previous panel and change your input.
11. The wizard starts processing your request. If the action succeeds, the wizard displays messages in the summary panel.

If an action fails, the wizard reports the error in a message dialog. If you know what is causing the error, and can fix it, correct the error and click **Yes**. The wizard reissues the command.

If you do not know what is causing the error, or you cannot fix it, click **No**. The wizard backs out any actions that have already completed and returns your system to its initial state.



12. Click **Finish** to end the wizard, or click **Next** to return to the first page and select another task to complete.

## Verifying components

To verify that the WebSphere Message Broker components that you have created exist, use the **mqsilist** command. On the command line type:

```
mqsilist
```

Note, that on z/OS it is not possible to display all the components.

If you do not specify any parameters when you issue this command, a list of components and queue manager names is displayed for each component created on this system, in the form:

```
BIP8099I: Broker: brokername - queuemanagename  
BIP8099I: UserNameServer: UserNameServer - queuemanagename  
BIP8099I: ConfigMgr: configmgrname - queuemanagename  
BIP8071I: Successful command completion
```

## Connecting components

Create connections between the Configuration Manager, the brokers, and the User Name Server.

### Before you start:

Complete the following tasks:

- “Creating a Configuration Manager” on page 188
- “Creating a broker” on page 174
- “Creating a User Name Server” on page 198

The following steps describe how to make connections between the Configuration Manager, the brokers, and the User Name Server.

If the components in your broker domain are supported by different queue managers, you must establish WebSphere MQ connections between those queue managers to enable messages to be exchanged. Every broker must be able to exchange messages with the User Name Server that provides user name services for the broker.

If your broker domain components all run on the same system, and use a single queue manager, you do not need to create any WebSphere MQ connections between those components. If you have more than one broker, each broker must have its own queue manager; brokers cannot share a queue manager.

To achieve the required connection, complete the following steps. All of the steps are illustrated with MQSC examples. You can use any appropriate method for defining these resources. These examples assume that the queue managers are called COMP1 and COMP2.

In the following steps the value of 104857600 for `maxmsgl` is an example. Check the appropriate WebSphere MQ documentation to confirm the value for `maxmsgl` that you can use on your platforms.

You must set the `maxmsgl` attribute only on the transmission queue that sends messages from the queue manager associated with the Configuration Manager to the queue manager associated with the broker.

1. Define a transmission queue on each component's queue manager. These transmission queues collect messages ready for transmission between components. The transmission queue must have the same name as the queue manager to which it transmits messages (that is `COMP1` and `COMP2` for this example). Set the `maxmsgl` attribute to its maximum value.

For example, on queue manager `COMP1`:

```
define qlocal('COMP2') usage(XMITQ) maxmsgl (104857600) replace
```

On queue manager `COMP2`:

```
define qlocal('COMP1') usage(XMITQ) replace
```

2. Define the channels for the connection. Use sender-receiver pairs of channels for all two-way communications between queue managers that host WebSphere Message Broker components.

- a. Define the sender channel on the first component's queue manager (Sender(3)). This sender channel transports messages sent by the first component to the second component.

Allocate connection names according to your WebSphere MQ network conventions, and specify the protocol that you are using for this connection and the port on which the listener is listening.

For example, on queue manager `COMP1`:

```
define channel('COMP1_TO_COMP2') chltype(sdr) trdtype(tcp)
conname('WBRKSYS1(1415)') xmitq('COMP2')
maxmsgl (104857600) replace
```

where the command parameters have the following meanings:

- `channel` and `chltype` define the name and type of the channel
- `trdtype` defines the transmission protocol
- `conname` defines the host name of the target computer and the port number that the computer is listening on
- `xmitq` names the transmission queue for the channel
- `maxmsgl` defines the maximum supported message length
- `replace` specifies that any existing definition of the named channel is replaced

For more information about WebSphere MQ commands and parameters, see the *Script (MQSC) Command Reference* section of the WebSphere MQ Version 7 information center online or WebSphere MQ Version 6 information center online.

- b. Define a receiver channel on the first component's queue manager (Receiver(2)). Messages sent by the second component to the first component are received by this channel.

This receiver channel must have the same name as the sender channel on `COMP2`, defined in Step 2c. For example, on queue manager `COMP1`:

```
define channel('COMP2_TO_COMP1') chltype(rcvr) trdtype(tcp)
maxmsgl (104857600) replace
```

- c. Define the sender channel on the second component's queue manager (Sender(1)). This sender channel transports messages sent by the second component to the first component.

Allocate connection names according to your WebSphere MQ network conventions, and you must specify the protocol you are using for this connection.

For example, on queue manager COMP2:

```
define channel('COMP2_TO_COMP1') chltype(sdr) trptype(tcp)
conname('WBRKSYS1(1414)') xmitq('COMP1')
maxmsgl (104857600) replace
```

- d. Define a receiver channel on the second component's queue manager (Receiver(4)). Messages sent by the first component to the second component are received by this receiver channel.

This receiver channel must have the same name as the sender channel on COMP2, defined in Step 2a. For example, on queue manager COMP2:

```
define channel('COMP1_TO_COMP2') chltype(rcvr) trptype(tcp)
maxmsgl (104857600) replace
```

3. Create and start a listener for each protocol in use. Create the listener in WebSphere MQ Explorer, or use the DEFINE LISTENER MQSC command. For more information see "Starting the WebSphere MQ channels and listeners" on page 210.
4. Start the sender channels (1) and (3) on the respective queue managers. You can set up channel initiators for these channels. Setting up receiver channels reduces overheads by allowing the channels to stop when there is no message traffic, but ensures automatic startup when there are messages to transport.

You can set up a single receiver channel on the queue manager that hosts the Configuration Manager to support all sender channels created for the brokers. Setting up a single receiver channel requires a single definition on the Configuration Manager and a single sender definition on each broker, the sender definitions on each broker must have the same name on each broker. You can also use this receiver channel on the Configuration Manager to support communications from the User Name Server.

All WebSphere MQ connections between WebSphere Message Broker components, and between clients and WebSphere Message Broker components, can be set up using any of the communications protocols supported by WebSphere MQ (TCP/IP and SNA on all operating systems; also, NetBIOS and SPX on Windows).

## Tuning the broker

### Before you start:

Ensure that the following requirements are met:

- Your user ID has the correct authorizations to perform the task. Refer to "Security requirements for administrative tasks" on page 683.

This topic lists the various tasks that enable you to tune different aspects of the broker's performance; select the tasks that are relevant to your enterprise:

- "Setting the JVM heap size"
- "Increasing the stack size on Windows, Linux, and UNIX systems" on page 220
- "Increasing the stack size on z/OS" on page 220
- "Publish/subscribe performance tuning" on page 221
- "Setting configuration timeouts" on page 223

### Setting the JVM heap size

When you start an execution group, it creates a Java virtual machine (JVM) for executing a Java user-defined node.

You can pass parameters to the JVM to set the minimum and maximum heap sizes. To give more capacity to a message flow that is going to process large messages, reduce the minimum JVM heap size to allow the main memory heap to occupy more address space.

You do not need to increase the maximum heap size unless you use Java intensively with, for example, user-defined nodes.

Use caution when you set the maximum heap size because the Java Runtime Environment takes the values for its initial, maximum, and current heap sizes to calculate how frequently it drives garbage collection. A large maximum heap size drives garbage collection less frequently. If garbage collection is driven less frequently, the DataFlowEngine heap size continues to grow.

Use the information on “JVM parameter values” on page 458 within the `mqsichangeproperties` command to set the heap size you require.

## Increasing the stack size on Windows, Linux, and UNIX systems

Increase the stack size on Windows, Linux, and UNIX systems by setting the `MQSI_THREAD_STACK_SIZE` environment variable to an appropriate value.

When you restart brokers that are running on the system, they use the new value.

The value of `MQSI_THREAD_STACK_SIZE` that you set is used for every thread that is created within a DataFlowEngine process. If the execution group has a large number of message flows assigned to it, and you set a large value for `MQSI_THREAD_STACK_SIZE`, the DataFlowEngine process needs a large amount of storage for the stack.

## Increasing the stack size on z/OS

Change the stack size on z/OS by altering or adding the `LE_CEE_RUNOPTS` environment variable in the component profile.

Broker components on z/OS are compiled using the XPLINKage (extra performance linkage), which adds optimization to the runtime code. However, if the initial stack size is not large enough, stack extents are used. 128 KB is used in each extent. Ensure that you choose a large enough downward stack size because the performance of XPLINK can be adversely affected when stack extents are used.

To determine suitable stack sizes, you can use the Language Environment® Report Storage tool.

To use this tool, use the `RPTSTG` option with the `_CEE_RUNOPTS` environment variable to test a message flow. Set this option in the component profile (BIPBPROF for a broker) during the development and test of message flows that are intended for production; for example:

```
export _CEE_RUNOPTS=XPLINK\ (ON\),RPTSTG(ON)
```

You can then override the default values for the stack sizes on z/OS by altering or adding the `LE_CEE_RUNOPTS` environment variable in the component profile.

To update the component profile, take the following steps:

1. Stop the component.
2. Make the necessary changes to the profile.

3. Submit BIPGEN to re-create the ENVFILE.
4. Restart the component.

For example, you can change the default values of 50 K and 512 K in the following line:

```
export _CEE_RUNOPTS=XPLINK(ON),THREADSTACK(ON,50K,15K,ANYWHERE,KEEP,512K,128K)
```

When you use the **RPTSTG** option, it increases the time that an application takes to run, so use it as an aid to the development of message flows only, and not in your final production environment. When you have determined the correct stack sizes needed, remove this option from the **\_CEE\_RUNOPTS** environment variable.

XPLINK stacks grow downward in virtual storage while the standard linkage grows upward. To avoid a performance impact caused by switching between downward stack space and upward stack space during run time, compile user-defined extensions using the XPLINK option where possible. If your message flow uses user-defined extensions that have been compiled with the standard linkage convention, set a suitable value for the upward stack size.

### **Publish/subscribe performance tuning**

Tune your brokers, and the databases that they use, to handle a large number of subscriptions.

WebSphere Message Broker supports up to 25 000 subscriptions on a broker. The following sections describe some of the actions that you can take to tune your brokers and databases to handle these subscriptions efficiently.

#### **Brokers**

Change the broker property `jvmMaxHeapSize`. The default value for this property is 256 MB.

The value of this property must be large enough for all of the topics in the subscriptions. For example, if you have 10 000 subscriptions, each for a topic that uses 20 KB of storage, set the value of the `jvmMaxHeapSize` property to at least 200 MB.

Use the “JVM parameter values” on page 458 information within the `mqschangeproperties` command to increase the value of the `jvmMaxHeapSize` property to 512 MB:

```
mqschangeproperties brokername -o ComIbmJVMManager -n jvmMaxHeapSize -v 536870912
```

where `brokername` is the name of your broker.

The Configuration Manager uses the list of subscriptions which might be stored on your local hard disk:

- Windows On Windows systems, the directory is created at `%ALLUSERSPROFILE%\Application Data\IBM\MQSI` where `%ALLUSERSPROFILE%` is the environment variable that defines the system working directory. The default directory depends on the operating system:
  - On Windows XP and Windows Server 2003: `C:\Documents and Settings\All Users\Application Data\IBM\MQSI`
  - On Windows Vista and Windows Server 2008: `C:\ProgramData\IBM\MQSI`

The actual value might be different on your computer.

- **Linux** **UNIX** On Linux and UNIX systems, the directory is created at `/var/mqsi`.

The directory must be at least twice the size of the topic space; that is, for 10 000 subscriptions that each use 20 KB, the size of the directory must be at least 512 MB.

## Databases

The broker stores its subscription information in its database. You might need to tune your database to handle the maximum 25 000 subscriptions.

- **Windows** **UNIX** **Linux** Two limits are significant when using DB2. Both limits affect the ability to successfully restart the broker.
  - The first limit occurs when there are approximately 1000 subscriptions. The DB2 parameter **APP\_CTL\_HEAP\_SZ** must be set to a high value to enable the broker to query its database at startup; a value of 8192 is typically large enough for 1000 subscriptions. You can change the value by starting a db2 command prompt, and issuing the command `db2 update db cfg using APP_CTL_HEAP_SZ 8192`. You might then need to end any connections to the database.
  - The second limit occurs at approximately 8000 subscriptions. When the broker attempts to start, the following error might be reported in the system log:
 

```
Database error: SQL State '54028';
Native Error Code '-429';
Error Text '[IBM][CLI Driver][DB2/LINUX] SQL0429N The maximum number of concurrent LOB locators has been exceeded.  SQLSTATE=54028 '.
```

This error is caused by a limit to the number of LOB handles in DB2. To overcome this problem, you require a patch in DB2; you need to edit file `db2cli.ini`.

**Linux** **UNIX** On Linux and UNIX systems, this file is located in `{DB2InstanceHome}/sqllib/cfg/db2cli.ini`.

**Windows** On Windows 32-bit editions, this file is located in `C:\Program Files\IBM\SQLLIB\db2cli.ini`.

**Windows** On Windows 64-bit editions, this file is located in `C:\Program Files(x86)\IBM\SQLLIB\db2cli.ini`.

Add the following lines to the file:

```
[{Database name}]
PATCH2=50
LobCacheSize=1048576
```

The `PATCH` line instructs DB2 to free up LOB locators after it has used them, and the `LobCacheSize` parameter adjusts the total memory that is available to LOB locators; in this case 1 GB. You might then need to restart the DB2 instance.

- **z/OS** On z/OS, if you are using DB2 Version 8, a database limit occurs at approximately 15 000 subscriptions. To overcome this, modify the value of **NUMLKUS**. A value of 20000 can support 25 000 subscriptions.

## Collectives

When a subscription is made to a broker that is a member of a collective, or that is directly linked to another broker, all brokers that are connected to the broker create

a proxy subscription. The total number of proxy subscriptions and direct subscriptions must be less than 25 000 for each of your brokers. This limit has implications on how you plan your broker topology.

For example, consider a collective of N brokers.

To maximize connectivity, you connect an instance of a client to each broker with each of those instances subscribing to the same unique topic. Therefore, for N brokers, each unique topic has N clients.

In this situation, each broker has a subscription to each client that is connected to it, and also a proxy subscription to each of the other brokers in the collective.

Therefore, each broker has N subscriptions for every unique topic (one for the client that is directly connected, and N-1 for the proxy subscriptions to all of the other brokers). If there are T unique topics, ensure that  $N * T \leq 25\,000$ . That is, if you have 1000 unique topics, restrict the size of your collective to a maximum of 25 brokers.

## Setting configuration timeouts

Change timeouts that affect configuration tasks in the broker.

### Before you start:

Read Deployment overview to understand the conditions under which these timeouts apply.

The broker processes configuration requests from the Configuration Manager:

- User requests. When you issue a command against the broker, for example `mqsidedeploy`.
- Internal requests.

Several factors affect the time that a broker takes to apply and respond to these requests. These include the load on the broker's computer, network delays between components, and the work that execution groups are performing at the time the request is received. The number of message flows in an execution group, and their complexity, and large message sets, also affect the time taken.

You can change the length of time that a broker can take to perform these actions using two parameters that you can set on the `mqscreatebroker` and `mqschangebroker` commands. The combined default value for these parameters is approximately six minutes (360 seconds).

During development and test of message flows and broker configurations, experiment with the values that you set for these timeout to determine appropriate values for your resources.

- **-g** *ConfigurationChangeTimeout*

This value defines the maximum time (in seconds) that is allowed for a user configuration request to be processed, and defaults to five minutes (300 seconds). The value is affected by the system load (including processor use), and by each execution group's load. If the request is not completed in this time, the broker generates warning message BIP2066, but continues to implement the change. The broker records further diagnosis information in the system and event logs.

- **-k** *InternalConfigurationTimeout*

This value defines the maximum time (in seconds) that is allowed for an internal configuration change to be processed and defaults to one minute (60 seconds). For example, it defines the length of time that is allowed for the broker to start an execution group before a response is required.

The broker starts an internal process to start an execution group and to make all the message flows active. Part of this initialization is performed serially (one execution group at a time), therefore if the change affects more than one execution group the time required increases. If an execution group exceeds this timeout, the broker generates a warning message BIP2080. However, the initialization continues and the execution group is started. The broker records further diagnosis information in the system and event logs.

The sum of the *ConfigurationChangeTimeout* and the *InternalConfigurationTimeout* represents the maximum length of time that a broker can take to process a deployed configuration message before it generates a negative response. Check that typical configurations complete successfully within the time that you have specified, to minimize warning messages. Look for warning messages in the Broker Administration perspective in the Alerts view. When all messages disappear, the deployment has completed. If you start a deploy and record how long it takes for all messages to disappear from the Alerts view, you can use this time interval as the basis for setting these timeout values.

If the broker is on a production system, increase the values for both *ConfigurationChangeTimeout* and *InternalConfigurationTimeout* to allow for application messages that are currently being processed by message flows to be completed before the configuration change is applied. Also consider increasing the value if you have merged message flows into fewer execution groups that you are using for testing.

If the broker is on a development or test system, you might want to reduce timeouts (in particular, the *ConfigurationChange Timeout*) to improve perceived response times, and to force a response from a broker that is not showing expected behavior. However, reducing the timeout values decreases the probability of deploying a configuration change successfully.

## Modifying the broker's publish/subscribe engine

Check or change the state of the broker's publish/subscribe engine.

### Before you start:

- Start the broker by using the `mqsisstart` command.

You can control the state of the broker's publish/subscribe engine by modifying the predefined configurable service.

- "Checking the status of the broker's publish/subscribe engine"
- "Disabling the broker's publish/subscribe engine" on page 225
- "Enabling the broker's publish/subscribe engine" on page 226

### Checking the status of the broker's publish/subscribe engine

View the status of the broker's publish/subscribe engine to check if the broker or its queue manager is handling publish/subscribe application messages.

### Before you start:

- Start the broker by using the `mqsisstart` command.



To check the status of the configurable service for the broker's publish/subscribe engine:

1. Run the `mqsireportproperties` command to view the status of the PublishSubscribe configurable service:

```
mqsireportproperties WBRK61_DEFAULT_BROKER -c PublishSubscribe -o AllReportableEntityNames -r
```

The response to this command includes the status of the **psmode** parameter:

- If **psmode** is set to enabled (the default value), the broker's publish/subscribe engine is active and is handling all publish/subscribe application messages; publications, subscriptions, registrations, and retained subscriptions.
- If **psmode** is set to disabled, the broker's publish/subscribe engine is inactive; all publish/subscribe application messages are being handled by the broker's queue manager.

You can disable the broker's publish/subscribe engine only if you have installed WebSphere MQ Version 7.0 on this computer.

The setting for the broker's publish/subscribe engine always takes precedence, and the broker ensures that the state of the queue manager's publish/subscribe engine is compatible:

- If you start a broker for which **psmode** is set to enabled, it sets the status of the queue manager's publish/subscribe engine to DISABLED.
  - If you start a broker for which **psmode** is set to disabled, it sets the status of the queue manager's publish/subscribe engine to ENABLED.
2. If the reported status is not correct for your broker domain, and you want to change the status of the broker's publish/subscribe engine, see "Disabling the broker's publish/subscribe engine" or "Enabling the broker's publish/subscribe engine" on page 226.

If you change the status, you must restart the broker for that change to take effect.

## Disabling the broker's publish/subscribe engine

Configure your broker to give control of publish/subscribe applications to the broker's queue manager.

### Before you start:

- Check that you have installed WebSphere MQ Version 7.0 on this computer. You can disable the broker's publish/subscribe engine only if you have created or migrated the queue manager to Version 7.0.
- Check that the Command Server on this queue manager is started (this component must be active if the queue manager's publish/subscribe engine is to be used)
- Start the broker by using the `mqsisstart` command.

To disable the broker's publish/subscribe engine:

1. Run the `mqsichangeproperties` command to change the status of the PublishSubscribe configurable service:

```
mqsichangeproperties WBRK61_DEFAULT_BROKER -c PublishSubscribe -o Interface -n psmode -v disab
```

2. Stop the broker by using the `mqsisstop` command.
3. Start the broker by using the `mqsisstart` command. The broker checks the status of its publish/subscribe engine. Now that it is disabled, it updates the status of the queue manager and hands over control of all publish/subscribe clients and applications.

4. If appropriate, you must ensure that all your publish/subscribe clients reregister their subscriptions with the WebSphere MQ Version 7.0 queue manager publish/subscribe engine.

When this task has completed successfully, all publish/subscribe application messages and operations are managed by the queue manager.

### Enabling the broker's publish/subscribe engine

Configure your broker to gain control of publish/subscribe applications from the WebSphere MQ Version 7.0 queue manager.

#### Before you start:

- Check that you have installed WebSphere MQ Version 7.0 on this computer. If not, the broker's publish/subscribe engine is permanently enabled and you cannot change its state.
- Start the broker by using the `mqsistart` command.

To enable the broker's publish/subscribe engine:

1. Run the `mqsichangeproperties` command to change the status of the PublishSubscribe configurable service:  
`mqsichangeproperties WBRK61_DEFAULT_BROKER -c PublishSubscribe -o Interface -n psmode -v enabled`
2. Stop the broker by using the `mqsistop` command.
3. Start the broker by using the `mqsistart` command. The broker checks the status of its publish/subscribe engine. Now that it is enabled, it updates the status of the queue manager and takes control of all publish/subscribe application messages and operations.

When this task has completed successfully, all publish/subscribe application messages and operations are managed by the broker.

## Preparing the environment for WebSphere Adapters nodes

Before you can use the WebSphere Adapters nodes, you must set up the broker runtime environment so that you can access the Enterprise Information System (EIS).

#### Before you start:

Read WebSphere Adapters nodes.

To enable the WebSphere Adapters nodes in the broker runtime environment, configure the broker with the location of the EIS provider JAR files and native libraries.

1. The WebSphere Adapters nodes require libraries from the EIS vendors. For more information on how to obtain and use these libraries, see Developing message flow applications using WebSphere Adapters.
2. Use the following commands to make the JAR files and shared libraries available to the WebSphere Adapters nodes.
  - To set up the dependencies, use the following command.  
`mqsichangeproperties broker name -c EISProviders -o EIS type -n jarsURL -v jar directory`  
`mqsichangeproperties broker name -c EISProviders -o EIS type -n nativeLibs -v bin directory`

For example:

```
mqsichangeproperties brk6 -c EISProviders -o SAP -n jarsURL -v c:\sapjco\jars
mqsichangeproperties brk6 -c EISProviders -o SAP -n nativeLibs -v c:\sapjco\bin
```

After you have run the `mqsichangeproperties` command, restart the broker so that the changes take effect.

- To report the dependencies, use the following command.  
`mqsireportproperties broker name -c EISProviders -o EIS type -r`

For example:

```
mqsireportproperties brk6 -c EISProviders -o SAP -r
```

- On z/OS, run this command by customizing and submitting BIPJADPR.

When you have set up the environment for the WebSphere Adapters nodes, you can perform the preparatory tasks that are listed in *Developing message flow applications using WebSphere Adapters*.

## Preparing the environment for IMS nodes

Before you can use the IMS nodes, you must set up the broker runtime environment so that you can access the IMS system.

### Before you start:

Read *IBM Information Management System (IMS™)*.

Complete the following steps to ensure that WebSphere Message Broker can connect to the IMS system.

1. Ensure that IMS Connect is installed and started on the IMS system.
2. Define a configurable service for each IMS system to which you want to connect. For example, to create an `IMSConnect` configurable service for the IMS instance `IMSA` that is running on `test.ims.ibm.com`, port `9999`, run the `mqsicreateconfigurableservice` command as shown:

```
mqsicreateconfigurableservice WBRK61_DEFAULT_BROKER -c IMSConnect -o myIMSConnectService
-n Hostname,PortNumber,DataStoreName -v test.ims.ibm.com,9999,IMSA
```

For details about how to create, change, and report configurable services, see *Changing connection details for IMS nodes*. You can also configure connection properties on the IMS node.

3. Use the `mqsisetdbparms` command to set security details in the broker store. For example, to associate a user ID and password pair with an IMS Connect connection, run the `mqsisetdbparms` command as shown:

```
mqsisetdbparms WBRK61_DEFAULT_BROKER -n ims::mySecurityIdentity -u myuserid -p mypassword
```

You can also configure the security details on the node.

## Modifying a broker

### Before you start:

You must complete the following tasks:

- Ensure that your user ID has the correct authorizations to perform the task. Refer to “Security requirements for administrative tasks” on page 683
- “Creating a broker” on page 174

- On Windows, UNIX systems, and Linux, you must set up your command-line environment before performing this task, by running the product profile or console; refer to Setting up a command environment

Modify a broker using the command line on the system where the broker component is installed. On Windows, you can also use the Command Assistant to complete this task.

The parameters you can change on the broker affect the physical broker, created using the command line.

You can also modify the broker reference in the workbench, where it is possible to change broker properties, such as multicast properties.

Follow the link for the appropriate platform.

- “Modifying a broker on Linux and UNIX systems”
- “Modifying a broker on Windows” on page 229
- “Modifying a broker on z/OS” on page 231

## Modifying a broker on Linux and UNIX systems

Use the `mqsischangebroker` command on Linux and UNIX to modify your broker.

Linux

UNIX

To modify a broker on Linux and UNIX systems:

1. Stop the broker using the `mqsisstop` command.
2. Enter the `mqsischangebroker` command with the parameters that you want to change:

```
mqsischangebroker brokername <<-i ServiceUserID> -a ServicePassword>
<-p DatabaseSourcePassword> <-s UserNameServerQueueManagerName>
<-j | -d> <-t | -n> <-l UserLilPath> <-g ConfigurationTimeout>
<-k ConfigurationDelayTimeout> <-v StatisticsMajorInterval>
<-P httpListenerPort> <-y ldapPrincipal> <-z ldapCredentials>
<-c ICUconverterpath> <-x userExitPath> <-e activeUserExits>
<-o operationMode> <-r UserLilPath64> <-b UserExitPath64>
<-f functionlevel>
```

where:

### brokername

Is the broker name.

- i Is the service user ID that is used to run the broker.
- a Is the password for the broker user ID.
- p Is the password for the broker’s database user ID.
- s Is the WebSphere MQ queue manger for the User Name Server
- j Indicates that publish/subscribe access control is to be enabled for this broker.
- d Indicates that publish/subscribe access control is not enabled for this broker.
- t Indicates that the broker runs as a WebSphere MQ trusted application.
- n Indicates that the broker must cease to run as a WebSphere MQ trusted application.
- l Indicates from where LIL (loadable implementation libraries) files are loaded.

- g** Is the maximum time (in seconds) to allow a broker to process a deployed message.
- k** Is the maximum time (in seconds) to allow a broker to process a minimum size deployed message.
- v** Is the time (in minutes) for the duration of the interval for collecting statistics archive records.
- P** Is the port that the broker HTTP listener will use.  
The broker starts this listener when a message flow that includes HTTP nodes or Web Services support is started
- y** Is the user principal for access to an LDAP directory.
- z** Is the user password for access to LDAP.
- c** Is a delimited set of directories to search for additional code page converters.
- x** Is the path that contains the location of all user exits to be loaded for 32-bit execution groups in this broker.
- e** Is the list of active user exits.
- o** Is the operation mode that the broker will use.
- r** Indicates from where 64-bit LIL (loadable implementation libraries) files are loaded.
- b** Is the path that contains the location of all user exits to be loaded for 64-bit execution groups in this broker.
- f** Indicates the maximum function level of your broker that you want to enable.

For example, to change the user ID that is used to run the broker, enter the following command at the command prompt:

```
mqschangebroker WBRK_BROKER -i wbrkuid -a wbrkpw
```

3. Restart the broker using the mqsistart command. The broker restarts with the new properties. See the “mqschangebroker command” on page 399 for further information on these parameters.

If you cannot change a property using mqschangebroker, delete the broker and then create a new one with the new properties.

## Modifying a broker on Windows

Use the mqschangebroker command on Windows to modify your broker.

**Windows** To modify a broker on Windows:

1. Stop the broker using the mqsistop command.
2. Enter the mqschangebroker command with the parameters that you want to change:

```
mqschangebroker brokername <<-i ServiceUserID> -a ServicePassword>
<-p DatabaseSourcePassword> <-s UserNameServerQueueManagerName>
<-j | -d> <-t | -n> <-l UserLilPath> <-g ConfigurationTimeout>
<-k ConfigurationDelayTimeout> <-v StatisticsMajorInterval>
<-P httpListenerPort> <-y ldapPrincipal> <-z ldapCredentials>
<-c ICUconverterpath> <-x userExitPath> <-e activeUserExits>
<-o operationMode> <-r UserLilPath64> <-b UserExitPath64>
<-f functionlevel>
```

where:

**brokername**

Is the broker name.

- i Is the service user ID that is used to run the broker.
- a Is the password for the broker user ID.
- p Is the password for the broker's database user ID.
- s Is the WebSphere MQ queue manger for the User Name Server
- j Indicates that publish/subscribe access control is to be enabled for this broker.
- d Indicates that publish/subscribe access control is not enabled for this broker.
- t Indicates that the broker runs as a WebSphere MQ trusted application.
- n Indicates that the broker must cease to run as a WebSphere MQ trusted application.
- l Indicates from where LIL (loadable implementation libraries) files are loaded.
- g Is the maximum time (in seconds) to allow a broker to process a deployed message.
- k Is the maximum time (in seconds) to allow a broker to process a minimum size deployed message.
- v Is the time (in minutes) for the duration of the interval for collecting statistics archive records.
- P Is the port that the broker HTTP listener will use.  
The broker starts this listener when a message flow that includes HTTP nodes or Web Services support is started
- y Is the user principal for access to an LDAP directory.
- z Is the user password for access to LDAP.
- c Is a delimited set of directories to search for additional code page converters.
- x Is the path that contains the location of all user exits to be loaded for 32-bit execution groups in this broker.
- e Is the list of active user exits.
- o Is the operation mode that the broker will use.
- r Indicates from where 64-bit LIL (loadable implementation libraries) files are loaded.
- b Is the path that contains the location of all user exits to be loaded for 64-bit execution groups in this broker.
- f Indicates the maximum function level of your broker that you want to enable.

For example, to change the user ID that is used to run the broker, enter the following command at the command prompt:

```
mqsischangebroker WBRK_BROKER -i wbrkuid -a wbrkpw
```

3. Restart the broker using the mqsisstart command. The broker restarts with the new properties. See the "mqsischangebroker command" on page 399 for further information on these parameters.

If you cannot change a property using `mqsichangebroker`, delete the broker and then create a new one with the new properties.

## Modifying a broker on z/OS

### Before you start:

To complete this task, you must have completed the following task:

- “Creating a broker on z/OS” on page 179

To modify a broker:

1. Ensure that the broker is running
2. Stop the broker components by issuing the command/`F BROKERNAME, PC`.
3. When it has stopped, use the MVS `MODIFY` command with the `changebroker` parameters that you want to change. For example:

```
/F <BROKERNAME>,cb g=100,k=200
```

4. Restart the broker components by issuing the following command/`F BROKERNAME, SC`

The broker now uses the changed parameters.

You cannot change all the parameters with which you created a broker. If you cannot modify a parameter that you need to change using the `changebroker` command, delete the broker and then create a new one. This will allow you to redefine all the parameters.

The parameters that you can change are:

<b>g</b>	ConfigurationTimeout
<b>k</b>	ConfigurationDelayTimeout
<b>s</b>	UserNameServerQueueManagerName
<b>l</b>	UserLilPath
<b>v</b>	StatisticsArchiveInterval
<b>P</b>	HTTPListenerPort
<b>j</b>	publish/subscribe access control is to be enabled.
<b>j</b>	publish/subscribe access control is not enabled.
<b>y</b>	LdapPrincipal
<b>y</b>	LdapCredentials
<b>c</b>	ICUConverterPath
<b>x</b>	UserExitPath
<b>e</b>	ActiveUserExits
<b>x</b>	UserExitPath
<b>f</b>	functionlevel

See “`mqsichangebroker` command” on page 399 for further information on these parameters.

## Changing the operation mode of your broker

Change the operation mode in which your broker is working by using the `mqsimode` command.

You must change your broker configuration to ensure that your brokers are running in the operation mode for which you have purchased a license. You can change the mode to starter, adapter, or enterprise.

When you view the broker domain in the workbench, the current mode of each broker is displayed. If the resources deployed to a broker exceed the permitted amounts, the display indicates these violations. You cannot change the broker mode in the workbench; you must use the `mqsimode` command to make changes.

1. Open a command prompt.
  - **Linux** On Linux, run the `mqsiprofile` command to initialize the command environment.
  - **Windows** On Windows, click **Start** → **Programs** → **IBM WebSphere Message Brokers 6.1** → **Command Console** to open a command console.
2. Run the `mqsimode` command with the `-o` parameter to change the value of the run time, and the `-b` parameter to restrict the command to a single broker; see “`mqsimode` command” on page 574.
3. Check for error messages. If you attempt to re-configure the broker to a mode which is not sufficient for the deployed resources, the `mqsimode` command issues a warning indicating that changing the mode is not allowed. Resolve any violations, if required; see Resolving problems that occur during deployment of message flows.
4. (Optional) Run the `mqsimode` command again to confirm that there are no violations.

See further examples of changing the mode of your broker:

- “Example: Changing the operation mode of your broker” on page 579
- “Example: Changing the Trial Edition to the full edition” on page 578

### Moving from Trial Edition

You want to convert from Trial Edition mode to an alternative edition.

Contact your IBM representative to upgrade your license.

To ensure that all brokers are no longer created in trial mode, you must install the full package. If you leave your installation in the Trial Edition all new brokers that you create will be in trial mode by default.

1. Stop all components by using the `mqsisistop` command and close any workbench sessions on this computer; see “`mqsisistop` command” on page 622.
2. Uninstall the trial package, you do not need to uninstall the Message Broker Toolkit; see Uninstalling. The resources that you have defined are retained when you uninstall and reinstall the product. Your Message Broker Toolkit data is not affected by changing the run time.
3. Install only the broker component of the full package; see Installation Guide.
4. Open a command prompt.
  - **Linux** On Linux, run the `mqsiprofile` command to initialize the command environment.



- **Windows** On Windows, click **Start** → **Programs** → **IBM WebSphere Message Brokers 6.1** → **Command Console** to open a command console.
5. Ensure your brokers and configuration manager are started; see “Starting and stopping a broker” on page 319 and “Starting and stopping a Configuration Manager” on page 321.
  6. Use the `mqsimode` command without the `-b` parameter to change the mode of all of your brokers. Specify the mode that you require for your brokers by setting the `-o` parameter (*Mode\_Type*) to `enterprise`, `starter`, or `adapter`.
 

```
mqsimode -i localhost -p 2414 -q WBRK61_DEFAULT_CONFIGURATION_MANAGER -o Mode_Type
```

For example, to change all of your brokers in enterprise mode run the following command:

```
mqsimode -i localhost -p 2414 -q WBRK61_DEFAULT_CONFIGURATION_MANAGER -o enterprise
```

All brokers that you create in the future are created in enterprise mode unless you specify otherwise.

Ensure that you upgrade other required products, for example, WebSphere MQ and DB2 if you have trial versions of those products.

You must change your broker configuration to ensure that your brokers are running in the operation mode for which you have purchased a license; see “Changing the operation mode of your broker” on page 232.

## Checking the operation mode of your broker

Use the `mqsimode` command to find out the operation mode of your broker.

Run the `mqsimode` command specifying the `-b` parameter to report the mode being used by your broker. Running this command also reports any mode violations.

For example:

```
mqsimode -i localhost -p 1414 -q WBRK61_DEFAULT_QUEUE_MANAGER -b Broker_Name
```

If your broker is working in the starter mode and the name of your broker is *Broker\_Name* this command displays the following messages:

```
BIP1044: Connecting to the Configuration Manager's queue manager...
BIP1045: Connecting to the Configuration Manager...
BIP1807: Discovering mode information from broker 'Broker_Name'...
BIP1802: Broker 'Broker_Name' is in starter mode.
BIP8071: Successful command completion.
```

## Modifying a Configuration Manager

**Before you start:**

You must complete the following tasks:

- Ensure that your user ID has the correct authorizations to perform the task. Refer to “Security requirements for administrative tasks” on page 683
- “Creating a Configuration Manager” on page 188
- On Windows, UNIX systems, and Linux, you must set up your command-line environment before performing this task, by running the product profile or console; refer to Setting up a command environment

Modify a Configuration Manager using the command line on the system where the Configuration Manager component is installed. On Windows, you can also use the Command Assistant to complete this task.

Parameters that are required in order to start, stop and migrate the Configuration Manager (such as the service user ID and password, and the connection parameters to a configuration database for migration) can be modified only by using the command line on the system where the Configuration Manager component is installed.

Parameters that control a running Configuration Manager or domain (such as the set of broker references stored in the Configuration Manager ) can be modified using the Message Broker Toolkit or a Configuration Manager Proxy application, which might or might not be on the same machine as the Configuration Manager component.

Follow the link for the appropriate platform.

- “Modifying a Configuration Manager on Linux and UNIX systems”
- “Modifying a Configuration Manager on Windows” on page 235
- “Modifying a Configuration Manager on z/OS” on page 235

If you need to transfer the Configuration Manager onto another queue manager, follow the steps described in “Moving the Configuration Manager to a new queue manager” on page 236.

## Modifying a Configuration Manager on Linux and UNIX systems

The following steps show you how to modify a Configuration Manager’s service user ID, service password, database password, User Name Server queue manager, and the maximum JVM heap size, on Linux and UNIX systems:

1. Stop the Configuration Manager using the **mqsistop** command.
2. Enter the **mqsichangeconfigmgr** with the parameters you want to change:

```
mqsichangeconfigmgr configmgrName <<-i ServiceUserID> -a ServicePassword>  
<-p DatabasePassword> <-s UserNameServerQueueManagerName> <-j MaxJVMHeapSize>
```

where:

### **configmgrName**

Is the Configuration Manager name.

**-i** Is the service user ID that is used to run the Configuration Manager.

**-a** Is the password for the Configuration Manager user ID.

**-p** If an existing DB2 database from a previous version of the product has not yet been migrated, use this option to set the password used to access the database.

**-s** Is the WebSphere MQ queue manger for the User Name Server.

**-j** Is the maximum Java virtual machine heap size, in megabytes (minimum 64).

For example, to modify the Configuration Manager so that it can communicate with the User Name Server, enter the following command at the command prompt:

```
mqsichangeconfigmgr CMGR01 -s WBRK_UNQ_QM
```

3. Restart the Configuration Manager using the **mqsistart** command. The Configuration Manager restarts with the new properties.

If you cannot change a property, delete the Configuration Manager then create a new one with the new property. Creating a new Configuration Manager does not cause any loss of data as long as the previous Configuration Manager's database tables were not deleted (for example, by specifying the **-n** parameter on the **mqsdeleteconfigmgr** command).

## Modifying a Configuration Manager on Windows

The following steps show you how to modify a Configuration Manager's service user ID, service password, database password, User Name Server queue manager, and the maximum JVM heap size, on Windows:

1. Stop the Configuration Manager using the **mqsistop** command.
2. Enter the **mqsichangeconfigmgr** with the parameters you want to change:  

```
mqsichangeconfigmgr configmgrName <<-i ServiceUserID> -a ServicePassword>  
<-p DatabasePassword> <-s UserNameServerQueueManagerName> <-j MaxJVMHeapSize>
```

where:

### **configmgrName**

Is the Configuration Manager name. This is optional.

- i** Is the service user ID that is used to run the Configuration Manager.
- a** Is the password for the Configuration Manager user ID.
- p** If an existing DB2 database from a previous version of the product has not yet been migrated, use this option to set the password used to access the database.
- s** Is the WebSphere MQ queue manger for the User Name Server.
- j** Is the maximum Java virtual machine heap size, in megabytes (minimum 64).

For example, to modify the Configuration Manager so that it can communicate with the User Name Server, enter the following command at the command prompt:

```
mqsichangeconfigmgr CMGR01 -s WBRK_UNQ_QM
```

3. Restart the Configuration Manager using the **mqsistart** command. The Configuration Manager restarts with the new properties.

If you cannot change a property, delete the Configuration Manager then create a new one with the new property. Creating a new Configuration Manager does not cause any loss of data as long as the previous Configuration Manager's database tables were not deleted (for example, by specifying the **-n** parameter on the **mqsdeleteconfigmgr** command).

## Modifying a Configuration Manager on z/OS

### Before you start:

To complete this task, you must have completed the following task:

- "Creating a Configuration Manager on z/OS" on page 193

The following steps show you how to modify a Configuration Manager's database password, User Name Server queue manager, and the maximum JVM heap size:

1. At the command prompt, issue the stopcomponent command to stop the Configuration Manager.

2. When it has stopped, use the `MODIFY` command with the `changeconfigmgr` parameters that you want to change. Note that you can abbreviate `changeconfigmgr` to `cc`. For example:

```
MODIFY <configurationmanagername>,changeconfigmgr s=WBRK_UNQ_QM
```

3. At the command prompt issue the `startcomponent` command.  
The Configuration Manager now uses the changed parameters.

You cannot change all the parameters with which you created a Configuration Manager. If you cannot modify a parameter that you need to change using the `changeconfigmgr` command, delete the Configuration Manager and then create a new one. This will allow you to redefine all the parameters.

The parameters that you can change are:

- `s=` Is the WebSphere MQ queue manager for the User Name Server.
- `j=` Is the maximum Java virtual machine heap size, in megabytes (minimum 64).

See “`mqsichangeconfigmgr` command” on page 410 for further information on these parameters.

## Moving the Configuration Manager to a new queue manager

The following steps show you how to move the Configuration Manager to a new queue manager that is on the same computer or on a different computer:

1. Use the `mqsicreateconfigmgr` command to create a new Configuration Manager that uses the new queue manager. Do not specify a database name.
2. If possible, stop all brokers in the domain using the `mqsistop` command.
3. Stop the original Configuration Manager using the `mqsistop` command.
4. Back up the original Configuration Manager using the `mqsibackupconfigmgr` command.
5. On the computer that contains the new Configuration Manager, use the `mqsirestoreconfigmgr` command to overwrite the new Configuration Manager’s repository with the one that you backed up.
6. Start the new Configuration Manager using the `mqsistart` command.
7. Perform a complete deployment of the topology, using the Message Broker Toolkit, the `mqsdeploy` command, or the Configuration Manager Proxy. This tells all the brokers in the domain to associate themselves with the new Configuration Manager.
8. If you stopped the brokers in the domain in Step 2, start them using the `mqsistart` command as soon as deployment is initiated, so that the deployments can now be processed.
9. If it was not possible to stop the brokers in Step 2, ensure that any messages on the original Configuration Manager’s queue manager’s `SYSTEM.BROKER.ADMIN.QUEUE` are transferred manually to the new Configuration Manager’s queue manager’s `SYSTEM.BROKER.ADMIN.QUEUE`. This is the queue that brokers use to communicate their status to the Configuration Manager and if any status change event occurred between stopping the original Configuration Manager in Step 3 and the complete deployment in Step 7, any messages that report a change in status will have been sent to the old Configuration Manager.

## Modifying a User Name Server

### Before you start:

You must complete the following tasks:

- Ensure that your user ID has the correct authorizations to perform the task. Refer to “Security requirements for administrative tasks” on page 683
- “Creating a User Name Server” on page 198
- On Windows, UNIX systems, and Linux, you must set up your command-line environment before performing this task, by running the product profile or console; refer to Setting up a command environment

Modify a User Name Server using the command line on the system where the User Name Server component is installed. On Windows, you can also use the Command Assistant to complete this task.

Follow the link for the appropriate platform.

- “Modifying a User Name Server on Linux and UNIX systems”
- “Modifying a User Name Server on Windows” on page 238
- “Modifying a User Name Server on z/OS” on page 238

### Modifying a User Name Server on Linux and UNIX systems

To modify a User Name Server on Linux and UNIX systems; AIX, HP-UX, Linux on System z, Linux on x86 and Solaris:

1. Stop the User Name Server using the **mqsistop** command.
2. Enter the **mqsichangeusernameserver** command with the parameters that you want to change: `mqsichangeusernameserver <<-i ServiceUserID> <-a ServicePassword> <-d SecurityDomainName> <-r RefreshInterval> <-g AuthProtocolDataSource> <-j` | -o>` where:

- i Is the service user ID that is used to run the User Name Server
- a Is the password for the User Name Server user ID.
- d Is the security domain that the User Name Server uses on the Windows platform.
- r Is the number of seconds between each refresh of the User Name Server internal cache.
- j Indicates that groups and group memberships are defined in the data source for the authentication protocol, rather than being drawn from the operating system.
- o Indicates that groups and group memberships are drawn from the operating system, rather than being defined in the data source for the authentication protocol.
- g Is the name of the data source required by the authentication protocol.

For example, to change the number of seconds between each refresh of the User Name Server internal cache, enter the following command at the command prompt:

```
mqsichangeusernameserver -r 2000
```

3. Restart the User Name Server using the **mqsistart** command. The User Name Server restarts with the new properties.

If you cannot change a property using **mqsichangeusernameserver**, delete the User Name Server and then create a new one with the required properties.

## Modifying a User Name Server on Windows

**Windows** To modify a User Name Server:

1. Stop the User Name Server using the **mqsistop** command.
2. Enter the **mqsichangeusernameserver** command with the parameters you want to change:

```
mqsichangeusernameserver <<-i ServiceUserID> <-a ServicePassword>  
<-d SecurityDomainName> <-r RefreshInterval> <-k AuthProtocolType>  
<-j AuthProtocolModule> <-g AuthProtocolDataSource>
```

where:

- i Is the service user ID that is used to run the User Name Server
- a Is the password for the User Name Server user ID.
- d Is the security domain that the User Name Server uses.
- r Is the number of seconds between each refresh of the User Name Server internal cache.
- k Indicates that the authentication protocol is supported by brokers.
- j Indicates that the authentication services product library is to be used.
- g Indicates the name and location of the password file used to source any protocol related information.

For example, to change the number of seconds between each refresh of the User Name Server internal cache, enter the following command at the command prompt:

```
mqsichangeusernameserver -r 2000
```

3. Restart the User Name Server using the **mqsistart** command. The User Name Server restarts with the new properties.

If you cannot change a property using **mqsichangeusernameserver**, delete the User Name Server and then create a new one with the new properties.

## Modifying a User Name Server on z/OS

### Before you start:

To complete this task, you must have completed the following task:

- “Creating a User Name Server on z/OS” on page 202

To modify a User Name Server.

1. At the command prompt issue the stopcomponent command to stop the User Name Server.
2. When it has stopped, use the MODIFY command with the changeusernameserver parameters that you want to change. For example:  

```
MODIFY <usernameserver>,changeusernameserver r=2000
```
3. At the command prompt issue the startcomponent command.  
The User Name Server now uses the changed parameters.

You cannot change all the parameters with which you created the User Name Server: if you cannot modify a parameter that you need to change using the

changeusernameserver command, delete the User Name Server and then create a new one. This will allow you to redefine all the parameters.

## Moving from WebSphere Message Broker on a distributed platform to z/OS

Recommendations on how to define resources for WebSphere Message Broker for z/OS are given in the following topics:

- “z/OS customization overview” on page 150
- “Customizing the z/OS environment” on page 148
- “Creating a broker on z/OS” on page 179
- “Creating a User Name Server on z/OS” on page 202
- “Creating a Configuration Manager on z/OS” on page 193
- “Administration in z/OS” on page 629

Taking these into account, recreate your broker and User Name Server resources on z/OS and deploy your message flows and execution groups to a WebSphere Message Broker for z/OS broker. If you have extended WebSphere Message Broker in a distributed environment with user-defined parsers or message processing nodes, port them to run under z/OS.

Also consider the following points:

- Floating point conversion: z/OS runs under z/OS floating point format, so floating point operations on z/OS run in a different range and accuracy from distributed platforms.
- Administration commands are partially implemented as console commands and partially as JCL commands.
- Event log messages: All address spaces have a JOBLOG where messages appear. In addition to this, all messages appear on the SYSLOG, with important operator messages being filtered to the console through MPF (Message Processing Facility).

For information about message flow transactionality, see Message flow transactions.

### Moving user applications

You can write your own applications to work with WebSphere Message Broker. If these applications use the common subset of functionality of all WebSphere Message Broker brokers, no migration is necessary. If you are using functionality that is available on some WebSphere Message Broker platforms only, for example message segmentation and WebSphere MQ message groups, be aware that WebSphere Message Broker for z/OS does not provide support for this migration.

## Deleting an execution group from a broker using the command line

**Before you start:**

You must complete the following tasks:

- “Adding an execution group to a broker using the command line” on page 187

Instead of employing the Message Broker Toolkit, you can use this task as an alternative method of deleting an execution group .

For more details on deleting an execution group from the Message Broker Toolkit see “Deleting an execution group” on page 257

To delete an execution group from a broker using the command line:

1. Open a command prompt that has the environment configured for this version of WebSphere Message Broker.
2. Enter the following command to delete the execution group:  
`mqsideleteexecutiongroup -i host -p 1414 -q QMGR -b BROKER -e EG1`

where

**host** Is the host name or IP address of the Configuration Manager for the domain on which the broker resides.

**1414** Is the port on which the Configuration Manager’s queue manager is listening.

**QMGR** Is the name of the Configuration Manager’s queue manager.

**BROKER** Is the name of the broker.

**EG1** Is the name of the execution group that you want to delete.

On completion of this task, the execution group is no longer running on the specified broker. In addition, any message flows that were running on the execution group are no longer running.

## Deleting a broker

### Before you start:

You must complete the following tasks:

- Ensure that your user ID has the correct authorizations to perform the task. Refer to “Security requirements for administrative tasks” on page 683
- Remove the broker from the broker domain in the workbench (“Removing a broker from a broker domain” on page 253).

Delete a broker using the command line on the system where the broker component is installed. On Windows, you can also use the Command Assistant to complete this task.

On Windows, UNIX systems, and Linux, you must set up your command-line environment before deleting a broker, by running the product profile or console; refer to Setting up a command environment.

You can remove the broker from the broker topology using the workbench, but the physical broker will not be deleted until the broker is physically deleted from the command line.

Follow the link for the appropriate platform.

- “Deleting a broker on Linux and UNIX systems” on page 241



- “Deleting a broker on Windows”
- “Deleting a broker on z/OS”

## Deleting a broker on Linux and UNIX systems

To delete a broker on Linux and UNIX systems:

1. Stop the broker using the **mqsistop** command.
2. Enter the following command to delete the broker:

```
mqsdeletebroker WBRK_BROKER
```

where:

WBRK\_BROKER is the broker name.

On completion of this task, you have:

- Removed the broker’s data from the database.
- Removed the record for the component in the broker registry. It is therefore removed from the list of components displayed by issuing the **mqsilist** command.

## Deleting a broker on Windows

**Windows** To delete a broker:

1. Stop the broker using the **mqsistop** command.
2. Enter the following command to delete the broker:

```
mqsdeletebroker WBRK_BROKER
```

where:

WBRK\_BROKER is the broker name.

On completion of this task, you have:

- Stopped the Windows service that runs the broker.
- Removed the broker’s data from the database.
- Removed the record for the component in the broker registry. It is therefore removed from the list of components displayed by issuing the **mqsilist** command.

## Deleting a broker on z/OS

To delete a broker:

1. Remove the broker from the broker domain, in the workbench. Refer to “Removing a broker from a broker domain” on page 253.
2. Stop the broker, by stopping the started task.
3. Customize and submit the following delete jobs in your component PDSE to delete WebSphere MQ and DB2 definitions:

Delete jobs	Description
BIPDLBK	Delete component including WebSphere MQ broker queues and channels and rows in the DB2 database
BIPDLDB	Drop the broker DB2 database, storage group and table spaces.

**Note:**

- a. Not all files are deleted from the component directory in the file system.
- b. When the BIPDLDB job drops the broker DB2 database, it also deletes any Image Copy references to itself that you currently have. If you restore the broker in future you need to reinstate the Image Copy references.

## Deleting a Configuration Manager

### Before you start:

Ensure that your user ID has the correct authorizations to perform the task. Refer to “Security requirements for administrative tasks” on page 683

Delete a Configuration Manager using the command line on the system where the Configuration Manager component is installed. On Windows, you can also use the Command Assistant to complete this task.

On Windows, UNIX systems, and Linux, you must set up your command-line environment before deleting a Configuration Manager, by running the product profile or console; refer to Setting up a command environment.

Follow the link for the appropriate platform:

- “Deleting a Configuration Manager on Linux and UNIX systems”
- “Deleting a Configuration Manager on Windows” on page 243
- “Deleting a Configuration Manager on z/OS” on page 243

### Deleting a Configuration Manager on Linux and UNIX systems

You delete the Configuration Manager using the command line. The Configuration Manager can be deleted only from the system where the Configuration Manager component is installed.

You can delete a Configuration Manager without also deleting your domain connection parameters in the workbench. If you want to delete a Configuration Manager and create a new one, you can keep your connection parameters in the workbench, even if you specify different parameters when creating the new Configuration Manager. When you reconnect to your domain in the workbench your new settings are displayed.

To delete a Configuration Manager on Linux and UNIX systems:

1. Stop the Configuration Manager using the “mqsisstop command” on page 622command.
2. Delete the Configuration Manager using the “mqsideleteconfigmgr command” on page 531 command.

On completion of this task, you have:

- Removed the record for the component in the broker registry. It is therefore removed from the list of components displayed by issuing the “mqsilist (list resources) command” on page 554 command.
- Preserved all internal data associated with the Configuration Manager, unless you specify the -n parameter on the “mqsideleteconfigmgr command” on page 531 command.

## Deleting a Configuration Manager on Windows

You delete the Configuration Manager using the command line. The Configuration Manager can be deleted only from the system where the Configuration Manager component is installed.

You can delete a Configuration Manager without also deleting your domain connection parameters in the workbench. If you want to delete a Configuration Manager and create a new one, you can keep your connection parameters in the workbench, even if you specify different parameters when creating the new Configuration Manager. When you reconnect to your domain in the workbench your new settings will be displayed.

**Windows** To delete a Configuration Manager:

1. Stop the Configuration Manager using the “mqsisstop command” on page 622 command.
2. Delete the Configuration Manager using the “mqsideleteconfigmgr command” on page 531 command.

On completion of this task, you have:

- Stopped the Windows service that runs the Configuration Manager.
- Removed the record for the component in the broker registry. It is therefore removed from the list of components displayed by issuing the “mqsilist (list resources) command” on page 554 command.
- Preserved all internal data associated with the Configuration Manager, unless you specify the -n parameter on the “mqsideleteconfigmgr command” on page 531 command.

## Deleting a Configuration Manager on z/OS

To delete a Configuration Manager:

1. Stop the Configuration Manager, by stopping the started task.
2. Customize and submit the following delete jobs in your component PDSE to delete WebSphere MQ definitions:

Delete jobs	Description
BIPDLCM	Delete component including WebSphere MQ broker queues and channels.

Note that not all files are deleted from the component directory in the file system.

## Disabling a User Name Server

When you delete a User Name Server you disable publish/subscribe services within the broker domain.

To delete a User Name Server from the broker domain, remove the connections between the broker, Configuration Manager, and User Name Server. This ensures that the broker and Configuration Manager do not continue to communicate with the User Name Server.

Modify the broker and Configuration Manager using the **mqsichangebroker** and **mqsichangeconfigmgr** commands, *before* you delete the User Name Server. The following steps show you how to do this.

- Modify the broker by removing the reference to the queue manager for the User Name Server. Use the **mqsichangebroker** command to modify the **-s** and **-d** parameters:
  1. Specify an empty string (two double quotation marks, `""`) on the **-s** parameter.
  2. Specify the **-d** parameter to disable publish/subscribe access for the broker. This ensures that the broker does not try to communicate with the User Name Server.
- Modify the Configuration Manager by removing the reference to the queue manager for the User Name Server. Use the command to modify the **-s** parameter, by specifying an empty string (two double quotation marks, `""`). This ensures that the Configuration Manager does not try to communicate with the User Name Server.

Now that you have made the required changes to the broker and Configuration Manager, you can delete the User Name Server, and thus disable publish/subscribe services.

## Deleting a User Name Server

### Before you start:

You must complete the following task:

- Ensure that your user ID has the correct authorizations to perform the task. Refer to “Security requirements for administrative tasks” on page 683
- Modify the broker and Configuration Manager so that they do not continue to communicate with the User Name Server. See “Disabling a User Name Server” on page 243 for details of the changes you must make.

Delete a User Name Server using the command line on the system where the User Name Server component is installed. On Windows, you can also use the Command Assistant to complete this task.

On Windows, UNIX systems, and Linux, you must set up your command-line environment before deleting a User Name Server, by running the product profile or console; refer to Setting up a command environment.

Follow the link for the appropriate platform.

- “Deleting a User Name Server on Linux and UNIX systems”
- “Deleting a User Name Server on Windows” on page 245
- “Deleting a User Name Server on z/OS” on page 245

### Deleting a User Name Server on Linux and UNIX systems

To delete a User Name Server on Linux and UNIX systems; AIX, HP-UX, Linux on System z, Linux on x86 and Solaris:

1. Stop the User Name Server using the **mqsistop** command.
2. Enter the following command to delete the User Name Server:

```
mqsdeleteusenameserver
```

On completion of this task, you have:

- Deleted the queue associated with the User Name Server on the local queue manager
- Removed the record for the component in the broker registry. It is therefore removed from the list of components displayed by issuing the **mqsilist** command.

## Deleting a User Name Server on Windows

**Windows** To delete a User Name Server:

1. Stop the User Name Server using the **mqsistop** command.
2. Enter the following command to delete the User Name Server:

```
mqsdeleteusernameserver
```

On completion of this task, you have:

- Stopped the Windows service that runs the User Name Server.
- Deleted the queue associated with the User Name Server on the local queue manager.
- Removed the record for the component in the broker registry. It is therefore removed from the list of components displayed by issuing the **mqsilist** command.

## Deleting a User Name Server on z/OS

To delete a User Name Server:

1. Stop the User Name Server, by stopping the started task.
2. Customize and submit the following delete job manually to delete WebSphere MQ definitions:

<i>Delete jobs</i>	<i>Description</i>
BIPDLUN	Deletes components WebSphere MQ queues and channels

Note that not all files are deleted from the component directory in the file system.

---

## Configuring a broker domain in the workbench

Create the resources for your broker domain in the workbench on Linux (x86 platform) or Windows.

### Before you start:

Created the physical broker domain components. Refer to “Configuring broker domain components” on page 173.

This task is the second part of the two-stage process to create and configure your broker domain. Use the workbench to configure and administer the broker domain components.

Launch the workbench in one of the following ways:

- **Linux** From the main menu:
  - On Red Hat, click **Programming** → **IBM WebSphere Message Broker Toolkit**.

- On SUSE Linux, click **All Applications** → **WebSphere Message Broker Toolkit**.
- **Windows** Click **Start** → **IBM Software Development Platform** → **IBM WebSphere Message Brokers Toolkit** → **WebSphere Message Broker Toolkit**, or double-click the shortcut on your desktop labelled 'WebSphere Message Broker Toolkit'.
- Use the following commands in a command prompt from their location in the root directory for the package group:
  - **Linux**

```
./eclipse -product com.ibm.etools.msgbroker.tooling.ide
```
  - **Windows**

```
eclipse.exe -product com.ibm.etools.msgbroker.tooling.ide
```

See the following tasks for instructions on how to configure a broker domain in the workbench:

- “Creating a domain connection”
- “Modifying domain connection properties” on page 248
- “Deleting a domain connection” on page 249
- “Adding a broker to a broker domain” on page 250
- “Modifying broker properties” on page 252
- “Removing a broker from a broker domain” on page 253
- “Removing deployed children from a broker” on page 254
- “Adding an execution group to a broker in the workbench” on page 255
- “Deleting an execution group” on page 257
- “Removing deployed children from an execution group” on page 258

When configuring your broker domain, you are prompted to deploy all changes to the Configuration Manager. You can set your user preferences to suppress the prompt to deploy after each change. See “Changing Broker Administration preferences” on page 303.

When you make changes to the broker domain, and deploy to the Configuration Manager, a short delay might occur before the workspace is updated and the Configuration Manager tells you that the deploy has worked. The delay depends on the network configuration, and the number of changes to make to the configuration of the broker domain during the deployment.

## Creating a domain connection

This topic describes how to create a domain connection.

### Before you start:

Complete the following tasks:

- “Creating a Configuration Manager” on page 188.
- Create and start a listener for the Configuration Manager. For details on how to create and start a listener, follow the instructions for listeners in the topic: “Starting the WebSphere MQ channels and listeners” on page 210.

This topic shows you how to:

- Create a domain connection in the workbench using the Create a Domain Connection wizard.
- Enter a set of parameters to create a .configmgr file.
- Use the parameters contained within the .configmgr file to connect to the Configuration Manager, where you can view and edit your broker domain.

To create a domain connection:

1. Switch to the Broker Administration perspective.
2. Click **New** → **Domain Connection** to open the Domain Connection wizard.
3. In the Create a Domain Connection wizard, enter:
  - a. The value for the WebSphere MQ **Queue Manager Name** that the Configuration Manager is using. This property is mandatory.
  - b. The **Host** name or IP address of the machine on which the Configuration Manager is running (the default is localhost). This property is mandatory.
  - c. The TCP **Port** on which the WebSphere MQ queue manager is listening (the default is 1414). This property must be a valid positive number.
  - d. Optional: The name of the server-connection channel in the **SVRCONN Channel Name** field. The channel has a default name of SYSTEM.BKR.CONFIG. You can create more than one server-connection channel and define a different SSL certificate on each channel to enforce; for example, users with view access on to one channel and users with deploy access on to a different channel.

You can then create WebSphere MQ exits on each channel to provide additional authentication of the WebSphere MQ message sent to the Configuration Manager.

You must create the server-connection channel manually on the Configuration Manager's queue manager by using one of the following options:

- The WebSphere MQ runmqsc command to create a channel with options CHLTYPE(SVRCONN) and TRPTYPE(TCP).
- The WebSphere MQ Explorer to create a server-connection channel with the transmission protocol set to TCP.

For more information see your WebSphere MQ documentation.

The default name of SYSTEM.BKR.CONFIG is assumed if you do not change the name, or attempt to delete it. The name of the server-connection channel is changed only if you enter another name in place of SYSTEM.BKR.CONFIG.

- e. Optional: The **Class** of the Security Exit required to connect to the WebSphere MQ queue manager. This property must be a valid Java class name, but you can leave this field blank if it does not apply to your domain connection.
- f. Optional: The **JAR File Location** for the Security Exit required to connect to the WebSphere MQ queue manager. Click **Browse** to find the file location. You can leave this field blank if it does not apply to your domain connection. You must provide a **JAR File Location** if you enter a Security Exit **Class**.
- g. Optional: The **Cipher Suite**, **Distinguished Names**, **CRL Name List**, **Key Store**, and **Trust Store** parameters are required to enable SSL. For more information, see "Implementing SSL authentication" on page 57. The **Cipher Suite** field displays available cipher suites. Click **More** to configure Custom

SSL Cipher Suites in the Broker Administration Preferences window. If a **Cipher Suite** is not specified, all of the other fields in the SSL section are unavailable.

You can configure several domain connections in your workspace. Each domain connection has to address a different Configuration Manager, which needs to have a different WebSphere MQ **Queue Manager Name**, **Host** name, or TCP **Port** number. An error message is displayed in the Create a Domain Connection wizard if you try to create a second broker domain using the same **Queue Manager Name**, **Host** name, and **Port** number.

4. Click **Next** to begin the domain connection to the Configuration Manager.
5. If you click **Cancel**, the Create a Domain Connection wizard closes, forcing disconnection from the domain.
6. After the domain connection has been made, enter:
  - a. The name of your **Server Project**. The Server Project is the container for your domain connection. If you have not already created a server project, you can specify the name of a new project here. The server project is created with the domain connection.
  - b. The **Connection name**. The Connection name is the name that you give to the .configmgr file that contains the parameters to connect to the Configuration Manager.
7. Click **Finish** to create the domain connection.

The new domain connection is added to the Broker Administration Navigator view, in Domain Connections. The server project holds the .configmgr domain connection file.

The view of the broker domain is displayed in the Domains view.

## Modifying domain connection properties

### Before you start:

To complete this task, you must have completed the following tasks:

- “Creating a domain connection” on page 246
- Disconnect from the broker domain. Refer to “Connecting to and disconnecting from the broker domain” on page 315.

Modify the parameters of the .configmgr domain connection file that are used to connect to the Configuration Manager.

To modify the domain connection properties.

1. Switch to the Broker Administration perspective.
2. In the Broker Administration Navigator view, expand Domain Connections, and open your server project.
3. Right-click the .configmgr domain connection file and click **Open With** → **Domain Connection Editor**. From here you can change:
  - a. The name of the WebSphere MQ queue manager that the Configuration Manager is using. This property is mandatory.
  - b. The host name or IP address of the machine on which the Configuration Manager is running. This property is mandatory.
  - c. The TCP port on which the WebSphere MQ queue manager is listening. This property must be a valid positive number.



- d. Optional: The name of the server-connection channel. The channel has a default name of `SYSTEM.BKR.CONFIG`.

You can create more than one server-connection channel and define a different SSL certificate on each channel to enforce, for example, users with view access on to one channel and users with deploy access on to a different channel.

You can then create WebSphere MQ exits on each channel to provide additional authentication of the WebSphere MQ message sent to the Configuration Manager.

You must create the server-connection channel manually on the Configuration Manager's queue manager by using the WebSphere MQ:

- `runmqsc` command to create a channel with options `CHLTYPE(SVRCONN)` and `TRPTYPE(TCP)`, or
- Explorer to create a server-connection channel with the transmission protocol set to TCP.

For more information see your WebSphere MQ documentation.

The default name of `SYSTEM.BKR.CONFIG` is assumed if you do not change the name, or attempt to delete it. The name of the server-connection channel is changed only if you enter another name in place of `SYSTEM.BKR.CONFIG`.

- e. Optional: The name of the Security Exit required to connect to the WebSphere MQ queue manager. This property must be a valid Java class name, but it is not mandatory and you can leave it blank, if it does not apply to your domain connection.
- f. Optional: The location of the JAR file for the Security Exit required to connect to the WebSphere MQ queue manager. Use the Browse button to find the file location. You can leave this box blank if it does not apply to your domain connection.

**Note:** The location of the JAR file is required if a Security Exit class is entered.

- g. Optional: The cipher suite, distinguished names, CRL name list, key store, and trust store parameters required when enabling SSL (see "Implementing SSL authentication" on page 57 for more information). The cipher suite field displays available cipher suites. Click **More** to configure a custom cipher suite in the Broker Administration preferences window. If a cipher suite is not specified, all other fields in the SSL section are unavailable.

4. Close the editor.
5. You are prompted to save the changes; click **Yes**. If the broker domain is connected, you are prompted to disconnect before you can save your changes. The `.configmgr` domain connection file is updated with the new parameters.

You can also change the domain connection parameters for a *disconnected* domain, from the Domains view. Right-click the disconnected domain and click **Edit Parameters**. This opens the Domain Connection editor. Follow steps 3 to 5 above to make the changes you require.

## Deleting a domain connection

**Before you start:**

You must complete the following task:

- "Creating a domain connection" on page 246

To delete a domain connection, delete the corresponding `.configmgr` file from your server project.

The configuration of the broker domain is stored in the Configuration Manager and is not affected by deleting the domain connection. If you create a new domain connection to the same Configuration Manager, the broker domain will be configured and available for use.

The following steps show you how to delete a domain connection.

1. Switch to the Broker Administration perspective.
2. In the Broker Administration Navigator view:
  - a. Expand Domain Connections
  - b. Open the servers project (called Servers by default).
3. Right-click the domain connection file(<connection name>.configmgr) and click **Delete**.
4. Click **OK** at the prompt, to confirm that you want to delete the domain connection.

If the broker domain in the Domains view is connected, you are prompted to disconnect from the broker domain before it can be deleted. Click **Yes** to disconnect from the broker domain. Clicking **Cancel** at this prompt, cancels deletion of the domain connection.

On completion of this task:

- The `.configmgr` file is removed from the server project.
- The view of the broker domain and its hierarchy is removed from the Domains view.

## Adding a broker to a broker domain

How to add a broker to a broker domain.

### Before you start:

You must complete the following tasks:

- “Creating a broker” on page 174
- “Connecting to and disconnecting from the broker domain” on page 315

Adding a broker to the broker topology creates a broker reference in the configuration repository; it does not create the physical broker. When you add a broker, you must use the same name that you used to create the broker.

To add a broker to a broker domain:

1. Switch to the Broker Administration perspective.
2. In the Domains view, right-click the default configuration manager, and click **New → Broker Reference**.
3. In the Create a Broker Reference wizard:
  - a. Select the broker domain to which you want to add the broker. If the selected broker domain is not connected, you are prompted to connect to the domain. Click **OK**. If you click **Cancel** at this prompt, the wizard remains open.
  - b. Type the name of the broker.

- c. Type the WebSphere MQ **Queue Manager Name** that the Configuration Manager is using.

**Note:**

- 1) If the WebSphere MQ queue manager is on a separate machine, make sure that you have performed the steps listed in “Connecting components” on page 217.
  - 2) You can associate a WebSphere MQ **Queue Manager Name** with only one broker, even if the brokers are in different broker domains.
4. Click **Next**.
  5. Optional: Enter a short or long description for the broker.
  6. Click **Finish** to add the broker to the broker domain.
  7. You are, by default, prompted to deploy the updated publish/subscribe topology configuration.

You only need to deploy the topology (either **Complete** or **Delta**) if you are using publish/subscribe and want to share publications or subscriptions. For more information see Publish/subscribe topology deployment.

If you are *not* using publish/subscribe, click **None**. A deployment now (to associate the broker with the Configuration Manager) is not necessary; the broker is automatically associated with the Configuration Manager the first time a broker archive (BAR) file is deployed. See Deploying a broker archive file.

You can set user preferences so that you are not prompted to deploy the publish/subscribe topology. See “Changing Broker Administration preferences” on page 303. Instead, you can choose for either a complete or delta deployment to be performed automatically. Alternatively, if you are not using publish/subscribe, you might want to set the preference so that *no* automatic deployment takes place.

In the Domains view, the broker is added to the broker domain and a default execution group is added to the broker.

Adding a broker to the broker topology creates security ACL groups, which give the user ID full control of the broker and its default execution group. These ACL groups exist until this broker is removed from the broker domain. The user ID can be removed from the mqbr\* groups, but the user still has the full control access level for the broker and its default execution group.

**Next:**

Add any further execution groups to the broker that you require. Then create, modify, or reuse message flows, message sets and other required files, and add them to the broker archive for deploying to the broker.

## Copying a broker

**Before you start:**

You must complete the following task:

- “Adding a broker to a broker domain” on page 250

You can copy a broker that you have previously added to a broker domain. The new broker reference can be pasted within the same broker domain only.

The new broker inherits the same short and long description as the original broker, and the same execution groups are added; the message flows under the execution groups of the original broker are not inherited by the new broker's execution groups. All other broker properties and multicast properties are *not* inherited by the new broker.

The new broker is automatically given a unique broker name, and queue manager name.

The following steps show you how to copy a broker.

1. Switch to the Broker Administration perspective.
2. In the Domains view, open the broker domain and right-click the broker that you want to copy. Click **Copy**.
3. In the broker domain right-click the Broker Topology and click **Paste**.
4. You are prompted to deploy the updated topology configuration. Click **Delta** to perform a delta deploy. If user preferences are not set to *prompt*, the topology deploy is automatic.

The new broker reference is added to the broker domain. It inherits the short and long description and the same execution groups as the original broker.

The new broker is given a unique name in the broker domain, and a new queue manager name.

The newly-created broker does not necessarily reference a physical broker correctly. The workbench does not check if a physical broker exists for the new broker reference.

To ensure that the broker reference does not contain any errors, rename the broker and the broker's queue manager to be exactly the same names as those specified on the **mqsicreatebroker** command when the physical broker was created:

- To rename the broker, refer to "Renaming a broker" on page 253.
- To rename the broker's queue manager, refer to "Modifying broker properties."

## Modifying broker properties

You can modify broker properties by adding a long or short description, and by customizing the broker and multicast properties.

### Before you start:

To perform this task, you must have completed the following tasks:

- "Adding a broker to a broker domain" on page 250
- Start the broker. See "Starting and stopping a broker" on page 319.

To modify the broker properties:

1. Switch to the Broker Administration perspective.
2. In the Domains view, right-click the broker that you want to modify, and click **Properties**. In the properties window you can modify:
  - a. The broker properties.

Click **Broker** in the left panel of the properties window. For details of all of the broker properties, see "Broker properties" on page 363.

- b. The multicast properties.  
Expand **Multicast** in the left panel of the properties window.  
Click **Advanced** to access the advanced multicast properties.  
For details of all of the multicast properties, see “Setting up a multicast broker” on page 265.
  - c. The description for the broker.  
Click **Description** in the left panel of the properties window. Enter either a short or a long description, or both, for the broker.
3. Click **OK** to save all of the modifications to the broker.  
An automatic broker configuration deployment is performed immediately to implement the changed broker properties, except for the broker queue manager name, and the short and long descriptions, for which deployment is not required to update the broker properties.

## Renaming a broker

### Before you start:

You must complete the following tasks:

- “Adding a broker to a broker domain” on page 250

You might need to rename a broker (and possibly its queue manager; refer to “Modifying broker properties” on page 252) if your original attempt at creating a broker reference contained an error.

Renaming a broker is simpler than deleting and re-creating it.

The following steps show you how to rename a broker:

1. Switch to the Broker Administration perspective.
2. In the Domains view, right-click the broker and click **Rename**. The **Rename Broker** dialog is displayed.
3. In the **New name** field, type the new name of the broker.  
The name must be exactly the same name as that specified on the **mqsicreatebroker** command.
4. Click **Finish** to rename the broker.

The broker’s name is updated in the Domains view, and in the Topology editor.

## Removing a broker from a broker domain

### Before you start:

You must complete the following task:

- “Adding a broker to a broker domain” on page 250

Removing a broker from a broker domain deletes its broker reference in the configuration repository. The broker is not deleted from the system when you perform this task; it simply marks the broker as logically deleted from the configuration repository.

If you want to move a broker from one topology to another, you need to delete and recreate the broker physically (using the **mqsdeletebroker** and

`mqsicreatebroker` commands) even if the Configuration Manager in both domains are at the same product and service release level. See “Deleting a broker” on page 240 for further information.

The following steps show you how to remove a broker from a broker domain.

1. Switch to the Broker Administration perspective.
2. In the Domains view, expand the broker domain to reveal the broker that you want to remove.

To remove more than one broker from the same broker domain, select each broker while holding down the Ctrl key.

3. Right-click the broker and click **Delete**.
4. Click **OK** at the prompt to confirm that you want to remove the broker from the broker domain.
5. You are, by default, prompted to deploy the updated publish/subscribe topology configuration.

You only need to deploy the topology if you are using publish/subscribe and want to share publications or subscriptions.

If you are *not* using publish/subscribe, click **None**, as a deployment is not necessary.

You can set user preferences so that you are not prompted to deploy the publish/subscribe topology. Instead, you can choose for either a complete or delta deployment to be performed automatically. Alternatively, if you are not using publish/subscribe, you might prefer to set the preference so that *no* automatic deployment takes place.

The broker and its execution groups are removed as components of the broker domain. Confirmation of the broker’s deletion is in two places:

- The broker is removed from the Domains view.
- The broker icon is removed from the Broker Topology editor. If the broker was connected to another broker, this connection is also removed.

To delete the physical broker after you have removed the broker from the domain, refer to “Deleting a broker” on page 240.

## Removing deployed children from a broker

Remove the deployed children from a broker if the synchronization between the broker and the Configuration Manager falls into an inconsistent state. Removing deployed children from a broker removes all message flows, message sets, and all other deployed objects from all execution groups on the selected broker. All execution groups are deleted. A new default execution is then created for the broker.

Although these objects are all removed from the broker, they are still available in the file system and toolkit, and can be reused if required.

To remove the deployed children from a broker:

1. Switch to the Broker Administration perspective.
2. Expand the broker domain, in the Domains view, to reveal the broker you want to work with.
3. Right-click the broker, and click **Remove Deployed Children**.

4. Click **OK** at the prompt to confirm that you want to delete all execution groups on the broker.

This removes all message flows and message sets from all execution groups, and deletes all execution groups. An automatic broker configuration deployment is immediately performed for the broker to save the changes.

A BIP08921 information message is displayed, to show that the request was received by the Configuration Manager. Verify the results of the deployment by opening the Event Log.

## Adding an execution group to a broker in the workbench

Use the workbench to add execution groups to a broker.

### Before you start:

- Add the broker to the broker domain
- Connect to the broker domain

When you create a broker, it has a default execution group. If you want additional execution groups, you must create them explicitly.

The mode that your broker is working in can affect the number of execution groups that you can use; see “Restrictions that apply in each operation mode” on page 364.

You can use one of three methods to complete this task:

- The workbench
- The `mqsicreateexecutiongroup` command
- The CMP API

This task describes the first method. If you prefer, you can create an execution group using the command line; see “Adding an execution group to a broker using the command line” on page 187. For information about the CMP API, see Developing applications that use the Configuration Manager Proxy Java API.

To add an execution group to a broker:

1. Switch to the Broker Administration perspective.
2. In the Domains view, expand the default configuration manager.
3. Right-click **Broker Topology**, and click **New** → **Execution Group**.
4. In the Create an Execution Group wizard:
  - a. Select the broker to which you want to add the execution group.

If the selected broker domain is not connected, a Confirm Connection dialog box prompts you to connect to the domain. If you click **OK**, the domain is connected and populated with the defined brokers. If you click **Cancel** at this prompt, the wizard remains open.
  - b. Enter the **Execution Group name**.
  - c. Select the **Processor Architecture** for this execution group to specify if the execution group process runs as a 32-bit or 64-bit application. Choose one of the following three options:
    - Default. The execution group is created to run in 32-bit mode for systems that support only 32-bit mode, and 64-bit mode for all other systems (64-bit mode only or both modes).

- 32 bit. The execution group is created to run in 32-bit mode.
- 64 bit. The execution group is created to run in 64-bit mode.

Do not set a processor architecture that is not supported on the target broker computer. For details of the support on each operating system, see *Support for 32-bit and 64-bit platforms*.

If you create a 64-bit execution group, the broker's queue manager must also operate in 64-bit mode. All WebSphere MQ Version 6 queue managers on 64-bit platforms run in 64-bit mode.

To change the default value for this option, which is initially set to Default, click **Window** → **Preferences** → **Broker Administration** and update the setting for *Execution Group Platform Processor Architecture*.

5. Click **Next**.
6. Optional: Enter a short or long description for the execution group.
7. Click **Finish** to add the execution group to the broker.

In the Domains view, the execution group is added to the appropriate broker.

## Copying an execution group

You can copy an existing execution group from a broker to another broker within the same broker domain.

### Before you start:

You must complete the following tasks:

- “Adding an execution group to a broker in the workbench” on page 255
- “Adding a broker to a broker domain” on page 250

The new execution group inherits the same short and long description as the original execution group, and is automatically given a new name. The new execution group does not inherit any other properties of the original execution group. The message flows in the original execution group are not copied to the new execution group.

The mode that your broker is working in can affect the number of execution groups that you can use; see “Restrictions that apply in each operation mode” on page 364.

To copy an execution group:

1. Switch to the Broker Administration perspective.
2. In the Domains view, right-click the name of the execution group that you want to copy, then click **Copy**.
3. Right-click the name of the broker to which you want to copy the execution group, then click **Paste**. The broker must be in the same broker domain as the original execution group.

A copy of the execution group is created on the broker; the new execution group has a unique name.

## Modifying execution group properties

You can add a long or short description to an execution group. This can be an execution group that you have added to the broker, or the default execution group.



The following steps show you how to modify execution group properties.

1. Switch to the Broker Administration perspective.
2. In the Domains view, right-click the execution group broker that you want to modify, and click **Properties**. The **Execution Group Properties** dialog is displayed.
3. Add a long or short description to the execution group.
4. Click **OK** to add the description.

## Renaming an execution group

### Before you start:

You must complete the following task:

- “Adding an execution group to a broker in the workbench” on page 255

You can rename any execution group that you have added to a broker.

To rename an execution group:

1. Switch to the Broker Administration perspective.
2. In the Domains view, right-click the execution group and click **Rename**. The **Rename Execution Group** dialog is displayed.
3. In the **New name** field, type the new name of the execution group.
4. Click **Finish**.
5. Deploy a BAR file to the execution group to apply the change to the execution group. You can use any valid BAR file to do this. For more information about deploying BAR files, see *Deploying a broker archive file*. If you do not deploy a BAR file to the execution group, the changes that you made in the Message Broker Toolkit are not applied to the runtime execution group.

The name of the execution group is updated in the Domains view.

## Deleting an execution group

### Before you start:

You must complete the following task:

- “Adding an execution group to a broker in the workbench” on page 255

You can delete an execution group from the broker to which it belongs.

A broker must always have at least one execution group; you cannot delete the last group belonging to a broker.

Instead of employing this method, you can delete an execution group using the command line; see “Deleting an execution group from a broker using the command line” on page 239.

The following steps show you how to delete an execution group from a broker.

1. Switch to the Broker Administration perspective.
2. In the Domains view, expand the appropriate broker domain to reveal the execution group that you want to delete.

To delete more than one execution group from the same broker domain, select each execution group while holding down the Ctrl key.

3. Right-click the execution group and click **Delete**.
4. Click **OK** at the prompt to confirm that you want to delete the execution group from the broker.

An automatic broker configuration deploy is immediately performed for the broker parent.

A BIP08921 information message is displayed to show that the request was received by the Configuration Manager. Verify the results of the deployment by opening the Event Log.

No message flows or message sets are deleted from the development workspace. The execution group and its assigned message flows and message sets are deleted from the Domains view. However, the messages flows and message sets remain in the Broker Administration Navigator view.

Their assignment reference to the execution group is removed from the configuration repository.

## Removing deployed children from an execution group

Removing deployed children from an execution group removes all message flows, message sets and all other deployed objects. These are deleted from the execution group, although they are still available in the file system and toolkit.

To remove the deployed children from a broker:

1. Switch to the Broker Administration perspective.
2. In the Domains view, expand the broker domain to reveal the execution group with which you want to work.
3. Right-click the execution group, and click **Remove Deployed Children**.
4. Click **OK** at the prompt to confirm that you want to remove all message flows and message sets from the execution group.

An automatic broker configuration deploy is immediately performed for the broker parent.

A BIP08921 information message is displayed to show that the request was received by the Configuration Manager. Verify the results of the deployment by opening the Event Log.

---

## Configuring a publish/subscribe topology

Create and configure the resources that are required to develop a topology for your publish/subscribe applications and brokers.

Follow the information in this section to create a publish/subscribe topology that is controlled by the broker. The broker publish/subscribe engine must be enabled for this configuration to be valid. If you have installed WebSphere MQ Version 7.0, and have decided to enable the queue manager's publish/subscribe engine, this information here is not appropriate. Refer to WebSphere MQ Version 7.0 documentation for configuration details.

To configure a publish/subscribe topology in the broker domain:

1. Design and configure your broker domain.

- For further information, refer to “Planning a broker domain” on page 95 and “Configuring broker domain components” on page 173
2. Define the topic trees that you require.  
For further information, refer to Topics and “Adding a new topic” on page 275.
  3. Decide which security options to use.  
For further information, refer to “Publish/subscribe security” on page 75 and “Securing the publish/subscribe domain” on page 84.

## Setting up the broker domain for publish/subscribe

Refer to the following topics:

- “Creating a broker” on page 174
- “Modifying a broker” on page 227
- “Adding a broker to a broker domain” on page 250
- “Configuring broker domain components” on page 173

### Publish/subscribe topologies

A *publish/subscribe topology* consists of the brokers, the collectives, and the connections between them, that support publish/subscribe applications in the broker domain.

A publish/subscribe application can consist of a network of brokers connected together. The brokers can all be on the same physical system, or they can be distributed over several physical systems. By connecting brokers together, publications can be received by a client on any broker in the network.

This provides the following benefits:

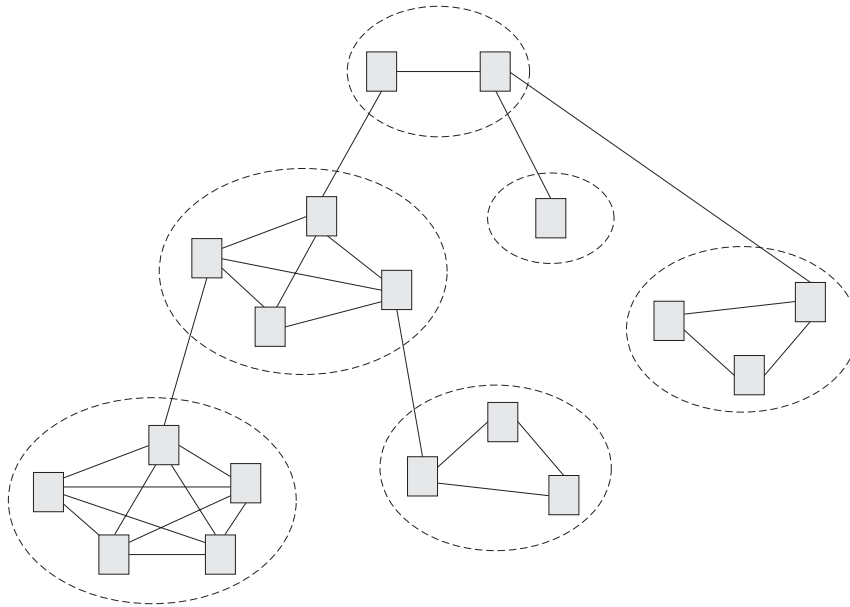
- Client applications can communicate with a nearby broker rather than with a distant broker, thereby getting better response times.
- By using more than one broker, more subscribers can be supported.

Publications are sent only to brokers that have subscribers that have expressed an interest in the topics being published. This helps to optimize network traffic.

**Broker networks:** There are three ways of connecting brokers together to make a broker domain:

- Brokers can be simply joined together.
- Brokers can be grouped together into collectives, where a collective is a set of one or more brokers that are directly connected to each other.
- Collectives can be joined together; this is a combination of the previous two ways of grouping brokers together.

The following diagram shows a network of six collectives.

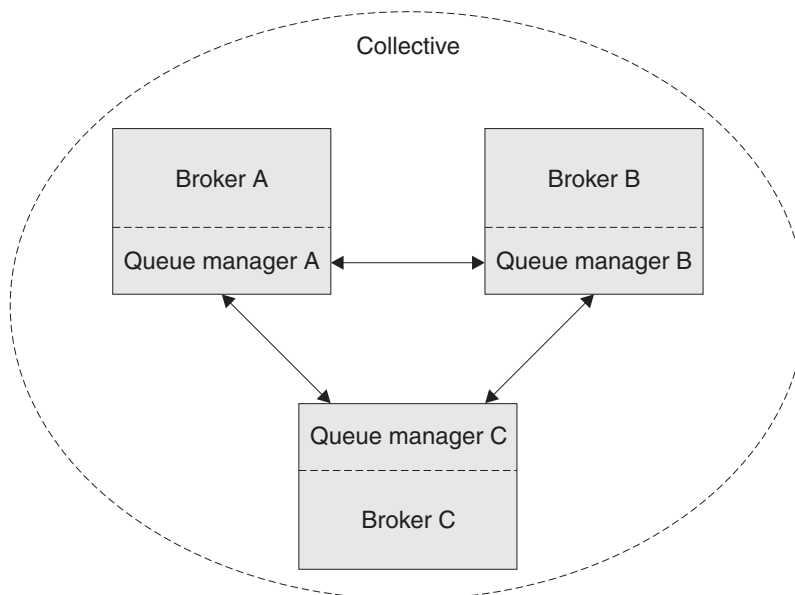


**Collectives:** A *collective* is a set of brokers that are fully interconnected and form part of a multi-broker network for publish/subscribe applications.

A broker cannot belong to more than one collective. Brokers within the same collective can exist on physically separate computers. However, a collective cannot span more than one broker domain.

Each pair of broker queue managers must be connected together by a pair of WebSphere MQ channels.

The following figure shows a simple collective of three brokers:



A collective provides the following benefits:

- Messages destined for a specific broker in the same collective are transported directly to that broker and do not need to pass through an intermediate broker.

This improves broker performance and optimizes inter-broker publish/subscribe traffic, in comparison with a hierarchical tree configuration.

- If your clients are geographically dispersed, you can set up a collective in each location, and connect the collectives (by joining a single broker in each collective) to optimize the flow of publications and subscription registrations through the network.
- You can group clients according to the shared topics that they publish and to which they subscribe.

Clients that share common topics can connect to brokers within a collective. The common publications are transported efficiently within the collective, because they pass through only brokers that have at least one client with an interest in those common topics.

- A client can connect to its nearest broker, to improve its own performance. The broker receives all messages that match the subscription registration of the client from all brokers within the collective.

The performance of a client application is also improved for other services that are requested from this broker, or from this broker's queue manager. A client application can use both publish/subscribe and point-to-point messaging.

- The number of clients per broker can be reduced by adding more brokers to the collective to share workload within that collective.

When you create a collective, the workbench ensures that the connections that you make to other collectives and brokers are valid. You are prevented from making connections that would cause messages to cycle forever within the network. You are also prevented from creating a collective of brokers that does not have the required WebSphere MQ connections already defined.

The queue manager of each broker in a collective must connect to every other queue manager in the collective by a pair of WebSphere MQ channels.

Each broker in the collective maintains a list of its neighbors.

A neighbor can be one of the following:

- a broker in the same collective
- a broker outside its collective to which it has an explicit connection; that is, for which it is acting as a gateway

The complete list of neighboring brokers forms a broker's neighborhood.

**Multicast publish/subscribe:** In a publish/subscribe system there are client applications, some of which are publishers and some of which are subscribers, that are connected to a network of message brokers that receive publications on a number of topics, and send the publications on to the subscribers for those topics.

Normally, a separate message is sent to each subscriber of a publication. However, with *multicast*, regardless of how many subscribers to a topic there are on a subnet, only one message is sent. This improves network utilization.

The more subscribers there are in your publish/subscribe system, the greater the improvement to network utilization there might be if you use multicast.

The subscriber must be a JMS client if you want to use Multicast publish/subscribe.

To use multicast, you must change some of the properties of the broker. Some of these properties apply to specific topics, but some properties apply to all Multicast messages that are controlled by that broker.

For each topic, you can define whether the topic can be multicast, and the IP address to which Multicast messages are sent.

You can also change those properties in the broker that define, for example, the following things:

- The multicast protocol type
- The port that is used for Multicast messages
- A 'Time To Live (TTL)' setting that determines how far from its source a Multicast packet can be sent
- The size of a Multicast packet
- Whether there is a maximum transmission rate and, if there is, its value
- What interface to use for Multicast transmissions

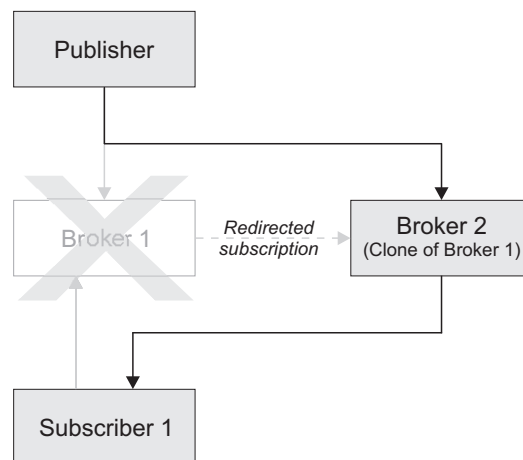
These properties apply to all Multicast messages.

**Cloned brokers:** A *cloned broker* is a broker for which you have defined one or more clones; the subscription table of a cloned broker is replicated to all other brokers with which it is cloned.

When a subscriber requests a subscription from a cloned broker, the subscription is also sent to each of the clones of that broker.

Use cloned brokers to improve the availability of your publish/subscribe system. By defining cloned brokers on different computers, you make sure that a publication is delivered to a subscriber even when one of the computers is unavailable.

The diagram shows what happens when Subscriber 1 sends a subscription to Broker 1, but Broker 1 becomes unavailable; because Broker 1 and Broker 2 have been defined as clones, the subscription is redirected to Broker 2 and Subscriber 1 gets the publication from Broker 2 instead of Broker 1.



If two brokers are clones within a collective, duplicate messages might be sent to subscribers that are registered with brokers inside that collective.

Use the `mqschangeproperties` command to define cloned brokers; the property `clonedPubSubBrokerList` is used to do this.

### **Migrated topologies:**

If you have a WebSphere MQ Publish/Subscribe broker network, you can continue to use this network unchanged.

The introduction of WebSphere Message Broker to your environment, and the creation of brokers in that broker domain, does not affect your WebSphere MQ Publish/Subscribe broker domain until you take specific action to connect the two networks.

If you want to have two separate, independent networks, you do not have to do anything. You can retain your existing WebSphere MQ Publish/Subscribe network, and install and configure a WebSphere Message Broker network, without any interaction.

*Heterogeneous networks:* A *heterogeneous network* is a network of brokers, some of which form a WebSphere MQ Publish/Subscribe network and some of which belong to the WebSphere Message Broker product.

With the WebSphere Message Broker product, there are two ways in which a broker can be joined to the WebSphere MQ Publish/Subscribe network; it can be joined as a leaf node or as a parent node.

*Leaf node:* When a broker is joined as a leaf node, it is joined as a child broker of another broker in the WebSphere MQ Publish/Subscribe network.

Adding the broker as a leaf node rather than as a parent node causes the new broker to receive only some of the WebSphere MQ Publish/Subscribe message traffic that is directed to the brokers for which this new broker is a child broker.

*Parent node:* When a broker is joined as a parent node, it is joined as a parent broker of one or more brokers in the WebSphere MQ Publish/Subscribe network.

Adding the broker as a parent node rather than as a leaf node causes the new broker to receive all the WebSphere MQ Publish/Subscribe message traffic that is directed to the child brokers for which this new broker is the parent broker.

## **Changing Broker Topology editor properties**

After you have launched the Broker Topology editor in the editor area, you can change or remove the default background image displayed in the editor area.

The following steps show you how to change the properties of the Broker Topology editor.

1. Switch to the Broker Administration perspective.
2. In the **Domains** view, expand the appropriate broker domain to display its contents.
3. Double-click **Broker Topology** to launch the Broker Topology editor.
4. Right-click the editor, then click **Properties** to display the Broker Topology editor properties.

5. On the **Editor** page, you can change the background image file, and modify its scale factor in a range of 1 to 5. The default value is 3. Alternatively, you can choose to not display a background image.
6. Optional: On the **Description** page, you can provide a description for the background image file.
7. Click **OK** to save your changes and close the Properties dialog.

Any changes you made to the background image are displayed when the Properties dialog closes.

## Connecting brokers in a collective

A *collective* is a set of brokers that are fully interconnected and form part of a multi-broker network for publish/subscribe applications.

You connect brokers in a collective by using either the Message Broker Toolkit or the Configuration Manager Proxy Java API. This topic describes how to use the Message Broker Toolkit.

For information about how to use the Configuration Manager Proxy (CMP), see *Developing applications using the CMP and Class com.ibm.broker.config.proxy.CollectiveProxy*.

The following steps show you how to connect brokers in a collective.

1. Define the WebSphere MQ channels between the queue managers of each pair of the brokers in the collective; use the standard WebSphere MQ facilities (for example, WebSphere MQ Explorer).
2. Assign the brokers as members of the collective using the Broker Topology editor in the workbench; the brokers do not have to be connected together using the connect function.

**Tip:** Compare the use of collectives with the use of WebSphere MQ cluster queues, as described in *Developing applications using the CMP*.

## Deleting a collective

You can delete a collective by using either the Message Broker Toolkit or the Configuration Manager Proxy Java API. This topic describes how to use the Message Broker Toolkit.

For information about how to use the Configuration Manager Proxy (CMP), see *Developing applications using the CMP and Class com.ibm.broker.config.proxy.CollectiveProxy*.

The following steps show you how to delete a collective.

1. Switch to the Broker Administration perspective.
2. In the Domains view, expand the appropriate broker domain.
3. Double-click the Topology item to open the Broker Topology editor.
4. Right-click the collective that is to be deleted and select **Delete**, or select the collective that is to be deleted and press the **Delete** key, or select **Delete** from the **Edit** menu.

The collective is deleted locally, but the delete operation is not completed until you save or close the editor.



## Connecting a broker to a collective

You can connect a broker to a collective using either the Message Broker Toolkit or the Configuration Manager Proxy Java API. This topic describes how to use the Message Broker Toolkit.

For information about how to use the Configuration Manager Proxy (CMP), see *Developing applications using the CMP and Class com.ibm.broker.config.proxy.CollectiveProxy*.

The following steps show you how to connect a broker to a collective.

1. Switch to the Broker Administration perspective.
2. In the Domains view, expand the appropriate broker domain.
3. Double-click the Topology item to open the Broker Topology editor.
4. In the Broker Topology editor, click the Connection tool.
5. Click the broker to be connected and then click the collective that you want to connect the broker to.

The connection is added locally, but the connection is only effective after you have saved, or closed the editor.

## Removing a broker from a collective

You can remove a broker from a collective using either the Message Broker Toolkit or the Configuration Manager Proxy Java API. This topic describes how to use the Message Broker Toolkit.

For information about how to use the Configuration Manager Proxy (CMP), see *Developing applications using the CMP and Class com.ibm.broker.config.proxy.CollectiveProxy*.

The following steps show you how to remove a broker from a collective.

1. Switch to the Broker Administration perspective.
2. In the Domains view, expand the appropriate broker domain.
3. Double-click the Topology item to open the Broker Topology Editor.
4. Right-click the connection that you want to delete and select Delete.

## Setting up a multicast broker

Set up a multicast broker either by using the workbench or by using the Configuration Manager Proxy Java API. This topic describes how to use the workbench.

Before you can use multicast, you must define the topics that are capable of being multicast. See "Making topics multicast" on page 271.

For information about how to use the Configuration Manager Proxy (CMP), see *Developing applications that use the Configuration Manager Proxy Java API and Class com.ibm.broker.config.proxy.BrokerProxy.MulticastParameterSet*.

To enable a broker to handle multicast requests:

1. Switch to the Broker Administration perspective.
2. In the Domains view, expand the appropriate broker domain.
3. Double-click the Topology item to open the Broker Topology editor.

4. In the Broker Topology editor, right-click the broker that you want to modify, and select **Properties**.
5. In the left pane of the properties window, select **Multicast**.
6. Select **Multicast Enabled**.
7. Select **Multicast IPv6 Support Enabled** if you want to use IPv6. If you do not select **Multicast IPv6 Support Enabled**, the IPv6 properties are not available.
8. Optional: Modify the following properties; any properties that are not modified take the default value.

#### **IPv4 Minimum Address**

The lowest IPv4 address that the broker can use for its multicast transmissions.

This address must be in the range 224.0.0.0 through 239.255.255.255

The default value is 239.255.0.0

#### **IPv4 Maximum Address**

The highest IPv4 address that the broker can use for its multicast transmissions.

This address must be in the range 224.0.0.0 through 239.255.255.255 and must not be lower than the value of the Minimum Address.

The default value is 239.255.255.255

#### **IPv4 Broker Network Interface**

The name of the network interface over which multicast packets are transmitted. This name is relevant only when the broker is running on a host with more than one network interface.

This name can be a host name or an IPv4 address.

The default value is None. If you select the default value, the network interface used is operating system dependent.

#### **IPv6 Minimum Address**

The lowest IPv6 address that the broker can use for its multicast transmissions.

This address must be in the range ff02:0:0:0:0:0:1 through ff02:ffff:ffff:ffff:ffff:ffff:ffff

The default value is ff02:0:0:0:0:0:1

#### **IPv6 Maximum Address**

The highest IPv6 address that the broker can use for its multicast transmissions.

This address must be in the range ff02:0:0:0:0:0:1 through ff02:ffff:ffff:ffff:ffff:ffff:ffff and must not be lower than the value of the Minimum Address.

The default value is ff02:ffff:ffff:ffff:ffff:ffff:ffff

#### **IPv6 Broker Network Interface**

The name of the network interface over which multicast packets are transmitted. This name is relevant only when the broker is running on a host with more than one network interface.

This name can be a host name or an IPv6 address.

The default value is None. If you select the default value, the network interface used is operating system dependent.

**Protocol Type**

The multicast protocol type.

Valid values are PTL, PGM/IP, and UDP encapsulated PGM.

The default value is PTL.

For more information, see “Multicast protocol types” on page 271.

**Data Port**

The UDP data port through which multicast packets are sent and received.

The default value is 34343.

**Broker Packet Size**

The size, in bytes, of multicast packets.

This size must be in the range 500 through 32000.

The default value is 7000.

**Broker Heartbeat Timeout**

The broker sends a control packet periodically, approximately every second, to each client. This packet is used to send control information, and to keep the heartbeat. The heartbeat timeout value is made known to the clients to help the clients detect a transmitter or network failure. If a control packet does not arrive within a number, defined as twice the value specified by this property, of seconds of the previous control packet’s arrival, a client can suspect that there has been a transmitter failure or a network failure.

The default value is 20.

**Broker Multicast TTL**

The maximum number of hops that a multicast packet can make between the client and the broker. This value is one more than the maximum number of routers that there can be between the client and the broker.

The default value is 1, indicating that the multicast packet must remain local to its originator and does not pass through any routers. The maximum value is 255.

Do not use a value of 0. In some operating systems using a value of 0 might prevent messages from being received, but in other operating systems (for example, Windows 2003, Windows XP, and Linux), a value of 0 does not have this effect.

**Overlapping Multicast Topic Behavior**

Valid values are Accept, Reject, or Revert.

The default value is Accept.

The *Overlapping Multicast Topic Behavior* property controls the behavior of the broker when a client requests a multicast subscription for a topic that is part of a topic hierarchy containing topics that are explicitly disabled for multicast.

For example, consider a topic hierarchy where multicast is a topic with two children, *foo* that is enabled for multicast, and *bar* that is not enabled for multicast.

The three possible settings are:

**Accept**

The default value. A matching multicast subscription is

accepted and all publications matching the topic, except those that are specifically excluded, are multicast. In the preceding example, a multicast subscription to *multicast/#* receives messages published on *foo* over multicast, but does not receive any messages published on *bar*.

**Reject** A multicast subscription to a topic with children that are disabled for Multicast is rejected by the broker. Subscriptions to *multicast/#* are rejected.

**Revert** Subscriptions to a topic that is disabled for multicast, or has children that are disabled for multicast, result in unicast transmission. A multicast subscription to *multicast/#* receives messages published on *foo* and *bar*, but the messages are sent unicast rather than multicast.

### Maximum Key Age

The maximum age, in minutes, of a topic encryption key before it must be redefined.

The default value is 360.

9. Optional: In the left pane of the properties window, expand Multicast and click **Advanced**. You can now modify the following additional properties:

### Broker Transmission Rate Limit Activation

Use the *Broker Transmission Rate Limit Activation* property in conjunction with *Broker Transmission Rate Limit Value* to control network congestion. Select one of the following values from the menu:

#### Disabled

The default value. Multicast data is transmitted as fast as possible. If the rate at which messages are submitted to be multicast exceeds the server or network limits (that is, the speed of Ethernet or the host CPU becomes the bottleneck), these limits define the maximum transmission rate, and message submissions are stopped until all previously submitted messages have been sent.

**Static** The transmission rate is limited by the value that is specified in *Broker Transmission Rate Limit Value*.

If you select Static, you can also select a value for the property *Broker Transmission Rate Limit Value*.

#### Dynamic

The limit on the transmission rate can vary during run time, depending on congestion conditions and data losses reported by clients. However, the rate never exceeds the *Broker Transmission Rate Limit Value*.

### Broker Transmission Rate Limit Value

Limits the overall transmission rate, in kilobits per second, of multicast packets. This parameter is effective only if the *Broker Transmission Rate Limit Activation* property is Static. This property must not exceed the capabilities of the server or network.

This value must be in the range 10 through 1000000.

### Client NACK Back Off Time

The maximum time, in milliseconds, that a client listens for another clients NACKs before sending its own NACK.

This value must be in the range 0 through 1000.

The default value is 100.

#### **Client NACK Check Period**

The time, in milliseconds, between periodic checks of reception status and sequence gap detection for NACK building.

This value must be in the range 10 through 1000.

The default value is 300.

#### **Client Packet Buffer Number**

The number of memory buffers that are created at startup for packet reception. Having a high number of buffers available improves the reception performance and minimizes packet loss at high delivery rates, but requires increased memory use. Each buffer is 33 KB; The default value of 500 buffers uses approximately 15 MB of main memory.

If memory use is important, try using different values for this property and look at the effect on the overall performance of your application when transmission rates are high.

This value must be in the range 1 through 5000.

The default value is 500.

#### **Client Socket Buffer Size**

The size, in kilobytes, of the client's socket receiver buffer. Increasing this value reduces the number of data packets that might be dropped by the client receiver.

This value must be in the range 65 through 10000.

The default value is 3000.

#### **Broker History Cleaning Time**

The time, in seconds, that is defined for cleaning the retransmission buffer.

This value must be in the range 1 through 20.

The default value is 7.

This property is not used in Version 6,0.

#### **Broker Minimal History Size**

The minimum size, in kilobytes, of a buffer that is allocated to archive all transmitted packets. This buffer is shared by all reliable topics, and can be used to recover lost packets.

This value must be in the range 1000 through 1000000.

The default value is 60000.

#### **Broker NACK Accumulation Time**

The time, in milliseconds, that NACKs are aggregated in the broker before recovered packets are sent.

This value must be in the range 50 through 1000.

The default value is 500.

#### **Maximum Client Memory Size**

The maximum amount of memory, in kilobytes, that can be used by reception buffers in the client.

This property is applicable only to PGM multicast protocols.

The default value is 262144 which represents 256 MB.

**Important:** Be aware that by increasing the value of a property, for example *Broker Minimal History Size*, you increase the amount of memory that is required by the Java Virtual Machine (JVM). This increase might cause a JVM Out of Memory error when a subscription to the broker is attempted for the first time after this change. If this error occurs, either increase your JVM heap size, or reduce the value of the property (for example, *Broker Minimal History Size*) that you have just increased.

10. Click **OK**.

11. Restart the broker for the changes that you have made to take effect.

The preferred way to change the broker's multicast configuration is to use the workbench. However, you can also use the command `mqsichangeproperties` to change the broker's properties.

**Warning:** Any changes to the broker configuration that you make on the `mqsichangeproperties` are overwritten with the configuration that is held in the Configuration Manager whenever the broker configuration is deployed.

The following table relates the preceding properties to the corresponding names of the parameters on the `mqsichangeproperties` command that support multicast. For full details of this command, see the "mqsichangeproperties command" on page 432.

Property name	mqsichangeproperties parameter
Multicast Enabled	multicastEnabled
IPv4 Minimum Address	multicastMinimumIPv4Address
IPv4 Maximum Address	multicastMaximumIPv4Address
IPv4 Broker Network Interface	multicastMulticastInterface
Multicast IPv6 Support Enabled	Not required
IPv6 Minimum Address	multicastMinimumIPv6Address
IPv6 Maximum Address	multicastMaximumIPv6Address
IPv6 Broker Network Interface	multicastMulticastInterface
Protocol Type	multicastProtocolType
Data Port	multicastDataPort
Broker Packet Size	multicastPacketSizeBytes
Broker Heartbeat Timeout	multicastHeartbeatTimeoutSec
Broker Multicast TTL	multicastMCastSocketTTL
Overlapping Multicast Topic Behavior	multicastOverlappingTopicBehavior
Maximum Key Age	multicastMaxKeyAge
Broker Transmission Rate Limit Activation	multicastLimitTransRate
Broker Transmission Rate Limit Value	multicastTransRateLimitKbps
Client NACK Back Off Time	multicastBackoffTimeMillis
Client NACK Check Period	multicastNackCheckPeriodMillis
Client Packet Buffer Number	multicastPacketBuffers

Property name	mqsichangeproperties parameter
Client Socket Buffer Size	multicastSocketBufferSizeKbytes
Broker History Cleaning Time (deprecated in V6)	Not applicable
Broker Minimal History Size	multicastMinimalHistoryKBytes
Broker NACK Accumulation Time	multicastNackAccumulationTimeMillis
Maximum Client Memory Size,	multicastMaxMemoryAllowedKBytes

To enable multicast for the broker WBRK\_BROKER use the following command:

```
mqsichangeproperties WBRK_BROKER -o DynamicSubscriptionEngine -n multicastEnabled -v true
```

This command enables the broker for multicast, but does not change any other properties of the broker.

To enable multicast for the broker WBRK\_BROKER, and to restrict the transmission rate to 50 000 kilobits per second, use the following command:

```
mqsichangeproperties WBRK_BROKER -o DynamicSubscriptionEngine -n multicastEnabled,
multicastLimitTransRate,multicastTransRateLimitKbps -v true,Static,50000
```

None of the other properties of the broker are changed.

Use commas to separate the properties that are being changed, and their values.

For the changes to be effective, restart the broker.

**Multicast protocol types:** WebSphere Message Broker supports two different types of multicast protocol:

- PTL (Packet Transfer Layer)
- PGM (PGM/IP and PGM UDP encapsulated)

PTL provides compatibility with WebSphere Business Integration Message Broker Version 5.0, where it is the only multicast protocol that is supported. For new multicast deployments, use one of the two PGM multicast protocols.

The broker supports two implementations of the PGM multicast protocol, PGM/IP and PGM UDP encapsulated. The complexity of your network topology affects which option you choose:

- If your network topology consists of two or more subnets with many receiver clients in each subnet, use PGM/IP. PGM/IP takes advantage of PGM router assist support.
- For a simpler network topology, use the PGM UDP encapsulated implementation, which does not use PGM router assist.

**Important:** To use PGM/IP, both the broker and the client applications must run with superuser authority. Because of the security risks that are associated with running with superuser authority, do not run any other work on the broker.

### Making topics multicast:

To make individual topics, or groups of topics, capable of being multicast you need to make changes to the topic hierarchy.

To make changes to the topic hierarchy:

1. Switch to the Broker Administration perspective.
2. In the Domains view, expand the appropriate broker domain.
3. Double-click Topics to open the Topics Hierarchy editor.
4. In the Topics Hierarchy editor, right-click the topic, or group of topics, that you want to make capable of being multicast, and select Properties.
5. In the left panel of the Properties for Topics window, select **Multicast**.
6. Select **Enabled** for the topic root, or child topic root, in the *Multicast* property that you want to enable:  
  
For the topic root, the options are either Enabled or Disabled. The default is Disabled.  
  
For a child topic root, the options are Inherit, Enabled, or Disabled. The default is Inherit.
7. **Automatic Multicast IPv4 Address** is selected by default. If you clear **Automatic Multicast IPv4 Address** you must type in the name of the *IPv4 MC Group Address*. This property is mandatory.
8. **Automatic Multicast IPv6 Address** is cleared by default. You can type in the name of the *IPv6 MC Group Address*.
9. Optional: Select **Encrypted**.
10. Select the *Quality of Service* that you require. The options are Reliable or Unreliable. The default is Reliable.
11. Click **OK**.

### Handling high-volume publish/subscribe activity on z/OS:

Brokers that handle large numbers of retained subscriptions or publications can use up all the IRLM storage that is allocated by default for DB2 locks. Using up all the IRLM storage might cause problems when you try to restart the broker.

The following actions might prevent you from using up all the IRLM storage and thereby avoid problems when you try to restart the broker:

1. Tune the publish/subscribe topology:
  - a. Balance execution groups across more brokers; by balancing execution groups across more brokers, you cause fewer execution groups to require to start at the same time and to have concurrent locks for the same DB2 subsystem.
  - b. Put the brokers in publish/subscribe collectives; by putting the brokers in collectives, you reduce the number of subscriptions in a single broker table, and also reduce the amount of concurrent access to DB2. See "Publish/subscribe topologies" on page 259 for more information.
2. Increase the IRLM storage that is available:
  - a. Set the value of MAXCSA so high that the ECSA that is required by the IRLM never reaches this value. Because IRLM gets storage only when it needs it, choose a value that is higher than you expect IRLM to require.
  - b. If you are unable to choose a value of MAXCSA that is sufficiently high that it cannot be exceeded by the ECSA that is required by the IRLM, use the option PC=YES on the START irlmproc command. By using this option, you cause the IRLM to place in its private address space the control block structures that relate to locking. See the DB2 information center (z/OS) (Versions 8 and 9) for more information.

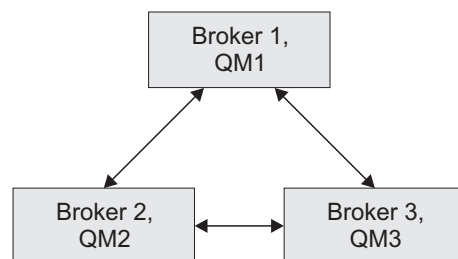


**Note:** There might be a slight (approximately 1 to 2 percent) performance degradation when you use the PC=YES option on the START irlmproc command.

## Setting up cloned brokers

Each broker that is to be cloned with other brokers must be told which brokers are to be its clones.

- **Windows** **Linux** **UNIX** To set up three brokers (broker1 with queue manager QM1, broker2 with queue manager QM2, and broker3 with queue manager QM3) to be clones of each other, as shown in the diagram below, use the `mqsichangeproperties` command for each of the brokers:
  1. `mqsichangeproperties broker1 -e default -o DynamicSubscriptionEngine -n clonedPubSubBrokerList -v \"broker2,QM2,broker3,QM3\"`
  2. `mqsichangeproperties broker2 -e default -o DynamicSubscriptionEngine -n clonedPubSubBrokerList -v \"broker1,QM1,broker3,QM3\"`
  3. `mqsichangeproperties broker3 -e default -o DynamicSubscriptionEngine -n clonedPubSubBrokerList -v \"broker1,QM1,broker2,QM2\"`
- **z/OS** To set up three brokers (broker1 with queue manager QM1, broker2 with queue manager QM2, and broker3 with queue manager QM3) to be clones of each other, as shown in the diagram below, use the `mqsichangeproperties` command for each of the brokers:
  1. `mqsichangeproperties broker1 -e default -o DynamicSubscriptionEngine -n clonedPubSubBrokerList -v "broker2,QM2,broker3,QM3"`
  2. `mqsichangeproperties broker2 -e default -o DynamicSubscriptionEngine -n clonedPubSubBrokerList -v "broker1,QM1,broker3,QM3"`
  3. `mqsichangeproperties broker3 -e default -o DynamicSubscriptionEngine -n clonedPubSubBrokerList -v "broker1,QM1,broker2,QM2"`



## Adding a cloned broker

To add a broker to a set of cloned brokers, use the `mqsichangeproperties` command to define the brokers that are its clones, and to tell each of the other brokers that it has a new clone.

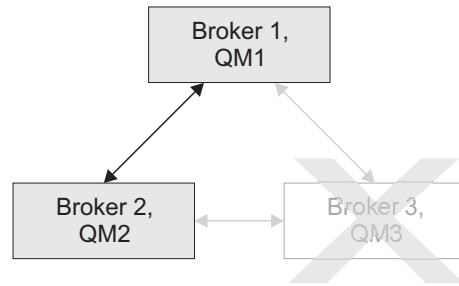
- **Windows** **Linux** **UNIX** To add broker4 (with queue manager QM4) to a set of three cloned brokers (broker1 with queue manager QM1, broker2 with queue manager QM2, and broker3 with queue manager QM3), use the following `mqsichangeproperties` commands:
  1. `mqsichangeproperties broker4 -e default -o DynamicSubscriptionEngine -n clonedPubSubBrokerList -v \"broker1,QM1,broker2,QM2,broker3,QM3\"`
  2. `mqsichangeproperties broker1 -e default -o DynamicSubscriptionEngine -n clonedPubSubBrokerList -v \"+broker4,QM4\"`

3. `mqsichangeproperties broker2 -e default -o DynamicSubscriptionEngine -n clonedPubSubBrokerList -v \"+broker4,QM4\"`
  4. `mqsichangeproperties broker3 -e default -o DynamicSubscriptionEngine -n clonedPubSubBrokerList -v \"+broker4,QM4\"`
- **z/OS** To add broker4 (with queue manager QM4) to a set of three cloned brokers (broker1 with queue manager QM1, broker2 with queue manager QM2, and broker3 with queue manager QM3), use the following **mqsichangeproperties** commands:
    1. `mqsichangeproperties broker4 -e default -o DynamicSubscriptionEngine -n clonedPubSubBrokerList -v "broker1,QM1,broker2,QM2,broker3,QM3"`
    2. `mqsichangeproperties broker1 -e default -o DynamicSubscriptionEngine -n clonedPubSubBrokerList -v "+broker4,QM4"`
    3. `mqsichangeproperties broker2 -e default -o DynamicSubscriptionEngine -n clonedPubSubBrokerList -v "+broker4,QM4"`
    4. `mqsichangeproperties broker3 -e default -o DynamicSubscriptionEngine -n clonedPubSubBrokerList -v "+broker4,QM4"`

## Deleting a cloned broker

To delete a broker from a set of cloned brokers, use the **mqsichangeproperties** command to delete the brokers that were its clones, and to tell each of the other brokers that one of its clones has been deleted.

- **Windows** **Linux** **UNIX** To delete broker3 from a set of three cloned brokers (broker1 with queue manager QM1, broker2 with queue manager QM2, and broker3 with queue manager QM3), as shown in the diagram below, use the following **mqsichangeproperties** commands:
  1. `mqsichangeproperties broker1 -e default -o DynamicSubscriptionEngine -n clonedPubSubBrokerList -v \"-broker3\"`
  2. `mqsichangeproperties broker2 -e default -o DynamicSubscriptionEngine -n clonedPubSubBrokerList -v \"-broker3\"`
  3. `mqsichangeproperties broker3 -e default -o DynamicSubscriptionEngine -n clonedPubSubBrokerList -v \\"`
- **z/OS** To delete broker3 from a set of three cloned brokers (broker1 with queue manager QM1, broker2 with queue manager QM2, and broker3 with queue manager QM3), as shown in the diagram below, use the following **mqsichangeproperties** commands:
  1. `mqsichangeproperties broker1 -e default -o DynamicSubscriptionEngine -n clonedPubSubBrokerList -v "-broker3"`
  2. `mqsichangeproperties broker2 -e default -o DynamicSubscriptionEngine -n clonedPubSubBrokerList -v "-broker3"`
  3. `mqsichangeproperties broker3 -e default -o DynamicSubscriptionEngine -n clonedPubSubBrokerList -v ""`



## Operating a publish/subscribe domain

After you have set up your publish/subscribe broker domain, you might want to create or delete topics, or view the current status of your subscriptions.

For information about how to do this, refer to the following topics:

- “Adding a new topic”
- “Deleting a topic” on page 276
- “Querying subscriptions” on page 276

### Adding a new topic

You can define a new topic explicitly by using either the Message Broker Toolkit or the Configuration Manager Proxy Java API.

This topic describes how to use the Message Broker Toolkit. For information about how to use the Configuration Manager Proxy (CMP), see *Developing applications using the CMP and Class `com.ibm.broker.config.proxy.TopicProxy`*.

You can define a new topic implicitly by sending to the message broker a Publish command that specifies the new topic.

However, to define a new topic explicitly, do the following:

1. Switch to the Broker Administration perspective.
2. In the Domains view, expand the appropriate broker domain.
3. Double-click on the Topics item to open the Topics Hierarchy editor.
4. Right-click **Topics** in the topics hierarchy that is displayed by the Topics Hierarchy Editor.
5. From the menu shown, click **Create Topic**; a topic window opens that shows the topic hierarchy.
6. In the topic hierarchy, select the topic that you want to be the parent topic of the topic that you are creating. In the lower pane of the topic window, type the name of your new topic.
7. Click **Next**; the next wizard page opens. The pane on the left of this window shows all the principals (groups and users) that are defined.
8. Select the groups and users that you want to relate to your new topic and click the > icon between the two panes of the window; the pane on the right of the window is updated with the groups and users that you have chosen.
9. For each principal selected in the right-hand pane, you can set **Publish**, **Subscribe**, and **Persistent** attributes by choosing a value from the corresponding list.

By selecting more than one principal, you can choose values for a set of principals.

10. Click **Finish** to insert the topic into the topic hierarchy and update the access control list (ACL) for the topic. The ACL is in a table with four columns that are entitled Principal, Publish, Subscribe, and Persistent. The rows of the table show the properties of each principal that is relevant to the topic.

The topic is created locally, but the change is not effective until you have saved or closed the editor.

When saving or closing the editor, you might be prompted to deploy the new topics hierarchy or the deployment might be automatic, depending on the **Perform topics deploy after change** preference.

## Deleting a topic

You can delete a topic by using either the Message Broker Toolkit or the Configuration Manager Proxy Java API.

This topic describes how to use the Message Broker Toolkit. For information about how to use the Configuration Manager Proxy (CMP), see *Developing applications using the CMP* and Class `com.ibm.broker.config.proxy.TopicProxy`.

To delete a topic:

1. Switch to the Broker Administration perspective.
2. In the Domains view, expand the appropriate broker domain.
3. Double-click **Topics** to open the Topics Hierarchy Editor.
4. In the Topics Hierarchy editor, right-click the topic that you want to delete, and select **Delete**; alternatively, select the topic that you want to delete and press the Delete key, or select Delete from the Edit menu.

The topic is deleted locally, but the delete is not effective until you do a save.

## Querying subscriptions

You can query a subscription by using either the Message Broker Toolkit or the Configuration Manager Proxy Java API.

This topic describes how to use the Message Broker Toolkit. For information about how to use the Configuration Manager Proxy (CMP), see *Developing applications using the CMP* and Class `com.ibm.broker.config.proxy.TopicProxy`.

To query a subscription:

1. Switch to the Broker Administration perspective.
2. In the **Domains** view, click **Subscriptions** from the list of domain objects shown; the Subscriptions Query Editor opens in the workbench.

You can also open the editor by double-clicking the **Subscriptions** item in the tree, or by right-clicking the **Subscriptions** item and clicking **Open**, or by clicking the **Subscriptions** item and clicking **Enter**.

3. Fill in the fields that are required to generate your subscriptions query.  
To generate your query, you might not need to fill in all the fields shown.
4. Click **Query**. The results of your query are displayed in the lower part of the edit window.

---

## Configuring global coordination of transactions (two-phase commit)

Globally coordinate message flow transactions with a WebSphere MQ queue manager to ensure the data integrity of transactions.

### Before you start:

Complete the following tasks:

- Create and configure databases
- Create a broker

On distributed platforms, the default behavior of the broker is to manage all message flow transactions using a one-phase commit approach. In many contexts this approach is sufficient, but if your business requires assured data integrity (for example, for audit reasons or for financial transactions), configure the broker's WebSphere MQ queue manager to manage the message flow transactions in a two-stage commit approach using the XA protocol standard. For more information about global coordination of transactions, see "The Transactional model" on page 278.

**z/OS** On z/OS, all transactions are globally coordinated by Resource Recovery Service (RRS), therefore the instructions in this topic do not apply. RRS must, however, be available. See "Resource Recovery Service planning on z/OS" on page 165.

To configure your system for global coordination of transactions:

1. Ensure that the databases are configured for global coordination. For information about how to perform this configuration, see "Configuring databases for global coordination of transactions" on page 121.
2. Configure the broker environment so that the broker's queue manager coordinates transactions. The steps to configure the broker environment depend on the database manager that you are using and, if your databases are connected with ODBC, whether the broker's queue manager and the execution group are 32-bit or 64-bit. (JDBC connections are not dependent on 32-bit or 64-bit.)

If you are using shared memory to connect directly to a 64-bit database instance, you must use a 64-bit queue manager to globally coordinate transactions (all WebSphere MQ Version 6 queue managers on 64-bit platforms are 64-bit). A 32-bit queue manager cannot connect directly to a 64-bit database instance.

- "Configuring global coordination with DB2 using a 32-bit queue manager" on page 281
- "Configuring global coordination with DB2 using a 64-bit queue manager" on page 283
- "Configuring global coordination with Informix using a 32-bit queue manager" on page 286
- "Configuring global coordination with Informix using a 64-bit queue manager" on page 288
- "Configuring global coordination with Oracle using a 32-bit queue manager" on page 291
- "Configuring global coordination with Oracle using a 64-bit queue manager" on page 295
- "Configuring global coordination with Sybase" on page 299

3. Configure the message flow for global coordination. For information about how to perform this configuration, see *Configuring globally coordinated message flows*.

When you have completed these steps, your message flows are processed using global coordination, which is managed by the queue manager.

You must complete all of the steps correctly; if you do not, global coordination will not work.

For an example of how you can use WebSphere MQ to globally coordinate transactions, look at the following sample:

- Error Handler sample

You can view samples only when you use the information center that is integrated with the Message Broker Toolkit.

## The Transactional model

A message flow can consist of the following constituent parts:

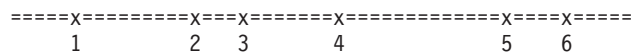
- An input queue
- The message flow
- One or more database tables
- One or more output queues

A typical sequence of events when a message flow processes a message is described below:

1. A message is taken from the input queue.
2. Data is read from or written to the database tables and queues.
3. The system is inactive and awaits the next input message.

Note that this sequence of events makes no distinction between accessing tables and writing output messages. Although a flow often produces some sort of output message, there is no real distinction between producing an output message and updating a database table; in both cases, the state of the data in the system changes.

Consider the following diagram:



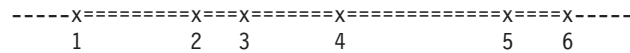
The line represents the data in the system as time passes. At time 1, a message arrives and is taken from the input queue. At times 2, 3, 4, and 5, data is used to update database tables or it is written to queues. Changes in the state of the data are indicated in the diagram by the *x* symbol. At time 6, the output messages are sent and the system is inactive. Between these events, there is no change to the state of the data; this is indicated in the diagram by the = symbol.

If a failure occurs on the system (for example, a loss of power to the computer on which the broker is running), the changes to the state of tables and queues that were made before the failure have taken place, but no more changes will take place after the failure. This situation is unacceptable in certain circumstances; for example, if a system failure occurs when making a payment from a current

account to a mortgage account, the payment might be taken from the current account, but it is not added to the mortgage account.

## Transactions

To avoid the problem that is described above, the broker, queuing systems, and databases have a *transactional model*. As processing proceeds, additional data is stored that allows the original state to be restored in the event of a failure. The following diagram illustrates the state of this extra data:



The line in the diagram represents the extra data in the system as time passes. At time 1, a message arrives and is taken from the input queue. Before time 1, there is no extra data in the system; this is indicated in the diagram by the - symbol. After time 1, the state represents the fact that a message has been taken from the queue so that it can be put back on the queue if necessary. At times 2, 3, 4, and 5, data is used to update database tables or it is written to queues. Again, the state of the extra data changes so that the changes to tables and queues can be undone if necessary. At time 6, the output messages are sent, the system is inactive, and there is no extra data in the system once more. Between these events, there is no change to the state of the extra data and this is indicated by the = symbol. If a failure occurs at any time between time 1 and time 6, the extra data is used to restore the original state of the system's data, so effectively, no data has been written to the output queues, none of the tables have been updated, and the input message has not been taken from the input queue. If no failure occurs, the changes become permanent at time 6 (an undo operation following a subsequent failure will not undo the changes).

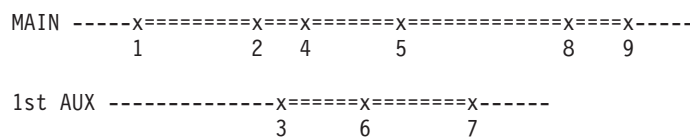
The mode of operation that is described above is known as *coordinated transaction mode*. The successful completion of a transaction is known as its *commit*. Unsuccessful completion is known as *rollback*.

## Uncoordinated Auxiliary Transactions

The key feature of the coordinated transaction mode of operation is that, regardless of where or when the failure appears, either all of the changes to queues and tables that are associated with one input message are made, or none of the changes are made. However, this behavior is not always suitable, as the following examples illustrate:

- You want to create an audit log of all attempts at processing. The log entries need to be committed even when updates to the main tables and queues are rolled back.
- You want to send an acknowledgment or non-acknowledgment message back to the originator of the messages that you are processing, according to whether the message processing succeeds or fails. These messages need to be sent even when the updates to the main tables and queues are rolled back.

To satisfy such requirements, WebSphere Message Broker allows changes to queues and tables to be take place in a separate transaction. This behavior is illustrated in the following diagram:



The *MAIN* line represents the main transaction, which includes the extra data that is needed to restore the original state should the need arise. The *1st AUX* line represents an auxiliary transaction. At time 3, an update to a table or queue is made and another update is made at time 6. At time 7, the message flow determines that all the changes that need to be made under the auxiliary transaction are complete and it commits the changes.

If the message flow were to fail before time 7, the state of the system would be unchanged because both transactions would be rolled back. If failure occurs after time 7 but before time 9, the auxiliary transaction would already have been committed but the main transaction would be rolled back. If a failure has not occurred by time 9, both transactions are committed.

## Database Auxiliary Transactions

You can use more than one auxiliary transaction and make a number of updates to database tables that can be committed or rolled back. You can then make additional changes to the same database tables, or to different tables, and then commit or rollback these changes.

Each database that you use has its own auxiliary transaction so, if the message flow updates tables that belong to different database instances (different data source names), there is an auxiliary transaction for each database. You must commit or roll back these transactions individually. Any updates that have not been committed or rolled back when the operation completes (at time 9 in the example above) are committed or rolled back automatically by the broker, according to whether the processing succeeded or failed.

Some databases types, such as DB2 on AIX, do not allow both coordinated and uncoordinated transactions in the same database instance. In these cases, you must create separate database instances. Configure one database instance for coordinated transactions and configure the other instance for uncoordinated transactions.

Use the `ESQL COMMIT` and `ROLLBACK` statements to commit and roll back auxiliary database transactions. Obtain operations outside the main transaction by specifying the `UNCOORDINATED` keyword on the individual database statements (for example, the `INSERT` and `UPDATE` statements).

## Queue Auxiliary Transactions

Not all queuing systems have the database capability that is described above. In the case of WebSphere MQ, each individual uncoordinated read or write operation to a queue has an implied commit action so you cannot put two messages and then decide to commit both or roll back both. The `COMMIT` and `ROLLBACK` statements therefore operate only on databases.

## Nodes

The above description mentions message flows but does not mention nodes. The way that a message flow is divided into nodes has no effect on transactions. For operations on databases, any number of nodes can make updates to the main transaction and to any number of auxiliary transactions without restriction.

## Entirely Uncoordinated Transactions

When all database updates are done within auxiliary transactions, set the **Coordinated Transaction** attribute of the message flow to `no` to affect all table references outside the main transaction. This means that you do not have to specify the attribute on each database operation.



## Configuring global coordination with DB2 using a 32-bit queue manager

Configure your broker environment to globally coordinate message flow transactions with updates in DB2 databases under the control of a 32-bit queue manager.

### Before you start:

- Ensure that the databases are configured for global coordination of transactions; see “Configuring databases for global coordination of transactions” on page 121.

All WebSphere MQ Version 6 queue managers on 32-bit platforms run in 32-bit mode. 32-bit queue managers can coordinate transactions only in 32-bit mode and can coordinate message flows that are deployed only to 32-bit execution groups.

To configure your broker environment for global coordination using a 32-bit queue manager as the transaction manager:

1. Decide whether the broker will connect to databases using TCP/IP or using shared memory.

For more information about TCP/IP connections, see the example in the section about message SQL1224N in Resolving problems when using databases.

To enable shared memory:

- a. Stop the broker by running the following command, where *broker* is the name of your broker:  

```
mqsistop broker
```
  - b. Run the following command to ensure that the broker is run in an environment with the extended memory variable exported:  

```
export EXTSHM=ON
```
  - c. Restart the broker by running the following command, where *broker* is the name of your broker:  

```
mqsistart broker
```
  - d. On the DB2 server, ensure that shared memory support is turned on. For more information, see “Configuring databases for global coordination of transactions” on page 121.
2. **Linux** On Linux on x86, run the `mqsimanagexalinks` command.
  3. Configure the broker’s queue manager with XA resource manager information for each database that is involved in the transaction that the queue manager will globally coordinate. If the message flows reference message dictionaries, or contain Publication nodes, you must use the same method to define XA resource manager information for the broker database and for the user databases.

**Linux** On Linux on x86:

- a. Open the queue manager’s `qm.ini` file in a text editor. The `qm.ini` file is located at `/var/mqm/qmgrs/queue_manager_name/qm.ini`, where `queue_manager_name` is the name of the broker that is associated with the queue manager.
- b. At the end of the `qm.ini` file, paste the following stanza:

```
XAResourceManager:  
Name=DB2  
SwitchFile=install_dir/sample/xatm/db2swit  
XAOpenString=db=MyDataSource,uid=MyUserId,pwd=MyPassword,toc=t  
XACloseString=  
ThreadOfControl=THREAD
```

- c. On the **SwitchFile** line of the stanza, replace *install\_dir* with the full path to the installation location of the WebSphere Message Broker instance.  
The switch file is supplied by WebSphere Message Broker.
- d. On the **XAOpenString** line, replace the following values with values that are appropriate for your configuration:
  - *MyDataSource* is the name of the data source to which you want to connect.
  - *MyUserId* must be the user name that the broker uses to connect to the database. The user name that the broker uses can be defined in a number of ways. If you use the **-u** parameter on the `mqsicreatebroker` command when you create the broker, this user name is used to connect to the database, unless the `mqsisetdbparms` command has been used to associate a specific user name and password with a specific data source name (DSN). If you use neither the **-u** parameter on the `mqsicreatebroker` command, nor the `mqsisetdbparms` command, the name used is the broker's service user name, which you define with the **-i** parameter on the `mqsicreatebroker` command.
  - *MyPassword* is the password that is associated with the user name.
- e. Accept the default values for all the other lines in the stanza. For example:

```
XAResourceManager:
Name=DB2
SwitchFile=/opt/mqsi/sample/xatm/db2swit
XAOpenString=db=MYDB,uid=wbrkuid,pwd=wbrkpw,toc=t
XACloseString=
ThreadOfControl=THREAD
```

**Windows** On Windows:

- a. From the **Start** menu, open WebSphere MQ Explorer.
- b. Open the queue manager's Properties dialog box, then open **XA resource managers**.
- c. In the **SwitchFile** field, enter the full path to the switch file, as shown in the following example where *install\_dir* is the location in which the broker is installed:
 

```
install_dir\sample\xatm\db2swit.dll
```
- d. In the **XAOpenString** field, paste the following string:
 

```
db=MyDataSource,uid=MyUserId,pwd=MyPassword,toc=t
```
- e. In the **XAOpenString** field, replace the values with values that are appropriate for your configuration:
  - *MyDataSource* is the name of the data source to which you want to connect.
  - *MyUserId* must be the user name that the broker uses to connect to the database. The user name that the broker uses can be defined in a number of ways. If you use the **-u** parameter on the `mqsicreatebroker` command when you create the broker, this user name is used to connect to the database, unless the `mqsisetdbparms` command has been used to associate a specific user name and password with a specific data source name (DSN). If you use neither the **-u** parameter on the `mqsicreatebroker` command, nor the `mqsisetdbparms` command, the name used is the broker's service user name, which you define with the **-i** parameter on the `mqsicreatebroker` command.
  - *MyPassword* is the password that is associated with the user name.

For example:

```
db=MYDB,uid=wbrkuid,pwd=wbrkpw,toc=t
```

- f. Accept the default values for all the other fields on the page.
4. Stop then restart the queue manager to apply the changes, because `qm.ini` is read only while the queue manager is running.

To stop then restart the queue manager, enter the following commands, where `queue_manager_name` is the name of the queue manager:

```
endmqm queue_manager_name
strmqm queue_manager_name
```

When the queue manager restarts, check the queue manager's log for any warnings that are associated with the restart. The log files are located in `/var/mqm/qmgrs/queue_manager_name/errors`, where `queue_manager_name` is the name of the queue manager that you restarted. When the queue manager restarts successfully, the changes that you made to `qm.ini` are applied.

DB2 is now configured for global coordination with a 32-bit queue manager coordinating transactions.

**Next:** you can deploy globally coordinated message flows to the broker.

## Configuring global coordination with DB2 using a 64-bit queue manager

Configure your broker environment to globally coordinate message flow transactions with updates in DB2 databases under the control of a 64-bit queue manager.

### Before you start:

- Ensure that the databases are configured for global coordination of transactions, see “Configuring databases for global coordination of transactions” on page 121.

All WebSphere MQ Version 6 queue managers on 64-bit platforms run in 64-bit mode. 64-bit queue managers can coordinate transactions only in 64-bit mode. If the broker uses a 64-bit queue manager, you can globally coordinate message flows that are deployed to either 64-bit or 32-bit execution groups, but if you are using 32-bit execution groups, you must define the data source name of the user database in both `odbc32.ini` and `odbc64.ini`. If the broker uses a 64-bit queue manager, or has a 64-bit execution group, the databases to which the broker connects must also be 64-bit mode.



To configure your broker environment for global coordination using a 64-bit queue manager as the transaction manager:

Follow the instructions appropriate to your execution groups:

- “32-bit execution groups”
- “64-bit execution groups” on page 285

### 32-bit execution groups

To configure the broker's queue manager to coordinate message flows that are deployed to a 32-bit execution group:

1.   On Linux (except Linux on x86) and UNIX systems, run the `mqsimanagexalinks` command.
2. Configure the broker's queue manager with XA resource manager information for each database that is involved in the transaction that the queue manager will globally coordinate. If the message flows reference message dictionaries, or

contain Publication nodes, you must use the same method to define XA resource manager information for the broker database and for the user databases.

Linux

UNIX

On Linux (except Linux on x86) and UNIX:

a. Open the queue manager's `qm.ini` file in a text editor. The `qm.ini` file is located at `/var/mqm/qmgrs/queue_manager_name/qm.ini`, where `queue_manager_name` is the name of the broker that is associated with the queue manager.

b. At the end of the `qm.ini` file, paste the following stanza:

```
XAResourceManager:  
Name=DB2  
SwitchFile=db2swit  
XAOpenString=db=MyDataSource,uid=MyUserId,pwd=MyPassword,toc=t  
XACloseString=  
ThreadOfControl=THREAD
```

The switch file is supplied by WebSphere Message Broker.

c. On the **XAOpenString** line, replace the following values with values that are appropriate for your configuration:

- *MyDataSource* is the name of the data source to which you want to connect.
- *MyUserId* must be the user name that the broker uses to connect to the database. The user name that the broker uses can be defined in a number of ways. If you use the `-u` parameter on the `mqsicreatebroker` command when you create the broker, this user name is used to connect to the database, unless the `mqsisetdbparms` command has been used to associate a specific user name and password with a specific data source name (DSN). If you use neither the `-u` parameter on the `mqsicreatebroker` command, nor the `mqsisetdbparms` command, the name used is the broker's service user name, which you define with the `-i` parameter on the `mqsicreatebroker` command.
- *MyPassword* is the password that is associated with the user name.

d. Accept the default values for all the other lines in the stanza. For example:

```
XAResourceManager:  
Name=DB2  
SwitchFile=db2swit  
XAOpenString=db=MYDB,uid=wbrkuid,pwd=wbrkpw,toc=t  
XACloseString=  
ThreadOfControl=THREAD
```

3. Stop then restart the queue manager to apply the changes, because `qm.ini` is read only while the queue manager is running.

To stop then restart the queue manager, enter the following commands, where `queue_manager_name` is the name of the queue manager:

```
endmqm queue_manager_name  
strmqm queue_manager_name
```

When the queue manager restarts, check the queue manager's log for any warnings that are associated with the restart. The log files are located in `/var/mqm/qmgrs/queue_manager_name/errors`, where `queue_manager_name` is the name of the queue manager that you restarted. When the queue manager restarts successfully, the changes that you made to `qm.ini` are applied.

DB2 is now configured for global coordination with a 64-bit queue manager coordinating transactions.

**Next:** you can deploy globally coordinated message flows to the broker.

## 64-bit execution groups

To configure the broker's queue manager to coordinate message flows that are deployed to a 64-bit execution group:

1. **Linux** **UNIX** On Linux (except Linux on x86) and UNIX, run the `mqsimanagexalinks` command.
2. Configure the broker's queue manager with XA resource manager information for each database that is involved in the transaction that the queue manager will globally coordinate. If the message flows reference message dictionaries, or contain Publication nodes, you must use the same method to define XA resource manager information for the broker database and for the user databases.

**Linux** **UNIX** On Linux (except Linux on x86) and UNIX:

- a. Open the queue manager's `qm.ini` file in a text editor. The `qm.ini` file is located at `/var/mqm/qmgrs/queue_manager_name/qm.ini`, where `queue_manager_name` is the name of the broker that is associated with the queue manager.
- b. At the end of the `qm.ini` file, paste the following stanza:

```
XAResourceManager:  
Name=DB2  
SwitchFile=db2swit  
XAOpenString=db=MyDataSource,uid=MyUserId,pwd=MyPassword,toc=t  
XACloseString=  
ThreadOfControl=THREAD
```

The switch file is supplied by WebSphere Message Broker.

- c. On the **XAOpenString** line, replace the following values with values that are appropriate for your configuration:
  - *MyDataSource* is the name of the data source to which you want to connect.
  - *MyUserId* must be the user name that the broker uses to connect to the database. The user name that the broker uses can be defined in a number of ways. If you use the `-u` parameter on the `mqsicreatebroker` command when you create the broker, this user name is used to connect to the database, unless the `mqsisetdbparms` command has been used to associate a specific user name and password with a specific data source name (DSN). If you use neither the `-u` parameter on the `mqsicreatebroker` command, nor the `mqsisetdbparms` command, the name used is the broker's service user name, which you define with the `-i` parameter on the `mqsicreatebroker` command.
  - *MyPassword* is the password that is associated with the user name.
- d. Accept the default values for all the other lines in the stanza. For example:

```
XAResourceManager:  
Name=DB2  
SwitchFile=db2swit  
XAOpenString=db=MYDB,uid=wbrkuid,pwd=wbrkpw,toc=t  
XACloseString=  
ThreadOfControl=THREAD
```

3. Stop then restart the queue manager to apply the changes, because `qm.ini` is read only while the queue manager is running.

To stop then restart the queue manager, enter the following commands, where `queue_manager_name` is the name of the queue manager:

```
endmqm queue_manager_name  
strmqm queue_manager_name
```

When the queue manager restarts, check the queue manager's log for any warnings that are associated with the restart. The log files are located in `/var/mqm/qmgrs/queue_manager_name/errors`, where `queue_manager_name` is the name of the queue manager that you restarted. When the queue manager restarts successfully, the changes that you made to `qm.ini` are applied.

DB2 is now configured for global coordination with a 64-bit queue manager coordinating transactions.

**Next:** you can deploy globally coordinated message flows to the broker.

## Configuring global coordination with Informix using a 32-bit queue manager

Configure your broker environment to globally coordinate message flow transactions with updates in Informix databases under the control of a 32-bit queue manager.

### Before you start:

- Ensure that the databases are configured for global coordination of transactions, see “Configuring databases for global coordination of transactions” on page 121.

All WebSphere MQ Version 6 queue managers on 32-bit platforms run in 32-bit mode. 32-bit queue managers can coordinate transactions only in 32-bit mode and can coordinate message flows that are deployed only to 32-bit execution groups.

To configure your broker environment for global coordination using a 32-bit queue manager as the transaction manager:

1. **Linux** **UNIX** On Linux on x86, Linux on x86-64, and UNIX, run the `mqsimanagexalinks` command.
2. Configure the broker's queue manager with XA resource manager information for each database that is involved in the transaction that the queue manager will globally coordinate. If the message flows reference message dictionaries, or contain Publication nodes, you must use the same method to define XA resource manager information for the broker database and for the user databases.

**Linux** **UNIX** **On Linux on x86, Linux on x86-64, and UNIX::**

- a. Open the queue manager's `qm.ini` file in a text editor. The `qm.ini` file is located at `/var/mqm/qmgrs/queue_manager_name/qm.ini`, where `queue_manager_name` is the name of the broker that is associated with the queue manager.

- b. At the end of the `qm.ini` file, paste the following stanza:

```
XAResourceManager:  
Name=INFORMIX  
SwitchFile=infswit  
XAOpenString=DB=MyDatabase\;RM=MyResourceManager\  
USER=MyUserId\;PASSWD=MyPassword  
ThreadOfControl=PROCESS
```

- c. On the **XAOpenString** line, replace the following values with values that are appropriate for your configuration:

- `MyDatabase` is the name of the database to which you want to connect.
- `MyResourceManager` is the name of the Informix IDS Server.
- `MyUserId` must be the user name that the broker uses to connect to the database. The user name that the broker uses can be defined in a number

of ways. If you use the **-u** parameter on the `mqsicreatebroker` command when you create the broker, this user name is used to connect to the database, unless the `mqsisetdbparms` command has been used to associate a specific user name and password with a specific data source name (DSN). If you use neither the **-u** parameter on the `mqsicreatebroker` command, nor the `mqsisetdbparms` command, the name used is the broker's service user name, which you define with the **-i** parameter on the `mqsicreatebroker` command.

- *MyPassword* is the password that is associated with the user name.
- d. Accept the default values for all the other lines in the stanza. For example:

```
XAResourceManager:
Name=INFORMIX
SwitchFile=infswit
XAOpenString=DB=MYDB\;RM=idserver\;
    USER=wbrkuid\;PASSWD=wbrkpw
ThreadOfControl=PROCESS
```

#### Windows On Windows:

- a. From the **Start** menu, open WebSphere MQ Explorer.
- b. Open the queue manager's Properties dialog box, then open **XA resource managers**.
- c. In the **SwitchFile** field, enter the full path to the switch file, as shown in the following example, where *install\_dir* is the location in which the broker is installed:

```
install_dir\sample\xatm\infswit.dll
```

- d. In the **XAOpenString** field, paste the following string:

```
DB=MyDatabase;RM=MyResourceManager;
    USER=MyUserId;PASSWD=MyPassword
```

- e. In the **XAOpenString** field, replace the values with values that are appropriate for your configuration:
  - *MyDatabase* is the name of the database to which you want to connect.
  - *MyResourceManager* is the name of the Informix IDS Server.
  - *MyUserId* must be the user name that the broker uses to connect to the database. The user name that the broker uses can be defined in a number of ways. If you use the **-u** parameter on the `mqsicreatebroker` command when you create the broker, this user name is used to connect to the database, unless the `mqsisetdbparms` command has been used to associate a specific user name and password with a specific data source name (DSN). If you use neither the **-u** parameter on the `mqsicreatebroker` command, nor the `mqsisetdbparms` command, the name used is the broker's service user name, which you define with the **-i** parameter on the `mqsicreatebroker` command.
  - *MyPassword* is the password that is associated with the user name.

For example:

```
DB=MYDB;RM=idserver;USER=wbrkuid;PASSWD=wbrkpw
```

- f. Accept the default values for all the other fields on the page.
3. Stop then restart the queue manager to apply the changes, because `qm.ini` is read only while the queue manager is running.

To stop then restart the queue manager, enter the following commands, where *queue\_manager\_name* is the name of the queue manager:

```
endmqm queue_manager_name
strmqm queue_manager_name
```

When the queue manager restarts, check the queue manager's log for any warnings that are associated with the restart. The log files are located in `/var/mqm/qmgrs/queue_manager_name/errors`, where `queue_manager_name` is the name of the queue manager that you restarted. When the queue manager restarts successfully, the changes that you made to `qm.ini` are applied.

Informix is now configured for global coordination with a 32-bit queue manager coordinating transactions.

**Next:** you can deploy globally coordinated message flows to the broker.

## Configuring global coordination with Informix using a 64-bit queue manager

Configure your broker environment to globally coordinate message flow transactions with updates in Informix databases under the control of a 64-bit queue manager.

### Before you start:

- Ensure that the databases are configured for global coordination of transactions, see “Configuring databases for global coordination of transactions” on page 121.

All WebSphere MQ Version 6 queue managers on 64-bit platforms run in 64-bit mode. 64-bit queue managers can coordinate transactions only in 64-bit mode. If the broker uses a 64-bit queue manager, you can globally coordinate message flows that are deployed to either 64-bit or 32-bit execution groups, but if you are using 32-bit execution groups, you must define the data source name of the user database in both `odbc32.ini` and `odbc64.ini`. If the broker uses a 64-bit queue manager, or has a 64-bit execution group, the databases to which the broker connects must also be 64-bit mode.

Follow the appropriate instructions for your execution groups:

- “32-bit execution groups”
- “64-bit execution groups” on page 289

### 32-bit execution groups

To configure the broker's queue manager to coordinate message flows that are deployed to a 32-bit execution group:

1. **Linux** **UNIX** On all Linux platforms except Linux on x86, and on UNIX systems, run the `mqsimanagexalinks` command.
2. Configure the broker's queue manager with XA resource manager information for each database that is involved in the transaction that the queue manager will globally coordinate. If the message flows reference message dictionaries, or contain Publication nodes, you must use the same method to define XA resource manager information for the broker database and for the user databases.

**Linux** **UNIX** On all Linux platforms except Linux on x86, and on UNIX:

- a. Open the queue manager's `qm.ini` file in a text editor. The `qm.ini` file is located at `/var/mqm/qmgrs/queue_manager_name/qm.ini`, where `queue_manager_name` is the name of the broker that is associated with the queue manager.
- b. At the end of the `qm.ini` file, paste the following stanza:



```

XAResourceManager:
Name=INFORMIX
SwitchFile=infswit
XAOpenString=db=MyDatabase\;RM=MyResourceManager\;
    USER=MyUserId\;PASSWD=MyPassword
ThreadOfControl=PROCESS

```

The switch file is supplied by WebSphere Message Broker.

- c. On the **XAOpenString** line, replace the following values with values that are appropriate for your configuration:
  - *MyDatabase* is the name of the database to which you want to connect.
  - *MyResourceManager* is the name of the Informix IDS Server.
  - *MyUserId* must be the user name that the broker uses to connect to the database. The user name that the broker uses can be defined in a number of ways. If you use the **-u** parameter on the `mqsicreatebroker` command when you create the broker, this user name is used to connect to the database, unless the `mqsisetdbparms` command has been used to associate a specific user name and password with a specific data source name (DSN). If you use neither the **-u** parameter on the `mqsicreatebroker` command, nor the `mqsisetdbparms` command, the name used is the broker's service user name, which you define with the **-i** parameter on the `mqsicreatebroker` command.
  - *MyPassword* is the password that is associated with the user name.
- d. Accept the default values for all the other lines in the stanza. For example:

```

XAResourceManager:
Name=INFORMIX
SwitchFile=infswit
XAOpenString=db=MYDB\;RM=idsserver\;
    USER=wbrkuid\;PASSWD=wbrkpw
ThreadOfControl=PROCESS

```

3. Stop then restart the queue manager to apply the changes, because `qm.ini` is read only while the queue manager is running.

To stop then restart the queue manager, enter the following commands, where *queue\_manager\_name* is the name of the queue manager:

```

endmqm queue_manager_name
strmqm queue_manager_name

```

When the queue manager restarts, check the queue manager's log for any warnings that are associated with the restart. The log files are located in `/var/mqm/qmgrs/queue_manager_name/errors`, where *queue\_manager\_name* is the name of the queue manager that you restarted. When the queue manager restarts successfully, the changes that you made to `qm.ini` are applied.

Informix is now configured for global coordination with a 64-bit queue manager coordinating transactions.

**Next:** you can deploy globally coordinated message flows to the broker.

## 64-bit execution groups

To configure the broker's queue manager to coordinate message flows that are deployed to a 64-bit execution group:

1. Linux UNIX On all Linux platforms except Linux on x86, and on UNIX systems, run the `mqsimanagexalinks` command.
2. Configure the broker's queue manager with XA resource manager information for each database that is involved in the transaction that the queue manager will globally coordinate. If the message flows reference message dictionaries, or

contain Publication nodes, you must use the same method to define XA resource manager information for the broker database and for the user databases.

Linux

UNIX

On all Linux platforms except Linux on x86, and on UNIX:

a. Open the queue manager's `qm.ini` file in a text editor. The `qm.ini` file is located at `/var/mqm/qmgrs/queue_manager_name/qm.ini`, where `queue_manager_name` is the name of the broker that is associated with the queue manager.

b. At the end of the `qm.ini` file, paste the following stanza:

```
XAResourceManager:
Name=INFORMIX
SwitchFile=infswit
XAOpenString=db=MyDatabase\;RM=MyResourceManager\;
  USER=MyUserId\;PASSWD=MyPassword
ThreadOfControl=PROCESS
```

The switch file is supplied by WebSphere Message Broker.

c. On the **XAOpenString** line, replace the following values with values that are appropriate for your configuration:

- *MyDatabase* is the name of the database to which you want to connect.
- *MyResourceManager* is the name of the Informix IDS Server.
- *MyUserId* must be the user name that the broker uses to connect to the database. The user name that the broker uses can be defined in a number of ways. If you use the **-u** parameter on the `mqsicreatebroker` command when you create the broker, this user name is used to connect to the database, unless the `mqsisetdbparms` command has been used to associate a specific user name and password with a specific data source name (DSN). If you use neither the **-u** parameter on the `mqsicreatebroker` command, nor the `mqsisetdbparms` command, the name used is the broker's service user name, which you define with the **-i** parameter on the `mqsicreatebroker` command.
- *MyPassword* is the password that is associated with the user name.

d. Accept the default values for all the other lines in the stanza. For example:

```
XAResourceManager:
Name=INFORMIX
SwitchFile=infswit
XAOpenString=db=MYDB\;RM=idsserver\;
  USER=wbrkuid,pwd=wbrkpw
ThreadOfControl=PROCESS
```

3. Stop then restart the queue manager to apply the changes, because `qm.ini` is read only while the queue manager is running.

To stop then restart the queue manager, enter the following commands, where `queue_manager_name` is the name of the queue manager:

```
endmqm queue_manager_name
strmqm queue_manager_name
```

When the queue manager restarts, check the queue manager's log for any warnings that are associated with the restart. The log files are located in `/var/mqm/qmgrs/queue_manager_name/errors`, where `queue_manager_name` is the name of the queue manager that you restarted. When the queue manager restarts successfully, the changes that you made to `qm.ini` are applied.

Informix is now configured for global coordination with a 64-bit queue manager coordinating transactions.

**Next:** you can deploy globally coordinated message flows to the broker.

## Configuring global coordination with Oracle using a 32-bit queue manager

Configure your broker environment to globally coordinate message flow transactions with updates in Oracle databases under the control of a 32-bit queue manager.

### Before you start:

- Ensure that the databases are configured for global coordination of transactions; see “Configuring databases for global coordination of transactions” on page 121.

Complete this task to configure the broker environment when the broker uses a 32-bit queue manager.

All WebSphere MQ Version 6 queue managers on 32-bit platforms run in 32-bit mode. 32-bit queue managers can coordinate transactions only in 32-bit mode and can coordinate message flows that are deployed only to 32-bit execution groups.

To configure your broker environment for global coordination using a 32-bit queue manager as the transaction manager with the DataDirect drivers:

1. **Linux** **UNIX** On Linux on x86, Linux on x86-64, and UNIX, run the `mqsimanagexalinks` command.
2. **Linux** On Linux on x86 and Linux on x86-64, run the `mqsi_setupdatabase` command.
3. Configure the broker’s queue manager with XA resource manager information for each database that is involved in the transaction that the queue manager will globally coordinate. If the message flows reference message dictionaries, or contain Publication nodes, you must use the same method to define XA resource manager information for the broker database and for the user databases.

### **Linux** **UNIX** On Linux on x86, Linux on x86-64, and UNIX:

- a. Open the queue manager’s `qm.ini` file in a text editor. The `qm.ini` file is located at `/var/mqm/qmgrs/queue_manager_name/qm.ini`, where `queue_manager_name` is the name of the broker that is associated with the queue manager.

- b. Add one of the following stanzas to the end of the `qm.ini`:

- If you are not using Oracle Real Application Clusters:

```
XAResourceManager:  
Name=OracleXA  
SwitchFile=SwitchFileName  
XAOpenString=ORACLE_XA+SQLNET=MyNetServiceName  
+HostName=MyHostName  
+PortNumber=MyPortNumber  
+Sid=MySID  
+ACC=P/MyUserId/MyPassword  
+sestm=100+threads=TRUE  
+DataSource=MyDataSourceName  
+DB=MyDataSourceName+K=2+  
XACloseString=  
ThreadOfControl=THREAD
```

- If you are using Oracle Real Application Clusters:

```
XAResourceManager:  
Name=OracleXA  
SwitchFile=SwitchFileName  
XAOpenString=ORACLE_XA  
+SQLNET=MyNetServiceNameForCluster
```

```

+HostName=MyHostName
+PortNumber=MyPortNumber
+ServiceName=MyServiceName
+ACC=P/MyUserId/MyPassword
+sest=100+threads=TRUE
+DataSource=MyDataSourceName
+DB=MyDataSourceName+K=2+
XACloseString=
ThreadOfControl=THREAD

```

- c. On the **SwitchFile** line of the stanza, replace *SwitchFileName* with the name of the switch file for your operating system. The following table shows the switch file for each operating system.

Operating system	Switch file
HP-UX on PA-RISC	UKor8dtc20.sl
All other platforms	UKor8dtc23.so

The switch file is supplied by WebSphere Message Broker.

- d. On the **XAOpenString** line, replace the following values with values that are appropriate for your configuration:
- *MyHostName* is the name of the TCP/IP host that hosts the Oracle database.
  - *MyPortNumber* is the TCP/IP port on which the Oracle database is listening.
  - *MySID* is the Oracle System Identifier (SID) of the database.
  - *MyUserId* must be the user name that the broker uses to connect to the database. The user name that the broker uses can be defined in a number of ways. If you use the **-u** parameter on the `mqsicreatebroker` command when you create the broker, this user name is used to connect to the database, unless the `mqsisetdbparms` command has been used to associate a specific user name and password with a specific data source name (DSN). If you use neither the **-u** parameter on the `mqsicreatebroker` command, nor the `mqsisetdbparms` command, the name used is the broker's service user name, which you define with the **-i** parameter on the `mqsicreatebroker` command.
  - *MyPassword* is the password that is associated with the user name.
  - *MyDataSourceName* is the ODBC data source name for the database.
  - *MyNetServiceName* is the Net Service Name defined for the connect descriptor to your data source.
  - *MyNetServiceNameForCluster* is the Net Service Name defined for the connect descriptor to your cluster. This value is "WMBSERVICE" in the `tnsnames` example entry shown.
  - *MyServiceName* is the value set for the Service Name in the stanza referenced by *MyNetServiceNameForCluster*. This value is "racxa.test.com" in the `tnsnames` example entry shown.

An example entry in `tnsnames.ora` might contain the following content:

```

WMBSERVICE =
  (DESCRIPTION =
    (ADDRESS = (PROTOCOL = TCP)(HOST=harac1)(PORT=1521))
    (ADDRESS = (PROTOCOL = TCP)(HOST=harac2)(PORT=1521))
    (CONNECT_DATA =
      (SERVER = DEDICATED)
      (SERVICE_NAME = racxa.test.com)
    )
  )

```

e. Accept the default values for all the other lines in the stanza. For example:

- On AIX:

- If you are not using Oracle Real Application Clusters:

```
XAResourceManager:  
Name=OracleXA  
SwitchFile=UKor8dtc23.so  
XAOpenString=ORACLE_XA+SQLNET=diaz  
+HostName=diaz.hursley.ibm.com  
+PortNumber=1521+Sid=diaz  
+ACC=P/wbrkuid/wbrkpw  
+sestm=100+threads=TRUE  
+DataSource=MYDB+DB=MYDB+K=2+  
XACloseString=  
ThreadOfControl=THREAD
```

- If you are using Oracle Real Application Clusters:

```
XAResourceManager:  
Name=OracleXA  
SwitchFile=UKor8dtc23.so  
XAOpenString=ORACLE_XA+SQLNET=WMBSERVICE  
+HostName=diaz.hursley.ibm.com  
+PortNumber=1521+ServiceName=racxa.est.com  
+ACC=P/wbrkuid/wbrkpw  
+sestm=100+threads=TRUE  
+DataSource=MYDB+DB=MYDB+K=2+  
XACloseString=  
ThreadOfControl=THREAD
```

- On HP-UX on PA-RISC:

- If you are not using Oracle Real Application Clusters:

```
XAResourceManager:  
Name=OracleXA  
SwitchFile=UKor8dtc20.s1  
XAOpenString=ORACLE_XA+SQLNET=diaz  
+HostName=diaz.hursley.ibm.com  
+PortNumber=1521+Sid=diaz  
+ACC=P/wbrkuid/wbrkpw  
+sestm=100+threads=TRUE  
+DataSource=MYDB+DB=MYDB+K=2+  
XACloseString=  
ThreadOfControl=THREAD
```

- If you are using Oracle Real Application Clusters:

```
XAResourceManager:  
Name=OracleXA  
SwitchFile=UKor8dtc20.s1  
XAOpenString=ORACLE_XA+SQLNET=diaz  
+HostName=diaz.hursley.ibm.com  
+PortNumber=1521  
+ServiceName=racxa.test.com  
+ACC=P/wbrkuid/wbrkpw  
+sestm=100+threads=TRUE  
+DataSource=MYDB+DB=MYDB+K=2+  
XACloseString=  
ThreadOfControl=THREAD
```

**Windows** On Windows:

- a. From the **Start** menu, open WebSphere MQ Explorer.
- b. Open the queue manager's Properties dialog box, then open **XA resource managers**.
- c. In the **SwitchFile** field, enter the full path to the switch file, as shown in the following example where *install\_dir* is the location in which the broker is installed:

*install\_dir*\bin\UKor8dtc23.d11

d. In the **XAOpenString** field, paste the following string:

- If you are not using Oracle Real Application Clusters:

```
ORACLE_XA+SQLNET=MyNetServiceName
+HostName=MyHostName
+PortNumber=MyPortNumber
+Sid=MySID
+ACC=P/MyUserId/MyPassword
+sestm=100+threads=TRUE
+DataSource=MyDataSourceName
+DB=MyDataSourceName+K=2+
```

- If you are using Oracle Real Application Clusters:

```
ORACLE_XA+SQLNET=MyNetServiceNameForCluster
+HostName=MyHostName
+PortNumber=MyPortNumber
+ServiceName=MyServiceName
+ACC=P/MyUserId/MyPassword
+sestm=100+threads=TRUE
+DataSource=MyDataSourceName
+DB=MyDataSourceName+K=2+
```

e. In the **XAOpenString** field, replace the values with values that are appropriate for your configuration:

- *MyHostName* is the name of the TCP/IP host that hosts the Oracle database.
- *MyPortNumber* is the TCP/IP port on which the Oracle database is listening.
- *MySID* is the Oracle System Identifier (SID) of the database.
- *MyUserId* must be the user name that the broker uses to connect to the database. The user name that the broker uses can be defined in a number of ways. If you use the **-u** parameter on the `mqsicreatebroker` command when you create the broker, this user name is used to connect to the database, unless the `mqsisetdbparms` command has been used to associate a specific user name and password with a specific data source name (DSN). If you use neither the **-u** parameter on the `mqsicreatebroker` command, nor the `mqsisetdbparms` command, the name used is the broker's service user name, which you define with the **-i** parameter on the `mqsicreatebroker` command.
- *MyPassword* is the password that is associated with the user name.
- *MyDataSourceName* is the ODBC data source name for the database.
- *MyNetServiceName* is the Net Service Name defined for the connect descriptor to your data source.
- *MyNetServiceNameForCluster* is the Net Service Name defined for the connect descriptor to your cluster. This value is "WMBSERVICE" in the `tnsnames` example entry shown.
- *MyServiceName* is the value set for the Service Name in the stanza referenced by *MyNetServiceNameForCluster*. This value is "racxa.test.com" in the `tnsnames` example entry shown.

An example entry in `tnsnames.ora` might have the following content:

```
WMBSERVICE =
  (DESCRIPTION =
    (ADDRESS = (PROTOCOL = TCP) (HOST=harac1) (PORT=1521))
    (ADDRESS = (PROTOCOL = TCP) (HOST=harac2) (PORT=1521))
    (CONNECT_DATA =
```

```

        (SERVER = DEDICATED)
        (SERVICE_NAME = racxa.test.com)
    )
)

```

For example:

- If you are not using Oracle Real Application Clusters:

```

ORACLE_XA+SQLNET=diaz
+HostName=diaz.hursley.ibm.com
+PortNumber=1521+Sid=diaz
+ACC=P/wbrkuid/wbrkpw
+sestm=100+threads=TRUE
+DataSource=MYDB+DB=MYDB+K=2+

```

- If you are using Oracle Real Application Clusters:

```

ORACLE_XA+SQLNET=WMBSERVICE
+HostName=diaz.hursley.ibm.com
+PortNumber=1521
+ServiceName=racxa.test.com
+ACC=P/wbrkuid/wbrkpw
+sestm=100+threads=TRUE
+DataSource=MYDB+DB=MYDB+K=2+

```

- f. Accept the default values for all the other fields on the page.
4. Stop then restart the queue manager to apply the changes, because qm.ini is read only while the queue manager is running.

To stop then restart the queue manager, enter the following commands, where *queue\_manager\_name* is the name of the queue manager:

```

endmqm queue_manager_name
strmqm queue_manager_name

```

When the queue manager restarts, check the queue manager's log for any warnings that are associated with the restart. The log files are located in `/var/mqm/qmgrs/queue_manager_name/errors`, where *queue\_manager\_name* is the name of the queue manager that you restarted. When the queue manager restarts successfully, the changes that you made to qm.ini are applied.

Oracle is now configured for global coordination with a 32-bit queue manager coordinating transactions.

**Next:** you can deploy globally coordinated message flows to the broker.

## Configuring global coordination with Oracle using a 64-bit queue manager

Configure your broker environment to globally coordinate message flow transactions with updates in Oracle databases under the control of a 64-bit queue manager.

### Before you start:

- Ensure that you have configured the databases for global coordination of transactions.

All WebSphere MQ Version 6 queue managers on 64-bit platforms run in 64-bit mode. 64-bit queue managers can coordinate transactions only in 64-bit mode. If the broker uses a 64-bit queue manager, you can globally coordinate message flows that are deployed to either 64-bit or 32-bit execution groups, but if you are using 32-bit execution groups, you must define the data source name of the user

database in both `odbc32.ini` and `odbc64.ini`. If the broker uses a 64-bit queue manager, or has a 64-bit execution group, the databases to which the broker connects must also be 64-bit mode.

To configure your broker environment for global coordination using a 64-bit queue manager as the transaction manager with the DataDirect drivers:

1. Linux UNIX On Linux and UNIX, run the `mqsmanagexalinks` command.
2. Linux UNIX On Linux on x86-64, Solaris on SPARC, HP-UX on PA-RISC, and AIX, run the `mqsi_setupdatabase` command.
3. Configure the broker's queue manager with XA resource manager information for each database that is involved in the transaction that the queue manager will globally coordinate. If the message flows reference message dictionaries, or contain Publication nodes, you must use the same method to define XA resource manager information for the broker database and for the user databases.

Linux UNIX **On Linux (except Linux on x86) and UNIX:**

- a. Open the queue manager's `qm.ini` file in a text editor. The `qm.ini` file is located at `/var/mqm/qmgrs/queue_manager_name/qm.ini`, where `queue_manager_name` is the name of the broker that is associated with the queue manager.

- b. Add one of the following stanzas to the end of the `qm.ini` file:

- If you are not using Oracle Real Application Clusters:

```

XAResourceManager:
Name=OracleXA
SwitchFile=SwitchFileName
XAOpenString=ORACLE_XA
+SQLNET=MyNetServiceName
+HostName=MyHostName
+PortNumber=MyPortNumber
+Sid=MySID
+ACC=P/MyUserId/MyPassword
+sestm=100+threads=TRUE
+DataSource=MyDataSourceName
+DB=MyDataSourceName+K=2+
XACloseString=
ThreadOfControl=THREAD

```

- If you are using Oracle Real Application Clusters:

```

XAResourceManager:
Name=OracleXA
SwitchFile=SwitchFileName
XAOpenString=ORACLE_XA
+SQLNET=MyNetServiceNameForCluster
+HostName=MyHostName
+PortNumber=MyPortNumber
+ServiceName=MyServiceName
+ACC=P/MyUserId/MyPassword
+sestm=100+threads=TRUE
+DataSource=MyDataSourceName
+DB=MyDataSourceName+K=2+
XACloseString=
ThreadOfControl=THREAD

```

- c. On the **SwitchFile** line of the stanza, replace `SwitchFileName` with the name of the switch file for your operating system. The following table shows the name of the switch file for each operating system.



Operating system	Switch file
HP-UX on PA-RISC	UKor8dtc20.sl
All other platforms	UKoradtc23.so

The switch file is supplied by WebSphere Message Broker.

- d. On the **XAOpenString** line, replace the following values with values that are appropriate for your configuration:
- *MyHostName* is the name of the TCP/IP host that hosts the Oracle database.
  - *MyPortNumber* is the TCP/IP port on which the Oracle database is listening.
  - *MySID* is the Oracle System Identifier (SID) of the database.
  - *MyUserId* must be the user name that the broker uses to connect to the database. The user name that the broker uses can be defined in a number of ways. If you use the **-u** parameter on the `mqsicreatebroker` command when you create the broker, this user name is used to connect to the database, unless the `mqsisetdbparms` command has been used to associate a specific user name and password with a specific data source name (DSN). If you use neither the **-u** parameter on the `mqsicreatebroker` command, nor the `mqsisetdbparms` command, the name used is the broker's service user name, which you define with the **-i** parameter on the `mqsicreatebroker` command.
  - *MyPassword* is the password that is associated with the user name.
  - *MyDataSourceName* is the ODBC data source name for the database.
  - *MyNetServiceName* is the Net Service Name defined for the connect descriptor to your data source.
  - *MyNetServiceNameForCluster* is the name for the connect descriptor to your cluster. This value is "WMBSERVICE" in the `tnsnames` example entry shown.
  - *MyServiceName* is value set for the Service Name in the stanza referenced by *MyNetServiceNameForCluster*. This value is "racxa.test.com" in the `tnsnames` example entry shown.

An example entry in `tnsnames.ora` might have the following content:

```
WMBSERVICE =
  (DESCRIPTION =
    (ADDRESS = (PROTOCOL = TCP)(HOST=harac1)(PORT=1521))
    (ADDRESS = (PROTOCOL = TCP)(HOST=harac2)(PORT=1521))
    (CONNECT_DATA =
      (SERVER = DEDICATED)
      (SERVICE_NAME = racxa.test.com)
    )
  )
```

- e. Accept the default values for all the other lines in the stanza. For example:

- On AIX:
  - If you are not using Oracle Real Application Clusters:
 

```
XAResourceManager:
Name=OracleXA
SwitchFile=UKor8dtc23.so
XAOpenString=ORACLE_XA+SQLNET=diaz
+HostName=diaz.hursley.ibm.com
+PortNumber=1521+Sid=diaz
+ACC=P/wbrkuid/wbrkpw
```

```
+sestm=100+threads=TRUE
+DataSource=MYDB+DB=MYDB+K=2+
XAcloseString=
ThreadOfControl=THREAD
```

- If you are using Oracle Real Application Clusters:

```
XAResourceManager:
Name=OracleXA
SwitchFile=UKor8dtc23.so
XAOpenString=ORACLE_XA
+SQLNET=WMBSERVICE
+HostName=diaz.hursley.ibm.com
+PortNumber=1521
+ServiceName=racxa.est.com
+ACC=P/wbrkuid/wbrkpw
+sestm=100+threads=TRUE
+DataSource=MYDB+DB=MYDB+K=2+
XAcloseString=
ThreadOfControl=THREAD
```

- On HP-UX on PA-RISC:

- If you are not using Oracle Real Application Clusters:

```
XAResourceManager:
Name=OracleXA
SwitchFile=UKor8dtc20.s1
XAOpenString=ORACLE_XA+SQLNET=diaz
+HostName=diaz.hursley.ibm.com
+PortNumber=1521+Sid=diaz
+ACC=P/wbrkuid/wbrkpw
+sestm=100+threads=TRUE
+DataSource=MYDB+DB=MYDB+K=2+
XAcloseString=
ThreadOfControl=THREAD
```

- If you are using Oracle Real Application Clusters:

```
XAResourceManager:
Name=OracleXA
SwitchFile=UKor8dtc20.s1
XAOpenString=ORACLE_XA+SQLNET=diaz
+HostName=diaz.hursley.ibm.com
+PortNumber=1521
+ServiceName=racxa.test.com
+ACC=P/wbrkuid/wbrkpw
+sestm=100+threads=TRUE
+DataSource=MYDB+DB=MYDB+K=2+
XAcloseString=
ThreadOfControl=THREAD
```

4. Stop then restart the queue manager to apply the changes, because `qm.ini` is read only while the queue manager is running.

To stop then restart the queue manager, enter the following commands, where *queue\_manager\_name* is the name of the queue manager:

```
endmqm queue_manager_name
strmqm queue_manager_name
```

When the queue manager restarts, check the queue manager's log for any warnings that are associated with the restart. The log files are located in `/var/mqm/qmgrs/queue_manager_name/errors`, where *queue\_manager\_name* is the name of the queue manager that you restarted. When the queue manager restarts successfully, the changes that you made to `qm.ini` are applied.

Oracle is now configured for global coordination with a 64-bit queue manager coordinating transactions.

**Next:** you can deploy globally coordinated message flows to the broker.

## Configuring global coordination with Sybase

Configure your broker environment to globally coordinate message flow transactions with updates in Sybase databases under the control of a queue manager.

### Before you start:

- Ensure that the databases are configured for global coordination of transactions.

All WebSphere MQ Version 6 queue managers on 32-bit platforms run in 32-bit mode. 32-bit queue managers can coordinate transactions only in 32-bit mode and can coordinate message flows that are deployed only to 32-bit execution groups.

All WebSphere MQ Version 6 queue managers on 64-bit platforms run in 64-bit mode. 64-bit queue managers can coordinate transactions only in 64-bit mode. If the broker uses a 64-bit queue manager, you can globally coordinate message flows that are deployed to either 64-bit or 32-bit execution groups, but if you are using 32-bit execution groups, you must define the data source name of the user database in both `odbc32.ini` and `odbc64.ini`. If the broker uses a 64-bit queue manager, or has a 64-bit execution group, the databases to which the broker connects must also be 64-bit mode.

To configure your broker environment for global coordination using a WebSphere MQ queue manager as the transaction manager with the DataDirect drivers:

1. **Linux** **UNIX** On Linux and UNIX, run the `mqsimanagexalinks` command.
2. Configure the broker's queue manager with XA resource manager information for each database that is involved in the transaction that the queue manager will globally coordinate. If the message flows reference message dictionaries, or contain Publication nodes, you must use the same method to define XA resource manager information for the broker database and for the user databases.

### **Linux** **UNIX** On Linux and UNIX:

- a. Open the queue manager's `qm.ini` file in a text editor. The `qm.ini` file is located at `/var/mqm/qmgrs/queue_manager_name/qm.ini`, where `queue_manager_name` is the name of the broker that is associated with the queue manager.

- b. At the end of the `qm.ini` file, paste the following stanza:

```
XAResourceManager:  
  Name=SYBASEXA  
  SwitchFile=SwitchFileName  
  XAOpenString=-NSYBASEDB -MyServerName,MyPortNumber -Uuid -Ppwd -K2  
  XACloseString=  
  ThreadOfControl=THREAD
```

- c. The switch file is supplied by WebSphere Message Broker and varies by operating system. The following table shows the name of the switch file for each operating system.

Operating system	Switch file path
HP-UX on PA-RISC	UKasedtc20.sl
All other UNIX and Linux platforms (except Linux on System z)	UKasedtc23.so

- d. On the **XAOpenString** line, replace the following values with values that are appropriate for your configuration:
- *MyServerName* is the name of the TCP/IP host that hosts the Sybase ASE server.
  - *MyPortNumber* is the TCP/IP port on which the Sybase ASE server is listening.
  - *uid* must be the user name that the broker uses to connect to the database. The user name that the broker uses can be defined in a number of ways. If you use the **-u** parameter on the `mqsicreatebroker` command when you create the broker, this user name is used to connect to the database, unless the `mqsisetdbparms` command has been used to associate a specific user name and password with a specific data source name (DSN). If you use neither the **-u** parameter on the `mqsicreatebroker` command, nor the `mqsisetdbparms` command, the name used is the broker's service user name, which you define with the **-i** parameter on the `mqsicreatebroker` command.
  - *pwd* is the password that is associated with the user name.
- e. Accept the default values for all the other lines in the stanza. For example:

- On AIX:
 

```
XAResourceManager:
  Name=SYBASEXA
  SwitchFile=UKasedtc23.so
  XAOpenString=-NSYBASEDB -Adiaz,1521 -Uwbrkuid -Pwbrkpw -K2
  XACloseString=
  ThreadOfControl=THREAD
```
- On HP-UX on PA-RISC:
 

```
XAResourceManager:
  Name=SybaseXA
  SwitchFile=UKasedtc20.s1
  XAOpenString=-NSYBASEDB -Adiaz,1521 -Uwbrkuid -Pwbrkpw -K2
  XACloseString=
  ThreadOfControl=THREAD
```

#### On Windows:

- From the **Start** menu, open WebSphere MQ Explorer.
- Open the queue manager's Properties dialog box, then open **XA resource managers**.
- In the **SwitchFile** field, enter the full path to the switch file, as shown in the following example where *install\_dir* is the location in which the broker is installed:
 

```
install_dir\bin\ukase23.d11
```
- In the **XAOpenString** field, paste the following string:
 

```
-NSYBASEDB -AMyServerName,MyPortNumber -WWinsock -Uuid -Ppwd -K2
```
- In the **XAOpenString** field, replace the values with values that are appropriate for your configuration:
  - *install\_dir* is the location in which the broker is installed.
  - *MyServerName* is the name of the TCP/IP host that hosts the Sybase ASE server.
  - *MyPortNumber* is the TCP/IP port on which the Sybase ASE server is listening.
  - *uid* must be the user name that the broker uses to connect to the database. The user name that the broker uses can be defined in a number of ways. If you use the **-u** parameter on the `mqsicreatebroker` command

when you create the broker, this user name is used to connect to the database, unless the `mqsisetdbparms` command has been used to associate a specific user name and password with a specific data source name (DSN). If you use neither the `-u` parameter on the `mqsicreatebroker` command, nor the `mqsisetdbparms` command, the name used is the broker's service user name, which you define with the `-i` parameter on the `mqsicreatebroker` command.

- `pwd` is the password that is associated with the user name.

For example:

```
-NSYBASEDB -Adiaz,1521 -WWinsock -Uwbrkuid -Pwbrkpw -K2
```

- f. Accept the default values for all the other fields on the page.
3. Stop then restart the queue manager to apply the changes, because `qm.ini` is read only while the queue manager is running.

To stop then restart the queue manager, enter the following commands, where `queue_manager_name` is the name of the queue manager:

```
endmqm queue_manager_name  
strmqm queue_manager_name
```

When the queue manager restarts, check the queue manager's log for any warnings that are associated with the restart. The log files are located in `/var/mqm/qmgrs/queue_manager_name/errors`, where `queue_manager_name` is the name of the queue manager that you restarted. When the queue manager restarts successfully, the changes that you made to `qm.ini` are applied.

Sybase is now configured for global coordination with your queue manager coordinating transactions.

**Next:** you can deploy globally coordinated message flows to the broker.

---

## Configuring the workbench

You can configure a variety of settings in the workbench to suit your requirements.

The following topics show you how to configure aspects of the workbench.

- "Changing workbench preferences"
- "Changing workbench capabilities" on page 302
- "Changing Broker Administration preferences" on page 303
- "Configuring CVS to run with the Message Broker Toolkit" on page 303

A minimum display resolution of at least 1024 x 768 is required for some dialog boxes, such as the Preferences dialog box.

## Changing workbench preferences

The workbench has a large number of preferences that you can change to suit your requirements. Some of these are specific to the product plug-ins that you have installed within the workbench, including those for WebSphere Message Broker. Others control more general options, such as the colors and fonts in which information is displayed.

To access the workbench preferences:

1. Select **Window** → **Preferences**.

2. Click the plus sign associated with **Workbench**, typically the first entry in the left pane. An expanded list of options appears, Select the aspect of the workbench that you want to modify. These options might be of interest:

#### **Startup and shutdown**

Switch on, or off, the prompt at toolkit startup that asks you to confirm the workspace location. Typically you switch this prompt off, so that it does not appear, but you can force it to appear next time you start the workbench if you want to specify a different location.

You can also choose to display, or not display, the dialog that asks you to confirm shutdown of the workbench.

#### **Colors and fonts**

Change the default fonts and colors that appear in the workbench.

#### **Perspectives**

On this dialog, your choices include the option to open a new perspective in a new window.

3. When you have made your changes, click **OK** to close the Preferences dialog.

Below the Workbench category in the Preference dialog are items that refer specifically to WebSphere Message Broker resources, such as message flows. Review the following topics for information about setting preferences and other values that are specific to your use of these resources:

- Message flow preferences
- Changing ESQL preferences
- Configuring message set preferences
- Setting flow debugger preferences
- Changing trace settings

## **Changing workbench capabilities**

You can configure the workbench to disable access to some of the functional capabilities of WebSphere Message Broker.

**Capabilities** is an Eclipse concept that allows you to enable or disable the components of a product. By default, all components of the workbench are enabled.

To access the workbench capabilities:

1. Select **Window** → **Preferences**.
2. Click the plus sign associated with **General**. An expanded list of options appears.
3. Click **Capabilities**. You can use the capabilities that are listed to enable or disable various product components; the capabilities are grouped according to a set of predefined categories.
4. Select **Message Broker Toolkit** from the list of capabilities that is displayed, and select the **Advanced** button. A window opens that has a check box for each of the predefined categories.
5. Select the check boxes for the categories that you want to either enable or disable; click either the **Enable All** or **Disable All** button and click **OK**. A pane describes the functionality that is enabled following this action.

The predefined categories for the workbench are listed below, together with a reference to more information about the relevant functional area of WebSphere Message Broker:

- **Message Broker Toolkit - Administration.** See “Administering the broker domain” on page 315.
- **Message Broker Toolkit - Core.** See Message Broker Toolkit.
- **Message Broker Toolkit - Development.** See Developing applications.

## Changing Broker Administration preferences

You can change the following Broker Administration preferences:

- Show empty projects in the Navigator views.
- Show ACL restricted objects in the Navigator views.
- Warn before deleting alerts.
- Prompt to perform a topology deploy after changes. You can change this to never deploy, always a delta deploy, or always a complete deploy.
- Prompt to perform a topics deploy after changes. You can change this to never deploy, always a delta deploy, or always a complete deploy.

To change Broker Administration preferences:

1. Switch to the **Broker Administration perspective**.
2. Click **Window** → **Preferences**.
3. Expand the **Broker Administration** category in the left pane.
4. Make your selections.
5. Click **OK**.

## Configuring CVS to run with the Message Broker Toolkit

Install CVS as a normal program by following the usual prompts. Not all versions of CVSNT are supported by Eclipse.

1. Configure CVS by carrying out the following tasks:
  - a. Create a directory on your computer, for example, on Windows - c:\CVSRepository.
  - b. Start the CVSNT control panel. Select Start->Programs->CVSNT to see the icon on the desktop.
  - c. Stop both the CVS Service and the CVS Lock Service.
  - d. Select the Repositories tag, click **Add** and create a new repository. Note that no entry appears on the screen the first time that you do this.
  - e. Use the ... button on the next window to select the directory that you created in step 1a and click **OK**. Note that when CVS has finished formatting its repository the backslash in the directory name is changed to a forward slash.
  - f. Select the Service Status tab and restart both the CVS Service and the CVS Lock Service.
2. Enable the CVS Revision tag to be populated in the Eclipse Version fields in the Message Broker Toolkit. To do this on Windows:
  - a. Select Window->Preferences
  - b. Expand the Team section and click **CVS**

- c. Use the drop down in the **Default keyword substitution:** field and set the value to ASCII with keyword expansion(-kkv)
3. Add the WebSphere Message Broker file types to the Eclipse CVS configuration. To do this:
  - a. Select **File Content** in the Team section of the window you opened in step 2 on page 303
  - b. Click **Add** and add msgflow as an allowable file extension. Ensure that the value is set to ASCII.
  - c. Repeat the above procedure for the following file extensions that the broker uses:
    - esql
    - mset
    - mxsd

If you use CVS to store other file types, for example, COBOL copybooks add the appropriate file types as well.
  - d. Click **OK** when you have finished.

## Configuring the Message Broker Toolkit to run Rational ClearCase

To use Rational® ClearCase with the Message Broker Toolkit, enable the capability in the Preferences page.

To enable Rational ClearCase in the Message Broker Toolkit:

1. Click **Window** → **Preferences** to open the Preferences window.
2. Expand **General** in the left pane, and click **Capabilities**.
3. In the Capabilities pane, click **Advanced**. The Advanced window opens.
4. Expand **Team**, and ensure that **ClearCase SCM Adapter** is selected.
5. Click **OK** to close the Advanced window.
6. Click **OK** or **Apply** to apply your changes.

After you enable the ClearCase capability, the ClearCase menu is displayed in the Broker Application Development perspective.

To work with ClearCase:

1. Click **ClearCase** → **Connect to Rational ClearCase**.
2. Right-click your project and click **Team** → **Add to Version Control** to add your projects to the ClearCase source control.
3. After you have added your projects to the ClearCase source control, you can perform ClearCase operations.

## Displaying selected projects in working sets

### Before you start:

Read the information about working sets in the concept topic about Resources.

A *working set* is a logical collection of application projects, that you can use to limit the number of resources that are displayed in the Broker Development view.



Creating and using a working set allows you to reduce the visual complexity of what is displayed in the Broker Development view, making it easier to manage and work with your application projects.

To create a new working set:

1. Click on the down arrow to the right of the **Active working set** field in the Broker development view. By default this field contains <all resources>. A list is displayed containing existing working sets (if there are any) and options for editing and deleting existing working sets, and for creating a new working set.
2. Click **New Working Set**. The New Working Set window is displayed.
3. Type the name that you want to give to your new working set in the **Working set name** field.
4. Select from the displayed list each of the application projects that you want to include in this working set. You can also include all of the projects that are dependent on your selected application projects, by selecting **Automatically include dependent projects in this working set**.
5. Click **Finish**.

The new working set and its associated resources are displayed in the Broker Development view.

In addition to creating new working sets, you can also select, edit, and delete existing working sets using the options in the Broker Development view menu.

---

## Changing locales

You can change the locale for the system on which a runtime component is installed.

The way in which you change the locale depends on the operating system:

- “Changing your locale on UNIX and Linux systems”
- “Changing your locale on Windows” on page 307
- “Changing your locale on z/OS” on page 308

WebSphere Message Broker uses code page converters to support character sets from different environments. “Code page converters” on page 308 describes what a code page converter is, and how to generate new converters.

## Changing your locale on UNIX and Linux systems

You can change your system locale on UNIX and Linux systems.

You can set environment variables to control the system locale. These can be defined in your environment to be system-wide, or on a per-session basis:

### **LC\_ALL**

Overrides all LC\_\* environment variables with the given value

### **LC\_CTYPE**

Character classification and case conversion

### **LC\_COLLATE**

Collation (sort) order

### **LC\_TIME**

Date and time formats

<b>LC_NUMERIC</b>	Non-monetary numeric formats
<b>LC_MONETARY</b>	Monetary formats
<b>LC_MESSAGES</b>	Formats of informative and diagnostic messages, and of interactive responses
<b>LC_PAPER</b>	Paper size
<b>LC_NAME</b>	Name formats
<b>LC_ADDRESS</b>	Address formats and location information
<b>LC_TELEPHONE</b>	Telephone number formats
<b>LC_MEASUREMENT</b>	Measurement units (Metric or Other)
<b>LC_IDENTIFICATION</b>	Metadata about the locale information
<b>LANG</b>	The default value, which is used when either LC_ALL is not set, or an applicable value for LC_* is not set
<b>NLSPATH</b>	Delimited list of paths to search for message catalogs
<b>TZ</b>	Time zone

LC\_MESSAGES and NLSPATH are the most important variables to the broker. These variables define the language and location of response messages that the broker uses. The broker profile file, mqsiprofile, sets NLSPATH. Either you, or your system must set LC\_MESSAGES. The value set in LC\_MESSAGES must be a value that the broker recognizes. LC\_CTYPE is also important to the broker because it defines the character conversion that the broker performs when interacting with the local environment.

If you use common desktop environment (CDE), use this to set the locale instead of setting LANG and LC\_ALL directly. The NLSPATH variable respects either method. Before setting the code page, check that it is one of the Supported code pages.

For example, to set WebSphere Message Broker to run in a UTF-8 environment set the following values in the profile:

```
LANG=en_US.utf-8
LC_ALL=en_US.utf-8
```

Where en\_US sets the language, and utf-8 sets the code page.

You can use the executable `locale` to show your current locale. The command `locale -a` displays all the locales currently installed on the machine. Make sure that the locale you select for LANG and LC\_ALL is in the list that `locale -a` returns. The values that `locale` uses and returns are case-sensitive, so copy them exactly when assigning them to an environment variable.

When you start a broker component, the locale of that component is inherited from the shell in which it is started. The broker component uses the LC\_MESSAGES environment variable as the search path in the NLSPATH environment variable (LC\_MESSAGES is set when variable LC\_ALL is exported).

Messages are sent to the syslog in the code page set by this locale. If you have multiple brokers that write to this syslog, their messages are in the code page of the locale in which they were started, for example:

locale	syslog code page	ccsid
pt_BR	iso8859-1	819
Pt_BR	ibm-850	850
PT_BR	utf-8	1208

Set the locale of the user ID that runs the syslog daemon to one that is compatible with the locales of all brokers that write to the syslog on that system, for example, utf-8. You can do this by setting the default locale. On Solaris, set the LANG and LC\_ALL variables in /etc/default/init. On AIX and Linux, these variables are in /etc/environment. This task is not required on HP-UX.

For full time zone support in the broker, set the TZ variable using Continent/City notation. For example set TZ to Europe/London to make London, England the time zone, or set it to America/New\_York to make New York, America the time zone.

**AIX** If AIX Version 5.3 is installed on the computer on which you have created the broker, the TZ (timezone) environment variable might not work correctly in all locales. To overcome this situation, see the latest information available in techdoc AIX Version 5.3 timezone support (you must be connected to the Internet to access this document).

If you want to add a new locale, refer to the operating system documentation for information on how to complete that task. If the code page of the new locale is not supported by WebSphere Message Broker you must add it by “Generating a new code page converter” on page 309.

## Changing your locale on Windows

You can change your system locale on Windows.

The product components are started as services on Windows and are therefore influenced by the system locale. The command line functions are influenced by the user’s locale. WebSphere Message Broker on Windows has all its locale information installed by default. However, you might need to install additional locale packages if prompted to do so by Windows.

To change locale, you can do one of the following:

- Install a locale-specific operating system.
- Alter the system or user locale by selecting *Regional Settings* in the Control Panel.

Messages are sent to the Event Log in the code page set by the current locale.

You can use the `chcp` command to change the active console code page. Enter the command at a command prompt; if you enter `chcp` without a parameter, it displays the current setting. If you enter it with a code page, it changes to that code page.

For example, to check the current code page setting:

```
C:\>chcp
Active code page: 437
```

The current page is displayed (437 is US-ASCII). If you want to change this to GB18030, enter:

```
C:\>chcp 54936
Active code page: 54936
```

Before using a code page, search for `windows-number` where *number* is the active code page you want to use in the list of Supported code pages. If the code page is not in the list, either use a code page that is in the list, or generate a new code page converter.

## Changing your locale on z/OS

You can change your system locale on z/OS.

If you want to change your system locale on z/OS, set the `LANG`, `LC_ALL`, and `NLS_PATH` variables. See “Installation information - broker and User Name Server” on page 180 and “Installation information - Configuration Manager” on page 194 for further information.

The locale is set in the appropriate component profile (`BIPBPROF` for the broker, `BIPCPROF` for the Configuration Manager, `BIPUPROF` for the User Name Server) and you must run `BIPGEN` to create the component `ENVFILE`.

You can use the UNIX System Services (USS) executable `locale` to show your current locale. The command `locale -a` displays all the locales currently installed on the machine. Refer to the operating system documentation for information about adding new locales. If you add a new locale after you have installed WebSphere Message Broker, install that locale’s message catalogs from the original install media.

You can set WebSphere Message Broker to operate with a specific code page. Set the code page after a period in the `LANG` and `LC_ALL` variable. This example sets the locale to `En_us` and the code page to `IBM-1140` (EBCDIC `En_us` with euro):

```
LANG=En_us.IBM-1140
LC_ALL=En_us.IBM-1140
```

Make sure that the selected code page is one of the Supported code pages. If the code page is not in the list, either use a code page that is in the list, or generate a new code page converter.

## Code page converters

WebSphere Message Broker performs string operations in Universal Character Set coded in 2 octets (UCS-2). If incoming strings are not encoded in UCS-2, they must be converted to UCS-2. The broker uses international components for Unicode (ICU) code page converters to do this. The Unicode Consortium has further information on Unicode.

A code page converter is a mapping from the byte sequence in one code page to a serialized representation of UCS-2, known as UCS Transformation Format 16 bit form (UTF-16). A code page converter allows the broker to create a UCS-2 representation of an incoming string.

An example of the use of code page converter is:

- A message comes in on a queue from z/OS, with the MQ CCSID field set to 1047 (LATIN-1 Open Systems without euro). The broker looks up ibm-1047 and uses the resulting converter to create a UCS-2 representation for internal use.

WebSphere Message Broker currently supports the code pages listed in Supported code pages. If you need support for an additional code page, or if you require a different variant of a code page, you can extend the broker to support this code page.

### Generating a new code page converter

Generate a code page converter to handle conversions of data that belongs to a code page that is not in the default set of code pages provided by WebSphere Message Broker.

#### Before you start:

- Read “Code page converters” on page 308, which provides information about what a code page converter is, and about the code pages that WebSphere Message Broker supports.

To generate a new code page converter:

1. Create or find a mapping data file with the file extension `.ucm` for the converter that you require. You can download `.ucm` files from the ICU Character set mapping files archive. These mapping data files are available and can be modified without restriction. An example mapping data file is `ibm-1284_P100-1996.ucm`.
2. Rename the `.ucm` to a file name with the format `ibm-number.ucm` where *number* is a number that you choose to identify the code page. Make sure that this number is not already used in one of the Supported code pages. For example, you could rename `ibm-1284_P100-1996.ucm` to `ibm-1284.ucm`.
3. Go to ICU downloads and download the binary distribution for your system. An exact match is not important provided that the binary files are compatible. If you have problems building the converter, see the ICU user guide.
4. Extract the files from the binary distribution archive into a temporary directory.
5. Copy the library and binary files to a directory within the environment `PATH` and `LIBPATH`. (Alternatively, copy the library and binary files to directory that is not temporary and modify the environment `PATH` and `LIBPATH` to include this directory.)
6. One of the extracted files is `makeconv.exe`; use this `makeconv` tool to convert the mapping data file (`.ucm` files) into a binary converter file (`.cnv` file), by entering the following command:

```
makeconv -p ICUDATA mapping_file.ucm
```

where *mapping\_file.ucm* is the mapping data file that you are using.

The name of the binary converter file that `makeconv` produces is:

```
icudt32<platform-suffix>_<mapping_file>.cnv
```

where:

- *<platform-suffix>* is one of the following values:
  - l for little-endian ASCII platforms
  - b for big-endian ASCII platforms
  - e for EBCDIC platforms
- *<mapping\_file>* is the name of the mapping data file that was converted.

To make the .cnv file for ibm-1284.ucm, use the following command:

```
makeconv -p ICUDATA ibm-1284.ucm
```

7. Copy the file with the file extension .cnv for the code page that you need, into a directory that WebSphere Message Broker can access; for example, on UNIX: /var/mqsi/converters.
8. Associate the broker with the code page converter by entering the name of the directory where the converter is stored:
  - To create a new broker that is associated with the converter, include the **-c** parameter on the mqsicreatebroker command.
  - To alter an existing broker to recognize the converter, include the **-c** parameter on the mqsichangebroker command.
  - To affect all the products and the broker command-line tools that are using ICU, add the *directory* to the **ICU\_DATA** environment variable. If you have already used either the mqsicreatebroker command or the mqsichangebroker command to specify the code page converter to be used, the broker ignores the **ICU\_DATA** value.

If you are using a converter that matches one of the built-in converters that are provided with Version 6.0, and that converter is the local code page for the broker, do not use the mqsicreatebroker command with the **-c** parameter to set the converter path. Use the **ICU\_DATA** environment variable instead.

## Using converters from a previous level of the product

If you have applications that need a code page that is not in the default set of code pages that WebSphere Message Broker Version 6.1 supports, you can use a code page from an earlier version of WebSphere Message Broker.

### Before you start:

- Read “Code page converters” on page 308, which provides information about what a code page converter is, and about the code pages that WebSphere Message Broker supports.

The changes in converters between WebSphere Business Integration Message Broker Version 5.0 and WebSphere Message Broker Version 6.1 are significant, therefore the set of converters from the previous level has been included with WebSphere Message Broker Version 6.1.

To use one of the converters from the previous version:

1. Extract the list of WebSphere Business Integration Message Broker Version 5.0 code page converters from your installation directory to a temporary directory:
  - On Windows: extract *install\_dir\sample\converters\mqsiconverters-v5.zip*
  - On Linux: extract *install\_dir/sample/converters/mqsiconverters-v5.tar.bz2*
  - On UNIX: extract *install\_dir/sample/converters/mqsiconverters-v5.tar.gz*

where *install\_dir* is the directory you have specified for your WebSphere Message Broker installation.

2. Find the .cnv file for the code page that you want in the temporary directory, and copy it to a directory that is accessible by the broker. Give the file a unique name to make sure that the copied file does not conflict with an existing converter; do not use a number that is already used in one of the supported code pages. For example:

- **Linux** **UNIX** On Linux and UNIX systems, copy the file to `/var/mqsi/converters`.
- **Windows** On Windows systems, copy the file to `%ALLUSERSPROFILE%\Application Data\IBM\MQSI\converters` where `%ALLUSERSPROFILE%` is the environment variable that defines the system working directory. The default directory depends on the operating system:
  - On Windows XP and Windows Server 2003: `C:\Documents and Settings\All Users\Application Data\IBM\MQSI\converters`
  - On Windows Vista and Windows Server 2008: `C:\ProgramData\IBM\MQSI\converters`

The actual value might be different on your computer.

If the converter will be used by ESQL, the converter must be of the form `ibm-<ccsid>`, because converters are referenced through their numeric CCSID, not their name.

3. Associate the broker with the code page converter by entering the name of the directory where you have stored the converter.

If you are using a converter that matches one of the built-in converters that are provided with Version 6.1, and that converter is the local code page for the broker, do not use the `mqsicreatebroker` or `mqsichangebroker` command with the `-c` parameter to set the converter path. Use the `ICU_DATA` environment variable instead.

- To create a new broker that is associated with a converter, include the `-c` parameter on the `mqsicreatebroker` command.
- To alter an existing broker to recognize the converter, include the `-c` parameter on the `mqsichangebroker` command. For example:  
`mqsichangebroker broker_name -c directory`
- To affect all the products and the broker command-line tools using international components for Unicode (ICU), add the directory to the `ICU_DATA` environment variable.

If you have already used either the `mqsicreatebroker` command or the `mqsichangebroker` command to specify the code page converter to be used, the broker ignores the `ICU_DATA` value.

Copy the entire set of converters (\*.cnv) and aliases (\*.icu) to reproduce the behavior of the previous level of the product.





---

## Part 3. Administering the broker domain

<b>Administering the broker domain</b> . . . . .	315
Connecting to and disconnecting from the broker domain . . . . .	315
Connecting to and disconnecting from the broker domain on z/OS . . . . .	316
Starting and stopping message flows . . . . .	318
Starting and stopping a broker . . . . .	319
Starting and stopping a broker on Linux and UNIX systems . . . . .	319
Starting and stopping a broker on Windows . . . . .	319
Starting and stopping a broker on z/OS . . . . .	320
Starting and stopping a Configuration Manager . . . . .	321
Starting and stopping a Configuration Manager on Linux and UNIX systems . . . . .	321
Starting and stopping a Configuration Manager on Windows. . . . .	321
Starting and stopping a Configuration Manager on z/OS . . . . .	322
Starting and stopping the User Name Server . . . . .	323
Starting and stopping the User Name Server on Linux and UNIX systems . . . . .	323
Starting and stopping the User Name Server on Windows. . . . .	324
Starting and stopping the User Name Server on z/OS . . . . .	324
Starting a WebSphere MQ queue manager as a Windows service . . . . .	325
Stopping a WebSphere MQ queue manager when you stop a component . . . . .	326
Viewing broker domain log information . . . . .	326
Refreshing broker domain log information. . . . .	327
Filtering broker domain log information . . . . .	327
Saving broker domain log information . . . . .	329
Clearing broker domain log information . . . . .	329
Changing the location of the work path . . . . .	330
Changing the location of the work path on Windows systems . . . . .	330
Changing the location of the work path on Linux and UNIX systems . . . . .	331
Changing Event Log editor preferences. . . . .	331
Backing up resources . . . . .	332
Backing up the broker domain on distributed systems . . . . .	332
Backing up the broker domain on z/OS . . . . .	334
Backing up the Message Broker Toolkit workspace . . . . .	335



---

## Administering the broker domain

Administering the broker domain includes the tasks that you operate frequently to activate and run your broker domain. There are a number of techniques that you can use to administer your broker domain.

Common tasks for administering the broker domain are listed below:

- “Connecting to and disconnecting from the broker domain”
- “Starting and stopping message flows” on page 318
- “Starting and stopping a broker” on page 319
- “Starting and stopping a Configuration Manager” on page 321
- “Starting and stopping the User Name Server” on page 323
- “Starting a WebSphere MQ queue manager as a Windows service” on page 325
- “Stopping a WebSphere MQ queue manager when you stop a component” on page 326
- “Viewing broker domain log information” on page 326
- “Refreshing broker domain log information” on page 327
- “Filtering broker domain log information” on page 327
- “Saving broker domain log information” on page 329
- “Clearing broker domain log information” on page 329
- “Changing Event Log editor preferences” on page 331
- “Backing up resources” on page 332

These tasks can be performed using one, or more, of the administrative techniques available with WebSphere Message Broker:

- The Message Broker Toolkit
- The WebSphere Message Broker commands
- The Configuration Manager Proxy Java API

For each task, the administrative techniques that can be used are identified.

---

## Connecting to and disconnecting from the broker domain

You can connect to, and disconnect from, the broker domain by using either the Message Broker Toolkit or the Configuration Manager Proxy Java API.

### **Before you start:**

You must complete the following task:

- “Creating a domain connection” on page 246

This topic describes how to use the Message Broker Toolkit to connect to the broker domain. For information about how to use the Configuration Manager Proxy, see Connecting to the Configuration Manager using the Configuration Manager Proxy.

Use a domain connection to connect to the broker domain in the workbench.

The following steps show you how to connect to the broker domain and how to disconnect from the broker domain.

1. To connect to the broker domain:
  - a. Switch to the Broker Administration perspective.
  - b. In the Domains view, right-click the broker domain to which you want to connect, and click **Connect**. This starts the domain connection to the Configuration Manager.

When connected, the workbench status line is changed (for example *WBRK\_QM@localhost:1414* is connected). The Broker Topology and Topics are populated, and the broker domain and broker topology icons change to reflect the connected state.

On successful connection, the Configuration Manager name is shown in the Domains view in the form *ConfigurationManagerName* on *QMgrName@Hostname:PortNumber*.

**Note:** If you click **Cancel** while the connection is being attempted, the connection that is in progress stops and the domain returns to its initial unconnected state.

2. To disconnect from the broker domain:
  - a. Switch to the Broker Administration perspective.
  - b. In the Domains view, right click the broker domain from which you want to disconnect, and click **Disconnect**. The connection to the Configuration Manager is broken.

When disconnected, the workbench status line is changed (for example *WBRK\_QM@localhost:1414* is *not* connected). All brokers and topics are removed from the domains navigator tree, and the broker domain and broker topology icons change to reflect the disconnected state.

---

## Connecting to and disconnecting from the broker domain on z/OS

How to connect to, and disconnect from, the broker domain on z/OS.

### Before you start:

You must complete the following tasks:

- “Creating a Configuration Manager on z/OS” on page 193.
- Create and start a listener for the Configuration Manager. For details on how to create and start a listener, follow the instructions for listeners in the topic: “Starting the WebSphere MQ channels and listeners” on page 210.

Ensure that your Message Broker Toolkit machine and user ID have the appropriate authorization on the z/OS Configuration Manager.

In SDSF, grant access to your user ID.

1. For this to work on all machines, enter:

```
'/F <started task name> CA U=<userID>,A=YES,P=YES,X=F'
```

or to grant access to your user ID for a specific machine, enter:

```
'/F <started task name> CA U=<userID>,A=YES,M=<machine name>,P=YES,X=F'
```

2. Verify the previous step by entering:

```
/F <configmgrname>,LA
```

This topic shows you how to:

- Create a domain connection in the workbench using the Create a Domain Connection wizard.
- Enter a set of parameters to create a .configmgr file.
- Use the parameters contained within the .configmgr file to connect to the Configuration Manager, where you can view and edit your broker domain.

To create a domain connection:

1. Switch to the Broker Administration perspective.
2. In the Domains view, right-click the default configuration manager.
3. Click **New** → **Domain Connection** to open the Create a Domain Connection wizard.
4. In the Create a Domain Connection wizard, enter:
  - a. The value for the **Queue Manager Name** that the Configuration Manager is using. This property is mandatory.
  - b. The **Host** name or IP address of the machine on which the Configuration Manager is running (the default is localhost). This property is mandatory.
  - c. The TCP **Port** on which the WebSphere MQ queue manager is listening (the default is 1414). This property must be a valid positive number.
  - d. Optional: The **Class** of the Security Exit required to connect to the WebSphere MQ queue manager. This property must be a valid Java class name, but you can leave this field empty if it does not apply to your domain connection. See “Using security exits” on page 69.
  - e. Optional: The **JAR File Location** for the Security Exit required to connect to the WebSphere MQ queue manager. Click **Browse** to find the file location. You can leave this field empty if it does not apply to your domain connection.

**Note:** The **JAR File Location** is required if a Security Exit **Class** is entered.

- f. Optional: The **Cipher Suite**, **Distinguished Names**, **CRL Name List**, **Key Store**, and **Trust Store** parameters are required when enabling SSL. See “Implementing SSL authentication” on page 57. The **Cipher Suite** field displays available cipher suites. Click **More** to configure Custom SSL Cipher Suites in the Broker Administration Preferences window. If a **Cipher Suite** is not specified, all other fields in the SSL section are unavailable.

You can configure several domain connections in your workspace. Each domain connection has to address a different Configuration Manager, which needs to have a different WebSphere MQ **Queue Manager Name**, **Host** name, or TCP **Port** number. An error message is displayed in the Create a Domain Connection wizard if you try to create a second broker domain using the same **Queue Manager Name**, **Host** name, and **Port** number.

5. Click **Next** to begin the domain connection to the Configuration Manager.
6. If you click **Cancel**, the Create a Domain Connection wizard closes, forcing disconnection from the domain.
7. After the domain connection has been made, enter:
  - a. The name of your **Server Project**. The Server Project is the container for your domain connection. If you have not already created a server project, you can specify the name of a new project here. The server project is created with the domain connection.

- b. The **Connection name**. The Connection name is the name you give to the .configmgr file that contains the parameters to connect to the Configuration Manager.
8. Click **Finish** to create the domain connection.

The new domain connection is added to the Broker Administration Navigator view, under Domain Connections. The server project holds the .configmgr domain connection file.

The view of the broker domain is displayed in the Domains view.

---

## Starting and stopping message flows

Use the Message Broker Toolkit to start and stop message flows.

You can start and stop a message flow by using either the Message Broker Toolkit or the Configuration Manager Proxy Java API. This topic describes how to use the Message Broker Toolkit. For information about how to use the Configuration Manager Proxy, see Navigating broker domains using the Configuration Manager Proxy.

From the workbench you can start and stop:

- All message flows in all execution groups, assigned to a specific broker.
  - All message flows in a specific execution group.
  - A single message flow.
1. To start a message flow:
    - a. Switch to the Broker Administration perspective.
    - b. In the Domains view, expand your broker domain to locate your message flow:
      - To start all message flows in all execution groups for a broker, right-click the broker and click **Start Message Flows**.
      - To start all message flows in a specific execution group, right click the execution group and click **Start Message Flows**.
      - To start a single message flow, right-click the message flow and click **Start**.

The Configuration Manager sends a message to the broker to start the specified message flows.

A BIP0892I information message is displayed to show that the Configuration Manager has received the request. Verify the results of the deployment by opening the Event Log.

There might be a short delay for the Configuration Manager to respond.

The alert Message Flow is not running is removed from the Alert Viewer.

2. To stop a message flow:
  - a. Switch to the Broker Administration perspective.
  - b. In the Domains view, expand your broker domain to locate your message flow:
    - To stop all message flows in all execution groups for a broker, right-click the broker and click **Stop Message Flows**.
    - To stop all message flows in a specific execution group, right click the execution group and click **Stop Message Flows**.
    - To stop a single message flow, right-click the message flow, and click **Stop**.

- c. Open the Event Log for the broker domain. A BIP0892I information message is displayed to show that the Configuration Manager has received the request.

There might be a short delay for the Configuration Manager to respond.

The alert Message Flow is not running is added to the Alert Viewer.

---

## Starting and stopping a broker

Run the appropriate command to start or stop a broker.

### Before you start:

- Ensure that your user ID has the correct authorizations to perform the task. Refer to “Security requirements for administrative tasks” on page 683.
- On Linux, UNIX, and Windows systems, you must set up your command-line environment before performing this task, by running the product profile or console; refer to Setting up a command environment.

To start and stop a broker, use the `mqsisstart` and `mqsisstop` commands from the command line.

Follow the link for the appropriate platform.

- “Starting and stopping a broker on Linux and UNIX systems”
- “Starting and stopping a broker on Windows”
- “Starting and stopping a broker on z/OS” on page 320

## Starting and stopping a broker on Linux and UNIX systems

Run the appropriate command to start or stop a broker.

1. Run `./install_dir/bin/mqsiprofile` to source the `mqsiprofile` script and set up the environment for a single targeted runtime. You must do this before you can run any of the WebSphere Message Broker commands.

2. To start a broker, enter the following command on the command line:

```
mqsisstart WBRK_BROKER
```

Substitute your own broker name for `WBRK_BROKER`. The broker and its associated queue manager are started.

Check the system log to ensure that the broker has initialized successfully. The log contains messages about verification procedures; if all tests are successful, only an initial start message is recorded. If any verification test is unsuccessful, the log also includes messages that provide details of the tests that have failed. If errors have been reported, review the messages and take the suggested actions to resolve these problems.

3. To stop a broker, enter the following command on the command line:

```
mqsisstop WBRK_BROKER
```

Substitute your own broker name for `WBRK_BROKER`.

You can also request that the broker’s queue manager is stopped by this command. Refer to “Stopping a WebSphere MQ queue manager when you stop a component” on page 326.

## Starting and stopping a broker on Windows

Run the appropriate command to start or stop a broker.

1. Open the WebSphere Message Broker command console. When you open the console, it sets up the environment that you need to run any of the WebSphere Message Broker commands.

If you prefer, you can run the `install_dir/bin/mqsiprofile` command to set up the environment.

2. To start a broker, enter the following command on the command line:

```
mqsistart WBRK_BROKER
```

Substitute your own broker name for `WBRK_BROKER`.

You can also request that the broker's queue manager is started as a Windows service. Refer to "Starting a WebSphere MQ queue manager as a Windows service" on page 325.

The broker and its associated queue manager are started. The command initiates the startup of the broker's Windows service.

Check the Application Log in the Event Viewer to ensure that the broker has initialized successfully. The log contains messages about verification procedures; if all tests are successful, only an initial start message is recorded. If any verification test is unsuccessful, the log also includes messages that provide details of the tests that have failed. If errors have been reported, review the messages and take the suggested actions to resolve these problems.

3. To stop a broker, enter the following command on the command line:

```
mqsistop WBRK_BROKER
```

Substitute your own broker name for `WBRK_BROKER`.

You can also request that the broker's queue manager is stopped by this command. Refer to "Stopping a WebSphere MQ queue manager when you stop a component" on page 326.

## Starting and stopping a broker on z/OS

Run the appropriate command from SDSF to start or stop a broker.

1. Start the component by using the command `/S <broker name>`. This command produces the following output, where `MQP1BRK` is the name of the broker:

```
+BIP9141I MQP1BRK 0 The component was started
```

Substitute your own broker name for `MQP1BRK`.

The verification step runs, followed by starting the control process and any `DataFlowEngine` address spaces.

If the verification step fails for any reason, the errors are reported to the `STDOUT` stream in the `JOBLOG`; the control process and `DataFlowEngine` address spaces are not started. Review the messages to see what errors have been reported, and take the suggested actions to resolve these problems.

2. Alternatively, start the control process only by using the command:

```
/S broker_name,STRTP=MAN
```

If the verification step fails for any reason, the errors are reported to the `STDOUT` stream in the `JOBLOG`; the control process is not started. Review the messages to see what errors have been reported, and take the suggested actions to resolve these problems.

No `DataFlowEngine` address spaces are started automatically when specifying `STRTP=MAN`. If the verification step is successful and the control process starts successfully, fully start the broker by issuing the console command:

```
/F <broker name>, SC
```

3. To stop a broker, run the following command:

```
/P <broker name>
```



---

## Starting and stopping a Configuration Manager

Run the appropriate command to start or stop a Configuration Manager.

### Before you start:

- Ensure that your user ID has the correct authorizations to perform the task; refer to “Security requirements for administrative tasks” on page 683.
- On Linux, UNIX, and Windows systems, you must set up your command-line environment before performing this task, by running the product profile or console; refer to Setting up a command environment.

To start and stop a Configuration Manager, use the `mqsisstart` and `mqsisstop` commands from the command line.

Follow the link for the appropriate platform.

- “Starting and stopping a Configuration Manager on Linux and UNIX systems”
- “Starting and stopping a Configuration Manager on Windows”
- “Starting and stopping a Configuration Manager on z/OS” on page 322

## Starting and stopping a Configuration Manager on Linux and UNIX systems

Run the appropriate command to start or stop a Configuration Manager.

Use the `mqsisstart` and `mqsisstop` commands from the command line.

1. Run `./install_dir/bin/mqsiprofile` to source the `mqsiprofile` script and set up the environment for a single targeted runtime. You must do this before you can run any of the WebSphere Message Broker commands.
2. To start a Configuration Manager, enter the following command on the command line:

```
mqsisstart CMGR01
```

Substitute your own Configuration Manager name for `CMGR01`. The Configuration Manager and its associated queue manager are started.

Check the system log to ensure that the Configuration Manager has initialized successfully. The log contains messages about verification procedures; if all tests are successful, only an initial start message is recorded. If any verification test is unsuccessful, the log also includes messages that provide details of the tests that have failed. If errors have been reported, review the messages and take the suggested actions to resolve these problems.

3. To stop a Configuration Manager, enter the following command on the command line:

```
mqsisstop CMGR01
```

Substitute your own Configuration Manager name for `CMGR01`.

You can also request that the queue manager that hosts the Configuration Manager is stopped by this command. Refer to “Stopping a WebSphere MQ queue manager when you stop a component” on page 326.

## Starting and stopping a Configuration Manager on Windows

Run the appropriate command to start or stop a Configuration Manager.

Use the `mqsisstart` and `mqsisstop` commands from the command line.

1. Open the WebSphere Message Brokercommand console. When you open the console, it sets up the environment that you need to run any of the WebSphere Message Broker commands.

If you prefer, you can run the `install_dir/bin/mqsiprofile` command to set up the environment.

2. To start a Configuration Manager, enter the following command on the command line:

```
mqsistart CMGR01
```

Substitute your own Configuration Manager name for CMGR01. If you do not specify a name, the default of `configmgr` is used.

You can also request that the queue manager associated with the Configuration Manager is started as a Windows service. See “Starting a WebSphere MQ queue manager as a Windows service” on page 325. The Configuration Manager and its associated queue manager are started. The command initiates the startup of the Windows service for the Configuration Manager.

Check the Application Log in the Event Viewer to ensure that the Configuration Manager has initialized successfully. The log contains messages about verification procedures; if all tests are successful, only an initial start message is recorded. If any verification test is unsuccessful, the log also includes messages that provide details of the tests that have failed. If errors have been reported, review the messages and take the suggested actions to resolve these problems.

3. To stop a Configuration Manager, enter the following command on the command line:

```
mqsistop CMGR01
```

Substitute your own Configuration Manager name for CMGR01. If you do not specify a name, the default name `configmgr` is used.

You can also request that the queue manager that hosts this Configuration Manager is stopped by this command. See “Stopping a WebSphere MQ queue manager when you stop a component” on page 326.

## Starting and stopping a Configuration Manager on z/OS

Run the appropriate command from SDSF to start or stop a Configuration Manager.

1. Start the component by using the command `/S <Configuration Manager name>`. This command produces the following output where CMGR01 is the name of the Configuration Manager.

```
+BIP9141I CMGR01 0 The component was started
```

Substitute your own Configuration Manager name for CMGR01.

The verification step runs, followed by starting the control process and the Configuration Manager process.

If the verification step fails for any reason, the errors are reported to the STDOUT stream in the JOBLOG; the control process and Configuration Manager process are not started. Review the messages to see what errors have been reported, and take the suggested actions to resolve these problems.

2. Alternatively, start the control process only by using the command:

```
/S configmgr_name,STRTP=MAN
```

If the verification step fails for any reason, the errors are reported to the STDOUT stream in the JOBLOG; the control process is not started. Review the messages to see what errors have been reported, and take the suggested actions to resolve these problems.

The Configuration Manager process is not started automatically when specifying STRTP=MAN. If the verification step is successful and the control process starts successfully, fully start the Configuration Manager by issuing the console command:

```
/F <Configuration  
Manager name>, SC
```

3. To stop a Configuration Manager, run the following command:

```
/P CMGR01
```

Substitute your own Configuration Manager name for CMGR01.

---

## Starting and stopping the User Name Server

Run the appropriate command to start or stop the User Name Server.

### Before you start:

- Ensure that your user ID has the correct authorizations to perform the task. Refer to “Security requirements for administrative tasks” on page 683.
- On Windows, UNIX systems, and Linux, you must set up your command-line environment before performing this task, by running the product profile or console; refer to Setting up a command environment.

To start and stop a User Name Server use the **mqsistart** and **mqsistop** commands from the command line.

Follow the link for the appropriate platform.

- “Starting and stopping the User Name Server on Linux and UNIX systems”
- “Starting and stopping the User Name Server on Windows” on page 324
- “Starting and stopping the User Name Server on z/OS” on page 324

## Starting and stopping the User Name Server on Linux and UNIX systems

1. Run '`<install_dir>/bin/mqsiprofile`' to source the `mqsiprofile` script and set up the environment for a single targeted runtime. You must do this before you can run any of the WebSphere Message Broker commands.
2. To start a User Name Server enter the following command on the command line:

```
mqsistart UserNameServer
```

The User Name Server and its associated queue manager are started. Check the syslog to ensure that the User Name Server has initialized successfully. If errors have been reported, review the messages and take the suggested actions to resolve these problems.

3. To stop a User Name Server enter the following command on the command line:

```
mqsistop UserNameServer
```

You can also request that the User Name Server's queue manager is stopped by this command. Refer to “Stopping a WebSphere MQ queue manager when you stop a component” on page 326.

## Starting and stopping the User Name Server on Windows

The following steps show you how to start and stop a User Name Server.

1. Run the `<install_dir>/bin/mqsiprofile` command to set up the environment for a single targeted runtime. You must do this before you can run any of the WebSphere Message Broker commands.

2. To start a User Name Server:

- a. Enter the following command on the command line:

```
mqsistart usernameserver
```

The User Name Server and its associated queue manager are started. The command initiates the startup of the User Name Server's Windows service. Check the Application Log of the Windows Event Viewer to ensure that the User Name Server has initialized successfully. If errors have been reported, review the messages and take the suggested actions to resolve these problems.

You can also request that the queue manager that hosts the User Name Server is started as a Windows service. Refer to "Starting a WebSphere MQ queue manager as a Windows service" on page 325.

3. To stop a User Name Server enter the following command on the command line:

```
mqsistop usernameserver
```

You can also request that the queue manager that hosts the User Name Server is stopped by this command. Refer to "Stopping a WebSphere MQ queue manager when you stop a component" on page 326.

## Starting and stopping the User Name Server on z/OS

Run the appropriate command from SDSF to start or stop a User Name Server.

1. Start the component by using the command `/S <User Name Server name>`. This command produces the following output where MQP1UNS is the name of the User Name Server:

```
+BIP9141I MQP1UNS 0 The component was started
```

Substitute your own User Name Server name for MQP1UNS.

The verification step runs, followed by starting the control process and the User Name Server process.

If the verification step fails for any reason, the errors are reported to the STDOUT stream in the JOBLOG; the control process and User Name Server process are not started. Review the messages to see what errors have been reported, and take the suggested actions to resolve these problems.

2. Alternatively, start the control process only by using the command:

```
/S usernameserver_name,STRTP=MAN
```

If the verification step fails for any reason, the errors are reported to the STDOUT stream in the JOBLOG; the control process is not started. Review the messages to see what errors have been reported, and take the suggested actions to resolve these problems.

The User Name Server process is not started automatically when specifying `STRTP=MAN`. If the verification step is successful and the control process starts successfully, fully start the User Name Server by issuing the console command:

```
/F <User Name Server name>, SC
```

3. To stop a User Name Server, use the command:

```
/P <User Name Server name>
```

---

## Starting a WebSphere MQ queue manager as a Windows service

On Windows, you can start a WebSphere MQ queue manager as a Windows service to ensure the queue manager starts when you start your other components.

### Before you start:

You must complete the following task:

- Stop the queue manager for the WebSphere Message Broker component, using the `endmqm` command. If you prefer, you can use WebSphere MQ Version 5 Services or WebSphere MQ Version 6 Explorer.

When you start a WebSphere Message Broker component (broker, Configuration Manager, or User Name Server), the “`mqsistart` command” on page 616 starts the associated queue manager if it is not already running. When you start any of these components on Windows, it starts as a service on Windows, but the associated queue manager does not. You can change the properties of the queue manager service to set the startup type to automatic to enable the queue manager to run as a Windows service.

This change ensures that the operation of the queue manager is independent of the logged-on status of the user that starts the WebSphere Message Broker component.

To start a WebSphere MQ Version 5 queue manager as a Windows service:

1. Click **Start** → **Programs** → **IBM** → **IBM WebSphere MQ** → **WebSphere MQ Services**.
2. Right-click the queue manager and select **Properties**, and the **General** tab.
3. Change the **Startup Type** to *Automatic*. This setting ensures that the queue manager is started whenever the WebSphere MQ Service (a Windows service) is started.
4. (Optional) Change the properties of the WebSphere MQ Services service by updating its **Startup Type** to *Automatic* using the Control Panel. This setting starts WebSphere MQ Services when Windows itself starts and isolates the operation of the WebSphere MQ Services service from any logged on user.
5. Restart the queue manager for the WebSphere Message Broker component using the `strmqm` command or WebSphere MQ Services. The changes to the queue manager’s startup type take effect when you restart Windows.
6. Start the component using the “`mqsistart` command” on page 616.

To start a WebSphere MQ Version 6 queue manager as a Windows service:

1. Click **Start** → **Programs** → **IBM WebSphere MQ** → **WebSphere MQ Explorer**.
2. In the left pane, right-click the queue manager and select **Properties**. The Properties dialog opens. The General properties are displayed.
3. Find the Startup property and set it to *Automatic*.
4. Click **OK**. The Properties dialog closes and the change is applied.
5. Restart the queue manager for the WebSphere Message Broker component using the `strmqm` command or WebSphere MQ Explorer. The changes to the queue manager’s startup type take effect when you restart Windows.
6. Start the component using the “`mqsistart` command” on page 616.

---

## Stopping a WebSphere MQ queue manager when you stop a component

If you are preparing to stop a broker, Configuration Manager or User Name Server, you can stop the component's WebSphere MQ queue manager at the same time.

You can specify a `-q` parameter on the `mqsistop` command to initiate a controlled shutdown of the queue manager for a WebSphere Message Broker component. If you are using a single queue manager to support more than one WebSphere Message Broker component (a single broker can also be defined on the same queue manager as a Configuration Manager, or the User Name Server, or both), specify the `-q` flag only on the final stop command, having stopped the other components first. The `-q` flag initiates a queue manager termination regardless of any other component currently using that queue manager.

To stop a WebSphere MQ queue manager enter the following command on the command line:

```
mqsistop WBRK_BROKER -q
```

where:

`WBRK_BROKER` is the name of the component.

`-q` stops the WebSphere MQ queue manager associated with the component.

The command cannot complete until shutdown of the queue manager has completed.

---

## Viewing broker domain log information

You can view broker domain log information by using either the Message Broker Toolkit or the Configuration Manager Proxy Java API.

This topic describes how to use the Message Broker Toolkit. For information about how to use the Configuration Manager Proxy (CMP), see *Developing applications using the CMP* and Class `com.ibm.broker.config.proxy.LogProxy`.

Broker domain log information is written to the Event Log editor in the workbench.

The Event Log contains information about events that occur within your broker domain. These events can be information, errors, or warnings and relate to your own actions. To view events for a particular broker, look for the name of the broker in the Source column.

Each event contains the following information:

- Message: The event number.
- Source: Where the event has come from (within the broker domain).
- TimeStamp: The date and time that the event occurred. TimeStamps are taken from the computer that is hosting the Configuration Manager.
- Details: What has caused the event and what action is needed to rectify it.

The following steps show how to view broker domain log information.

1. Switch to the Broker Administration perspective.
2. In the Domains view, expand the broker domain with which you want to work, to reveal the Event Log.

3. Double-click the Event Log. All broker domain log information specific to the broker domain with which you are working is displayed in the Event Log editor.

If the broker domain is not connected, you are prompted to connect to the broker domain before the Event Log is opened.

The Event Log editor has two panes called Logs and Details. The top half of the view lists all the events, in date and time order. The bottom half of the view shows the details of a specific selected event. You can maximize and minimize each pane, and toggle between them.

4. Click the event that you want to view in more detail from the top half of the Event Log view. The details of this event can then be viewed in the bottom half of the view.

When you filter information, as described in “Filtering broker domain log information,” a note appears next to the view label to indicate that a filter has been applied.

---

## Refreshing broker domain log information

Messages about events that occur in the broker domain are created in the Event Log editor.

New messages display automatically in the Event Log. However, you can refresh the Event Log at any time if you:

1. Switch to the **Broker Administration perspective**.
2. In the **Domains** view, expand the appropriate domain to display its components.
3. Double-click on **Event Log** to launch the Event Log editor in the editor area.
4. Right-click in the **Logs** pane and click **Revert** from the context menu that appears. **Revert** only hides existing messages; this option does not remove or overwrite existing messages in the Event Log editor or the configuration repository.

---

## Filtering broker domain log information

Broker domain log information is written to the Event Log editor in the workbench.

The Event Log contains information about events that occur in a broker domain. For each event, the Event log records the following details:

- Event type (whether the event is information, an error or a warning)
- Event source (what caused the event, and where it originates within the broker domain, for example the configuration manager, and specified message brokers)
- Event timestamp (the date and time when the event occurred)

You can filter on the type, the source and the timestamp of the message, to restrict the number of log entries that are displayed in the Event Log editor. You can also filter events, event by event, to view a particular set of events in the Event log editor. The filter settings you define are kept for your next session. A note also appears next to the view label to indicate that a filter has been applied.

To filter entries, use the Filter Event Log dialog:

1. Switch to the Broker Administration perspective.
2. In the Domains view, open the Event Log for the appropriate broker domain.

3. From the Event Log editor menu, click **Event Log editor> Filter Log ....** This action opens the Filter Log dialog.

The Filter Log dialog has the following controls:

- A check box for each of the three message types (information, error or warning)
- A check box for each of the possible message sources for all known entries so far
- Under the source check boxes, a **Select All** button to select all sources and a **Deselect All** button to deselect all sources
- A non-editable drop-down list containing each possible timestamp of all known entries so far
- A table of check box items for each log entry, with a vertical scroll bar to access additional entries
- Under the table, a **Select All** button to select all events, and a **Deselect All** button to deselect all events from this table
- A **Restore Defaults** button

In the default view of the Log Filter, all message type check boxes are selected, indicating that messages of all three types are displayed. All message source check boxes are also selected by default, indicating that messages of all sources are displayed. The timestamp is the one for the oldest known event so far. All events are selected in the table.

To restore the default settings, click **Restore Defaults** (the defaults are: all types selected, all sources selected, timestamp set to oldest event one, all events selected).

To discard all changes, click **Cancel**.

To save the current filter settings, click **OK**. This applies the settings to the opened editor (event filtering is based on the new settings, and the editor is refreshed).

Using the Event Log Filter, you can filter broker domain log information in the following ways:

- Filter by message type, so that the log only displays messages of a particular type:
  - a. Clear the check boxes for all three event types.
  - b. Check the check box of the event type that you want to view (you can view more than one type by selecting the appropriate check boxes). All events with the selected types are selected in the filter dialog table of entries.
  - c. Click **OK** to activate the filter. All events with the selected types are displayed in the editor.
- Filter by message source, so that the log only displays messages from one source:
  - a. Deselect all sources, click the **Deselect All** button under the source check boxes, or clear the check boxes for all sources.
  - b. Check the check box of the event source that you want to view (you can view more than one source by selecting the appropriate check boxes). You can also view all sources click by clicking the **Select All** button under the source check boxes. All events with the selected sources are selected in the filter dialog table of entries.
  - c. Click **OK** to activate the filter. All events with the selected sources are displayed in the editor.



- Filter by timestamp, so that the log hides messages generated before a specified timestamp:
  - a. Open the **Hide Events generated before** drop-down list by clicking the down arrow. Select the timestamp you want to filter on. All events generated before this timestamp are deselected in the filter dialog table of entries.
  - b. Click **OK** to activate the filter. All events generated before the reference timestamp are hidden in the editor. All other events are displayed.

You can combine filtering options (type, source, time stamp). The combinations you select are identified in the table (entries are automatically ticked or non-ticked to indicate the choices you make). The editor is also updated based on the events tables which combines all filtering options. Ticked entries are displayed, non-ticked entries are hidden. For incoming new events, the filtering options based on type, source, timestamp are applied.

---

## Saving broker domain log information

Broker domain log information is written to the Event Log Editor in the workbench.

Event Log information is deleted automatically from the Configuration Manager after 72 hours.

To save broker domain log information:

1. Switch to the Broker Administration perspective.
2. Open the Event Log for the appropriate broker domain.
3. Right-click in the Event Log view and click **Save Log As...**
4. You are prompted to save the log information to an appropriate directory.  
By default the log is saved as log.txt. However, you can change the name of this text file.

The file can also be saved using XML format, with .xml file extension.

Each message recorded in the event log is written to the text file with the same information that is detailed in the event log itself.

To view the log, open the log.txt file in an appropriate text editor.

---

## Clearing broker domain log information

You can clear broker domain log information by using either the Message Broker Toolkit or the Configuration Manager Proxy Java API.

This topic describes how to use the Message Broker Toolkit. For information about how to use the Configuration Manager Proxy (CMP), see *Developing applications using the CMP and Class com.ibm.broker.config.proxy.LogProxy*.

To clear all the broker domain log information from the Event Log:

1. Switch to the Broker Administration perspective.
2. Open the Event Log for the appropriate broker domain.
3. In the Event Log editor menu, click **Event Log Editor** → **Clear Log ...**

If you have set user preference to *warn before deleting events*, a prompt asks you to confirm deletion. Click **OK**.

If you have not set user preferences to *warn before deleting events*, the event log is cleared automatically.

When you clear the event log, all recorded events that are in view are deleted from the repository.

---

## Changing the location of the work path

The work path directory is the location in which a component stores internal data, such as installation logs, component details, and trace output. The shared-classes directory is also located in the work path directory and is used for deployed Java code. If the work path directory does not have enough capacity, redirect the directory to another file system that has enough capacity.

The work path is fixed at installation time so that WebSphere Message Broker can always find the information that it needs, and always knows where to store new information.

If you need to change the location (for example, if you do not have enough capacity on the automatically-designated file system), do not change the path to the directory; instead, redirect the old work path directory to a new location.

## Changing the location of the work path on Windows systems

When you change the location of the work path, you mount the new partition at the location of the old work path directory.

To change the location of the work path on Windows:

1. Shut down all WebSphere Message Broker services and processes.
2. Create a new partition on the system. The new partition can be on the same drive as the old work path, or on a different drive.
3. Locate the work path directory for your installation on the local system by running the following command:  

```
echo $MQSI_WORKPATHS
```
4. Copy the contents of the work path directory to the new partition.
5. Delete the contents of the old work path directory.
6. Open the Computer Management dialog: click **Start** → **Settings** → **Control Panel** → **Administrative Tools** → **Computer Management**. The Computer Management dialog opens.
7. In the left-hand pane of the Computer Management dialog, click **Disk Management**. The new partition that you added and any existing partitions are listed in the right-hand pane.
8. Right-click the new partition, then click **Change Drive Letter and Paths...**. The Change Drive Letter and Paths dialog opens.
9. Click **Add...**. The Add Drive Letter or Path dialog opens.
10. Ensure that **Mount in the following empty NTFS folder** is selected, then browse to the old work path location.
11. Click **OK**, then click **OK** again.

Any files that WebSphere Message Broker creates in the work path location are stored on the new partition.

## Changing the location of the work path on Linux and UNIX systems

When you change the location of the work path, you can either mount the new partition at the location of the old work path directory, or you can replace the old work path directory with a soft link that points to the new work path directory.

To change the location of the work path on UNIX and Linux:

1. Shut down all WebSphere Message Broker services and processes.
2. Create a new directory on a suitable file system.
3. Locate the work path directory for your installation on the local system by running the following command:  

```
echo $MQSI_WORKPATH$
```
4. Copy the contents of the work path directory to the new partition.
5. Delete the contents of the old work path directory.
6. Perform one of the following tasks so that the WebSphere Message Broker installation uses the new work path location:
  - Use the mount command to mount the new work path directory at the location of the old work path directory.
  - Delete the old work path directory and replace it with a soft link. Give the soft link the same name as the old work path directory and point the link to the new work path directory.

Any files that WebSphere Message Broker creates in the work path location are stored in the new location.

---

## Changing Event Log editor preferences

You can change preferences for the Event Log editor using the Event Log editor preferences page.

You can change the following preferences for the Event Log editor:

- Choose not to display a warning before deleting log events. The default is to display a warning.
- Change the color for each type of event (Warning, Information, and Error). You can choose from a palette of basic colors or define custom colors. The default color for all events is black.
- Define the style and size of the font used for event details. The default is Tahoma, regular, 8 point.

To change preferences:

1. Switch to the **Broker Administration perspective**.
2. Click **Window>Preferences**.
3. Expand the **Broker Administration** category in the left pane.
4. Click **Event Log Editor** within the expanded **Broker Administration** category to open the Event Log editor preferences page.
5. Make your selections.
6. Click **OK**.

---

## Backing up resources

Establish a backup process to preserve the integrity and consistency of your broker domain, and provide a mechanism to restore your components and resources.

Brokers rely on a database manager to maintain and control their configuration data. Brokers, the Configuration Manager, and the User Name Server rely on WebSphere MQ to transport and guarantee messages between components. You must establish a backup process that includes these sources of information to preserve the integrity and consistency of your broker domain.

It is important that you maintain regular backups of your broker domain and associated databases. You should refer to the information supplied with the database you are using for details of the relevant database backup procedures.

Consult your database administrator and agree upon the:

- Frequency of backups
- Quiesce backup points to take

Depending upon your workflow, this can be hourly or daily or weekly.

You should aim to always be in a position to recover to a specific point in time, whatever happens. For example, take a backup of the broker domain and quiesce of the broker databases before installing a new application.

The following topics tell you how to back up and restore brokers, the Configuration Manager and the Message Broker Toolkit workspace:

- “Backing up the broker domain on distributed systems”
- “Backing up the broker domain on z/OS” on page 334
- “Backing up the Message Broker Toolkit workspace” on page 335

### Backing up the broker domain on distributed systems

You can back up a broker domain so that it can be restored for migration purposes or in the event of an unrecoverable failure. Back up broker domain resources, and plan for restoration of every broker that is deployed to by the Configuration Manager.

For more information about carrying out these steps, see the links at the end of this topic.

To back up the components:

1. Stop each broker.
2. Stop the Configuration Manager.
3. Back up the Configuration Manager data repository using the **mqsibackupconfigmgr** command.
4. Back up each broker database.

For example, for a DB2 broker database use the Backup wizard in the DB2 Control Center, or a command similar to:

```
DB2 BACKUP DATABASE <broker db> TO "<backup directory>"
```

5. Back up the system work path.

The work path is platform-specific:

- **Windows** On Windows, the directory is %ALLUSERSPROFILE%\Application Data\IBM\MQSI where %ALLUSERSPROFILE% is the environment variable that defines the system working directory. The default directory depends on the operating system:
  - On Windows XP and Windows Server 2003: C:\Documents and Settings\All Users\Application Data\IBM\MQSI
  - On Windows Vista and Windows Server 2008: C:\ProgramData\IBM\MQSI

The actual value might be different on your computer.

- **Linux** **UNIX** On other distributed platforms, the directory is:  
/var/mqsi

Also, back up broker-specific work paths that you have specified with the **-w** flag on the mqsicreatebroker command.

To restore the components:

1. **Stop and remove the existing components in the Configuration Manager domain.**
  - a. Disconnect from the domain on the Message Broker Toolkit.
  - b. Stop each broker.
  - c. Stop the Configuration Manager.
  - d. Delete each broker using the **mqsideletebroker** command, specifying the **-w** parameter, which is an optional parameter on Windows and UNIX platforms that deletes from the work path all files related to these brokers.
  - e. Delete the Configuration Manager using the **mqsideleteconfigmgr** command, specifying the **-w** and **-n** parameters. The **-n** parameter deletes all data in the configuration repository.
2. **Recreate the components.**
  - a. Create the Configuration Manager.
  - b. Create each broker.
3. **Restore the components.**
  - a. Restore any work paths.
  - b. If you are restoring a Configuration Manager that was backed up on z/OS, restore the Configuration Manager repository using the **mqsirestoreconfigmgr** command.  
Replace the previously backed-up **service.properties** file
  - c. Restore each broker database.  
For example, for a DB2 broker database use the Restore wizard in the DB2 Control Center, or a command similar to:  
DB2 RESTORE DATABASE <broker db> FROM "<backup directory>" TAKEN AT <datetime>
  - d. Start the Configuration Manager.
  - e. Start each broker.
  - f. Connect to the Configuration Manager on the Message Broker Toolkit. This re-imports the broker topology, excluding execution groups and flows, from the Configuration Manager.
  - g. Deploy the topology configuration on the Message Broker Toolkit. This causes the Configuration Manager to give the UUIDs to the brokers. Note that if you are working on a platform other than Windows, this step is unnecessary.

## Backing up the broker domain on z/OS

You can back up a broker domain so that it can be restored for migration purposes or in the event of an unrecoverable failure. Back up broker domain resources, and plan for restoration, on every system on which you have installed and created a broker or other broker domain component.

For more information about carrying out these steps, see the links at the end of this topic.

### Backing up components

To back up the components:

1. Stop each broker.
2. Record the BrokerUUID value from the following file: <broker directory>/registry/<broker name>/CurrentVersion/BrokerUUID.
3. Stop the Configuration Manager.
4. If you plan to restore the Configuration Manager data repository on distributed systems, take a copy of the file:

```
data directory/components/Configuration  
Manager name/<directory name>/service.properties
```

The *data directory* is platform-specific:

- **Windows** On Windows, the directory is %ALLUSERSPROFILE%\Application Data\IBM\MQSI where %ALLUSERSPROFILE% is the environment variable that defines the system working directory. The default directory depends on the operating system:
  - On Windows XP and Windows Server 2003: C:\Documents and Settings\All Users\Application Data\IBM\MQSI
  - On Windows Vista and Windows Server 2008: C:\ProgramData\IBM\MQSI

The actual value might be different on your computer.

- **Linux** **UNIX** On other distributed platforms the directory is:  
/var/mqsi

Keep your saved copy of this file with the .zip file produced by the mqsibackupconfigmgr command, and must be copied to the equivalent place in the restored Configuration Manager data repository, after running the mqsirestoreconfigmgr command.

5. Back up the Configuration Manager data repository using the mqsibackupconfigmgr command, or JCL job BIPBUM.
6. Back up each broker database by using the JCL job BIPBUDB.

### Restoring components

To restore the components:

1. **Stop and remove the existing components in the Configuration Manager domain.**
  - a. Disconnect from the domain in the Message Broker Toolkit.
  - b. Stop each broker.
  - c. Stop the Configuration Manager.
  - d. Delete each broker.
  - e. Delete the Configuration Manager.

2. **Recreate the components.**
  - a. Create the Configuration Manager repository.
  - b. Create each broker.
3. **Restore the components.**
  - a. Restore the Configuration Manager repository using the `mqsirestoreconfigmgr` command, or JCL job BIPRSCM.
  - b. Restore each broker database using the JCL job BIPRSDB.
  - c. Set the BrokerUUID by editing the following file: `<broker directory>/registry/<broker name>/CurrentVersion/BrokerUUID`.
  - d. Start the Configuration Manager.
  - e. Start each broker.
  - f. Connect to the Configuration Manager in the Message Broker Toolkit. This action re-imports the broker topology, excluding execution groups and flows, from the Configuration Manager.
  - g. Deploy the topology configuration in the Message Broker Toolkit. This deployment causes the Configuration Manager to give the UUIDs to the brokers.

## Backing up the Message Broker Toolkit workspace

The Message Broker Toolkit workspace contains your personal settings and data, such as message flow and message set resources. You can have multiple workspaces in different locations and you can also have references to projects that are in other locations, therefore consider all of these locations when you back up your resources.

- **Windows** On Windows XP and Windows Server 2003, the default workspace directory is created at `C:\Documents and Settings\user_ID\IBM\wmbt61\workspace`.
- **Windows** On Windows Vista and Windows Server 2008, the default workspace directory is created at `C:\Users\user_ID\IBM\wmbt61\workspace`.
- **Linux** On Linux, the default workspace directory is created at `/home/user_ID/IBM/wmqi61/workspace`.

where `user_ID` is the user name with which you are logged on.

The workspace directory contains a directory called `.metadata`, which contains your personal settings and preferences for the workbench. If the `.metadata` directory gets corrupted, you lose these settings, and the workbench reverts to the default layout and preferences. If you have not backed up the `.metadata` directory, you must manually set any preferences again and import any projects, such as message flow projects, that were displayed in the Broker Development view. To back up the `.metadata` directory, take a copy of the directory.

In the workspace, a directory exists for each project (message flow project, message set project, or server project) that you have created in the workbench. These directories contain your data, which you must back up.

Use one of the following methods to back up the data in your workspace:

- Export the projects from within the workbench. You can export the projects directly as a compressed file. For instructions, see *Exporting in the Eclipse Workbench User Guide*.
- Copy the project directories from the workspace directory to another location.

- When you add resources to a broker archive (BAR) file that is ready for deployment, select **Include source files** which adds the message flow and message set source files, as well as the compiled files, to the BAR file. Take copies of the BAR file to back up its contents.

If you want to restore the resources, copy the directories back into your workspace directory and import the projects. For instructions, see [Importing](#) in the Eclipse Workbench User Guide.



---

## Part 4. Reference

<b>Databases</b> . . . . .	339
odbc32.ini sample file . . . . .	339
odbc64.ini sample file . . . . .	347
<b>Operations</b> . . . . .	363
Broker properties . . . . .	363
Restrictions that apply in each operation mode . . . . .	364
Commands . . . . .	365
Summary of commands on Windows, z/OS, Linux, and UNIX systems . . . . .	367
Syntax diagrams: available types . . . . .	370
Characters allowed in commands. . . . .	374
Rules for using commands . . . . .	375
Responses to commands. . . . .	376
Runtime and workbench commands (common) . . . . .	377
WebSphere Message Broker workbench commands . . . . .	381
Runtime commands . . . . .	397
z/OS specific information . . . . .	629
Administration in z/OS . . . . .	629
z/OS customization . . . . .	632
z/OS JCL variables . . . . .	645
z/OS sample files supplied. . . . .	646
<b>Security requirements for administrative tasks</b> . . . . .	683
ACL permissions . . . . .	683
Security requirements for Linux and UNIX platforms. . . . .	684
Security requirements for Windows platforms . . . . .	685
Security requirements for z/OS . . . . .	689



---

## Databases

Sample ODBC definition files are supplied to help you define an ODBC connection to a database from your brokers or applications.

For copies of the sample ODBC definition files that are supplied with WebSphere Message Broker, see the following topics:

- “odbc32.ini sample file”
- “odbc64.ini sample file” on page 347

---

### odbc32.ini sample file

A copy of the sample 32-bit ODBC definition file that is supplied with WebSphere Message Broker.

#### Purpose

Configure the odbc32.ini file when defining an ODBC connection to a database from a broker or from a 32-bit application. Follow the instructions in “Connecting to a database from Linux and UNIX systems: 32-bit considerations” on page 129.

#### AIX

```
| ;#####  
| ;##### 32 bit ODBC database driver manager initialization file #####  
| ;#####  
| ;# It is recommended that you take a copy of this file and then edit the copy. #  
| ;# #  
| ;# #  
| ;# 1. Complete the 'Mandatory information stanza' section at the end of the file. #  
| ;# #  
| ;# #  
| ;# 2. For each data source, add the name of the data source into the 'List of #  
| ;# data sources stanza' section. #  
| ;# #  
| ;# #  
| ;# 3. For each data source, create a stanza in the 'Individual datasource stanzas' #  
| ;# section. #  
| ;#####  
| ;#####  
| ;##### List of data sources stanza #####  
| ;#####  
| [ODBC Data Sources]  
| DB2V8DB=IBM DB2 Version 8 ODBC Driver  
| DB2V9DB=IBM DB2 Version 9 ODBC Driver  
| ORACLEDB=DataDirect 5.3 Oracle Driver  
| ORACLERACDB=DataDirect 5.3 Oracle Driver (Real Application Clusters)  
| SYBASEDB=DataDirect 5.3 Sybase Wire Protocol  
| SYBASEDBUTF8=DataDirect 5.3 Sybase UTF8 Wire Protocol  
| SQLSERVERDB=DataDirect 5.3 SQL Server Wire Protocol  
| INFORMIXDB=IBM Informix ODBC Driver  
| ;#####  
| ;##### Individual data source stanzas #####  
| ;#####
```

```

|# DB2 version 8 stanza
[DB2V8DB]
Driver=<Your DB2 v8 install directory>/lib/libdb2.a
Description=DB2V8DB DB2 ODBC Database
Database=DB2V8DB

|# DB2 version 9 stanza
[DB2V9DB]
Driver=<Your DB2 v9 install directory>/lib32/libdb2.a
Description=DB2V9DB DB2 ODBC Database
Database=DB2V9DB

|# Oracle stanza
[ORACLEDB]
Driver=<Your Broker install directory>/ODBC32/V5.3/lib/UKor823.so
Description=DataDirect 5.3 Oracle Driver
EnableDescribeParam=1
OptimizePrepare=1
ServerName=<Your Oracle Net Service name>
WorkArounds=536870912
ProcedureRetResults=1
ColumnSizeAsCharacter=1

|# Oracle Real Application Clusters stanza
[ORACLERACDB]
Driver=<Your Broker install directory>/ODBC32/V5.3/lib/UKor823.so
Description=DataDirect 5.3 Oracle Driver
EnableDescribeParam=1
OptimizePrepare=1
ServerName=<Your Oracle Net Service Name defined for the RAC>
WorkArounds=536870912
ProcedureRetResults=1
ColumnSizeAsCharacter=1

|# Sybase Stanza
[SYBASEDB]
Driver=<Your Broker install directory>/ODBC32/V5.3/lib/UKase23.so
Description=DataDirect 5.3 Sybase Wire Protocol
Database=<Your Database Name>
ServerName=<Your Sybase Server Name>
EnableDescribeParam=1
OptimizePrepare=1
SelectMethod=0
NetworkAddress=<Your Sybase Server Name>,<Your Sybase Port Number>
SelectUserName=1
ColumnSizeAsCharacter=1
EnableSPColumnTypes=2

|# Sybase Stanza for a UTF8 datasource
[SYBASEDBUTF8]
Driver=<Your Broker install directory>/ODBC32/V5.3/lib/UKase23.so
Description=DataDirect 5.3 Sybase Wire Protocol
Database=<Your Database Name>
ServerName=<Your Sybase Server Name>
EnableDescribeParam=1
OptimizePrepare=1
SelectMethod=0
NetworkAddress=<Your Sybase Server Name>,<Your Sybase Port Number>
SelectUserName=1
ColumnSizeAsCharacter=1
EnableSPColumnTypes=2
Charset=UTF8

|# UNIX to SQL Stanza
[SQLSERVERDB]
Driver=<Your Broker install directory>/ODBC32/V5.3/lib/UKmsss23.so
Description=DataDirect 5.3 SQL Server Wire Protocol
Address=<Your SQLServer Server Name>,<Your SQLServer Port Number>

```

```

Database=<Your Database Name>
AnsiNPW=Yes
QuoteId=No
ColumnSizeAsCharacter=1

;# Informix stanza
[INFORMIXDB]
Driver=<Your Informix Client Directory>/lib/cli/iclit09b.so
Description=IBM Informix ODBC Driver
ServerName=<YourServerName>
Database=<Your Database Name>

#####
##### Mandatory information stanza #####
#####

[ODBC]
;# To turn on ODBC trace set Trace=1
Trace=0
TraceFile=<A Directory with plenty of free space to hold trace output>/odbctrace32.out
TraceDll=<Your Broker install directory>/ODBC32/V5.3/lib/odbctrac.so
InstallDir=<Your Broker install directory>/ODBC32/V5.3
UseCursorLib=0
IANAAppCodePage=4
UNICODE=UTF-8

```

## HP-UX on PA-RISC

```

#####
##### 32 bit ODBC database driver manager initialization file #####
#####
;# It is recommended that you take a copy of this file and then edit the copy. #
;# #
;# #
;# 1. Complete the 'Mandatory information stanza' section at the end of the file. #
;# #
;# #
;# 2. For each data source, add the name of the data source into the 'List of #
;# data sources stanza' section. #
;# #
;# #
;# 3. For each data source, create a stanza in the 'Individual datasource stanzas' #
;# section. #
#####

#####
##### List of data sources stanza #####
#####
[ODBC Data Sources]
DB2V8DB=IBM DB2 version 8 ODBC Driver
DB2V9DB=IBM DB2 version 9 ODBC Driver
ORACLEDB=DataDirect 5.3 Oracle Driver
ORACLERACDB=DataDirect 5.3 Oracle Driver (Real Application Clusters)
SYBASEDB=DataDirect 5.3 Sybase Wire Protocol
SYBASEDBUTF8=DataDirect 5.3 Sybase UTF8 Wire Protocol
SQLSERVERDB=DataDirect 5.3 SQL Server Wire Protocol
INFORMIXDB=IBM Informix ODBC Driver

#####
##### Individual data source stanzas #####
#####

;# DB2 version 8 stanza
[DB2V8DB]
Driver=<Your DB2 v8 install directory>/lib/libdb2.s1
Description=DB2V8DB DB2 ODBC Database
Database=DB2V8DB

```

```

|# DB2 version 9 stanza
[DB2V9DB]
Driver=<Your DB2 v9 install directory>/lib32/libdb2.s1
Description=DB2V9DB DB2 ODBC Database
Database=DB2V9DB

|# Oracle stanza
[ORACLEDB]
Driver=<Your Broker install directory>/ODBC32/V5.3/lib/UKor823.s1
Description=DataDirect 5.3 Oracle Driver
EnableDescribeParam=1
OptimizePrepare=1
ServerName=<Your Oracle Server Name>
WorkArounds=536870912
ProcedureRetResults=1
ColumnSizeAsCharacter=1

|# Oracle Real Application Clusters stanza
[ORACLERACDB]
Driver=<Your Broker install directory>/ODBC32/V5.3/lib/UKor823.s1
Description=DataDirect 5.3 Oracle Driver
EnableDescribeParam=1
OptimizePrepare=1
ServerName=<Your Oracle Net Service Name defined for the RAC>
WorkArounds=536870912
ProcedureRetResults=1
ColumnSizeAsCharacter=1

|# Sybase Stanza
[SYBASEDB]
Driver=<Your Broker install directory>/ODBC32/V5.3/lib/UKase23.s1
Description=DataDirect 5.3 Sybase Driver
Database=<Your Database Name>
ServerName=<Your Sybase Server Name>
EnableDescribeParam=1
OptimizePrepare=1
SelectMethod=0
NetworkAddress=<Your Sybase Server Name>,<Your Sybase Port Number>
SelectUserName=1
ColumnSizeAsCharacter=1
EnableSPColumnTypes=2

|# Sybase Stanza for a UTF8 datasource
[SYBASEDBUTF8]
Driver=<Your Broker install directory>/ODBC32/V5.3/lib/UKase23.s1
Description=DataDirect 5.3 Sybase Driver
Database=<Your Database Name>
ServerName=<Your Sybase Server Name>
EnableDescribeParam=1
OptimizePrepare=1
SelectMethod=0
NetworkAddress=<Your Sybase Server Name>,<Your Sybase Port Number>
SelectUserName=1
ColumnSizeAsCharacter=1
EnableSPColumnTypes=2
Charset=UTF8

|# UNIX to SQLServer stanza
[SQLSERVERDB]
Driver=<Your Broker install directory>/ODBC32/V5.3/lib/UKmsss23.so
Description=DataDirect 5.3 SQL Server Wire Protocol
Address=<Your SQLServer Server Name>,<Your SQLServer Server Port Number>
Database=<Your Database Name>
AnsiNPW=Yes
QuoteId=No
ColumnSizeAsCharacter=1

```

```

|# Informix Stanza
|[INFORMIXDB]
|Driver=<Your Informix Client Directory>/lib/cli/iclit09b.sl
|Description=IBM Informix ODBC Driver
|ServerName=<Your Informix ServerName>
|Database=<Your Database Name>
|
|#####
|##### Mandatory information stanza #####
|#####
|
|[ODBC]
|# To turn on ODBC trace set Trace=1
|Trace=0
|TraceFile=<A Directory with plenty of free space to hold trace output>/odbctrace32.out
|TraceDll=<Your Broker install directory>/ODBC32/V5.3/lib/odbctrac.sl
|InstallDir=<Your Broker install directory>/ODBC32/V5.3
|UseCursorLib=0
|IANAAppCodePage=4
|UNICODE=UTF-8

```

## Linux on x86 and Linux on x86-64

```

|#####
|##### 32 bit ODBC database driver manager initialization file #####
|#####
|# It is recommended that you take a copy of this file and then edit the copy. #
|# #
|# #
|# 1. Complete the 'Mandatory information stanza' section at the end of the file. #
|# #
|# #
|# 2. For each data source, add the name of the data source into the 'List of #
|# data sources stanza' section. #
|# #
|# #
|# 3. For each data source, create a stanza in the 'Individual datasource stanzas' #
|# section. #
|#####
|#####
|##### List of data sources stanza #####
|#####
|
|[ODBC Data Sources]
|DB2V8DB=IBM DB2 version 8 ODBC Driver
|DB2V9DB=IBM DB2 version 9 ODBC Driver
|ORACLEDB=DataDirect 5.3 Oracle Driver
|ORACLERACDB=DataDirect 5.3 Oracle Driver (Real Application Clusters)
|SYBASEDB=DataDirect 5.3 Sybase Wire Protocol
|SYBASEDBUTF8=DataDirect 5.3 Sybase UTF8 Wire Protocol
|SQLSERVERDB=DataDirect 5.3 SQL Server Wire Protocol
|INFORMIXDB=IBM Informix ODBC Driver
|
|#####
|##### Individual data source stanzas #####
|#####
|# DB2 version 8 stanza
|[DB2V8DB]
|Driver=<Your DB2 v8 install directory>/lib/libdb2.so
|Description=DB2V8DB DB2 ODBC Database
|Database=DB2V8DB
|
|# DB2 version 9 stanza
|[DB2V9DB]
|Driver=<Your DB2 v9 install directory>/lib32/libdb2.so
|Description=DB2V9DB DB2 ODBC Database
|Database=DB2V9DB

```

```

|# Oracle stanza
[ORACLEDB]
Driver=<Your Broker install directory>/ODBC32/V5.3/lib/UKor823.so
Description=DataDirect 5.3 Oracle Driver
EnableDescribeParam=1
OptimizePrepare=1
ServerName=<Your Oracle Net Service Name>
WorkArounds=536870912
ProcedureRetResults=1
ColumnSizeAsCharacter=1

|# Oracle Real Application Cluster stanza
[ORACLERACDB]
Driver=<Your Broker install directory>/ODBC32/V5.3/lib/UKor823.so
Description=DataDirect 5.3 Oracle Driver
EnableDescribeParam=1
OptimizePrepare=1
ServerName=<Your Oracle Net Service Name defined for the RAC>
WorkArounds=536870912
ProcedureRetResults=1
ColumnSizeAsCharacter=1

|#Sybase Stanza
[SYBASEDB]
Driver=<Your Broker install directory>/ODBC32/V5.3/lib/UKase23.so
Description=DataDirect 5.3 Sybase Wire Protocol
Database=<Your Database Name>
ServerName=<Your Sybase Server Name>
EnableDescribeParam=1
OptimizePrepare=1
SelectMethod=0
NetworkAddress=<Your Sybase Server Name>,<Your Sybase Port Number>
SelectUserName=1
ColumnSizeAsCharacter=1
EnableSPCColumnType=2

|#Sybase Stanza for a UTF8 datasource
[SYBASEBUTF8]
Driver=<Your Broker install directory>/ODBC32/V5.3/lib/UKase23.so
Description=DataDirect 5.3 Sybase Wire Protocol
Database=<Your Database Name>
ServerName=<Your Sybase Server Name>
EnableDescribeParam=1
OptimizePrepare=1
SelectMethod=0
NetworkAddress=<Your Sybase Server Name>,<Your Sybase Port Number>
SelectUserName=1
ColumnSizeAsCharacter=1
EnableSPCColumnType=2
Charset=UTF8

|# UNIX to SQLServer stanza
[SQLSERVERDB]
Driver=<Your Broker install directory>/ODBC32/V5.3/lib/UKmsss23.so
Description=DataDirect 5.3 SQL Server Wire Protocol
Address=<Your SQLServer Server Name>,<Your SQLServer Server Port Number>
Database=<Your Database Name>
AnsiNPW=Yes
QuoteId=No
ColumnSizeAsCharacter=1

|# Informix stanza
[INFORMIXDB]
Driver=<Your Informix Client Directory>/lib/cli/iclit09b.sl
Description=IBM Informix ODBC Driver
ServerName=<Your Informix Server Name>
Database=<Your Database Name>

#####
##### Mandatory information stanza #####
#####

```



```

[ODBC]
;# To turn on ODBC trace set Trace=1
Trace=0
TraceFile=<A Directory with plenty of free space to hold trace output>/odbctrace32.out
TraceDll=<Your Broker install directory>/ODBC32/V5.3/lib/odbctrac.so
InstallDir=<Your Broker install directory>/ODBC32/V5.3
UseCursorLib=0
IANAAppCodePage=4
UNICODE=UTF-8

```

## Solaris on SPARC

```

;#####
;##### 32 bit ODBC database driver manager initialization file #####
;#####
;# It is recommended that you take a copy of this file and then edit the copy. #
;# #
;# #
;# 1. Complete the 'Mandatory information stanza' section at the end of the file. #
;# #
;# #
;# 2. For each data source, add the name of the data source into the 'List of #
;# data sources stanza' section. #
;# #
;# #
;# 3. For each data source, create a stanza in the 'Individual datasource stanzas' #
;# section. #
;#####
;#####
;##### List of data sources stanza #####
;#####
[ODBC Data Sources]
DB2V8DB=IBM DB2 version 8 ODBC Driver
DB2V9DB=IBM DB2 version 9 ODBC Driver
ORACLEDB=DataDirect 5.3 Oracle Driver
ORACLERACDB=DataDirect 5.3 Oracle Driver (Real Application Clusters)
SYBASEDB=DataDirect 5.3 Sybase Wire Protocol
SYBASEDBUTF8=DataDirect 5.3 Sybase UTF8 Wire Protocol
SQLSERVERDB=DataDirect 5.3 SQL Server Wire Protocol
INFORMIXDB= IBM Informix ODBC driver

;#####
;##### Individual data source stanzas #####
;#####

;# DB2 version 8 stanza
[DB2V8DB]
Driver=<Your DB2 v8 install directory>/lib/libdb2.so
Description=DB2V8DB DB2 ODBC Database
Database=DB2V8DB

;# DB2 version 9 stanza
[DB2V9DB]
Driver=<Your DB2 v9 install directory>/lib32/libdb2.so
Description=DB2V9DB DB2 ODBC Database
Database=DB2V9DB

;# Oracle stanza
[ORACLEDB]
Driver=<Your Broker install directory>/ODBC32/V5.3/lib/UKor823.so
Description=DataDirect 5.3 Oracle Driver
EnableDescribeParam=1
OptimizePrepare=1
ServerName=<Your Oracle Net Service Name>
WorkArounds=536870912
ProcedureRetResults=1
ColumnSizeAsCharacter=1

```

```

;# Oracle Real Application Clusters stanza
[ORACLERACDB]
Driver=<Your Broker install directory>/ODBC32/V5.3/lib/UKor823.so
Description=DataDirect 5.3 Oracle Driver
EnableDescribeParam=1
OptimizePrepare=1
ServerName=<Your Oracle Net Service Name defined for the RAC>
WorkArrounds=536870912
ProcedureRetResults=1
ColumnSizeAsCharacter=1

;# Sybase Stanza
[SYBASEDB]
Driver=<Your Broker install directory>/ODBC32/V5.3/lib/UKase23.so
Description=DataDirect 5.3 Sybase Wire Protocol
Database=<Your Database Name>
ServerName=<Your Sybase Server Name>
EnableDescribeParam=1
OptimizePrepare=1
SelectMethod=0
NetworkAddress=<Your Sybase Server Name>,<Your Sybase Port Number>
SelectUserName=1
ColumnSizeAsCharacter=1
EnableSPColumnTypes=2

;# Sybase Stanza for a UTF8 datasource
[SYBASEDBUTF8]
Driver=<Your Broker install directory>/ODBC32/V5.3/lib/UKase23.so
Description=DataDirect 5.3 Sybase Wire Protocol
Database=<Your Database Name>
ServerName=<Your Sybase Server Name>
EnableDescribeParam=1
OptimizePrepare=1
SelectMethod=0
NetworkAddress=<Your Sybase Server Name>,<Your Sybase Port Number>
SelectUserName=1
ColumnSizeAsCharacter=1
EnableSPColumnTypes=2
Charset=UTF8

;# UNIX to SQLServer Stanza
[SQLSERVERDB]
Driver=<Your Broker install directory>/ODBC32/V5.3/lib/UKmsss23.so
Description=DataDirect 5.3 SQL Server Wire Protocol
Address=<Your SQLServer Server Name>,<Your SQLServer Port Number>
Database=<Your Database Name>
AnsiNPW=Yes
QuoteId=No
ColumnSizeAsCharacter=1

;# Informix Stanza
[INFORMIXDB]
Driver=<Your Informix Client Directory>/lib/cli/iclit09b.so
Description=IBM Informix ODBC Driver
ServerName=<Your Informix Server Name>
Database=<Your Database Name>

#####
##### Mandatory information stanza #####
#####

[ODBC]
;# To turn on ODBC trace set Trace=1
Trace=0
TraceFile=<A Directory with plenty of free space to hold trace ouput>/odbctrace32.out
TraceDll=<Your Broker install directory>/ODBC32/V5.3/lib/odbctrac.so
InstallDir=<Your Broker install directory>/ODBC32/V5.3
UseCursorLib=0
IANAAppCodePage=4
UNICODE=UTF-8

```

---

## odbc64.ini sample file

A copy of the sample 64-bit ODBC definition file that is supplied with WebSphere Message Broker.

### Purpose

Configure the odbc64.ini file when you define an ODBC connection to a database from a 64-bit application. Follow the instructions in “Connecting to a database from Linux and UNIX systems: 64-bit considerations” on page 134.

### AIX

```
| ;#####  
| ;# 64 bit ODBC database driver manager initialisation file. #  
| ;#####  
| ;# It is recommended that you take a copy of this file and then edit the #  
| ;# copy. #  
| ;# #  
| ;# 1. Complete the 'Mandatory information stanza' section #  
| ;# at the end of the file. #  
| ;# #  
| ;# 2. For each data source, add the name of the data source into #  
| ;# the 'List of data sources stanza' section. #  
| ;# #  
| ;# 3. For each data source, create a stanza in the #  
| ;# 'Individual data source stanzas' section. #  
| ;#####  
| ;#####  
| ;### List of data sources stanza #####  
| ;#####  
|  
| [ODBC Data Sources]  
| DB2DB=IBM DB2 ODBC Driver  
| ORACLEDB=DataDirect 5.3 64bit Oracle Wire Protocol  
| ORACLERACDB=DataDirect 5.3 64bit Oracle Wire Protocol (Real Application Clusters)  
| SYBASEDB=DataDirect 5.3 64bit Sybase Wire Protocol  
| SYBASEDBUTF8=DataDirect 5.3 64bit Sybase UTF8 Wire Protocol  
| SQLSERVERDB=DataDirect 5.3 64bit SQL Server Wire Protocol  
| INFORMIXDB=IBM Informix ODBC Driver  
|  
| ;#####  
| ;##### Individual data source stanzas #####  
| ;#####  
|  
| ;# DB2 stanza  
| [DB2DB]  
| DRIVER=libdb2Wrapper64.so  
| Description=DB2DB DB2 ODBC Database  
| Database=DB2DB  
|  
| ;# Oracle stanza  
| [ORACLEDB]  
| Driver=<Your Broker install directory>/ODBC64/V5.3/lib/UKora23.so  
| Description=DataDirect 5.3 64bit Oracle Wire Protocol  
| HostName=<Your Oracle Server Machine Name>  
| PortNumber=<Port on which Oracle is listening on HostName>  
| SID=<Your Oracle SID>  
| CatalogOptions=0  
| EnableStaticCursorsForLongData=0  
| ApplicationUsingThreads=1  
| EnableDescribeParam=1  
| OptimizePrepare=1  
| WorkArounds=536870912  
| ProcedureRetResults=1  
| ColumnSizeAsCharacter=1
```

```

;# Oracle Real Application Clusters stanza
[ORACLERACDB]
Driver=<Your Broker install directory>/ODBC64/V5.3/lib/UKora23.so
Description=DataDirect 5.3 64bit Oracle Wire Protocol
HostName=<Your Oracle Server Machine Name>
PortNumber=<Port on which Oracle is listening on HostName>
ServiceName=<Your Oracle Real Application Cluster Service Name>
CatalogOptions=0
EnableStaticCursorsForLongData=0
ApplicationUsingThreads=1
EnableDescribeParam=1
OptimizePrepare=1
WorkArounds=536870912
ProcedureRetResults=1
ColumnSizeAsCharacter=1

;# Sybase Stanza
[SYBASEDB]
Driver=<Your Broker install directory>/ODBC64/V5.3/lib/UKase23.so
Description=DataDirect 5.3 64bit Sybase Wire Protocol
Database=<Your Database Name>
ApplicationUsingThreads=1
EnableDescribeParam=1
OptimizePrepare=1
SelectMethod=0
NetworkAddress=<Your Sybase Server Name>,<Your Sybase Port Number>
SelectUserName=1
ColumnSizeAsCharacter=1
EnableSPColumnTypes=2

;# Sybase Stanza for a UTF8 datasource
[SYBASEDBUTF8]
Driver=<Your Broker install directory>/ODBC64/V5.3/lib/UKase23.so
Description=DataDirect 5.3 64bit Sybase Wire Protocol
Database=<Your Database Name>
ApplicationUsingThreads=1
EnableDescribeParam=1
OptimizePrepare=1
SelectMethod=0
NetworkAddress=<Your Sybase Server Name>,<Your Sybase Port Number>
SelectUserName=1
ColumnSizeAsCharacter=1
EnableSPColumnTypes=2
Charset=UTF8

;# UNIX to SQLServer stanza
[SQLSERVERDB]
Driver=<Your Broker install directory>/ODBC64/V5.3/lib/UKmsss23.so
Description=DataDirect 5.3 64bit SQL Server Wire Protocol
Address=<Your SQLServer Server Name>,<Your SQLServer Port Number>
AnsiNPW=Yes
Database=db
QuotedId=No
ColumnSizeAsCharacter=1

;# Informix Stanza
[INFORMIXDB]
Driver=libinfWrapper64.so
Description=IBM Informix ODBC Driver
ServerName=<Your Informix Server Name>
Database=<Your Database Name>

#####
##### Mandatory information stanza #####
#####

[ODBC]
;# To turn on ODBC trace set Trace=1
Trace=0
TraceFile=<A Directory with plenty of free space to hold trace output>/odbctrace64.out

```

```
TraceDll=<Your Broker install directory>/ODBC64/V5.3/lib/odbctrac.so
InstallDir=<Your Broker install directory>/ODBC64/V5.3
UseCursorLib=0
IANAAppCodePage=4
UNICODE=UTF-8
```

## HP-UX on PA-RISC

```
#####
;# 64 bit ODBC database driver manager initialisation file. #
#####
;# It is recommended that you take a copy of this file and then edit the #
;# copy. #
;# #
;# 1. Complete the 'Mandatory information stanza' section #
;# at the end of the file. #
;# #
;# 2. For each data source, add the name of the data source into #
;# the 'List of data sources stanza' section. #
;# #
;# 3. For each data source, create a stanza in the #
;# 'Individual data source stanzas' section. #
#####
#####
;### List of data sources stanza #####
#####

[ODBC Data Sources]
DB2DB=IBM DB2 ODBC Driver
ORACLEDB=DataDirect 5.3 64bit Oracle Wire Protocol
ORACLERACDB=DataDirect 5.3 64bit Oracle Wire Protocol (Real Application Clusters)
SYBASEDB=DataDirect 5.3 64bit Sybase Wire Protocol
SYBASEDBUTF8=DataDirect 5.3 64bit Sybase UTF8 Wire Protocol
INFORMIXDB=IBM Informix ODBC Driver

#####
##### Individual data source stanzas #####
#####

;# DB2 stanza
[DB2DB]
DRIVER=libdb2Wrapper64.sl
Description=DB2DB DB2 ODBC Database
Database=DB2DB

;# Oracle stanza
[ORACLEDB]
Driver=<Your Broker install directory>/ODBC64/V5.3/lib/UKora23.sl
Description=DataDirect 5.3 64bit Oracle Wire Protocol
HostName=<Your Oracle Server Machine Name>
PortNumber=<Port on which Oracle is listening on HostName>
SID=<Your Oracle SID>
CatalogOptions=0
EnableStaticCursorsForLongData=0
ApplicationUsingThreads=1
EnableDescribeParam=1
OptimizePrepare=1
WorkArounds=536870912
ProcedureRetResults=1
ColumnSizeAsCharacter=1

;# Oracle Real Application Clusters stanza
[ORACLERACDB]
Driver=<Your Broker install directory>/ODBC64/V5.3/lib/UKora23.sl
Description=DataDirect 5.3 64bit Oracle Wire Protocol
HostName=<Your Oracle Server Machine Name>
PortNumber=<Port on which Oracle is listening on HostName>
ServiceName=<Your Oracle Real Application Cluster Service Name>
CatalogOptions=0
```

```

EnableStaticCursorsForLongData=0
ApplicationUsingThreads=1
EnableDescribeParam=1
OptimizePrepare=1
WorkArounds=536870912
ProcedureRetResults=1
ColumnSizeAsCharacter=1

;# Sybase Stanza
[SYBASEDB]
Driver=<Your install directory>/ODBC64/V5.3/lib/UKase23.sl
Description=DataDirect 5.3 64bit Sybase Wire Protocol
Database=<Your Database Name>
ApplicationUsingThreads=1
EnableDescribeParam=1
OptimizePrepare=1
SelectMethod=0
NetworkAddress=<Your Sybase Server Name>,<Your Sybase Port Number>
SelectUserName=1
ColumnSizeAsCharacter=1
EnableSPColumnTypes=2

;# Sybase Stanza for a UTF8 datasource
[SYBASEDBUTF8]
Driver=<Your install directory>/ODBC64/V5.3/lib/UKase23.sl
Description=DataDirect 5.3 64bit Sybase Wire Protocol
Database=<Your Database Name>
ApplicationUsingThreads=1
EnableDescribeParam=1
OptimizePrepare=1
SelectMethod=0
NetworkAddress=<Your Sybase Server Name>,<Your Sybase Port Number>
SelectUserName=1
ColumnSizeAsCharacter=1
EnableSPColumnTypes=2
Charset=UTF8

;# Informix Stanza
[INFORMIXDB]
Driver=libinfWrapper64.sl
Description=IBM Informix ODBC Driver
ServerName=<Your Informix Server Name>
Database=<Your Database Name>

#####
##### Mandatory information stanza #####
#####

[ODBC]
;# To turn on ODBC trace set Trace=1
Trace=0
TraceFile=<A Directory with plenty of free space to hold trace output>/odbctrace64.out
TraceDll=<Your Broker install directory>/ODBC64/V5.3/lib/odbctrac.sl
InstallDir=<Your Broker install directory>/ODBC64/V5.3
UseCursorLib=0
IANAAppCodePage=4
UNICODE=UTF-8

```

## HP-UX on Itanium

```

#####
;# 64 bit ODBC database driver manager initialisation file. #
#####
;# It is recommended that you take a copy of this file and then edit the #
;# copy. #
;# #
;# 1. Complete the 'Mandatory information stanza' section #
;# at the end of the file. #
;# #
;# 2. For each data source, add the name of the data source into #

```

```

|# the 'List of data sources stanza' section.                                     #
|#                                                                              #
|# 3. For each data source, create a stanza in the                             #
|# 'Individual data source stanzas' section.                                  #
|#####
|#####
|##### List of data sources stanza #####
|#####
|[ODBC Data Sources]
|DB2DB=IBM DB2 ODBC Driver
|ORACLEDB=DataDirect 5.3 64bit Oracle Wire Protocol
|ORACLERACDB=DataDirect 5.3 64bit Oracle Wire Protocol (Real Application Clusters)
|SYBASEDB=DataDirect 5.3 64bit Sybase Wire Protocol
|SYBASEDBUTF8=DataDirect 5.3 64bit Sybase UTF8 Wire Protocol
|SQLSERVERDB=DataDirect 5.3 64bit SQL Server Wire Protocol
|INFORMIXDB=IBM Informix ODBC Driver
|
|#####
|##### Individual data source stanzas #####
|#####
|# DB2 stanza
|[DB2DB]
|Driver=libdb2Wrapper64.so
|Description=DB2DB DB2 ODBC Database
|Database=DB2DB
|
|# Oracle stanza
|[ORACLEDB]
|Driver=<Your install directory>/ODBC64/V5.3/lib/UKora23.so
|Description=DataDirect 5.3 64bit Oracle Wire Protocol
|HostName=<Your Oracle Server Machine Name>
|PortNumber=<Port on which Oracle is listening on HostName>
|SID=<Your Oracle SID>
|CatalogOptions=0
|EnableStaticCursorsForLongData=0
|ApplicationUsingThreads=1
|EnableDescribeParam=1
|OptimizePrepare=1
|WorkArounds=536870912
|ProcedureRetResults=1
|ColumnSizeAsCharacter=1
|
|# Oracle Real Application Clusters stanza
|[ORACLERACDB]
|Driver=<Your Broker install directory>/ODBC64/V5.3/lib/UKora23.so
|Description=DataDirect 5.3 64bit Oracle Wire Protocol
|HostName=<Your Oracle Server Machine Name>
|PortNumber=<Port on which Oracle is listening on HostName>
|ServiceName=<Your Oracle Real Application Cluster Service Name>
|CatalogOptions=0
|EnableStaticCursorsForLongData=0
|ApplicationUsingThreads=1
|EnableDescribeParam=1
|OptimizePrepare=1
|WorkArounds=536870912
|ProcedureRetResults=1
|ColumnSizeAsCharacter=1
|
|# Sybase Stanza
|[SYBASEDB]
|Driver=<Your install directory>/ODBC64/V5.3/lib/UKase23.s1
|Description=DataDirect 5.3 Sybase Wire Protocol
|Database=<Your Database Name>
|ApplicationUsingThreads=1
|EnableDescribeParam=1
|OptimizePrepare=1

```

```

SelectMethod=0
NetworkAddress=<YourServerName>,<YourPortNumber>
SelectUserName=1
EnableSPColumnTypes=2

;# Sybase Stanza for a UTF8 datasource
[SYBASEDUTF8]
Driver=<Your Broker install directory>/ODBC64/V5.3/lib/UKase23.so
Description=DataDirect 5.3 64bit Sybase Wire Protocol
Database=<Your Database Name>
ApplicationUsingThreads=1
EnableDescribeParam=1
OptimizePrepare=1
SelectMethod=0
NetworkAddress=<Your Sybase Server Name>,<Your Sybase Port Number>
SelectUserName=1
ColumnSizeAsCharacter=1
EnableSPColumnTypes=2
Charset=UTF8

;# UNIX to SQLServer stanza
[SQLSERVERDB]
Driver=<Your Broker install directory>/ODBC64/V5.3/lib/UKmsss23.so
Description=DataDirect 5.3 64bit SQL Server Wire Protocol
Address=<Your SQLServer Server Name>,<Your SQLServer Port Number>
AnsiNPW=Yes
Database=db
QuotedId=No
ColumnSizeAsCharacter=1

;# Informix Stanza
[INFORMIXDB]
Driver=libinfWrapper64.sl
Description=IBM Informix ODBC Driver
ServerName=<Your Informix Server Name>
Database=<Your Database Name>

#####
##### Mandatory information stanza #####
#####

[ODBC]
;# To turn on ODBC trace set Trace=1
Trace=0
TraceFile=<A Directory with plenty of free space to hold trace output>/odbctrace64.out
TraceDll=<Your Broker install directory>/ODBC64/V5.3/lib/odbctrac.so
InstallDir=<Your Broker install directory>/ODBC64/V5.3
UseCursorLib=0
IANAAppCodePage=4

```

## Linux on POWER

```

#####
;# 64 bit ODBC database driver manager initialisation file. #
#####
;# It is recommended that you take a copy of this file and then edit the #
;# copy. #
;# #
;# 1. Complete the 'Mandatory information stanza' section #
;# at the end of the file. #
;# #
;# 2. For each data source, add the name of the data source into #
;# the 'List of data sources stanza' section. #
;# #
;# 3. For each data source, create a stanza in the #
;# 'Individual data source stanzas' section. #
#####

```



```

#####
;### List of data sources stanza #####
#####

[ODBC Data Sources]
DB2DB=IBM DB2 ODBC Driver
ORACLEDB=DataDirect 5.3 64bit Oracle Wire Protocol
ORACLERACDB=DataDirect 5.3 64bit Oracle Wire Protocol (Real Application Clusters)
SYBASEDB=DataDirect 5.3 64bit Sybase Wire Protocol
SYBASEDBUTF8=DataDirect 5.3 64bit Sybase UTF8 Wire Protocol
INFORMIXDB=IBM Informix ODBC Driver

#####
##### Individual data source stanzas #####
#####

;# DB2 stanza
[DB2DB]
DRIVER=libdb2Wrapper.so
Description=DB2DB DB2 ODBC Database
Database=DB2DB

;# Oracle stanza
[ORACLEDB]
Driver=<Your Broker install directory>/ODBC64/V5.3/lib/UKora23.so
Description=DataDirect 5.3 64bit Oracle Wire Protocol
HostName=<Your Oracle Server Machine Name>
PortNumber=<Port on which Oracle is listening on HostName>
SID=<Your Oracle SID>
CatalogOptions=0
EnableStaticCursorsForLongData=0
ApplicationUsingThreads=1
EnableDescribeParam=1
OptimizePrepare=1
WorkArounds=536870912
ProcedureRetResults=1
ColumnSizeAsCharacter=1

;# Oracle Real Application Clusters stanza
[ORACLERACDB]
Driver=<Your Broker install directory>/ODBC64/V5.3/lib/UKora23.so
Description=DataDirect 5.3 64bit Oracle Wire Protocol
HostName=<Your Oracle Server Machine Name>
PortNumber=<Port on which Oracle is listening on HostName>
ServiceName=<Your Oracle Real Application Cluster Service Name>
CatalogOptions=0
EnableStaticCursorsForLongData=0
ApplicationUsingThreads=1
EnableDescribeParam=1
OptimizePrepare=1
WorkArounds=536870912
ProcedureRetResults=1
ColumnSizeAsCharacter=1

;# Sybase Stanza
[SYBASEDB]
Driver=<Your Broker install directory>/ODBC64/V5.3/lib/UKase23.so
Description=DataDirect 5.3 64bit Sybase Wire Protocol
Database=<Your Database Name>
ApplicationUsingThreads=1
EnableDescribeParam=1
OptimizePrepare=1
SelectMethod=0
NetworkAddress=<Your Sybase Server Name>,<Your Sybase Port Number>
SelectUserName=1
ColumnSizeAsCharacter=1
EnableSPColumnTypes=2

;# Sybase Stanza for a UTF8 datasource
[SYBASEDBUTF8]
Driver=<Your Broker install directory>/ODBC64/V5.3/lib/UKase23.so

```

```

Description=DataDirect 5.3 64bit Sybase Wire Protocol
Database=<Your Database Name>
ApplicationUsingThreads=1
EnableDescribeParam=1
OptimizePrepare=1
SelectMethod=0
NetworkAddress=<Your Sybase Server Name>,<Your Sybase Port Number>
SelectUserName=1
ColumnSizeAsCharacter=1
EnableSPColumnTypes=2
Charset=UTF8

;# Informix Stanza
[INFORMIXDB]
Driver=libinfWrapper.so
Description=IBM Informix ODBC Driver
ServerName=<Your Informix Server Name>
Database=<Your Database Name>

#####
##### Mandatory information stanza #####
#####

[ODBC]
;# To turn on ODBC trace set Trace=1
Trace=0
TraceFile=<A Directory with plenty of free space to hold trace output>/odbctrace64.out
TraceDll=<Your Broker install directory>/ODBC64/V5.3/lib/odbctrac.so
InstallDir=<Your Broker install directory>/ODBC64/V5.3
UseCursorLib=0
IANAAppCodePage=4
UNICODE=UTF-8

```

## Linux on x86-64

```

#####
;# 64 bit ODBC database driver manager initialisation file. #
#####
;# It is recommended that you take a copy of this file and then edit the #
;# copy. #
;# #
;# 1. Complete the 'Mandatory information stanza' section #
;# at the end of the file. #
;# #
;# 2. For each data source, add the name of the data source into #
;# the 'List of data sources stanza' section. #
;# #
;# 3. For each data source, create a stanza in the #
;# 'Individual data source stanzas' section. #
#####
#####
;### List of data sources stanza #####
#####

[ODBC Data Sources]
DB2DB=IBM DB2 ODBC Driver
ORACLEDB=DataDirect 5.3 64bit Oracle Wire Protocol
ORACLERACDB=DataDirect 5.3 64bit Oracle Wire Protocol (Real Application Clusters)
SYBASEDB=DataDirect 5.3 64bit Sybase Wire Protocol
SYBASEDBUTF8=DataDirect 5.3 64bit Sybase UTF8 Wire Protocol
SQLSERVERDB=DataDirect V5.3 64bit SQL Server Wire Protocol
INFORMIXDB=IBM Informix ODBC Driver

#####
##### Individual data source stanzas #####
#####

```

```

|# DB2 stanza
[DB2DB]
Driver=libdb2Wrapper64.so
Description=DB2DB DB2 ODBC Database
Database=DB2DB

|# Oracle stanza
[ORACLEDB]
Driver=<Your Broker install directory>/ODBC64/V5.3/lib/UKora23.so
Description=DataDirect 5.3 64bit Oracle Wire Protocol
HostName=<Your Oracle Server Machine Name>
PortNumber=<Port on on which Oracle is listening on HostName>
SID=<Your Oracle SID>
CatalogOptions=0
EnableStaticCursorsForLongData=0
ApplicationUsingThreads=1
EnableDescribeParam=1
OptimizePrepare=1
WorkArounds=536870912
ProcedureRetResults=1
ColumnSizeAsCharacter=1

|# Oracle Real Application Clusters stanza
[ORACLERACDB]
Driver=<Your Broker install directory>/ODBC64/V5.3/lib/UKora23.so
Description=DataDirect 5.3 64bit Oracle Wire Protocol
HostName=<Your Oracle Server Machine Name>
PortNumber=<Port on which Oracle is listening on HostName>
ServiceName=<Your Oracle Real Application Cluster Service Name>
CatalogOptions=0
EnableStaticCursorsForLongData=0
ApplicationUsingThreads=1
EnableDescribeParam=1
OptimizePrepare=1
WorkArounds=536870912
ProcedureRetResults=1
ColumnSizeAsCharacter=1

|# Sybase Stanza
[SYBASEDB]
Driver=<Your Broker install directory>/ODBC64/V5.3/lib/UKase23.so
Description=DataDirect 5.3 64bit Sybase Wire Protocol
Database=<Your Database Name>
ApplicationUsingThreads=1
EnableDescribeParam=1
OptimizePrepare=1
SelectMethod=0
NetworkAddress=<Your Sybase Server Name>,<Your Sybase Port Number>
SelectUserName=1
ColumnSizeAsCharacter=1
EnableSPColumnTypes=2

|# Sybase Stanza for a UTF8 datasource
[SYBASEDBUTF8]
Driver=<Your Broker install directory>/ODBC64/V5.3/lib/UKase23.so
Description=DataDirect 5.3 64bit Sybase Wire Protocol
Database=<Your Database Name>
ApplicationUsingThreads=1
EnableDescribeParam=1
OptimizePrepare=1
SelectMethod=0
NetworkAddress=<Your Sybase Server Name>,<Your Sybase Server Port Number>
SelectUserName=1
ColumnSizeAsCharacter=1
EnableSPColumnTypes=2
Charset=UTF8

|# UNIX to SQLServer stanza
[SQLSERVERDB]
Driver=<Your Broker install directory>/ODBC64/V5.3/lib/UKmsss23.so

```

```

Description=DataDirect 5.3 64bit SQL Server Wire Protocol
Address=<Your SQLServer Server Name>,<your SQLServer Port Number>
AnsiNPW=Yes
Database=db
QuotedId=No
ColumnSizeAsCharacter=1

;# Informix Stanza
[INFORMIXDB]
Driver=libinfWrapper64.so
Description=IBM Informix ODBC Driver
ServerName=<Your Informix Server Name>
Database=<Your Database Name>

;#####
;##### Mandatory information stanza #####
;#####

[ODBC]
;# To turn on ODBC trace set Trace=1
Trace=0
TraceFile=<A Directory with plenty of free space to hold trace output>/odbctrace64.out
TraceDll=<Your Broker install directory>/ODBC64/V5.3/lib/odbctrac.so
InstallDir=<Your Broker install directory>/ODBC64/V5.3
UseCursorLib=0
IANAAppCodePage=4
UNICODE=UTF-8

```

## Linux on System z

```

;#####
;# 64 bit ODBC database driver manager initialisation file. #
;#####
;# It is recommended that you take a copy of this file and then edit the #
;# copy. #
;# #
;# 1. Complete the 'Mandatory information stanza' section #
;# at the end of the file. #
;# #
;# 2. For each data source, add the name of the data source into #
;# the 'List of data sources stanza' section. #
;# #
;# 3. For each data source, create a stanza in the #
;# 'Individual data source stanzas' section. #
;#####

;#####
;### List of data sources stanza #####
;#####

[ODBC Data Sources]
DB2DB=IBM DB2 ODBC Driver
ORACLEDB=DataDirect 5.3 64bit Oracle Wire Protocol
ORACLERACDB=DataDirect 5.3 64bit Oracle Wire Protocol (Real Application Clusters)
INFORMIXDB=IBM Informix ODBC Driver

;#####
;##### Individual data source stanzas #####
;#####

;# DB2 stanza
[DB2DB]
DRIVER=libdb2Wrapper.so
Description=DB2DB DB2 ODBC Database
Database=DB2DB

;# Oracle stanza
[ORACLEDB]
Driver=<Your Broker install directory>/ODBC64/V5.3/lib/UKora23.so
Description=DataDirect 5.3 64bit Oracle Wire Protocol
HostName=<Your Oracle Server Machine Name>

```

```

PortNumber=<Port on which Oracle is listening on HostName>
SID=<Your Oracle SID>
CatalogOptions=0
EnableStaticCursorsForLongData=0
ApplicationUsingThreads=1
EnableDescribeParam=1
OptimizePrepare=1
WorkArounds=536870912
ProcedureRetResults=1
ColumnSizeAsCharacter=1

;# Oracle Real Application Clusters stanza
[ORACLERACDB]
Driver=<Your Broker install directory>/ODBC64/V5.3/lib/UKora23.so
Description=DataDirect 5.3 64bit Oracle Wire Protocol
HostName=<Your Oracle Server Machine Name>
PortNumber=<Port on which Oracle is listening on HostName>
ServiceName=<Your Oracle Real Application Cluster Service Name>
CatalogOptions=0
EnableStaticCursorsForLongData=0
ApplicationUsingThreads=1
EnableDescribeParam=1
OptimizePrepare=1
WorkArounds=536870912
ProcedureRetResults=1
ColumnSizeAsCharacter=1

;# Informix Stanza
[INFORMIXDB]
Driver=libinfWrapper.so
Description=IBM Informix ODBC Driver
ServerName=<Your Informix Server Name>
Database=<Your Database Name>

;#####
;##### Mandatory information stanza #####
;#####

[ODBC]
;# To turn on ODBC trace set Trace=1
Trace=0
TraceFile=<A Directory with plenty of free space to hold trace output>/odbctrace64.out
TraceDll=<Your Broker install directory>/ODBC64/V5.3/lib/odbctrac.so
InstallDir=<Your Broker install directory>/ODBC64/V5.3
UseCursorLib=0
IANAAppCodePage=4
UNICODE=UTF-8

```

## Solaris on SPARC

```

;#####
;# 64 bit ODBC database driver manager initialisation file. #
;#####
;# It is recommended that you take a copy of this file and then edit the #
;# copy. #
;# #
;# 1. Complete the 'Mandatory information stanza' section #
;# at the end of the file. #
;# #
;# 2. For each data source, add the name of the data source into #
;# the 'List of data sources stanza' section. #
;# #
;# 3. For each data source, create a stanza in the #
;# 'Individual data source stanzas' section. #
;#####

;#####
;### List of data sources stanza #####
;#####

```

```

[ODBC Data Sources]
DB2DB=IBM DB2 ODBC Driver
ORACLEDB=DataDirect 5.3 64bit Oracle Wire Protocol
ORACLERACDB=DataDirect 5.3 64bit Oracle Wire Protocol (Real Application Clusters)
SYBASEDB=DataDirect 5.3 64bit Sybase Wire Protocol
SYBASEDBUTF8=DataDirect 5.3 64bit Sybase UTF8 Wire Protocol
SQLSERVERDB=DataDirect 5.3 64bit SQL Server Wire Protocol
INFORMIXDB=IBM Informix ODBC Driver

#####
##### Individual data source stanzas #####
#####

;# DB2 stanza
[DB2DB]
DRIVER=libdb2Wrapper64.so
Description=DB2DB DB2 ODBC Database
Database=DB2DB

;# Oracle stanza
[ORACLEDB]
Driver=<Your Broker install directory>/ODBC64/V5.3/lib/UKora23.so
Description=DataDirect 5.3 64bit Oracle Wire Protocol
HostName=<Your Oracle Server Name>
PortNumber=<Port on which Oracle is listening on HostName>
SID=<Your Oracle SID>
CatalogOptions=0
EnableStaticCursorsForLongData=0
ApplicationUsingThreads=1
EnableDescribeParam=1
OptimizePrepare=1
WorkArounds=536870912
ProcedureRetResults=1
ColumnSizeAsCharacter=1

;# Oracle Real Application Clusters stanza
[ORACLERACDB]
Driver=<Your Broker install directory>/ODBC64/V5.3/lib/UKora23.so
Description=DataDirect 5.3 64bit Oracle Wire Protocol
HostName=<Your Oracle Server Machine Name>
PortNumber=<Port on which Oracle is listening on HostName>
ServiceName=<Your Oracle Real Application Cluster Service Name>
CatalogOptions=0
EnableStaticCursorsForLongData=0
ApplicationUsingThreads=1
EnableDescribeParam=1
OptimizePrepare=1
WorkArounds=536870912
ProcedureRetResults=1
ColumnSizeAsCharacter=1

;# Sybase Stanza
[SYBASEDB]
Driver=<Your Broker install directory>/ODBC64/V5.3/lib/UKase23.so
Description=DataDirect 5.3 64bit Sybase Wire Protocol
Database=<Your Database Name>
ApplicationUsingThreads=1
EnableDescribeParam=1
OptimizePrepare=1
SelectMethod=0
NetworkAddress=<Your Sybase Server Name>,<Your Sybase Port Number>
SelectUserName=1
ColumnSizeAsCharacter=1
EnableSPColumnTypes=2

;# Sybase Stanza for a UTF8 datasource
[SYBASEDBUTF8]
Driver=<Your Broker install directory>/ODBC64/V5.3/lib/UKase23.so
Description=DataDirect 5.3 64bit Sybase Wire Protocol
Database=<Your Database Name>
ApplicationUsingThreads=1

```

```

EnableDescribeParam=1
OptimizePrepare=1
SelectMethod=0
NetworkAddress=<Your Sybase Server Name>,<Your Sybase Port Number>
SelectUserName=1
ColumnSizeAsCharacter=1
EnableSPColumnTypes=2
Charset=UTF8

;# UNIX to SQLServer stanza
[SQLSERVERDB]
Driver=<Your Broker install directory>/ODBC64/V5.3/lib/UKmsss23.so
Description=DataDirect 5.3 64bit SQL Server Wire Protocol
Address=<Your SQLServer Server Name>,<your SQLServer Port Number>
AnsiNPW=Yes
Database=db
QuotedId=No
ColumnSizeAsCharacter=1

;# Informix Stanza
[INFORMIXDB]
Driver=libinfWrapper64.so
Description=IBM Informix ODBC Driver
ServerName=<Your Informix Server Name>
Database=<Your Database Name>

#####
##### Mandatory information stanza #####
#####

[ODBC]
;# To turn on ODBC trace set Trace=1
Trace=0
TraceFile=<A Directory with plenty of free space to hold trace output>/odbctrace64.out
TraceDll=<Your Broker install directory>/ODBC64/V5.3/lib/odbctrac.so
InstallDir=<Your Broker install directory>/ODBC64/V5.3
UseCursorLib=0
IANAAppCodePage=4
UNICODE=UTF-8

```

## Solaris on x86-64

```

#####
;# 64 bit ODBC database driver manager initialisation file. #
#####
;# It is recommended that you take a copy of this file and then edit the #
;# copy. #
;# #
;# 1. Complete the 'Mandatory information stanza' section #
;# at the end of the file. #
;# #
;# 2. For each data source, add the name of the data source into #
;# the 'List of data sources stanza' section. #
;# #
;# 3. For each data source, create a stanza in the #
;# 'Individual data source stanzas' section. #
#####
#####
##### List of data sources stanza #####
#####
[ODBC Data Sources]
DB2DB=IBM DB2 ODBC Driver
ORACLEDB=DataDirect 5.3 64bit Oracle Wire Protocol
ORACLERACDB=DataDirect 5.3 64bit Oracle Wire Protocol (Real Application Clusters)
SYBASEDB=DataDirect 5.3 64bit Sybase Wire Protocol
SYBASEDBUTF8=DataDirect 5.3 64bit Sybase UTF8 Wire Protocol

```

```

#####
##### Individual data source stanzas #####
#####
;# DB2 stanza
[DB2DB]
Driver=libdb2Wrapper64.so
Description=DB2DB DB2 ODBC Database
Database=DB2DB

;# Oracle stanza
[ORACLEDB]
Driver=<Your install directory>/ODBC64/V5.3/lib/UKora23.so
Description=DataDirect 5.3 64bit Oracle Wire Protocol
HostName=<Your Oracle Server Machine Name>
PortNumber=<Port on which Oracle is listening on HostName>
SID=<Your Oracle SID>
CatalogOptions=0
EnableStaticCursorsForLongData=0
ApplicationUsingThreads=1
EnableDescribeParam=1
OptimizePrepare=1
WorkArounds=536870912
ProcedureRetResults=1
ColumnSizeAsCharacter=1

;# Oracle Real Application Clusters stanza
[ORACLERACDB]
Driver=<Your Broker install directory>/ODBC64/V5.3/lib/UKora23.so
Description=DataDirect 5.3 64bit Oracle Wire Protocol
HostName=<Your Oracle Server Machine Name>
PortNumber=<Port on which Oracle is listening on HostName>
ServiceName=<Your Oracle Real Application Cluster Service Name>
CatalogOptions=0
EnableStaticCursorsForLongData=0
ApplicationUsingThreads=1
EnableDescribeParam=1
OptimizePrepare=1
WorkArounds=536870912
ProcedureRetResults=1
ColumnSizeAsCharacter=1

;# Sybase Stanza
[SYBASEDB]
Driver=<Your install directory>/ODBC64/V5.3/lib/UKase23.s1
Description=DataDirect 5.3 Sybase Wire Protocol
Database=<Your Database Name>
ApplicationUsingThreads=1
EnableDescribeParam=1
OptimizePrepare=1
SelectMethod=0
NetworkAddress=<YourServerName>,<YourPortNumber>
SelectUserName=1
EnableSPColumnType=2

;# Sybase Stanza for a UTF8 datasource
[SYBASEBUTF8]
Driver=<Your Broker install directory>/ODBC64/V5.3/lib/UKase23.so
Description=DataDirect 5.3 64bit Sybase Wire Protocol
Database=<Your Database Name>
ApplicationUsingThreads=1
EnableDescribeParam=1
OptimizePrepare=1
SelectMethod=0
NetworkAddress=<Your Sybase Server Name>,<Your Sybase Port Number>
SelectUserName=1
ColumnSizeAsCharacter=1
EnableSPColumnType=2
Charset=UTF8

```



```
| ;#####  
| ;##### Mandatory information stanza #####  
| ;#####  
|  
| [ODBC]  
| ;# To turn on ODBC trace set Trace=1  
| Trace=0  
| TraceFile=<A Directory with plenty of free space to hold trace ouput>/odbctrace64.out  
| TraceDll=<Your Broker install directory>/ODBC64/V5.3/lib/odbctrac.so  
| InstallDir=<Your Broker install directory>/ODBC64/V5.3  
| UseCursorLib=0  
| IANAAppCodePage=4
```



---

## Operations

To configure and administer the broker domain you must configure the broker and other components for your environment. You can configure and administer your broker domain and other components by running commands depending on your operating system.

Follow the links below for more information:

- “Broker properties”
- “Commands” on page 365
- “z/OS specific information” on page 629

---

## Broker properties

The following table is a reference for the broker properties.

Property	Meaning
Queue Manager Name	The name of the WebSphere MQ queue manager being used by the broker. The name must be exactly the same name specified for this broker’s queue manager on the <b>mqsicreatebroker</b> command.
Interbroker Host Name	Interbroker host name to use.
Interbroker Port Number	Interbroker port number to use.
Authentication Protocol Type	The authentication protocols that the broker supports. There are four authentication protocols:  <b>P</b> Password in the clear <b>M</b> Mutual Challenge and response <b>S</b> Asymmetric SSL <b>R</b> Symmetric SSL
SSL Key Ring File Name	The filename (including path) to the SSL keyring file. This is required for authentication when using the Asymmetric and Symmetric (S and R) authentication protocols.  The file name and path refer to the path accessible from the broker and not necessarily the tooling, if on different machines.
SSL Password File Name	The SSL keyring file is encrypted and requires a passphrase to decode it. This field is used to specify the filename containing the passphrase required.  The file name and path refer to the path accessible from the broker and not necessarily the tooling, if on different machines.
SSL HTTP Listener	Use the “mqsicreateusernameserver command” on page 514 or “mqsichangeusernameserver command” on page 474 to enable the SSL HTTP Listener authentication options.

The following three properties:

- Temporary Topic Quality Of Protection
- Sys Topic Quality Of Protection
- ISys Topic Quality Of Protection

refer to the Message Protection feature (QoP) on the “mqsichangeproperties command” on page 432. See “Implementing quality of protection” on page 70 for details on setting these for temporary topics.

---

## Restrictions that apply in each operation mode

The operation mode in which your broker is working defines how many execution groups and message flows you can use, and which nodes are available.

### **Trial Edition mode**

All features are enabled, but you can use the product for only 90 days after installation.

### **Enterprise mode**

All features are enabled and no restrictions or limits are imposed.

### **Starter Edition mode**

All features are enabled, but the number of execution groups that you can create, and the number of message flows that you can deploy, are limited. You can create one execution group, and you can deploy a maximum of 10 message flows to that execution group.

Not all samples work in this mode. If you want to run samples to explore and understand the features of the product, you can install them on your development and unit test computers; see [Development and unit test](#).

### **Remote Adapter Deployment mode**

Only adapter-related features are enabled, and the types of node that you can use, and the number of execution groups that you can create, are limited. You can create up to two execution groups, with no limit on the number of deployed message flows in each of these execution groups.

Not all samples work in this mode. If you want to run samples to explore and understand the features of the product, you can install them on your development and unit test computers; see [Development and unit test](#).

The following inbound and outbound EIS adapter nodes are available in this mode:

- PeopleSoftInput node
- PeopleSoftRequest node
- SAPInput node
- SAPRequest node
- SiebelInput node
- SiebelRequest node

The following input and output transport nodes are available in this mode:

- FileInput node
- FileOutput node
- HTTPInput node
- HTTPReply node
- JMSInput node

- JMSOutput node
- MQInput node
- MQOutput node
- SOAPInput node
- SOAPReply node
- SOAPRequest node
- TimeoutControl node
- TimeoutNotification node

The following transformation node is available in this mode:

- JavaCompute node

---

## Commands

Details about all of the Message Broker Toolkit commands, followed by the other commands grouped by function, provided by WebSphere Message Broker on distributed systems.

For information about the comparable commands on WebSphere Message Broker for z/OS, see “Summary of commands on Windows, z/OS, Linux, and UNIX systems” on page 367.

### WebSphere Message Broker Toolkit commands

- mqsiaapplybaroverride “mqsiaapplybaroverride command” on page 377
- mqsicreatebar “mqsicreatebar command” on page 382
- mqsicreatemsgdefs “mqsicreatemsgdefs command” on page 384
- mqsicreatemsgdefsfromwsdl “mqsicreatemsgdefsfromwsdl command” on page 393
- mqsimigratemfmaps “mqsimigratemfmaps command” on page 395
- mqsireadbar “mqsireadbar command” on page 380

### WebSphere Message Broker commands

#### Broker commands

- mqsicreatebroker “mqsicreatebroker command” on page 487
- mqsichangebroker “mqsichangebroker command” on page 399
- mqsideletebroker “mqsideletebroker command” on page 529
- mqsicreateexecutiongroup “mqsicreateexecutiongroup command” on page 512
- mqsideleteexecutiongroup “mqsideleteexecutiongroup command” on page 537
- mqsimode “mqsimode command” on page 574
- mqsireload “mqsireload command” on page 583
- mqsireloadsecurity “mqsireloadsecurity command” on page 585

#### Database commands

- mqsiaapplybaroverride “mqsiaapplybaroverride command” on page 377
- mqsireadbar “mqsireadbar command” on page 380
- mqsicreatedb “mqsicreatedb command” on page 510

	mqsichangedbimgr	"mqsichangedbimgr command" on page 414
	mqsidedeletedb	"mqsidedeletedb command" on page 536
	mqsisetdbparms	"mqsisetdbparms command" on page 609
	mqsi_setupdatabase	"mqsi_setupdatabase command" on page 615
	mqsimanagexalinks	"mqsimanagexalinks command" on page 566
	Configuration Manager commands	
	mqsicreateconfigmgr	"mqsicreateconfigmgr command" on page 500
	mqsichangeconfigmgr	"mqsichangeconfigmgr command" on page 410
	mqsideleteconfigmgr	"mqsideleteconfigmgr command" on page 531
	mqsibackupconfigmgr	"mqsibackupconfigmgr command" on page 398
	mqsirestoreconfigmgr	"mqsirestoreconfigmgr command" on page 608
	User Name Server commands	
	mqsicreateusernameserver	"mqsicreateusernameserver command" on page 514
	mqsichangeusernameserver	"mqsichangeusernameserver command" on page 474
	mqsideleteusernameserver	"mqsideleteusernameserver command" on page 540
	Start and stop commands	
	mqsistart	"mqsistart command" on page 616
	mqsistop	"mqsistop command" on page 622
	mqsistartmsgflow	"mqsistartmsgflowcommand" on page 619
	mqsistopmsgflow	"mqsistopmsgflow command" on page 626
	List and trace commands	
	mqsilist	"mqsilist (list resources) command" on page 554
	mqsichangetrace	"mqsichangetrace command" on page 466
	mqsiformatlog	"mqsiformatlog command" on page 551
	mqsireadlog	"mqsireadlog command" on page 579
	mqsireporttrace	"mqsireporttrace command" on page 604
	WebSphere MQ Publish/Subscribe interoperability commands	
	mqsiclearmqpubsub	"mqsiclearmqpubsub command" on page 478
	mqsijoinmqpubsub	"mqsijoinmqpubsub command" on page 552
	mqsilistmqpubsub	"mqsilistmqpubsub command" on page 564
	Migration commands	
	mqsimigratecomponents	"mqsimigratecomponents command" on page 569
	Properties commands	
	mqsichangeproperties	"mqsichangeproperties command" on page 432
	mqsireportproperties	"mqsireportproperties command" on page 599
	Monitoring commands	
	mqsichangeflowmonitoring	"mqsichangeflowmonitoring command" on page 416
	mqsireportflowmonitoring	"mqsireportflowmonitoring command" on page 588

Statistics commands

- mqsichangeflowstats “mqsichangeflowstats command” on page 421
- mqsireportflowstats “mqsireportflowstats command” on page 593

Miscellaneous commands

- mqsichangeflowuserexits “mqsichangeflowuserexits command” on page 428
- mqsicreateaclentry “mqsicreateaclentry command” on page 479
- mqsicreateconfigurablesevice “mqsicreateconfigurablesevice command” on page 507
- mqsicreateexecutiongroup “mqsicreateexecutiongroup command” on page 512
- mqsicvp “mqsicvp command” on page 520
- mqsdeleteaclentry “mqsdeleteaclentry command” on page 522
- mqsdeleteconfigurablesevice “mqsdeleteconfigurablesevice command” on page 535
- mqsdeleteexecutiongroup “mqsdeleteexecutiongroup command” on page 537
- mqsdeploy “mqsdeploy command” on page 542
- mqsilistaclentry “mqsilistaclentry command” on page 556
- mqsireportflowuserexits “mqsireportflowuserexits command” on page 597
- mqsisetsecurity “mqsisetsecurity command” on page 614

## Summary of commands on Windows, z/OS, Linux, and UNIX systems

The following table summarizes the *runtime* commands available on Windows platforms, Linux, and UNIX systems and provides the z/OS equivalent, where it is available.

Command on Windows platforms, Linux, and UNIX systems	z/OS equivalent: type	z/OS equivalent	z/OS References
mqsipplybaroverride	Utility JCL	BIPOBAR	“Contents of the broker PDSE” on page 640
mqsibackupconfigmgr	Utility JCL	BIPBUM	“Contents of the Configuration Manager PDSE” on page 643
mqsichangebroker	1. Console command: modify 2. Utility JCL	1. changebroker 2. BIPCHBK	1. “mqsichangebroker command” on page 399 2. “Contents of the broker PDSE” on page 640
mqsichangeconfigmgr	1. Console command: modify 2. Utility JCL	1. changeconfigmgr 2. BIPCHCM	1. “mqsichangeconfigmgr command” on page 410 2. “Contents of the Configuration Manager PDSE” on page 643
mqsichangedbimgr	N/A	-	-

mqsichangeflowmonitoring	1. Console command: modify 2. Utility JCL	1. changeflowmonitoring 2. BIPCHME	1. "mqsichangeflowmonitoring command" on page 416 2. "Contents of the broker PDSE" on page 640
mqsichangeflowstats	1. Console command: modify 2. Utility JCL	1. changeflowstats 2. BIPCHMS	1. "mqsichangeflowstats command" on page 421 2. "Contents of the broker PDSE" on page 640
mqsichangeflowuserexits	1. UNIX System Services command 2. Utility JCL	1. <b>mqsichangeflowuserexits</b> 2. BIPCHUE	1. "mqsichangeflowuserexits command" on page 428 2. "Contents of the broker PDSE" on page 640
mqsichangeproperties	Utility JCL	BIPCHPR	"Contents of the broker PDSE" on page 640
mqsichangetrace	console command: modify	changetrace	"mqsichangetrace command" on page 466
mqsichangeusernameserver	1. Console command: modify 2. Utility JCL	1. changeusernameserver 2. BIPCHUN	1. "mqsichangeusernameserver command" on page 474 2. "Contents of the User Name Server PDSE" on page 642
mqsiclearmqpubsub	Utility JCL	BIPCLMP	"Contents of the broker PDSE" on page 640
mqsicreateaclentry	1. Console command: modify 2. Utility JCL	1. createaclentry 2. BIPCRACL	1. "mqsicreateaclentry command" on page 479 2. "Contents of the Configuration Manager PDSE" on page 643
mqsicreatebroker	UNIX System Services command	"mqsicreatebroker command" on page 487	"mqsicreatebroker command" on page 487
mqsicreateconfigmgr	Utility JCL	BIPCRCM	"Contents of the Configuration Manager PDSE" on page 643
mqsicreateconfigurableservice	Utility JCL	BIPJADPR	"Contents of the broker PDSE" on page 640
mqsicreateexecutiongroup	Utility JCL	BIPCREG	"Contents of the Configuration Manager PDSE" on page 643
mqsicreateusernameserver	UNIX System Services command	"mqsicreateusernameserver command" on page 514	"mqsicreateusernameserver command" on page 514
mqsideleteaclentry	1. Console command: modify 2. Utility JCL	1. deleteaclentry 2. BIPDLACL	1. "mqsideleteaclentry command" on page 522 2. "Contents of the Configuration Manager PDSE" on page 643
mqsideletebroker	Utility JCL	BIPDLBK	"Contents of the broker PDSE" on page 640



mqsdeleteconfigmgr	Utility JCL	BIPDLCM	"Contents of the Configuration Manager PDSE" on page 643
mqsdeleteconfigurableservice	Utility JCL	BIPJADPR	"Contents of the broker PDSE" on page 640
mqsdeleteexecutiongroup	Utility JCL	BIPDLEG	"Contents of the Configuration Manager PDSE" on page 643
mqsdeleteusernameserver	Utility JCL	BIPDLUN	"Contents of the User Name Server PDSE" on page 642
mqsdeploy	1. Console command: modify 2. Utility JCL	1. deploy 2. BIPDPLY	1. "mqsdeploy command" on page 542 2. "Contents of the broker PDSE" on page 640
mqsiformatlog	Utility JCL	BIPFMLG	"Contents of the broker PDSE" on page 640
mqsijoinmqpubsub	Utility JCL	BIPJNMP	"Contents of the broker PDSE" on page 640
mqsilist	1. Console command: modify 2. Utility JCL	1. list 2. BIPLIST	1. "mqsilist (list resources) command" on page 554 2. "Contents of the Configuration Manager PDSE" on page 643
mqsilistaclentry	1. Console command: modify 2. Utility JCL	1. listaclentry 2. BIPLIACL	1. "mqsilistaclentry command" on page 556 2. "Contents of the Configuration Manager PDSE" on page 643
mqsilistmqpubsub	Utility JCL	BIPLSMP	"Contents of the broker PDSE" on page 640
mqsimigratecomponents	Utility JCL	BIPMGCMP	"mqsimigratecomponents command" on page 569
mqsimode	N/A		
mqsireadbar	Utility JCL	BIPRBAR	"Contents of the broker PDSE" on page 640
mqsireadlog	Utility JCL	BIPRELG	"Contents of the broker PDSE" on page 640
mqsireload	console command: modify	reload	"mqsireload command" on page 583
mqsireloadsecurity	Utility JCL	BIPRLSEC	"Contents of the Configuration Manager PDSE" on page 643
mqsireportflowmonitoring	1. Console command: modify 2. Utility JCL	1. reportflowmonitoring 2. BIPRPME	1. "mqsireportflowmonitoring command" on page 588 2. "Contents of the broker PDSE" on page 640

mqsireportflowstats	1. Console command: modify 2. Utility JCL	1. reportflowstats 2. BIPRPMs	1. "mqsireportflowstats command" on page 593 2. "Contents of the broker PDSE" on page 640
mqsireportflowuserexits	1. UNIX System Services command 2. Utility JCL	1. <b>mqsireportflowuserexits</b> 2. BIPRPUE	1. "mqsireportflowuserexits command" on page 597 2. "Contents of the broker PDSE" on page 640
mqsireportproperties	Utility JCL	BIPRPPR	"Contents of the broker PDSE" on page 640
mqsireporttrace	console command: modify	reporttrace	"mqsireporttrace command" on page 604
mqsirestoreconfigmgr	Utility JCL	BIPRSCM	"Contents of the Configuration Manager PDSE" on page 643
mqsisetdbparms	Utility JCL	BIPsDBP	"mqsisetdbparms command" on page 609
mqsisetsecurity	N/A	-	-
mqsistart	1. Console command: start 2. console command: modify	1. standard MVS start command 2. startcomponent	1. - 2. "mqsistart command" on page 616
mqsistartmsgflow	Utility JCL	BIPSTMF	"Contents of the Configuration Manager PDSE" on page 643
mqsistop	1. console command: stop 2. console command: modify	1. standard MVS stop command 2. 'p' stopcomponent	1. - 2. "mqsistop command" on page 622
mqsistopmsgflow	Utility JCL	BIPSPMF	"Contents of the Configuration Manager PDSE" on page 643

## Syntax diagrams: available types

The syntax for commands and ESQL statements and functions is presented in the form of a diagram. The diagram tells you what you can do with the command, statement, or function and indicates relationships between different options and, sometimes, different values of an option. There are two types of syntax diagrams: railroad diagrams and dotted decimal diagrams. Railroad diagrams are a visual format suitable for sighted users. Dotted decimal diagrams are text-based diagrams that are more helpful for blind or partially-sighted users.

To select which type of syntax diagram you use, click the appropriate button above the syntax diagram in the topic that you are viewing.

The following topics describe how to interpret each type of diagram:

- "How to read railroad diagrams" on page 371
- "How to read dotted decimal diagrams" on page 373

## How to read railroad diagrams

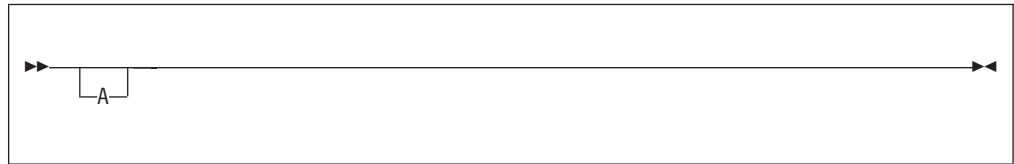
Each railroad diagram begins with a double right arrow and ends with a right and left arrow pair. Lines beginning with a single right arrow are continuation lines. You read a railroad diagram from left to right and from top to bottom, following the direction of the arrows.

The following examples show other conventions used in railroad diagrams.

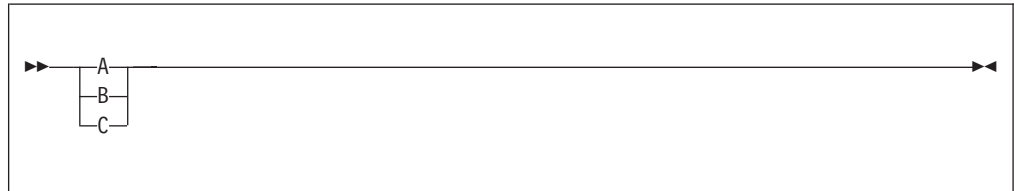
This example shows that you must specify values A, B, and C. Required values are shown on the main line of a railroad diagram:



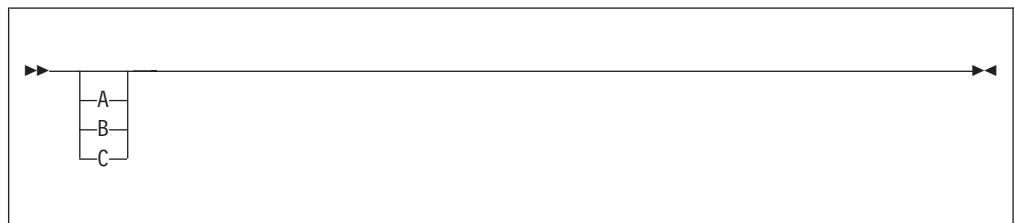
This shows that you can specify value A. Optional values are shown below the main line of a railroad diagram:



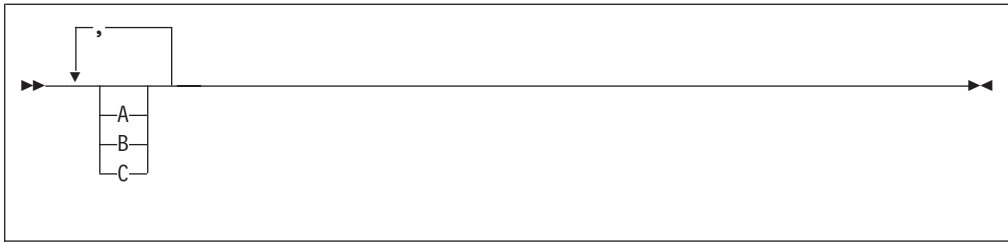
The next example specifies that values A, B, and C are options, one of which you must specify:



Values A, B, and C are options in this example, one of which you can specify:



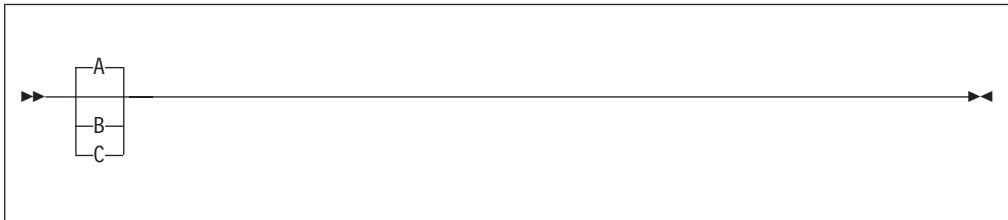
The next example shows that you can specify one or more of the values A, B, and C. Any required separator for multiple or repeated values (in this example, the comma (,)) is shown on the arrow:



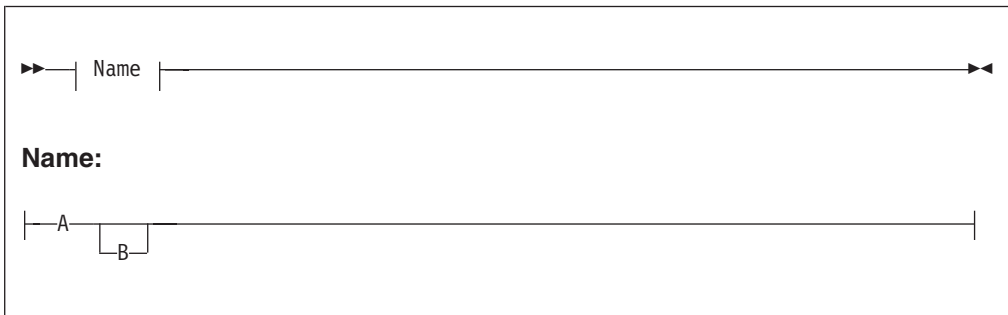
In this example, you can specify value A multiple times. The separator in this example is optional:



Values A, B, and C are alternatives in the next example, one of which you can specify. If you specify none of the values shown, the default A (the value shown above the main line) is used:



The last example shows the use of a syntax fragment Name, which is shown separately from the main railroad diagram. This technique is used to simplify the diagram, or help fit it into the page of text. The fragment could be used multiple times in the railroad diagram:



Punctuation and uppercase values must be specified exactly as shown.

Lowercase values (for example, *name*) indicate where to type your own text in place of the *name* variable.

## How to read dotted decimal diagrams

In dotted decimal format, each syntax element is written on a separate line. If two or more syntax elements are always present together (or always absent together), they can appear on the same line, because they can be considered as a single compound syntax element.

Each line starts with a dotted decimal number, for example 3 or 3.1 or 3.1.1. To hear these numbers correctly, make sure that your screen reader is set to read out punctuation. All the syntax elements that have the same dotted decimal number (for example, all the syntax elements that have the number 3.1) are mutually exclusive alternatives. For example, if you hear the lines 3.1 USERID, 3.1 SYSTEMID, you know that your syntax can include either USERID or SYSTEMID, but not both.

The dotted decimal numbering level denotes the level of nesting. For example, if a syntax element with the dotted decimal number 3 is followed by a series of syntax elements with the dotted decimal number 3.1, all the syntax elements numbered 3.1 are subordinate to the syntax element numbered 3.

Characters such as commas that are used to separate a string of syntax elements are shown in the syntax just before the items that they separate. They can appear on the same line as each item, or on a separate line with the same dotted decimal number as the relevant items. The line might also show another symbol giving information about the syntax elements; all these symbols are explained below. For example, the lines 5.1\* ,, 5.1 LASTRUN, 5.1 DELETE mean that if you use more than one of the syntax elements LASTRUN and DELETE, they must be separated by a comma. If no separator is given, assume that you use a blank to separate each syntax element.

If a syntax element is preceded by the % symbol, this indicates a reference that is defined elsewhere. The string following the % is the name of a syntax fragment, rather than a literal. For example, the line 2.1 %OP1 means that, at this point, you must refer to the separate syntax fragment OP1. OP1, in the syntax from which this example was taken, gave a list of further options.

Certain words and symbols are used next to the dotted decimal numbers to add information about the syntax elements. Occasionally, these words and symbols might occur at the beginning of the element itself. For ease of identification, if the word or symbol is a part of the syntax element, it is preceded by the escape character, which is a \ (backslash). For example, the \* symbol can be used next to a dotted decimal number to mean that this syntax element can be repeated. If a syntax element actually starts with the \* symbol, for example a syntax element \* FILE with the dotted decimal number 3, it is given in the format 3 \\* FILE. If the format is 3\* FILE, this means that there is a syntax element FILE, which can be repeated. If the format is 3\* \\* FILE, this means that there is a syntax element \* FILE, which can be repeated.

The words and symbols used next to the dotted decimal numbers are as follows:

- **? means an optional syntax element.** If a dotted decimal number is followed by the ? symbol, this means that all the syntax elements with that dotted decimal number, and any subordinate syntax elements that they each have, are optional. If there is only one syntax element with that dotted decimal number, the ? symbol appears on the same line as the syntax element, for example 5? NOTIFY. If there is more than one syntax element with that dotted decimal number, the ? symbol appears on a line by itself, followed by the syntax elements that are optional. For example, if you hear the lines 5 ?, 5 NOTIFY, 5 UPDATE, you know



- (dash)	_ (underscore)	@	~ (tilde)
!	(	)	{
}	[	]	&
#	&	+	, (comma)
;	=	(space)	

– The following special characters, with the exception of a space, are accepted on Linux and UNIX platforms:

. (dot)	%	- (dash)	_ (underscore)
@	~ (tilde)	!	{
}	[	]	&
#	, (comma)	=	(space)

In general, you can use characters **A** through **Z**, **a** through **z**, and **0** through **9**, plus any Unicode character with a decimal value greater than 127 (hexadecimal X'7F'), provided that your operating system can recognize the characters chosen.

If you expect to trace the operation of an execution group, restrict the name of the execution group to include only the valid alphabetic and numeric characters listed. The trace commands do not support the use of special characters for an execution group name.

For all other resources (User Name Server, message sets, message flows, and topics), any characters that are supported by the database configuration are supported.

On Windows platforms, broker names, Configuration Manager names, and fixed names ( `UserNameServer`) are not case sensitive. For example, broker names `Broker1` and `BROKER1` refer to the same broker.

On Linux and UNIX systems, broker names and Configuration Manager names are case sensitive, and the examples above would refer to different brokers. You must use `UserNameServer` as shown.

On z/OS systems, you must enclose mixed-case names in quotation marks.

There are additional rules for naming message service folders within the `MQRFH2` header.

## Rules for using commands

Observe the following rules when using the WebSphere Message Broker commands on distributed systems. If you are using commands on z/OS, refer to the section on z/OS commands in “Commands” on page 365 .

- Each command must be issued on the system on which the resource it relates to is defined (or is to be created).
- Each command starts with a primary keyword (the executable command name) followed by one or more blanks.
- Following the primary keyword, flags (parameters) can occur in any order.
- Flags are shown in this book in the form `-t`, for example. In all cases, the character `/` can be substituted for the `-` character.
- If a flag has a corresponding value, its value must follow the flag to which it relates. A flag can be followed by its value directly or can be separated by any number of blanks.

- Flags can be concatenated if they do not have corresponding values, although the last flag in a concatenated group *can* have a value associated with it. For example, the command:

```
mqsireadlog WBRK_BROKER -u -e default -o trace.xml -f
```

could be entered as:

```
mqsireadlog WBRK_BROKER -ufedefault -o trace.xml
```

where the name of the execution group, `default`, relates to the `-e` flag. For clarity, all examples given in this documentation are shown with separate flags and with a space before any associated value.

- Repeated flags are not allowed.
- Strings that contain blanks or special characters must be enclosed in double quotation marks. For example:

```
mqsireadlog "My Broker" -u -e default -o trace.xml -f
```

Additionally, you can specify a null, or empty, string with a pair of double quotes with nothing between: `""`. For example:

```
mqsichangeconfigmgr -s ""
```

- The case sensitivity of primary keywords and parameters depends on the underlying operating system. On Windows platforms keywords are not case sensitive; `mqsistart`, `mqsiSTART`, and `MQSISTART` are all acceptable. On UNIX platforms, you must use lower case; only `mqsistart` is acceptable.

All WebSphere Message Broker commands have dependencies on WebSphere MQ function. You must ensure that WebSphere MQ is available before issuing these commands.

## Responses to commands

Responses are issued to the commands as messages. If a command is successful, it returns a return code of zero, and a message with the number BIP8071I (command successful).

Warning and error responses are listed in the command descriptions. If the command is unsuccessful and returns, for example, the message BIP8083, it has an exit code, in this case, of 83.

The following responses are returned by all the commands, and are not listed with each individual command:

- BIP8001 Unknown flag selected
- BIP8002 Selected flags incompatible
- BIP8003 Duplicate flag
- BIP8004 Invalid flags or arguments
- BIP8005 Flag or argument missing
- BIP8006 Mandatory flag missing
- BIP8007 Mandatory argument missing
- BIP8009 Program name not valid
- BIP8083 Invalid component name



## Runtime and workbench commands (common)

This topic describes the commands that are common to both runtime and workbench environments.

The following commands are available on workstations that have either the runtime, the workbench, or both components installed:

- “mqsiapplybaroverride command”
- “mqsireadbar command” on page 380.

If either of these commands is run on a workstation that has both the runtime and workbench components installed, the version of the command that is used is determined by the relative locations of the workbench and runtime directories in the PATH variable of the workstation. The directory that appears earlier in the PATH takes precedence.

In most cases the workbench and runtime versions of the command are identical. However, if different levels of service pack have been applied to the workbench and runtime components, the updated commands might differ. For this reason, when either command is run the first line of the output describes which version of the command is being used. For example:

```
BIP1138I: Overriding BAR File using runtime mqsiapplybaroverride.
```

### mqsiapplybaroverride command

Use the mqsiapplybaroverride command to replace configurable values in the broker archive (BAR) deployment descriptor with new values that you specify in a properties file.

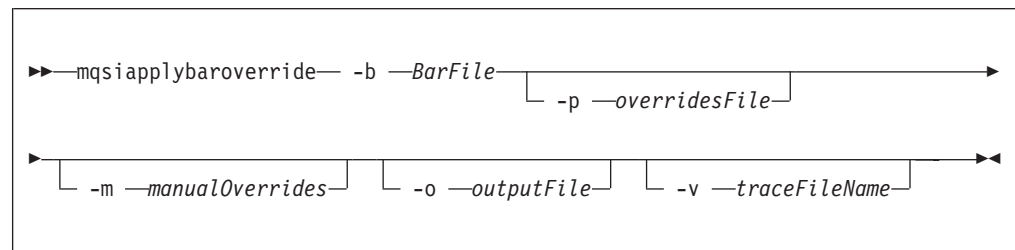
#### Supported platforms:

- Windows
- Linux and UNIX systems
- z/OS. Run this command by customizing and submitting BIPOBAR.

#### Purpose:

Write scripts to create broker archive files and apply different override values in the broker deployment descriptor archive file by using the mqsiapplybaroverride command, together with the mqsicreatebar command.

#### Syntax:



#### Parameters:

- | **-b** *BarFile*  
 | (Required) The path to the broker archive file (in compressed format) to which  
 | the override values apply. The path can be absolute or relative to the  
 | executable command.
- | **-p** *overridesFile*  
 | (Optional) The path to one of the following:
- | • A broker archive containing the deployment descriptor that is used to apply  
 | overrides to the BAR file.
  - | • A properties file in which each line contains a property-name=override or  
 | current-property-value=new-property-value pair.
  - | • A deployment descriptor that is used to apply overrides to the BAR file.
- | **-m** *manualOverrides*  
 | (Optional) A list of the property-name=override pairs, current-property-  
 | value=override pairs, or a combination of them, to be applied to the BAR file.  
 | The pairs in the list are separated by commas (.). On Windows, you must  
 | enclose the list in double quotes (" "). If used in conjunction with the  
 | overridesFile ( **-p**) parameter, overrides specified by the manualOverrides ( **-m**)  
 | parameter are performed after any overrides specified the **-p** parameter have  
 | been made.
- | **-o** *outputFile*  
 | (Optional) The name of the output BAR file to which the BAR file changes are  
 | to be made. If an output file is not specified, the input file is overwritten.
- | **-v** *traceFileName*  
 | (Optional) Specifies that the internal trace is to be sent to the named file.

| In all cases, any existing deployment descriptor in the BAR file is renamed to  
 | META-INF\broker.xml.old, replacing any existing file of that name.

| Each override that is specified in a **-p** overrides file or a **-m** overrides list must  
 | conform to one of the following syntaxes:

- | • FlowName#NodeName.PropertyName=NewPropertyValue (or  
 | FlowName#PropertyName=NewPropertyValue for message flow properties) where:
  - | – FlowName is the name of the Flow without any cmf extension (for example,  
 | Flow1)
  - | – NodeName is the optional name of the node whose property is overridden (for  
 | example, InputNode)
  - | – PropertyName is the name of the property being overridden (for example,  
 | queueName)
  - | – NewPropertyValue is the value to assign to that property (for example,  
 | PRODUCTION\_QUEUE\_NAME).
- | • OldPropertyValue=NewPropertyValue. This does a global search and replace on  
 | the property value OldPropertyValue. It overrides the value fields of  
 | OldPropertyValue in the deployment descriptor with NewPropertyValue.
- | • FlowName#NodeName.PropertyName (or FlowName#PropertyName for message flow  
 | properties). This removes any override applied to the property of the supplied  
 | name.

| When the mqsiapplybaroverride command runs, it displays the version of the  
 | command that is being used (either runtime or toolkit) before it does anything else.  
 | For example:

| BIP1138I: Overriding BAR File using runtime mqsiapplybaroverride

### Authorization:

On Windows Vista and Windows Server 2008 systems, the user ID used to run this command must be running with elevated privileges on the local system:

- The user ID must be a member of the group Administrators.
- The command must be started from an environment that has **Run as Administrator** authority.

If you do not run the command from a privileged environment, you are asked to confirm that you want to continue. When you click **OK**, a new privileged command console is created and the command completed, but all responses are written to the privileged environment and are lost when that console closes when the command completes.

On all platforms, the user ID used to invoke this command must have write authority to the BAR file on the local system.

### Responses:

This command returns the following responses:

- 0 (Success) The request completed successfully.
- 2 (Failure) The command failed.
- 99 The supplied parameters are not valid.

**Windows** This command is supplied as a batch file. If you run the command in an automation system or from a script, use the Windows CALL command, to ensure that the correct ERRORLEVEL is returned:

```
...  
CALL mqsiapplybaroverride  
...
```

### Examples:

Open the BAR file myflow.bar, and replace configurable values in its deployment descriptor (typically broker.xml) with those specified in the properties file mychanges.properties:

```
mqsiapplybaroverride -b myflow.bar -p mychanges.properties
```

Override the deployment descriptor in c:\test.bar using the key=value pairs specified in c:\my.properties:

```
mqsiapplybaroverride -b c:\test.bar -p c:\my.properties
```

Override the deployment descriptor in c:\test.bar using the deployment descriptor contained in c:\previous.bar:

```
mqsiapplybaroverride -b c:\test.bar -p c:\previous.bar
```

Override the deployment descriptor in c:\test.bar using the deployment descriptor contained in c:\broker.xml:

```
mqsiapplybaroverride -b c:\test.bar -p c:\broker.xml
```

Override any properties with values set to OLDA and OLDB in c:\test.bar with the values NEWA and NEWB respectively:

```
mqsiapplybaroverride -b c:\test.bar -o OLDA=NEWA:OLDB=NEWB
```

Override the value of the property name `sampleFlow#MQInput.queueName` to `NEWC`:

```
mqsipplybaroverride -b c:\test.bar -o sampleFlow#MQInput.queueName=NEWC
```

For an example of the details that are contained in a properties file, see [Editing configurable properties](#).

### **mqsireadbar command**

Use the `mqsireadbar` command to read a deployable BAR file and identify its defined keywords.

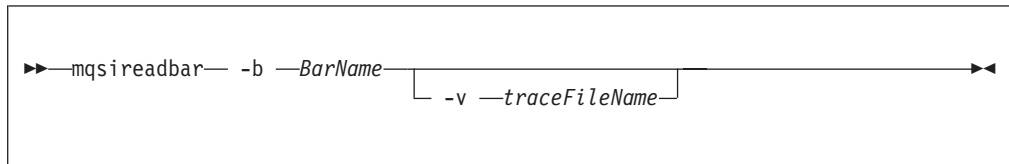
#### **Supported platforms:**

- Windows
- Linux and UNIX systems
- z/OS. Run this command by customizing and submitting BIPRBAR.

#### **Purpose:**

The `mqsireadbar` command returns the keywords defined for each deployable file within a deployable broker archive file.

#### **Syntax:**



#### **Parameters:**

**-b** *BarName*

(Required) The name of the BAR archive file to be read. The BAR file is in compressed format.

**-v** *traceFileName*

(Optional) The name of the file to which the command trace is sent. This option activates an internal debug trace; specify this option only at the request of an IBM service representative.

#### **Authorization:**

On Windows Vista and Windows Server 2008 systems, the user ID used to run this command must be running with elevated privileges on the local system:

- The user ID must be a member of the group Administrators.
- The command must be started from an environment that has **Run as Administrator** authority.

If you do not run the command from a privileged environment, you are asked to confirm that you want to continue. When you click **OK**, a new privileged command console is created and the command completed, but all responses are written to the privileged environment and are lost when that console closes when the command completes.

On all platforms, the user ID used to start this command must have the authority to read the BAR file on the local system.

### Responses:

This command returns the following responses:

- 0 (Success) Indicates that the request completed successfully.
- 2 (Failure) Indicates that the command failed.
- 99 Indicates that the supplied parameters are not valid.

The command displays the version of the command that is being run (either toolkit or runtime), before all other response data:

```
BIP1052I: Reading BAR File using runtime mqsireadbar
```

The command then displays a list of the deployable files, together with their keywords. For example:

```
C:\test.bar
  BAR Entry: simpleflow.cmf (07/10/07 10:43:44)
    Author = Matt
    VERSION = v1.1
    Information = This flow simply removes messages from IN.Q
```

It also displays any deployment descriptor and the list of any properties in the BAR file that can be overridden, together with the new values of any overrides that are currently applied. For example:

```
Deployment descriptor:
  simpleflow#additionalInstances
  simpleflow#commitCount
  simpleflow#commitInterval
  simpleflow#coordinatedTransaction
  simpleflow#MQInput.topicProperty
  simpleflow#MQInput.validateMaster
  simpleflow#MQInput.queueName = OVERRIDDEN.Q
  simpleflow#MQInput.serializationToken
```

**Windows** This command is supplied as a batch file. If you run the command in an automation system or from a script, use the Windows CALL command to ensure that the correct ERRORLEVEL is returned:

```
...
CALL mqsireadbar
...
```

### Examples:

The following example reads the file `my_bar_file.bar` and returns defined keywords within the given file:

```
mqsireadbar -b my_bar_file.bar
```

## WebSphere Message Broker workbench commands

This topic is a container for the commands that are part of the WebSphere Message Broker workbench.

These commands are available only on a machine that has the workbench installed.

See “Commands” on page 365 for a list of all the WebSphere Message Broker commands.

## mqsicreatebar command

Use the mqsicreatebar command to create deployable broker archive files containing message flows and dictionaries.

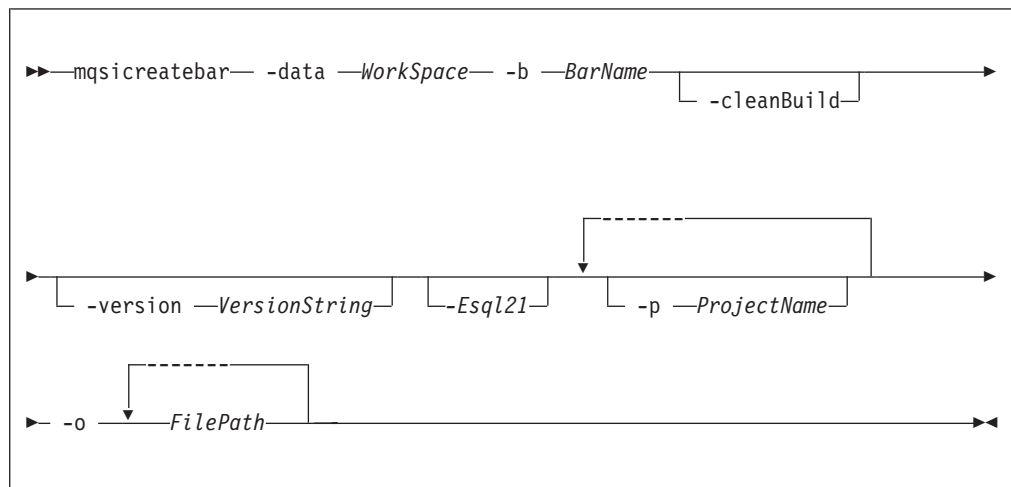
### Supported platforms:

- Windows
- Linux on x86

### Purpose:

If you choose to use a repository to store your message flows and dictionaries, you can write scripts to deploy the message flow applications using the mqsicreatebar command and the repository’s command line tools.

### Syntax:



### Parameters:

#### **-data** *Workspace*

(Required) The path of the workspace in which your projects are created.

The workspace location is also the default location for projects. Relative paths are interpreted as being relative to the directory from which the command was started.

#### **-b** *BarName*

(Required) The name of the BAR (compressed file format) archive file where the result is stored. The BAR file is replaced if it already exists and the META-INF/broker.xml file is created.

#### **-cleanBuild**

(Optional) Refreshes the projects in the workspace and then invokes a clean build before new items are added to the broker archive.

Use the **-cleanBuild** parameter to refresh all the projects in the broker archive and invoke a clean build if amendments have been made to broker-archive resources using external tools.

**-version** *VersionString*

(Optional) Appends the \_ (underscore) character and the value of *VersionString* to the names of the objects added to the BAR file, before the file extension.

**-Esq121**

(Optional) Compile ESQL for brokers at Version 2.1 of the product.

**-p** *ProjectName*

(Optional) Projects containing files to include in the BAR file. You can specify multiple projects, which can include a message flow project, a message set project, or a message flow user-defined node project.

If a project that you specify is not currently part of your workspace, the command links the project to the workspace so that the files in the project can be included in the BAR file. The command does not copy the files into your workspace directory.

If a project that you specify is part of your workspace but is currently closed, the command opens and builds the project so that the files in the project can be included in the BAR file.

**-o** *FilePath*

(Required) The workspace relative path (including the project) of a msgflow or messageSet.mset file to add to the broker archive file.

You can add more than one deployable file to this command by using the following format: **-o** *FilePath1* *FilePath2* .... *FilePath'n'*

#### **Authorization:**

On Windows XP and Windows Server 2003 systems, the user ID used to run this command must be a member of the group Administrators on the local system.

On Windows Vista and Windows Server 2008 systems, the user ID used to run this command must be running with elevated privileges on the local system:

- The user ID must be a member of the group Administrators.
- The command must be started from an environment that has **Run as Administrator** authority.

If you do not run the command from a privileged environment, you are asked to confirm that you want to continue. When you click **OK**, a new privileged command console is created and the command completed, but all responses are written to the privileged environment and are lost when that console closes when the command completes.

On Linux on x86, the user ID must have write access to the **-data** (workspace) and **-b** (BAR file location) directories.

#### **Responses:**

This command returns the following responses:

- BIP0956 Unable to start mqsicreatebar
- BIP0957 Incorrect arguments supplied to mqsicreatebar
- BIP0958 Nothing to do in mqsicreatebar
- BIP0959 Incorrect arguments supplied to mqsicreatebar (Project name)
- BIP0960 Incorrect arguments supplied to mqsicreatebar (Project directory)
- BIP0961 Error opening workspace in mqsicreatebar (Project could not be created)

- BIP0962 Error opening workspace in mqsicreatebar (Project could not be opened)
- BIP0963 Error saving file in mqsicreatebar
- BIP0964 Incorrect "-o" argument supplied to mqsicreatebar
- BIP0965 Error compiling files in mqsicreatebar

### Examples:

| You must run the command from the eclipse directory. The default location of the  
 | eclipse directory is C:\Program Files\IBM\WMBT610\eclipse on Windows 32-bit  
 | editions or C:\Program Files(x86)\IBM\WMBT610\eclipse on Windows 64-bit  
 | editions: on Linux on x86 it is /opt/IBM/WMBT610/eclipse.

The following example creates a BAR file called myflow.bar in the workspace at C:\Workspace. The Test.msgflow message flow from the TestFlowProject is added to the BAR file:

```
mqsicreatebar -data C:\Workspace -b myflow.bar -p TestFlowProject -o TestFlowProject\TestFlow\Test.msgflow
```

The following example creates a BAR file called mySet.bar in the workspace at C:\Workspace. The messageSet.mset message set from the TestSetProject is added to the BAR file:

```
mqsicreatebar -data C:\Workspace -b mySet.bar -o TestSetProject\TestSet\messageSet.mset
```

The following example creates a BAR file called mySet.bar in the workspace at C:\Workspace. The messageSet.mset message set from the TestSetProject and Test.msgflow message flow from the TestFlowProject are added to the BAR file:

```
mqsicreatebar -data C:\Workspace -b mySet.bar -o TestFlowProject\TestFlow\Test.msgflow  
TestSetProject\TestSet\messageSet.mset
```

## mqsicreatemsgdefs command

Use the mqsicreatemsgdefs command to create message definition files.

### Supported platforms:

- Windows
- Linux on x86

### Purpose:

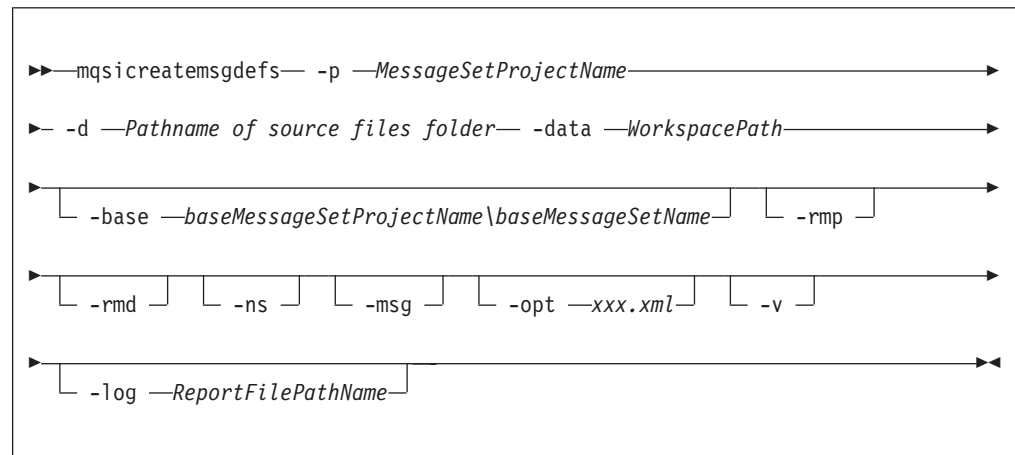
The mqsicreatemsgdefs command generates message definition files (\*.mxsd), according to a set of import options that are specified in an option file. The generated files are placed in the specified message set folder.

The command takes as a parameter a directory where source files of various types, for example, C and COBOL source files, are located (in addition to various other parameters), and starts the appropriate operation based on the extensions to the files.

1. Ensure that only the files that are required for the command to run exist in the directory and subdirectory structure that you specify. One of the actions that the mqsicreatemsgdefs command performs is to copy all the files in the directory and subdirectories into the workspace, before creating the message definition. Files that are not related to the message definitions that you are trying to create might also be copied.
2. You must specify the **-data** *WorkspacePath* parameter to specify the target workspace.



## Syntax:



## Parameters:

- p** *MessageSetProjectName*  
(Required) The name of the message set project. If the project does not exist, a new message set project is created.
- d** *Pathname of source files folder*  
(Required) The absolute or relative path name of the directory of definition files (source files).  
  
All relevant files that are located in any sub-folders under the source files folder are scanned and imported.
- data** *WorkspacePath*  
(Required) The path of the workspace in which your projects are created.  
  
The workspace location is also the default location for projects. Relative paths are interpreted as being relative to the directory from which the command was started.
- base** *baseMessageSetProjectName\baseMessageSetName*  
(Optional) If a new message set is to be created, specifies the existing message set project and message set, on which it is based.
- rmp**  
(Optional) Replaces the existing project of the same name.
- rmd**  
(Optional) Replaces an existing message definition file of the same name.
  1. If you omit this flag, and a message definition file of the same name exists, a warning is returned.
  2. The location of the generated message definition file in the message set is determined by the target namespace.
- ns**  
(Optional) If a new message set is to be created, the message set is enabled for namespace support.
- msg**  
(Optional) Creates messages from complex imported structures.

**-opt** *xxx.xml*

(Optional) The absolute or relative path name of the options file. The options file can be one of the following types:

- **C language** - “C options file for the `mqsicreatemsgdefs` command”
- **COBOL language** - “COBOL options file for the `mqsicreatemsgdefs` command” on page 388
- **XSD\_NO\_NS** - “XSD options file for the `mqsicreatemsgdefs` command” on page 389

If you do not specify an option, the default options file (`mqsicreatemsgdefs.xml`) is used; see “Default options file for the `mqsicreatemsgdefs` command” on page 391.

You can copy the default options file, and customize it, to create an options file for your environment.

**-v** (Optional) Verbose report.

**-log** *ReportFilePathname*

(Optional) Absolute or relative path name of the report file. If you omit this option, the report is written to the default log file (`mqsicreatemsgdefs.report.txt`) in the Eclipse current directory.

If you specify `-log` without the report file path name, or with a path name that is not valid, the command issues an error message and stops.

#### **Authorization:**

On Windows Vista and Windows Server 2008 systems, the user ID used to run this command must be running with elevated privileges on the local system:

- The user ID must be a member of the group Administrators.
- The command must be started from an environment that has **Run as Administrator** authority.

If you do not run the command from a privileged environment, you are asked to confirm that you want to continue. When you click **OK**, a new privileged command console is created and the command completed, but all responses are written to the privileged environment and are lost when that console closes when the command completes.

On other platforms, no specific authority is required to run this command.

#### **Examples:**

The following example creates or uses the message set project `newproject` in the source file `c:\myproject\source` and replaces the existing message project and message definition files of the same name.

```
mqsicreatemsgdefs -p newproject -d c:\myproject\source -rmp -rmd
```

#### **C options file for the `mqsicreatemsgdefs` command:**

Specify the options for the `mqsicreatemsgdefs` command when you import a C header file.

The following table lists the elements in the C language section of the options file. The following restrictions apply:

- You must specify, in an XML file, a valid value for the options listed, unless otherwise specified. See “Default options file for the mqsicreatemsgdefs command” on page 391 for details of the syntax.
- Values of options are case-sensitive.
- If you do not specify the *-opt* parameter on the mqsicreatemsgdefs command, the default options file called mqsicreatemsgdefs.xml is used; see “Default options file for the mqsicreatemsgdefs command” on page 391.

For further information on using these options, see Importing from C.

<C> element	Possible values
COMPILER_NAME <sup>1</sup>	<ul style="list-style-type: none"> <li>• Msvc (Default)</li> <li>• Icc</li> <li>• AIXgcc</li> <li>• AIXxlc</li> <li>• OS390</li> </ul>
CODEPAGE	<ul style="list-style-type: none"> <li>• SO8859-1</li> <li>• Cp037</li> <li>• Cp1252 (Default)</li> </ul>
FLOATING_POINT_FORMAT	<ul style="list-style-type: none"> <li>• IEEE Extended INTEL (Default)</li> <li>• IEEE Extended AIX</li> <li>• IEEE Extended OS/390</li> <li>• IEEE Non-Extended</li> <li>• IBM 390 Hexadecimal</li> </ul>
INCLUDE_PATH <sup>2</sup>	Absolute path names of other header files, or an empty string (this is the default value).
BYTE_ORDER	<ul style="list-style-type: none"> <li>• Little Endian (Default)</li> <li>• Big Endian</li> </ul>
ADDRESS_SIZE	<ul style="list-style-type: none"> <li>• 32 (Default)</li> <li>• 64</li> </ul>
SIZE_OF_LONG_DOUBLE	<ul style="list-style-type: none"> <li>• 64 (Default)</li> <li>• 128 (Not supported)</li> </ul>
PACK_LEVEL <sup>1</sup>	<ul style="list-style-type: none"> <li>• 1</li> <li>• 2</li> <li>• 4</li> <li>• 8 (Default)</li> <li>• 16</li> </ul>
SIZE_OF_ENUM	<ul style="list-style-type: none"> <li>• 1</li> <li>• 2</li> <li>• 4</li> <li>• 5 (Default)</li> </ul>
PRESERVE_CASE_IN_VARIABLE_NAMES	<ul style="list-style-type: none"> <li>• True (Default)</li> <li>• False</li> </ul>
STRING_ENCODING	<ul style="list-style-type: none"> <li>• SPACE - Fixed-length strings (Default)</li> <li>• NULL - Null-terminated strings</li> </ul>

<C> element	Possible values
STRING_PADDING_CHARACTER	<ul style="list-style-type: none"> <li>• SPACE (Default)</li> <li>• NUL</li> <li>• 'c'</li> <li>• "c"</li> <li>• 0xYY</li> <li>• YY</li> <li>• U+xxxx</li> </ul>
SCHEMA_TARGET_NAMESPACE_URI	A valid namespace URI, or empty (default)
MESSAGE_PREFIX <sup>3</sup>	A string with which to prefix created messages, or empty. Default is msg_.
PRE_PROCESSING_OPTION	<ul style="list-style-type: none"> <li>• none (default)</li> <li>• ale_idoc</li> <li>• file_idoc</li> </ul>

**Notes:**

1. If COMPILER\_NAME is set to AIXxlC, the value of PACK\_LEVEL is not used.
2. In INCLUDE\_PATH, separate paths by the system-dependent path separator character.
3. MESSAGE\_PREFIX is ignored if PRE\_PROCESSING\_OPTION is ale\_idoc or file\_idoc.

**COBOL options file for the mqsicreatemsgdefs command:**

Specify the options for the mqsicreatemsgdefs command when you import a COBOL copybook.

The following table lists the elements in the COBOL language section of the options file. The following restrictions apply:

- You must specify in an XML file a valid value for the options listed, unless otherwise specified. See "Default options file for the mqsicreatemsgdefs command" on page 391 for details of the syntax.
- Options values are case-sensitive.
- If you do not specify the *-opt* parameter on the mqsicreatemsgdefs command, the default options file (mqsicreatemsgdefs.xml) is used; see "Default options file for the mqsicreatemsgdefs command" on page 391.

For further information about using these options, see Importing from COBOL copybooks.

<COBOL> element	Possible values
PLATFORM_SELECTION	<ul style="list-style-type: none"> <li>• 0 (Win32) (Default)</li> <li>• 1 (AIX)</li> <li>• 2 (z/OS)</li> </ul>
CODEPAGE	<ul style="list-style-type: none"> <li>• ISO8859_1 (Default)</li> <li>• 037</li> </ul>

<COBOL> element	Possible values
FLOATING_POINT_FORMAT	<ul style="list-style-type: none"> <li>• IEEE Non-Extended (Default)</li> <li>• IBM 390 Hexadecimal</li> </ul>
ENDIAN	<ul style="list-style-type: none"> <li>• Big</li> <li>• Little (Default)</li> </ul>
EXT_DECIMAL_SIGN	<ul style="list-style-type: none"> <li>• ASCII (Default)</li> <li>• EBCDIC</li> <li>• EBCDIC Custom</li> </ul>
TRUNC	<ul style="list-style-type: none"> <li>• STD (Default)</li> <li>• OPT</li> <li>• BIN</li> </ul>
NSYMBOL	<ul style="list-style-type: none"> <li>• DBCS</li> <li>• NATIONAL (Default)</li> </ul>
QUOTE	<ul style="list-style-type: none"> <li>• SINGLE</li> <li>• DOUBLE (Default)</li> </ul>
CREATE_DEFAULT_VALUES FROM_INITIAL_VALUES	<ul style="list-style-type: none"> <li>• True</li> <li>• False (Default)</li> </ul>
CREATE_FACETS_FROM LEVEL_88_VALUE_CLAUSES	<ul style="list-style-type: none"> <li>• True</li> <li>• False (Default)</li> </ul>
PRESERVE_CASE_IN VARIABLE_NAMES	<ul style="list-style-type: none"> <li>• True (Default)</li> <li>• False</li> </ul>
CREATE_NULL_VALUES_FOR_FIELDS	<ul style="list-style-type: none"> <li>• True</li> <li>• False (Default)</li> </ul>
NULL_CHARACTER	<ul style="list-style-type: none"> <li>• SPACE (Default)</li> <li>• NUL</li> <li>• 'c'</li> <li>• "c"</li> <li>• 0xYY</li> <li>• YY</li> <li>• U+xxxx</li> </ul>
STRING_PADDING_CHARACTER	<ul style="list-style-type: none"> <li>• SPACE (Default)</li> <li>• NUL</li> <li>• 'c'</li> <li>• "c"</li> <li>• 0xYY</li> <li>• YY</li> <li>• U+xxxx</li> </ul>
SCHEMA_TARGET_NAMESPACE_URI	A valid namespace URI, or empty (default)
MESSAGE_PREFIX	A string with which to prefix created messages, or empty. Default is msg_.

**XSD options file for the mqsicreatemsgdefs command:**

Specify the options for the `mqsicreatemsgdefs` command when you import an XML Schema file.

The following tables list the elements in the XML Schema sections of the options file.

The first table applies to all message sets, but the second table applies only to message sets that do not support namespaces. The following restrictions apply:

- You must specify in an XML file a valid value for each of the options listed, unless otherwise specified.
- Options values are case-sensitive.
- If you do not specify the `-opt` parameter on the `mqsicreatemsgdefs` command, the default options file (`mqsicreatemsgdefs.xml`) is used; see “Default options file for the `mqsicreatemsgdefs` command” on page 391.

For further information about using these options, see Importing from XML Schema.

<XSD> element	Possible values
MSG	<ul style="list-style-type: none"> <li>• elements (default)</li> <li>• types</li> <li>• both</li> </ul>

<XSD_NO_NS> element	Possible values
IMPORT	<ul style="list-style-type: none"> <li>• modify (default)</li> <li>• reject</li> </ul>
REDEFINE	<ul style="list-style-type: none"> <li>• modify (default)</li> <li>• reject</li> <li>• accept</li> </ul>
LIST	<ul style="list-style-type: none"> <li>• modify (default)</li> <li>• reject</li> <li>• accept</li> </ul>
UNION	<ul style="list-style-type: none"> <li>• modify (default)</li> <li>• reject</li> <li>• accept</li> </ul>
ABSTRACT_CT	<ul style="list-style-type: none"> <li>• modify (default)</li> <li>• reject</li> <li>• accept</li> </ul>
ABSTRACT_ELEMENT	<ul style="list-style-type: none"> <li>• modify (default)</li> <li>• reject</li> <li>• accept</li> </ul>
XSD_PREFIX	<ul style="list-style-type: none"> <li>• xsi (default)</li> <li>• &lt;any other prefix&gt;</li> </ul>
URI_PREFIX_PAIRS <b>Note:</b> You can specify zero, or more URI_PREFIX_PAIRS elements.	Attribute pair <ul style="list-style-type: none"> <li>• uri=&lt;uri_value&gt;</li> <li>• prefix=&lt;prefix_value&gt;</li> </ul>

## Default options file for the mqsicreatemsgdefs command:

Options for the mqsicreatemsgdefs command take default values if you do not specify an options file.

The following text lists the supplied default options file used with the mqsicreatemsgdefs command.

If you want to make any changes to the default file contents, the file is stored in the package group directory structure at %PACKAGE\_GROUP\_LOCATION%\plugins\com.ibm.etools.msg.importer.cmdline\_%VERSION%\mqsicreatemsgdefs.xml. For example, if you have installed into the default location on Windows XP, the file is stored at C:\Program Files\IBM\SDP70Shared\plugins\com.ibm.etools.msg.importer.cmdline\_build\_version\mqsicreatemsgdefs.xml. *build\_version* is the exact build version of the installed component; for example, 6.1.100.200803031447.

```
<?xml version="1.0" encoding="UTF-8"?>
<OPTIONS>
<!-- Message Definition File Import Options -->
<!-- Import Options for C -->
  <C>
    <!-- COMPILER_NAME = (Msvc|icc|AIXgcc|AIXxlC|OS390) -->
    <COMPILER_NAME>Msvc</COMPILER_NAME>
    <!-- CODEPAGE = (ISO8859-1|Cp037|Cp1252) -->
    <CODEPAGE>Cp1252</CODEPAGE>
    <!-- FLOATING_POINT_FORMAT = (IEEE Extended INTEL|
      IEEE Extended AIX|IEEE Extended OS/390|
      IEEE Non-Extended|IBM 390 Hexadecimal) -->
    <FLOATING_POINT_FORMAT>IEEE Extended INTEL</FLOATING_POINT_FORMAT>
    <!-- BYTE_ORDER = (Little Endian|Big Endian) -->
    <BYTE_ORDER>Little Endian</BYTE_ORDER>
    <!-- ADDRESS_SIZE = (32|64) -->
    <ADDRESS_SIZE>32</ADDRESS_SIZE>
    <!-- SIZE_OF_LONG_DOUBLE = (64|128) -->
    <!-- NOTE: 128 is not supported; therefore 64 is always the value -->
    <SIZE_OF_LONG_DOUBLE>64</SIZE_OF_LONG_DOUBLE>
    <!-- PACK_LEVEL = (1|2|4|8|16) -->
    <PACK_LEVEL>8</PACK_LEVEL>
    <!-- SIZE_OF_ENUM = (1|2|4|5) -->
    <SIZE_OF_ENUM>5</SIZE_OF_ENUM>
    <!-- STRING_ENCODING = SPACE | NULL) -->
    <!-- NOTE: SPACE = Fixed length strings, NULL = Null terminated strings -->
    <STRING_ENCODING>SPACE</STRING_ENCODING>
    <!-- STRING_PADDING_CHARACTER = (SPACE|NUL|'c'|"c"|0xYY|YY|U+xxxx)-->
    <!-- Note: Only used for Fixed Length strings -->
    <STRING_PADDING_CHARACTER>SPACE</STRING_PADDING_CHARACTER>
    <!-- PRESERVE_CASE_IN_VARIABLE_NAMES = (true|false) -->
    <PRESERVE_CASE_IN_VARIABLE_NAMES>true</PRESERVE_CASE_IN_VARIABLE_NAMES>
    <!-- INCLUDE_PATH = absolute paths to other include files -->
    <!-- Paths should be separated by the system-dependent path-separator character.
      On UNIX systems, this character is ':'; on Win32 systems it is ';' -->
    <INCLUDE_PATH />
    <!-- SCHEMA_TARGET_NAMESPACE_URI = (... any valid namespace URI or empty) -->
    <SCHEMA_TARGET_NAMESPACE_URI/>
    <!-- MESSAGE_PREFIX = (msg_ ... any string including empty string) -->
    <MESSAGE_PREFIX>msg</MESSAGE_PREFIX>
    <!-- PRE_PROCESSING_OPTION = (none|ale idoc|file idoc) -->
    <PRE_PROCESSING_OPTION>none</PRE_PROCESSING_OPTION>
  </C>
<!-- Import Options for COBOL -->
  <COBOL>
    <!-- PLATFORM_SELECTION = (0:"Win32"|1:"AIX"|2:"z/OS") -->
    <PLATFORM_SELECTION>Win32</PLATFORM_SELECTION>
    <!-- CODEPAGE = (ISO8859_1|037) -->
```

```

<CODEPAGE>ISO8859_1</CODEPAGE>
<!-- FLOATING_POINT_FORMAT = (IEEE Non-Extended|IBM 390 Hexadecimal) -->
<FLOATING_POINT_FORMAT>IEEE Non-Extended</FLOATING_POINT_FORMAT>
<!-- ENDIAN = (Big|Little) -->
<ENDIAN>Little</ENDIAN>
<!-- EXT_DECIMAL_SIGN = (ASCII|EBCDIC|EBCDIC Custom) -->
<EXT_DECIMAL_SIGN>ASCII</EXT_DECIMAL_SIGN>
<!-- TRUNC = (STD|OPT|BIN) -->
<TRUNC>STD</TRUNC>
<!-- NSYMBOL = (DBCS|NATIONAL) -->
<NSYMBOL>NATIONAL</NSYMBOL>
<!-- QUOTE = (SINGLE|DOUBLE) -->
<QUOTE>DOUBLE</QUOTE>
<!-- CREATE_DEFAULT_VALUES_FROM_INITIAL_VALUES = (true|false) -->
<CREATE_DEFAULT_VALUES_FROM_INITIAL_VALUES>>false</CREATE_DEFAULT_
VALUES_FROM_INITIAL_VALUES>
<!-- CREATE_FACETS_FROM_LEVEL_88_VALUE_CLAUSES = (true|false) -->
<CREATE_FACETS_FROM_LEVEL_88_VALUE_CLAUSES>>false</CREATE_FACETS_
FROM_LEVEL_88_VALUE_CLAUSES>
<!-- PRESERVE_CASE_IN_VARIABLE_NAMES = (true|false) -->
<PRESERVE_CASE_IN_VARIABLE_NAMES>>true</PRESERVE_CASE_IN_VARIABLE_NAMES>
<!-- CREATE_NULL_VALUES_FOR_FIELDS = (true|false) -->
<CREATE_NULL_VALUES_FOR_FIELDS>>false</CREATE_NULL_VALUES_FOR_FIELDS>
<!-- NULL_CHARACTER = (SPACE|NUL|'c'|"c"|0xYY|YY|U+xxxx)-->
<NULL_CHARACTER>SPACE</NULL_CHARACTER>
<!-- STRING_PADDING_CHARACTER = (SPACE|NUL|'c'|"c"|0xYY|YY|U+xxxx)-->
<!-- Note: Only used for Fixed Length strings -->
<STRING_PADDING_CHARACTER>SPACE</STRING_PADDING_CHARACTER>
<!-- SCHEMA_TARGET_NAMESPACE_URI = (... any valid namespace URI or empty) -->
<SCHEMA_TARGET_NAMESPACE_URI/>
<!-- MESSAGE_PREFIX = (msg_ ... any string including empty string) -->
<MESSAGE_PREFIX>msg_</MESSAGE_PREFIX>
</COBOL>
<!-- Import Options for XML Schema in general -->
<XSD>
  <!-- MSG = (elements|types|both) -->
  <!-- Create messages from imported complex global elements, -->
  <!-- or from imported global complex types, or both -->
  <MSG>elements</MSG>
</XSD>
<!-- Import Options for XML Schema when importing into a message set
that does NOT support namespaces -->
<XSD_NO_NS>
  <!-- IMPORT = (modify|reject|accept) -->
  <IMPORT>modify</IMPORT>
  <!-- REDEFINE = (modify|reject|accept) -->
  <REDEFINE>modify</REDEFINE>
  <!-- LIST = (modify|reject|accept) -->
  <LIST>modify</LIST>
  <!-- UNION = (modify|reject|accept) -->
  <UNION>modify</UNION>
  <!-- ABSTRACT_CT = (modify|reject|accept) -->
  <ABSTRACT_CT>modify</ABSTRACT_CT>
  <!-- ABSTRACT_ELEMENT = (modify|reject|accept) -->
  <ABSTRACT_ELEMENT>modify</ABSTRACT_ELEMENT>
  <!-- XSD_PREFIX = (xsi|... any other prefix) -->
  <XSD_PREFIX>xsi</XSD_PREFIX>
  <!-- This is where you list the additional uri/prefix pairs. -->
  <!-- URI prefix pairs can be listed as follows: -->
  <!-- <URI_PREFIX_PAIRS uri="http://www.ibm.com" prefix="ibm" /> -->
  <!-- <URI_PREFIX_PAIRS uri="http://www.eclipse.org" prefix="eclipse"/> -->
</XSD_NO_NS>
</OPTIONS>

```



## mqsicreatemsgdefsfromwsdl command

Use the `mqsicreatemsgdefsfromwsdl` command to import a single WSDL definition.

### Supported platforms:

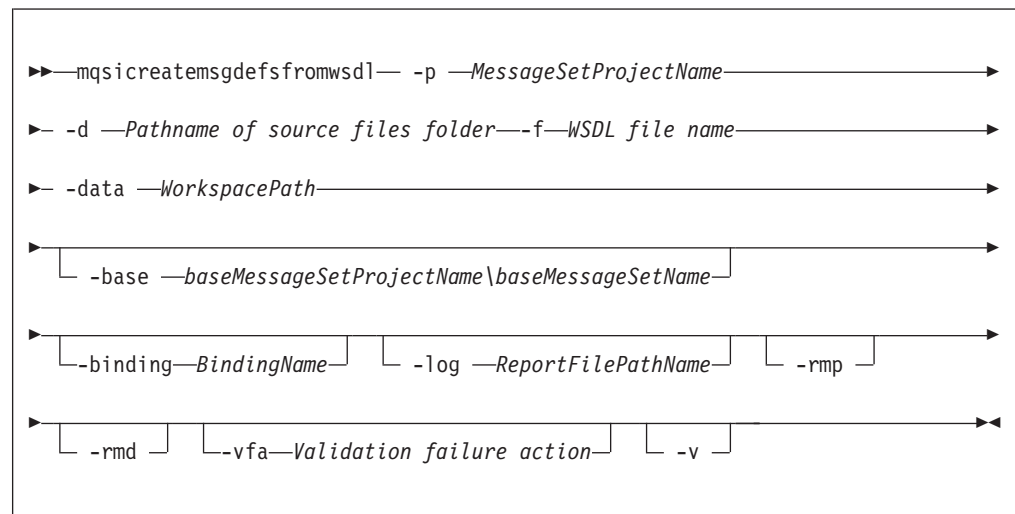
- Windows
- Linux on x86

### Purpose:

If the WSDL is split into multiple files then the file specified must contain the WSDL service definition or binding definition. The WS-I validator can be run automatically on the imported WSDL under the control of the `-vfa` flag.

1. Ensure that only the files that are required for the WSDL definition you are importing exist in the directory and subdirectory structure. One of the actions the `mqsicreatemsgdefsfromwsdl` command performs is to copy all the files in the directory and subdirectories into the workspace prior to creating the message definition. Files that are not associated to that WSDL definition but exist in the directory are also copied.
2. If the WSDL definition uses a relative path that includes files outside of the directory or subdirectory structure specified, you must import these files into the workspace before you run the command. Make sure that the relative paths are still valid after importing these files into the workspace.
3. Message sets that are created are namespace enabled.
4. Existing message sets must be namespace enabled and have an XML physical format.
5. If you are creating a new message set for runtime parsing, you should base it on an existing message set which has an XML physical format.

### Syntax:



### Parameters:

**-p** *MessageSetProjectName*

(Required) The name of the message set project. If the project exists, it must be namespace-enabled. If the project does not exist, a new namespace-enabled project is created.

- base** *baseMessageSetProjectName\baseMessageSetName*  
 (Optional) If a new message set is to be created, specify the existing message set project and message set on which it is based
- binding** *BindingName*  
 (Optional) The name of a binding to be imported. This parameter is mandatory if the WSDL definition includes more than one binding, but optional if the WSDL definition includes a single binding
- d** *Pathname of source files folder*  
 (Required) The absolute or relative path name of the directory where the top-level WSDL file is located. The top-level WSDL file may contain the entire WSDL definition, or it may be the top of a hierarchy of files, each of which may import further files via import elements. An import element specifies the location of the resource to import with a location attribute
- The importer attempts to resolve all relative import locations relative to the specified directory; the importer also attempts to resolve any absolute import locations that it encounters. However, avoid using absolute import locations, because any further imports in the hierarchy must use absolute locations after the first time you specify an absolute location.
- data** *WorkspacePath*  
 (Required) The path of the workspace in which your projects are created.
- The workspace location is also the default location for projects. Relative paths are interpreted as being relative to the directory from which the command was started.
- f** *<WSDL file name>*  
 (Required) The file name of the top-level WSDL file to be imported.
- Where a path is required to fully identify the filename, the path should be specified using the **-d** parameter.
- log** *ReportFilePathName*  
 (Optional) Absolute or relative path name of the report file; if omitted, the report is written to the default log file and is named *WSDL-file-name.wSDL.report.txt*. *WSDL-file-name* is the name of the WSDL definition you are importing and it is placed in the directory from which the command is invoked.
- rmd**  
 (Optional) Replaces an existing message definition file of the same name.
- Note:**
1. If you omit this flag, and a message definition file of the same name exists, a warning is returned.
  2. The location of the generated message definition file in the message set is determined by the target namespace.
- rmp**  
 (Optional) Replaces the existing project of the same name.
- v** (Optional) Verbose report.
- vfa**  
 (Optional) Validation failure action. Specifies the required action if WS-I compliance checking detects a problem in the WSDL to be imported. The default is set to fail. Select from:

- fail: If the WSDL definition is not WS-I compliant, the import process stops, and errors are written to the log file.
- warn: If the WSDL definition is not WS-I compliant, the import process writes warning errors to the log file.
- ignore: If the WSDL definition is not WS-I compliant, the import process ignores them and informational messages of how this WSDL definition is not compliant to the WS-I profile are written to the logfile.

**Authorization:**

| On Windows Vista and Windows Server 2008 systems, the user ID used to run this  
| command must be running with elevated privileges on the local system:

- | • The user ID must be a member of the group Administrators.
- | • The command must be started from an environment that has **Run as Administrator** authority.

If you do not run the command from a privileged environment, you are asked to confirm that you want to continue. When you click **OK**, a new privileged command console is created and the command completed, but all responses are written to the privileged environment and are lost when that console closes when the command completes.

On other platforms, no specific authority is required to run this command.

**Examples:**

In the following example, the WSDL document service.wsdl which exists in the directory wsdlfiles, is to be imported into the project myProject and overwrite the project if it exists.

```
mqsicreatemsgdefsfromwsdl -p myProject -d .\wsdlfiles -f service.wsdl -rmd -data .\wsdlfilewspc
```

In the following example, the WSDL document service.wsdl which exists in the directory wsdlfiles, is to be imported to create a new message set project (newProj) based on an existing project (existingProj).

```
mqsicreatemsgdefsfromwsdl -p newProj -base existingProj -d .\wsdlfiles -f service.wsdl -data .\wsdlfilewspc
```

**mqsimigratemfmaps command**

Use the mqsimigratemfmaps command to migrate resources to WebSphere Message Broker Version 6.1 from WebSphere Business Integration Message Broker Version 5.0

**Supported platforms:**

- Windows
- Linux on x86

**Purpose:**

The mqsimigratemfmaps command migrates mapping and database definitions to Version 6.1:

- Create .msgmap files in Version 6.1 format, based on existing Version 5.0 .mfmap files.
- Create .dbm files in Version 6.1 format, based on existing Version 5.0 .xmi files.

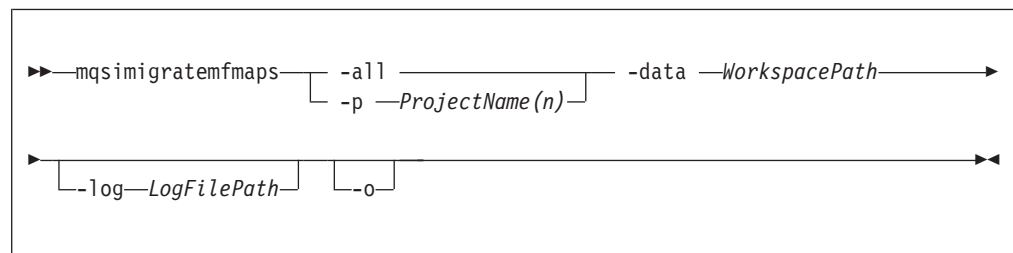
This command is valid only for migration of Version 5.0 resources. You do not need to migrate Version 6.0 maps, which are compatible with Version 6.1. If you have data definitions in your Version 6.0 projects, you must migrate these in the workbench; you cannot use this command.

When the command has completed:

1. The .xmi files are deleted from the workspace. If you want to retain these files, you must back up these resources before you migrate them.
2. The .mfmap files are left in the workspace, therefore you can run mapping migration again.
3. The .mfmap files are not included in builds and are not recognized as valid development resources. They are present in the workspace as simple text files and you can delete them at your own discretion. The Version 5.0 map editor is no longer available in Version 6.1; you can view the contents of the .mfmap files only with a text editor.
4. When the .mfmap files have been migrated, you can edit the .msgmap files in the mapping editor.

The command executable file is located in the package group installation directory; the default location is /opt/IBM/WMBT610 on Linux on x86, C:\Program Files\IBM\WMBT610 on Windows 32-bit editions, and C:\Program Files(x86)\IBM\WMBT610 on Windows 64-bit editions.

#### Syntax:



#### Parameters:

##### -all

(Required) All project names in the workspace are checked and migrated.

You must specify only one of all or p.

##### -p *ProjectName(n)*

(Required) The specific project name, or names, in the workspace to be checked and migrated.

You must specify only one of all or p.

##### -data *WorkspacePath*

(Required) The path of the workspace in which your projects are created.

The workspace location is also the default location for projects. Relative paths are interpreted as being relative to the directory from which the command was started.

##### -log *Logfilepath*

(Optional) Alternative report file path.

If you do not specify an alternative path, this command generates a detailed migration log in the folder from which you ran the command. The log file has

the default name of `mqsimigratemfmaps.report.txt`. If the file already exists, new information is appended to the existing content.

- o (Optional) Overwrite files that already exist.

This parameter is valid only for mapping files. It is ignored for data definition files.

#### Authorization:

On Windows Vista and Windows Server 2008 systems, the user ID used to run this command must be running with elevated privileges on the local system:

- The user ID must be a member of the group Administrators.
- The command must be started from an environment that has **Run as Administrator** authority.

If you do not run the command from a privileged environment, you are asked to confirm that you want to continue. When you click **OK**, a new privileged command console is created and the command completed, but all responses are written to the privileged environment and are lost when that console closes when the command completes.

On other platforms, no specific authority is required to run this command.

#### Examples:

The following example migrates the sample project in the `c:\wmqi\test` directory.

```
mqsimigratemfmaps -p sample -data c:\wmqi\test
```

The following example migrates all the mapping definitions that are defined in the project `MyFlowProject`. It also migrates the database definitions in the project and creates a new data design project named `MyFlowProject_DDP`. If you have defined duplicate database definitions in this project, each duplicate definition is created in a new data design project named `MyFlowProject_DDP2`, `MyFlowProject_DDP3`, and so on. The migration process is recorded in the log file `c:\temp\migration.log`.

```
mqsimigratemfmaps -p MyFlowProject -data c:\mbtk\workspace -log c:\temp\migration.log
```

The following example migrates the mappings that you have defined in all the projects in the directory `c:\mbtk\workspace`. If any of the projects contain data definitions, these are also migrated. New data design projects are created with names that are based on the project name, as shown in the previous example. The **-log** parameter is not specified, therefore the log file `mqsimigratemfmaps.report.txt` is created in the directory from which the command is started.

```
mqsimigratemfmaps -all -data c:\mbtk\workspace
```

## Runtime commands

This topic is a container for the runtime commands of WebSphere Message Broker.

These commands are available on a machine where any of the runtime components are installed

See “Commands” on page 365 for a list of all the WebSphere Message Broker commands.

## mqsibackupconfigmgr command

Use the mqsibackupconfigmgr command to back up the Configuration Manager repository.

### Supported platforms:

- Windows
- Linux and UNIX systems
- z/OS using BIPBUCM; see “Contents of the Configuration Manager PDSE” on page 643

### Purpose:

This command backs up the Configuration Manager repository. You can use the backed up data to restore the repository for migration or recovery purposes.

### Usage notes:

- Before you run this command you must stop the Configuration Manager.
- If you plan to restore the Configuration Manager data repository on z/OS, and the platform from which it was originally backed up was not z/OS, or the other way round, you must take a copy of the file:

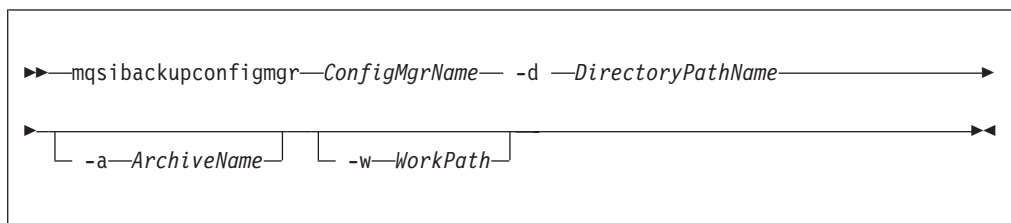
```
<Configuration  
Manager directory>/components/<component name>/<directory name>/service.properties
```

You must keep this file with the compressed .zip file that is produced by the mqsibackupconfigmgr command. After you have run the mqsirestoreconfigmgr command, copy the file to the equivalent place in the restored Configuration Manager data repository.

- If you specified the **-w** (workpath location) option on the mqsicreateconfigmgr command when you created the Configuration Manager, you must specify the **-w** (workpath location) option on the mqsibackupconfigmgr command.

If, however, you did not specify the **-w** option on the mqsicreateconfigmgr command, the Configuration Manager uses the default workpath location; in which case, the **-w** option on the mqsibackupconfigmgr command is optional.

### Syntax:



### Parameters:

*ConfigMgrName*

(Required) The name of the Configuration Manager.

**-d** *DirectoryPathName*

(Required) The directory where the backup is placed. An error occurs if the directory does not exist.

**-a** *ArchiveName*

(Optional) Specifies the backup archive name; if you do not specify a name, the name takes the form: <configMgrName>\_<date>\_<time>.zip.

**-w** *WorkPath*

(See the Usage notes section above for information about when this option is required.) Specifies the path for the Configuration Manager repository. If the wrong work path location is specified, the following error message is returned:

BIP1077S when taking a backup on configmgr using the command - mqsibackupconfigmgr

#### **Authorization:**

On Windows Vista and Windows Server 2008 systems, the user ID used to run this command must be running with elevated privileges on the local system:

- The user ID must be a member of the group Administrators.
- The command must be started from an environment that has **Run as Administrator** authority.

If you do not run the command from a privileged environment, you are asked to confirm that you want to continue. When you click **OK**, a new privileged command console is created and the command completed, but all responses are written to the privileged environment and are lost when that console closes when the command completes.

On Linux and UNIX systems, the user ID must be a member of mqbrkrs.

On all platforms, the user ID must have the authority to read, at least, the directory specified by %MQSI\_WORKPATH%, and to write to the directory in which the backup is to be placed.

#### **Examples:**

```
mqsibackupconfigmgr ConfigMgr -d c:\mqsitest\db -a archive1
```

### **mqsichangebroker command**

Use the mqsichangebroker command to change one or more of the configuration parameters of the broker.

#### **Supported platforms:**

- Windows
- Linux and UNIX systems
- z/OS. Run this command either as a console command, or by customizing and submitting BIPCHBK; see “Contents of the broker PDSE” on page 640

#### **Purpose:**

You can modify the value of many, but not all, of the parameters that you set when you created the broker. For example, after you change a password, you must run the mqsichangebroker command. You can also use this command to set the UserExitPath property.

You must stop the broker before you can issue this command and restart the broker for the changes to take effect:

- On Windows, Linux, and UNIX systems, use the mqsistop and mqsistart commands to stop and restart the broker.

- On z/OS, you must have started the original broker control process using the /S option. You must stop the broker components using the /F broker, PC option and start the broker components again using the /F broker, SC option.

Select the appropriate link for details of this command on the platform, or platforms, that your enterprise uses:

- “mqsichangebroker command - Windows, Linux, and UNIX systems”
- “mqsichangebroker command - z/OS” on page 406

**Authorization:**

On Windows XP and Windows Server 2003 systems, the user ID used to run this command must be a member of the group Administrators on the local system.

On Windows Vista and Windows Server 2008 systems, the user ID used to run this command must be running with elevated privileges on the local system:

- The user ID must be a member of the group Administrators.
- The command must be started from an environment that has **Run as Administrator** authority.

If you do not run the command from a privileged environment, you are asked to confirm that you want to continue. When you click **OK**, a new privileged command console is created and the command completed, but all responses are written to the privileged environment and are lost when that console closes when the command completes.

On Linux and UNIX systems, the user ID used to run this command must be a member of the mqbrkrs group.

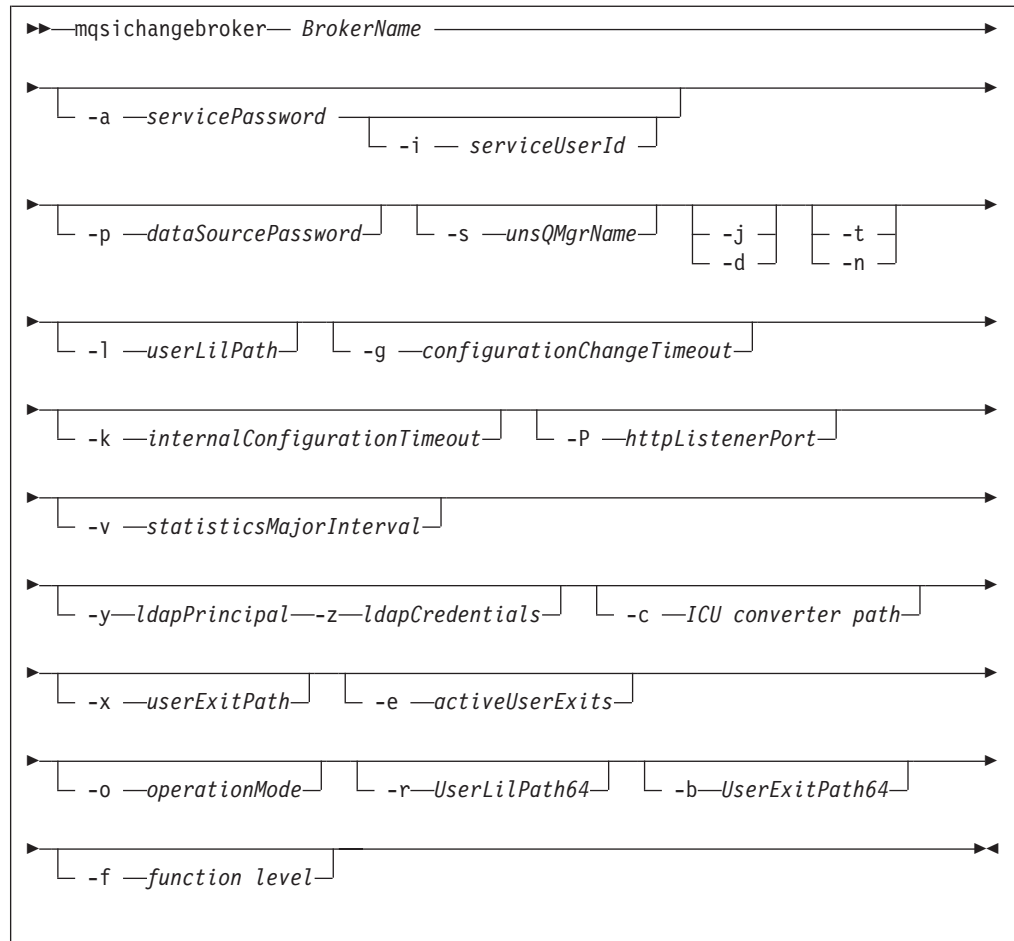
On z/OS systems, the user ID used to run this command must be a member of a group that has READ and WRITE access to the component directory and access to WebSphere MQ.

**Using LDAP:** Ensure that the registry is appropriately secured to prevent unauthorized access. The setting of *LdapPrincipal* and *LdapCredentials* options on mqsichangebroker is not required for correct operation of the broker. The password is not stored in clear text in the file system.

**mqsichangebroker command - Windows, Linux, and UNIX systems:**

*Syntax:*





*Parameters:*

*BrokerName*

(Required) This parameter must be the first parameter. Specify the name of the broker to modify.

**-a** *servicePassword*

(Optional) The password for the *serviceUserId*.

For compatibility with existing systems, you can specify <password>. However, if you do not specify a password with this parameter when you run the command, you are prompted to enter a password during its invocation, and to enter the password a second time to verify that you have entered it correctly. On Linux and UNIX systems, **-a** is required for compatibility with Windows systems, but is not used in relation to *serviceUserId*. **-a** is used as a default only if **-p** is not specified. See the **-p** parameter description for further details.

If you have created your broker to use the *serviceUserId* and *servicePassword* for database access, ensure that you update both instances of the password on this command by specifying the **-p** *dataSourcePassword* parameter. Specify the **-p** *dataSourcePassword* parameter in the following circumstances:

- You omitted the **-u** *dataSourceUserId* and **-p** *dataSourcePassword* parameters.
- You included the **-u** *dataSourceUserId* and **-p** *dataSourcePassword* parameters, but provided the same user ID and password for the service user ID using **-a** *servicePassword* and **-i** *serviceUserId*.

To complete a password change successfully:

- Stop the broker.
- Change the password using the appropriate operating system function.
- Use the `mqsichangebroker` command to update all parameters that reference this same password.
- Restart the broker.

**-i** *serviceUserId*

(Optional) The user ID under which the broker runs. You must also change the password (**-a**) if you change this value.

The user ID under which components run. You can specify the *serviceUserId* in any valid user name syntax.

On Windows systems, valid formats are:

- `\\server\username`
- `.\username`
- `username`

On Linux and UNIX systems, only the last format, `username`, is valid.

Do not use a domain name as part of the *serviceUserId* parameter.

If you use the unqualified form for this user ID (`username`) on Windows systems, the operating system searches for the user ID throughout its domain, starting with the local system. This search might take some time to complete.

The *serviceUserId* that you specify must be a member of the `mqbrkrs` local group. On Windows systems, the ID can be a direct or indirect member of the group. The *serviceUserId* must also be authorized to access the home directory (where WebSphere Message Broker has been installed), and the working directory (if specified by the **-w** parameter).

On Windows systems, if you specify that the broker is to run as a WebSphere MQ trusted application (**-t** parameter), you must also add the service user ID to the `mqm` group. On Linux and UNIX systems, specify the *serviceUserId* as `mqm` if you set the **-t** parameter.

The security requirements for the *serviceUserId* are described in “Security requirements for Windows platforms” on page 685, and in “Security requirements for Linux and UNIX platforms” on page 684.

**-p** *dataSourcePassword*

(Optional) The password of the user ID with which the databases that contain broker tables and user data are to be accessed.

For compatibility with existing systems, you can still specify *password*.

However, if you do not specify a password with this parameter when you run the command, you are prompted to enter a password during its invocation, and to enter the password a second time to verify that you have entered it correctly.

For DB2 on Linux and UNIX systems, you can specify **-p** as an empty string (two double quotation marks, `""`). In this case, DB2 grants WebSphere Message Broker the privileges of the *serviceUserId*, which results in a database connection as “already verified”. If you specify an empty string for **-a** and **-p**, no passwords are stored by WebSphere Message Broker, creating the most secure configuration.

Ensure that you change all instances of the use of this password. If you have created (or changed) the broker to use the same user ID and password for its service user ID, as well as its database access, update both instances at the same time. (See the description of the **-a** parameter for further details.)

**-s** *unsQMgrName*

(Optional) The name of the WebSphere MQ queue manager that is associated with the User Name Server.

To remove topic-based security, specify an empty string (two quotation marks, "").

**-j** (Optional) Publish/subscribe access is enabled for the broker. This parameter is valid only with the **-s** parameter.

**-d** (Optional) Publish/subscribe access is not enabled for the broker.

**-t** (Optional) The broker runs as a WebSphere MQ trusted application.

For more details about using WebSphere MQ trusted applications, see *WebSphere MQ Intercommunication*.

**-n** (Optional) The broker ceases to run as a WebSphere MQ trusted application.

**-l** *userLilPath*

(Optional) A list of paths (directories) from which the broker loads 32-bit loadable implementation libraries (LILs) for user-defined message processing nodes. Use the **-l** flag for 32-bit LILs.

On Linux and UNIX systems, directory names are case sensitive, and you must include the names in single quotation marks if they contain mixed case characters.

Do not include environment variables in the path; the broker ignores them.

Create your own directory for storing your `.lil` or `.jar` files. Do not save them in the WebSphere Message Broker installation directory.

If you specify more than one additional directory, each directory must be separated by the default platform-specific path separator.

The **-l** option sets the LIL path for 32-bit execution groups only.

For 64-bit execution groups, which is the default in WebSphere Message Broker Version 6.1, you must append the corresponding library path to the environment variable `MQSI_LILPATH64`.

**-g** *configurationChangeTimeout*

(Optional) The maximum time (in seconds) that is allowed for a user configuration request to be processed. It defines the length of time taken within the broker to apply to an execution group a configuration change that you have initiated. For example, if you deploy a configuration from the workbench, the broker must respond to the Configuration Manager within this time.

A message flow cannot respond to a configuration change while it is processing an application message. An execution group that has been requested to change its configuration returns a negative response to the deployed configuration message if any one of its message flows does not finish processing an application message and apply the configuration change within this timeout.

Specify the value in seconds, in the range 10 to 3600. The default is 300.

For information about how to set the value for this timeout, see "Setting configuration timeouts" on page 223.

**-k** *internalConfigurationTimeout*

(Optional) The maximum time (in seconds) that is allowed for an internal configuration change to be processed. For example, it defines the length of time taken within the broker to start an execution group.

The response time of each execution group differs according to system load and the load of its own processes. The value must reflect the longest response time that any execution group takes to respond. If the value is too low, the broker returns a negative response, and might issue error messages to the local error log.

Specify the value in seconds, in the range 10 to 3600. The default is 60.

For information about how to set the value for this timeout, see “Setting configuration timeouts” on page 223.

**-P** *httpListenerPort*

(Optional) Enter the number of the port on which the Web services support is listening.

The broker starts this listener when a message flow that includes HTTP nodes or Web services support is started; the default is 7080.

Ensure that the port that you specify has not been specified for any other purpose.

**-v** *statisticsMajorInterval*

(Optional) The time interval (in minutes) at which WebSphere Message Broker statistics and accounting is told to output archive records. For internal accounting, the valid range is from 10 to 14400 minutes.

An interval of zero minutes indicates that the operating system has an external method of notification and is not using an internal timer within WebSphere Message Broker.

**-y** *ldapPrincipal*

(Optional, but mandatory when *ldapCredentials* is provided.) The user principal for access to an optional LDAP directory that holds the JNDI administered Initial Context for the JMS provider.

**-z** *ldapCredentials*

(Optional, but mandatory when *ldapPrincipal* is provided.) The user password for access to LDAP.

**-c** *ICU converter path*

(Optional) A delimited set of directories to search for additional code page converters. On Windows systems, the delimiter is a semicolon (;). On UNIX and Linux systems, the delimiter is a colon (:).

The code page converters must be either of the form *icudt32\_codepagename.cnv*, or in an ICU data package called *icudt32.dat*.

Do not use this parameter to set the converter path if you are using a converter that matches one of the built-in converters that are provided with Version 6.0, and that converter is the local code page for the broker. Use the **ICU\_DATA** environment variable instead.

**-x** *userExitPath*

(Optional) The path that contains the location of all user exits to be loaded for 32-bit execution groups in this broker. This path is added to the system library search path (**PATH**,**LIBPATH**,**LD\_LIBRARY\_PATH**,**SHLIBPATH**) for the execution group process only.

**-e** *activeUserExits*

(Optional) Active user exits. By default, user exits are inactive. Adding a *userExit* name to this colon-separated list changes its default state to active for this broker. You can use the *mqsichangeflowuserexits* command to override the default state at the execution group or message flow level. If you specify a user

exit name, and no library is found to provide that user exit when the execution group starts, a BIP2314 message is written to the system log, and the execution group fails to start.

**-o** *operationMode*

(Optional) Use this parameter to set the mode of your broker; see Operation modes. Valid values that you can set are enterprise (the full package, enterprise mode), starter (Starter Edition mode), and adapter (Remote Adapter Deployment mode). The default is enterprise unless you have the Trial Edition, in which case the default is trial. If no **-o** parameter is set then the default is set automatically.

**-r** *UserLilPath64*

(Optional) A list of paths (directories) from which the broker loads 64-bit loadable implementation libraries (LILs) for user-defined message processing nodes. As you have the ability to use 32-bit or 64-bit LILs on the following platforms:

- AIX
- HP-UX on PA-RISC
- Linux on x86-64
- Solaris on SPARC

use the

- **-r** flag to set the path where the 64-bit LILs, for the user-defined nodes, are stored.
- **-l** flag to set the path where the 32-bit LILs, for the user-defined nodes, are stored.

On Linux and UNIX systems, directory names are case sensitive, and you must include the names in single quotation marks if they contain mixed case characters.

Do not include environment variables in the path; the broker ignores them.

Create your own directory for storing your `.lil` or `.jar` files. Do not save them in the WebSphere Message Broker installation directory.

If you specify more than one directory, separate directories by a semicolon (;) on Windows systems, or a colon (:) on Linux and UNIX systems.

**-b** *UserExitPath64*

(Optional) The path that contains the location of all user exits to be loaded for 64-bit execution groups in this broker. This path is added to the system library search path (PATH,LIBPATH,LD\_LIBRARY\_PATH,SHLIBPATH) for the execution group process only.

As you have the ability to run 32-bit or 64-bit execution groups on the following platforms:

- AIX
- HP-UX on PA-RISC
- Linux on x86-64
- Solaris on SPARC

use the

- **-b** flag to set the path where the 64-bit user exits are stored.
- **-x** flag to set the path where the 32-bit user exits are stored.

**-f function level**

(Optional) Use this parameter to set the maximum function level of your broker that you want to enable. Valid values that you can set are 6.1.0.2, 6.1.0.3, all, or blank. The default is 6.1.0.2.

If you set **-f** to 6.1.0.2 or 6.1.0.3 then the nodes that are available up to, and including, that version are enabled. If you set **-f** to all then all nodes are enabled, regardless of when they were added to the product. If you set **-f** to blank then the nodes available in Version 6.1.0.3 and later are not enabled.

To change other broker properties, first delete and re-create the broker, and then use the workbench to redeploy the broker's configuration. To change the user ID that is used for database access, see "Administering the broker domain" on page 315.

*Examples:*

Windows, Linux, and UNIX systems:

```
mqsichangebroker WBRK_BROKER -s WBRK_UNQ_QM
mqsichangebroker WBRK_BROKER -s ""
mqsichangebroker WBRK_BROKER -x /opt/3rdparty/wmbexit
```

To enable the nodes that are available in WebSphere Message Broker V6.1.0.3 run the following command:

```
mqsichangebroker WBRK_BROKER -f 6.1.0.3
```

**mqsichangebroker command - z/OS:**

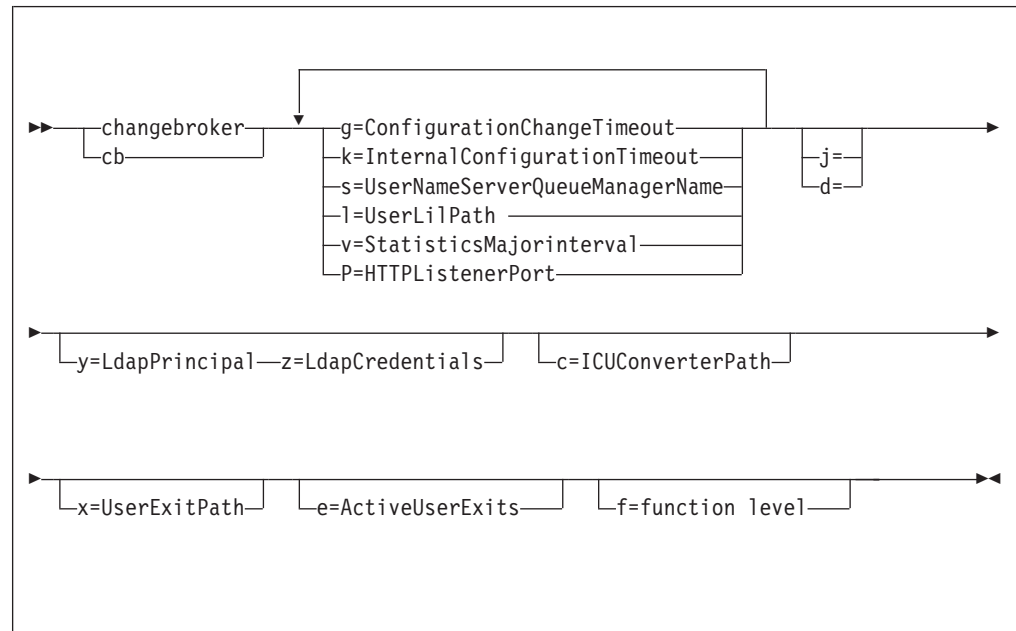
*Syntax:*

*z/OS command - BIPCHBK:*



z/OS console command:

**Synonym:** cb



*Parameters:*

*BrokerName*

(Required) This parameter must be the first parameter. Specify the name of the broker to modify.

This parameter is implied in the console form of the command.

**-s** *UserNameServerQueueManagerName*

(Optional) The name of the WebSphere MQ queue manager that is associated with the User Name Server.

To remove topic-based security, specify an empty string (two quotation marks, "").

This name is case sensitive; enclose the names in single quotation marks if they are in mixed case.

**-j** (Optional) Publish/subscribe access is enabled for the broker. This parameter is valid only with the **-s** parameter.

**-d** (Optional) Publish/subscribe access is not enabled for the broker.

**-l** *UserLilPath*

(Optional) A list of paths (directories) from which the broker loads 32-bit loadable implementation libraries (LILs) for user-defined message processing nodes. Use the **-l** flag for 32-bit LILs.

This name is case sensitive; enclose the names in single quotation marks if they are in mixed case.

Do not include environment variables in this path; WebSphere Message Broker ignores them.

Create your own directory for storing your `.lil` or `.jar` files. Do not save them in the WebSphere Message Broker installation directory.

If you specify more than one additional directory, each directory must be separated by the default platform-specific path separator.

**-g** *ConfigurationChangeTimeout*

(Optional) The maximum time (in seconds) that is allowed for a user configuration request to be processed. It defines the length of time taken within the broker to apply to an execution group a configuration change that you have initiated. For example, if you deploy a configuration from the workbench, the broker must respond to the Configuration Manager within this time.

A message flow cannot respond to a configuration change while it is processing an application message. An execution group that has been requested to change its configuration returns a negative response to the deployed configuration message if any one of its message flows does not finish processing an application message and apply the configuration change within this timeout.

Specify the value in seconds, in the range 10 to 3600. The default is 300.

For information about how to set the value for this timeout, see “Setting configuration timeouts” on page 223.

**-k** *InternalConfigurationTimeout*

(Optional) The maximum time (in seconds) that is allowed for an internal configuration change to be processed. For example, it defines the length of time taken within the broker to start an execution group.

The response time of each execution group differs according to system load and the load of its own processes. The value must reflect the longest response time that any execution group takes to respond. If the value is too low, the broker returns a negative response, and might issue error messages to the local error log.

Specify the value in seconds, in the range 10 to 3600. The default is 60.

For information about how to set the value for this timeout, see “Setting configuration timeouts” on page 223.

**-P** *HTTPListenerPort*

(Optional) Enter the number of the port on which the Web services support is listening.

The broker starts this listener when a message flow that includes HTTP nodes or Web services support is started; the default is 7080.

Ensure that the port that you specify has not been specified for any other purpose.

**-v** *StatisticsMajorInterval*

(Optional) Specify the interval (in minutes) at which WebSphere Message Broker statistics and accounting is notified that archive records are to be output. The valid range is from 10 to 14400 minutes.

An interval of zero minutes indicates that the operating system has an external method of notification and is not using an internal timer within WebSphere Message Broker.

**-y** *LdapPrincipal*

(Optional, but mandatory when *ldapCredentials* is provided.) The user principal for access to an optional LDAP directory that holds the JNDI administered Initial Context for the JMS provider.



**-z *LdapCredentials***

(Optional, but mandatory when *ldapPrincipal* is provided.) The user password for access to LDAP.

**-c *ICUConverterPath***

(Optional) A delimited set of directories to search for additional code page converters; the delimiter is a period (.).

The code page converters must be either of the form *icudt32\_codepagename.cnv*, or in an ICU data package called *icudt32.dat*.

Do not use this parameter to set the converter path if you are using a converter that matches one of the built-in converters that are provided with Version 6.0, and that converter is the local code page for the broker. Use the **ICU\_DATA** environment variable instead.

**-x *UserExitPath***

(Optional) The path that contains the location of all user exits to be loaded for 32-bit execution groups in this broker. This path is added to the system library search path (*PATH,LIBPATH,LD\_LIBRARY\_PATH,SHLIBPATH*) for the execution group process only.

**-e *ActiveUserExits***

(Optional) Active user exits. By default, user exits are inactive. Adding a *userExit* name to this colon-separated list changes its default state to active for this broker. You can use the *mqsichangeuserexits* command to override the default state at the execution group or message flow level. If you specify a user exit name, and no library is found to provide that user exit when the execution group starts, a BIP2314 message is written to the system log, and the execution group fails to start.

**-f *function level***

(Optional) Use this parameter to set the maximum function level of your broker that you want to enable. Valid values that you can set are 6.1.0.2, 6.1.0.3, all, or blank. The default is 6.1.0.2.

If you set **-f** to 6.1.0.2 or 6.1.0.3 then the nodes that are available up to, and including, that version are enabled. If you set **-f** to all then all nodes are enabled, regardless of when they were added to the product. If you set **-f** to blank then the nodes available in Version 6.1.0.3 and later are not enabled.

To change other broker properties, first delete and re-create the broker, and then use the *workbench* to redeploy the broker's configuration. To change the user ID that is used for database access, see "Administering the broker domain" on page 315.

*Examples:*

*z/OS:*

```
F MQP1BRK,cb g=100,k=200
```

You must use a comma between each command option. The following command illustrates this requirement and uses both the **u** and **e** parameters:

```
/f MA05BRK,cb x='/u/test/wbi/MsgFlowTrackingUserExit/zOS',e='MqsiStrUserExit02:MqsiStrUserExit03'
```

To enable the nodes that are available in WebSphere Message Broker V6.1.0.3 run the following command:

```
F MQP1BRK,cb f=6.1.0.3
```

## mqsichangeconfigmgr command

Use the mqsichangeconfigmgr command to changes one or more of the properties of the Configuration Manager.

### Supported platforms:

- Windows
- Linux and UNIX systems
- z/OS. Run this command in one of two ways; as a console command, or by customizing and submitting BIPCHCM; see “Contents of the Configuration Manager PDSE” on page 643

### Purpose:

You can modify most of the parameters that you set when you created the Configuration Manager; you cannot change the queue manager name or the parameters that are related to migration.

You must stop the Configuration Manager before you can issue this command, and restart the Configuration Manager for the changes to take effect:

- On Windows, Linux, and UNIX systems, use the mqsistop and mqsistart commands.
- On z/OS, you must have started the original Configuration Manager control process using the /S option. You must stop the Configuration Manager components using the /F Configuration Manager, PC option and start the Configuration Manager components again using the /F Configuration Manager, SC option.

Select the appropriate link for details of this command on the platform, or platforms, that your enterprise uses:

- “mqsichangeconfigmgr command - Windows”
- “mqsichangeconfigmgr command - Linux and UNIX systems” on page 412
- “mqsichangeconfigmgr command - z/OS” on page 414

### Authorization:

On Windows Vista and Windows Server 2008 systems, the user ID used to run this command must be running with elevated privileges on the local system:

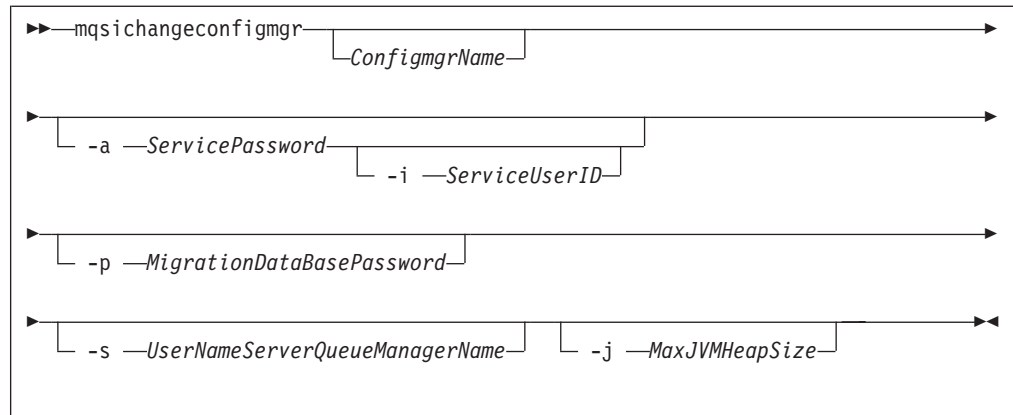
- The user ID must be a member of the group Administrators.
- The command must be started from an environment that has **Run as Administrator** authority.

If you do not run the command from a privileged environment, you are asked to confirm that you want to continue. When you click **OK**, a new privileged command console is created and the command completed, but all responses are written to the privileged environment and are lost when that console closes when the command completes.

On other platforms, no specific authority is required to run this command.

### mqsichangeconfigmgr command - Windows:

*Syntax:*



*Parameters:*

*ConfigmgrName*

(Optional) The name, which is not case sensitive, of the Configuration Manager that you want to change.

The default name on Windows, if this parameter is not specified, is 'ConfigMgr'.

**-i** *ServiceUserID*

(Optional) The user ID under which the Windows system service runs. You can only change this value if you also change the password.

This can be specified in any valid user name syntax for the platform. If you use the unqualified form for this user ID (username) on Windows systems, the operating system searches for the user ID throughout its domain, starting with the local system. This search might take some time to complete.

The *ServiceUserID* specified must be a member (either direct or indirect) of the local group **mqbrkrs**. The *ServiceUserID* must also be authorized to access the home directory (where WebSphere Message Broker has been installed), and the working directory (if specified by the **mqsicreateconfigmgr -w** flag). This ID must also be a member (either direct or indirect) of the local group **mqm**.

The security requirements for the *ServiceUserID* are detailed in "Security requirements for Windows platforms" on page 685.

**-a** *ServicePassword*

(Optional) The password for the *ServiceUserID*.

If you created the Configuration Manager to use this user ID and password for database access as well (that is, you provided the same user ID and password for the service user ID using **-a ServicePassword** and **-i ServiceUserID**), ensure that you update all instances of the password on this command.

To complete a password change successfully, you must:

- Stop the Configuration Manager.
- Change the password using the appropriate operating system facilities.
- Use this command to update all parameters that reference this same password.
- Restart the Configuration Manager.

For compatibility with existing systems, you can still specify `<password>`.

However, if you do not specify a password with this parameter when you run

the command you are prompted to enter a password during its invocation, and to enter the password a second time to verify that you have entered it correctly.

**-p** *MigrationDataBasePassword*

(Optional) The password for the DB2 database that you are migrating.

Ensure that you change all instances of the use of this password. If you have created (or changed) the Configuration Manager to use the same user ID and password for its service user ID as well as its database access, you must update all instances at the same time. See the description of **-a** for further details.

**-s** *UserNameServerQueueManagerName*

(Optional) The name of the WebSphere MQ queue manager that is associated with the User Name Server. If you want to remove topic security, specify an empty string (two double quotation marks, "").

**-j** *MaxJVMHeapSize*

(Optional) The maximum Java virtual machine (JVM) heap size, in megabytes. The smallest value that you can set is 64. If you do not set this parameter, the default size of 128 MB is used.

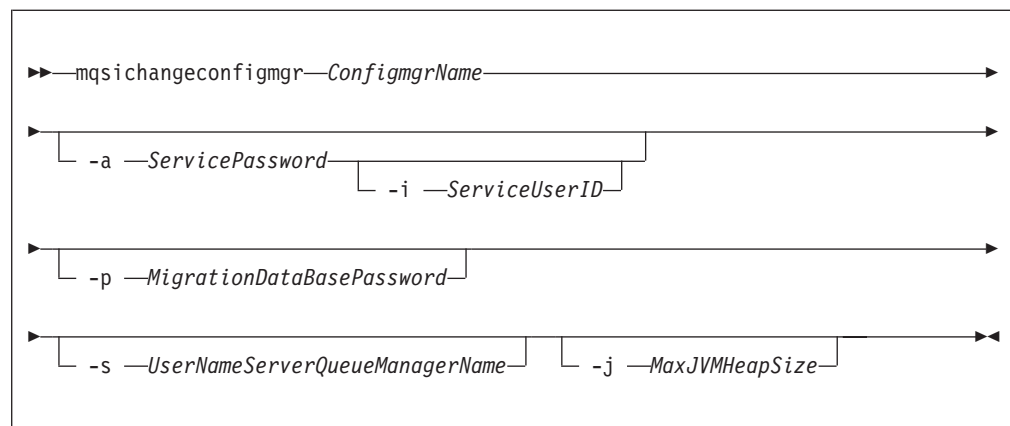
If you want to change other properties, you must delete and recreate the Configuration Manager.

*Examples:*

```
mqschangeconfigmgr CMGR01 -i ADMIN
mqschangeconfigmgr CMGR01 -s ""
```

**mqschangeconfigmgr command - Linux and UNIX systems:**

*Syntax:*



*Parameters:*

*ConfigmgrName*

(Required) The name of the Configuration Manager that you want to change.

This must be the first parameter specified and the name is case-sensitive.

**-i** *ServiceUserID*

(Optional) This can be specified in any valid user name syntax for the platform.

The ServiceUserID specified must be a member (either direct or indirect) of the local group **mqbrkrs**. The ServiceUserID must also be authorized to access the home directory (where WebSphere Message Broker has been installed), and the working directory (if specified by the **mqsicreateconfigmgr -w** flag). This ID must also be a member (either direct or indirect) of the local group **mqm**.

The security requirements for the ServiceUserID are detailed in "Security requirements for Linux and UNIX platforms" on page 684.

**-a** *ServicePassword*

(Optional) The password for the ServiceUserID.

If you created the Configuration Manager to use this user ID and password for database access as well (that is, you provided the same user ID and password for the service user ID using **-a ServicePassword** and **-i ServiceUserID**), ensure that you update all instances of the password on this command.

To complete a password change successfully, you must:

- Stop the Configuration Manager.
- Change the password using the appropriate operating system facilities.
- Use this command to update all parameters that reference this same password.
- Restart the Configuration Manager.

For compatibility with existing systems, you can still specify `<password>`. However, if you do not specify a password with this parameter when you run the command you are prompted to enter a password during its invocation, and to enter the password a second time to verify that you have entered it correctly.

**-p** *MigrationDataBasePassword*

(Optional) The password for the DB2 database that you are migrating.

Ensure that you change all instances of the use of this password. If you have created (or changed) the Configuration Manager to use the same user ID and password for its service user ID as well as its database access, you must update all instances at the same time. See the description of **-a** for further details.

**-s** *UserNameServerQueueManagerName*

(Optional) The name of the WebSphere MQ queue manager that is associated with the User Name Server. If you want to remove topic security, specify an empty string (two double quotation marks, "").

**-j** *MaxJVMHeapSize*

(Optional) The maximum Java virtual machine (JVM) heap size, in megabytes. The smallest value that you can set is 64. If you do not set this parameter, the default size of 128 MB is used.

If you want to change other properties, you must delete and recreate the Configuration Manager.

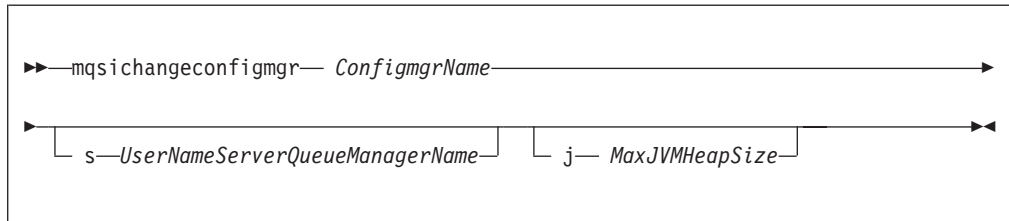
*Examples:*

```
mqsichangeconfigmgr CMGR01 -i ADMIN
mqsichangeconfigmgr CMGR01 -s ""
```

## mqschangeconfigmgr command - z/OS:

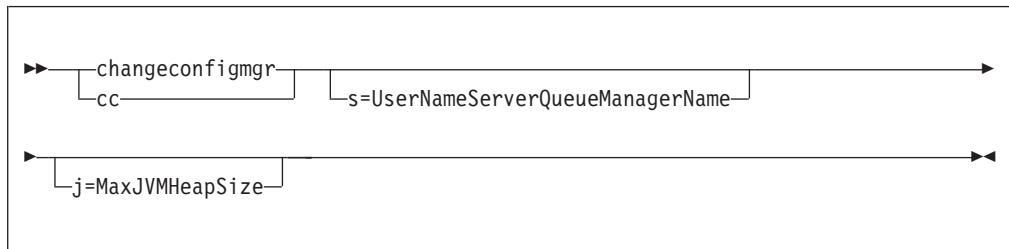
*Syntax:*

*z/OS command - BIPCHCM:*



*z/OS console command:*

**Synonym:** cc



*Parameters:*

*ConfigmgrName*

(Required) The name of the Configuration Manager that you want to change. This parameter is implied when using the console command.

This must be the first parameter specified and the name is case-sensitive.

**-s** *UserNameServerQueueManagerName*

(Optional) The name of the WebSphere MQ queue manager that is associated with the User Name Server. If you want to remove topic security, specify an empty string (two double quotation marks, "").

**-j** *MaxJVMHeapSize*

(Optional) The maximum Java virtual machine (JVM) heap size, in megabytes. The smallest value that you can set is 64. If you do not set this parameter, the default size of 128 MB is used.

If you want to change other properties, you must delete and recreate the Configuration Manager.

*Examples:*

```
mqschangeconfigmgr CMGR01 -s ""
```

## mqschangedbimgr command

Use the `mqschangedbimgr` command to update the Derby Network Server.

**Supported platforms:**

- Windows XP and Windows Server 2003

**Purpose:**

The `mqsichangedbimgr` command updates the Windows service that runs the Derby Network Server, with a new user password, a new user ID, or both.

**Syntax:**

```

▶▶—mqsichangedbimgr— -a —ServicePassword— —ServiceUserID—▶▶

```

**Parameters:**

**-a ServicePassword**

(Required) The new password for the ServiceUserID. To complete a password change successfully, you must:

- Stop the broker by using the `mqsistop` command.
- Change the password by using the appropriate Windows facilities.
- Use the appropriate `mqsichange` commands to update all the components that reference this same ServiceUserID and password.
- Restart the broker by using the `mqsistart` command.

**-i ServiceUserID**

(Optional) The user ID under which the default database runs. Specify this parameter in any valid user name syntax:

- domain\username
- \\server\username
- .\username
- username

If you use the unqualified form for this user ID (username), the operating system searches for the user ID throughout its domain, starting with the local system. This search might take some time to complete.

The ServiceUserID specified must be a member of the local group `mqbrkrs`. It can be a direct or indirect member of the group. The ServiceUserID must also be authorized to access the home directory (where you have installed WebSphere Message Broker).

The security requirements for the ServiceUserID are detailed in “Security requirements for Windows platforms” on page 685.

**Authorization:**

The user ID used to run this command must have Administrator authority on the local system and be part of the `mqbrkrs` group.

**Examples:**

The following example changes the password used for the DatabaseInstanceMgr service:

```
mqsichangedbimgr -a wbrkpw1
```

## mqsichangeflowmonitoring command

Use the mqsichangeflowmonitoring command to enable monitoring of message flows.

### Supported operating systems:

- Windows
- Linux and UNIX systems
- z/OS: Run this command either as a console command, or by customizing and submitting BIPCHME; see “Contents of the broker PDSE” on page 640.

### Purpose:

Use the mqsichangeflowmonitoring command to carry out the following tasks:

- Activate or deactivate monitoring for a message flow
- Enable or disable an event source within a message flow
- Associate a configurable service with a message flow by setting its monitoringProfile property.

This facility can be used to change the state (enabled or disabled) of any event in the message flow, whether it was configured using the node’s monitoring properties, or a monitoring profile configurable service. The new state takes effect immediately (but safely).

The state change persists, and so it survives a restart of the message flow or execution group. For an event configured using the node’s monitoring properties, the state change is lost if the message flow is redeployed, unless the node property is also changed.

Select the appropriate link for details of the mqsichangeflowmonitoring command on the platform that your enterprise uses:

- “mqsichangeflowmonitoring command - Windows, Linux and UNIX systems” on page 417
- “mqsichangeflowmonitoring command - z/OS” on page 419

### Authorization:

On Windows XP and Windows Server 2003 systems, the user ID used to run this command must be a member of the group Administrators on the local system.

On Windows Vista and Windows Server 2008 systems, the user ID used to run this command must be running with elevated privileges on the local system:

- The user ID must be a member of the group Administrators.
- The command must be started from an environment that has **Run as Administrator** authority.

If you do not run the command from a privileged environment, you are asked to confirm that you want to continue. When you click **OK**, a new privileged command console is created and the command completed, but all responses are written to the privileged environment and are lost when that console closes when the command completes.

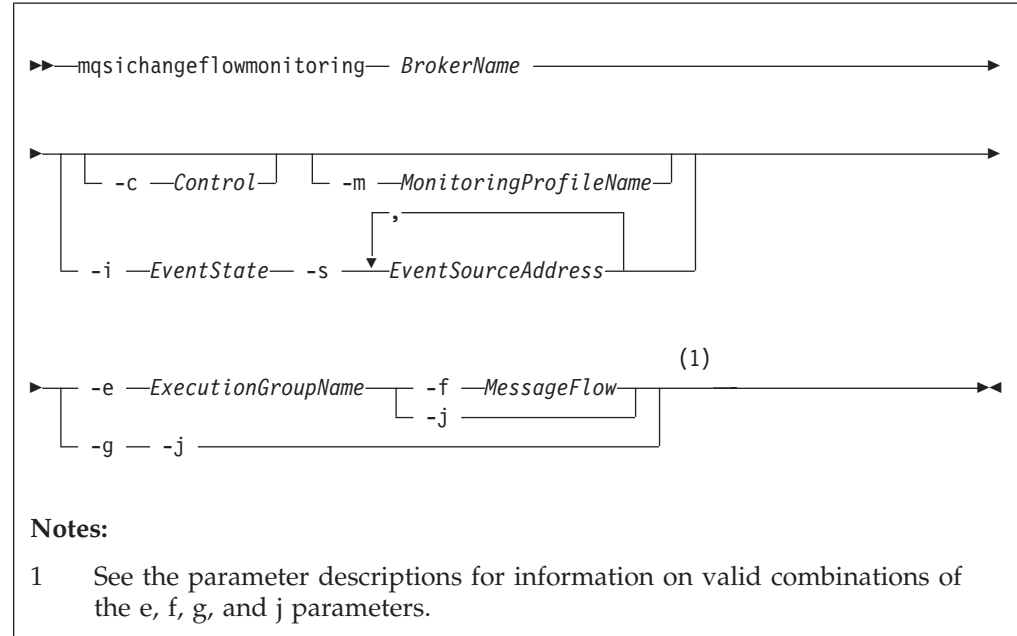
On Linux and UNIX systems, the user ID used to invoke this command must be a member of the mqbrkrs group.



On z/OS systems, the user ID used to invoke this command must be a member of a group that has READ and WRITE access to the component directory.

**mqsichangeflowmonitoring command - Windows, Linux and UNIX systems:**

*Syntax:*



*Parameters:*

**BrokerName**

(Required) Specify the label of the broker to which the message flows that you want to be monitored are deployed.

**-c Control**

(Optional) Specify the string value that controls monitoring for the specified message flows. Possible values are:

- active - activate monitoring
- inactive - deactivate monitoring

**-m MonitoringProfileName**

(Optional) Specify the name of the monitoring profile which the specified message flows should use.

If there is no monitoring profile with the specified name on the specified broker, the command completes successfully, and the message flows attempt to use the specified monitoring profile. Each message flow logs a warning in the User Trace to indicate that it was instructed to use a nonexistent monitoring profile. No event message is created. If a monitoring profile with the specified name is later deployed to the broker, the message flows do not immediately begin to use it. A refresh of the monitoring state can be triggered by issuing the command again with the -c option to activate or reactivate monitoring.

**-i EventState**

(Optional) Specify the string value that controls monitoring for the specified event source. Valid only when used with the -e and -f parameters. Possible values are:

|  
|  
|  
|

enable - enable monitoring for the specified event sources.  
disable - disable monitoring for the specified event sources.

**-s EventSourceAddress**

(Optional) Comma-separated list of the event sources to be enabled or disabled. Valid only when used with the `-e` and `-f` parameters. This value takes the form `<node name>.<event source>`, where `<event source>` is one of the following values:

'terminal.<terminal name>'  
'transaction.Start'  
'transaction.End'  
'transaction.Rollback'

If a message flow contains two or more nodes with identical names, the event sources on those nodes cannot be accurately addressed. If this is attempted, behavior is undefined.

**Note:** `<node name>` is the label of the node as known by the broker runtime components. If the node is in a subflow the label reflects this. For example, flow A contains an instance of flow B as a subflow labeled 'myB'; flow B contains an instance of a Compute node labeled 'myCompute'. The `<node name>` for the Compute node is 'myB.myCompute'.

**-e ExecutionGroupName**

(Required) Specify the name for the execution group to which the message flows that you want to be monitored are deployed.

You must specify either `-e` or `-g`. If you do not specify one of these arguments you receive an error message.

**-f MessageFlow**

(Required) Specify the label for the message flow, for which the monitoring options are to be activated or updated.

You must specify either `-f` or `-j`. If you do not specify one of these arguments you receive an error message.

**-g** (Required) Specifies that the command applies to **all** execution groups that belong to the broker.

You must specify either `-e` or `-g`. If you do not specify one of these arguments you receive an error message.

**-j** (Required) Specifies that the command applies to **all** message flows that belong to the execution group.

You must specify either `-f` or `-j`. If you do not specify one of these arguments you receive an error message.

**Note:** If you set the `-g` option for all execution groups, you must use `-j` instead of `-f`.

*Examples:*

Assign `monitoringProfile1` to `messageFlow1` in execution group `default`:

```
mqsischangeflowmonitoring WBRK_BROKER -e default  
-f messageFlow1 -m monitoringProfile1
```

Activate monitoring for all message flows in all execution groups:

```
mqsichangeflowmonitoring WBRK_BROKER -c active -g -j
```

Enable individual event sources:

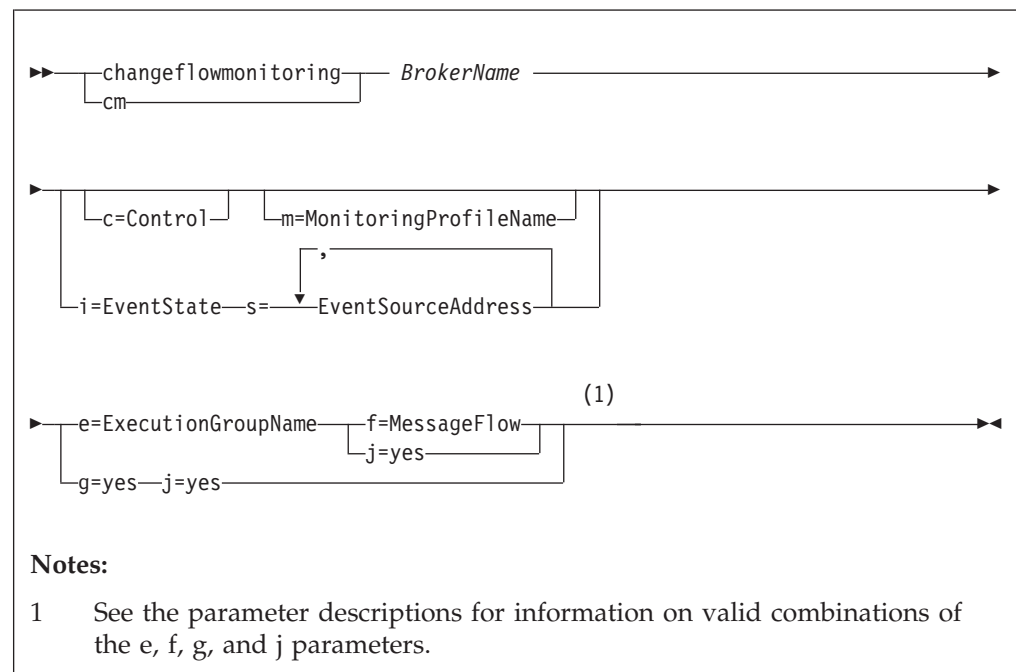
```
mqsichangeflowmonitoring WBRK_BROKER  
-e default  
-f myMessageFlow  
-s "SOAP Input1.terminal.out,MQOutput1.terminal.in"  
-i enabled
```

### mqsichangeflowmonitoring command - z/OS:

*Syntax:*

*z/OS console command:*

**Synonym:** cm



*Parameters:*

#### **BrokerName**

(Required) Specify the label of the broker to which the message flows that you want to be monitored are deployed.

This parameter is implied on the console form of the command.

#### **c=Control**

(Optional) Specify the string value that controls monitoring for the specified message flows. Possible values are:

- active - activate monitoring
- inactive - deactivate monitoring

#### **m=MonitoringProfileName**

(Optional) Specify the name of the monitoring profile which the specified message flows should use.

If there is no monitoring profile with the specified name on the specified broker, the command completes successfully, and the message flows attempt to use the specified monitoring profile. Each message flow logs a warning in the User Trace to indicate that it was instructed to use a nonexistent monitoring profile. No event message is created. If a monitoring profile with the specified name is later deployed to the broker, the message flows do not immediately begin to use it. A refresh of the monitoring state can be triggered by issuing the command again with the `-c` option to activate or reactivate monitoring.

| **i=EventState**

| (Optional) Specify the string value that controls monitoring for the specified  
| event source. Valid only when used with the `-e` and `-f` parameters. Possible  
| values are:

- | enable - enable monitoring for the specified event sources.
- | disable - disable monitoring for the specified event sources.

| **s=EventSourceAddress**

| (Optional) Comma-separated list of the event sources to be enabled or  
| disabled. Valid only when used with the `-e` and `-f` parameters. This value takes  
| the form `<node name>.<event source>`, where `<event source>` is one of the  
| following values:

- | 'terminal.<terminal name>'
- | 'transaction.Start'
- | 'transaction.End'
- | 'transaction.Rollback'

| If a message flow contains two or more nodes with identical names, the event  
| sources on those nodes cannot be accurately addressed. If this is attempted,  
| behavior is undefined.

| **Note:** `<node name>` is the label of the node as known by the broker runtime  
| components. If the node is in a subflow the label reflects this. For  
| example, flow A contains an instance of flow B as a subflow labeled  
| 'myB'; flow B contains an instance of a Compute node labeled  
| 'myCompute'. The `<node name>` for the Compute node is  
| 'myB.myCompute'.

| **e=ExecutionGroupName**

| (Required) Specify the name for the execution group to which the message  
| flows that you want to be monitored are deployed.

| You must specify either `-e` or `-g`. If you do not specify one of these arguments  
| you receive an error message.

| **f=MessageFlow**

| (Required) Specify the label for the message flow, for which the monitoring  
| options are to be activated or updated.

| You must specify either `-f` or `-j`. If you do not specify one of these arguments  
| you receive an error message.

| **g** (Required) Specifies that the command applies to **all** execution groups that  
| belong to the broker.

| You must specify either `-e` or `-g`. If you do not specify one of these arguments  
| you receive an error message.

| **j** (Required) Specifies that the command applies to **all** message flows that belong  
| to the execution group.

You must specify either **-f** or **-j**. If you do not specify one of these arguments you receive an error message.

**Note:** If you set the **-g** option for all execution groups, you must use **-j** instead of **-f**.

*Example:*

The following example shows the command to activate monitoring on all message flows in all execution groups:

```
F MI10BRK,cm c=active,g=yes,j=yes
```

## **mqsichangeflowstats command**

Use the `mqsichangeflowstats` command to control the accumulation of statistics about message flow operation.

### **Supported Platforms:**

- Windows
- Linux and UNIX systems
- z/OS. Run this command in one of two ways - as a console command, or by customizing and submitting BIPCHMS; see "Contents of the broker PDSE" on page 640

### **Purpose:**

Use the `mqsichangeflowstats` command to:

- Turn on or off accounting and statistics snapshot publication, or archive record output.
- Specify that the command is applied to a specific flow message flow, or all flows in an execution group, or all execution groups belonging to a broker.
- Modify the granularity of the data collected in addition to the standard message flow accounting and statistics. This extra data can include thread related data, node related data, node terminal related data, or a mixture of this data.

The options set using this command remain active until modified by a subsequent `mqsichangeflowstats` command.

Select the appropriate link for details of this command on the platform, or platforms, that your enterprise uses:

- "mqsichangeflowstats command - Windows, Linux and UNIX systems" on page 422
- "mqsichangeflowstats command - z/OS" on page 424

### **Authorization:**

On Windows Vista and Windows Server 2008 systems, the user ID used to run this command must be running with elevated privileges on the local system:

- The user ID must be a member of the group Administrators.
- The command must be started from an environment that has **Run as Administrator** authority.

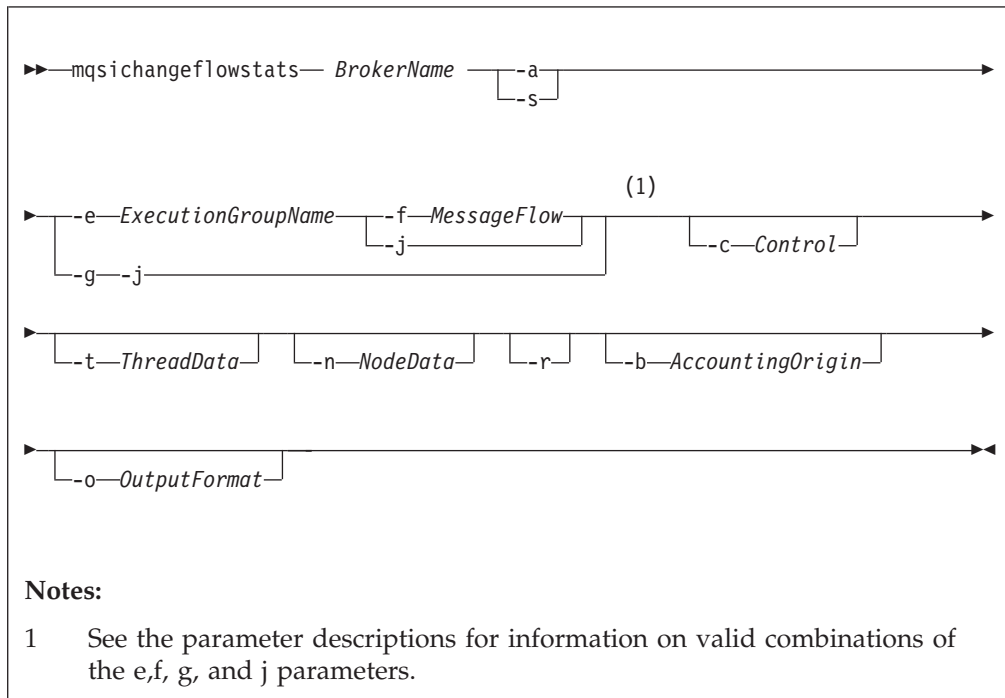
If you do not run the command from a privileged environment, you are asked to confirm that you want to continue. When you click **OK**, a new privileged

command console is created and the command completed, but all responses are written to the privileged environment and are lost when that console closes when the command completes.

On other platforms, no specific authority is required to run this command.

**mqsichangeflowstats command - Windows, Linux and UNIX systems:**

*Syntax:*



*Parameters:*

**BrokerName**

(Required) Specify the label of the broker for which accounting and statistics are to be changed.

**-a** (Required) Specify that the command modifies archive accounting and statistics collection.

You must specify either **-a** or **-s**. If you do not specify one of these arguments you receive a warning message.

**-s** (Required) Specify that the command modifies snapshot accounting and statistics collection.

You must specify either **-a** or **-s**. If you do not specify one of these arguments you receive a warning message.

**-e** *ExecutionGroupName*

(Required) Specify the name for the execution group, for which accounting and statistics options are to be changed.

You must specify either **-e** or **-g**. If you do not specify one of these arguments you receive a warning message.

**-f** *MessageFlow*

(Required) Specify the label for the message flow, for which accounting and statistics options are to be changed.

You must specify either **-f** or **-j**. If you do not specify one of these arguments you receive a warning message.

**-g** (Required) Specifies that the command applies to **all** execution groups that belong to the broker.

You must specify either **-e** or **-g**. If you do not specify one of these arguments you receive a warning message.

**-j** (Required) Specifies that the command applies to **all** message flows that belong to the execution group.

You must specify either **-f** or **-j**. If you do not specify one of these arguments you receive a warning message.

**Note:** If you set the **-g** option for all execution groups, you must use **-j** instead of **-f**.

**-c** *Control*

(Optional) Specify the string value that controls the level of the action to be applied to accounting and statistics collection for snapshot or archiving.

Possible values are:

- active - turn on snapshot or archiving
- inactive - turn off snapshot or archiving.

**-t** *ThreadData*

(Optional) Specify a string value to modify the collection of thread statistics data for a message flow. Possible values are:

- none - exclude thread related data from the statistics
- basic - include thread related data in the statistics

**-n** *NodeData*

(Optional) Specify a string value to modify the collection of node statistics data for a message flow. Possible values are:

- none - exclude node related data in the statistics
- basic - include node related statistics in the statistics
- advanced - include node related and terminal related data in the statistics

**-r** (Optional) This parameter applies only to archive data and specifies that archive data is to be reset.

This results in the clearing out of accounting and statistics data accumulated so far for this interval, and restarts collection from this point. All archive data for all flows in the execution group, or groups, is reset.

The archive interval timer is only reset if the **-v** option (*statistics archive interval*) of **mqsicreatebroker** or **mqsichangebroker** is non zero.

That is, the interval timer is set only if the internal interval notification mechanism is being used, and not an external method.

**-b** *AccountingOrigin*

(Optional) Specifies that the environment tree path *Broker.Accounting.Origin* is used to partition the collected statistics into distinct outputs. Possible values are:

- none - do not partition statistics according to accounting origin data

- basic - partition statistics according to accounting origin data

**-o OutputFormat**

(Optional) Specify the output destination for the statistics reports. Possible values are:

- usertrace - this is the default and writes "bip" messages to usertrace, which can be post processed in the normal way using the **mqsireadlog** and **mqsiformatlog** commands
- xml - the statistics reports are generated as XML documents and published by the broker running the message flow.

The topic on which the data is published has the following structure:

```
$SYS/Broker/<brokerName>/StatisticsAccounting/<recordType>
/<executionGroupLabel>/<messageFlowLabel>
```

where recordType is set to Snapshot or Archive, and broker, execution group, and message flow names are specified according to the subscriber's requirements.

*Examples:*

Turn on snapshot statistics for the message flow "myFlow1" in all execution groups of BrokerA and specify that the data is to be gathered by accounting origin:

```
mqsichangeflowstats BrokerA -s -g -j -b none
```

Turn off the collection of archive statistics for message flow "MyFlow1" in execution group "EGRP2" for BrokerA, and at the same time modify the granularity of data that is to be collected ( when next activated ) to include thread related data.

```
mqsichangeflowstats BrokerA -a -e "EGRP2" -f MyFlow1 -c inactive -t basic
```

Turn off snapshot data for all message flows in all execution groups for Broker A.

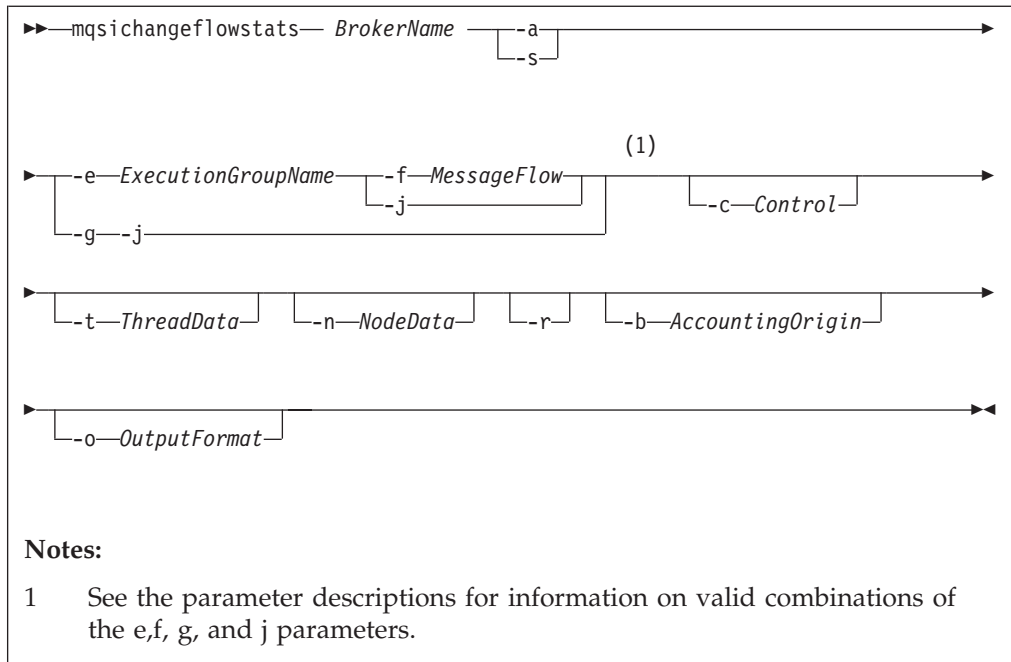
```
mqsichangeflowstats BrokerA -s -g -j -c inactive
```

**mqsichangeflowstats command - z/OS:**

*Syntax:*

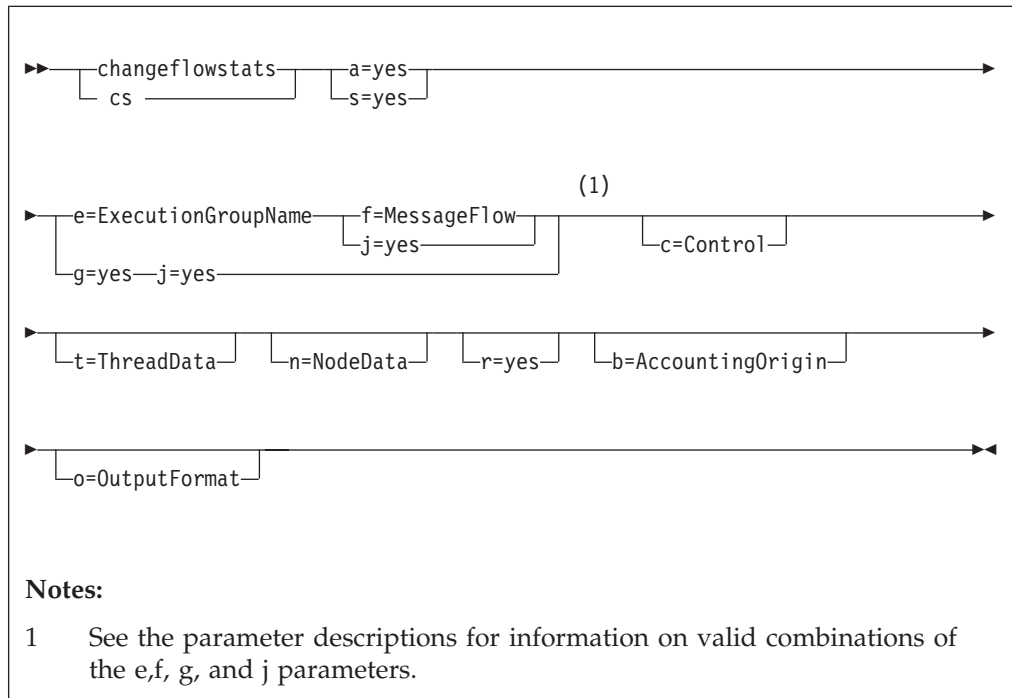
*z/OS command - BIPCHMS:*





*z/OS console command:*

**Synonym:** cs



*Parameters:*

**BrokerName**

(Required) Specify the label of the broker for which accounting and statistics are to be changed.

This parameter is implied on the console form of the command.

- a (Required) Specify that the command modifies archive accounting and statistics collection.

You must specify either **-a** or **-s**. If you do not specify one of these arguments you receive a warning message.

- s (Required) Specify that the command modifies snapshot accounting and statistics collection.

You must specify either **-a** or **-s**. If you do not specify one of these arguments you receive a warning message.

- e *ExecutionGroupName*

(Required) Specify the name for the execution group, for which accounting and statistics options are to be changed.

You must specify either **-e** or **-g**. If you do not specify one of these arguments you receive a warning message.

- f *MessageFlow*

(Required) Specify the label for the message flow, for which accounting and statistics options are to be changed.

You must specify either **-f** or **-j**. If you do not specify one of these arguments you receive a warning message.

- g (Required) Specifies that the command applies to **all** execution groups that belong to the broker.

You must specify either **-e** or **-g**. If you do not specify one of these arguments you receive a warning message.

- j (Required) Specifies that the command applies to **all** message flows that belong to the execution group.

You must specify either **-f** or **-j**. If you do not specify one of these arguments you receive a warning message.

**Note:** If you set the **-g** option for all execution groups, you must use **-j** instead of **-f**.

- c *Control*

(Optional) Specify the string value that controls the level of the action to be applied to accounting and statistics collection for snapshot or archiving.

Possible values are:

- active - turn on snapshot or archiving
- inactive - turn off snapshot or archiving.

- t *ThreadData*

(Optional) Specify a string value to modify the collection of thread statistics data for a message flow. Possible values are:

- none - exclude thread related data from the statistics
- basic - include thread related data in the statistics

- n *NodeData*

(Optional) Specify a string value to modify the collection of node statistics data for a message flow. Possible values are:

- none - exclude node related data in the statistics
- basic - include node related statistics in the statistics
- advanced - include node related and terminal related data in the statistics

- r (Optional) This parameter applies only to archive data and specifies that archive data is to be reset.

This results in the clearing out of accounting and statistics data accumulated so far for this interval, and restarts collection from this point. All archive data for all flows in the execution group, or groups, is reset.

The archive interval timer is only reset if the -v option (*statistics archive interval*) of **mqsicreatebroker** or **mqsichangebroker** is non zero.

That is, the interval timer is set only if the internal interval notification mechanism is being used, and not an external method.

**-b AccountingOrigin**

(Optional) Specifies that the environment tree path *Broker.Accounting.Origin* is used to partition the collected statistics into distinct outputs. Possible values are:

- none - do not partition statistics according to accounting origin data
- basic - partition statistics according to accounting origin data

**-o OutputFormat**

(Optional) Specify the output destination for the statistics reports. Possible values are:

- usertrace - this is the default and writes "bip" messages to usertrace, which can be post processed in the normal way using the **mqsireadlog** and **mqsiformatlog** commands
- xml - the statistics reports are generated as XML documents and published by the broker running the message flow.

The topic on which the data is published has the following structure:

```

$SYS/Broker/<brokerName>/StatisticsAccounting/<recordType>
/<executionGroupLabel>/<messageFlowLabel>

```

where recordType is set to Snapshot or Archive, and broker, execution group, and message flow names are specified according to the subscriber's requirements.

- smf - statistics reports are output as SMF type 117 records.

*Examples:*

Using the command BIPCHMS:

- Turn on snapshot statistics for the message flow "myFlow1" in all execution groups and specify that the data is to be gathered by accounting origin:  

```
mqsichangeflowstats BrokerA -s -g -j -b none
```
- Turn off the collection of archive statistics for message flow "MyFlow1" in execution group "EGRP2" , and at the same time modify the granularity of data that is to be collected ( when next activated ) to include thread related data.  

```
mqsichangeflowstats BrokerA -a -e "EGRP2" -f MyFlow1 -c inactive -t basic
```

The following example uses the console form of the command. Turn on archive accounting for all the message flows in all the execution groups that belong to the broker and output the report as SMF records.

```
F VCP2BRK,CS A=YES,G=YES,J=YES,C=ACTIVE,O=SMF
```

## mqsichangeflowuserexits command

Use the `mqsichangeflowuserexits` command to set the list of active or inactive user exits. A list of active and a list of inactive user exits is maintained for each execution group and message flow. The effective state of user exits for a given flow is decided when the flow starts.

### Supported operating systems:

- Windows
- Linux and UNIX systems
- z/OS. Run this command in one of two ways - as a console command, or by customizing and submitting the BIPCHUE utility; see “Contents of the broker PDSE” on page 640

### Purpose:

The order of precedence is message flow, execution group, and then broker default. The active list takes precedence over the inactive list in the message flow and execution group settings.

If the state for a given user exit is not set for the message flow, its state is taken from the execution group setting. If its state is not set for the message flow or execution group, it takes the default state which is implicitly inactive, or can be explicitly defined as active by the broker property *activeUserExits*, through the `mqsichangebroker` command.

If a particular user exit name is present in both the active and inactive lists for a message flow or execution group, then the active list takes precedence and the user exit is active for that level. Therefore, if you want to change a user exit from active to inactive you must specify it as part of the inactive list, by using the `-i` flag and also remove it from the active list by re-specifying the new active list by using the `-a` flag.

When multiple exits are active for a given flow, they are invoked in a defined order. Those exits in the message flow’s active list are invoked first in the order in which they were specified on the `-a` flag.

After those have been invoked, the exits in the execution group’s active list (which were in neither the message flow’s active nor inactive list) are invoked. These exits are invoked in the order in which they were specified on the `-a` flag.

All user exits that are not mentioned in the execution group’s or message flow’s active or inactive list, but are in the broker’s active list, are invoked in the order in which they were specified when the broker property *activeUserExits* was set.

If any of the user exits specified in either the active or inactive list are not registered for the target execution group, the command fails with a BIP8858 error.

After successful command completion, if a user exit becomes invalid, the following action is taken, depending on which list the user exit appeared in:

- If the user exit was specified in the message flow’s active or inactive list, the flow fails to start and a BIP2315 message is written to system log.
- If the user exit was specified in the execution group’s active or inactive list, the execution group fails to start and a BIP2314 message is written to system log.

A user exit might become invalid for one of the following reasons:

- The broker or execution group is re-started after you change the MQSI\_USER\_EXIT\_PATH variable by removing the directory containing the user exit library.
- The broker or execution group is re-started after you change the *userExitPath* broker property by removing the directory containing the user exit library.
- The user exit library (or one of its dependencies) is removed, or the broker is unable to load it.

Select the appropriate link for details of this command on the platform, or platforms, that your enterprise uses:

- “mqsichangeuserexits command - Windows, Linux, and UNIX systems”
- “mqsichangeuserexits command - z/OS” on page 430

#### Authorization:

On Windows Vista and Windows Server 2008 systems, the user ID used to run this command must be running with elevated privileges on the local system:

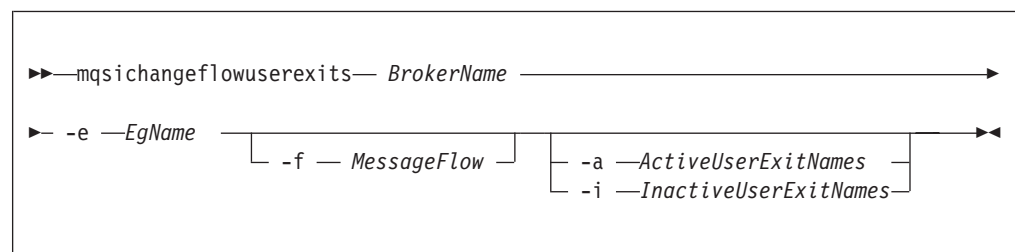
- The user ID must be a member of the group Administrators.
- The command must be started from an environment that has **Run as Administrator** authority.

If you do not run the command from a privileged environment, you are asked to confirm that you want to continue. When you click **OK**, a new privileged command console is created and the command completed, but all responses are written to the privileged environment and are lost when that console closes when the command completes.

On Windows, Linux, and UNIX systems, the user ID that is used to run this command must be a member of the mqbrkr group.

#### mqsichangeuserexits command - Windows, Linux, and UNIX systems:

*Syntax:*



*Parameters:*

#### **BrokerName**

(Required). The name of the broker.

#### **-e EgName**

(Required). The name of the execution group.

#### **-f MessageFlow**

(Optional). The name of the message flow.

If you supply this value, the user exit is changed for that message flow; if you do not, the user exit is set at the execution group level.

**-a** *ActiveUserExitNames*

(Optional). A list of the names, separated by colons, of the active user exits. These are the names registered by the user exits when they were loaded. If any of the user exits listed are not registered for the target execution group, then the command fails with a BIP8858 error.

**-i** *InactiveUserExitNames*

(Optional). A list of the names, separated by colons, of the inactive user exits. These are the names registered by the user exits when they were loaded. If any of the user exits listed are not registered for the target execution group, then the command fails with a BIP8858 error.

*Examples:*

Setting active exits at flow level

```
mqsichangeflowuserexits WBRK_BROKER -e default -f myFlow -a exit2
BIP8071I: Successful command completion.
```

Setting inactive exits at flow level

```
mqsichangeflowuserexits WBRK_BROKER -e default -f myFlow -i exit1
BIP8071I: Successful command completion.
```

Setting active exits at execution group level

```
mqsichangeflowuserexits WBRK_BROKER -e default -a exit3,exit1
BIP8071I: Successful command completion.
```

Setting inactive exits at execution group level

```
mqsichangeflowuserexits WBRK_BROKER -e default -i exit2
BIP8071I: Successful command completion.
```

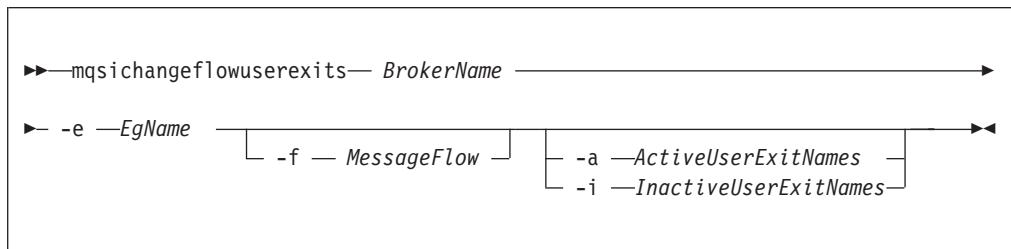
Changing exit1 to inactive and leaving exit2 active at flow level (A command had previously been issued with "-a exit1:exit2" to set them both active)

```
mqsichangeflowuserexits WBRK_BROKER -e default -f myFlow -i exit1 -a exit2
BIP8071I: Successful command completion.
```

**mqsichangeflowuserexits** command - z/OS:

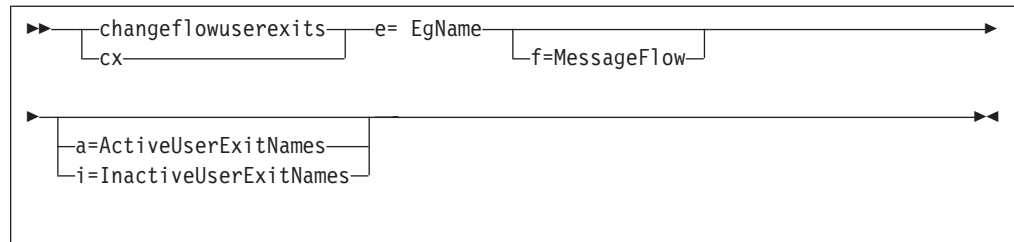
*Syntax:*

*z/OS command - BIPCHUE:*



*z/OS console command:*

**Synonym:** `cx`



*Parameters:*

**BrokerName**

(Required). The name of the broker.

**-e *EgName***

(Required). The name of the execution group.

**-f *MessageFlow***

(Optional). The name of the message flow.

If you supply this value, the user exit is changed for that message flow; if you do not, the user exit is set at the execution group level.

**-a *ActiveUserExitNames***

(Optional). A list of the names, separated by colons, of the active user exits.

These are the names registered by the user exits when they were loaded. If any of the user exits listed are not registered for the target execution group, then the command fails with a BIP8858 error.

**-i *InactiveUserExitNames***

(Optional). A list of the names, separated by colons, of the inactive user exits.

These are the names registered by the user exits when they were loaded. If any of the user exits listed are not registered for the target execution group, then the command fails with a BIP8858 error.

*Examples:*

Setting active exits at flow level

```
mqsischangeuserexits WBRK_BROKER -e default -f myFlow -a exit2
BIP8071I: Successful command completion.
```

Setting inactive exits at flow level

```
mqsischangeuserexits WBRK_BROKER -e default -f myFlow -i exit1
BIP8071I: Successful command completion.
```

Setting active exits at execution group level

```
mqsischangeuserexits WBRK_BROKER -e default -a exit3,exit1
BIP8071I: Successful command completion.
```

Setting inactive exits at execution group level

```
mqsischangeuserexits WBRK_BROKER -e default -i exit2
BIP8071I: Successful command completion.
```

Changing exit1 to inactive and leaving exit2 active at flow level (A command had previously been issued with "-a exit1:exit2" to set them both active)

```
mqsischangeuserexits WBRK_BROKER -e default -f myFlow -i exit1 -a exit2
BIP8071I: Successful command completion.
```

## mqsischangeproperties command

Use the `mqsischangeproperties` command to modify broker properties and properties of broker resources.

### Supported platforms:

- Windows systems.
- Linux and UNIX systems.
- z/OS. Run this command by customizing and submitting the BIPCHPR utility; see “Contents of the broker PDSE” on page 640.

### Purpose:

Use the `mqsischangeproperties` command to change properties that are associated with a broker:

- Properties that affect the whole broker; for example, an HTTP listener
- Properties that affect one or more execution groups; for example, the broker registry
- Properties that affect a configurable service; for example, a JMSProvider, or the broker’s publish/subscribe engine

You can also use the Configuration Manager Proxy (CMP) API to change properties.

Use the `mqsisreportproperties` command to view properties that are associated with a broker.

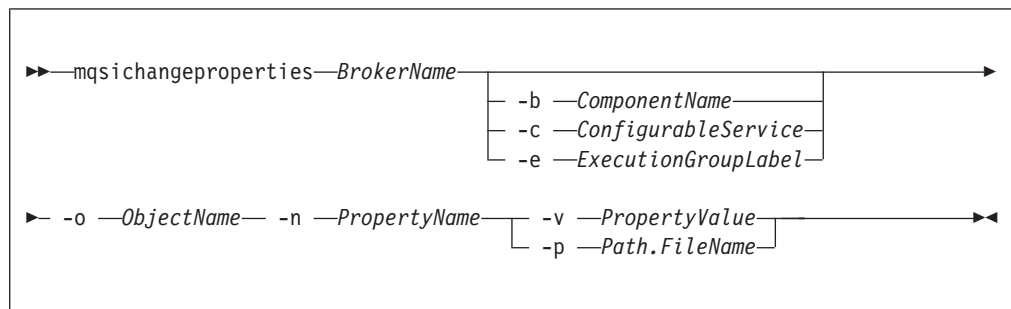
### Usage notes:

Before you run the `mqsischangeproperties` command, ensure that the broker is running.

If you change any value, stop and restart the broker for the change to take effect.

When a message flow that includes HTTP nodes or Web Services support is started, the broker starts the HTTP listener.

### Syntax:



### Parameters:

*BrokerName*

(Required) The name of the broker to modify. This parameter must be the first parameter.



**-b** *ComponentName*

(Optional) The name of the component. Valid values are `httplistener` and `securitycache`.

**-c** *ConfigurableService*

(Optional) The type of configurable service. The type is predefined; for example, `JMSProviders`. You can define additional services of any defined type by using the `mqsicreateconfigurableservice` command.

The valid resource types are listed in “Configurable services properties” on page 438.

**-e** *ExecutionGroupLabel*

(Optional) The label of the execution group for which you want to change properties.

You can specify the special name `AllExecutionGroups` if you also specify either `HTTPConnector` or `HTTPSConnector`. This option changes broker-wide settings that affect SOAP nodes deployed to all execution groups for these objects.

**-o** *ObjectName*

(Required) The name of the object for which you want to change the properties.

You must also specify **-b**, **-e**, or **-c** with **-o**, except if you specify the object name `BrokerRegistry`, or the object name `ComIbmJVMMManager` to change a property related to the heap size.

For compatibility with previous versions, you can also specify the value `ComIbmXmlParserFactory` for the **ObjectName**.

The valid object names are listed in “Configurable services properties” on page 438.

**-n** *PropertyName*

(Required) The name of the property to be changed. The available property names differ according to the component or configurable service that you have specified. All property names start with a lowercase character.

The property values are described in “Configurable services properties” on page 438.

**-v** *PropertyValue*

(Required) The value that is assigned to the property that is specified by the **-n** parameter.

You can specify more than one property name together with a corresponding value, using commas as separators, provided that you use a valid value for the corresponding property; for example, `-n Name1,Name2 -v Value1,Value2`.

Do not leave a space after each comma in the list of names and corresponding values.

Use `""` to specify an empty **PropertyValue** string.

If you set the **-c** parameter to `EISProviders` or `JMSProviders`, and the **-n** parameter to `jarsURL`, the expected value is a URL that specifies the file location of the EIS or JMS provider JAR files, but omits the `file://` part of the URL.

**UNIX** On UNIX, if the **-v** parameter contains a semicolon (`;`), enclose the entire string in quotation marks, as shown in the following example:

```
mqschangeproperties WBRK_BROKER -c JDBCProviders -o DB2EXTRA -n connectionUrlFormat
-v "jdbc:db2://[serverName]:[portNumber]/[databaseName]:user=[user];password=[password];"
```

**-p** *Path.FileName*

(Optional) The location and name of a file from which the command reads the property value. Use this command as an alternative to **-v** where the value of the property is complex and is defined in a file, such as an XML file.

The following conditions apply to the use of this parameter:

- **-p** can be used only to set a single property. Therefore, the **-n** parameter must have a single PropertyName, not a comma separated list.
- Whitespace characters (including line feed, carriage return, and end of file characters) read from the file are preserved by the command.

Use this parameter for policy sets and bindings.

Use this parameter for monitoring profiles; the XML file must conform to the monitoring profile schema.

For detailed information about valid components, configurable services, object names, properties, and values, select the appropriate topic:

- “Broker registry object parameter values” on page 437
- “Configurable services properties” on page 438
- “HTTPConnector and HTTPSCconnector parameter values (SOAP node connections)” on page 453
- “httplistener component parameter values” on page 455
- “Inter-broker communications parameter values (collectives)” on page 457
- “Inter-broker communications parameter values (clones)” on page 458
- “JVM parameter values” on page 458
- “Real-time nodes parameter values” on page 459
- “securitycache component parameter values” on page 465
- “WSRR parameter values” on page 465

**Authorization:**

On Windows XP and Windows Server 2003 systems, the user ID used to run this command must be a member of the group Administrators on the local system.

On Windows Vista and Windows Server 2008 systems, the user ID used to run this command must be running with elevated privileges on the local system:

- The user ID must be a member of the group Administrators.
- The command must be started from an environment that has **Run as Administrator** authority.

If you do not run the command from a privileged environment, you are asked to confirm that you want to continue. When you click **OK**, a new privileged command console is created and the command completed, but all responses are written to the privileged environment and are lost when that console closes when the command completes.

On Linux and UNIX systems, the user ID that is used to run this command must be a member of the mqbrkrs group.

Additionally, the broker requires the following authority for the supported multicast protocols:

### PGM/IP

The broker requires:

- **Linux** **UNIX** root authority on Linux and UNIX systems
- **Windows** Administrator authority on Windows systems
- **z/OS** root authority (UNIX System Services only) on z/OS

### PGM/UDP

The broker requires User authority on all supported platforms.

**PTL** The broker requires User authority on all supported platforms.

### Examples:

Always enter the command on a single line; in some examples, a line break has been added to enhance readability.

### Changes to broker components

The following examples specify the **-b** parameter to identify a particular broker component.

- Enable the HTTPConnector for the HTTP nodes deployed to the specified broker:

```
mqschangeproperties TEST -b httpListener -o HTTPListener -n enableSSLConnector -v true
```

- Change the default SSL protocol from SSLv3 to TLS for the HTTP nodes that are deployed to the specified broker:

```
mqschangeproperties TEST -b httpListener -o HTTPConnector -n sslProtocol -v TLS
```

- Change the securitycache timeout to 200 seconds:

```
mqschangeproperties TEST -b securityCache -o SecurityCache -n cacheTimeout -v 200
```

### Changes to properties associated with execution groups

The following examples include the **-e** parameter to specify the execution group to change.

- Change the clientPingInterval to 200 for a cloned broker:

```
mqschangeproperties TEST -e default -o DynamicSubscriptionEngine -n clientPingInterval -v 200
```

- Enable multicast for a cloned broker:

```
mqschangeproperties TEST -e default -o DynamicSubScriptionEngine -n multicastEnabled -v true
```

- Set the port number when changing properties for execution groups:

```
mqschangeproperties TEST -e exgroup1 -o HTTPConnector -n explicitlySetPortNumber -v 7777
```

- Set the JVM port number to activate message flow debugging:

```
mqschangeproperties TEST -e exgroup1 -o ComIbmJVMMManager -n jvmDebugPort -v 8018
```

- Set the type of server keystore:

```
mqschangeproperties TEST -e AddressSampleProvider -o ComIbmJVMMManager -n keystoreType -v JKS
```

### Changes to the BrokerRegistry object

- Set the HTTPConnector Port Range in the broker registry:

```
mqschangeproperties BRKR1 -o BrokerRegistry -n httpConnectorPortRange -v 7777-8888
```

### Changes to configurable services

The following examples include the `-c` parameter to specify the type of configurable service to change.

- Change the location of the JAR files for the IBM WebSphere MQ JMS client:

```
mqschangeproperties WBRK6_DEFAULT_BROKER -c JMSProviders -o WebSphere_MQ
-n jarsURL -v file://D:\SIBClient\Java
```

- Change the value of the properties `proprietaryAPIAttr2` and `proprietaryAPIAttr3` for a user-defined JMS provider configurable service definition called `BEA_Weblogic`, where the properties represent the URL of the BEA WebLogic bindings and the DNS name of the JMS Server:

```
mqschangeproperties WBRK6_DEFAULT_BROKER -c JMSProviders -o BEA_Weblogic
-n proprietaryAPIAttr2, proprietaryAPIAttr3
-v t3://9.20.94.16:7001,BEAServerName
```

- Enable TFIM identity mapping:

```
mqschangeproperties WBRK6_DEFAULT_BROKER -c SecurityProfiles -o MyFirstSecurityProfile
-n mapping,mappingConfig -v TFIM,http://tfimhost1.ibm.com
```

- When you create a policy set, its properties are always set to default values. Use this command to change the property values.

Import a policy set to a broker from a file:

```
mqschangeproperties WBRK_BROKER -c PolicySets -o Policy_2
-n ws-security -p policysset.xml
```

This command reads file `policysset.xml` and sets its contents as `Policy_2` in broker `WBRK_BROKER`. The command is used to move policy sets between brokers, or to restore from a backup.

- Import a policy set bindings to a broker from a file:

```
mqschangeproperties WBRK_BROKER -c PolicySetBindings -o Bindings_2
-n ws-security -p bindings.xml
```

This command reads file `bindings.xml` and sets its contents as `Bindings_2` in broker `WBRK_BROKER`. The command is used to move policy set bindings between brokers, or to restore from a backup.

- Make the JAR files and shared libraries available to the WebSphere Adapter for SAP:

```
mqschangeproperties WBRK6_DEFAULT_BROKER -c EISProviders -o SAP -n jarsURL,nativeLibs
-v c:\sapjco\jars,c:\sapjco\bin
```

- Update the security identity for the JDBCProvider service for Oracle:

```
mqschangeproperties WBRK6_DEFAULT_BROKER -c JDBCProviders -o Oracle -n securityIdentity
-v OracleDSN
```

`OracleDSN` is the DSN with which you have associated a user ID and password using the `mqsisetdbparms` command.

- Change the connection expiry time on TCPIPServer connections to 30 seconds:

```
mqschangeproperties WBRK_BROKER -c TCPIPServer -o ServerPort1452
-n ExpireConnectionSec -v 30
```

- Update the TCPIPClient configurable service so that it does not make any client connections until they are required:

```
mqschangeproperties WBRK_BROKER -c TCPIPClient -o ClientPort1452HostnameJsmith
-n MinimumConnections -v 0
```

- Set the properties of monitoring profile 'mp1' by using the contents of file `mp1.xml`:

```
mqschangeproperties WBRK_BROKER -c MonitoringProfiles -o mp1 -n profileProperties -p mp1.xml
```

- Disable the broker's publish/subscribe engine so that the WebSphere MQ queue manager controls all publish/subscribe application messages and operations:

```

| mqsichangeproperties WBRK61_DEFAULT_BROKER -c PublishSubscribe -o Interface -n psmode -v disabled
|
|           You can disable the broker's publish/subscribe engine only if you have installed
|           WebSphere MQ Version 7.0 on this computer. If you run this command, and
|           Version 6.0 is installed, the command completes, but has no effect.
|
|           • Enable the broker's publish/subscribe engine to handle all application messages
|           and operations:
|
| mqsichangeproperties WBRK61_DEFAULT_BROKER -c PublishSubscribe -o Interface -n psmode -v enabled
|
|           • Change all connections that are used by the adapter mySAPAdapter.outadapter.
|           After you run this command, all adapters connect to the production system
|           (production.sap.ibm.com) instead of the test system (test.sap.ibm.com).
|
| mqsichangeproperties WBRK61_BROKER -c SAPConnection -o mySAPAdapter -n applicationServerHost -v production.sap.ibm.com
|
|           • Change all the nodes that are configured to use the myIMSConnectService
|           configurable service. After you run this command, all nodes connect to the
|           production system (production.ims.ibm.com) instead of the test system
|           (test.ims.ibm.com).
|
| mqsichangeproperties WBRK61_BROKER -c IMSConnect -o myIMSConnectService -n Hostname -v production.ims.ibm.com

```

### Broker registry object parameter values:

Select the names of the properties and values that you want to change for the broker registry object.

To change these properties, you must specify the broker name and the **ObjectName** BrokerRegistry. You do not have to specify **-b**, **-c**, or **-e** to change properties associated with this object.

The following properties and values are valid:

#### **-n brokerKeystorePass**

The password used to access the server certificate from the specified keystore file.

Set the password by using `mqsisetdbparms` when the broker is stopped.

- Value type - string
- Initial value - `brokerKeystore::password`

#### **-n brokerKeystoreFile**

The path to the keystore file where the server certificate, which is to be loaded, has been stored. The HTTP listener expects a file with the default name `.keystore` in the home directory of the user who started the broker.

- Value type - string
- Initial value - *default value* (described previously)

#### **-n brokerKeystoreType**

The type of keystore file to be used for the server certificate.

- Value type - string
- Initial value - `JKS`

#### **-n brokerTruststorePass**

The password used to access the server certificate from the specified keystore file.

Set the password by using `mqsisetdbparms` when the broker is stopped.

- Value type - string
- Initial value - `brokerKeystore::password`

**-n brokerTruststoreFile**

The path to the keystore file where the server certificate, which is to be loaded, has been stored. The HTTP listener expects a file with the default name .keystore in the home directory of the user who started the broker.

- Value type - string
- Initial value - *default value* (described previously)

**-n brokerTruststoreType**

The type of keystore file to be used for the server certificate.

- Value type - string
- Initial value - JKS

**-n httpConnectorPortRange**

The numeric range of ports available to the HTTPConnector object that is associated with SOAP nodes.

- Value type - integer
- Initial value - 7800-7842

**-n httpsConnectorPortRange**

The numeric range of ports available to the HTTPSConnector object that is associated with SOAP nodes.

- Value type - integer
- Initial value - 7843-7884

See the “mqsicchangeproperties command” on page 432 for examples of how to change BrokerRegistry parameters. Other examples are provided for particular tasks:

- Viewing and setting keystore and truststore runtime properties at broker level
- Accessing a secure WebSphere Service Registry and Repository

**Configurable services properties:**

The supplied configurable services, and those that you create, are defined by their names and properties.

You can use the supplied services, and you can create your own configurable services by using the mqsicreateconfigurable service command. You can also delete services that you have created by using the mqsideleteconfigurable service command.

If you want to change the properties for a configurable service, use the mqsicchangeproperties command and specify the broker name and **-c ConfigurableService**. You must also set the **ObjectName** to the name of the service for which you want to change properties; the name can be a predefined name (one of those shown for the service type in the following table), or the name of a configurable service that you have created yourself. See the “mqsicchangeproperties command” on page 432 for examples of its use.

To display one or more of the defined configurable services, use the mqsi reportproperties command. The following example displays all configurable services that are available for a single broker:

```
mqsi reportproperties brokerName -c AllTypes -o AllReportableEntityNames -r
```

Specify the appropriate parameters from those shown in the following tables on the mqsicchangeproperties and mqsi reportproperties commands:

- Specify **-c** to identify the configurable service type.
- Specify **-o** to identify the name of the service.
- Specify **-n** to identify the properties of the service.
- Specify **-v** to identify the values of the properties specified.

Table 2. *EISProviders configurable service type*

Supplied configurable services that are created for each broker	Properties for each configurable service that is defined	Description of properties
PeopleSoft SAP Siebel Twineball	jarsURL	A URL that specifies the file location of the EIS provider JAR files. Omit <code>file://</code> from the URL. If you do not set the <b>-n</b> parameter on the <code>mqsicreateconfigurableservice</code> command, the default location for the EIS provider JAR files is the broker's shared-classes directory.
	nativeLibs	The file location of any EIS provider native libraries. If you do not set the <b>-n</b> parameter on the <code>mqsicreateconfigurableservice</code> command, the default location for any EIS provider native libraries is the broker's <code>LilPath</code> .

Table 3. *FtpServer configurable service type*

Supplied configurable services that are created for each broker	Properties for each configurable service that is defined	Description of properties
None	accountInfo	Some FTP servers require an account name during the FTP logon procedure. If this property is specified, its value is the account name that is supplied when it is requested during FTP logon. If this property is not specified, and the server requests an account name, the FTP transfer fails.
	scanDelay	The period of time, in seconds, to wait after a scan of the directory results in no files being identified for processing. The default is 60 seconds. If it is set, this property overrides the Scan delay property on the <b>FTP</b> tab of the FileInput node that uses this service.
	transferMode	The transfer mode of the FTP connection: <b>BINARY</b> (the default) or <b>ASCII</b> . If it is set, this property overrides the Transfer mode property on the <b>FTP</b> tab of the FileInput or FileOutput node that uses this service.
	connectionType	The FTP data socket connection: <b>ACTIVE</b> or <b>PASSIVE</b> .
	remoteDirectory	The relative or absolute directory name on the remote FTP server. If it is set, this property overrides the Server directory property on the <b>FTP</b> tab of the FileInput or FileOutput node that uses this service.
	securityIdentity	The name of a security identity that is defined using the <code>mqsisetdbparms</code> command. If it is set, this property overrides the Security identity property on the <b>FTP</b> tab of the FileInput or FileOutput node that uses this service. If the value of this property is <code>secId</code> , you must use the following command to define the security identity: <code>mqsisetdbparms -n ftp::secId -u userName -p password</code>

Table 3. FtpServer configurable service type (continued)

Supplied configurable services that are created for each broker	Properties for each configurable service that is defined	Description of properties
	serverName	The internet address and, optionally, port number for the remote FTP server. The syntax for the property is identical to that permitted for the FTP server and port property of the FileInput and FileOutput nodes (except it cannot be the name of an FtpServer configurable service).

Table 4. JDBCProviders configurable service type

Supplied configurable services that are created for each broker	Properties for each configurable service that is defined	Description of properties
DB2 Informix Informix_With_Date_Format Microsoft_SQL_Server Oracle Sybase_JConnect6_05	connectionUrlFormat	A pattern that represents the connection URL definition, which is specific to a particular database type. For example, the pattern for DB2 is defined with the following content: <pre>jdbc:db2://[serverName]:[portNumber]/[databaseName]:user=[user];password=[password];</pre> Do not use the mqsichangeproperties command to change the pattern itself; changes made to the pattern might cause unpredictable results.
	connectionUrlFormatAttr1 connectionUrlFormatAttr2 connectionUrlFormatAttr3 connectionUrlFormatAttr4 connectionUrlFormatAttr5	If the specified URL format contains non-standard JDBC data source properties, such as a server identifier, specify one of five general purpose connection attributes to define these additional properties.  For example, if connectionURLFormat = <pre>jdbc:oracle:thin:[user]/[password]@[serverName]:[portNumber]:[connectionUrlFormatAttr1]</pre> , connectionUrlFormatAttr1 must contain an Oracle server identifier, which you must supply by defining the value for the property connectionUrlFormatAttr1 on the mqsicreateconfigurableservice or mqsichangeproperties command. The broker can then substitute all the required values into the required pattern.
	databaseName	The name of the database to which the data source entry enables connections; for example, employees.
	databaseType	The database type, for example, DB2.
	databaseVersion	The database version; for example, 8.1.
	description	An optional property to describe the data source definition.
	jarsURL	The local directory path on the system on which the broker is running, where the JAR file that contains the type 4 driver class is located.
	portNumber	The port number on which the database server is listening; for example, 50000.



Table 4. JDBCProviders configurable service type (continued)

Supplied configurable services that are created for each broker	Properties for each configurable service that is defined	Description of properties
	securityIdentity	<p>A unique security key to perform a second broker registry lookup to find an entry under the broker's DSN entries, which store the encrypted password for the user on their associated host system; for example, jdbc::mysecurityIdentity. Use the mqsisetdbparms command to create a new DSN entry , as described in "Securing a JDBC type 4 connection" on page 144.</p> <p>The DSN entry provides a user ID and password value pair, which are used to access the specified data source for a given JDBC provider entry. This property is ignored if the connection URL does not contain both a user ID and password pair, which require property values to be substituted for such inserts. If the securityIdentity is blank or left as the default (default_User@default_Server), but it is required for the connection URL pattern, or if a valid unique security identity key is entered and it cannot be found under the DSN key, the DataSourceUserId and DataSourcePassword properties under which the broker was created are used.</p> <p><b>z/OS</b> On z/OS, you must specify a user ID and password with appropriate authorization to access the database. Do not use the broker started task user ID for this purpose. (You should assign a password to a started task user ID only after considering all of the potential security ramifications.)</p>
	serverName	The name of the server; for example, host1.
	type4DatasourceClassName	The name of the JDBC Type 4 datasource class name that is used to establish a type 4 connection to a remote database and for coordinated transaction support; for example, com.ibm.db2.jcc.DB2XADataSource.
	type4DriverClassName	The name of the JDBC driver class name that is used to establish a connection; for example, com.ibm.db2.jcc.DB2Driver.

Table 5. JMSProviders configurable service type

Supplied configurable services that are created for each broker	Properties for each configurable service that is defined	Description of properties
ActiveMQ BEA_Weblogic FioranoMQ Generic_File Generic_LDAP JBoss JOnAS Joram OpenJMS Oracle_OEMS SeeBeyond SonicMQ SwiftMQ Tibco_EMS WebSphere_MQ WebSphere_WAS_Client	jarsURL	A URL that specifies the file location of the JMS provider JAR files. Omit file:// from the URL. If you do not set the <b>-n</b> parameter on the <code>mqscreateconfigurableservice</code> command, the default location for the JMS provider JAR files is the broker's shared-classes directory.
	nativeLibs	The file location of any JMS provider native libraries. If you do not set the <b>-n</b> parameter on the <code>mqscreateconfigurableservice</code> command, the default location for any JMS provider native libraries is the broker's <code>LilPath</code> .
	proprietaryAPIHandler	The name of the IBM-supplied Java class to interface with a JMS provider's proprietary API.
	proprietaryAPIAttr1 proprietaryAPIAttr2 proprietaryAPIAttr3 proprietaryAPIAttr4 proprietaryAPIAttr5	These attributes are optional. If you configure any of these, they might be used on one or more method calls to the vendor proprietary API. The usage of these attributes is specific to a vendor interface and their meaning is determined by the IBM proprietary API Handler.

Table 6. MonitoringProfiles configurable service type

Supplied configurable services that are created for each broker	Properties for each configurable service that is defined	Description of properties
DefaultMonitoringProfile	profileProperties	The name of the monitoring profile. The monitoring options defined by the monitoring profile can be configured with an XML file that conforms to the monitoring profile schema.

Table 7. PolicySet Bindings configurable service type

Supplied configurable services that are created for each broker	Properties for each configurable service that is defined	Description of properties
WSS10Default	associatedPolicySet	The name of the policy set configurable service with which this policy set binding is associated. This value is set by the Policy Set editor when an association is defined. If you are restoring a policy set and binding by using the <code>mqschangeproperties</code> command, ensure that this command refers to the correct associated policy set.
	config	Reserved for future use.

Table 7. PolicySet Bindings configurable service type (continued)

Supplied configurable services that are created for each broker	Properties for each configurable service that is defined	Description of properties
	ws-security	The content of the policy set binding. The content is edited with the Policy Sets and Policy Set Bindings editor and can be backed up and restored by using the <b>-p</b> parameter on the mqsireportproperties and mqsichangeproperties commands.

Table 8. PolicySets configurable service type

Supplied configurable services that are created for each broker	Properties for each configurable service that is defined	Description of properties
WSS10Default	config	Reserved for future use.
	ws-security	The content of the policy set. The content is edited with the Policy Sets and Policy Set Bindings editor and can be backed up and restored by using the <b>-p</b> parameter on the mqsireportproperties and mqsichangeproperties commands.

Table 9. PublishSubscribe configurable service type

Supplied configurable services that are created for each broker	Properties for each configurable service that is defined	Description of properties
Interface	psmode	Indicates whether the broker's publish/subscribe engine is enabled or disabled. The initial value is set to enabled. Set this value to disabled if you want the broker's queue manager to handle all publish/subscribe application messages and operations.

Table 10. SMTP configurable service type

Supplied configurable services that are created for each broker	Properties for each configurable service that is defined	Description of properties
None	serverName	The name of the server; for example, host1.
	securityIdentity	The name of a security identity that is defined using the mqsisetdbparms command.

Table 11. SecurityProfiles configurable service type

Supplied configurable services that are created for each broker	Properties for each configurable service that is defined	Description of properties
Default_Propagation	authentication	NONE LDAP TFIM A user-defined value
	authenticationConfig	A provider-specific configuration string.

Table 11. SecurityProfiles configurable service type (continued)

Supplied configurable services that are created for each broker	Properties for each configurable service that is defined	Description of properties
	authorization	NONE LDAP TFIM A user-defined value
	authorizationConfig	A provider-specific configuration string.
	mapping	NONE TFIM A user-defined value
	mappingConfig	A provider-specific configuration string.
	passwordValue	PLAIN MASK OBFUSCATE
	propagation	TRUE FALSE

Table 12. Service Registries configurable service type

Supplied configurable services that are created for each broker	Properties for each configurable service that is defined	Description of properties
DefaultWSRR	connectionFactoryName	The name of the WSRR WebSphere Application Server JMS provider JMS connection factory for Cache Notifications. The default value is jms/SRConnectionFactory.
	enableCacheNotification	The default value is False. Select True to enable WebSphere Message Broker WSRR Cache Notification.
	endpointAddress	The location or endpoint of the WSRR server. The default value is http://host_name:9080/WSRRCoreSDO/services/WSRRCoreSDOPort
	initialContextFactory	The name of the WSRR WebSphere Application Server JMS provider JMS context factory for Cache Notifications. The default value is com.ibm.websphere.naming.WsnInitialContextFactory
	locationJNDIBinding	The URL to the WebSphere Application Server JMS provider JNDI bindings. The default value is iiop://host_name:2809/
	needCache	The default value is True, indicating that the WebSphere Message Broker WSRR cache is enabled.
	predefinedCacheQueries	A list of semicolon-separated queries with which to initialize the WebSphere Message Broker WSRR cache. This query is defined by the WSRR query language.
	refreshQueriesAfter Notification	When a notification is received from WSRR, if refreshQueriesAfterNotification is set to True, the Cache is updated with the new version of the object immediately; if it is set to False, the Cache is updated on the next request. The default value is True.
	subscriptionTopic	The topic name that is used to receive WebSphere Application Server JMS provider Cache Notifications. The default value is jms/SuccessTopic.

Table 12. Service Registries configurable service type (continued)

Supplied configurable services that are created for each broker	Properties for each configurable service that is defined	Description of properties
	timeout	The cache expiry time in milliseconds. The default value is 10000000, which is approximately 166 minutes.

Table 13. TCPIPServer configurable service type

Supplied configurable services that are created for each broker	Properties for each configurable service that is defined	Description of properties
Default	Port	The port number to be used for this configurable service. The default is 0, which means no port number. This means that, by default, the configurable service is disabled and the value of the port provided on the node is used instead.  A port number can be assigned to only one configurable service at a time; if you try to assign a port number to more than one configurable service, an error occurs.
	MaximumConnections	The maximum number of server connections that can be made on this port. The default value is 100.
	MaxReceiveRecordBytes	The maximum size a record can reach before an exception is thrown. The default value is 104,857,600, which means that, by default, the broker accepts messages with a maximum size of 100 MB. The record size is taken to be the size of the data including any delimiters.
	ExpireConnectionSec	The length of time (in seconds) that a connection is kept open without being used. The value can be any integer. A value of 0 causes the connection to be closed immediately, and a value of -1 causes the connection to remain open indefinitely (no expiry).
	SO_RCVBUF	Sets the size (in bytes) of the SO_RCVBUF on the socket. Valid values vary according to the platform you are using. This is a standard TCP/IP property. The default value is 0, which sets the size of the SO_RCVBUF to the platform default.
	SO_SNDBUF	Sets the size (in bytes) of the SO_SNDBUF on the socket. Valid values vary according to the platform you are using. This is a standard TCP/IP property. The default value is 0, which sets the size of the SO_SNDBUF to the platform default.
	SO_KEEPALIVE	Sets the value of KEEPALIVE on the socket. If the value is set to True, the socket checks that it is still connected after a specified time. The length of time depends on the TCP/IP implementation on the platform, but is typically two hours. Keep alive processing works only if the underlying platform supports SO_KEEPALIVE. This is a standard TCP/IP property. The default value is False, which means that no keep alive processing is performed.
	TCP_NODELAY	Sets the value of TCP_NODELAY on the socket. If the value is set to True, the socket sends data as soon as it is sent to its buffer. The default value is False.

Table 13. TCIPServer configurable service type (continued)

Supplied configurable services that are created for each broker	Properties for each configurable service that is defined	Description of properties
	TrafficClass	Sets the traffic class on any connection that is established. Valid values are positive integers. The default value is -1, which leaves the TrafficClass set to the platform default.
	SO_LINGER	Sets SO_LINGER on any connection that is established. This is a standard TCP/IP property. The default value is False.
	SO_LINGER_TIMEOUT_SEC	Sets the SO_LINGER_TIMEOUT_SEC on any connection that is established. This is a standard TCP/IP property. Valid values are positive integers. The default value is -1, which leaves the SO_LINGER_TIMEOUT_SEC value set to the platform default.

Table 14. TCIPClient configurable service type

Supplied configurable services that are created for each broker	Properties for each configurable service that is defined	Description of properties
Default	Hostname	The hostname of the remote system to connect to using a client connection. A valid value is any IP address or computer name. You cannot change this value if there is already a configurable service with this name using the same port (unless the port is set to 0).
	Port	The port number to be used for this configurable service. The default is 0, which means no port number. This means that, by default, the configurable service is disabled and the value of the port provided on the node is used instead.  A port number can be assigned to only one configurable service at a time; if you try to assign a port number to more than one configurable service, an error occurs.
	MinimumConnections	The minimum number of client connections made by the broker. The broker attempts to establish this number of connections even if no flows are using the connections. The default value is 0, which means that the broker does not make any client connections until they are required.
	MaximumConnections	The maximum number of client connections that can be made on this port. The default value is 100, which means that, by default, the broker will accept up to 100 server connections.
	MaxReceiveRecordBytes	The maximum size a record can reach before an exception is thrown. The default value is 104,857,600, which means that, by default, the broker accepts messages with a maximum size of 100 MB. The record size is taken to be the size of the data including any delimiters.

Table 14. TCIPClient configurable service type (continued)

Supplied configurable services that are created for each broker	Properties for each configurable service that is defined	Description of properties
	ExpireConnectionSec	The length of time (in seconds) that a connection is kept open without being used. The value can be any integer. A value of 0 causes the connection to be closed immediately, and a value of -1 causes the connection to remain open indefinitely (no expiry).
	SO_RCVBUF	Sets the size (in bytes) of the SO_RCVBUF on the socket. Valid values vary according to the platform you are using. This is a standard TCP/IP property. The default value is 0, which sets the size of the SO_RCVBUF to the platform default.
	SO_SNDBUF	Sets the size (in bytes) of the SO_SNDBUF on the socket. Valid values vary according to the platform you are using. This is a standard TCP/IP property. The default value is 0, which sets the size of the SO_SNDBUF to the platform default.
	TCP_NODELAY	Sets the value of TCP_NODELAY on the socket. If the value is set to True, the socket sends data as soon as it is sent to its buffer. The default value is False.
	TrafficClass	Sets the traffic class on any connection that is established. Valid values are positive integers. The default value is -1, which leaves the TrafficClass set to the platform default.
	SO_LINGER	Sets SO_LINGER on any connection that is established. This is a standard TCP/IP property. The default value is False.
	SO_LINGER_TIMEOUT_SEC	Sets the SO_LINGER_TIMEOUT_SEC on any connection that is established. This is a standard TCP/IP property. Valid values are positive integers. The default value is -1, which leaves the SO_LINGER_TIMEOUT_SEC value set to the platform default.

Table 15. SAPConnection configurable service type

Supplied configurable services that are created for each broker	Properties for each configurable service that is defined	Description of properties
None	applicationServerHost	Specifies the IP address or the name of the application server host to which the adapter logs on. This property is mandatory; you must set the value to a valid SAP server host name or IP address.
	gatewayHost	The host name of the SAP gateway. This property is not mandatory. The default value is an empty string, which signifies that a SAP gateway is not used when the adapter connection is made.
	gatewayService	The identifier of the gateway on the gateway host that carries out the RFC services. This property is not mandatory. The default value is an empty string, which signifies that a SAP gateway service is not used when the adapter connection is made. Enter a valid SAP gateway server identifier.
	client	The client number of the SAP system to which the adapter connects. This property is not mandatory; if you do not specify a value for this property, the default value is 100, which matches the default SAP client. Set this property to the required SAP client number, which is a three-digit integer in the range 000 to 999.
	systemNumber	The system number of the SAP application server. This property is not mandatory; if you do not specify a value for this property, the default value is 00, which matches the default SAP system number. Set this property to the required SAP system number, which is a two-digit integer in the range 00 to 99.
	RFCTraceLevel	<p>Specifies the global trace level. This property is not mandatory; if you do not specify a value for this property, the default value is 1, which is the standard trace level.</p> <ul style="list-style-type: none"> <li>• The default value is 1, which indicates that SAP JCo Java API logging occurs.</li> <li>• If you set this value to 3, SAP JCo JNI API logging occurs.</li> <li>• If you set this value to 5, error diagnostic logging occurs.</li> </ul>
	RFCTracePath	Sets the fully qualified local path to the folder into which the RFC trace files are written. This property is mandatory only if the RFCTraceOn property is set to true. By default, value of this property is an empty string, therefore, when RFCTraceOn is set to true, you must set a valid path for the RFCTracePath.
	RFCTraceOn	Specifies whether to generate a text file detailing the RFC activity for each event listener. This property is not mandatory and the default value is false. Set this property to true to enable RFC trace.



Table 16. IMSConnect configurable service type

Supplied configurable services that are created for each broker	Properties for each configurable service that is defined	Description of properties
None	Hostname	The host name of the computer on which the IMS Connect instance is running. This property is mandatory; if you leave it blank, the node cannot connect to IMS Connect.
	PortNumber	The port number on which the IMS Connect instance is listening. This value must be a positive integer. This property is mandatory; if you leave it blank, the node cannot connect to IMS Connect.
	DataStoreName	The data store name against which the IMS Connect instance is running. This property is not mandatory, but if you do not set it, an exception is issued by any node that attempts to use this configurable service.
	SocketTimeoutSec	<p>The socket timeout is the maximum amount of time that the IMS Connector for Java waits for a response from IMS Connect before it disconnects the socket and returns an exception to WebSphere Message Broker. If network problems or routing failures occur, this property prevents the client that is using the IMS resource adapter from waiting indefinitely for a response from IMS Connect. This property is based on the TCP/IP sockets that IMS Connect and the IMS resource adapter use to communicate, so it is not applicable with the Local option. This property is not mandatory, and the default value is 0 (zero), indicating that the socket never times out. You can enter any valid integer in the range 0 to 2147483.</p> <p>You set the socket timeout independently of the execution timeout on the configurable service. The socket timeout is used to respond to network problems (such as a loss of connection), while the execution timeout is used to recover from a non-responsive IMS program. The socket timeout is typically longer than the execution timeout.</p>
ExecutionTimeoutSec	The execution timeout is the maximum amount of time that the IMS Connector for Java waits for a response from a transaction. This property is not mandatory, and the default value is 60, indicating that the IMS Connector for Java waits for 60 seconds. You can enter any valid integer in the range 1 to 2147483.	

*FtpServer configurable service properties:*

Select the properties and values that you want to change for an existing FtpServer configurable service or to create a new service.

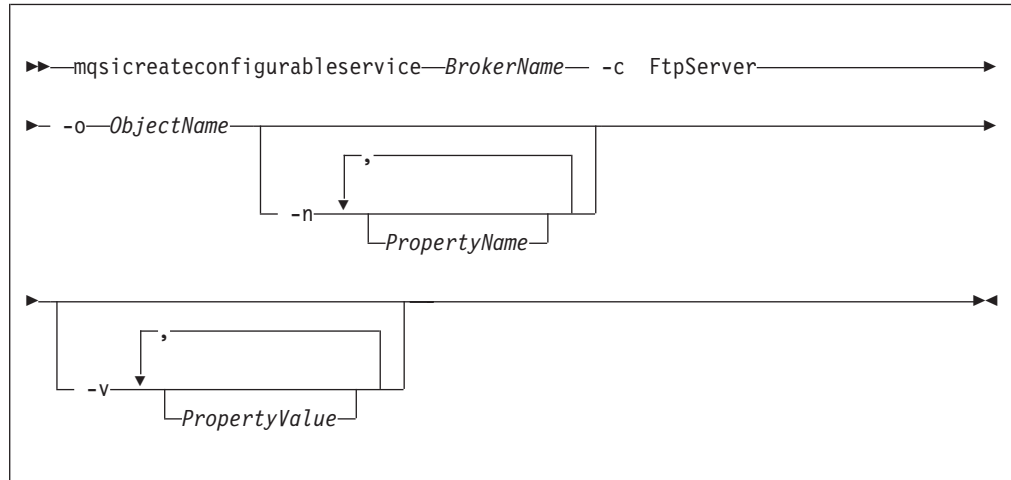
To change these properties, you must specify the broker name and **-c FtpServer**.

You must also set the **ObjectName** to the name of the configurable service that you have previously created.

See the “mqsichangeproperties command” on page 432 for examples of its use.

If you define an FtpServer configurable service by using the `mqsicreateconfigurableservice` command, you can then specify the name of this configurable service in the FTP server and port property on **FTP** tab of the FileInput and FileOutput nodes.

To create an FtpServer configurable service, the command has the following syntax:



where *Objectname* is the name of the configurable service and *PropertyName* is one or more of the properties described in this topic.

If you define an FtpServer configurable service, you **must** specify a value for its `serverName` property. All the other properties are optional.

#### **serverName**

The internet address and, optionally, port number for the remote FTP server. The syntax for the property is identical to that permitted for the FTP server and port property of the FileInput and FileOutput nodes (except it cannot be the name of an FtpServer configurable service).

#### **accountInfo**

Some FTP servers require an account name during the FTP logon procedure. If this property is specified, its value is the account name supplied when requested during FTP logon. If this property is not specified and the server requests an account name, the FTP transfer will fail.

#### **scanDelay**

The period of time, in seconds, to wait after a scan of the directory has resulted in no files having been identified for processing. The default is 60 seconds. If set, this property overrides Scan delay on the **FTP** tab of the FileInput node which uses this service.

#### **transferMode**

The transfer mode of the FTP connection. This is either `BINARY` or `ASCII`. The default is `BINARY`. If set, this property overrides Transfer mode on the **FTP** tab of the FileInput or FileOutput node which uses this service.

#### **connectionType**

The FTP data socket connection. This is either `ACTIVE` or `PASSIVE`.

#### **remoteDirectory**

The relative or absolute directory name on the remote FTP server. If set, this property overrides Server directory on the **FTP** tab of the FileInput or FileOutput node which uses this service.

## securityIdentity

The name of a security identity defined using the `mqsisetdbparms` command. If set, this property overrides Security identity on the **FTP** tab of the FileInput or FileOutput node which uses this service. If the value of this property is `secId`, you must define the security identity using the following command:

```
mqsisetdbparms -n ftp::secId -u userName -p password
```

By default, none of these properties in the FtpServer configurable service definition is set. The only mandatory property when you define an FtpServer configurable service is `serverName`.

The following example of a `mqsicreateconfigurableservice` command shows how to create an FtpServer configurable service:

```
mqsicreateconfigurableservice WBRK6_DEFAULT_BROKER -c FtpServer -o Server01  
-n serverName,scanDelay,transferMode,connectionType,securityIdentity  
-v one.hursley.abc.com:123,20,ACTIVE,secId
```

With the exception of the `accountInfo` and `connectionType` properties which you can only set on an FtpServer configurable service definition, you can set these properties either on an FtpServer configurable server definition or on the **FTP** tab of the FileInput and FileOutput nodes. Values set in properties in the FtpServer configurable service definition override the values set in the corresponding properties in the FileInput and FileOutput nodes.

If you set the `accountInfo` property, it is used during the login protocol when connecting to the FtpServer configurable service after supplying the user identifier and password. This information is sometimes required by FTP servers and requested as part of the login protocol. This setting allows the FileInput and FileOutput nodes to respond appropriately during login.

If you set the `connectionType` property, it alters the type of data socket that is used to transfer files to or from the FTP server. If you set this property to `ACTIVE`, this refers to a socket which is established by the remote server to the client (the broker message flow). If you set this property to `PASSIVE`, this refers to a socket which is established by the client to the remote server (as is the login or control socket). The default is `PASSIVE` which is more likely to be tolerated by most types of firewall protection which already allows the client to login. You can set this property to `ACTIVE` if either the FTP server does not support `PASSIVE` connections, or there are special arrangements which your configuration must meet.

*PublishSubscribe configurable service properties:*

Select the properties and values that you want to change for the PublishSubscribe configurable service.

To change these properties, you must specify the broker name and **-c PublishSubscribe**.

You must also set the **ObjectName** to `Interface`.

### **-n psmode**

The state to which you want to set the broker's publish/subscribe engine. Valid values are `enabled` and `disabled`.

If you disable the broker's publish/subscribe engine, all application messages and operations are managed by the broker's queue manager. This

option is valid only if you have installed WebSphere MQ Version 7.0 on this computer and created or migrated the queue manager to this version.

The default setting of **psmode** is enabled. If WebSphere MQ Version 7.0 is not installed on this computer, you can change this setting, but the option is ignored.

See the “mqsicchangeproperties command” on page 432 for examples of how to disable and enable the broker’s publish/subscribe engine.

*SecurityProfiles configurable service properties:*

Select the objects and properties that you want to change for the SecurityProfiles configurable service.

To change these properties, you must specify the broker name and **-c SecurityProfiles**.

You must also set the **ObjectName** to either Default\_Propagation or the name of a SecurityProfiles configurable service that you have defined by using the mqsicreateconfigurable service. The properties and values are the same for all services.

This configurable service is independent of the securitycache component.

**-n authentication**

The type of authentication that is performed on the source identity.

- Value type - enum
- Initial value - NONE
- Other valid values:
  - LDAP
  - TFIM
  - A user-defined value

**-n authenticationConfig**

The information that the broker needs to connect to the provider, specific to the provider.

- Value type - string
- Initial value - None

**-n authorization**

The types of authorization checks that are performed on the mapped or source identity.

- Value type - enum
- Initial value - NONE
- Other valid values:
  - LDAP
  - TFIM
  - A user-defined value

**-n authorizationConfig**

How the broker connects to the provider, specific to the provider.

- Value type - string
- Initial value - None

**-n mapping**

The type of mapping that is performed.

- Value type - enum
- Initial value - NONE
- Other valid values:
  - TFIM
  - A user-defined value

**-n mappingConfig**

How the broker connects to the provider, specific to the provider.

- Value type - string
- Initial value - None

**-n passwordValue**

How passwords are treated when they enter a message flow.

- Value type - enum
- Initial value - PLAIN
- Other valid values:
  - MASK
  - OBFUSCATE

**-n propagation**

Indicates whether identity propagation is performed on output and request nodes.

- Value type - Boolean
- Initial value - TRUE

See the “mqsichangeproperties command” on page 432 for examples of its use.

**HTTPConnector and HTTPSConnector parameter values (SOAP node connections):**

Select the objects and properties associated with SOAP nodes that you want to change.

To change these properties, you must specify the broker name and **-e** with either the name of a single execution group, or the special value AllExecutionGroups. You can define all of these properties at the execution group level; therefore they apply to all SOAPInput and SOAPReply nodes that you deploy to the specified execution group.

If you want to change properties associated with HTTPInput and HTTPReply nodes, see “httplistener component parameter values” on page 455.

Choose the **ObjectName** from the following options:

- HTTPConnector for controlling HTTP communication.
- HTTPSConnector for controlling HTTPS communication.

The following combinations are valid:

**-o HTTPConnector**

The following properties and values are valid:

**-n address**

For servers with more than one IP address, this value specifies

which address is used for listening on the specified port. By default, this port is used on all IP addresses associated with the server. If specified, only one address can be used.

- Value type - string
- Initial value - null

#### **-n explicitlySetPortNumber**

The TCP/IP port number on which this Connector creates a server socket and awaits incoming connections.

Setting this value disconnects the automatic port-finding capability of the connector; this port is the only one allowed, and the connector fails to start if another program has already used this port.

- Value type - integer
- Initial value - 7800
- Other valid values - any integer in the range 0-65536.

#### **-o HTTPSConnector**

The properties listed for object name **HTTPConnector** are also valid for this object name. The following additional properties and values are valid:

##### **-n algorithm**

The certificate encoding algorithm to be used.

- Value type - string
- Initial value -

- **Solaris** **HP-UX** SunX509 on Solaris and HP-UX
- **AIX** **z/OS** **Linux** **Windows** IbmX509 on other systems (AIX, Linux, Windows, z/OS)

##### **-n clientAuth**

Set to true if the SSL stack requires a valid certificate chain from the client before accepting a connection. A false value (which is the default) does not require a certificate chain unless the client requests a resource protected by a security constraint that uses CLIENT-CERT authentication.

- Value type - string
- Initial value - false

##### **-n keystoreFile**

The path to the keystore file where the server certificate, which is to be loaded, has been stored. By default the HTTP listener will expect a file called .keystore in the home directory of the user who started the broker.

- Value type - string
- Initial value - *default value* (described previously)

##### **-n keystorePass**

The password used to access the server certificate from the specified keystore file.

- Value type - string
- Initial value - changeit

##### **-n keystoreType**

The type of keystore file to be used for the server certificate.

- Value type - string
- Initial value - JKS

##### **-n sslProtocol**

The version of the SSL protocol to use.

- Value type - string
- Initial value - SSLv3

**-n ciphers**

A comma separated list of the encryption ciphers that can be used. If not specified (the default), then any available cipher can be used.

- Value type - string
- Initial value - null

The valid values for `keystoreType`, `sslProtocol`, and `ciphers` are JSE-implementation specific, and these values are in the JSE provider documentation.

See the “`mqschangeproperties` command” on page 432 for examples of its use.

**httplistener component parameter values:**

Select the objects and properties associated with HTTP nodes that you want to change.

To change these properties, you must specify the broker name and **-b httplistener**. The `httplistener` component defines properties for the broker that are used for all the `HTTPInput` and `HTTPReply` nodes that you deploy to that broker, including a single listener for all HTTP nodes.

If you want to change properties associated with `SOAPInput` and `SOAPReply` nodes, see “`HTTPConnector` and `HTTPSCConnector` parameter values (SOAP node connections)” on page 453.

Choose the **ObjectName** from the following options:

- `HTTPListener` for controlling the `HTTPListener` process
- `HTTPConnector` for controlling HTTP communication.
- `HTTPSCConnector` for controlling HTTPS communication.

The following combinations are valid for the `httplistener` component:

**-o HTTPListener**

The following properties and values are valid:

**httpDispatchThreads**

The value is the number of threads that the broker dedicates to managing HTTP tunneling clients.

- Value type - integer
- Initial value -32

**httpProtocolTimeout**

The value is the number of milliseconds in the HTTP protocol timeout interval. You can change this value to update the amount of time a broker is to wait for the next event during any phase of the HTTP tunneling protocol. A value of 0 causes the broker to wait indefinitely.

- Value type - integer
- Initial value -10000

**-n maxKeepAliveRequests**

The value is the maximum number of HTTP requests that can be pipelined until the connection is closed by the server. Setting the attribute to 1 disables HTTP/1.0 keep-alive, as well as HTTP/1.1

keep-alive and pipelining. Setting the value to -1 allows an unlimited amount of pipelined or keep-alive HTTP requests.

- Value type - integer
- Initial value -100

**-n maxThreads**

The value is the maximum number of request processing threads to be created by this Connector. This value, therefore, determines the maximum number of simultaneous requests that can be handled.

- Value type - integer
- Initial value - 200

**enableSSLConnector**

A Boolean value which can be used to enable or disable the HTTPS (SSL) connector. You must set this value to TRUE to start the HTTP listener listening for inbound SSL connections.

- Value type - Boolean
- Initial value - FALSE

**-o HTTPConnector**

The following properties and values are valid:

**address**

For servers with more than one IP address, this value specifies which address is used for listening on the specified port. By default, this port is used on all IP addresses associated with the server. If specified, only one address can be used.

- Value type - string
- Initial value - null

**port**

The TCP port number on which this HTTPConnector creates a server socket and awaits incoming connections.

- Value type - integer
- Initial value - 7080

**-o HTTPSConnector**

The properties listed for object name **HTTPConnector** are also valid for this object name. The following additional properties and values are valid:

**algorithm**

The certificate encoding algorithm to be used.

- Value type - string
- Initial value -

- **Solaris** **HP-UX** SunX509 on Solaris and HP-UX
- **AIX** **z/OS** **Linux** **Windows** IbmX509 on other systems (AIX, Linux, Windows, z/OS)

**clientAuth**

Set to true if the SSL stack requires a valid certificate chain from the client before accepting a connection. A false value (which is the default) does not require a certificate chain unless the client requests a resource protected by a security constraint that uses CLIENT-CERT authentication.

- Value type - string
- Initial value - false

**keystoreFile**

The path to the keystore file where the server certificate, which is



to be loaded, has been stored. By default, the HTTP listener expects a file called `.keystore` in the home directory of the user who started the broker.

- Value type - string
- Initial value - *default value* (described previously)

#### **keystorePass**

The password used to access the server certificate from the specified keystore file.

- Value type - string
- Initial value - `changeit`

#### **keystoreType**

The type of keystore file to be used for the server certificate.

- Value type - string
- Initial value - `JKS`

#### **sslProtocol**

The version of the SSL protocol to use.

- Value type - string
- Initial value - `SSLv3`

#### **ciphers**

A comma separated list of the encryption ciphers that can be used. If not specified (the default), then any available cipher can be used.

- Value type - string
- Initial value - `null`

The properties listed for object name **HTTPConnector** are also valid for this object name. The valid values for `keystoreType`, `sslProtocol`, and `ciphers` are JSSE-implementation specific, and these values are in the JSSE provider documentation.

See the “`mqschangeproperties` command” on page 432 for examples of how to change parameters for the `httplistener` component. Other examples are provided for particular tasks:

“Configuring `HTTPInput` and `HTTPReply` nodes to use SSL (HTTPS)” on page 61

### **Inter-broker communications parameter values (collectives):**

Select the properties and values that you want to change for inter-broker communications for brokers that you have configured in collectives.

To change these properties, you must specify the broker name and **-e** with the name of an execution group. You must also specify `DynamicSubscriptionEngine` for the **ObjectName**.

The following properties and values are valid for execution groups for brokers that you have configured in collectives:

#### **-n brokerInputQueues**

Specifies the maximum number of dispatch queues which are to be used when processing messages from an interbroker connection. Increasing the value might increase the rate at which messages can be transmitted across an interbroker connection:

- Value type - integer
- Initial value - `1`

**-n brokerInputQueueLength**

Defines the maximum number of messages that can be stored in each input queue; the higher the value, the higher the number of input messages that can be stored in each input queue. However, the higher the value of this property, the larger the amount of memory that the broker requires for each queue:

- Value type - integer
- Initial value - 99

See the “mqsichangeproperties command” on page 432 for examples of how to change parameters for brokers in collectives.

**Inter-broker communications parameter values (clones):**

Select the properties and values that you want to change for inter-broker communications for cloned brokers.

To change these properties, you must specify the broker name and **-e** with the name of an execution group. You must also specify `DynamicSubscriptionEngine` for the **ObjectName**.

The following properties and values are valid for execution groups for cloned brokers:

**-n brokerPingInterval**

The time in milliseconds between broker initiated ping messages on broker-broker connections. Ping messages ensure that the communications are still open between both sides of the connection, and are generated internally. If the value is 0, the broker does not initiate pings.

- Value type - integer
- Initial value - 5000

**-n clientPingInterval**

The time in milliseconds between broker initiated ping messages on broker-client connections. Ping messages ensure that the communications are still open between both sides of the connection, and are generated internally. If the value is 0, the broker does not initiate pings.

- Value type - integer
- Initial value - 30000

**-n clonedPubSubBrokerList**

The list of brokers in which *brokername* registers to be a clone.

- Value type - string
- Initial value - none

See the “mqsichangeproperties command” on page 432 for examples of how to change parameters for cloned brokers. Other examples are provided for particular tasks:

“Setting up cloned brokers” on page 273

“Adding a cloned broker” on page 273

“Deleting a cloned broker” on page 274

**JVM parameter values:**

Select the objects and properties associated with the Java Virtual Machine (JVM) that you want to change.

To change these properties, you must specify the broker name, and set the **ObjectName** to `ComIbmJVMMManager`. If you are setting a debug port number, you must also include `-e` and specify the name of the execution group which will use the port. If you are changing the heap size, omit `-e`; the size is effective for all execution groups created in the broker.

**-n jvmMinHeapSize**

The minimum size of the storage available to the JVM.

- Value type - integer

**-n jvmMaxHeapSize**

The maximum size of the storage available to the JVM. If you have configured a publish/subscribe domain, when execution groups retain publications, you might need to increase this value. If you have included the XSLTransform node in one or more message flows, and the node is processing very large XML messages, you might also need to change this parameter.

- Value type - integer

**-n jvmDebugPort**

The port on which the execution group is listening. You must set a port number to activate debug in the execution group.

- Value type - integer
- Initial value - 0

See the “`mqschangeproperties` command” on page 432 for examples of how to change parameters for the JVM. Other examples are provided for particular tasks:

“Publish/subscribe performance tuning” on page 221

Using the Test Client in trace and debug mode

Attaching the flow debugger to an execution group for debugging

“Setting the JVM heap size” on page 219

**Real-time nodes parameter values:**

Select the properties and values associated with the Real-time nodes that you want to change.

To change these properties, you must specify the broker name and `-e` with the name of an execution group. You must also specify `DynamicSubscriptionEngine` for the **ObjectName**.

The following properties and values are valid for use with `Real-timeInput` and `Real-timeOptimizedFlow` nodes:

**-n httpDispatchThreads**

The number of threads that the broker dedicates to managing HTTP tunneling clients.

- Value type - integer
- Initial value -32

**-n httpProtocolTimeout**

The number of milliseconds in the HTTP protocol timeout interval. You can change this value to update the amount of time a broker is to wait for the next event during any phase of the HTTP tunneling protocol. A value of 0 causes the broker to wait indefinitely.

- Value type - integer

- Initial value -10000

**-n enableClientDiscOnQueueOverflow**

If true, and if after deleting all possible messages the maxClientQueueSize is still exceeded, the broker disconnects the client.

- Value type - Boolean
- Initial value - False

**-n enableQopSecurity**

Enables the level of quality of protection for messages.

By default, Quality of Protection is enabled if either the isysQopLevel or sysQopLevel value has been changed from the default value of none.

- Value type - string
- Initial value - none

**-n interbrokerHost**

The IP host name of the broker. A single broker configuration can be left to default as null.

mqsichangeproperties <broker> -o DynamicSubscriptionEngine -n interbrokerHost -v <IP host name>

- Value type - string
- Initial value - null

If you change the value, the broker must be stopped and restarted. Then you must redeploy the full topology.

**-n interbrokerPort**

The port number on which the Broker listens for incoming inter-broker connections. If you want to run more than one broker on the same machine, set the interbrokerPort property to a different value for each broker. For example:

mqsichangeproperties <broker> -o DynamicSubscriptionEngine -n interbrokerPort -v <port number>

If you do not set the interbrokerPort value before the topology is deployed, restart the broker.

- Value type - integer
- Initial value -1507

If you change the value, you must stop and restart the broker, and redeploy the topology.

**-n isysQopLevel**

Applies to the system and allows brokers only to publish and subscribe.

- Value type - string
- Initial value - none

**-n jvmMaxHeapSize**

The size of the Java Virtual Machine (JVM) heap size used with the JVMMManager for your Java user-defined nodes.

This value must be in the range 16 777 216 to 8 589 934 592.

- Value type - integer
- Initial value - 134 217 728

**-n maxBrokerQueueSize**

The maximum number of bytes that the broker can queue for transmission to another broker. If the maximum is exceeded, the broker deletes all messages queued to that broker, except for the latest message, high-priority messages, and responses. If 0, the broker does not limit the number of bytes queued to another broker.

- Value type - integer

- Initial value - 1000000

**-n maxClientQueueSize**

The maximum number of bytes that the broker can queue for transmission to a client. If the maximum is exceeded, the broker deletes all messages queued to that client, except for the latest message, high-priority messages, and response messages. If 0, the broker does not limit the number of bytes queued to a client.

- Value type - integer
- Initial value - 100000

The value of this property must be greater than, or equal to, the maxMessageSize value.

**-n maxConnections**

The maximum number of concurrently-connected clients that the broker permits. If this limit is reached, the broker denies new connection requests from clients. If this value is less than 0, the number of clients is unlimited.

- Value type - integer
- Initial value - 100

**-n maxHopCount**

The maximum number of multibroker links over which a message is sent, to ensure that messages never loop in a multibroker network. Set this value large enough to ensure that messages can travel the entire multibroker network.

- Value type - integer
- Initial value - 20

**-n maxMessageSize**

The maximum allowed message size in bytes. If a message exceeding this maximum size is received from a client, that client is disconnected.

- Value type - integer
- Initial value - 100000

The value of this property must be less than, or equal to, the maxClientQueueSize value.

**-n multicastMaximumIPv4Address**

The highest IPv4 address that the broker can use for its multicast transmissions.

This address must be in the range 224.0.0.2 to 239.255.255.255.

- Value type - string
- Initial value - 239.255.255.255

**-n multicastMaximumIPv6Address**

The highest IPv6 address that the broker can use for its multicast transmissions.

This address must be in the range ff02:0:0:0:0:0:1 to ff02:ffff:ffff:ffff:ffff:ffff:ffff:ffff.

- Value type - string
- Initial value - ff02:ffff:ffff:ffff:ffff:ffff:ffff:ffff

**-n multicastMinimumIPv4Address**

The lowest IPv4 address that the broker can use for its multicast transmissions.

This address must be in the range 224.0.0.2 to 239.255.255.255.

- Value type - string
- Initial value - 224.0.0.2

**-n multicastMinimumIPv6Address**

The lowest IPv6 address that the broker can use for its multicast transmissions.

This address must be in the range ff02:0:0:0:0:0:1 to ff02:ffff:ffff:ffff:ffff:ffff:ffff:ffff.

- Value type - string
- Initial value - ff02:0:0:0:0:0:1

**-n multicastBackoffTimeMillis**

The maximum time, in milliseconds, that a client listens for another's NACKs before sending its own NACK. This value can be in the range 0 to 1000.

- Value type - integer
- Initial value - 100

**-n multicastDataPort**

The UDP data port through which multicast packets are sent and received.

- Value type - integer
- Initial value - 34343

**-n multicastEnabled**

Indicates whether the topics that are defined in the multicastTopicsConfigFile are delivered multicast. If the value is true, the topics in the multicastTopicsConfigFile are delivered multicast.

- Value type - Boolean
- Initial value - false

**-n multicastHeartbeatTimeoutSec**

The time in seconds between the arrival of control packets at each client. If a control packet does not arrive within the number, defined as twice the value specified by this property, of seconds of the previous control packet's arrival an error can be suspected.

- Value type - integer
- Initial value - 20

**-n multicastLimitTransRate**

Use this property in conjunction with the multicastTransRateLimitKbps property to control network congestion. Valid values are:

**Disabled**

Multicast data is transmitted as fast as possible

**Static** The transmission rate is limited by the value specified in multicastTransRateLimitKbps

**Dynamic**

The transmission rate can vary throughout the process, but never exceeds the value specified in multicastTransRateLimitKbps

- Value type - string
- Initial value - Disabled

**-n multicastMaxKeyAge**

The maximum age, in minutes, of a topic encryption key before it must be redefined.

- Value type - string
- Initial value - 360

**-n multicastMaxMemoryAllowedKBytes**

The maximum memory consumption by client reception buffers, measured in kilobytes.

- Value type - integer
- Initial value - 262144

This parameter is available only if a Pragmatic General Multicast (PGM) protocol is selected.

**-n multicastMCastSocketTTL**

The maximum number of hops that a multicast packet can make between the client and the broker. This value is one more than the maximum number of routers that there can be between the client and the broker.

A value of 1 indicates that the packet reaches all local nodes, but cannot be relayed by routers. The maximum value is 255.

- Value type - integer
- Initial value - 1

**-n multicastMinimalHistoryKBytes**

The minimum size, in kilobytes, of a buffer that is allocated as an archive for all transmitted packets. This buffer is shared by all reliable topics, and can be used to recover lost packets. This value must be in the range 1000 to 1000000.

- Value type - integer
- Initial value - 60000

**-n multicastMulticastInterface**

The interface to use for multicast transmissions. You can specify a host name or an IP address. A value of None causes the network interface to be operating system dependent. *IPv4 Broker Network Interface* and *IPv6 Broker Network Interface* use the same command; use a semicolon (;) to separate the IPv4 and IPv6 addresses.

- Value type - string
- Initial value - None

If you have only one network card, the default value of none works because the operating system uses the localhost value. However, if you have more than one network card you **must** set this parameter to ensure that the correct card is used.

**-n multicastNACKAccumulationTimeMillis**

The time, in milliseconds, that NACKs are aggregated in the broker, before recovered packets are sent. This value must be in the range 50 to 1000.

- Value type - integer
- Initial value - 300

**-n multicastNACKCheckPeriodMillis**

The time, in milliseconds, between periodic checks of reception status and sequence gap detection for NACK building. This value must be in the range 10 through 1000.

- Value type - integer
- Initial value - 500

**-n multicastOverlappingTopicBehavior**

This property is used to control the behavior of the broker when a client requests a multicast subscription for a topic, that is part of a topic hierarchy containing topics, explicitly excluded for multicast. Valid values are:

**Accept**

A matching multicast subscription is accepted and all publications matching the topic, except those that are specifically excluded, are multicast.

**Reject** A multicast subscription to a topic with children that are not enabled for multicast is rejected by the broker.

**Revert** Subscriptions to a topic, or to children of that topic, that are not enabled for multicast result in unicast transmission.

- Value type - string
- Initial value - Accept

**-n multicastPacketBuffers**

The number of memory buffers that are created at startup for packet reception. Having a high number of buffers available improves the reception performance and minimizes packet loss at high delivery rates, at the price of increased memory utilization. Each buffer is 33 KB and this value can be in the range 1 to 5000.

- Value type - integer
- Initial value - 500

**-n multicastPacketSizeBytes**

The size, in bytes, of multicast packets. This value must be in the range 500 to 32000.

- Value type - integer
- Initial value - 7000

**-n multicastProtocolType**

The protocol type. Valid values are:

- PTL
- PGM/IP
- PGM/UDP
- Value type - string
- Initial value - PTL

**-n multicastSocketBufferSizeKbytes**

The size, in kilobytes, of the client's socket receiver buffer. Increasing it leads to lower loss rates. This value can be in the range 65 to 10000.

- Value type - integer
- Initial value - 3000

**-n multicastTransRateLimitKbps**

Limits the overall transmission rate in Kb (kilobits) per second.

This property is effective only if the **multicastLimitTransRate** property is not disabled. Set the value of this property to be no higher than the maximum data transmission rate of the system or the network, and in the range 10 through 1000000

- Value type - integer
- Initial value - 9500

**-n nonDurableSubscriptionEvents**

Indicates whether the user requires event messages when a non-durable subscriber is created or deleted. A true value causes an event publication to be created, false indicates that no event publications are made.

- Value type - Boolean
- Initial value - False

**-n pingTimeoutMultiple**

The number of consecutive clientPngIntervals or brokerPngIntervals without a response that the broker waits before disconnecting a client or broker.

- Value type - integer



- Initial value - 3

**-n statsInterval**

The number of milliseconds between statistics publications. If set to 0, statistics publications are not generated. You do not have to restart the broker after changing this property; however, the broker might take up to a minute to start producing statistics after you have changed the value.

This value must be in the range 0 through 1000.

- Value type - integer
- Initial value - 0

This value refers to the publish/subscribe statistics interval only.

**-n sysQopLevel**

Applies to the system, and allows brokers only to publish.

- Value type - string
- Initial value - none

See the “mqsichangeproperties command” on page 432 for examples of how to change parameters for Real-time nodes. Other examples are provided for particular tasks:

Generating statistics reports

“Setting up a multicast broker” on page 265

**securitycache component parameter values:**

Select the objects and properties associated with the securitycache component that you want to change.

To change these properties, you must specify the broker name and **-b securitycache**. You must also set the **ObjectName** to SecurityCache.

**-n cacheSweepInterval**

The interval between each sweep of the security cache for removing invalidated entries. The time is specified in seconds.

- Value type - integer
- Initial value - 300
- Other valid values: any positive integer.

**-n cacheTimeout**

The timeout value for marking entries in the cache as not valid. The time is specified in seconds.

- Value type - integer
- Initial value - 60
- Other valid values: any positive integer.

See the “mqsichangeproperties command” on page 432 for examples of its use.

**WSRR parameter values:**

Select the objects and properties associated with WebSphere Service Registry and Repository (WSRR) that you want to change.

To change these properties, you must specify the broker name, and set the **ObjectName** to ComIbmJVMManager.

You can change these property values at both broker level and execution group level. Execution group keystore and truststore runtime property values override equivalent property values on the broker, if any are set.

The following properties and values are valid:

**-e AddressSampleProvider**

The address of the provider.

- Value type - string

**-e AddressSampleConsumer**

The address of the consumer.

- Value type - string

**-n keystoreFile**

The directory and file location of the keystore.

- Value type - string
- Initial value - blank

**-n keystoreType**

The type of keystore file to be used.

- Value type - string
- Initial value - blank

**-n keystorePass**

The password used to access the keystore file.

- Value type - string
- Initial value - blank

**-n truststoreFile**

The directory and file location of the truststore.

- Value type - string
- Initial value - blank

**-n truststoreType**

The type of truststore to be used.

- Value type - string
- Initial value - blank

**-n truststorePass**

The password used to access the truststore file.

- Value type - string
- Initial value - blank

See the “mqschangeproperties command” on page 432 for examples of how to change parameters for WSRR. Other examples are provided for particular tasks:

Viewing and setting keystore and truststore runtime properties at broker level

Viewing and setting keystore and truststore runtime properties at execution group level

## **mqschangetrace command**

Use the mqschangetrace command to set the tracing characteristics for a component.

### **Supported platforms:**

- Windows

- Linux and UNIX systems
- z/OS - as a console command

**Purpose:**

This command is valid for:

- User trace. Specify the -u option.
- Service trace. Specify the -t option. Use this option only if directed to do so by the action described in a BIPxxxx message, or by your IBM Support Center.
- Trace nodes. Specify the -n option to switch Trace nodes on or off. You can significantly improve the performance of a flow by switching Trace nodes off.

You can initiate, modify, or end user tracing for a broker, or initiate, modify, or end service tracing for a broker, a Configuration Manager, or the User Name Server (identified by component name). You can switch Trace nodes for a broker on and off. You cannot use this command to initiate service tracing for the workbench.

If you specify a broker, or any of its resources (execution group or message flow), you must have deployed them before you can start trace.

The output for service and user trace generated by these commands is written to trace files in the log subdirectory. When you have completed the work you want to trace, use mqsireadlog to retrieve the log as an XML format file. Use either mqsiformatlog (to produce a formatted file) or an XML browser to view the XML records.

When you set tracing on, you cause additional processing to be executed for every activity in the component you are tracing. You must expect to see some impact on performance when trace is active.

If you want to trace the command processes themselves, set the environment variables MQSI\_UTILITY\_TRACE and MQSI\_UTILITY\_TRACESIZE before you initiate trace.

Ensure that you reset these variables when tracing for the selected command is complete. If you do not do so, all subsequent commands are also traced, and their performance degraded.

You can also start and stop tracing activity for execution groups and message flows using the facilities of the workbench. See User trace for more information.

Select the appropriate link for details of this command on the platform, or platforms, that your enterprise uses:

- “mqsichangetrace command - Windows, Linux, and UNIX systems” on page 468
- “mqsichangetrace command - z/OS” on page 471

**Authorization:**

On Windows Vista and Windows Server 2008 systems, the user ID used to run this command must be running with elevated privileges on the local system:

- The user ID must be a member of the group Administrators.
- The command must be started from an environment that has **Run as Administrator** authority.

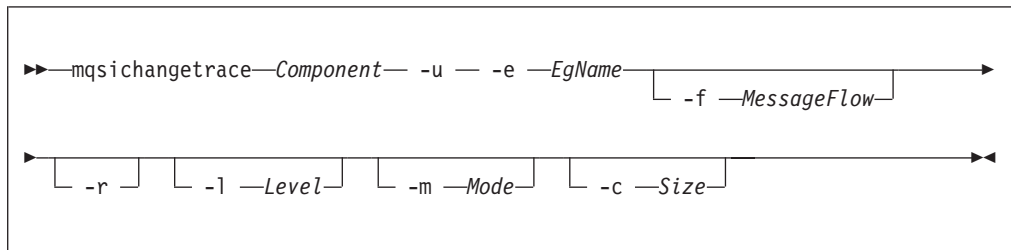
If you do not run the command from a privileged environment, you are asked to confirm that you want to continue. When you click **OK**, a new privileged command console is created and the command completed, but all responses are written to the privileged environment and are lost when that console closes when the command completes.

On Windows, Linux, and UNIX systems, the user ID used to run this command must be a member of the group mqbrkr.

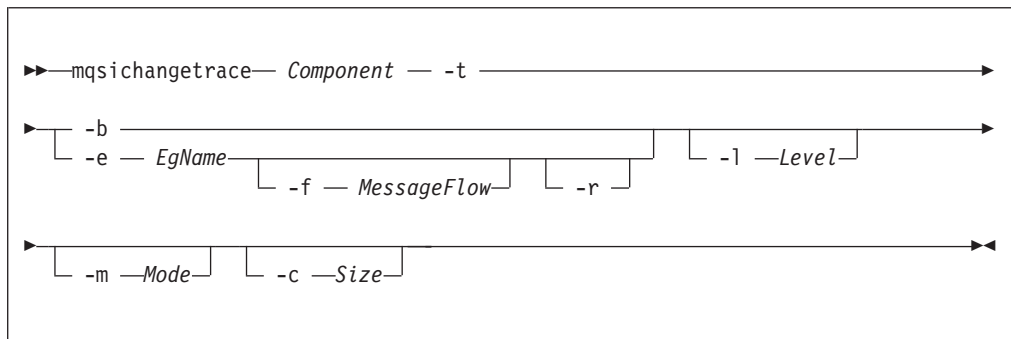
**mqsichange trace command - Windows, Linux, and UNIX systems:**

*Syntax:*

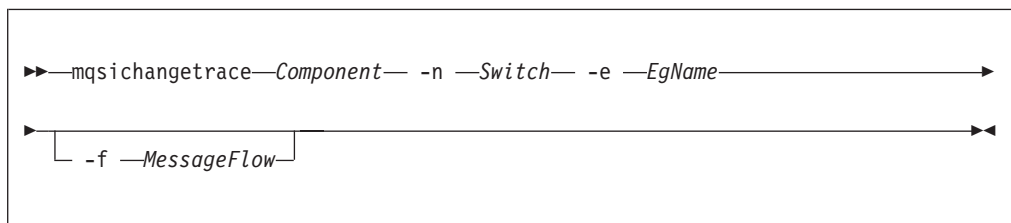
*User trace:*



*Service trace:*



*Trace nodes:*



*Parameters:*

**Component**

(Required) This can either be the name of a broker, or of a Configuration Manager, or the fixed value, UserNameServer (all are case sensitive on UNIX systems and on Linux).

Key words `workbench` and `utility` are reserved and must not be used as a component name.

**-u** (Required for user trace only if the component is a broker)

Specifies that user trace options are to be modified. This option is valid only if you have specified a broker name as the component name.

**-e** *EgName*

(Required for user trace; optional for service trace)

Identifies the execution group for which trace options are to be modified (for example, `started` or `stopped`). This option is valid only for a broker.

**-f** *MessageFlow*

(Optional) Identifies the message flow for which trace options are to be modified. This option is valid only if you have specified an execution group (flag **-e**).

**-r**

(Optional) This option requests that the trace log is reset: that is, all current records are discarded. Use this option when you start a new trace to ensure that all records in the log are unique to the new trace.

This option is valid only if you have specified an execution group (flag **-e**).

**-l** *Level*

(Optional) Set the level of the trace. This must be one of:

- `normal`. This provides a basic level of trace information.
- `none`. This switches tracing off.
- `debug`. This provides a more comprehensive trace.

This is valid for all components and each component is created with a default value of `none`. If you do not specify this parameter, the current value is unchanged. When you have successfully changed this value, it is persistent.

**-m** *Mode*

(Optional) Indicate the way trace information is to be buffered:

- `safe`. This mode causes trace entries to be written to file when they are generated.
- `fast`. This mode causes trace entries to be buffered, and written to file in batches.

Each component starts with a default value of `safe`. If you do not specify this parameter, the current value is unchanged.

This parameter is valid only if the component you have specified is:

- A broker. If you change this value, it affects tracing for the execution group (if you have specified one), or for the agent component (if you have not specified an execution group).
- The User Name Server. If you change this value, it affects tracing for the entire component. This second option is valid only for service trace and, when you have successfully changed this value, it is persistent.

**-c** *Size*

(Optional) The size of the trace file in KB (kilobytes). If you do not specify this parameter, the current value is left unchanged. Each component starts with a

default value of 4096 KB. Specify this option to reset the value. The maximum value you can specify depends on how you subsequently intend to read the log, using the `mqsireadlog` command:

- If you use this command with the `-f` option set, the log file is read directly from the file system. In this case, the maximum value that you can specify is 2097151, which allows a trace file up to 2 GB (gigabyte) to be created.
- If you use this command without setting the `-f` option, a WebSphere MQ message is sent to the broker to retrieve the log. In this case, do not allow the trace file to exceed 70 MB (megabytes). The maximum value that you can set is 70000.

On HP-UX, set the `size` value below 500 MB.

However you intend to retrieve the trace file, you might want to keep its size small, either by using a low value for this parameter or by using the reset (`-r`) option on this command to clear the trace log. The benefit of adopting this approach is that the formatting process (`mqsiformatlog`) is much faster and requires less resource to carry out its task.

This parameter is valid only if the component you have specified is:

- A broker. If you change this value, it affects tracing for the execution group (if you have specified one), or for the agent component (if you have not specified an execution group).
- The User Name Server. If you change this value, it affects tracing for the entire component. This second option is valid only for service trace.

*Additional parameters exclusive to service trace:*

Use these options only when directed to do so by your IBM Support Center or by a BIPxxxx message.

**-t**

(Required) Specifies that service trace options are to be modified.

**-b**

(Required) Specifies that service trace options for the agent subcomponent of the component specified are to be modified (for example, started or stopped). You can specify this flag only if `-t` is also specified.

*Additional parameters exclusive to Trace nodes:*

**-n** *Switch*

(Required) Specifies the mode for trace flow. Valid values are on and off.

*Examples:*

To collect and process a user trace for the default execution group use the command:

```
mqsichangetrace WBRK_BROKER -u -e default -l normal -c 5000
```

To collect and process a service trace for flow f1 in the default execution group use the command:

```
mqsichangetrace WBRK_BROKER -t -e default -m fast
```

To collect and process a service trace for an agent use the command:

```
mqsichangetrace WBRK_BROKER -t -b -m -l normal
```

To switch off Trace nodes in the default execution group, use the command:  
 mqsichangetrace WBRK\_BROKER -n off -e default

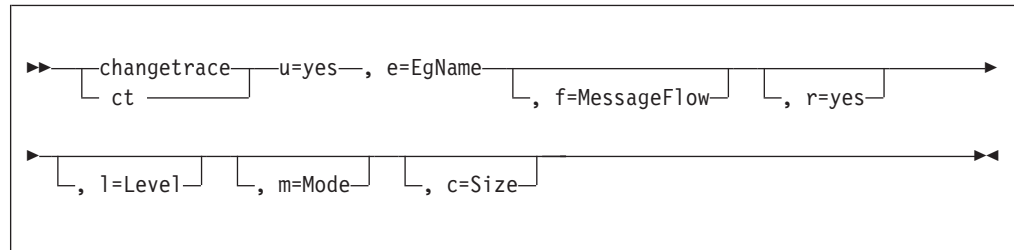
### **mqsichangetrace command - z/OS:**

Use the **mqsireporttrace** command to display the trace options currently in effect.

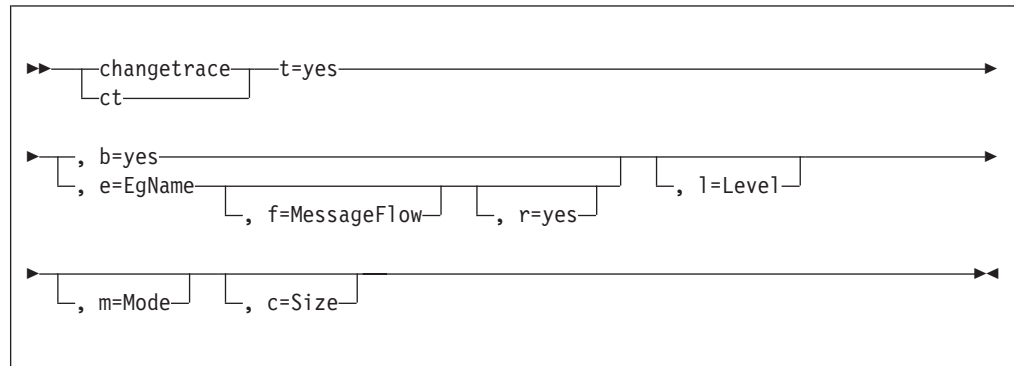
*Syntax:*

*z/OS console command:*

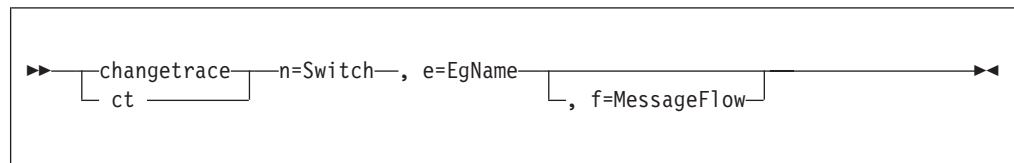
#### **User trace**



#### **Service trace**



*Trace nodes:*



*Parameters:*

**-u** (Required for user trace only if the component is a broker).

Specifies that user trace options are to be modified. This option is valid only if you have issued this command against a broker, that is, not a Configuration Manager or User Name Server.

**-e** *EgName*

(Required for user trace; optional for service trace)

Identifies the execution group for which trace options are to be modified (for example, started or stopped). This option is valid only for a broker.

This name is case sensitive and you must include the names in single quotes if they contain mixed case characters.

**-f** *MessageFlow*

(Optional) Identifies the message flow for which trace options are to be modified. This option is valid only if you have specified an execution group (flag **-e**).

This name is case sensitive and you must include the names in single quotes if they contain mixed case characters.

**-r**

(Optional) This option requests that the trace log is reset: that is, all current records are discarded. Use this option when you start a new trace to ensure that all records in the log are unique to the new trace.

This option is valid only if you have specified an execution group (flag **-e**).

**-l** *Level*

(Optional) Set the level of the trace. This must be one of:

- normal. This provides a basic level of trace information.
- none. This switches tracing off.
- debug. This provides a more comprehensive trace.

This is valid for all components and each component is created with a default value of none. If you do not specify this parameter, the current value is unchanged. When you have successfully changed this value, it is persistent.

**-m** *Mode*

(Optional) Indicate the way trace information is to be buffered:

- safe. This mode causes trace entries to be written to file when they are generated.
- fast. This mode causes trace entries to be buffered, and written to file in batches.

Each component starts with a default value of safe. If you do not specify this parameter, the current value is unchanged.

This parameter is valid only if the component you have specified is:

- A broker. If you change this value, it affects tracing for the execution group (if you have specified one), or for the agent component (if you have not specified an execution group).
- The User Name Server. If you change this value, it affects tracing for the entire component. This second option is valid only for service trace and, when you have successfully changed this value, it is persistent.

**-c** *Size*

(Optional) The size of the trace file in KB (kilobytes). If you do not specify this parameter, the current value is left unchanged. Each component starts with a default value of 4096 KB. Specify this option to reset the value. The maximum value you can specify depends on how you subsequently intend to read the log, using the `mqsireadlog` command:

- If you use this command with the **-f** option set, the log file is read directly from the file system. In this case, the maximum value that you can specify is 2097151, which allows a trace file up to 2 GB (gigabyte) to be created.



- If you use this command without setting the **-f** option, a WebSphere MQ message is sent to the broker to retrieve the log. In this case, do not allow the trace file to exceed 70 MB (megabytes). The maximum value that you can set is 70000.

However you intend to retrieve the trace file, you might want to keep its size small, either by using a low value for this parameter or by using the reset (**-r**) option on this command to clear the trace log. The benefit of adopting this approach is that the formatting process (mqsiformatlog) is much faster and requires less resource to carry out its task.

This parameter is valid only if the component you have specified is:

- A broker. If you change this value, it affects tracing for the execution group (if you have specified one), or for the agent component (if you have not specified an execution group).
- The User Name Server. If you change this value, it affects tracing for the entire component. This second option is valid only for service trace.

*Additional parameters exclusive to service trace:*

Use these options only when directed to do so by your IBM Support Center or by a BIPxxxx message.

**-t**

(Required) Specifies that service trace options are to be modified.

**-b**

(Required) Specifies that service trace options for the agent subcomponent of the component specified are to be modified (for example, started or stopped). You can specify this flag only if **-t** is also specified.

*Additional parameters exclusive to Trace nodes:*

**n=Switch**

(Required) Specifies the mode for trace flow. Valid values are on and off.

*Examples:*

To collect and process a user trace for the default execution group use the command:

```
F MQP1BRK,ct U=YES, E='DEFAULT', L=NORMAL, C=5000
```

and in the PDSE member BIPRELG, set the option for **mqsireadlog** to

```
U= E=DEFAULT
```

To collect and process a service trace for flow f1 in the default execution group use the command:

```
F MQP1BRK,ct U=YES, E='DEFAULT', F='F1', M=FAST
```

and in the PDSE member BIPRELG, set the option for **mqsireadlog** to

```
T=, E=DEFAULT, F=F1
```

To collect and process a service trace for an agent use the command:

```
F MQP1BRK,ct T=YES, B=YES, M=FAST, L=DEBUG
```

and in the PDSE member BIPRELG, set the option for **mqsireadlog** to

T=, B=AGENT

To switch off Trace nodes for the default execution group, use the command:

```
F MQP1BRK,ct n='off', e='default'
```

## **mqschangeusernameserver command**

Use the `mqschangeusernameserver` command to change one or more of the properties of the User Name Server.

### **Supported platforms:**

- Windows
- Linux and UNIX systems
- z/OS. Run this command in one of two ways - as a console command, or by customizing and submitting BIPCHUN; see “Contents of the User Name Server PDSE” on page 642

### **Purpose:**

On z/OS, you can change only Use the the refresh interval and authentication properties of the User Name Server.

You must stop the User Name Server before you can issue this command, and restart the User Name Server for the changes to take effect:

- On Windows, Linux, and UNIX systems, use the `mqsistop` and `mqsistart` commands.
- On z/OS, you must have started the original User Name Server control process using the `/S` option. You must stop the User Name Server components using the `/F` User Name Server, `PC` option and start the User Name Server components again using the `/S` User Name Server, `SC` option.

Select the appropriate link for details of this command on the platform, or platforms, that your enterprise uses:

- “[mqschangeusernameserver command - Windows](#)”
- “[mqschangeusernameserver command - Linux and UNIX systems](#)” on page 476
- “[mqschangeusernameserver command - z/OS](#)” on page 477

### **Authorization:**

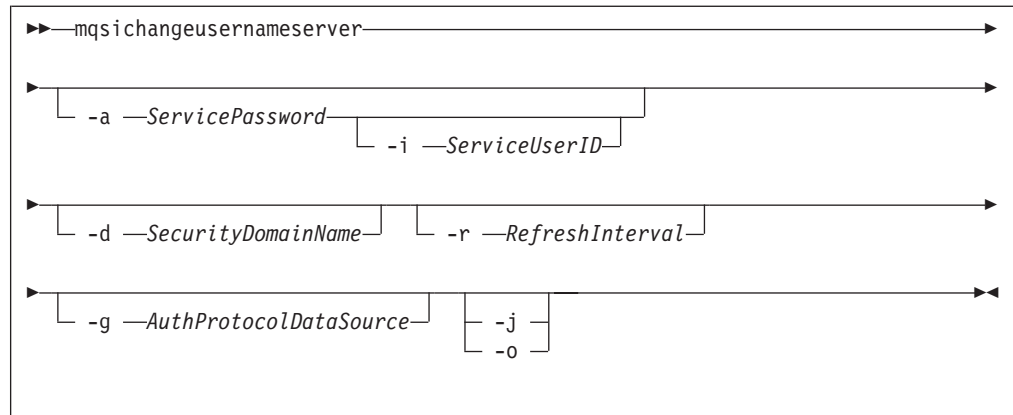
On Windows Vista and Windows Server 2008 systems, the user ID used to run this command must be running with elevated privileges on the local system:

- The user ID must be a member of the group Administrators.
- The command must be started from an environment that has **Run as Administrator** authority.

If you do not run the command from a privileged environment, you are asked to confirm that you want to continue. When you click **OK**, a new privileged command console is created and the command completed, but all responses are written to the privileged environment and are lost when that console closes when the command completes.

On other platforms, no specific authority is required to run this command.

### **mqschangeusernameserver command - Windows:**



*Parameters:*

**-i** *ServiceUserID*

(Optional) The user ID under which the broker runs. You can only change this value if you also change the password.

The security requirements for the ServiceUserID are detailed in “Security requirements for Windows platforms” on page 685.

ServiceUserID can be specified in any valid user name syntax. On Windows platforms, these are:

- domain\username
- \\server\username
- .\username
- username

If you use the unqualified form for this user ID (username), the operating system searches for the user ID throughout its domain, starting with the local system; this search might take some time to complete. The ServiceUserID specified must be:

- A direct or indirect member of the local group **mqbrkrs**.
- A direct or indirect member of the local group **mqm**
- Authorized to access the home directory (where WebSphere Message Broker has been installed).
- Authorized to access the working directory (if specified by the **mqsicreateusernameserver -w** flag)

**-a** *ServicePassword*

(Optional) The password for the ServiceUserID.

For compatibility with existing systems, you can still specify <password>.

However, if you do not specify a password with this parameter when you run the command you are prompted to enter a password during its invocation, and to enter the password a second time to verify that you have entered it correctly.

**-d** *SecurityDomainName*

(Optional) The name of the Windows system security domain.

**-r** *RefreshInterval*

(Optional) The interval, in seconds, at which the User Name Server interrogates the security subsystem for changes to user or group attributes.

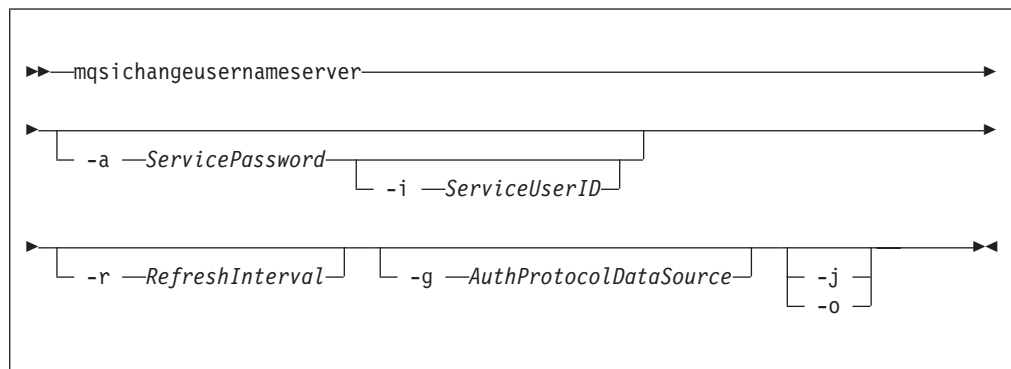
- g *AuthProtocolDataSource*  
(Optional) Use this parameter to specify the name of the data source required by the authentication protocol.
- j (Optional) Indicates that groups and group memberships are defined in the data source for the authentication protocol, rather than being drawn from the operating system.
- o (Optional) Indicates that groups and group memberships are drawn from the operating system, rather than being defined in the data source for the authentication protocol.

*Examples:*

```
mqsichangeusernameserver -r 2000
```

**mqsichangeusernameserver command - Linux and UNIX systems:**

*Syntax:*



*Parameters:*

**-i** *ServiceUserID*

(Optional) The user ID under which the broker runs. You can only change this value if you also change the password.

The security requirements for the *ServiceUserID* are detailed in “Security requirements for Linux and UNIX platforms” on page 684. The *ServiceUserID* specified must be:

- Specified in the form `username`.
- A direct or indirect member of the local group `mqbrkrs`.
- A direct or indirect member of the local group `mqm`
- Authorized to access the home directory (where WebSphere Message Broker has been installed).
- Authorized to access the working directory (if specified by the `mqsicreateusernameserver -w` flag)

**-a** *ServicePassword*

(Optional) The password for the *ServiceUserID*.

For compatibility with existing systems, you can still specify `<password>`. However, if you do not specify a password with this parameter when you run the command you are prompted to enter a password during its invocation, and to enter the password a second time to verify that you have entered it correctly.

On Linux and UNIX systems, -a is required for Windows platforms compatibility but it is not used in relation to ServiceUserID.

- r *RefreshInterval*  
(Optional) The interval, in seconds, at which the User Name Server interrogates the security subsystem for changes to user or group attributes.
- g *AuthProtocolDataSource*  
(Optional) Use this parameter to specify the name of the data source required by the authentication protocol.
- j (Optional) Indicates that groups and group memberships are defined in the data source for the authentication protocol, rather than being drawn from the operating system.
- o (Optional) Indicates that groups and group memberships are drawn from the operating system, rather than being defined in the data source for the authentication protocol.

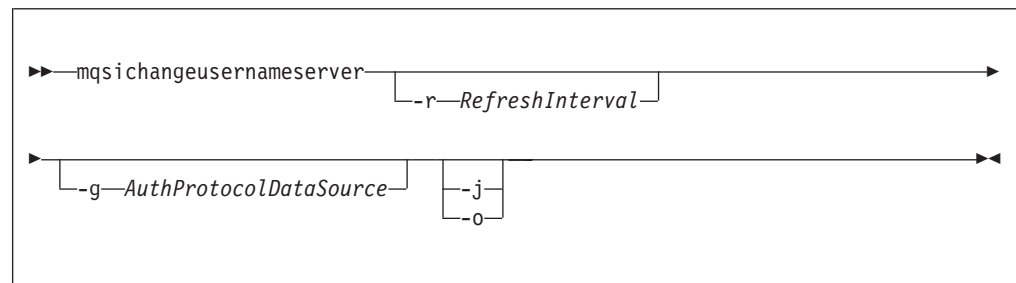
*Examples:*

`mqsichangeusernameserver -r 2000`

### **mqsichangeusernameserver command - z/OS:**

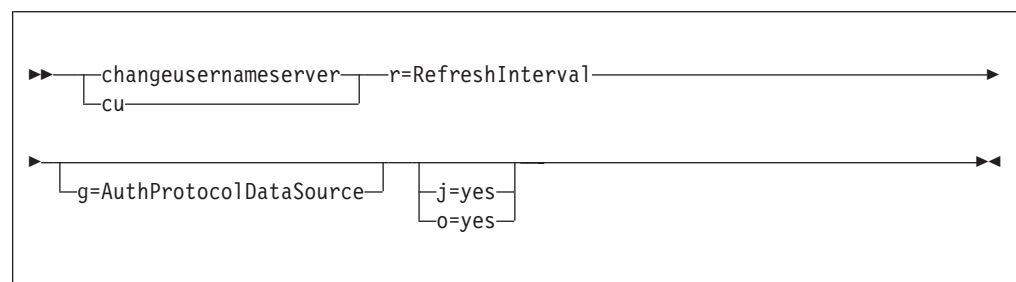
*Syntax:*

*z/OS command - BIPCHUN:*



*z/OS console command:*

**Synonym:** cu



*Parameters:*

- r *RefreshInterval*  
(Required) The interval, in seconds, at which the User Name Server interrogates the security subsystem for changes to user or group attributes.

- g *AuthProtocolDataSource*  
(Optional) Use this parameter to specify the name of the data source required by the authentication protocol.
- j (Optional) Indicates that groups and group memberships are defined in the data source for the authentication protocol, rather than being drawn from the operating system.
- o (Optional) Indicates that groups and group memberships are drawn from the operating system, rather than being defined in the data source for the authentication protocol.

*Examples:*

```
F MQP1UNS ,cu R=2000
```

## **mqsiclearmqpubsub command**

Use the `mqsiclearmqpubsub` command to remove an WebSphere MQ Publish/Subscribe broker as a neighbor of this WebSphere Message Broker broker.

### **Supported platforms:**

- Windows
- Linux and UNIX systems
- z/OS. Run this command by customizing and submitting the BIPCLMP utility; see “Contents of the broker PDSE” on page 640

### **Purpose:**

The `mqsiclearmqpubsub` command removes knowledge of the WebSphere MQ Publish/Subscribe broker from the WebSphere Message Broker broker that you specify on this command. To complete this action, you must also run the WebSphere MQ Publish/Subscribe command `clrmqbrk` against the WebSphere MQ Publish/Subscribe broker. When both clear commands have completed, all publish/subscribe traffic between the two brokers ceases.

Use this command only if you are integrating this WebSphere Message Broker broker with an WebSphere MQ Publish/Subscribe broker network. Before you issue this command, you must ensure that the WebSphere Message Broker broker is ready to receive and process messages on queue `SYSTEM.BROKER.INTER.BROKER.COMMUNICATIONS` (that is, you must restart the broker after creating this queue.)

### **Syntax:**

```
►►—mqsiclearmqpubsub—BrokerName— -n —NeighborQueueManagerName—►►
```

### **Parameters:**

#### **BrokerName**

(Required) The name of the broker from which knowledge of an WebSphere MQ Publish/Subscribe neighbor broker is to be removed.

**-n NeighborQueueManagerName**

(Required) The name of the queue manager that hosts the WebSphere MQ Publish/Subscribe broker for which the association as a neighbor is being removed.

**Authorization:**

On Windows Vista and Windows Server 2008 systems, the user ID used to run this command must be running with elevated privileges on the local system:

- The user ID must be a member of the group Administrators.
- The command must be started from an environment that has **Run as Administrator** authority.

If you do not run the command from a privileged environment, you are asked to confirm that you want to continue. When you click **OK**, a new privileged command console is created and the command completed, but all responses are written to the privileged environment and are lost when that console closes when the command completes.

On Linux and UNIX systems, the user ID must be a member of the mqbrkrs group.

On all platforms, the user ID used to run this command must have put and inq authority to the queue SYSTEM.BROKER.INTER.BROKER.COMMUNICATIONS.

**Authorization:**

**Examples:**

```
mqsiclearmqpubsub WBRK_BROKER -n MQBroker1
```

**mqsicreateaclentry command**

Use the mqsicreateaclentry command to create or modify the Configuration Manager data relating to the group or user access control lists that you have defined.

**Supported platforms:**

- Windows
- Linux and UNIX systems
- z/OS. Run this command in one of two ways - as a console command, or by customizing and submitting BIPCRACL; see “Contents of the Configuration Manager PDSE” on page 643

**Purpose:**

If you create or modify an access control group, you must stop and restart the Configuration Manager for the change to take effect.

On z/OS, you must define an OMVS segment for user IDs and groups, in order for a Configuration Manager to obtain user ID and group information from the External Security Manager (ESM) database.

This command does not check for the existence of the specified component, therefore you can set up the access control list first.

Select the appropriate link for details of this command on the platform, or platforms, that your enterprise uses:

- “mqsicreateaclentry command - Windows”
- “mqsicreateaclentry command - Linux and UNIX systems” on page 482
- “mqsicreateaclentry command - z/OS” on page 485

**Authorization:**

On Windows Vista and Windows Server 2008 systems, the user ID used to run this command must be running with elevated privileges on the local system:

- The user ID must be a member of the group Administrators.
- The command must be started from an environment that has **Run as Administrator** authority.

If you do not run the command from a privileged environment, you are asked to confirm that you want to continue. When you click **OK**, a new privileged command console is created and the command completed, but all responses are written to the privileged environment and are lost when that console closes when the command completes.

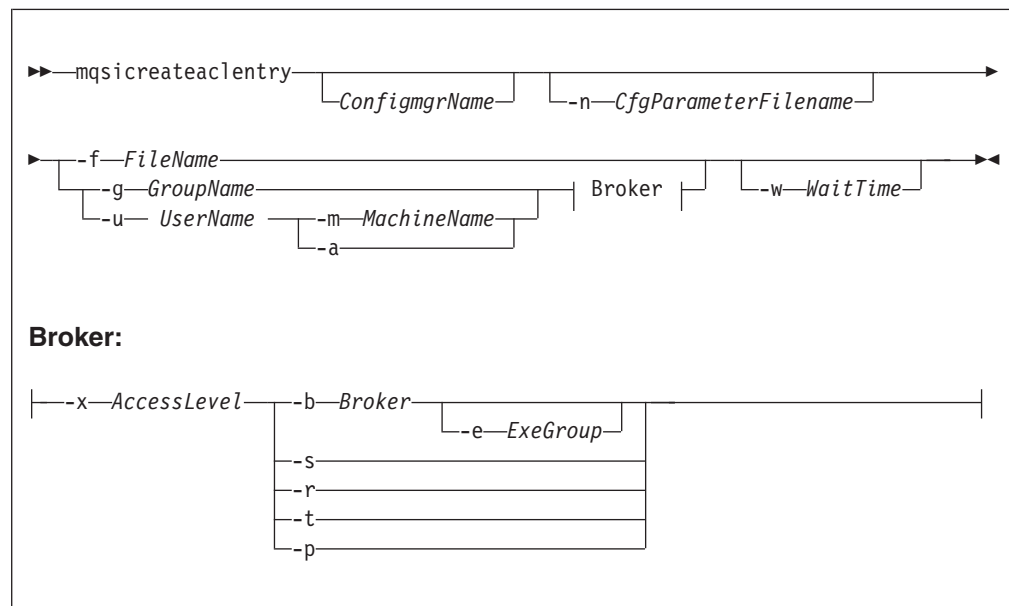
On Linux and UNIX, the user ID must be a member of mqbrkrs.

When z/OS commands are run through the console, they effectively run as the Configuration Manager started-task ID. Therefore the commands inherit a Full Control root ACL and you can carry out all operations. If you submit a console command to the Configuration Manager you can change all ACLs for that Configuration Manager.

On all platforms, the user ID used to run this command must have full control permissions for the object being changed.

**mqsicreateaclentry command - Windows:**

*Syntax:*





*Parameters:*

You must select:

- **-f**, or
- **-g** and **-x**, or **-u** and **-x**, and:
  - **-b**, or
  - **-s**, or
  - **-r**, or
  - **-t**, or
  - **-p**

*ConfigmgrName*

(Optional) The name of the Configuration Manager to which the access control lists are to be added.

The default name, if this parameter is not specified, is 'ConfigMgr'.

**-n** *CfgParameterFilename*

(Optional) This parameter specifies the name of a .configmgr file that describes the connection parameters to the Configuration Manager.

The file is in XML, using the .configmgr format that is saved by the workbench; for example:

```
<?xml version="1.0" encoding="UTF-8"?>
<configmgr crlNameList="" domainName="" host="winmvsd0" listenerPort="2206"
queueManager="mq06" securityExit="" securityExitJar="" sslCipherSuite="NONE"
sslDistinguishedNames="" sslKeyStore="" sslTrustStore="" svrconn="SYSTEM.BKR.CONFIG"/>
```

**-f** *FileName*

(Optional) The file from which to import the configuration. The output of the **mqsilistaclentry** command, with output generated using the **-f** option, is the correct format.

**-g** *GroupName*

(Optional) The local group to which this entry refers. For this reason, the name must adhere to the standard platform convention for group names.

To add a domain group, grant authority to a local group and then add the domain group, or groups, that you want to authorize into that local group. Any members of those domain groups obtain the permissions of the local group indirectly.

**-u** *UserName*

(Optional) The user name to which this entry refers, for example, TEST\ANOTHER.

**-u** and **-g** in this command refer to users and groups within the domain that the Configuration Manager uses for its security. This domain is, by default, the machine on which the Configuration Manager resides.

If you select **-u**, you must select either **a** or **m**

**-m** *MachineName*

(Optional) The name of the machine from which a specified user can connect. This option can not be used with **-a**.

If you select **-u**, you must select either **a** or **m**

**-a** (Optional) The specified user name can be on any machine. This option can not be used with **-m**.

If you select **-u**, you must select either **a** or **m**

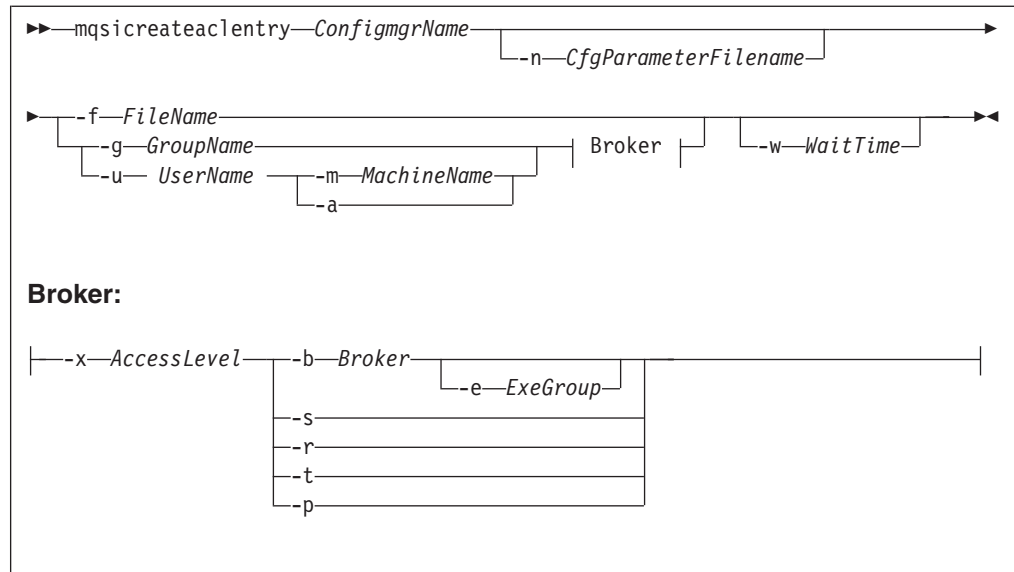
- x *AccessLevel*  
(Optional) The required access level given for this group. This option can be any one of the following letters:
  - F Full control
  - D Deploy
  - E Edit
  - V View
- b *Broker*  
(Optional) The object is a broker object, and its name is specified as a parameter.
- e *ExeGroup*  
(Optional) The object is an execution group and its name is specified as a parameter of the form Broker\ExeGroup. You must specify the **b** flag if you specify this flag.
- s *Subscription*  
(Optional) The object is a subscription object, and its name is specified as a parameter.
- r (Optional) The object refers to the root topic.
- t (Optional) The object refers to the main topology.
- p (Optional) The object refers to the "allresources" resource type. The authority that the principal has for this object applies to all objects, including the mqsicreateaclentry, mqsideleteaclentry, and mqsilistaclentry commands themselves.
- w *WaitTime*  
(Optional) The time in seconds that the command waits for a response from the Configuration Manager. If you do not supply a value, the command waits for 30 seconds.

*Examples:*

```
mqsicreateaclentry CMGR01 -f c:\test\mylist
mqsicreateaclentry CMGR01 -g GROUPA -x F -b MYBROKER
```

**mqsicreateaclentry command - Linux and UNIX systems:**

*Syntax:*



#### Parameters:

You must select:

- **-f**, or
- **-g** and **-x**, or **-u** and **-x**, and:
  - **-b**, or
  - **-s**, or
  - **-r**, or
  - **-t**, or
  - **-p**

#### *ConfigmgrName*

(Required) The name of the Configuration Manager to which the access control lists are to be added. This parameter must be the first parameter specified and its name is case-sensitive.

#### **-n** *CfgParameterFilename*

(Optional) This parameter specifies the name of a `.configmgr` file that describes the connection parameters to the Configuration Manager.

The file is in XML, using the `.configmgr` format that is saved by the workbench; for example:

```
<?xml version="1.0" encoding="UTF-8"?>
<configmgr crlNameList="" domainName="" host="winmvsd0" listenerPort="2206"
queueManager="mq06" securityExit="" securityExitJar="" sslCipherSuite="NONE"
sslDistinguishedNames="" sslKeyStore="" sslTrustStore="" svrconn="SYSTEM.BKR.CONFIG"/>
```

#### **-f** *FileName*

(Optional) The file from which to import the configuration. The output of the `mqsilistaclentry` command, with output generated using the `-f` option, is the correct format.

#### **-g** *GroupName*

(Optional) The local group to which this entry refers. For this reason, the name must adhere to the standard platform convention for group names.

To add a domain group, grant authority to a local group and then add the domain group, or groups, that you want to authorize into that local group. Any members of those domain groups obtain the permissions of the local group indirectly.

**-u** *UserName*

(Optional) The user name to which this entry refers, for example, TEST\ANOTHER.

**-u** and **-g** in this command refer to users and groups within the domain that the Configuration Manager uses for its security. This domain is, by default, the machine on which the Configuration Manager resides.

If you select **-u**, you must select either **a** or **m**

**-m** *MachineName*

(Optional) The name of the machine from which a specified user can connect. This option can not be used with **-a**.

If you select **-u**, you must select either **a** or **m**

**-a** (Optional) The specified user name can be on any machine. This option can not be used with **-m**.

If you select **-u**, you must select either **a** or **m**

**-x** *AccessLevel*

(Optional) The required access level given for this group. This option can be any one of the following letters:

**F** Full control

**D** Deploy

**E** Edit

**V** View

**-b** *Broker*

(Optional) The object is a broker object, and its name is specified as a parameter.

**-e** *ExeGroup*

(Optional) The object is an execution group and its name is specified as a parameter of the form Broker\ExeGroup. You must specify the **b** flag if you specify this flag.

**-s** *Subscription*

(Optional) The object is a subscription object, and its name is specified as a parameter.

**-r** (Optional) The object refers to the root topic.

**-t** (Optional) The object refers to the main topology.

**-p** (Optional) The object refers to the "allresources" resource type. The authority that the principal has for this object applies to all objects, including the mqsicreateaclentry, mqsdeleteaclentry, and mqsilistaclentry commands themselves.

**-w** *WaitTime*

(Optional) The time in seconds that the command waits for a response from the Configuration Manager. If you do not supply a value, the command waits for 30 seconds.

*Examples:*

```

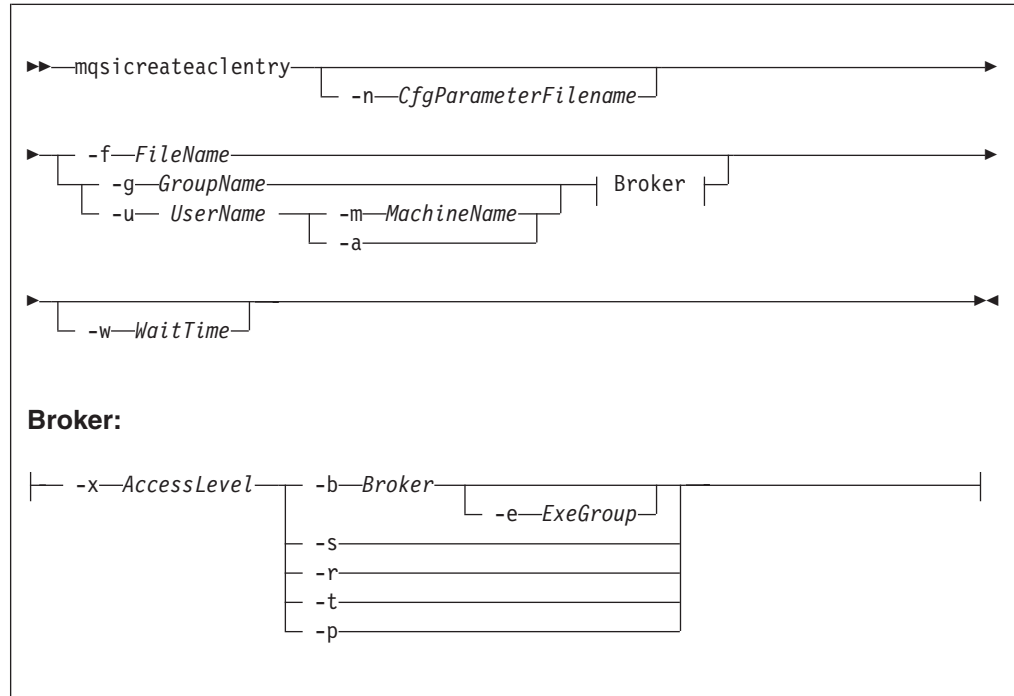
mqsicreateaclentry CMGR01 -f c:\test\mylist
mqsicreateaclentry CMGR01 -g GROUPA -x F -b MYBROKER

```

**mqsicreateaclentry command - z/OS:**

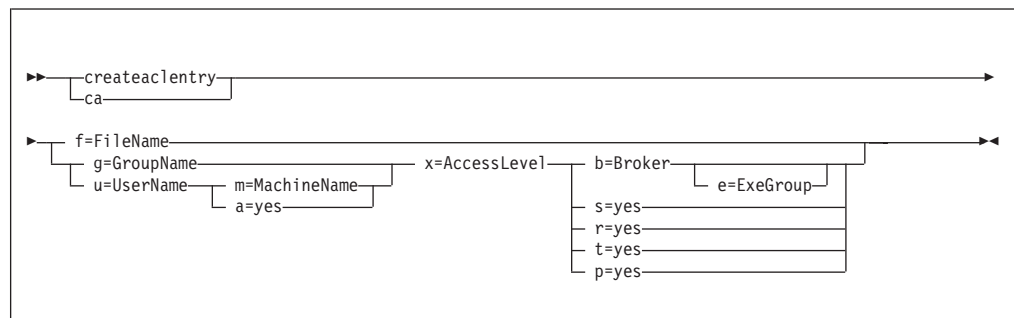
*Syntax:*

*z/OS command - BIPCRACL:*



*z/OS console command:*

**Synonym:** ca



*Parameters:*

You must select:

- **-f**, or
- **-g** and **-x**, or **-u** and **-x**, and:
  - **-b**, or
  - **-s**, or

- **-r**, or
- **-t**, or
- **-p**

*ConfigmgrName*

This parameter is implicit because you specify the component that you want to MODIFY.

**-n** *CfgParameterFilename*

(Optional) This parameter specifies the name of a .configmgr file that describes the connection parameters to the Configuration Manager.

The file is in XML, using the .configmgr format that is saved by the workbench; for example:

```
<?xml version="1.0" encoding="UTF-8"?>
<configmgr crlNameList="" domainName="" host="winmvsd0" listenerPort="2206"
queueManager="mq06" securityExit="" securityExitJar="" sslCipherSuite="NONE"
sslDistinguishedNames="" sslKeyStore="" sslTrustStore="" svrconn="SYSTEM.BKR.CONFIG"/>
```

Remove the statement encoding="UTF-8" from the first line of the .configmgr file, and remove the value for the host attribute, to leave the statement as:

```
<?xml version="1.0"?>
<configmgr crlNameList="" domainName="" host="" listenerPort="2206"
queueManager="mq06" securityExit="" securityExitJar="" sslCipherSuite="NONE"
sslDistinguishedNames="" sslKeyStore="" sslTrustStore="" svrconn="SYSTEM.BKR.CONFIG"/>
```

**-f** *FileName*

(Optional) The file from which to import the configuration. The output of the **mqsilistaentry** command, with output generated using the **-f** option, is the correct format.

**-g** *GroupName*

(Optional) The local group to which this entry refers. For this reason, the name must adhere to the standard platform convention for group names.

To add a domain group, grant authority to a local group and then add the domain group, or groups, that you want to authorize into that local group. Any members of those domain groups obtain the permissions of the local group indirectly.

**-u** *UserName*

(Optional) The user name to which this entry refers, for example, TEST\ANOTHER.

**-u** and **-g** in this command refer to users and groups within the domain that the Configuration Manager uses for its security. This domain is, by default, the machine on which the Configuration Manager resides.

If you select **-u**, you must select either **a** or **m**

**-m** *MachineName*

(Optional) The name of the machine from which a specified user can connect. This option can not be used with **-a**.

If you select **-u**, you must select either **a** or **m**

**-a** (Optional) The specified user name can be on any machine. This option can not be used with **-m**.

**-x** *AccessLevel*

(Optional) The required access level given for this group. This option can be any one of the following letters:

**F** Full control

- D** Deploy
- E** Edit
- V** View

**-b** *Broker*

(Optional) The object is a broker object, and its name is specified as a parameter.

**-e** *ExeGroup*

(Optional) The object is an execution group and its name is specified as a parameter of the form Broker\ExeGroup. You must specify the **b** flag if you specify this flag.

**-s** *Subscription*

(Optional) The object is a subscription object, and its name is specified as a parameter.

**-r** (Optional) The object refers to the root topic.

**-t** (Optional) The object refers to the main topology.

**-p** (Optional) The object refers to the "allresources" resource type. The authority that the principal has for this object applies to all objects, including the mqsicreateaclentry, mqsideleteaclentry, and mqsilistaclentry commands themselves.

**-w** *WaitTime*

(Optional) The time in seconds that the command waits for a response from the Configuration Manager. If you do not supply a value, the command waits for 30 seconds.

*Examples:*

On z/OS you must use a comma between each command option. The following example shows the z/OS version of the example listed in "mqsicreateaclentry command - Windows" on page 480:

```
/f CMGR01,ca g='GROUPA' ,x='F' ,b='MYBROKER'
```

## **mqsicreatebroker command**

Use the mqsicreatebroker command to create a broker and its associated resources.

### **Supported platforms:**

- Windows
- Linux and UNIX systems
- z/OS. Run this command by customizing and submitting BIPCRBK; see "Contents of the broker PDSE" on page 640

### **Purpose:**

The mqsicreatebroker command:

1. Checks whether the specified WebSphere MQ queue manager already exists:
  - If it does not exist:
    - If you run this command on z/OS, it reports an error and fails.
    - If you run this command on Linux, UNIX, or Windows, this command creates a queue manager.

The queues that are created include a dead letter queue (DLQ), SYSTEM.DEAD.LETTER.QUEUE. The security settings are the same as those of other broker-specific WebSphere MQ queues.

If a message received by a message flow cannot be processed, it is typically backed out onto the input queue. If it cannot be backed out, or the message flow is not configured to back out messages, or to perform alternative error processing, the broker puts the message to the DLQ.

The mqsideletebroker command does not delete the default DLQ (unless the queue manager is deleted).

- If it does exist, check that the queue manager has a DLQ defined; it is not created by this command on an existing queue manager, The broker puts messages that cannot be processed to the DLQ.

If you use WebSphere MQ clusters in your domain, define the queue manager before you run this command, and configure the queue manager in the cluster to benefit from reduced administration and increased availability.

2. Starts the WebSphere MQ queue manager, if it not already running, except on z/OS.

If the queue manager is created on Windows by this command, it is not started as a service. The queue manager stops if you log off. Therefore either remain logged on, or change the startup status of the queue manager service. If you lock your workstation, the WebSphere MQ queue manager does not stop.

3. Connects to the associated queue manager.
4. Creates the WebSphere MQ queues that are required by the broker, if they do not already exist.
5. Checks the version of WebSphere MQ that is installed. If WebSphere MQ Version 7.0 is installed, checks that the queue manager's publish/subscribe mode (attribute PSMODE) is not set to ENABLED. If it is, mqsicreatebroker sets the mode to COMPATIBILITY.
6. Creates database tables for the broker in the relevant schema in the specified database. If the schema, determined by user ID, or the tables, do not exist, they are created. If the tables already exist, the command adds rows specific to this broker to the existing tables.

If the parameters that you specify on this command result in this broker sharing tables within a database schema with other brokers, you must ensure that all these brokers are at the same version of the product.

7. On Windows only, installs a service under which the broker runs.
8. Creates the broker in one of the available modes. If the full package is installed, the default mode is enterprise. If the trial package is installed, the default mode is trial. For more information, see Operation modes.
9. Creates a record for the component in the registry.

Select the appropriate link for details of this command on the platform, or platforms, that your enterprise uses:

- "mqsicreatebroker command - Windows, Linux, and UNIX systems" on page 490
- "mqsicreatebroker command - z/OS" on page 496

#### **Authorization:**

On Windows XP and Windows Server 2003 systems, the user ID used to run this command must be a member of the group Administrators on the local system.



On Windows Vista and Windows Server 2008 systems, the user ID used to run this command must be running with elevated privileges on the local system:

- The user ID must be a member of the group Administrators.
- The command must be started from an environment that has **Run as Administrator** authority.

If you do not run the command from a privileged environment, you are asked to confirm that you want to continue. When you click **OK**, a new privileged command console is created and the command completed, but all responses are written to the privileged environment and are lost when that console closes when the command completes.

On Linux and UNIX systems, the user ID used to run this command must be a member of both the mqbrkrs group and the mqm group.

On z/OS systems, the user ID used to run this command must be a member of a group that has both READ and WRITE access to the component directory. The user ID must also have access to WebSphere MQ resources, and DB2.

**Using LDAP:** Ensure that the registry is appropriately secured to prevent unauthorized access. You do not have to set the *LdapPrincipal* and *LdapCredentials* options on mqsicreatebroker for correct operation of the broker. The password is not stored in clear text in the file system.

**WebSphere MQ queues created:**

- SYSTEM.BROKER.ADAPTER.FAILED
- SYSTEM.BROKER.ADAPTER.INPROGRESS
- SYSTEM.BROKER.ADAPTER.NEW
- SYSTEM.BROKER.ADAPTER.PROCESSED
- SYSTEM.BROKER.ADAPTER.UNKNOWN
- SYSTEM.BROKER.ADMIN.QUEUE
- SYSTEM.BROKER.AGGR.CONTROL
- SYSTEM.BROKER.AGGR.REPLY
- SYSTEM.BROKER.AGGR.REQUEST
- SYSTEM.BROKER.AGGR.TIMEOUT
- SYSTEM.BROKER.AGGR.UNKNOWN
- SYSTEM.BROKER.CONTROL.QUEUE
- SYSTEM.BROKER.EDA.COLLECTIONS
- SYSTEM.BROKER.EDA.EVENTS
- SYSTEM.BROKER.EXECUTIONGROUP.QUEUE
- SYSTEM.BROKER.EXECUTIONGROUP.REPLY
- SYSTEM.BROKER.INTERBROKER.MODEL.QUEUE
- SYSTEM.BROKER.INTERBROKER.QUEUE
- SYSTEM.BROKER.MODEL.QUEUE
- SYSTEM.BROKER.TIMEOUT.QUEUE
- SYSTEM.BROKER.WS.ACK
- SYSTEM.BROKER.WS.INPUT
- SYSTEM.BROKER.WS.REPLY

Access authority is granted for the WebSphere Message Broker group mqbrkrs to all these queues. If the DLQ is enabled, it also has the same authority.

**Database tables created:**

The database tables that this command creates, or adds to, are described in Database contents.

## Responses:

In some circumstances, you might see the following error message issued by DB2:

```
(51002) [IBM] [CLI Driver] [DB2/NT] SQL0805N  
Package "NULLID.SQLLF000" was not found.  SQLSTATE=51002.
```

This error occurs when the bind to the database is not successful.

- On Windows platforms, binding is not needed for broker databases, but is required for user databases. If you create the database using the DB2 Control Center, the bind is completed for you. If you use the command interface, the bind is not completed for you. For example, to create or re-create a bind for the database MYDB enter the following commands at the command prompt:

```
db2 connect to MYDB user db2admin using db2admin  
db2 bind X:\sqllib\bnd\@db2cli.lst grant public  
db2 connect reset
```

where X: is the drive on which DB2 is installed.

- On Linux and UNIX platforms, binding is necessary for all databases. For example, to create binding for database WBRKKBKDB, you must enter the following commands at the command prompt (where <user\_name> is the user ID under which the database instance was created):

```
db2 connect to WBRKKBKDB user db2admin using db2admin  
db2 bind ~<user_name>/sqllib/bnd/@db2cli.lst grant public CLIPKG 5  
db2 connect reset
```

If you do not use the default DB2 user ID and password (db2admin), you must replace the values in the db2 connect command with the correct values.

If you run the mqsicreatebroker command and it fails, resolve the problem that caused the failure:

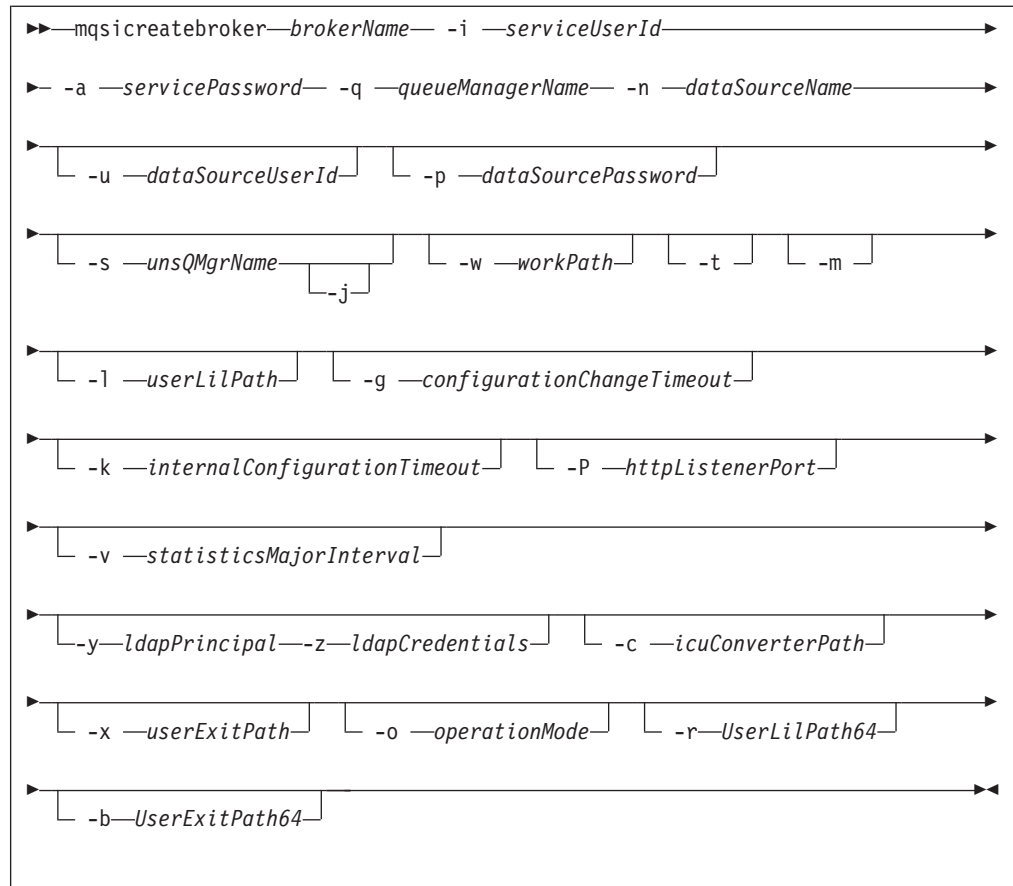
- Check responses, see “Responses.”
- Check the error logs, see Local error logs.
- Check the error messages in the error log, see Diagnostic messages.

When you run the same command again you might receive a series of messages indicating any items that cannot be created. Receiving these messages does not indicate a problem with the mqsicreatebroker command itself.

## **mqsicreatebroker command - Windows, Linux, and UNIX systems:**

Use the mqsicreatebroker command to create a broker on a distributed system.

*Syntax:*



*Parameters:*

*brokerName*

(Required) The name of the broker that you are creating. This parameter must be the first parameter. It is case sensitive on Linux and UNIX systems.

For restrictions on the character set that you can use, see “Characters allowed in commands” on page 374.

**-i** *serviceUserId*

(Required)

The user ID under which components run. You can specify the *serviceUserId* in any valid user name syntax.

On Windows systems, valid formats are:

- \\server\username
- .\username
- username

On Linux and UNIX systems, only the last format, username, is valid.

Do not use a domain name as part of the *serviceUserId* parameter.

If you use the unqualified form for this user ID (username) on Windows systems, the operating system searches for the user ID throughout its domain, starting with the local system. This search might take some time to complete.

The *serviceUserId* that you specify must be a member of the **mqbrkrs** local group. On Windows systems, the ID can be a direct or indirect member of the group. The *serviceUserId* must also be authorized to access the home directory (where WebSphere Message Broker has been installed), and the working

directory (if specified by the **-w** parameter).

On Windows systems, if you specify that the broker is to run as a WebSphere MQ trusted application (**-t** parameter), you must also add the service user ID to the **mqm** group. On Linux and UNIX systems, specify the *serviceUserId* as **mqm** if you set the **-t** parameter.

The security requirements for the *serviceUserId* are described in “Security requirements for Windows platforms” on page 685, and in “Security requirements for Linux and UNIX platforms” on page 684.

**-a** *servicePassword*

(Required) The password for the *serviceUserId*.

For compatibility with existing systems, you can specify <password>. However, if you do not specify a password with this parameter when you run the command, you are prompted to enter a password during its invocation, and to enter the password a second time to verify that you have entered it correctly.

On Linux and UNIX systems, **-a** is required for compatibility with Windows systems, but is not used in relation to *serviceUserId*. **-a** is used as a default only if **-p** is not specified. See the **-p** parameter description for further details.

**-q** *queueManagerName*

(Required) The name of the queue manager that is associated with this broker. Use the same name for your broker and the queue manager to simplify the organization and administration of your network. Queue manager names are limited to 48 characters in length, and they are case sensitive.

Each broker *must* have its own unique queue manager. A broker cannot share a queue manager with another broker.

If the queue manager does not already exist, it is created by this command. It is not created as the default queue manager; if you want this queue manager to be the default queue manager on this system, either create the queue manager before you issue this command, or change the settings of this queue manager to make it the default after it has been created. Use the WebSphere MQ Explorer.

The queue manager attribute **MAXMSGLEN** (the maximum length of messages that can be put to queues) is updated to 100 MB. This attribute is updated regardless of whether the queue manager is created by this command.

For restrictions on the character set that you can use, see “Characters allowed in commands” on page 374.

**-n** *dataSourceName*

(Required) The ODBC data source name (DSN) of the database in which the broker tables are created. If you have not used the same name for both the DSN and the database, this parameter must specify the DSN, not the name of the database.

This database must already exist. You must create a System DSN ODBC connection for this DSN, if you have not already done so.

**Linux** If you have a DB2 database on Linux, enter the appropriate DB database alias name; an ODBC DSN is not required.

**-u** *dataSourceUserId*

(Optional) The user ID with which databases that contain broker tables and user data are to be accessed. If you do not specify this ID, it defaults to the value that is specified by the **-i** parameter.

This user ID must have authority to create tables within this database, and read from and write to those tables.

**Windows** On Windows systems, if your broker database exists in DB2, and this user ID is not known to DB2, it is created for you within DB2.

**Linux** **UNIX** On Linux and UNIX systems, the service user must have been granted the correct privilege before entering this command. If your database is SQL Server, you must create this user ID as a SQL Server login ID and give it the correct access before you create the broker.

If you have an application database in DB2 that was created by this user ID, or to which this user ID has appropriate read, write, or create authority, message flows that run in this broker can access and manipulate the application data that is held within it, without having to specify explicit schema names. For further details see:

- “Security requirements for Windows platforms” on page 685
- “Security requirements for Linux and UNIX platforms” on page 684

**-p** *dataSourcePassword*

(Optional) The password of the user ID with which databases that contain broker tables and user data are to be accessed. If you do not specify this parameter, it defaults to the *servicePassword* that is specified by the **-a** parameter.

For compatibility with existing systems, you can specify <password>. However, if you do not specify a password with this parameter when you run the command, you are prompted to enter a password during its invocation, and to enter the password a second time to verify that you have entered it correctly.

**Linux** **UNIX** For DB2 on Linux and UNIX systems, you can specify **-u** and **-p** as empty strings (two quotation marks ""). In this case, you are using the *serviceUserId* and its *servicePassword* for the DB2 connection and that stores the password. If you specify **-a** as an empty string as well as **-u** and **-p**, WebSphere Message Broker stores no passwords; in this case the command prompts you to set a password and stores that.

**-s** *unsQMgrName*

(Optional) The name of the WebSphere MQ queue manager that is associated with the User Name Server.

Specify this parameter if you require either authentication services or publish/subscribe access control. If you do not specify this parameter, the broker assumes that no User Name Server is defined. To enable publish/subscribe access control, specify the **-s** and **-j** parameters.

**-j** (Optional) If you require publish/subscribe access control, specify this parameter. You must also specify the **-s** parameter.

**-w** *workPath*

(Optional) The directory in which working files for this broker are stored. If you do not specify this parameter, files are stored in the default work path, which was specified when the product was installed. If you specify this parameter, you must create this directory before you start the broker. On Windows systems, this directory cannot be on a networked drive.

This directory is also used for trace records that are created when tracing is active. These records are written to a subdirectory, *log*, which you must create before you start the broker.

Error logs that are written by the broker when a process ends abnormally are stored in this directory. On Windows systems, use this parameter to specify a directory on a drive other than the one on which the product is installed.

The error log is unbounded and continues to grow. Check this directory periodically and clear out old error information.

You cannot change this parameter using the `mqschangebroker` command. To specify or change the work path, delete and recreate the broker.

Specifying this parameter creates a separate working directory for the broker. This working directory is a subset of the default working directory structure that contains fewer subdirectories and no `common\profiles` subdirectory.

- t** (Optional) The broker runs as a WebSphere MQ trusted application.

If you specify this parameter on Windows systems, add the `serviceUserId` (identified by the `-i` parameter) to the **mqm** group.

If you specify this parameter on HP-UX and Solaris, specify the `serviceUserId` as `mqm`.

For more details about using WebSphere MQ trusted applications, see *WebSphere MQ Intercommunication*.
- m** (Optional) Migrate an existing WebSphere MQ Publish/Subscribe broker. If you specify this parameter, the queue manager that is identified by the `-q` parameter must be the queue manager that the WebSphere MQ Publish/Subscribe broker is using.
- l** *userLilPath*

(Optional) A list of paths (directories) from which the broker loads 32-bit loadable implementation libraries (LILs) for user-defined message processing nodes. Use the `-l` flag for 32-bit LILs.

On Linux and UNIX systems, directory names are case sensitive, and you must include the names in single quotation marks if they contain mixed case characters.

Do not include environment variables in the path; the broker ignores them.

Create your own directory for storing your `.lil` or `.jar` files. Do not save them in the WebSphere Message Broker installation directory.

If you specify more than one directory, separate directories by a semicolon (;) on Windows systems, or a colon (:) on Linux and UNIX systems.
- g** *configurationChangeTimeout*

(Optional) The maximum time (in seconds) that is allowed for a user configuration request to be processed. It defines the length of time taken within the broker to apply to an execution group a configuration change that you have initiated. For example, if you deploy a configuration from the workbench, the broker must respond to the Configuration Manager within this time.

A message flow cannot respond to a configuration change while it is processing an application message. An execution group that has been requested to change its configuration returns a negative response to the deployed configuration message if any one of its message flows does not finish processing an application message and apply the configuration change within this timeout.

Specify the value in seconds, in the range 10 to 3600. The default is 300.

For information about how to set the value for this timeout, see “Setting configuration timeouts” on page 223.
- k** *internalConfigurationTimeout*

(Optional) The maximum time (in seconds) that is allowed for an internal

configuration change to be processed. For example, it defines the length of time taken within the broker to start an execution group.

The response time of each execution group differs according to system load and the load of its own processes. The value must reflect the longest response time that any execution group takes to respond. If the value is too low, the broker returns a negative response, and might issue error messages to the local error log.

Specify the value in seconds, in the range 10 to 3600. The default is 60.

For information about how to set the value for this timeout, see “Setting configuration timeouts” on page 223.

**-P** *httpListenerPort*

(Optional) Enter the number of the port on which the Web services support is listening.

The broker starts this listener when a message flow that includes HTTP nodes or Web services support is started; the default is 7080.

Ensure that the port that you specify has not been specified for any other purpose.

**-v** *statisticsMajorInterval*

(Optional) Specify the interval (in minutes) at which WebSphere Message Broker statistics and accounting is notified that archive records are to be output. The valid range is from 10 to 14400 minutes.

An interval of zero minutes indicates that the operating system has an external method of notification and is not using an internal timer within WebSphere Message Broker.

**-y** *ldapPrincipal*

(Optional, but mandatory when *ldapCredentials* is provided.) The user principal for access to an optional LDAP directory that holds the JNDI administered Initial Context for the JMS provider.

**-z** *ldapCredentials*

(Optional, but mandatory when *ldapPrincipal* is provided.) The user password for access to LDAP.

**-c** *icuConverterPath*

(Optional) A delimited set of directories to search for additional code page converters. On Windows systems, the delimiter is a semicolon (;). On UNIX and Linux systems, the delimiter is a colon (:).

Do not use this parameter to set the converter path if you are using a converter that matches one of the built-in converters that are provided, and that converter is the local code page for the broker. Use the **ICU\_DATA** environment variable instead.

**-x** *userExitPath*

(Optional) The path that contains the location of all user exits to be loaded for 32-bit execution groups in this broker. This path is added to the system library search path (PATH,LIBPATH,LD\_LIBRARY\_PATH,SHLIBPATH) for the execution group process only.

**-o** *operationMode*

(Optional) Use this parameter to set the mode of your broker; see Operation modes. Valid values that you can set are enterprise (the full package, enterprise mode), starter (Starter Edition mode), and adapter (Remote Adapter

Deployment mode). The default is enterprise unless you have the Trial Edition, in which case the default is trial. If no **-o** parameter is set then the default is set automatically.

| **-r** *UserLilPath64*

| (Optional) A list of paths (directories) from which the broker loads 64-bit  
| loadable implementation libraries (LILs) for user-defined message processing  
| nodes. As you have the ability to use 32-bit or 64-bit LILs on the following  
| platforms:

- | • AIX
- | • HP-UX on PA-RISC
- | • Linux on x86-64
- | • Solaris on SPARC

| use the

- | • **-r** flag to set the path where the 64-bit LILs, for the user-defined nodes, are  
| stored.
- | • **-l** flag to set the path where the 32-bit LILs, for the user-defined nodes, are  
| stored.

| On Linux and UNIX systems, directory names are case sensitive, and you must  
| include the names in single quotation marks if they contain mixed case  
| characters.

| Do not include environment variables in the path; the broker ignores them.

| Create your own directory for storing your `.lil` or `.jar` files. Do not save  
| them in the WebSphere Message Broker installation directory.

| If you specify more than one directory, separate directories by a semicolon (;)  
| on Windows systems, or a colon (:) on Linux and UNIX systems.

| **-b** *UserExitPath64*

| (Optional) The path that contains the location of all user exits to be loaded for  
| 64-bit execution groups in this broker. This path is added to the system library  
| search path (PATH,LIBPATH,LD\_LIBRARY\_PATH,SHLIBPATH) for the  
| execution group process only.

| As you have the ability to run 32-bit or 64-bit execution groups on the  
| following platforms:

- | • AIX
- | • HP-UX on PA-RISC
- | • Linux on x86-64
- | • Solaris on SPARC

| use the

- | • **-b** flag to set the path where the 64-bit user exits are stored.
- | • **-x** flag to set the path where the 32-bit user exits are stored.

| *Examples:*

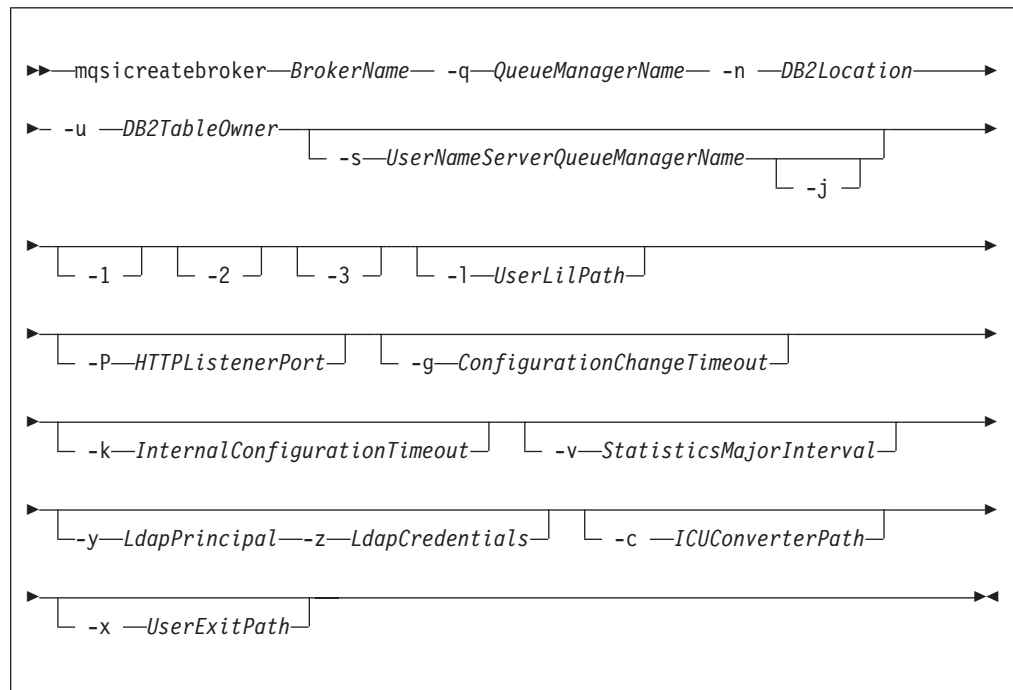
```
mqsicreatebroker WBRK_BROKER -i wbrkuid -a wbrkpw -q WBRK_QM -s WBRK_UNQ_QM -n WBRKBKDB  
mqsicreatebroker WBRK_BROKER -i wbrkuid -a wbrkpw -q WBRK_QM -n WBRKBKDB -t  
mqsicreatebroker WBRK_BROKER -i wbrkuid -a wbrkpw -q WBRK_QM -n WBRKBKDB -x /opt/3rdparty/wmbexits
```

| **mqsicreatebroker command - z/OS:**

| *Syntax:*



z/OS command - BIPCRBK:



Parameters:

#### BrokerName

(Required) The name of the broker that you are creating. This parameter must be the first parameter, and if you create a broker with an uppercase name, the name must be specified in uppercase in the workbench.

For restrictions on the character set that you can use, see “Characters allowed in commands” on page 374.

#### -q QueueManagerName

(Required) The name of the queue manager that is associated with this broker. Use the same name for your broker and the queue manager to simplify the organization and administration of your network. Queue manager names are limited to 48 characters in length, and they are case sensitive.

Each broker *must* have its own unique queue manager. A broker cannot share a queue manager with another broker.

If the queue manager does not already exist, it is created by this command. It is not created as the default queue manager; if you want this queue manager to be the default queue manager on this system, either create the queue manager before you issue this command, or change the settings of this queue manager to make it the default after it has been created. Use the WebSphere MQ Explorer.

The queue manager attribute MAXMSGLEN (the maximum length of messages that can be put to queues) is updated to 100 MB. This attribute is updated regardless of whether the queue manager is created by this command.

For restrictions on the character set that you can use, see “Characters allowed in commands” on page 374.

#### -n DB2Location

(Required) The location of the database in which the broker tables are created.

**-u** *DB2TableOwner*

(Required) The user ID with which databases that contain broker tables and user data are to be accessed.

This user ID must have authority to create tables within this database, and read from and write to those tables.

If you have an application database in DB2 that was created by this user ID, or to which this user ID has appropriate read, write, or create authority, message flows that run in this broker can access and manipulate the application data that is held within it, without having to specify explicit schema names.

**-s** *UserNameServerQueueManagerName*

(Optional) The name of the WebSphere MQ queue manager that is associated with the User Name Server.

Specify this parameter if you require either authentication services or publish/subscribe access control. If you do not specify this parameter, the broker assumes that no User Name Server is defined. To enable publish/subscribe access control, specify the **-s** and **-j** parameters.

**-j** (Optional) If you require publish/subscribe access control, specify this parameter. You must also specify the **-s** parameter.

**-l** *UserLilPath*

(Optional) A list of paths (directories) from which the broker loads 32-bit loadable implementation libraries (LILs) for user-defined message processing nodes. Use the **-l** flag for 32-bit LILs.

This name is case sensitive; enclose the names in single quotation marks if they are in mixed case.

Do not include environment variables in this path; WebSphere Message Broker ignores them.

You must create your own directory for storing your .lil or .jar files. Do not save these files in the WebSphere Message Broker install directory.

**-P** *HTTPListenerPort*

(Optional) Enter the number of the port on which the Web services support is listening.

The broker starts this listener when a message flow that includes HTTP nodes or Web services support is started; the default is 7080.

Ensure that the port that you specify has not been specified for any other purpose.

**-g** *ConfigurationChangeTimeout*

(Optional) The maximum time (in seconds) that is allowed for a user configuration request to be processed. It defines the length of time taken within the broker to apply to an execution group a configuration change that you have initiated. For example, if you deploy a configuration from the workbench, the broker must respond to the Configuration Manager within this time.

A message flow cannot respond to a configuration change while it is processing an application message. An execution group that has been requested to change its configuration returns a negative response to the deployed configuration message if any one of its message flows does not finish processing an application message and apply the configuration change within this timeout.

Specify the value in seconds, in the range 10 to 3600. The default is 300.

For information about how to set the value for this timeout, see “Setting configuration timeouts” on page 223.

**-k** *InternalConfigurationTimeout*

(Optional) The maximum time (in seconds) that is allowed for an internal configuration change to be processed. For example, it defines the length of time taken within the broker to start an execution group.

The response time of each execution group differs according to system load and the load of its own processes. The value must reflect the longest response time that any execution group takes to respond. If the value is too low, the broker returns a negative response, and might issue error messages to the local error log.

Specify the value in seconds, in the range 10 to 3600. The default is 60.

For information about how to set the value for this timeout, see “Setting configuration timeouts” on page 223.

**-v** *StatisticsMajorInterval*

(Optional) Specify the interval (in minutes) at which WebSphere Message Broker statistics and accounting is notified that archive records are to be output. The valid range is from 10 to 14400 minutes.

An interval of zero minutes indicates that the operating system has an external method of notification and is not using an internal timer within WebSphere Message Broker.

**-1** (Optional) The registry pass, which creates only the broker registry.

**-2** (Optional) The WebSphere MQ pass, which creates only the broker WebSphere MQ queues.

**-3** (Optional) The DB2 pass, which creates only the broker DB2 tables and indexes.

**-y** *LdapPrincipal*

(Optional, but mandatory when *ldapCredentials* is provided.) The user principal for access to an optional LDAP directory that holds the JNDI administered Initial Context for the JMS provider.

**-z** *LdapCredentials*

(Optional, but mandatory when *ldapPrincipal* is provided.) The user password for access to LDAP.

**-c** *ICUConverterPath*

(Optional) A delimited set of directories to search for additional code page converters.

The code page converters must be either of the form *icudt32\_codepagename.cnv*, or in an ICU data package called *icudt32.dat*.

Do not use this parameter to set the converter path if you are using a converter that matches one of the built-in converters that are provided with Version 6.0, and that converter is the local code page for the broker. Use the **ICU\_DATA** environment variable instead.

**-x** *UserExitPath*

(Optional) The path that contains the location of all user exits to be loaded for 32-bit execution groups in this broker. This path is added to the system library search path (**PATH**,**LIBPATH**,**LD\_LIBRARY\_PATH**,**SHLIBPATH**) for the execution group process only.

*Examples:*

To create an entire broker on z/OS:

```
mqsicreatebroker CSQ1BRK -q CSQ1 -u BRKUSER -n DBA0
```

To create only the DB2 tables and indexes on z/OS:

```
mqsicreatebroker CSQ1BRK -q CSQ1 -u BRKUSER -n DBA0 -2
```

## **mqsicreateconfigmgr command**

Use the `mqsicreateconfigmgr` command to create a Configuration Manager and its associated resources.

### **Supported platforms:**

- Windows
- Linux and UNIX systems
- z/OS. Run this command by customizing and submitting BIPCRCM; see “Contents of the Configuration Manager PDSE” on page 643

### **Purpose:**

The `mqsicreateconfigmgr` command:

1. Checks that the specified WebSphere MQ queue manager already exists.

If it does not exist:

- If you run this command on z/OS, it reports an error and fails.
- If you run this command on Linux, UNIX, or Windows, this command creates a queue manager.

If the queue manager is created on Windows by this command, it is not started as a service. The queue manager stops if you log off. Therefore either remain logged on, or change the startup status of the queue manager service. If you lock your workstation, the WebSphere MQ queue manager does not stop.

If you use WebSphere MQ clusters in your domain, define the queue manager before you run this command, and configure the queue manager in the cluster to benefit from reduced administration and increased availability.

2. Starts the WebSphere MQ queue manager if it is not already running, except on z/OS.
3. Connects to the associated queue manager.
4. Creates the WebSphere MQ queues and channel that are specific to the Configuration Manager, if they do not already exist.
5. Creates database tables for the Configuration Manager in its internal repository. If you need to transfer data from the configuration repository of an earlier release, you can use the `db2DatabaseToMigrate`, `migrationDatabaseUserId`, and `migrationDatabasePassword` parameters.
6. If you run this command using the `-n` parameter, and then delete the Configuration Manager by using `mqsdeleteconfigmgr`, without specifying the `-n` parameter on that command, the new database containing the configuration repository is not deleted.

If you run the `mqsicreateconfigmgr` command again in this situation, and specify the `-n` parameter, the parameter is ignored because the new database still exists.

7. On Windows only, installs a service under which the Configuration Manager runs.
8. Creates a record for the component in the registry.

Select the appropriate link for details of this command on the platform, or platforms, that your enterprise uses:

- “mqsicreateconfigmgr command - Windows”
- “mqsicreateconfigmgr command - Linux and UNIX systems” on page 503
- “mqsicreateconfigmgr command - z/OS” on page 505

**Authorization:**

On Windows XP and Windows Server 2003 systems, the user ID used to run this command must be a member of the group Administrators on the local system.

On Windows Vista and Windows Server 2008 systems, the user ID used to run this command must be running with elevated privileges on the local system:

- The user ID must be a member of the group Administrators.
- The command must be started from an environment that has **Run as Administrator** authority.

If you do not run the command from a privileged environment, you are asked to confirm that you want to continue. When you click **OK**, a new privileged command console is created and the command completed, but all responses are written to the privileged environment and are lost when that console closes when the command completes.

On Linux and UNIX systems, the user ID used to run this command must be a member of the mqbrkrs group.

On z/OS systems, the user ID used to run this command must be a member of a group that has READ and WRITE access to the component directory and access to WebSphere MQ.

**WebSphere MQ queues created:**

- SYSTEM.BROKER.CONFIG.QUEUE
- SYSTEM.BROKER.CONFIG.REPLY
- SYSTEM.BROKER.ADMIN.REPLY
- SYSTEM.BROKER.SECURITY.REPLY
- SYSTEM.BROKER.MODEL.QUEUE

Access authority is granted for the WebSphere Message Broker group mqbrkrs to all these queues. If the DLQ is enabled, it also has the same authority.

**WebSphere MQ channels created:**

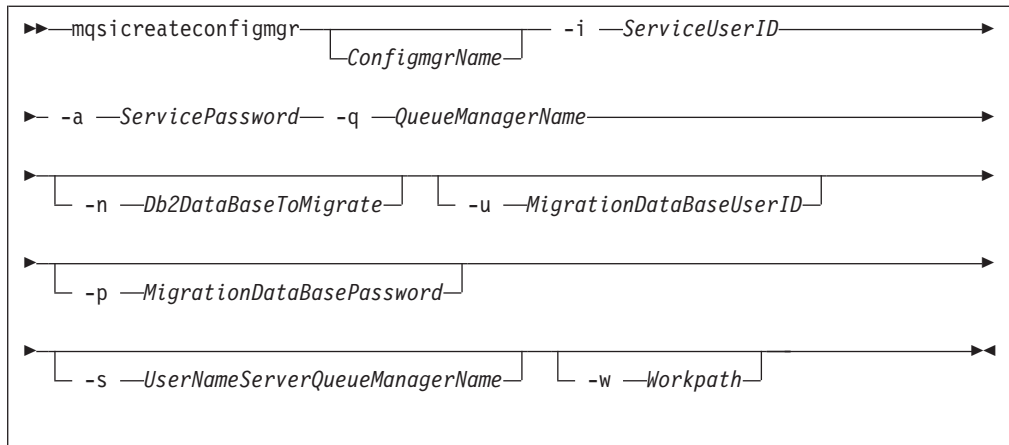
- SYSTEM.BKR.CONFIG

**Database tables created:**

The database tables that this command creates are in a repository created by the Configuration Manager.

**mqsicreateconfigmgr command - Windows:**

*Syntax:*



*Parameters:*

*ConfigmgrName*

(Optional) The name of the Configuration Manager that you want to create.

The default name on Windows, if this parameter is not specified, is 'ConfigMgr'.

**-i** *ServiceUserID*

(Required) The user ID under which the service runs.

This can be specified in any valid user name syntax for the platform. If you use the unqualified form for this user ID (username) on Windows systems, the operating system searches for the user ID throughout its domain, starting with the local system. This search might take some time to complete.

The *ServiceUserID* specified must be a member (either direct or indirect) of the local group **mqbrkrs**, and must be authorized to access the home directory (where WebSphere Message Broker has been installed), and the working directory (if specified by the **-w** flag).

This user ID must also be a member (either direct or indirect) of the local group **mqm** or of the local Windows **Administrators** group.

The security requirements for the *ServiceUserID* are detailed in "Security requirements for Windows platforms" on page 685.

**-a** *ServicePassword*

(Required) The password for the *ServiceUserID*.

For compatibility with existing systems, you can still specify <password>.

However, if you do not specify a password with this parameter when you run the command you are prompted to enter a password during its invocation, and to enter the password a second time to verify that you have entered it correctly.

**-q** *QueueManagerName*

(Required) The name of the queue manager associated with the Configuration Manager.

If the queue manager does not already exist, it is created by this command. It is not created as the default queue manager: if you want it to be the default queue manager on this system, create the queue manager before you issue this command.

The queue manager attribute MAXMSGL (maximum length of messages that can be put to queues) is updated to 100 MB. This update is done whether or not the queue manager is created by this command.

**-n** *Db2DatabaseToMigrate*

(Optional) The name of the database that you created at an earlier release to hold the configuration repository tables.

This database must already exist. You do not need to create an ODBC connection for this database, because access is provided by JDBC.

**-u** *MigrationDataBaseUserID*

(Optional) The user ID with which the configuration repository database (created at an earlier release) is to be accessed.

**-p** *MigrationDataBasePassword*

(Optional) The password of the user ID with which the configuration repository database (created at an earlier release) is to be accessed.

If not specified, this parameter defaults to the ServicePassword specified by **-a**.

For compatibility with existing systems, you can still specify <password>.

However, if you do not specify a password with this parameter when you run the command you are prompted to enter a password during its invocation, and to enter the password a second time to verify that you have entered it correctly.

**-s** *UserNameServerQueueManagerName*

(Optional) The name of the WebSphere MQ queue manager that is associated with the User Name Server. If this parameter is not specified, the Configuration Manager assumes that there is no User Name Server defined, and does not attempt to communicate with one.

**-w** *Workpath*

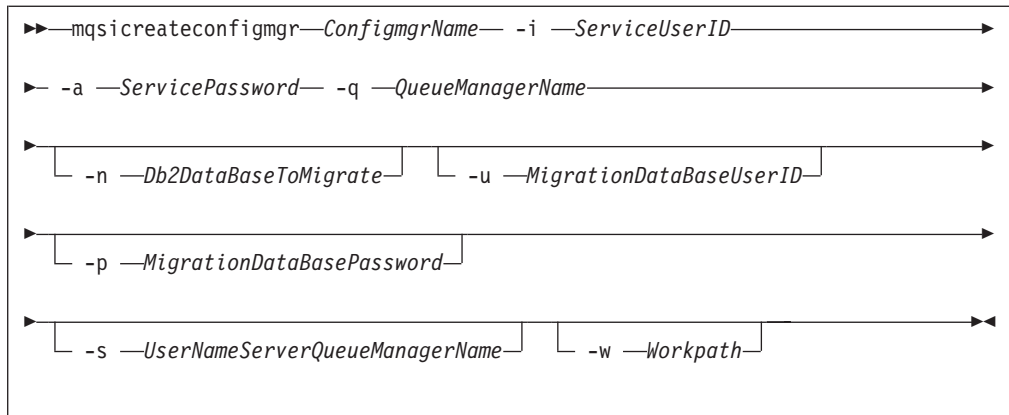
(Optional) The directory in which working files for the Configuration Manager are stored. If not specified, the default directory specified when the product was installed is used.

*Examples:*

```
mqscreateconfigmgr CMGR01 -i wbrkuid -a wbrkpw -q WBRK_CONFIG_QM
```

**mqscreateconfigmgr command - Linux and UNIX systems:**

*Syntax:*



*Parameters:*

*ConfigmgrName*

(Required) The name of the Configuration Manager that you want to create.

This must be the first parameter specified and the name is case-sensitive.

**-i** *ServiceUserID*

(Required) The user ID under which the service runs.

(Optional) This can be specified in any valid user name syntax for the platform.

The *ServiceUserID* specified must be a member (either direct or indirect) of the local group **mqbrkrs**, and must be authorized to access the home directory (where WebSphere Message Broker has been installed), and the working directory (if specified by the **-w** flag).

This user ID must also be a member (either direct or indirect) of the local group **mqm**.

The security requirements for the *ServiceUserID* are detailed in “Security requirements for Linux and UNIX platforms” on page 684.

**-a** *ServicePassword*

(Required) The password for the *ServiceUserID*.

For compatibility with existing systems, you can still specify <password>.

However, if you do not specify a password with this parameter when you run the command you are prompted to enter a password during its invocation, and to enter the password a second time to verify that you have entered it correctly.

**-q** *QueueManagerName*

(Required) The name of the queue manager associated with the Configuration Manager.

If the queue manager does not already exist, it is created by this command. It is not created as the default queue manager: if you want it to be the default queue manager on this system, create the queue manager before you issue this command.

The queue manager attribute **MAXMSGL** (maximum length of messages that can be put to queues) is updated to 100 MB. This update is done whether or not the queue manager is created by this command.



**-n** *Db2DatabaseToMigrate*

(Optional) The name of the database that you created at an earlier release to hold the configuration repository tables.

This database must already exist. You do not need to create an ODBC connection for this database, because access is provided by JDBC.

**-u** *MigrationDataBaseUserID*

(Optional) The user ID with which the configuration repository database (created at an earlier release) is to be accessed.

**-p** *MigrationDataBasePassword*

(Optional) The password of the user ID with which the configuration repository database (created at an earlier release) is to be accessed.

If not specified, this parameter defaults to the *ServicePassword* specified by **-a**.

For compatibility with existing systems, you can still specify *<password>*.

However, if you do not specify a password with this parameter when you run the command you are prompted to enter a password during its invocation, and to enter the password a second time to verify that you have entered it correctly.

**-s** *UserNameServerQueueManagerName*

(Optional) The name of the WebSphere MQ queue manager that is associated with the User Name Server. If this parameter is not specified, the Configuration Manager assumes that there is no User Name Server defined, and does not attempt to communicate with one.

**-w** *Workpath*

(Optional) The directory in which working files for the Configuration Manager are stored. If not specified, the default directory specified when the product was installed is used.

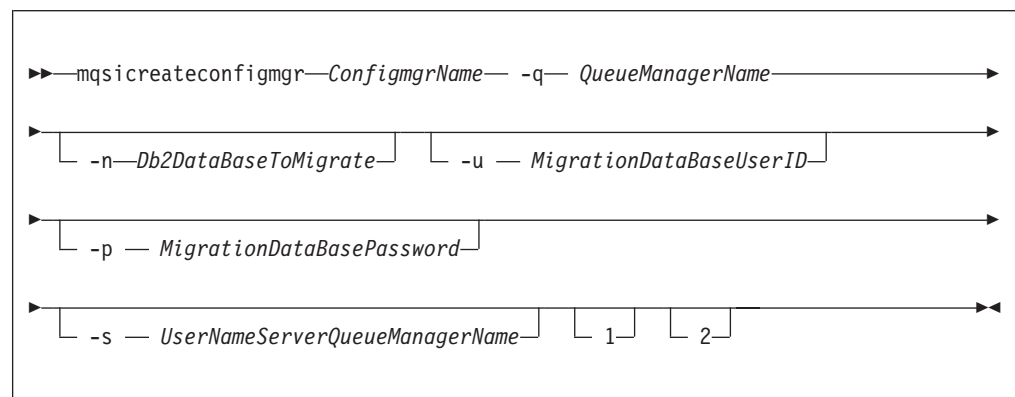
*Examples:*

```
mqsicreateconfigmgr CMGR01 -i wbrkuid -a wbrkpw -q WBRK_CONFIG_QM
```

**mqsicreateconfigmgr command - z/OS:**

*Syntax:*

*z/OS command - BIPRCM:*



*Parameters:*

*ConfigmgrName*

(Required) The name of the Configuration Manager that you want to create.

This must be the first parameter specified and the name is case-sensitive.

**-q** *QueueManagerName*

(Required) The name of the queue manager associated with the Configuration Manager.

If the queue manager does not already exist, it is created by this command. It is not created as the default queue manager: if you want it to be the default queue manager on this system, create the queue manager before you issue this command.

The queue manager attribute MAXMSGL (maximum length of messages that can be put to queues) is updated to 100 MB. This update is done whether or not the queue manager is created by this command.

**-n** *Db2DatabaseToMigrate*

(Optional) The name of the database that you created at an earlier release to hold the configuration repository tables.

This database must already exist. You do not need to create an ODBC connection for this database, because access is provided by JDBC.

**-u** *MigrationDataBaseUserID*

(Optional) The user ID with which the configuration repository database (created at an earlier release) is to be accessed.

**-p** *MigrationDataBasePassword*

(Optional) The password of the user ID with which the configuration repository database (created at an earlier release) is to be accessed.

For compatibility with existing systems, you can still specify <password>. However, if you do not specify a password with this parameter when you run the command you are prompted to enter a password during its invocation, and to enter the password a second time to verify that you have entered it correctly.

**-s** *UserNameServerQueueManagerName*

(Optional) The name of the WebSphere MQ queue manager that is associated with the User Name Server. If this parameter is not specified, the Configuration Manager assumes that there is no User Name Server defined, and does not attempt to communicate with one.

**-w** *Workpath*

(Optional) The directory in which working files for the Configuration Manager are stored. If not specified, the default directory specified when the product was installed is used.

**1** (Optional) The registry pass that creates only the Configuration Manager registry.

**2** (Optional) The WebSphere MQ pass that creates only the Configuration Manager WebSphere MQ queues.

**Note:** This action can be performed only if the Configuration Manager registry exists.

*Examples:*

```
mqsicreateconfigmgr CMGR01 -q WBRK_CONFIG_QM -1
```

## **mqsicreateconfigurableservice command**

Use the `mqsicreateconfigurableservice` command to create a new object name for a broker external resource, such as a JMS provider, JDBC provider, TCPIPClient, TCPIPServer, FTP server, monitoring profile, SAP adapter, or IMS instance.

### **Supported platforms:**

- Windows
- Linux and UNIX systems
- z/OS. Run this command by customizing and submitting BIPCRCS; see “Contents of the broker PDSE” on page 640

### **Purpose:**

For configurable services that you add using the `mqsicreateconfigurableservice` command:

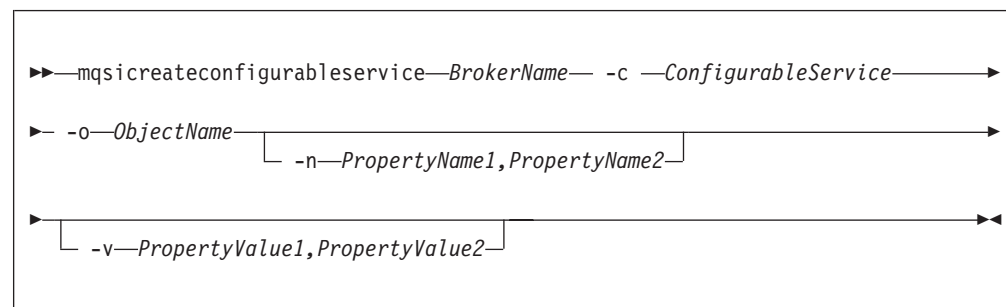
- Use the `mqsireportproperties` command to view the configurable services.
- Use the `mqsichangeproperties` command to modify the configurable services.
- Use the `mqsdeleteconfigurableservice` command to delete configurable services.

You do not need to use the `mqsicreateconfigurableservice` command to create EIS providers, because they are already defined. Use the `mqsichangeproperties` command to modify them.

### **Usage notes:**

- Before you run this command, ensure that the broker is running.
- Stop and restart the broker before you use any new broker resources and properties.

### **Syntax:**



### **Parameters:**

#### *BrokerName*

(Required) The name of the broker to modify. This parameter must be the first parameter.

#### **-c** *ConfigurableService*

(Required) The type of external resource (configurable service). Use the `mqsireportproperties` command to view the list of valid values.

The valid resource types are listed in “Configurable services properties” on page 438.

**-o** *ObjectName*

(Required) The name of the object whose properties you want to change.

The valid object names are listed in “Configurable services properties” on page 438.

For example, if the **-c** parameter is set to `JDBCProviders`, the expected object name is either an IBM-defined JDBC provider name, or a user-defined JDBC provider name. Default services are provided for the supported databases to which you can connect over JDBC type 4 connections. Use the supplied services as a template when you create a new service using this command. Use the `mqsireportproperties` command to view the list of default provider names.

If the **-c** parameter is set to `SecurityProfiles`, the expected object name is the name of a new security profile for the broker.

If the **-c** parameter is set to `FtpServer`, the object name is the name of an FTP server specified as a property on the **FTP** tab of the `FileInput` or `FileOutput` node. It is a user-defined name that identifies the remote FTP server and the series of properties that are defined here.

If the **-c** parameter is set to `IMSCoconnect`, the expected object name is the name of an IMS Connect service.

If the **-c** parameter is set to `MonitoringProfiles`, the expected object name is the monitoring profile name.

If the **-c** parameter is set to `SAPConnection`, the expected object name is the name of an SAP service.

If the **-c** parameter is set to `TCPIPClient`, the expected object name is the name of a `TCPIPClient` configurable service.

If the **-c** parameter is set to `TCPIPServer`, the expected object name is the name of a `TCPIPServer` configurable service.

**-n** *PropertyName*

(Optional) The name of the property that is being changed.

The valid property names are listed in “Configurable services properties” on page 438.

**-v** *PropertyValue*

(Optional, but required if the **-n** parameter is specified) The value that is assigned to the property that is specified by the **-n** parameter. You can specify more than one property name and corresponding value using commas as separators; for example, `-n Name1,Name2 -v Value1,Value2`.

**UNIX** On UNIX, if the **-v** parameter contains a semi-colon (;), enclose the entire string in quotation marks, as shown in the following example:

```
mqsicreateconfigurableservice WBRK_BROKER -c JDBCProviders -o DB2EXTRA -n connectionUrlFormat  
-v "jdbc:db2://[serverName]:[portNumber]/[databaseName]:user=[user];password=[password];"
```

The property values are described in “Configurable services properties” on page 438.

**Authorization:**

On Windows Vista and Windows Server 2008 systems, the user ID used to run this command must be running with elevated privileges on the local system:

- The user ID must be a member of the group Administrators.

- The command must be started from an environment that has **Run as Administrator** authority.

If you do not run the command from a privileged environment, you are asked to confirm that you want to continue. When you click **OK**, a new privileged command console is created and the command completed, but all responses are written to the privileged environment and are lost when that console closes when the command completes.

On all operating systems, the user ID must be a member of the mqbrkrs group.

#### Responses:

This command returns the following responses

- BIP8011 Unable to create configuration data
- BIP8012 Unable to connect to system components
- BIP8014 Component cannot be created
- BIP8073 Invalid broker name
- BIP8983 Configurable service already exists
- BIP8984 Configurable service was not found

#### Examples:

Create an FtpServer configurable service:

```
mqsicreateconfigurableservice WBRK6_DEFAULT_BROKER -c FtpServer -o Server01
-n serverName,scanDelay,transferMode,connectionType,securityIdentity
-v one.hursley.abc.com:123,20,ACTIVE,secId
```

Create an IMSConnect configurable service for the IMS instance IMSA that is running on test.ims.ibm.com port 9999:

```
mqsicreateconfigurableservice WBRK61_DEFAULT_BROKER -c IMSConnect -o myIMSConnectService
-n Hostname,PortNumber,DataStoreName -v test.ims.ibm.com,9999,IMSA
```

Add a JMS provider called MyProviderXYZ for broker WBRK61\_DEFAULT\_BROKER:

```
mqsicreateconfigurableservice WBRK61_DEFAULT_BROKER -c JMSProviders -o JMS_MyProviderXYZ
```

Add a JMS provider called ProviderABC for broker WBRK61\_DEFAULT\_BROKER with default values for the resource properties:

```
mqsicreateconfigurableservice WBRK6_DEFAULT_BROKER -c JMSProviders -o JMS_ProviderABC
```

Add a JMS provider called ProviderABC for broker WBRK61\_DEFAULT\_BROKER specifying a location for the provider's jar files, and a library path for the native libraries that are associated with those jar files:

```
mqsicreateconfigurableservice WBRK6_DEFAULT_BROKER -c JMSProviders -o JMS_ProviderABC
-n jarsURL,nativeLibs -v file:///D:\ProviderABC\java,D:\ProviderABC\libs
```

Add a JMS provider called BEAV91 for broker WBRK61\_DEFAULT\_BROKER, specifying the name of an IBM-supplied Java class called com.ibm.broker.apihandler.BEAWebLogicAPIHandler to handle vendor specific API calls:

```
mqsicreateconfigurableservice WBRK61_DEFAULT_BROKER -c JMSProviders -o BEAV91
-n proprietaryAPIHandler,proprietaryAPIAttr1,proprietaryAPIAttr2,proprietaryAPIAttr3
-v com.ibm.broker.apihandler.BEAWebLogicAPIHandler,weblogic.jndi.WLInitialContextFactory,
t3://19.21.194.126:7001,BEAServerName
```

Create a monitoring profile with the name 'mp1' to broker  
WBRK6\_DEFAULT\_BROKER:

```
mqsicreateconfigurableservice WBRK6_DEFAULT_BROKER -c MonitoringProfiles -o mp1
```

Create an SAPConnection configurable service for the SAP adapter  
*mySAPAdapter.outadapter* that connects to the SAP host test.sap.ibm.com, and uses  
client 001 for the connections into that server. :

```
mqsicreateconfigurableservice WBRK61_DEFAULT_BROKER -c SAPConnection -o mySAPAdapter.outadapter  
-n applicationServerHost,client -v test.sap.ibm.com,001
```

Create a security profile for TFIM use::

```
mqsicreateconfigurableservice WBRK6_DEFAULT_BROKER -c SecurityProfiles -o TFIM  
-n authentication,mapping,authorization,propagation,mappingConfig  
-v TFIM,TFIM,TFIM,TRUE,http://tfimhost1.ibm.com:9080
```

Create a TCPIPService configurable service:

```
mqsicreateconfigurableservice WBRK6_DEFAULT_BROKER -c TCPIPService -o ServerPort1452  
-n Port,MaximumConnections,ExpireConnectionSec -v 1452,1000,15
```

Create a TCPIPClient configurable service:

```
mqsicreateconfigurableservice WBRK6_DEFAULT_BROKER -c TCPIPClient  
-o ClientPort1452HostnameJsmith  
-n Port,Hostname,MinimumConnections,MaximumConnections  
-v 1452,jsmith.hursley.ibm.com,5,10
```

## mqsicreatedb command

Use the `mqsicreatedb` command to create a database for a broker. On Windows XP and Windows Server 2003, you can create either a DB2 or a Derby database. On Windows Vista or Windows Server 2008, you can create only a DB2 database.

### Supported platforms:

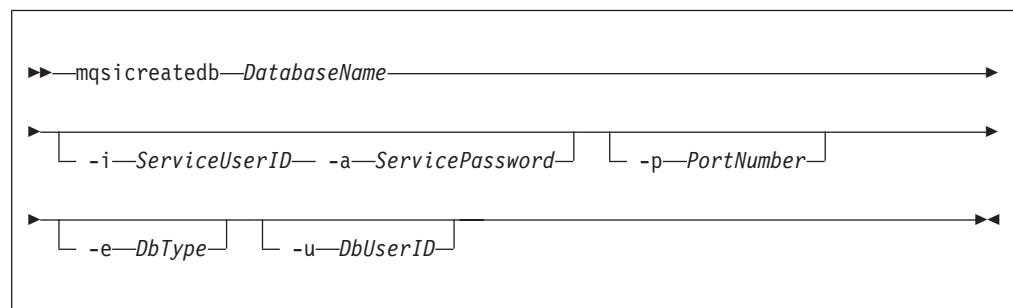
- Windows

### Purpose:

The `mqsicreatedb` command creates a database and makes it accessible to the broker. The command creates the database, creates an ODBC data source name, and if necessary, depending on the database type, creates and starts a Windows service. The command creates at most a single instance of the Windows service for each installation of a major product version.

This command supports only the installed DB2 and Derby database engines.

### Syntax:



## Parameters:

### *DatabaseName*

(Required) The name of the database you want to create, which is case sensitive. You must specify this parameter first. Restrictions might be placed on the permissible length of the database name by the database engine. For restrictions on the character set that can be used, see “Characters allowed in commands” on page 374.

### **-i** *ServiceUserID*

(Optional, Derby only) The user ID under which the DatabaseInstanceMgr service runs.

Specify this parameter in any valid user name syntax:

- domain\username
- \\server\username
- .\username
- username

If you use the unqualified form for this user ID (username), the operating system searches for the user ID throughout its domain, starting with the local system. This search might take some time to complete.

The ServiceUserID specified must be a member of the local group mqbrkrs. The ID can be a direct or indirect member of the group. The ServiceUserID must also be authorized to access the home directory (where you have installed WebSphere Message Broker).

This parameter is ignored if the database engine specified or defaulted for the command is DB2. A ServiceUserID is required for Derby, but only for the first invocation of this command. Subsequent invocations are associated with the existing Windows DatabaseInstanceMgr service that runs under the ServiceUserID specified on the earlier command

### **-a** *ServicePassword*

(Optional, Derby only) The password for the ServiceUserID. Specify this parameter only if you specify ServiceUserID.

### **-p** *PortNumber*

(Optional) The TCP/IP port number that this component will use on the local machine. If not specified, the default value 1527 is used.

### **-e** *DbType*

(Optional) The database engine to be used to create and run the database. Supported values are DB2 and Derby. If you do not specify this option, and only one database engine is available, that engine is used. If both are available, the default engine is DB2.

On Windows Vista and Windows Server 2008, only DB2 is supported.

### **-u** *DbUserID*

(Optional, DB2 only) An additional user name that requires access to the database that is created by this command.

## Authorization:

On Windows XP and Windows Server 2003 systems, the user ID used to run this command must be a member of the group Administrators on the local system.

On Windows Vista and Windows Server 2008 systems, the user ID used to run this command must be running with elevated privileges on the local system:

- The user ID must be a member of the group Administrators.
- The command must be started from an environment that has **Run as Administrator** authority.

If you do not run the command from a privileged environment, you are asked to confirm that you want to continue. When you click **OK**, a new privileged command console is created and the command completed, but all responses are written to the privileged environment and are lost when that console closes when the command completes.

On all platforms, the userID must be a member of the mqbrkrs group.

### Examples:

The following example sets up a database with the name brokerdb on port 1600:  
`mqsicreatedb brokerdb -p 1600`

The following example sets up a Derby database with the name derbydb, using port number 1527:

`mqsicreatedb derbydb -i wbrkuid -a wbrkpw -e Derby -p 1527`

### mqsicreateexecutiongroup command

Use the `mqsicreateexecutiongroup` command to add a new execution group to a broker.

#### Supported platforms:

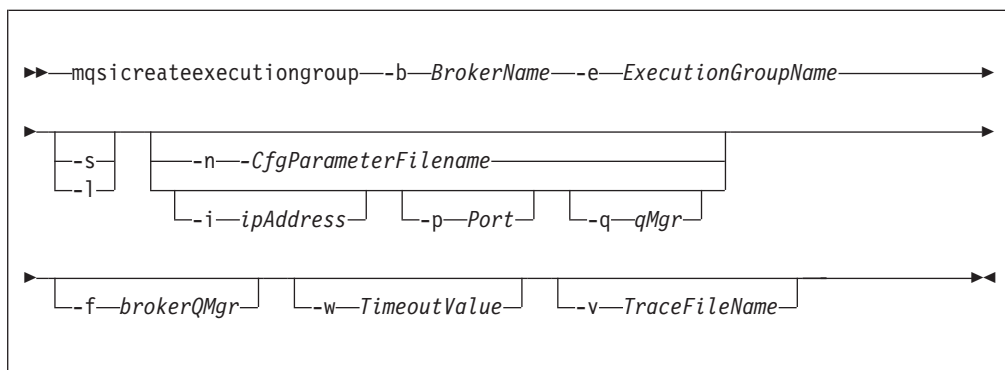
- Windows
- Linux and UNIX systems
- z/OS. Run this command by customizing and submitting BIPCREG; see “Contents of the Configuration Manager PDSE” on page 643

#### Purpose:

You must start the Configuration Manager before you can issue the `mqsicreateexecutiongroup` command.

You can use the `mqsicreateexecutiongroup` command to add a new broker to the Configuration Manager.

#### Syntax:



#### Parameters:



- b** *BrokerName*  
(Required) The name of the broker on which to create the execution group.
- e** *ExecutionGroupName*  
(Required) The name of the new execution group.
- s** (Optional) Create a 32 bit execution group.
- l** (Optional) Create a 64 bit execution group.
- n** *CfgParameterFileName*  
(Optional) This parameter specifies the name of a .configmgr file that describes the connection parameters to the Configuration Manager.

The file is in XML, using the .configmgr format that is saved by the workbench; for example:

```
<?xml version="1.0" encoding="UTF-8"?>
<configmgr crlNameList="" domainName="" host="winmvsd0" listenerPort="2206"
queueManager="mq06" securityExit="" securityExitJar="" sslCipherSuite="NONE"
sslDistinguishedNames="" sslKeyStore="" sslTrustStore="" svrconn="SYSTEM.BKR.CONFIG"/>
```

If you are using this file on z/OS you must remove the statement encoding="UTF-8" from the first line, and remove the value for the host attribute, to leave the statement as:

```
<?xml version="1.0"?>
<configmgr crlNameList="" domainName="" host="" listenerPort="2206"
queueManager="mq06" securityExit="" securityExitJar="" sslCipherSuite="NONE"
sslDistinguishedNames="" sslKeyStore="" sslTrustStore="" svrconn="SYSTEM.BKR.CONFIG"/>
```

- i** *IpAddress*  
(Optional) This parameter specifies the host name or IP address of the Configuration Manager. If this parameter is not specified, the default value "" is used, which results in a local binding connection.
- p** *Port*  
(Optional) This parameter is the port number of the Configuration Manager. If this parameter is not specified, the default value 1414 is used.
- q** *QMgr*  
(Optional) This parameter specifies the name of the WebSphere MQ queue manager that the Configuration Manager is using. If this parameter is not specified, the default value "" is used.
- f** *brokerQMgr*  
Forces a broker with the supplied queue manager name to be defined in the Configuration Manager, if it does not already exist. If the broker is already defined in the Configuration Manager, this flag is ignored.
- w** *TimeoutValue*  
(Optional) This parameter is the time in seconds that the utility waits to ensure that the command completed; the default value is 60.
- v** *TraceFileName*  
(Optional) This parameter sends internal debug trace information to the specified file.

#### **Authorization:**

On Windows Vista and Windows Server 2008 systems, the user ID used to run this command must be running with elevated privileges on the local system:

- The user ID must be a member of the group Administrators.

- The command must be started from an environment that has **Run as Administrator** authority.

If you do not run the command from a privileged environment, you are asked to confirm that you want to continue. When you click **OK**, a new privileged command console is created and the command completed, but all responses are written to the privileged environment and are lost when that console closes when the command completes.

On Windows, Linux, and UNIX systems, the user ID used to run this command must be a member of the group mqm.

The command succeeds only if this user ID has the correct authority defined in the access control list for the Configuration Manager. To create an execution group, full control authority is required over the broker object; see “ACL permissions” on page 683 for a list of permissions that can be defined in the Configuration Manager.

#### **Responses:**

The mqsicreateexecutiongroup command returns the following responses:

- 0 (Success) States that the request completed successfully and the execution group has been created successfully in the Configuration Manager’s repository. The next time the broker is deployed, the new execution group list is initialized on the broker.
- 2 (Failure) States that the execution group could not be created for any reason.
- 98 States that the Configuration Manager cannot be reached.
- 99 States that the supplied arguments to the utility are not valid.

#### **Examples:**

On the domain controlled by the Configuration Manager with an associated queue manager called QMGR, which is listening on fred.abc.com:1414, create an execution group called EG1 on broker BROKER.

```
mqsicreateexecutiongroup -i fred.abc.com -p 1414 -q QMGR -b BROKER -e EG1
```

On the domain specified by the file domain1.configmgr, create an execution group called EG2 on broker BROKER.

```
mqsicreateexecutiongroup -n domain1.configmgr -b BROKER -e EG2
```

On the domain specified by the file domain2.configmgr, create an execution group EG3 on broker FRED. Wait five minutes for the Configuration Manager to respond, and send output to trace.txt.

```
mqsicreateexecutiongroup -n domain2.configmgr -b FRED -e EG3 -w 300 -v trace.txt
```

### **mqsicreateusername server command**

Use the mqsicreateusername server command to create a User Name Server and its associated resources.

#### **Supported platforms:**

- Windows
- Linux and UNIX systems

- z/OS. Run this command by customizing and submitting BIPCRUN; see “Contents of the User Name Server PDSE” on page 642

**Purpose:**

The `mqsicreateusernameserver` command:

1. Checks whether the specified WebSphere MQ queue manager already exists. If it does not exist:
  - If you run this command on z/OS, it reports an error and fails.
  - If you run this command on Linux, UNIX, or Windows, this command creates a queue manager.

If the queue manager is created on Windows by this command, it is not started as a service. The queue manager stops if you log off. Therefore either remain logged on, or change the startup status of the queue manager service. If you lock your workstation, the WebSphere MQ queue manager does not stop.

If you use WebSphere MQ clusters in your domain, define the queue manager before you run this command, and configure the queue manager in the cluster to benefit from reduced administration and increased availability.
2. Starts the WebSphere MQ queue manager if it is not already running, except on z/OS.
3. Connects to the associated queue manager.
4. Creates the WebSphere MQ queues that are required by the User Name Server, if they do not already exist.
5. On Windows only, installs a service under which the User Name Server runs.
6. Creates a record for the component in the registry.

Select the appropriate link for details of this command on the platform, or platforms, that your enterprise uses:

- “`mqsicreateusernameserver` command - Windows”
- “`mqsicreateusernameserver` command - Linux and UNIX systems” on page 517
- “`mqsicreateusernameserver` command - z/OS” on page 519

**Authorization:**

On Windows Vista and Windows Server 2008 systems, the user ID used to run this command must be running with elevated privileges on the local system:

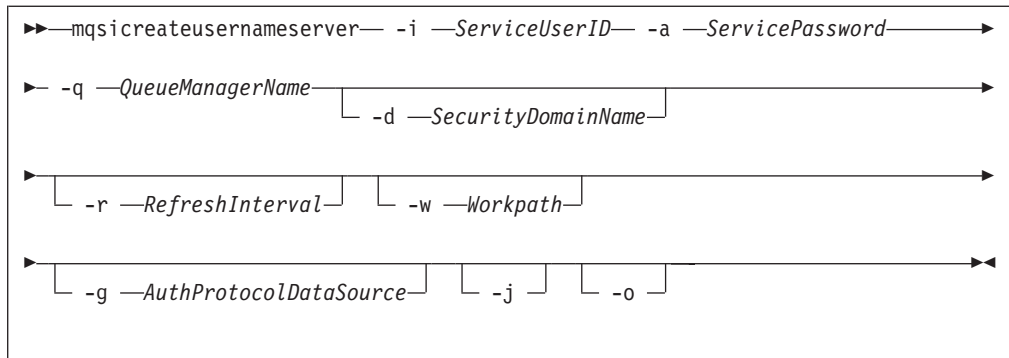
- The user ID must be a member of the group Administrators.
- The command must be started from an environment that has **Run as Administrator** authority.

If you do not run the command from a privileged environment, you are asked to confirm that you want to continue. When you click **OK**, a new privileged command console is created and the command completed, but all responses are written to the privileged environment and are lost when that console closes when the command completes.

On other platforms, no specific authority is required to run this command.

**`mqsicreateusernameserver` command - Windows:**

*Syntax:*



*Parameters:*

**-i** *ServiceUserID*

(Required) The user ID under which the broker runs.

The security requirements for the *ServiceUserID* are detailed in “Security requirements for Windows platforms” on page 685.

*ServiceUserID* can be specified in any valid user name syntax. On Windows platforms, these are:

- domain\username
- \\server\username
- .\username
- username

If you use the unqualified form for this user ID (username), the operating system searches for the user ID throughout its domain, starting with the local system; this search might take some time to complete. The *ServiceUserID* specified must be:

- A direct or indirect member of the local group **mqbrkrs**.
- A direct or indirect member of the local group **mqm**
- Authorized to access the home directory (where WebSphere Message Broker has been installed).

**-a** *ServicePassword*

(Required) The password for the *ServiceUserID*.

For compatibility with existing systems, you can still specify <password>.

However, if you do not specify a password with this parameter when you run the command you are prompted to enter a password during its invocation, and to enter the password a second time to verify that you have entered it correctly.

**-q** *QueueManagerName*

(Required) The name of the queue manager associated with the User Name Server.

If the queue manager does not already exist, it is created by this command, however, it is not created as the default queue manager. If you want the queue manager to be the default queue manager on this system, you must create it before you issue this command.

The queue manager attribute **MAXMSGL** (maximum length of messages that can be put to queues) is updated to 100 MB. This is done whether or not the queue manager is created by this command.

**-d** *SecurityDomainName*

(Optional) The name of the Windows system security domain.

If this is not specified, it defaults to the system's local Windows system security domain. For more details about the implementation of security in WebSphere Message Broker, see "Setting up broker domain security" on page 45.

**-r** *RefreshInterval*

(Optional) The interval, specified in seconds, at which the User Name Server interrogates the security subsystem for changes to user or group attributes. If it is not specified, the User Name Server's default interval of 60 seconds is used.

**-w** *Workpath*

(Optional) The directory in which working files for the User Name Server are stored. If not specified, the default value specified when the product was installed is used.

**-g** *AuthProtocolDataSource*

(Optional) Use this parameter to specify the name and location of the password file used to source any protocol related information. By default, the file is expected to be found in the home directory. If you store the file in a different location, specify the full path location with file name.

Two samples, `password.dat` and `pwgroup.dat`, are provided in the `examples/auth` directory under the product home directory.

(Optional) Use this parameter to specify the name of the data source required by the authentication protocol.

**-j** (Optional) Indicates that groups and group memberships are defined in the data source for the authentication protocol, rather than being drawn from the operating system.

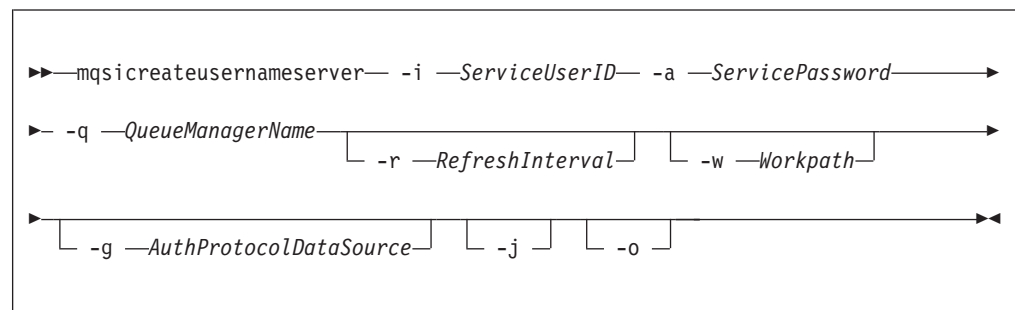
**-o** (Optional) Indicates that groups and group memberships are drawn from the operating system, rather than being defined in the data source for the authentication protocol.

*Examples:*

```
mqsicreateusernameserver -i wbrkuid -a wbrkpw  
-q WBRK_QM -r 1000
```

**mqsicreateusernameserver command - Linux and UNIX systems:**

*Syntax:*



*Parameters:*

**-i** *ServiceUserID*

(Required) The user ID under which the broker runs.

The security requirements for the *ServiceUserID* are detailed in “Security requirements for Linux and UNIX platforms” on page 684. The *ServiceUserID* specified must be:

- Specified in the form `username`.
- A direct or indirect member of the local group `mqbrkrs`.
- A direct or indirect member of the local group `mqm`
- Authorized to access the home directory (where WebSphere Message Broker has been installed).

**-a** *ServicePassword*

(Required) The password for the *ServiceUserID*.

For compatibility with existing systems, you can still specify `<password>`. However, if you do not specify a password with this parameter when you run the command you are prompted to enter a password during its invocation, and to enter the password a second time to verify that you have entered it correctly.

**-q** *QueueManagerName*

(Required) The name of the queue manager associated with the User Name Server.

If the queue manager does not already exist, it is created by this command, however, it is not created as the default queue manager. If you want the queue manager to be the default queue manager on this system, you must create it before you issue this command.

The queue manager attribute `MAXMSGL` (maximum length of messages that can be put to queues) is updated to 100 MB. This is done whether or not the queue manager is created by this command.

**-r** *RefreshInterval*

(Optional) The interval, specified in seconds, at which the User Name Server interrogates the security subsystem for changes to user or group attributes. If it is not specified, the User Name Server’s default interval of 60 seconds is used.

**-w** *Workpath*

(Optional) The directory in which working files for the User Name Server are stored. If not specified, the default value specified when the product was installed is used.

**-g** *AuthProtocolDataSource*

(Optional) Use this parameter to specify the name and location of the password file used to source any protocol related information. By default, the file is expected to be found in the home directory. If you store the file in a different location, specify the full path location with file name.

Two samples, `password.dat` and `pwgroup.dat`, are provided in the `examples/auth` directory under the product home directory.

(Optional) Use this parameter to specify the name of the data source required by the authentication protocol.

**-j** (Optional) Indicates that groups and group memberships are defined in the data source for the authentication protocol, rather than being drawn from the operating system.

- o (Optional) Indicates that groups and group memberships are drawn from the operating system, rather than being defined in the data source for the authentication protocol.

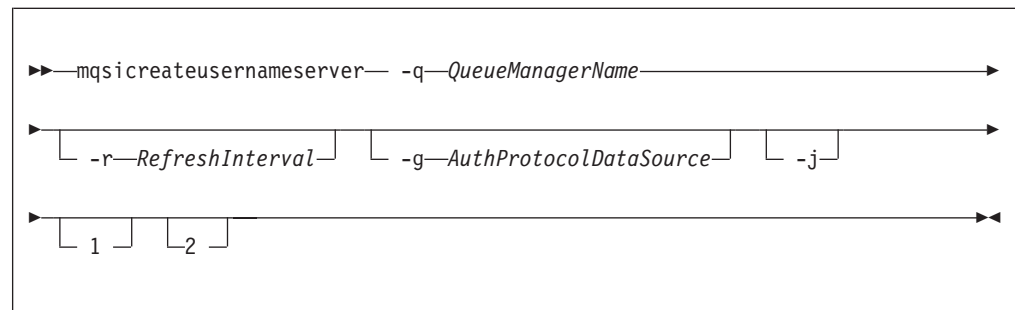
Examples:

```
mqsicreateusernameserver -i wbrkuid -a wbrkpw
-q WBRK_QM -r 1000
```

### mqsicreateusernameserver command - z/OS:

Syntax:

z/OS command - BIPCRUN:



Parameters:

#### -q QueueManagerName

(Required) The name of the queue manager associated with the User Name Server.

The queue manager attribute MAXMSGL (maximum length of messages that can be put to queues) is updated to 100 MB. This is done whether or not the queue manager is created by this command.

#### -r RefreshInterval

(Optional) The interval, specified in seconds, at which the User Name Server interrogates the security subsystem for changes to user or group attributes. If it is not specified, the User Name Server's default interval of 60 seconds is used.

#### -g AuthProtocolDataSource

(Optional) Use this parameter to specify the name and location of the password file used to source any protocol related information. By default, the file is expected to be found in the home directory. If you store the file in a different location, specify the full path location with file name.

Two samples, password.dat and pwgroup.dat, are provided in the examples/auth directory under the product home directory.

#### -j (Optional) Indicates that groups and group memberships are defined in the data source for the authentication protocol, rather than being drawn from the operating system.

1 (Optional) The registry pass, which creates only the User Name Server registry.

2 (Optional) The WebSphere MQ pass, which creates only the User Name Server WebSphere MQ queues.

Examples:

```
mqsicreateusernameserver -i wbrkuid -a wbrkpw  
-q WBRK_QM -r 1000
```

## mqsicvp command

Use the mqsicvp command to perform verification tests on a broker or Configuration Manager.

### Supported platforms:

- Windows
- Linux and UNIX systems

When you start a broker or Configuration Manager by using the mqsistart command, this command is run automatically to verify the component.

On z/OS, the same verification procedures are run automatically when you start a broker or a Configuration Manager.

You can run this command against a component that is running, or is not running. If the component is not running, the verification tests are performed, but the component is not started.

### Purpose:

The mqsicvp command:

- Checks that the component environment is set up correctly; for example, that the installed level of Java is supported.
- Verifies that the WebSphere MQ queues are defined and accessible.
- If the component is a broker, checks that the expected database tables are present.

The mqsicvp command completes all these checks, and fails if one or more checks fail. It reports all errors in the system log, or to the command line, or both.

### Syntax:

```
►► mqsicvp Component ◀◀
```

### Parameters:

*Component*

(Required) You must specify a broker name or a Configuration Manager name.

Linux

UNIX

All names are case sensitive on Linux and UNIX systems.

### Authorization:

On Windows Vista and Windows Server 2008 systems, the user ID used to run this command must be running with elevated privileges on the local system:

- The user ID must be a member of the group Administrators.
- The command must be started from an environment that has **Run as Administrator** authority.



If you do not run the command from a privileged environment, you are asked to confirm that you want to continue. When you click **OK**, a new privileged command console is created and the command completed, but all responses are written to the privileged environment and are lost when that console closes when the command completes.

On all Windows systems, you must run this command as the user ID that is defined as the service user ID for the component. You specified the service user ID on the **-i** parameter when you created the component by using the `mqsicreatebroker` or the `mqsicreateconfigmgr` command.

Therefore, on Windows Vista and Windows Server 2008, the service user ID must be a member of the group Administrators if you choose to run this command.

On Linux and UNIX systems, run this command as the user ID under which you started, or will start, the component by using the `mqsistart` command.

#### Responses:

- BIP8873I: Starting the component verification for component '*component\_name*'.
- BIP8874I: The component verification for '*component\_name*' has finished successfully.
- BIP8875W: The component verification for '*component\_name*' has finished, but one or more checks failed.
- BIP8876I: Starting the environment verification for component '*component\_name*'.
- BIP8877W: The environment verification for component '*component\_name*' has finished, but one or more checks failed.
- BIP8878I: The environment verification for component '*component\_name*' has finished successfully.
- BIP8879I: Starting the database verification for component '*component\_name*'.
- BIP8880W: The database verification for component '*component\_name*' has finished, but one or more checks failed.
- BIP8881I: The database verification for component '*component\_name*' has finished successfully.
- BIP8882I: Starting the WebSphere MQ verification for component '*component\_name*'.
- BIP8883W: The WebSphere MQ verification for component '*component\_name*' has finished, but one or more checks failed.
- BIP8884I: The WebSphere MQ verification for component '*component\_name*' has finished successfully.
- BIP8885E: Verification failed. Failed to connect to queue manager '*queue\_manager\_name*'. MQRC: *return\_code* MQCC: *completion\_code*
- BIP8886I: Verification passed for queue '*queue\_name*' on queue manager '*queue\_manager\_name*'.
- BIP8887E: Verification failed for queue '*queue\_name*' on queue manager '*queue\_manager\_name*' while issuing '*operation*'. MQRC: *return\_code* MQCC: *completion\_code*
- BIP8888E: Verification failed. Failed to disconnect from queue manager '*queue\_manager\_name*'. MQRC: *return\_code* MQCC: *completion\_code*
- BIP8889E: Verification failed for table '*table\_name*' in broker database '*database\_name*'. Subsequent messages contain further information.
- BIP8890I: Verification passed for table '*table\_name*' in database '*database\_name*'.

- BIP8891E: Verification failed. Failed to connect to database '*database\_name*' with user ID '*user\_ID*'. Subsequent messages contain further information.
- BIP8892E: Verification failed. The installed Java level '*level\_installed*' does not meet the required Java level '*level\_supported*'.
- BIP8893E: Verification failed for environment variable '*variable\_name*'. Unable to access file '*file\_name*' with user ID '*user\_ID*'. Additional information for IBM support: *data1 data2*.
- BIP8894I: Verification passed for '*component\_name*'.
- BIP8895E: Verification failed. Environment variable '*variable\_name*' is incorrect or missing.
- BIP8896E: Verification failed. Unable to access the registry with user ID '*user\_ID*'. Additional information for IBM support: *data1 data2*
- BIP8897E: Verification failed. Environment variable '*variable\_name*' does not match the component name '*component\_name*'.
- BIP8898E: Verification failed. Table '*table\_name*' in database '*database\_name*' contains no columns.
- BIP8899E: Verification failed. Table '*table\_name*' in database '*database\_name*' contains '*number\_of\_rows*' rows, but must contain exactly 1 row.
- BIP8900I: APF Authorization check successful for file '*file\_name*'.
- BIP8903E: Verification failed. The APF Authorization check failed for file '*file\_name*'.
- BIP8904E: Verification failed. Failed to stat file '*file\_name1*' with return code '*return\_code*' and errno '*error\_number*'.

**Examples:**

```
mqsicvp WBRK_BROKER
mqsicvp ConfigMgr
```

**mqsdeleteaclentry command**

Use the mqsdeleteaclentry command to delete a Configuration Manager access control list entry that you have defined.

**Supported platforms:**

- Windows
- Linux and UNIX systems
- z/OS. Run this command in one of two ways - as a console command, or by customizing and submitting BIPDLACL; see "Contents of the Configuration Manager PDSE" on page 643

**Purpose:**

Select the appropriate link for details of this command on the platform, or platforms, that your enterprise uses:

- "mqsdeleteaclentry command - Windows" on page 523
- "mqsdeleteaclentry command - Linux and UNIX systems" on page 525
- "mqsdeleteaclentry command - z/OS" on page 526

**Authorization:**

On Windows Vista and Windows Server 2008 systems, the user ID used to run this command must be running with elevated privileges on the local system:

- The user ID must be a member of the group Administrators.

- The command must be started from an environment that has **Run as Administrator** authority.

If you do not run the command from a privileged environment, you are asked to confirm that you want to continue. When you click **OK**, a new privileged command console is created and the command completed, but all responses are written to the privileged environment and are lost when that console closes when the command completes.

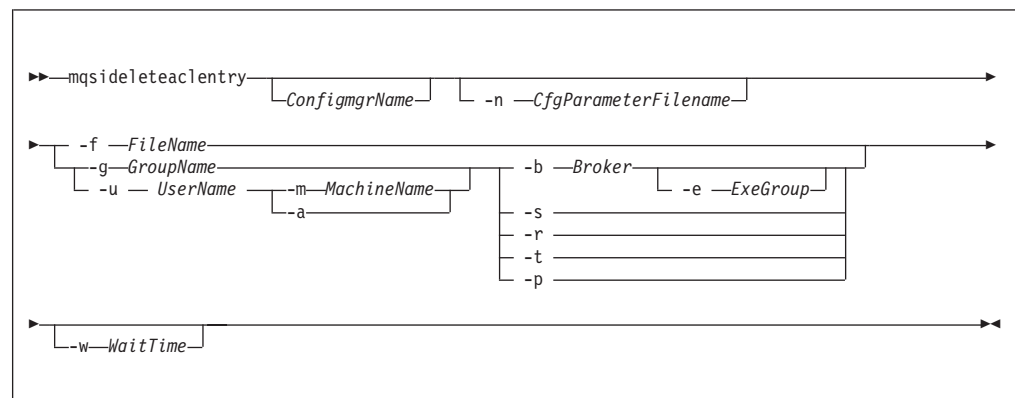
On all platforms, the user ID used to run this command must have full control permissions for the object being changed.

On Linux and UNIX, the user ID must be a member of mqbrkrs.

When z/OS commands are run through the console, they effectively run as the Configuration Manager started-task ID. Therefore the commands inherit a Full Control root ACL and you can carry out all operations. If you submit a console command to the Configuration Manager you can change all ACLs for that Configuration Manager.

#### **mqsideleteaclentry command - Windows:**

*Syntax:*



*Parameters:*

You must select:

- **-f**, or
  - **-u** and **-a**, or **-m**, or
  - **-g**, or
  - **-b**, or
  - **-s**, or
  - **-r**, or
  - **-t**, or
  - **-p**

*ConfigmgrName*

(Optional) The name of the Configuration Manager from which the access control lists are to be deleted.

The default name, if this parameter is not specified, is 'ConfigMgr'.

**-n** *CfgParameterFilename*

(Optional) This parameter specifies the name of a .configmgr file that describes the connection parameters to the Configuration Manager.

The file is in XML, using the .configmgr format that is saved by the workbench; for example:

```
<?xml version="1.0" encoding="UTF-8"?>
<configmgr crlNameList="" domainName="" host="winmvsd0" listenerPort="2206"
queueManager="mq06" securityExit="" securityExitJar="" sslCipherSuite="NONE"
sslDistinguishedNames="" sslKeyStore="" sslTrustStore="" svrconn="SYSTEM.BKR.CONFIG"/>
```

**-f** *FileName*

(Optional) The file from which to import the configuration. The output of the **mqsilistaclentry** command, with output generated using the **-f** option, is the correct format.

**-g** *GroupName*

(Optional) The local group to which this entry refers. For this reason, the name must adhere to the standard platform convention for group names.

To add a domain group, grant authority to a local group and then add the domain group, or groups, that you want to authorize into that local group. Any members of those domain groups obtain the permissions of the local group indirectly.

**-u** *UserName*

(Optional) The user name to which this entry refers, for example, TEST\ANOTHER.

**-u** and **-g** in this command refer to users and groups within the domain that the Configuration Manager uses for its security. This domain is, by default, the machine on which the Configuration Manager resides.

**-m** *MachineName*

(Optional) The name of the machine from which a specified user can connect. This option can not be used with **-a**.

**-a** (Optional) The specified user name can be on any machine. This option can not be used with **-m**.

**-b** *Broker*

(Optional) The object is a broker object, and its name is specified as a parameter.

**-e** *ExeGroup*

(Optional) The object is an execution group and its name is specified as a parameter of the form Broker\ExeGroup. You must specify the **b** flag if you specify this flag.

**-s** *Subscription*

(Optional) The object is a subscription object, and its name is specified as a parameter.

**-r** (Optional) The object refers to the root topic.

**-t** (Optional) The object refers to the main topology.

**-p** (Optional) The object refers to the "allresources" resource type. The authority that the principal has for this object applies to all objects, including the mqsicreateaclentry, mqsideleteaclentry, and mqsilistaclentry commands themselves.

**-w** *WaitTime*

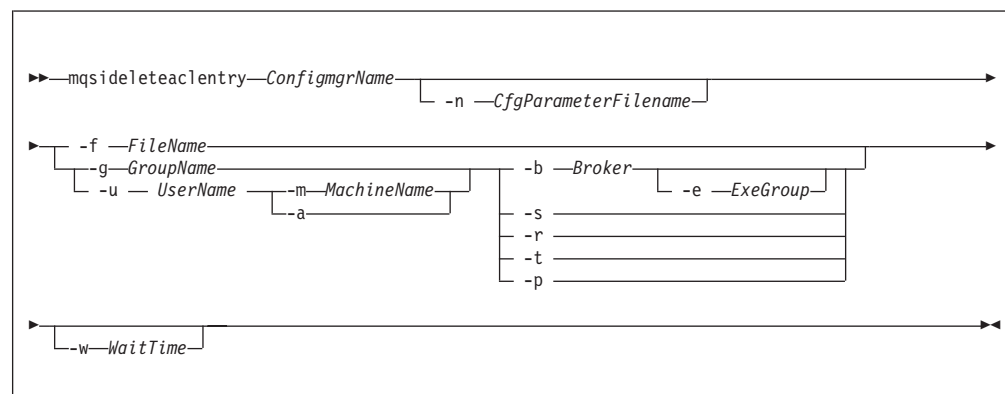
(Optional) The time in seconds that the command waits for a response from the Configuration Manager. If you do not supply a value, the command waits for 30 seconds.

*Examples:*

```
mqsideleteaclentry CMGR01 -f c:\test\mylist
mqsideleteaclentry CMGR01 -g GROUPA -b MYBROKER
```

### **mqsideleteaclentry command - Linux and UNIX systems:**

*Syntax:*



*Parameters:*

You must select:

- **-f**, or
  - **-u** and **-a**, or **-m**, or
  - **-g**, or
  - **-b**, or
  - **-s**, or
  - **-r**, or
  - **-t**, or
  - **-p**

*ConfigmgrName*

(Required) The name of the Configuration Manager from which the access control lists are to be deleted. This parameter must be the first parameter specified and its name is case-sensitive.

**-n** *CfgParameterFilename*

(Optional) This parameter specifies the name of a .configmgr file that describes the connection parameters to the Configuration Manager.

The file is in XML, using the .configmgr format that is saved by the workbench; for example:

```
<?xml version="1.0" encoding="UTF-8"?>
<configmgr crlNameList="" domainName="" host="winmvsd0" listenerPort="2206"
queueManager="mq06" securityExit="" securityExitJar="" sslCipherSuite="NONE"
sslDistinguishedNames="" sslKeyStore="" sslTrustStore="" svrconn="SYSTEM.BKR.CONFIG"/>
```

- f** *FileName*  
(Optional) The file from which to import the configuration. The output of the **mqsilistaclentry** command, with output generated using the **-f** option, is the correct format.
- g** *GroupName*  
(Optional) The local group to which this entry refers. For this reason, the name must adhere to the standard platform convention for group names.  
  
To add a domain group, grant authority to a local group and then add the domain group, or groups, that you want to authorize into that local group. Any members of those domain groups obtain the permissions of the local group indirectly.
- u** *UserName*  
(Optional) The user name to which this entry refers, for example, TEST\ANOTHER.  
  
**-u** and **-g** in this command refer to users and groups within the domain that the Configuration Manager uses for its security. This domain is, by default, the machine on which the Configuration Manager resides.
- m** *MachineName*  
(Optional) The name of the machine from which a specified user can connect. This option can not be used with **-a**.
- a** (Optional) The specified user name can be on any machine. This option can not be used with **-m**.
- b** *Broker*  
(Optional) The object is a broker object, and its name is specified as a parameter.
- e** *ExeGroup*  
(Optional) The object is an execution group and its name is specified as a parameter of the form Broker\ExeGroup. You must specify the **b** flag if you specify this flag.
- s** *Subscription*  
(Optional) The object is a subscription object, and its name is specified as a parameter.
- r** (Optional) The object refers to the root topic.
- t** (Optional) The object refers to the main topology.
- p** (Optional) The object refers to the "allresources" resource type. The authority that the principal has for this object applies to all objects, including the **mqsicreateaclentry**, **mqsdeleteaclentry**, and **mqsilistaclentry** commands themselves.
- w** *WaitTime*  
(Optional) The time in seconds that the command waits for a response from the Configuration Manager. If you do not supply a value, the command waits for 30 seconds.

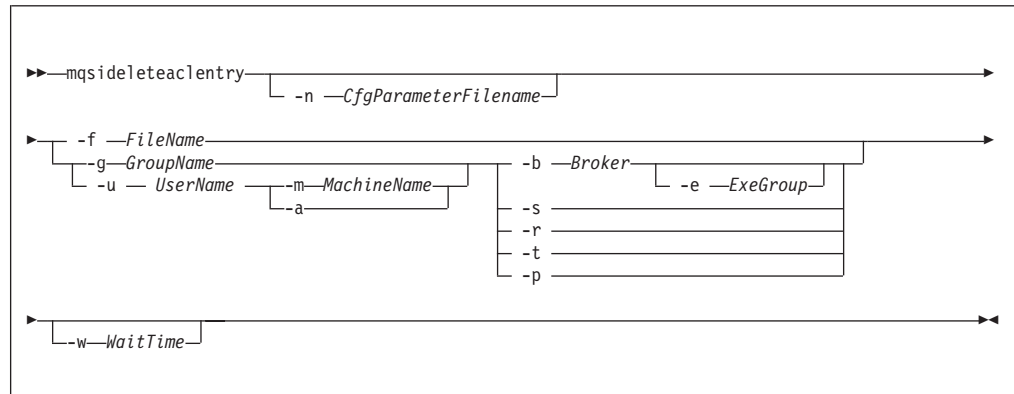
*Examples:*

```
mqsdeleteaclentry CMGR01 -f c:\test\mylist
mqsdeleteaclentry CMGR01 -g GROUPA -b MYBROKER
```

**mqsdeleteaclentry command - z/OS:**

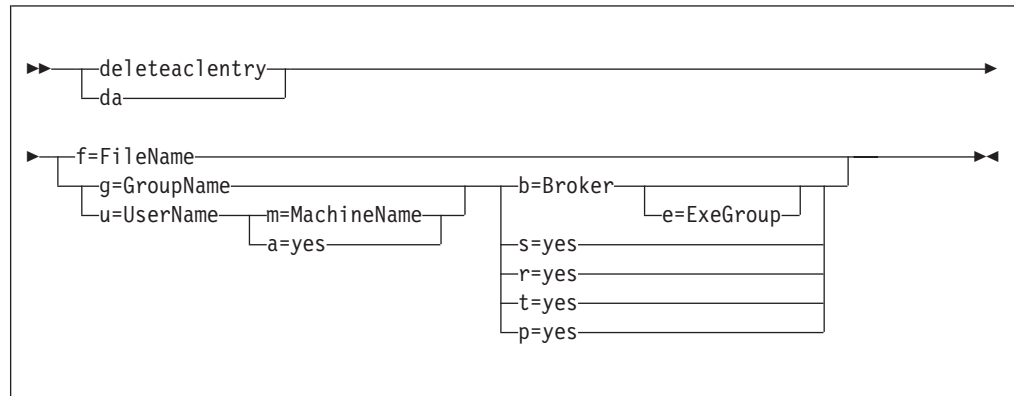
*Syntax:*

z/OS command - BIPDLACL:



z/OS console command:

**Synonym:** da



*Parameters:*

You must select:

- **-f**, or
  - **-u** and **-a**, or **-m**, or
  - **-g**, or
  - **-b**, or
  - **-s**, or
  - **-r**, or
  - **-t**, or
  - **-p**

**-n** *CfgParameterFilename*

(Optional) This parameter specifies the name of a `.configmgr` file that describes the connection parameters to the Configuration Manager.

The file is in XML, using the `.configmgr` format that is saved by the workbench; for example:

```
<?xml version="1.0" encoding="UTF-8"?>
<configmgr crlNameList="" domainName="" host="winmvsd0" listenerPort="2206"
queueManager="mq06" securityExit="" securityExitJar="" sslCipherSuite="NONE"
sslDistinguishedNames="" sslKeyStore="" sslTrustStore="" svrconn="SYSTEM.BKR.CONFIG"/>
```

Remove the statement `encoding="UTF-8"` from the first line of the `.configmgr` file, and remove the value for the `host` attribute, to leave the statement as:

```
<?xml version="1.0"?>
<configmgr crlNameList="" domainName="" host="" listenerPort="2206"
queueManager="mq06" securityExit="" securityExitJar="" sslCipherSuite="NONE"
sslDistinguishedNames="" sslKeyStore="" sslTrustStore="" svrconn="SYSTEM.BKR.CONFIG"/>
```

**-f** *FileName*

(Optional) The file from which to import the configuration. The output of the **mqsilistaclentry** command, with output generated using the **-f** option, is the correct format.

**-g** *GroupName*

(Optional) The local group to which this entry refers. For this reason, the name must adhere to the standard platform convention for group names.

To add a domain group, grant authority to a local group and then add the domain group, or groups, that you want to authorize into that local group. Any members of those domain groups obtain the permissions of the local group indirectly.

**-u** *UserName*

(Optional) The user name to which this entry refers, for example, TEST\ANOTHER.

**-u** and **-g** in this command refer to users and groups within the domain that the Configuration Manager uses for its security. This domain is, by default, the machine on which the Configuration Manager resides.

**-m** *MachineName*

(Optional) The name of the machine from which a specified user can connect. This option can not be used with **-a**.

**-a** (Optional) The specified user name can be on any machine. This option can not be used with **-m**.

**-b** *Broker*

(Optional) The object is a broker object, and its name is specified as a parameter.

**-e** *ExeGroup*

(Optional) The object is an execution group and its name is specified as a parameter of the form `Broker\ExeGroup`. You must specify the **b** flag if you specify this flag.

**-s** *Subscription*

(Optional) The object is a subscription object, and its name is specified as a parameter.

**-r** (Optional) The object refers to the root topic.

**-t** (Optional) The object refers to the main topology.

**-p** (Optional) The object refers to the "allresources" resource type. The authority that the principal has for this object applies to all objects, including the `mqsicreateaclentry`, `mqsideleteaclentry`, and `mqsilistaclentry` commands themselves.



**-w** *WaitTime*

(Optional) The time in seconds that the command waits for a response from the Configuration Manager. If you do not supply a value, the command waits for 30 seconds.

*Examples:*

```
mqsideleteaclentry CMGR01 -g GROUPA -b MYBROKER
```

For the z/OS console command you must use a comma between each command option. The following example shows the z/OS console version of the preceding example:

```
/f CMGR01,da g='GROUPA' ,b='MYBROKER'
```

## **mqsideletebroker command**

Use the `mqsideletebroker` command to delete a named broker. The command also deletes the queues on the associated queue manager (created when the broker was created), and its data in the broker database. You can also specify that the queue manager is to be deleted.

### **Supported platforms:**

- Windows
- Linux and UNIX systems
- z/OS. Run this command by customizing and submitting BIPDLBK; see “Contents of the broker PDSE” on page 640

### **Purpose:**

The `mqsideletebroker` command:

- On Windows platforms, stops the service that runs the broker.
- Stops and deletes the WebSphere MQ queue manager for the broker, if requested.
- Removes the broker’s data from the database.

Although this command deletes all the data related to this broker from the broker database tables, it does not check if the tables are empty, and it does not delete the tables.

- Removes the record for the component in the registry.

If you delete a broker that has WebSphere MQ publish/subscribe broker neighbors, you must also run the `clmqbrk` on each of these neighbors. You must identify the broker that you are deleting on this command.

Select the appropriate link for details of this command on the platform, or platforms, that your enterprise uses:

- “`mqsideletebroker` command - Windows, Linux and UNIX systems” on page 530
- “`mqsideletebroker` command - z/OS” on page 530

### **Usage notes:**

If you run the command against a component that does not exist (for example, the component has already been deleted, or you have mistyped the component name), the command returns with a successful completion message. The command does not inform you that the component does not exist.

### **Authorization:**

On Windows Vista and Windows Server 2008 systems, the user ID used to run this command must be running with elevated privileges on the local system:

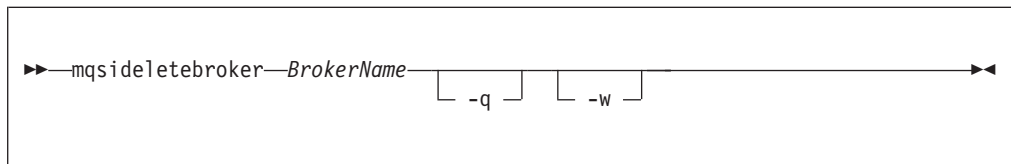
- The user ID must be a member of the group Administrators.
- The command must be started from an environment that has **Run as Administrator** authority.

If you do not run the command from a privileged environment, you are asked to confirm that you want to continue. When you click **OK**, a new privileged command console is created and the command completed, but all responses are written to the privileged environment and are lost when that console closes when the command completes.

On other platforms, no specific authority is required to run this command.

### **mqsideletebroker command - Windows, Linux and UNIX systems:**

*Syntax:*



*Parameters:*

#### **BrokerName**

(Required) The name of the broker that you want to delete. This must be the first parameter.

- q** (Optional) Specifies that the broker's queue manager is deleted. (If this option is not specified, only the WebSphere Message Broker queues and broker's data are deleted.)

If the queue manager hosts another component (the Configuration Manager, or the User Name Server, or both in addition to this broker) that still exists, this command fails.

- w** (Optional) Deletes all files related to this broker from the work path.

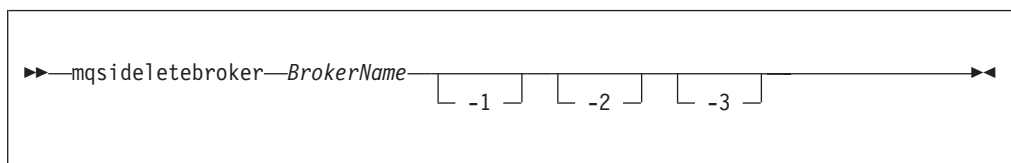
*Examples:*

```
mqsideletebroker WBRK_BROKER -q
```

### **mqsideletebroker command - z/OS:**

*Syntax:*

*z/OS command - BIPDLBK:*



*Parameters:*

**BrokerName**

(Required) The name of the broker that you want to delete. This must be the first parameter.

- 1 (Optional) Deletes only the broker registry.
- 2 (Optional) Deletes only the broker WebSphere MQ queues.
- 3 (Optional) Deletes only the broker DB2 tables and indexes.

*Examples:*

To delete the broker registry on z/OS for the broker CSQ1BRK, use the following command:

```
mqsdeletebroker CSQ1BRK -1
```

**mqsdeleteconfigmgr command**

Use the `mqsdeleteconfigmgr` command to delete a named Configuration Manager. The command also deletes the queues on the associated queue manager (created when the Configuration Manager was created), and its internal repository. You can also specify that the queue manager is to be deleted.

**Supported platforms:**

- Windows
- Linux and UNIX systems
- z/OS. Run this command by customizing and submitting BIPDLCM; see “Contents of the Configuration Manager PDSE” on page 643

**Purpose:**

The `mqsdeleteconfigmgr` command:

- On the Windows platform, stops the service that runs the Configuration Manager.
- Stops and deletes the WebSphere MQ queue manager for the Configuration Manager, if requested.
- Deletes the configuration repository, if requested.
- Removes the record for the component in the registry.

Select the appropriate link for details of this command on the platform, or platforms, that your enterprise uses:

- “`mqsdeleteconfigmgr` command - Windows” on page 532
- “`mqsdeleteconfigmgr` command - Linux and UNIX systems” on page 533
- “`mqsdeleteconfigmgr` command - z/OS” on page 534

**Usage notes:**

If you run the command against a component that does not exist (for example, the component has already been deleted, or you have mistyped the component name), the command returns with a successful completion message. The command does not inform you that the component does not exist.

**Authorization:**

On Windows Vista and Windows Server 2008 systems, the user ID used to run this command must be running with elevated privileges on the local system:

|  
|



| %ALLUSERSPROFILE% is the environment variable that defines the system  
| working directory. The default directory depends on the operating system:

- | • On Windows XP and Windows Server 2003: C:\Documents and  
| Settings\All Users\Application Data\IBM\MQSI\  
|
- | • On Windows Vista and Windows Server 2008: C:\ProgramData\IBM\  
| MQSI\  
|

| The actual value might be different on your computer.

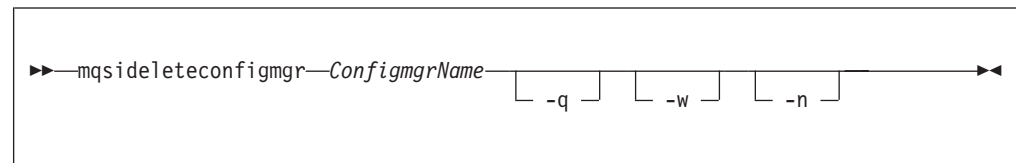
- | 2. Locate the components directory. Delete the directory with the same name  
| as the Configuration Manager.

Examples:

```
mqsideleteconfigmgr CMGR01 -q
```

### **mqsideleteconfigmgr command - Linux and UNIX systems:**

Syntax:



Parameters:

*ConfigmgrName*

(Required) The name of the Configuration Manager that you want to delete.

This must be the first parameter specified and the name is case-sensitive.

- q** (Optional) Deletes the Configuration Manager's queue manager. (If this option is not specified, only the WebSphere Message Broker queues are deleted.)

If the queue manager hosts another component (a broker, or the User Name Server, or both) that still exists, this command fails.

- w** (Optional) Deletes all files related to the Configuration Manager from the workpath.

**-n**

(Optional) Deletes the configuration repository.

Be very careful using this option. The configuration repository contains the configuration data for the whole broker domain, not just data internal to the Configuration Manager. Deleting this repository destroys all information pertinent to the broker domain, and requires you to recreate every resource within it to recover the broker domain.

If the configuration repository is not deleted as part of deleting the Configuration Manager, and the Configuration Manager is later recreated with the same name, it will continue to use the existing configuration repository.

If you do not specify **-n** to delete the configuration repository data, you can delete it manually later by locating the directory in which the configuration repository is stored and deleting the entire directory. This must be done with extreme caution as all domain information for the Configuration Manager is deleted.

To delete the configuration repository manually:

1. Locate the Configuration Manager's working directory. The default location is /var/mqsi
2. Locate the components directory. Delete the directory with the same name as the Configuration Manager.

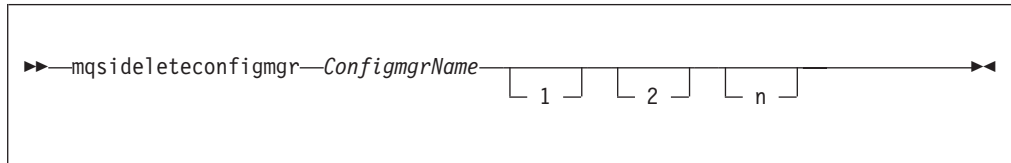
Examples:

```
mqsideleteconfigmgr CMGR01 -q
```

### **mqsideleteconfigmgr command - z/OS:**

Syntax:

*z/OS command - BIPDLCM:*



Parameters:

*ConfigmgrName*

( Required) The name of the Configuration Manager that you want to delete.

This must be the first parameter specified and the name is case-sensitive.

**-n**

(Optional) Deletes the configuration repository.

Be very careful using this option. The configuration repository contains the configuration data for the whole broker domain, not just data internal to the Configuration Manager. Deleting this repository destroys all information pertinent to the broker domain, and requires you to recreate every resource within it to recover the broker domain.

If the configuration repository is not deleted as part of deleting the Configuration Manager, and the Configuration Manager is later recreated with the same name, it will continue to use the existing configuration repository.

If you do not specify `-n` to delete the configuration repository data, you can delete it manually later by locating the directory in which the configuration repository is stored and deleting the entire directory. This must be done with extreme caution as all domain information for the Configuration Manager is deleted.

To delete the configuration repository manually:

1. Locate the Configuration Manager's working directory. The default location is ++COMPONENTDIRECTORY++
2. Locate the components directory. Delete the directory with the same name as the Configuration Manager.

**1** (Optional) The registry pass that deletes only the Configuration Manager registry.

**2** (Optional) The WebSphere MQ pass that deletes only the Configuration Manager WebSphere MQ queues.

**Note:** This can be performed only if the Configuration Manager registry exists.

Examples:

```
mqsideleteconfigmgr CMGR01 -q
```

## mqsideleteconfigurableservice command

Use the `mqsideleteconfigurableservice` command to delete a configurable service, such as a JMS provider, JDBC provider, or FTP server, that you have created by using the `mqsicreateconfigurableservice` command.

### Supported platforms:

- Windows systems
- Linux and UNIX systems
- z/OS. Run this command by customizing and submitting BIPDLCS; see “Contents of the broker PDSE” on page 640

### Purpose:

Use this command to delete a configurable service. Use the `mqsireportproperties` command to view the configurable services that are defined.

### Usage notes:

- Before you run this command, ensure that the broker is running.
- After you have run this command, stop and restart the broker to ensure that deleted broker resources and properties are not being used.

### Syntax:

```
►►mqsideleteconfigurableservice—BrokerName— -c —ConfigurableService—►►  
► -o—ObjectName—►►
```

### Parameters:

*BrokerName*

(Required) The name of the broker to modify. This parameter must be the first parameter.

**-c** *ConfigurableService*

(Required) The type of configurable service, such as JMSProviders, JDBCProviders, SecurityProfiles, TCPIPServer, TCPIPClient, or FtpServer. Use the `mqsireportproperties` command to view the list of all defined services.

**-o** *ObjectName*

(Required) The name of the object for which you want to delete the properties. Use the `mqsireportproperties` command to view the list of properties that you can delete.

### Authorization:

On Windows Vista and Windows Server 2008 systems, the user ID used to run this command must be running with elevated privileges on the local system:

- The user ID must be a member of the group Administrators.

- The command must be started from an environment that has **Run as Administrator** authority.

If you do not run the command from a privileged environment, you are asked to confirm that you want to continue. When you click **OK**, a new privileged command console is created and the command completed, but all responses are written to the privileged environment and are lost when that console closes when the command completes.

On all platforms, the user ID must be a member of the mqbrkrs group.

#### **Responses:**

This command returns the following responses

- BIP8012 Unable to connect to system components
- BIP8014 Component cannot be created
- BIP8073 Invalid broker name
- BIP8984 Configurable service was not found

#### **Examples:**

Delete an FtpServer configurable service:

```
mqsideleteconfigurableservice WBRK6_DEFAULT_BROKER -c FtpServer -o Server01
```

Delete a JMS provider configurable service called MyProviderXYZ for broker WBRK6\_DEFAULT\_BROKER:

```
mqsideleteconfigurableservice WBRK6_DEFAULT_BROKER -c JMSProviders -o JMS_MyProviderXYZ
```

Delete a monitoring profile:

```
mqsideleteconfigurableservice myBroker -c MonitoringProfiles -o myMonitoringProfile
```

Delete a security profile for LDAP use:

```
mqsideleteconfigurableservice WBRK6_DEFAULT_BROKER -c SecurityProfiles -o MyLDAPProfile
```

Delete a TCPIPServer configurable service:

```
mqsideleteconfigurableservice WBRK6_DEFAULT_BROKER -c TCPIPServer -o ServerPort1452
```

Delete a TCPIPClient configurable service:

```
mqsideleteconfigurableservice WBRK6_DEFAULT_BROKER -c TCPIPClient  
-o ClientPort1452HostnameJsmith
```

### **mqsideletedb command**

Use the `mqsideletedb` command to delete a database that you created by using the `mqsicreatedb` command.

#### **Supported platforms:**

- Windows

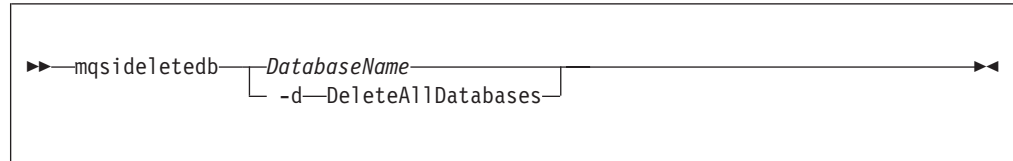
#### **Purpose:**

The `mqsideletedb` command deletes the database and removes the ODBC data source name.



If this database is the last Derby database managed by DatabaseInstanceMgr, the Derby Network Server and DatabaseInstanceMgr service are also stopped and removed.

**Syntax:**



**Parameters:**

*DatabaseName*

This must be the only parameter. Specify the name of the database that you want to delete.

All the data stored in this database is permanently deleted.

**-d DeleteAllDatabases**

This must be the only parameter. Specify this option to delete all the databases that have been created by mqsicreatedb.

All the data stored in **ALL** databases is permanently deleted.

**Authorization:**

On Windows XP and Windows Server 2003 systems, the user ID used to run this command must be a member of the group Administrators on the local system.

On Windows Vista and Windows Server 2008 systems, the user ID used to run this command must be running with elevated privileges on the local system:

- The user ID must be a member of the group Administrators.
- The command must be started from an environment that has **Run as Administrator** authority.

If you do not run the command from a privileged environment, you are asked to confirm that you want to continue. When you click **OK**, a new privileged command console is created and the command completed, but all responses are written to the privileged environment and are lost when that console closes when the command completes.

The userID must also be a member of the mqbrkrs group.

**Examples:**

The following example deletes the database brokerdb:

```
mqsideletedb brokerdb
```

**mqsideleteexecutiongroup command**

Use the mqsideleteexecutiongroup command to remove an execution group from a broker.

**Supported platforms:**

- Windows

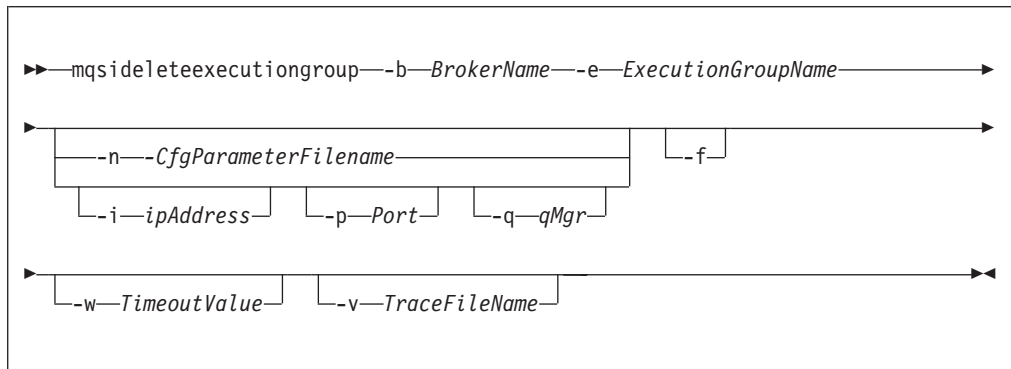
- Linux and UNIX systems
- z/OS. Run this command by customizing and submitting BIPDLEG; see “Contents of the Configuration Manager PDSE” on page 643

**Purpose:**

You must start the Configuration Manager before you can issue this command.

If you are deleting an execution group to which a deployment has previously been made, you must also start the broker before issuing this command.

**Syntax:**



**Parameters:**

- b *BrokerName*  
(Required) The name of the broker on which the execution group resides.
- e *ExecutionGroupName*  
(Required) The name of the execution group to delete.
- n *CfgParameterFileName*  
(Optional) This parameter specifies the name of a .configmgr file that describes the connection parameters to the Configuration Manager.

The file is in XML, using the .configmgr format that is saved by the workbench; for example:

```
<?xml version="1.0" encoding="UTF-8"?>
<configmgr crlNameList="" domainName="" host="winmvsd0" listenerPort="2206"
queueManager="mq06" securityExit="" securityExitJar="" sslCipherSuite="NONE"
sslDistinguishedNames="" sslKeyStore="" sslTrustStore="" svrconn="SYSTEM.BKR.CONFIG"/>
```

If you are using this file on z/OS you must remove the statement encoding="UTF-8" from the first line, and remove the value for the host attribute, to leave the statement as:

```
<?xml version="1.0"?>
<configmgr crlNameList="" domainName="" host="" listenerPort="2206"
queueManager="mq06" securityExit="" securityExitJar="" sslCipherSuite="NONE"
sslDistinguishedNames="" sslKeyStore="" sslTrustStore="" svrconn="SYSTEM.BKR.CONFIG"/>
```

- i *IpAddress*  
(Optional) This parameter specifies the host name or IP address of the Configuration Manager. If this parameter is not specified, the default value "" is used, which results in a local binding connection.

- p** *Port*  
(Optional) This parameter is the port number of the Configuration Manager. If this parameter is not specified, the default value 1414 is used.
- q** *QMgr*  
(Optional) This parameter specifies the name of the WebSphere MQ queue manager that the Configuration Manager is using. If this parameter is not specified, the default value "" is used.
- f** Forces the broker to be removed from the Configuration Manager, if this is the last execution group. If this is not the last execution group in the broker, this flag is ignored.
- w** *TimeoutValue*  
(Optional) This parameter is the time in seconds that the utility waits to ensure that the command completed; the default value is 60.
- v** *TraceFileName*  
(Optional) This parameter sends internal debug trace information to the specified file.

**Authorization:**

On Windows Vista and Windows Server 2008 systems, the user ID used to run this command must be running with elevated privileges on the local system:

- The user ID must be a member of the group Administrators.
- The command must be started from an environment that has **Run as Administrator** authority.

If you do not run the command from a privileged environment, you are asked to confirm that you want to continue. When you click **OK**, a new privileged command console is created and the command completed, but all responses are written to the privileged environment and are lost when that console closes when the command completes.

On Windows, Linux, and UNIX systems, the user ID used to run this command must be a member of the group mqm.

The command succeeds only if this user ID has the correct authority defined in the access control list for the Configuration Manager. To delete an execution group, full control authority is required over the broker object; see "ACL permissions" on page 683 for a list of permissions that can be defined in the Configuration Manager.

**Responses:**

The mqsideleteexecutiongroup command returns the following responses:

- 0 (Success) States that the request completed successfully and the execution group has been deleted successfully. If the command was to delete an execution group to which a deployment has previously been made, this return code means that the broker has stopped and released all resources associated with that execution group, for example, message flows.
- 2 (Failure) States that the execution group could not be deleted for any reason.
- 98 States that the Configuration Manager cannot be reached.
- 99 States that the supplied arguments to the utility are not valid.

### Examples:

On the domain controlled by the Configuration Manager whose queue manager is called QMGR and is listening on fred.abc.com:1414, delete an execution group called EG1 on broker BROKER.

```
mqsdeleteexecutiongroup -i fred.abc.com -p 1414 -q QMGR -b BROKER -e EG1
```

On the domain specified by the file domain1.configmgr, delete an execution group called EG2 on broker BROKER.

```
mqsdeleteexecutiongroup -n domain1.configmgr -b BROKER -e EG2
```

On the domain specified by the file domain2.configmgr, delete an execution group EG3 on broker FRED. Wait five minutes for the Configuration Manager to tidy up any resources, and send output to trace.txt.

```
mqsdeleteexecutiongroup -n domain2.configmgr -b FRED -e EG3 -w 300 -v trace.txt
```

### mqsdeleteusernameserver command

Use the mqsdeleteusernameserver command to delete the User Name Server. The command also deletes the queues on the associated queue manager (created when the User Name Server was created). You can also specify that the queue manager is to be deleted.

#### Supported platforms:

- Windows
- Linux and UNIX systems
- z/OS. Run this command by customizing and submitting BIPDLUN; see “Contents of the User Name Server PDSE” on page 642

#### Purpose:

The mqsdeleteusernameserver command:

- On Windows platforms, stops the service that runs the User Name Server.
- Stops and deletes the WebSphere MQ queue manager for the User Name Server, if requested.
- Removes the record for the component in the registry.

Select the appropriate link for details of this command on the platform, or platforms, that your enterprise uses:

- “mqsdeleteusernameserver command - Windows, Linux and UNIX systems” on page 541
- “mqsdeleteusernameserver command - z/OS” on page 541

#### Usage notes:

If you run the command against a component that does not exist (for example, the component has already been deleted, or you have mistyped the component name), the command returns with a successful completion message. The command does not inform you that the component does not exist.

#### Authorization:

On Windows Vista and Windows Server 2008 systems, the user ID used to run this command must be running with elevated privileges on the local system:

- The user ID must be a member of the group Administrators.

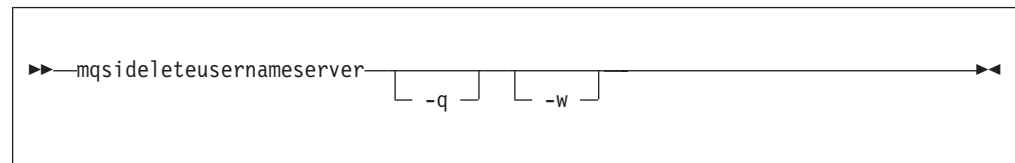
- The command must be started from an environment that has **Run as Administrator** authority.

If you do not run the command from a privileged environment, you are asked to confirm that you want to continue. When you click **OK**, a new privileged command console is created and the command completed, but all responses are written to the privileged environment and are lost when that console closes when the command completes.

On other platforms, no specific authority is required to run this command.

#### **mqsideleteusernameserver command - Windows, Linux and UNIX systems:**

*Syntax:*



*Parameters:*

- q** (Optional) Deletes the User Name Server's queue manager when the User Name Server has been deleted. (If this option is not specified, only the WebSphere Message Broker queues are deleted.)

If the queue manager hosts another component (a broker, or the Configuration Manager, or both) that still exists, this command fails.

- w** (Optional) Deletes all files related to the User Name Server from the work path.

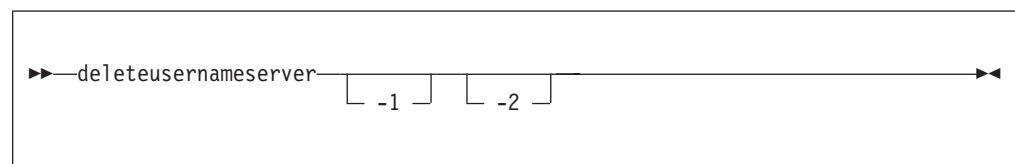
*Examples:*

`mqsideleteusernameserver`

#### **mqsideleteusernameserver command - z/OS:**

*Syntax:*

*command - BIPDLUN:*



*Parameters:*

- 1** (Optional) Deletes only the User Name Server registry.
- 2** (Optional) Deletes only the User Name Server WebSphere MQ queues.

*Examples:*

`mqsideleteusernameserver`

## mqsidedeploy command

Use the mqsidedeploy command to make a deployment request to the Configuration Manager.

### Supported platforms:

- Windows
- Linux and UNIX systems
- z/OS. Run this command in one of two ways - as a console command, or by customizing and submitting BIPDPLY; see “Contents of the Configuration Manager PDSE” on page 643.

### Purpose:

Use the mqsidedeploy command to make deployment requests of all types from a batch command script, without the need for manual interaction.

The default operation is a delta or incremental deployment. Select **-m** to override the default operation.

mqsidedeploy does not require a Configuration Manager name parameter because all of the required connection details can be obtained from the **-n**, **-q**, **-i**, and **-p** parameters.

Select the appropriate link for details of this command on the platform, or platforms, that your enterprise uses:

- “mqsidedeploy command - Windows, Linux, and UNIX systems” on page 543
- “mqsidedeploy command - z/OS” on page 546

### Authorization:

On Windows Vista and Windows Server 2008 systems, the user ID used to run this command must be running with elevated privileges on the local system:

- The user ID must be a member of the group Administrators.
- The command must be started from an environment that has **Run as Administrator** authority.

If you do not run the command from a privileged environment, you are asked to confirm that you want to continue. When you click **OK**, a new privileged command console is created and the command completed, but all responses are written to the privileged environment and are lost when that console closes when the command completes.

On all platforms, the user ID used to run this command must have sufficient authority defined in the Configuration Manager to successfully deploy. The permissions required are the same as the permission required to perform the equivalent task in the Message Broker Toolkit.

On Linux and UNIX systems, the user ID used to run this command must be a member of the group mqbrkrs. If you do not have mqbrkrs membership, the command fails with the following error message:

```
mqsidedeploy -i localhost -p 1414 -q qm2 -b brk2
BIP8081 An exception was caught while processing the command,
'Unable to format an ImbException message for output, ImbException message
number is BIP2164'.
```

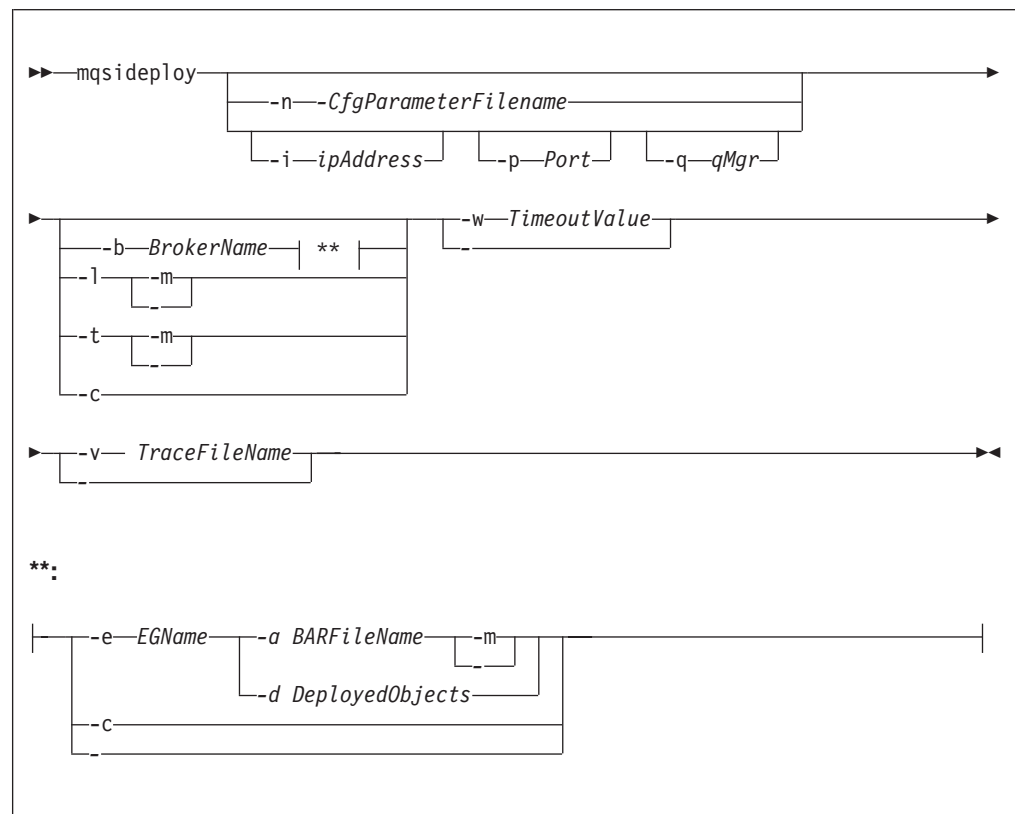
## Responses:

This command returns the following responses:

- 0 (Success) The Configuration Manager issued the deployment request and all of the relevant brokers responded successfully before the timeout period expired.
- 2 (Failure) The Configuration Manager issued the deployment request and at least one broker responded negatively. See the messages issued from the utility (or the Configuration Manager's event log) for more information.
- 3 (Initiated) The Configuration Manager has replied, stating that deployment has started, but that no broker responses were received before the timeout occurred.
- 5 (Submitted) The deployment message was sent to the Configuration Manager, but that no response was received before the timeout occurred.
- 6 (SuccessSoFar) The Configuration Manager issued the deployment request and some, but not all, of the relevant brokers responded successfully before the timeout period expired; no brokers responded negatively.
- 98 The Configuration Manager cannot be reached.
- 99 The arguments supplied to the utility are not valid.

## mqsideploy command - Windows, Linux, and UNIX systems:

*Syntax:*



*Parameters:*

**-n** *CfgParameterFileName*

(Optional) This parameter specifies the name of a .configmgr file that describes the connection parameters to the Configuration Manager.

The file is in XML, using the .configmgr format that is saved by the workbench; for example:

```
<?xml version="1.0" encoding="UTF-8"?>
<configmgr crlNameList="" domainName="" host="winmvsd0" listenerPort="2206"
queueManager="mq06" securityExit="" securityExitJar="" sslCipherSuite="NONE"
sslDistinguishedNames="" sslKeyStore="" sslTrustStore="" svrconn="SYSTEM.BKR.CONFIG"/>
```

**-i** *IpAddress*

(Optional) This parameter specifies the host name or IP address of the Configuration Manager. If this parameter is not specified, the default value "" is used, which results in a local binding connection.

**-p** *Port*

(Optional) This parameter is the port number of the Configuration Manager. If this parameter is not specified, the default value 1414 is used.

**-q** *QMgr*

(Optional) This parameter specifies the name of the WebSphere MQ queue manager that the Configuration Manager is using. If this parameter is not specified, the default value "" is used.

**-b** *BrokerName*

(Optional) This parameter specifies the name of the broker to which to deploy. If you specify either of the **-t** or **-l** parameters, the **-b** parameter is ignored because, when deploying topics or topology, all brokers in the domain are affected. Without the **-e** and **-a** parameters, a broker configuration deployment is initiated. If you do not specify the **-b** parameter, the command applies to all brokers in the domain.

**-e** *EGName*

(Optional) This parameter specifies the name of the execution group to which to deploy. You must specify **-b** and **-a** with this parameter.

**-a** *BARFileName*

(Optional) This parameter specifies the name of the bar (broker archive) file that is to be used for message flow or message set deployment. You must also specify the **-b** and **-e** parameters with this option.

**-t** (Optional) This parameter specifies deployment of all the topics configuration information.

- When used in conjunction with the **-m** parameter, the **-t** parameter causes the complete topics hierarchy to be deployed to all brokers in the domain.
- When used without the **-m** parameter, the **-t** parameter causes only changes to the topics hierarchy (since the last successful topics deployment) to be deployed to all brokers in the domain.

**-l** (Optional) This parameter specifies that the topology configuration should be deployed. Information is deployed to all brokers in the domain if the **-m** parameter is also set; otherwise, the information is deployed only to brokers with a changed topology configuration.

**-c** (Optional) This parameter instructs the Configuration Manager to stop waiting for responses to previously submitted deployment requests. If used with the **-b** parameter, the Configuration Manager stops waiting for outstanding deployment responses from the specified broker; without the **-b** parameter, the Configuration Manager stops waiting for responses to all outstanding deployment requests in the domain.



Specify the **-c** parameter with caution; it has the effect of canceling deployment requests. Use this option only if the affected brokers will respond to the outstanding requests. If a broker subsequently processes a deployment request that has been cancelled, the Configuration Manager ignores the response, and is therefore no longer synchronized with the broker.

**-w** *TimeoutValue*

(Optional) This parameter specifies the time in seconds that the command waits for the broker to reply before returning control to the command line or batch file. The `mqsidedeploy` command polls the Configuration Manager log records, looking for the results of the deployment request that has just been sent. The relevant log records contain information indicating whether the deployment was successful. The *timeoutValue* is the number of seconds that the command waits before timing out.

You can set this parameter to a value in the range 1 - 2 145 336 164. If you do not provide a *timeoutValue* value, or you set a value less than 1 or greater than 2 145 336 164 is specified, an error is returned.

Set this parameter to a value greater than the sum of the configuration timeouts that you specified for the broker, the *ConfigurationChangeTimeout* and the *InternalConfigurationTimeout* parameters, if you want to ensure that a response is received within the *timeoutValue* period. If you set a smaller value, the response returned might indicate that the state of the deploy request is unknown.

**-d** *DeployedObjects*

(Optional) This parameter describes the set of objects that you want to remove from the execution group. You can specify multiple files to deploy by separating the filenames with a colon (:).

You can specify objects of all types, but if you specify an ambiguous object name (for example, "top", when both "top.dictionary" and "top.cmf" are deployed to the same execution group), the entire command fails with the message BIP1089. In these circumstances, you must specify the fully qualified name of the objects to remove; for example, "top.dictionary:top.cmf".

**-v** *TraceFileName*

(Optional) This parameter sends the internal Configuration Manager Proxy trace to the specified file.

**-m**

(Optional) This parameter specifies deployment of complete information:

- For a *bar file deployment*, **-m** removes all currently-deployed message flows and message sets from the execution group as part of the deployment. If **-m** is not set, the contents of the bar file are deployed in addition to what is already deployed to the execution group. Any deployed objects with the same name as an item inside the bar file are replaced by the version inside the bar file.
- For a *topology configuration deployment*, **-m** deploys complete inter-broker configuration information to all brokers. If **-m** is not set, only changed inter-broker configuration is deployed to brokers whose inter-broker configuration has changed.
- For a *broker configuration deployment* this parameter is not valid.
- For a *topic tree deployment*, **-m** deploys the entire topic tree to all brokers. If **-m** is not set, only changes to the topic tree are deployed to all brokers.
- For a *remove message flow or remove message set operation*, the **-m** parameter is ignored.

*Examples:*

Deploy publish/subscribe neighbors using a connection file whose parameters are described in the file `cm1.configmgr`, allow 10 minutes for the broker to reply, and deploy complete inter-broker configuration information:

```
mqsidedeploy -n cm1.configmgr -m -w 600
```

Deploy publish/subscribe neighbors using the `i`, `p`, and `q` parameters to connect to the Configuration Manager, allow 10 minutes for the broker to reply, and deploy complete inter-broker configuration information:

```
mqsidedeploy -i localhost -p 1414 -q QMNAME -m -w 600
```

Note that you can use the `i`, `p`, and `q` parameters in the following examples instead of the `-n` parameter.

Deploy a topics hierarchy using a connection file whose parameters are described in the file `cm1.configmgr`, allow 10 minutes for the broker to reply, and deploy complete inter-broker configuration information:

```
mqsidedeploy -n cm1.configmgr -t -m -w 600
```

Deploy a bar file using a connection file whose parameters are described in the file `cm1.configmgr`, to the specified broker, allow 10 minutes for the broker to reply, and remove all currently-deployed message flows and message sets from the execution group as part of the deployment:

```
mqsidedeploy -n cm1.configmgr -b broker1 -e default -a mybar.bar -m -w 600
```

Deploy a broker configuration using a connection file whose parameters are described in the file `cm1.configmgr`, to the specified broker, and allow 15 minutes for the broker to reply:

```
mqsidedeploy -n cm1.configmgr -b broker1 -w 900
```

Attempt to remove the message flow `top` and the dictionary `bar` from the execution group `default` on broker `b1`, using a connection file whose parameters are described in the file `cm1.configmgr`. (If there are no other objects called `top` and `bar` deployed to the execution group, you can shorten the value of the `-d` parameter to `top:bar`.)

```
mqsidedeploy -n cm1.configmgr -b B1 -e default -d top.cmf:bar.dictionary
```

Cancel a deployment using a connection file whose parameters are described in the file `cm1.configmgr`, and allow 15 minutes for the broker to reply. In this example the Configuration Manager stops waiting for all outstanding deployment requests in the domain.

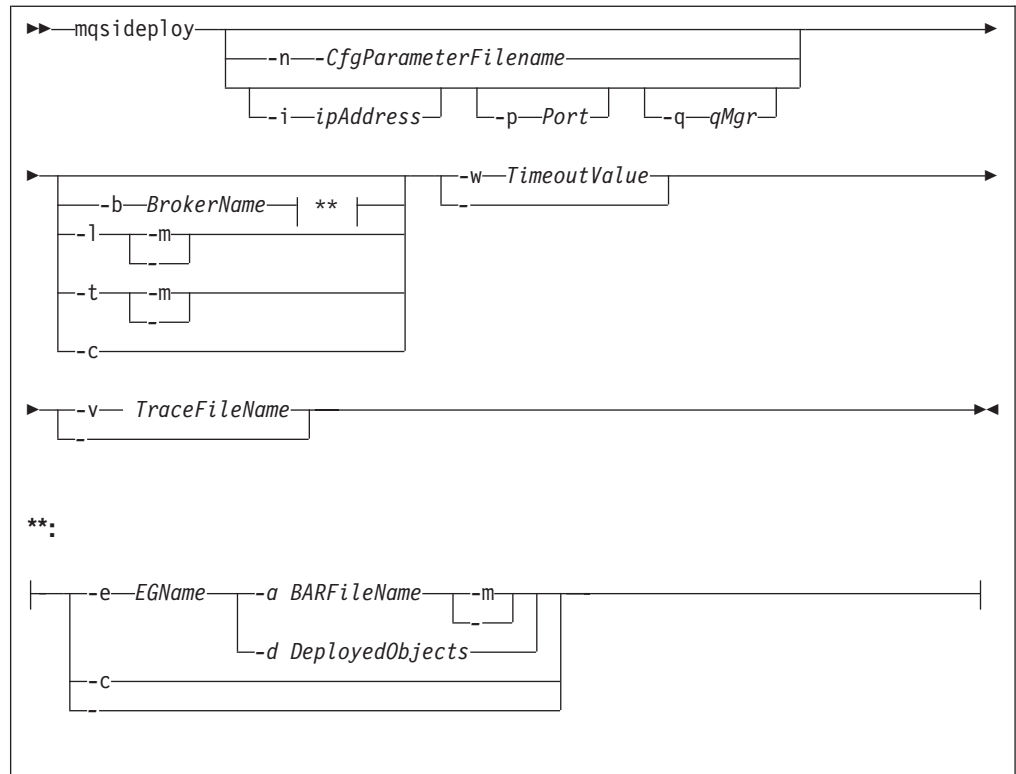
```
mqsidedeploy -n cm1.configmgr -c -w 900
```

### **mqsidedeploy command - z/OS:**

BIPDPLY is used to run **mqsidedeploy**, and on z/OS the command does this from JAVA bindings; see "Usage note" on page 550.

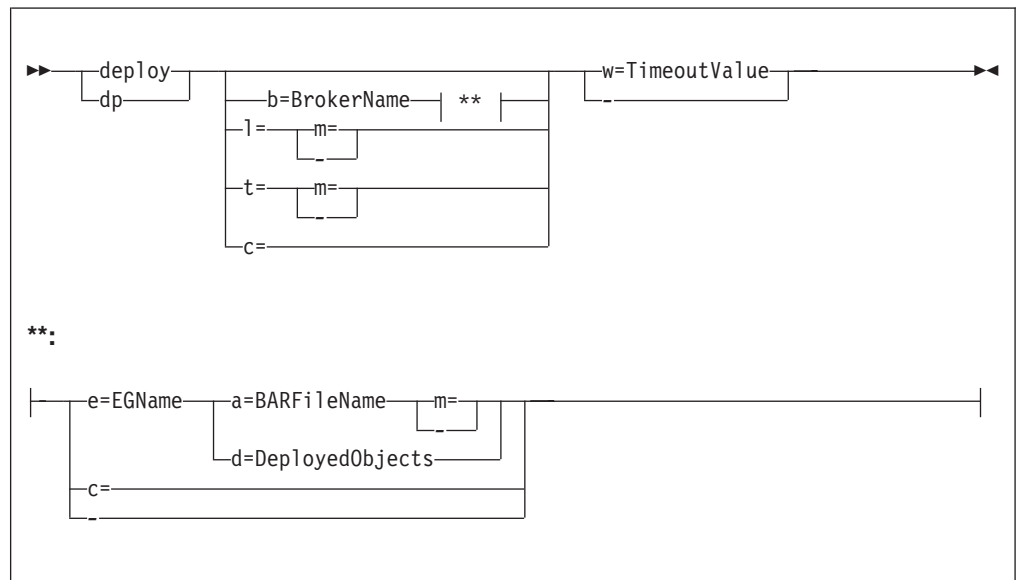
*Syntax:*

*z/OS command - BIPDPLY:*



*z/OS console command:*

**Synonym:** dp



*Parameters:*

**-n CfgParameterFileName**

(Optional) This parameter specifies the name of a `.configmgr` file that describes the connection parameters to the Configuration Manager.

Remove the statement `encoding="UTF-8"` from the first line of the `.configmgr` file, and remove the value for the `host` attribute, to leave the statement as:

```
<?xml version="1.0"?>
<configmgr crlNameList="" domainName="" host="" listenerPort="2206"
queueManager="mq06" securityExit="" securityExitJar="" sslCipherSuite="NONE"
sslDistinguishedNames="" sslKeyStore="" sslTrustStore="" svrconn="SYSTEM.BKR.CONFIG"/>
```

**-i** *IpAddress*

(Optional) This parameter specifies the host name or IP address of the Configuration Manager. If this parameter is not specified, the default value "" is used, which results in a local binding connection.

To connect to the local host, set the value to a space (" ").

**-p** *Port*

(Optional) This parameter is the port number of the Configuration Manager. If this parameter is not specified, the default value 1414 is used.

**-q** *QMgr*

(Optional) This parameter specifies the name of the WebSphere MQ queue manager that the Configuration Manager is using. If this parameter is not specified, the default value "" is used.

**-b** *Brokername*

(Optional) This parameter specifies the name of the broker to which to deploy. If you specify either of the **-t** or **-l** parameters, the **-b** parameter is ignored because, when deploying topics or topology, all brokers in the domain are affected. Without the **-e** and **-a** parameters, a broker configuration deployment is initiated. If you do not specify the **-b** parameter, the command applies to all brokers in the domain.

Specify the **-c** parameter to cancel deployment to a specific broker.

**-e** *EGName*

(Optional) This parameter specifies the name of the execution group to which to deploy. You must specify **-b** and **-a** with this parameter.

**-a** *BARFileName*

(Optional) This parameter specifies the name of the bar (broker archive) file that is to be used for message flow or message set deployment. You must also specify the **-b** and **-e** parameters with this option.

The bar file must be in the file system. The bar file can be anywhere in the file system, as long as the user ID of the person or Configuration Manager that is running the command can access the file and read it.

**-t** (Optional) This parameter specifies deployment of all the topics configuration information.

- When used in conjunction with the **-m** parameter, the **-t** parameter causes the complete topics hierarchy to be deployed to all brokers in the domain.
- When used without the **-m** parameter, the **-t** parameter causes only changes to the topics hierarchy (since the last successful topics deployment) to be deployed to all brokers in the domain.

**-l** (Optional) This parameter specifies that the topology configuration should be deployed. Information is deployed to all brokers in the domain if the **-m** parameter is also set; otherwise, the information is deployed only to brokers with a changed topology configuration.

**-c** (Optional) This parameter instructs the Configuration Manager to stop waiting

for responses to previously submitted deployment requests. If used with the **-b** parameter, the Configuration Manager stops waiting for outstanding deployment responses from the specified broker; without the **-b** parameter, the Configuration Manager stops waiting for responses to all outstanding deployment requests in the domain.

Specify the **-c** parameter with caution; it has the effect of canceling deployment requests. Use this option only if the affected brokers will respond to the outstanding requests. If a broker subsequently processes a deployment request that has been cancelled, the Configuration Manager ignores the response, and is therefore no longer synchronized with the broker.

**-w** *TimeoutValue*

(Optional) This parameter specifies the time in seconds that the command waits for the broker to reply before returning control to the command line or batch file. The `mqsdeploy` command polls the Configuration Manager log records, looking for the results of the deployment request that has just been sent. The relevant log records contain information indicating whether the deployment was successful. The *timeoutValue* is the number of seconds that the command waits before timing out.

You can set this parameter to a value in the range 1 - 2 145 336 164. If you do not provide a *timeoutValue* value, or you set a value less than 1 or greater than 2 145 336 164 is specified, an error is returned.

Set this parameter to a value greater than the sum of the configuration timeouts that you specified for the broker, the *ConfigurationChangeTimeout* and the *InternalConfigurationTimeout* parameters, if you want to ensure that a response is received within the *timeoutValue* period. If you set a smaller value, the response returned might indicate that the state of the deploy request is unknown.

**-d** *DeployedObjects*

(Optional) This parameter describes the set of objects that you want to remove from the execution group. You can specify multiple files to deploy by separating the filenames with a colon (:).

You can specify objects of all types, but if you specify an ambiguous object name (for example, "top", when both "top.dictionary" and "top.cmf" are deployed to the same execution group), the entire command fails with the message BIP1089. In these circumstances, you must specify the fully qualified name of the objects to remove; for example, "top.dictionary:top.cmf".

**-v** *TraceFileName*

(Optional) This parameter sends the internal Configuration Manager Proxy trace to the specified file.

**-m**

(Optional) This parameter specifies deployment of complete information:

- For a *bar file deployment*, **-m** removes all currently-deployed message flows and message sets from the execution group as part of the deployment. If **-m** is not set, the contents of the bar file are deployed in addition to what is already deployed to the execution group. Any deployed objects with the same name as an item inside the bar file are replaced by the version inside the bar file.
- For a *topology configuration deployment*, **-m** deploys complete inter-broker configuration information to all brokers. If **-m** is not set, only changed inter-broker configuration is deployed to brokers whose inter-broker configuration has changed.

- For a *broker configuration deployment* this parameter is not valid.
- For a *topic tree deployment*, **-m** deploys the entire topic tree to all brokers. If **-m** is not set, only changes to the topic tree are deployed to all brokers.
- For a *remove message flow or remove message set operation*, the **-m** parameter is ignored.

*Usage note:*

If you enter:

```
mqsideploy -i cm_name -p port -q cm_qm -l -m
```

the command attempts to run the **mqsideploy** command using WebSphere MQ Java client code, which is not allowed on z/OS. Connecting to the local Configuration Manager with the parameters **-i** and **-p** forces the command into a local mode, and the following error occurs:

```
BIP1046E: Unable to connect with the Configuration Manager's queue manager
```

Depending on the version of WebSphere MQ that you are using, the reported reason codes differ:

- On WebSphere MQ V5.3.1, you receive:  
2012 0x000007dc MQRC\_ENVIRONMENT\_ERROR
- On WebSphere MQ V6.0, you receive:  
2298 0x000008fa MQRC\_FUNCTION\_NOT\_SUPPORTED

*Examples:*

Deploy publish/subscribe neighbors using a connection file whose parameters are described in the file `cm1.configmgr`, allow 10 minutes for the broker to reply, and deploy complete inter-broker configuration information:

```
mqsideploy -n cm1.configmgr -m -w 600
```

Deploy publish/subscribe neighbors using the **i**, **p**, and **q** parameters to connect to the Configuration Manager, allow 10 minutes for the broker to reply, and deploy complete inter-broker configuration information:

```
mqsideploy -i localhost -p 1414 -q QMNAME -m -w 600
```

Note that you can use the **i**, **p**, and **q** parameters in the following examples instead of the **-n** parameter.

Deploy a topics hierarchy using a connection file whose parameters are described in the file `cm1.configmgr`, allow 10 minutes for the broker to reply, and deploy complete inter-broker configuration information:

```
mqsideploy -n cm1.configmgr -t -m -w 600
```

Deploy a bar file using a connection file whose parameters are described in the file `cm1.configmgr`, to the specified broker, allow 10 minutes for the broker to reply, and remove all currently-deployed message flows and message sets from the execution group as part of the deployment:

```
mqsideploy -n cm1.configmgr -b broker1 -e default -a mybar.bar -m -w 600
```

Deploy a broker configuration using a connection file whose parameters are described in the file `cm1.configmgr`, to the specified broker, and allow 15 minutes for the broker to reply:

```
mqsideploy -n cm1.configmgr -b broker1 -w 900
```

Attempt to remove the message flow top and the dictionary bar from the execution group default on broker b1, using a connection file whose parameters are described in the file cm1.configmgr. (If there are no other objects called top and bar deployed to the execution group, you can shorten the value of the **-d** parameter to top:bar).

```
mqsidedeploy -n cm1.configmgr -b B1 -e default -d top.cmf:bar.dictionary
```

Cancel a deployment using a connection file whose parameters are described in the file cm1.configmgr, and allow 15 minutes for the broker to reply. In this example, the Configuration Manager stops waiting for all outstanding deployment requests in the domain.

```
mqsidedeploy -n cm1.configmgr -c -w 900
```

## mqsiformatlog command

Use the mqsiformatlog command to process the XML log created by mqsireadlog. The command retrieves and formats any messages that the XML log contains into a form suitable for the locale of the user who runs the command.

### Supported platforms:

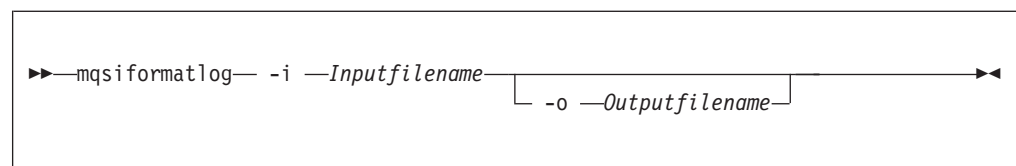
- Windows
- Linux and UNIX systems
- z/OS. Run this command by customizing and submitting BIPFMLG; see “Contents of the broker PDSE” on page 640

### Purpose:

The mqsiformatlog command interprets an input log file that has been created on any system in a platform-independent code page, utf-8. Use this command to produce formatted output from input log files transferred from other systems to the system on which you issue the command. If you use this facility, ensure that you use a file transfer program that does not convert the data (for example, by specifying a binary transfer option).

You can direct the output to a file, or to the command shell.

### Syntax:



### Parameters:

#### **-i** *Inputfilename*

(Required) The filename of the XML log file that is to be formatted. This file is created by the **mqsireadlog** command; it is encoded in utf-8.

#### **-o** *Outputfilename*

(Optional) The filename of the file into which the formatted log output is to be written. If this is not specified, the formatted log data is written to stdout.

Output written by this command (to file or stdout) is written in a code page suitable for the current user locale.

### Authorization:

On Windows Vista and Windows Server 2008 systems, the user ID used to run this command must be running with elevated privileges on the local system:

- The user ID must be a member of the group Administrators.
- The command must be started from an environment that has **Run as Administrator** authority.

If you do not run the command from a privileged environment, you are asked to confirm that you want to continue. When you click **OK**, a new privileged command console is created and the command completed, but all responses are written to the privileged environment and are lost when that console closes when the command completes.

On all platforms, the user ID used to run this command must have read access to the input file, and write access to the output file.

On Linux and UNIX systems, the user ID must be a member of the mqbrkrs group.

### Examples:

```
mqsiformatlog -i trace.xml -o formattrace.log
```

The following extract shows the output that is generated by this command:

Timestamps are formatted in local time, local time is GMT.

```
.  
. .  
2003-02-12 12:57:21.895999 388 UserTrace BIP2638E:  
MQPUT to queue 'SYSTEM.BROKER.EXECUTIONGROUP.REPLY' on queue manager  
'WBRK_QM': MQCC=0, MQRC=0; node ConfigurationMessageFlow.outputNode'.  
The node 'ConfigurationMessageFlow.outputNode' attempted  
to write a message to the specified queue 'SYSTEM.BROKER.EXECUTIONGROUP.REPLY'  
connected to queue manager 'WBRK_QM'.  
The MQCC was 0 and the MQRC was 0.  
No user action required.  
  
2003-02-12 12:57:21.895999 388 UserTrace BIP2622I:  
Message successfully output by output node 'ConfigurationMessageFlow.outputNode'  
to queue 'SYSTEM.BROKER.EXECUTIONGROUP.REPLY' on queue manager  
'WBRK_QM'. The WebSphere MQ output node ConfigurationMessageFlow.outputNode'  
successfully wrote an output message to the specified queue  
SYSTEM.BROKER.EXECUTIONGROUP.REPLY connected to queue manager WBRK_QM.  
No user action required.  
. .  
. .  
Threads encountered in this trace: 335 388
```

### mqsijoinmqpubsub command

Use the mqsijoinmqpubsub command to join this WebSphere Message Broker broker to an WebSphere MQ Publish/Subscribe broker network. The command identifies a specific WebSphere MQ Publish/Subscribe broker to be the parent of the WebSphere Message Broker broker.

### Supported platforms:

- Windows
- Linux and UNIX systems



- z/OS. Run this command by customizing and submitting BIPJNMP; see “Contents of the broker PDSE” on page 640

**Purpose:**

The `mqsijoinmqpubsub` command runs asynchronously. Successful completion of this command indicates that the WebSphere Message Broker broker has accepted the request, not that the required action has completed.

Use the `mqsilistmqpubsub` command to monitor the status of the asynchronous actions that result from this command.

Use this command only if you are integrating this WebSphere Message Broker broker with an WebSphere MQ Publish/Subscribe broker network. Before you issue this command, ensure that the WebSphere Message Broker broker is ready to receive and process messages on queue `SYSTEM.BROKER.INTER.BROKER.COMMUNICATIONS` (that is, you must have restarted the broker after creating this queue).

**Syntax:**

```

▶▶—mqsijoinmqpubsub—BrokerName— -p —ParentQueueManagerName————▶▶

```

**Parameters:**

*BrokerName*

(Required) The name of the broker that is to be joined to an WebSphere MQ Publish/Subscribe broker.

**-p** *ParentQueueManagerName*

(Required) The name of the queue manager that hosts the WebSphere MQ Publish/Subscribe broker to which this WebSphere Message Broker broker is to be joined.

**Authorization:**

| On Windows Vista and Windows Server 2008 systems, the user ID used to run this  
 | command must be running with elevated privileges on the local system:

- The user ID must be a member of the group Administrators.
- The command must be started from an environment that has **Run as Administrator** authority.

If you do not run the command from a privileged environment, you are asked to confirm that you want to continue. When you click **OK**, a new privileged command console is created and the command completed, but all responses are written to the privileged environment and are lost when that console closes when the command completes.

On all platforms, the user ID used to run this command must have put and inq authority to the queue `SYSTEM.BROKER.INTER.BROKER.COMMUNICATIONS`.

On Linux and UNIX systems, the user ID must be a member of the `mqbrkr` group.

**Examples:**

```
mqsjoinmqpubsub WBRK_BROKER -p MQBroker1
```

**mqsilist (list resources) command**

Use the `mqsilist` command on Windows, Linux, and UNIX systems, or the `list` command from a z/OS console, to list all the components installed on the system, all the execution groups defined to a specific broker, or all the message flows contained in a named execution group on a specific broker.

**Supported platforms:**

- Windows
- Linux and UNIX systems
- z/OS. Run this command in one of two ways - as a console command, or by customizing and submitting BIPLIST; see “Contents of the Configuration Manager PDSE” on page 643

**Purpose:**

On Windows, Linux, and UNIX systems, the output is directed to STDOUT.

Select the appropriate link for details of this command on the platform, or platforms, that your enterprise uses:

- “`mqsilist (list resources) command - Windows, Linux and UNIX systems`”
- “`mqsilist (list resources) command - z/OS`” on page 555

**Authorization:**

On Windows Vista and Windows Server 2008 systems, the user ID used to run this command must be running with elevated privileges on the local system:

- The user ID must be a member of the group Administrators.
- The command must be started from an environment that has **Run as Administrator** authority.

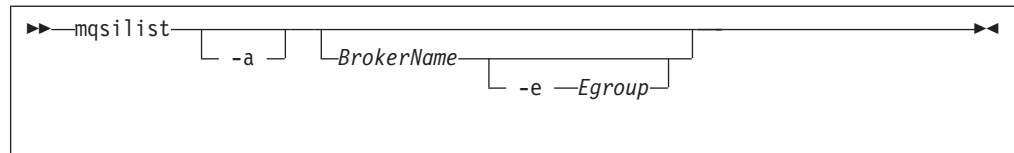
If you do not run the command from a privileged environment, you are asked to confirm that you want to continue. When you click **OK**, a new privileged command console is created and the command completed, but all responses are written to the privileged environment and are lost when that console closes when the command completes.

On Windows platforms, if you have specified a broker name and the `-e` flag, the user ID used to run this command must have `mqbrkrs` group membership.

On Linux and UNIX systems, the user ID must be a member of the `mqbrkrs` group.

**mqsilist (list resources) command - Windows, Linux and UNIX systems:**

*Syntax:*



If you do not specify any parameters when you issue this command, a list of components and queue manager names is displayed for each component created on this system, in the form:

```

BIP8099I: Broker: brokername - queuemanagername
BIP8099I: ConfigMgr: configmgrname - queuemanagername
BIP8099I: UserNameServer: UserNameServer - queuemanagername
BIP8071I: Successful command completion

```

*Parameters:*

**-a** (Optional) List all the components installed on the system.

If you use this option on brokers from a previous release of the product, you obtain the following message:

```
BIP8221I: <Component>: <ComponentName> (<Version>) - <Queue Manager>
```

*BrokerName*

(Optional) The name of the broker for which you want to list resources. This must be a deployed broker. A list of execution groups configured on this broker and the process ID (pid) of each is displayed.

**-e Egroup**

(Optional) Selects an execution group within a broker. Specify the label of the execution group for which you want to list message flows. The command returns a list of message flows assigned to the specified execution group within the broker.

The broker specified must be active for any message flow information to be returned.

*Examples:*

```

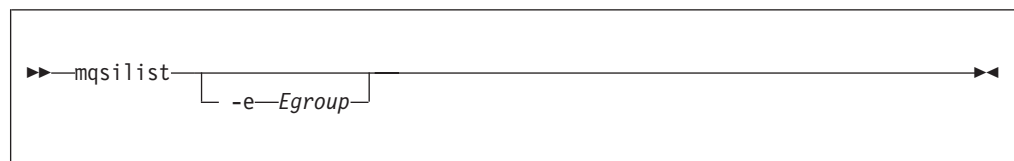
mqsilist WBRK_BROKER -e DefaultEG
mqsilist DatabaseInstanceMgr

```

**mqsilist (list resources) command - z/OS:**

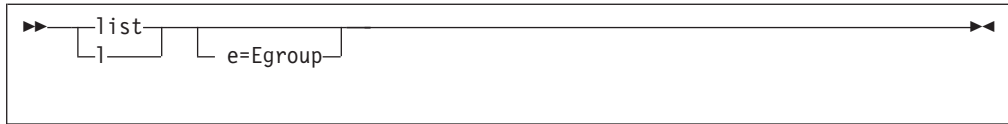
*Syntax:*

*z/OS command - BIPLIST:*



*z/OS console command:*

**Synonym:** l



If you do not specify any parameters when you issue this command, a list of the execution groups is displayed.

*Parameters:*

**-e Egroup**

(Optional) Selects an execution group within a broker. Specify the label of the execution group for which you want to list message flows. The command returns a list of message flows assigned to the specified execution group within the broker.

The broker specified must be active for any message flow information to be returned.

*Examples:*

You issue the **list** command only against a broker task name. For example:

```
F MQP1BRK, list
```

The output is the list of execution groups and process IDs in the form:

```
BIP8130I: Execution Group: <name> -<process ID>
BIP8071I: Successful command completion
```

If you specify an execution group, for example:

```
F MQP1BRK, list e='exgrp1'
```

the output is a list of message flows in the form:

```
BIP8131I: Messageflow: <MessageFlowName>
BIP8071I: Successful command completion
```

## **mqsilistaclentry command**

Use the **mqsilistaclentry** command to view or list the user groups, users, objects, or access control lists that you have defined.

### **Supported platforms:**

- Windows
- Linux and UNIX systems
- z/OS. Run this command in one of two ways - as a console command, or by customizing and submitting BIPLIACL; see “Contents of the Configuration Manager PDSE” on page 643

### **Purpose:**

Use the **mqsilistaclentry** command to view or list the following currently defined resources:

- User groups
- Users
- Objects
- Access control lists

If you do not specify any parameters, all the groups, users, and objects are listed.

If you specify *GroupName*, only those access control lists relating to that group are listed.

If you specify *UserName*, only those access control lists relating to that specific user are listed, including any access control lists to which they belong.

If you specify *Broker*, only those groups, users, or access control lists relating to that broker are listed.

The output from this command is a description of the access rights that match the criteria specified in the command line arguments; each line takes the following form:

<principal> - <principaltype> - <accesstype> - <objectname> - <objecttype>

where

- <principal> is the name of the user or group for which a policy has been defined.
- <principaltype> is USER if the principal refers to a user, or GROUP if the principal refers to a group.
- <accesstype> describes the type of authority that has been granted, and can be one of:
  - V** View access
  - F** Full control
  - D** Deploy access
  - E** Editor access
- <objectname> applies only to execution groups and brokers, and describes the name of the object that has had a policy defined.
- <objecttype> describes the type of object that has had a policy defined, and can be one of:

**Broker**

A broker

**ConfigManagerProxy**

Configuration Manager Proxy

**ExecutionGroup**

An execution group

**PubSubTopology**

The topology

**Subscription**

The list of active subscriptions

**TopicRoot**

The root topic

For example:

```
wrkgrp\ali - USER - F - EXE - BROKER\default
```

means that user "ali" in domain "wrkgrp" has been granted full control over the execution group default in broker "BROKER".

Select the appropriate link for details of this command on the platform, or platforms, that your enterprise uses:

- “mqsilistaclentry command - Windows”
- “mqsilistaclentry command - Linux and UNIX systems” on page 560
- “mqsilistaclentry command - z/OS” on page 561

**Authorization:**

On Windows Vista and Windows Server 2008 systems, the user ID used to run this command must be running with elevated privileges on the local system:

- The user ID must be a member of the group Administrators.
- The command must be started from an environment that has **Run as Administrator** authority.

If you do not run the command from a privileged environment, you are asked to confirm that you want to continue. When you click **OK**, a new privileged command console is created and the command completed, but all responses are written to the privileged environment and are lost when that console closes when the command completes.

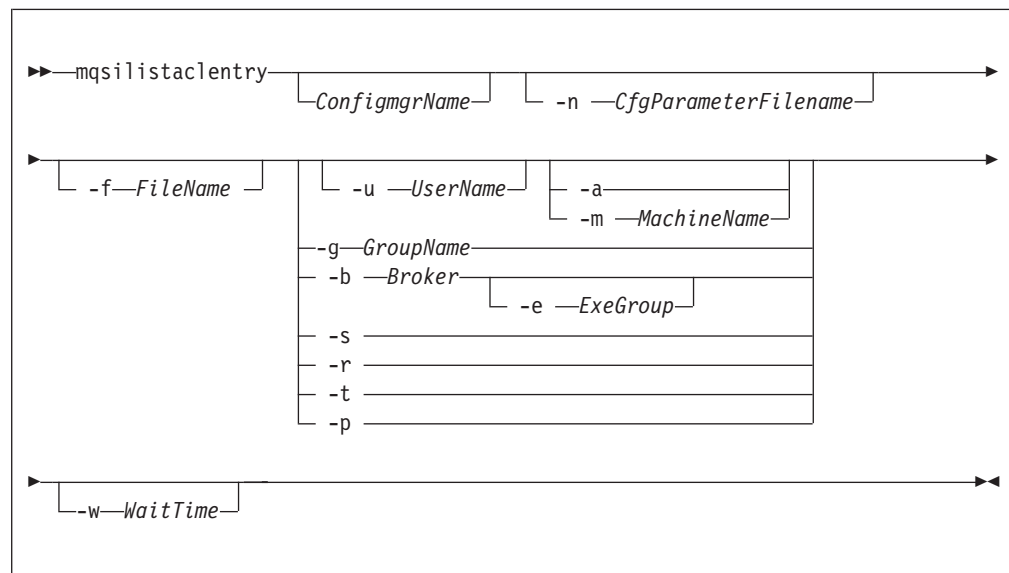
On all platforms, the user ID used to run this command must have full control permissions for the object being displayed.

On Linux and UNIX, the user ID must be a member of mqbrkrs.

When z/OS commands are run through the console, they effectively run as the Configuration Manager started-task ID. Therefore the commands inherit a Full Control root ACL and you can carry out all operations. If you submit a console command to the Configuration Manager you can change all ACLs for that Configuration Manager.

**mqsilistaclentry command - Windows:**

*Syntax:*



*Parameters:*

*ConfigmgrName*

(Optional) The name of the Configuration Manager for which the access control lists are to be displayed.

The default name, if this parameter is not specified, is 'ConfigMgr'.

**-n** *CfgParameterFilename*

(Optional) This parameter specifies the name of a .configmgr file that describes the connection parameters to the Configuration Manager.

The file is in XML, using the .configmgr format that is saved by the workbench; for example:

```
<?xml version="1.0" encoding="UTF-8"?>
<configmgr crlNameList="" domainName="" host="winmvsd0" listenerPort="2206"
queueManager="mq06" securityExit="" securityExitJar="" sslCipherSuite="NONE"
sslDistinguishedNames="" sslKeyStore="" sslTrustStore="" svrconn="SYSTEM.BKR.CONFIG"/>
```

**-f** *FileName*

(Optional) The file from which to import the configuration. The output of the **mqsilistaentry** command, with output generated using the **-f** option, is the correct format.

**-g** *GroupName*

(Optional) The local group to which this entry refers. For this reason, the name must adhere to the standard platform convention for group names.

To add a domain group, grant authority to a local group and then add the domain group, or groups, that you want to authorize into that local group. Any members of those domain groups obtain the permissions of the local group indirectly.

**-u** *UserName*

(Optional) The user name to which this entry refers, for example, TEST\ANOTHER.

**-m** *MachineName*

(Optional) The name of the machine from which a specified user can connect. This option can not be used with **-a**.

**-a** (Optional) The specified user may connect to all machines. This option can not be used with **-m**.

**-b** *Broker*

(Optional) The object is a broker object, and its name is specified as a parameter.

**-e** *ExeGroup*

(Optional) The object is an execution group and its name is specified as a parameter of the form Broker\ExeGroup. You must specify the **b** flag if you specify this flag.

**-s** *Subscription*

(Optional) The object is a subscription object, and its name is specified as a parameter.

**-r** (Optional) The object refers to the root topic.

**-t** (Optional) The object refers to the main topology.

**-p** (Optional) The object refers to the "allresources" resource type. The authority

that the principal has for this object applies to all objects, including the `mqsicreateaclentry`, `mqsdeleteaclentry`, and `mqslistaclentry` commands themselves.

**-w** *WaitTime*

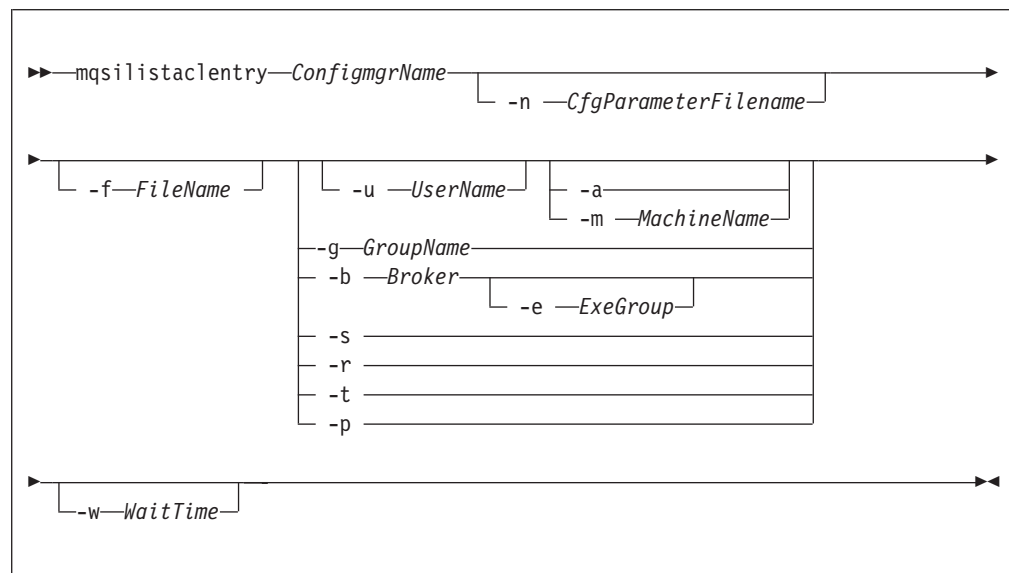
(Optional) The time in seconds that the command waits for a response from the Configuration Manager. If you do not supply a value, the command waits for 30 seconds.

*Examples:*

```
mqslistaclentry CMGR01 -b BROKER01
mqslistaclentry CMGR01 -e BROKER01\ExeGrp01
mqslistaclentry CMGR01 -g GROUPA
```

**mqslistaclentry command - Linux and UNIX systems:**

*Syntax:*



*Parameters:*

**ConfigmgrName**

(Required) The name of the Configuration Manager for which the access control lists are to be displayed. This parameter must be the first parameter specified and its name is case-sensitive.

**-n CfgParameterFilename**

(Optional) This parameter specifies the name of a `.configmgr` file that describes the connection parameters to the Configuration Manager.

The file is in XML, using the `.configmgr` format that is saved by the workbench; for example:

```
<?xml version="1.0" encoding="UTF-8"?>
<configmgr cr1NameList="" domainName="" host="winmvsd0" listenerPort="2206"
queueManager="mq06" securityExit="" securityExitJar="" sslCipherSuite="NONE"
sslDistinguishedNames="" sslKeyStore="" sslTrustStore="" svrconn="SYSTEM.BKR.CONFIG"/>
```



- f *FileName*  
(Optional) The file from which to import the configuration. The output of the **mqsilistaclentry** command, with output generated using the **-f** option, is the correct format.
- g *GroupName*  
(Optional) The local group to which this entry refers. For this reason, the name must adhere to the standard platform convention for group names.  
  
To add a domain group, grant authority to a local group and then add the domain group, or groups, that you want to authorize into that local group. Any members of those domain groups obtain the permissions of the local group indirectly.
- u *UserName*  
(Optional) The user name to which this entry refers, for example, TEST\ANOTHER.
- m *MachineName*  
(Optional) The name of the machine from which a specified user can connect. This option can not be used with **-a**.
- a (Optional) The specified user may connect to all machines. This option can not be used with **-m**.
- b *Broker*  
(Optional) The object is a broker object, and its name is specified as a parameter.
- e *ExeGroup*  
(Optional) The object is an execution group and its name is specified as a parameter of the form Broker\ExeGroup. You must specify the **b** flag if you specify this flag.
- s *Subscription*  
(Optional) The object is a subscription object, and its name is specified as a parameter.
- r (Optional) The object refers to the root topic.
- t (Optional) The object refers to the main topology.
- p (Optional) The object refers to the "allresources" resource type. The authority that the principal has for this object applies to all objects, including the **mqsicreateaclentry**, **mqsdeleteaclentry**, and **mqsilistaclentry** commands themselves.
- w *WaitTime*  
(Optional) The time in seconds that the command waits for a response from the Configuration Manager. If you do not supply a value, the command waits for 30 seconds.

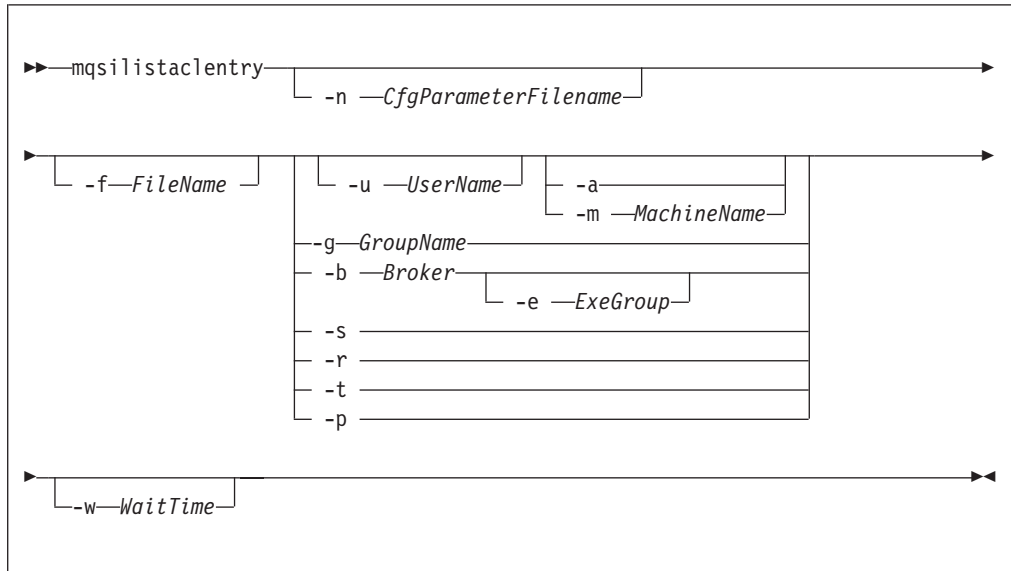
*Examples:*

```
mqsilistaclentry CMGR01 -b BROKER01
mqsilistaclentry CMGR01 -e BROKER01\ExeGrp01
mqsilistaclentry CMGR01 -g GROUPA
```

**mqsilistaclentry command - z/OS:**

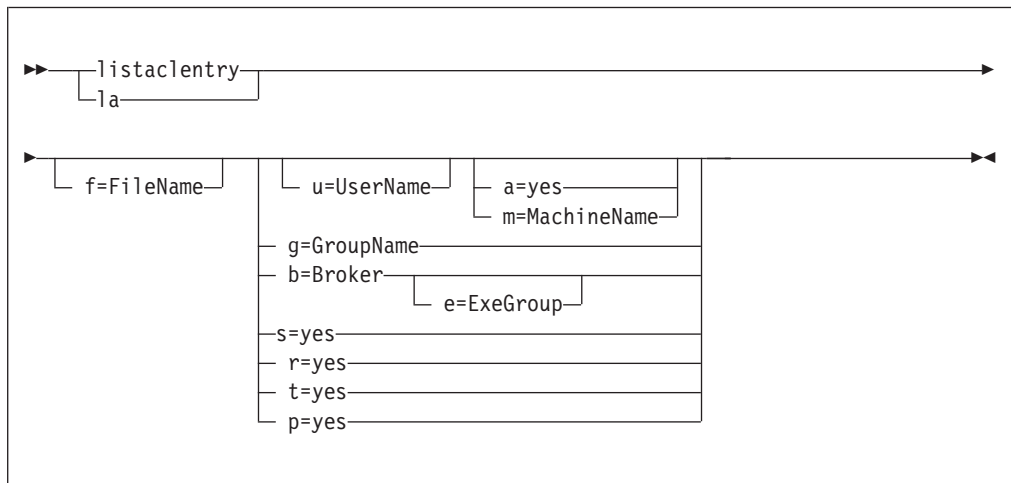
*Syntax:*

*z/OS command - BIPLIACL:*



z/OS console command:

**Synonym:** la



*Parameters:*

*ConfigmgrName*

This parameter is implicit because you specify the component that you want to MODIFY.

**-n CfgParameterFilename**

(Optional) This parameter specifies the name of a .configmgr file that describes the connection parameters to the Configuration Manager.

The file is in XML, using the .configmgr format that is saved by the workbench; for example:

```
<?xml version="1.0" encoding="UTF-8"?>
<configmgr crlNameList="" domainName="" host="winmvsd0" listenerPort="2206"
queueManager="mq06" securityExit="" securityExitJar="" sslCipherSuite="NONE"
sslDistinguishedNames="" sslKeyStore="" sslTrustStore="" svrconn="SYSTEM.BKR.CONFIG"/>
```

Remove the statement `encoding="UTF-8"` from the first line of the `.configmgr` file, and remove the value for the `host` attribute, to leave the statement as:

```
<?xml version="1.0"?>
<configmgr crlNameList="" domainName="" host="" listenerPort="2206"
queueManager="mq06" securityExit="" securityExitJar="" sslCipherSuite="NONE"
sslDistinguishedNames="" sslKeyStore="" sslTrustStore="" svrconn="SYSTEM.BKR.CONFIG"/>
```

**-f** *FileName*

(Optional) The file from which to import the configuration. The output of the **mqsilistaclentry** command, with output generated using the **-f** option, is the correct format.

**-g** *GroupName*

(Optional) The local group to which this entry refers. For this reason, the name must adhere to the standard platform convention for group names.

To add a domain group, grant authority to a local group and then add the domain group, or groups, that you want to authorize into that local group. Any members of those domain groups obtain the permissions of the local group indirectly.

**-u** *UserName*

(Optional) The user name to which this entry refers, for example, TEST\ANOTHER.

**-m** *MachineName*

(Optional) The name of the machine from which a specified user can connect. This option can not be used with **-a**.

**-a** (Optional) The specified user may connect to all machines. This option can not be used with **-m**.

**-b** *Broker*

(Optional) The object is a broker object, and its name is specified as a parameter.

**-e** *ExeGroup*

(Optional) The object is an execution group and its name is specified as a parameter of the form `Broker\ExeGroup`. You must specify the **b** flag if you specify this flag.

**-s** *Subscription*

(Optional) The object is a subscription object, and its name is specified as a parameter.

**-r** (Optional) The object refers to the root topic.

**-t** (Optional) The object refers to the main topology.

**-p** (Optional) The object refers to the "allresources" resource type. The authority that the principal has for this object applies to all objects, including the `mqsicreateaclentry`, `mqsideleteaclentry`, and `mqsilistaclentry` commands themselves.

**-w** *WaitTime*

(Optional) The time in seconds that the command waits for a response from the Configuration Manager. If you do not supply a value, the command waits for 30 seconds.

Examples:

```
mqsilistaclentry CMGR01 -g GROUPA
```

For the console form of the command on z/OS you must use a comma between each command option. The following example shows the console version of the preceding example:

```
/f CMGR01,1a g='GROUPA'
```

## mqsilistmqpubsub command

Use the mqsilistmqpubsub command to display the status of the WebSphere MQ Publish/Subscribe neighbor brokers to the specified WebSphere Message Broker broker.

### Supported platforms:

- Windows
- Linux and UNIX systems
- z/OS. Run this command by customizing and submitting BIPLSMP; see “Contents of the broker PDSE” on page 640

### Purpose:

The mqsilistmqpubsub command returns the status of the activity started by a previous join request (see “mqsijoinmqpubsub command” on page 552). The command reports on the status of each neighbor broker, which can be:

**Active** Broker status is active if the join request has completed successfully.

### Inactive

Broker status is inactive if the join has been initiated, but has not completed.

This command also shows the streams that are recognized by both the WebSphere Message Broker broker and its neighbor (on which messages can be published and distributed between the brokers). Stream information is provided only for neighbors with *active* status.

Use this command only if you are integrating with, or migrating from, an WebSphere MQ Publish/Subscribe broker network.

The output generated by this command is directed to STDOUT.

### Syntax:

```
►►—mqsilistmqpubsub—BrokerName—◄◄
```

### Parameters:

*BrokerName*

(Required) The name of the broker for which you want a list of neighbors.

### Authorization:

On Windows Vista and Windows Server 2008 systems, the user ID used to run this command must be running with elevated privileges on the local system:

- The user ID must be a member of the group Administrators.
- The command must be started from an environment that has **Run as Administrator** authority.

If you do not run the command from a privileged environment, you are asked to confirm that you want to continue. When you click **OK**, a new privileged command console is created and the command completed, but all responses are written to the privileged environment and are lost when that console closes when the command completes.

On Windows XP and Windows Server 2003 systems, no authorization is required.

On Linux and UNIX systems, the user ID must be a member of the mqbrkr group.

### Examples:

If no WebSphere MQ Publish/Subscribe brokers exist, and no mqsijoinmqpubsub command has been issued, this command returns the following message:

```
BIP8088I: There are no WebSphere MQ Publish/Subscribe neighbors
```

If an mqsijoinmqpubsub command has been issued, one of two response messages is displayed:

- For every broker that is an inactive neighbor of WBRK\_BROKER (that is, a request has been made, using the mqsijoinmqpubsub or strmqbrk command, to add the broker to the network, but negotiations for common streams are still in progress), the following message is displayed:

```
BIP8089I: WebSphere MQ Publish/Subscribe neighbor <brokername> is inactive.
```

- For every broker that is an active neighbor of WBRK\_BROKER (that is, the two brokers are exchanging publications and subscriptions for each of the common streams), the following message is displayed:

```
BIP8090I: WebSphere MQ Publish/Subscribe neighbor <brokername> is active.
```

Additional messages are displayed for active brokers to indicate the common streams for which publications and subscriptions are exchanged, in the following form:

```
BIP8091I: Common stream streamname
```

For example,

```
mqsilistmqpubsub WBRK_BROKER
```

might return the following responses:

```
BIP8090I: MQSeries Publish/Subscribe neighbor MQPS_BROKER_1 is active.  
BIP8091I: Common stream SYSTEM.BROKER.DEFAULT.STREAM.  
BIP8091I: Common stream STREAM0.  
BIP8090I: MQSeries Publish/Subscribe neighbor MQPS_BROKER_2 is active.  
BIP8091I: Common stream SYSTEM.BROKER.DEFAULT.STREAM.  
BIP8091I: Common stream STREAM150.  
BIP8089I: MQSeries Publish/Subscribe neighbor MQPS_BROKER_3 is inactive.
```

In this example, the WebSphere Message Broker broker has three WebSphere MQ Publish/Subscribe neighbors. Two of these neighbors are active and have been successfully joined to the WebSphere Message Broker broker. The third is inactive and is in the process of being joined.

The list of streams that are common to the WebSphere Message Broker broker and the two active WebSphere MQ Publish/Subscribe brokers are included in the response. For MQPS\_BROKER\_1, the streams SYSTEM.BROKER.DEFAULT.STREAM and STREAM0 are common. For MQPS\_BROKER\_2, the streams SYSTEM.BROKER.DEFAULT.STREAM and STREAM150 are common.

If a neighbor is inactive for a long period of time, it is likely that the communication link between the two brokers has been broken. Ensure that the WebSphere MQ connections between the two brokers (channels and transmission queues) are running, and that the WebSphere Message Broker and WebSphere MQ Publish/Subscribe brokers are both active.

### **mqsimanagexalinks command**

Use the mqsimanagexalinks command to set up links for a supported database on Linux and UNIX systems for XA coordination under the control of WebSphere MQ.

#### **Supported platforms:**

- Linux and UNIX systems

#### **Purpose:**

The command sets up or removes the links required by WebSphere MQ to include databases in XA transactions.

You can also use the mqsimanagexalinks command to return a list of supported ODBC drivers.

Run the mqsimanagexalinks command before you create a broker database. You can run the command before or after you install your database; specify either the intended or the actual database installation directory where indicated.

#### **Syntax:**

```
▶▶ mqsimanagexalinks create ODBC_driver_type remove
▶▶ broker_installation_directory database_installation_directory
▶▶ mqsimanagexalinks list
```

#### **Parameters:**

##### **create**

(Required) Specify that the required links are created.

##### **remove**

(Required) Specify that the defined links are removed.

##### **ODBC\_driver\_type**

(Required) The ODBC driver type. See the list command for the list of ODBC drivers that are supported.

This parameter is required if you specify **create**, and is optional if you specify **remove**. If you specify **remove** and omit this parameter, all links are removed.

**broker\_installation\_directory**

(Required) The full path to your broker installation.

This parameter is required only if you specify **create**.

**database\_installation\_directory**

(Optional). The full path to your database installation.

This parameter is required only if you have created a DB2 or Informix database. This parameter is required only if you specify **create**. If you are using an Informix database, set this parameter to the location of your Informix client installation.

**list**

(Required) Display the list of supported ODBC driver versions. Use the output to check what values you can specify for **ODBC\_driver\_type**.

For example, the following output is generated on AIX:

Supported information for the 'create' option

Supported version of the ODBC drivers	Version number for mqsimanagexalinks
DB2 Version 8	DB28
DB2 Version 9	DB29
DataDirect Connect for ODBC V5.3	DD53
Informix 64-bit databases	INF64
Informix 32-bit databases	INF32

Supported information for the 'remove' option

Supported version of the ODBC drivers	Version number for mqsimanagexalinks
DB2 Version 8	DB28
DB2 Version 9	DB29
DataDirect Connect for ODBC V5.0	DD50 (on HP-UX on PA-RISC only)
DataDirect Connect for ODBC V5.2	DD52 (not on HP-UX on PA-RISC)
DataDirect Connect for ODBC V5.3	DD53
Informix 64-bit databases	INF64
Informix 32-bit databases	INF32

**Links created in /var/mqm/exits:**

The links that are created are shown later in this section for each supported database. Not all links are created on all platforms; the links created are determined by the database support on each platform. In the links shown, x represents the relevant library extension on your platform.

**DB2 Version 8**

- database\_install\_dir/lib/libdb2.x*
- database\_install\_dir/lib/libdb2.x.1*
- broker\_install\_dir/sample/xatm/db2swit32*

**DB2 Version 9**

*database\_install\_dir/lib32/libdb2.x*  
*database\_install\_dir/lib32/libdb2.x.1*  
*broker\_install\_dir/sample/xatm/db2swit32*

#### **Informix**

*database\_install\_dir/lib*  
*database\_install\_dir/lib/esql*

For platforms that also support 64-bit mode: *broker\_install\_dir/sample/xatm/infswit32*

For platforms that do not support 64-bit mode: *broker\_install\_dir/sample/xatm/infswit*

#### **Oracle**

*broker\_install\_dir/ODBC32/V5.3/lib/libUKicu23.x*  
*broker\_install\_dir/ODBC32/V5.3/lib/UKor823.x*  
*broker\_install\_dir/ODBC32/V5.3/lib/UKor8dtc23.x*  
*broker\_install\_dir/ODBC32/V5.3/lib/libodbcinst.x*

Where *.x* is the library extension on your platform: *.a*, *.so*, or *.sl*.

#### **Sybase**

*broker\_install\_dir/ODBC32/V5.3/lib/libUKicu23.x*  
*broker\_install\_dir/ODBC32/V5.3/lib/UKase23.x*  
*broker\_install\_dir/ODBC32/V5.3/lib/UKasedtc23.x*  
*broker\_install\_dir/ODBC32/V5.3/lib/libodbcinst.x*

Where *.x* is the library extension on your platform: *.a*, *.so*, or *.sl*.

#### **Links created in /var/mqm/exits64:**

Links that are created for each supported database:

##### **DB2 Version 8**

*database\_install\_dir/lib64/libdb2.x*  
*database\_install\_dir/lib64/libdb2.x.1*  
*broker\_install\_dir/sample/xatm/db2swit*

##### **DB2 Version 9**

*database\_install\_dir/lib64/libdb2.x*  
*database\_install\_dir/lib64/libdb2.x.1*  
*broker\_install\_dir/sample/xatm/db2swit*

#### **Informix**

*database\_install\_dir/lib*  
*database\_install\_dir/lib/esql*  
*broker\_install\_dir/sample/xatm/infswit*

#### **Oracle**

*broker\_install\_dir/ODBC64/V5.3/lib/libUKicu23.x*  
*broker\_install\_dir/ODBC64/V5.3/lib/UKora23.x*  
*broker\_install\_dir/ODBC64/V5.3/lib/UKor8dtc23.x*  
*broker\_install\_dir/ODBC64/V5.3/lib/libodbcinst.x*

Where *.x* is the library extension on your platform: *.a*, *.so*, or *.sl*.



## Sybase

```
broker_install_dir/ODBC64/V5.3/lib/libUKicu23.x  
broker_install_dir/ODBC64/V5.3/lib/UKase23.x  
broker_install_dir/ODBC64/V5.3/lib/UKasedtc23.x  
broker_install_dir/ODBC64/V5.3/lib/libodbcinst.x
```

Where *.x* is the library extension on your platform: *.a*, *.so*, or *.sl*.

### Authorization:

The user ID with which you run this command must be root.

### Examples:

To create the links required for DB2 Version 9:

```
mqsimanagexalinks create DB29 /opt/IBM/mqsi/V6.1 /opt/IBM/db2/V9.1
```

To create the links required for Informix 64-bit drivers:

```
mqsimanagexalinks create INF64 /opt/IBM/mqsi/V6.1 /informix/client
```

To create the links required for Oracle and Sybase databases (these databases use the DataDirect V5.3 drivers):

```
mqsimanagexalinks create DD53 /opt/IBM/mqsi/V6.1
```

To remove the links required for Oracle and Sybase databases (these databases previously used the DataDirect V5.2 drivers):

```
mqsimanagexalinks remove DD52
```

To list the supported database drivers:

```
mqsimanagexalinks list
```

## mqsimigratecomponents command

Use the `mqsimigratecomponents` command to migrate a component from a previously installed version of the product to another version on the same computer to prepare it for participation in the broker domain of the target version.

### Supported platforms:

- Windows.
- Linux and UNIX systems.
- z/OS. Run this command by customizing and submitting BIPMGCOMP.

### Purpose:

Migrate components to WebSphere Message Broker Version 6.1 from Version 6.0 or from Version 5.0. For Version 5.0 of the product, Version 5.0.0.4 (Fix Pack 4) is the earliest release of the product that is supported.

You can also use this command to return a component from a later version to an earlier one to reverse the effects of forward migration, with one exception. You cannot return a Configuration Manager from Version 6.1 to Version 5.0.

You must run this command from whichever version of the installed product is the later, regardless of whether it is the source version or the target version.

You must have an installation of the product at the required version, with the required component code installed, to issue this command successfully.

Before you start migration, stop any active debug sessions in the Message Broker Toolkit. You cannot migrate message flows that are being debugged.

Specify appropriate options on this command to perform one of the following actions:

- Check on a component, without making any changes, to ensure that the component is suitable for the required migration (-c).
- Move a component to a different version, in full or part (-s and -t).
- Undo a failed migration step (-u).
- Verify that a move has been successful (-v).

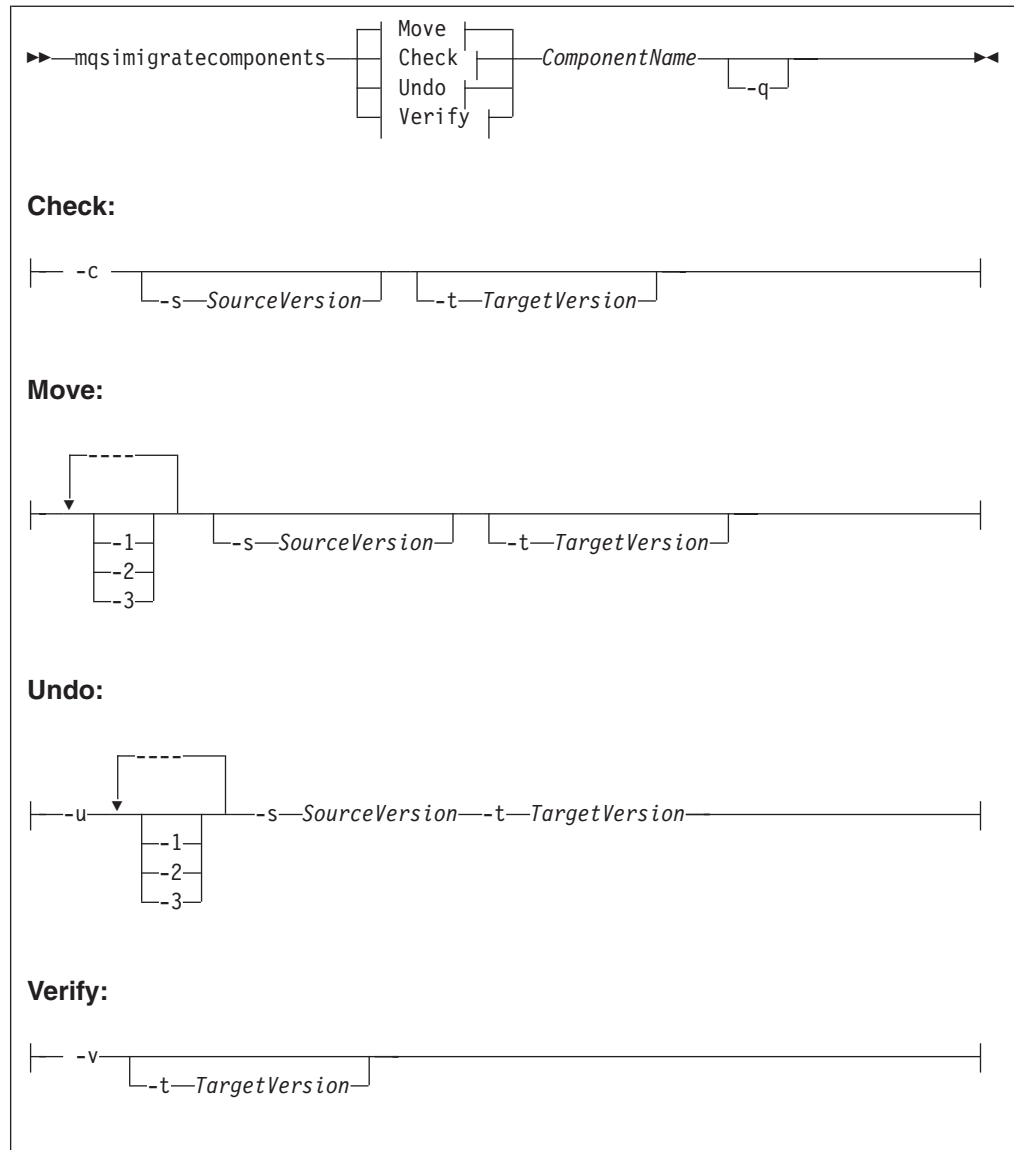
If you are using the `mqsimigratecomponents` command to migrate a broker that uses Sybase for its broker database, you must modify the database by performing the following actions:

1. Log on to ISQL using a system administrator account.
2. Issue the following series of commands:

```
1> use master
2> go
1> sp_dboption "BROKER1","ddl in tran",TRUE
2> go
Database option 'ddl in tran' turned ON for database 'BROKER1'.
Run the CHECKPOINT command in the database that was changed.
(return status = 0)
1> use BROKER1
2> go
1> checkpoint
2> go
```

where *BROKER1* is the name of the Sybase broker database.

**Syntax:**



### Parameters:

- c** (Optional) Check a specified component before migration, to ensure that:
- The auto-detected version of the broker matches any version specified on the command line.
  - 64-bit execution groups are not supported if you are migrating from Version 6.1 to Version 5.0.
  - The database tables to be copied from a previous release do not contain any rows that are incorrectly indexed.

You can check a running component. The check does not affect the component, apart from a slight impact on performance. On Linux and UNIX systems, you must migrate the ODBC configuration files (the files in which you have defined the data sources which are referenced by ODBCINI and ODBCINI64) before you run the check, because the checking command must be able to access the broker database.

The check command either succeeds or fails, and prints a message about whether the migration will succeed, but no modifications are made during the process.

- v (Optional) Check a specified component after migration, to ensure that:
  - The correct database tables and queues exist for the specified version.
  - The registry is in the correct format for the specified version.
- q (Optional) Print fewer status messages during the operation.
- 1 (Optional) Do only registry and file system work.
  - When you migrate to Version 6.1, use the **-1** parameter before the **-2** or **-3** parameters.
  - When migrating backwards to a previous version, use the **-2** or **-3** parameters before the **-1** parameter.
- 2 (Optional) Do only WebSphere MQ work.
- 3 (Optional) Do only database work.

If a broker that you are migrating shares a database schema with another broker, warning message BIP8678 is issued and the check fails. In this case, all the brokers that share a database schema must be migrated together.

1. Stop all the brokers that share the database schema.
2. Migrate the first broker. This action migrates the database tables for all brokers, as well as the file system and registry, and WebSphere MQ definitions for that broker only; for example:

```
mqsigratecomponents FIRSTBROKER -t 6.1.0.0
```
3. Migrate the file system and registry, and WebSphere MQ parts of each of the other brokers; the database part has already been migrated. Use the **-1** and **-2** parameters to do this, either in one step or two steps:
  - In one step:

```
mqsigratecomponents BROKERB -1 -2
```
  - In two steps:

```
mqsigratecomponents BROKERB -1  
mqsigratecomponents BROKERB -2
```

- u (Optional) Undo a failed migration step; you must also specify at least one of **-1**, **-2**, or **-3**. Use this option only when migration has failed, and also failed to auto-recover (a failure during split migration being one example).

**-s** *SourceVersion*

(Optional) The previous version of the component.

- If not specified, this value is detected automatically.
- When you perform split migration to Version 6.1, the **-s** parameter is mandatory after you run the `mqsigratecomponents` command with the **-1** parameter, as shown in the split migration example.
- See “Purpose” on page 569 for the restrictions to the version numbers of the product that are supported.

**-t** *TargetVersion*

(Optional) The destination version of the component.

- If not specified, this value is assumed to be the current version.
- When you perform split migration from Version 6.1 to a previous version, the **-t** parameter is mandatory, as shown in the split migration example.

- See “Purpose” on page 569 for the restrictions to the version numbers of the product that are supported.

*ComponentName*

(Required) The name of the component to migrate.

**Authorization:**

On Windows Vista and Windows Server 2008 systems, the user ID used to run this command must be running with elevated privileges on the local system:

- The user ID must be a member of the group Administrators.
- The command must be started from an environment that has **Run as Administrator** authority.

If you do not run the command from a privileged environment, you are asked to confirm that you want to continue. When you click **OK**, a new privileged command console is created and the command completed, but all responses are written to the privileged environment and are lost when that console closes when the command completes.

The `mqsimigratecomponents` command updates your registry and file system, WebSphere MQ definitions, and database definitions. If the user ID used to run this command does not have the authority to perform all of these steps, you can run the command one part at a time. Different users can run the part for which they are authorized in order to achieve the overall result. This approach is referred to as *split migration*, and is performed using the `-1`, `-2`, and `-3` parameters.

If you run single-step migration, your user ID must have the ability to:

- Write to the registry and the file system for the product
- Modify databases associated with the component
- Modify queue definitions

If you run split migration, your user ID must always have the ability to read from the registry for the product, and also have specific authorization for each step to succeed:

- `-1` requires the ability to write to the registry and the file system for the product
- `-2` requires the ability to modify queue definitions
- `-3` requires the ability to modify databases associated with the component

**Responses:**

This command can produce a large number of possible responses, depending on the results of the various operations. This command differs from other commands in the way it produces messages: they are displayed as generated, rather than being reported in a batch at the end of the program. When you migrate database tables, z/OS produces more output than distributed systems. Use the `-q` parameter to reduce the number of messages displayed.

**Examples:**

The following example shows a split migration from Version 5.0 to Version 6.1:

```
mqsimigratecomponents BROKER -1
mqsimigratecomponents BROKER -s 5.0.0.5 -2
mqsimigratecomponents BROKER -s 5.0.0.5 -3
```

The following example shows a pre-migration check followed by a migration of BROKER1 from Version 6.0 to Version 6.1 on Windows XP:

```
mqsigratecomponents -c BROKER1
BIP8849I: Broker 'BROKER1' (Version 6.0) with Queue Manager 'QM' and
Data Source 'BROKERDB' specified for migration.
BIP8680I: Pre-migration check succeeded.
BIP8071I: Successful command completion.

mqsigratecomponents BROKER1
BIP8849I: Broker 'BROKER1' (Version 6.0) with Queue Manager 'QM' and
Data Source 'BROKERDB' specified for migration.
BIP8768I: Finished registry migration for component 'BROKER1'.
BIP8654I: Moving filesystem artefacts from
'C:\Documents and Settings\All Users\Application Data\IBM\MQSI' to
'C:\Documents and Settings\AllUsers\Application Data\IBM\MQSI'
BIP8670I: Database migration started
BIP8663I: Creating temporary new tables
BIP8664I: Migrating from existing tables to temporary new tables
BIP8665I: Dropping existing tables
BIP8666I: Creating new tables
BIP8667I: Copying all rows from temporary new tables to new tables
BIP8668I: Dropping temporary new tables
BIP8669I: Database migration successful
WebSphere MQ queue manager running.
BIP8785I: Starting WebSphere MQ queue migration for component 'BROKER1'.
The setmqaut command completed successfully.
BIP8786I: Created WebSphere MQ queue 'SYSTEM.BROKER.EDA.COLLECTIONS'
The setmqaut command completed successfully.
BIP8786I: Created WebSphere MQ queue 'SYSTEM.BROKER.EDA.EVENTS'
BIP8787I: Cleared WebSphere MQ queue 'SYSTEM.BROKER.AGGR.REQUEST'
BIP8787I: Cleared WebSphere MQ queue 'SYSTEM.BROKER.AGGR.CONTROL'
BIP8787I: Cleared WebSphere MQ queue 'SYSTEM.BROKER.AGGR.REPLY'
BIP8787I: Cleared WebSphere MQ queue 'SYSTEM.BROKER.AGGR.TIMEOUT'
BIP8787I: Cleared WebSphere MQ queue 'SYSTEM.BROKER.AGGR.UNKNOWN'
BIP8787I: Cleared WebSphere MQ queue 'SYSTEM.BROKER.TIMEOUT.QUEUE'
BIP8787I: Cleared WebSphere MQ queue 'SYSTEM.BROKER.ADMIN.QUEUE'
BIP8787I: Cleared WebSphere MQ queue 'SYSTEM.BROKER.EXECUTIONGROUP.QUEUE'
BIP8787I: Cleared WebSphere MQ queue 'SYSTEM.BROKER.EXECUTIONGROUP.REPLY'
BIP8787I: Cleared WebSphere MQ queue 'SYSTEM.BROKER.WS.INPUT'
BIP8787I: Cleared WebSphere MQ queue 'SYSTEM.BROKER.WS.REPLY'
BIP8787I: Cleared WebSphere MQ queue 'SYSTEM.BROKER.WS.ACK'
BIP8787I: Cleared WebSphere MQ queue 'SYSTEM.BROKER.IPC.QUEUE'
BIP8789I: Finished WebSphere MQ queue migration for component 'BROKER1'.
BIP8071I: Successful command completion.
```

The following example shows a migration from Version 6.1 back to Version 6.0:

```
mqsigratecomponents BROKER -t 6.0.0.3
```

## **mqsimode command**

Use the `mqsimode` command to configure and retrieve operation mode information for one or more brokers in a domain.

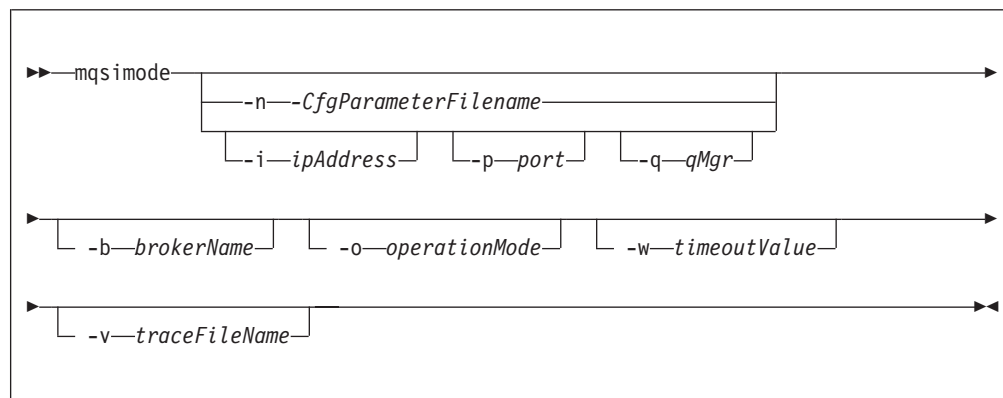
### **Supported platforms:**

- Windows
- Linux and UNIX systems

### **Purpose:**

Use the `mqsimode` command to change the operation mode for one or more brokers in a domain, or to retrieve information about the mode in which the broker is currently working.

## Syntax:



## Parameters:

### **-n** *CfgParameterFileName*

(Optional) This parameter specifies the name of a `.configmgr` file that describes the connection parameters to the Configuration Manager.

The file is in XML, using the `.configmgr` format that is saved by the workbench; for example:

```
<?xml version="1.0" encoding="UTF-8"?>
<configmgr crlNameList="" domainName="" host="winmvsd0" listenerPort="2206"
queueManager="mq06" securityExit="" securityExitJar="" sslCipherSuite="NONE"
sslDistinguishedNames="" sslKeyStore="" sslTrustStore="" svrconn="SYSTEM.BKR.CONFIG"/>
```

If you do not supply the **-n** parameter, you must specify the **-i**, **-p**, and **-q** parameters.

### **-i** *ipAddress*

(Optional) This parameter specifies the host name or IP address of the Configuration Manager. If this parameter is not specified, the default value "" is used, which results in a local binding connection.

If you do not supply the **-i**, **-p**, and **-q** parameters, you must specify the **-n** parameter.

### **-p** *port*

(Optional) This parameter is the port number of the Configuration Manager. If this parameter is not specified, the default value 1414 is used.

If you do not supply the **-i**, **-p**, and **-q** parameters, you must specify the **-n** parameter.

### **-q** *qMgr*

(Optional) This parameter specifies the name of the WebSphere MQ queue manager that the Configuration Manager is using. If this parameter is not specified, the default value "" is used.

If you do not supply the **-i**, **-p**, and **-q** parameters, you must specify the **-n** parameter.

### **-b** *brokerName*

(Optional) This parameter specifies the name of the broker for which you want to change the mode. If you do not specify the **-b** parameter, the command applies to all brokers in the domain. You cannot specify either multiple **-b** parameters in a single command, or insert the name of more than one broker into a single **-b** parameter.

**-o** *operationMode*

(Optional) This parameter sets the mode of the target broker or brokers. Valid values are enterprise (the full edition), starter (Starter Edition), and adapter (Remote Adapter Deployment mode). If you do not specify the **-o** parameter, the command displays the mode in which the broker is running.

**-w** *timeoutValue*

(Optional) This parameter is the time in seconds that the utility waits to ensure that the command completed; the default value is 60.

**-v** *traceFileName*

(Optional) This parameter sends internal debug trace information to the specified file.

**Authorization:**

On Windows Vista and Windows Server 2008 systems, the user ID used to run this command must be running with elevated privileges on the local system:

- The user ID must be a member of the group Administrators.
- The command must be started from an environment that has **Run as Administrator** authority.

If you do not run the command from a privileged environment, you are asked to confirm that you want to continue. When you click **OK**, a new privileged command console is created and the command completed, but all responses are written to the privileged environment and are lost when that console closes when the command completes.

On all supported platforms, the user ID that is used to run this command to change the mode must have sufficient authority defined in the Configuration Manager. Therefore, the user ID must be a member of both the mqm and mqbrkr groups, and must have full administration rights to the Configuration Manager.

**Examples:**

**Running the mqsimode command using both the -o and -b parameters**

When you run the mqsimode command using both the **-o** and **-b** parameters, it sets the mode for a given broker, and reports any errors. For example, if you run the following mqsimode command and your broker is in the following state:

- *Broker\_Name* is the name of your broker.
- Your broker contains too many execution groups for the Starter Edition mode.

```
mqsimode -i localhost -p 1414 -q WBRK61_DEFAULT_QUEUE_MANAGER -b Broker_Name
-o starter
```

You receive the following messages:

```
BIP1044: Connecting to the Configuration Manager's queue manager...
BIP1045: Connecting to the Configuration Manager...
BIP1809: Deploying 'Broker_Mode' mode on broker 'Broker_Name'...
BIP1805: The mode for broker 'Broker_Name' has been changed to 'starter'.
BIP1821: WARNING: Broker 'Broker_Name' is in 'starter' mode but has '3' execution
groups, which exceeds the allowed maximum for this mode.
BIP8229: The command completed with the following number of warnings: 1.
```

**Running the mqsimode command without the -o parameter, but with the -b parameter**



When you run the `mqsimode` command without the `-o` parameter, but with the `-b` parameter, you receive a report about the mode being used by your broker, and a report about any mode violations. For example, if you run the following `mqsimode` command and your broker is in the following state:

- *Broker\_Name* is the name of your broker.
- Your broker is in Starter Edition mode.
- Your broker has no violations.

```
mqsimode -i localhost -p 1414 -q WBRK61_DEFAULT_QUEUE_MANAGER -b Broker_Name
```

You receive the following messages:

```
BIP1044: Connecting to the Configuration Manager's queue manager...
BIP1045: Connecting to the Configuration Manager...
BIP1807: Discovering mode information from broker 'Broker_Name'...
BIP1802: Broker 'Broker_Name' is in 'starter' mode.
BIP8071: Successful command completion.
```

### Running the `mqsimode` command with the `-o` parameter, but without the `-b` parameter

When you run the `mqsimode` command with the `-o` parameter but without the `-b` parameter, the mode is set for all of the brokers in the domain, and you receive a report about any errors. For example, if you run the following `mqsimode` command to change your brokers to the Remote Adapter Deployment mode and your brokers are in the following state:

- *Broker\_Name1* to *Broker\_Name8* are the names of your brokers.
- *Message\_Flow* is the name of your message flow.
- *Execution\_Group* is the name of your execution group.
- Brokers *Broker\_Name1* to *Broker\_Name8* have been changed to the Remote Adapter Deployment mode, but broker *Broker\_Name6* contains a node *Node\_Type* that is not valid in this mode.

```
mqsimode -i localhost -p 1414 -q WBRK61_DEFAULT_QUEUE_MANAGER -o adapter
```

You receive the following messages:

```
BIP1044: Connecting to the Configuration Manager's queue manager...
BIP1045: Connecting to the Configuration Manager...
BIP1805: The mode for broker 'Broker_Name1' has been changed to 'adapter'.
BIP1805: The mode for broker 'Broker_Name2' has been changed to 'adapter'.
BIP1805: The mode for broker 'Broker_Name3' has been changed to 'adapter'.
BIP1805: The mode for broker 'Broker_Name4' has been changed to 'adapter'.
BIP1805: The mode for broker 'Broker_Name5' has been changed to 'adapter'.
BIP1805: The mode for broker 'Broker_Name6' has been changed to 'adapter'.
BIP1823: WARNING: Broker 'Broker_Name6' has a message flow called 'Message_Flow'
in execution group 'Execution_Group', which contains one or more nodes that are not
valid in this mode: Node_Type.
BIP1805: The mode for broker 'Broker_Name7' has been changed to 'adapter'.
BIP1805: The mode for broker 'Broker_Name8' has been changed to 'adapter'.
BIP8229: The command completed with the following number of warnings: 1.
```

### Running the `-o` parameter against a broker that is running a version before V6.1

When you run the `-o` parameter against a broker that is running a version before V6.1 you receive a report with an appropriate message. For example, where *Broker\_Name* is the name of your broker:

```

BIP1044: Connecting to the Configuration Manager's queue manager...
BIP1045: Connecting to the Configuration Manager...
BIP1808: Broker 'Broker_Name' is not at the required software level to
change the operation mode.
BIP8229: The command completed with the following number of warnings: 1.

```

### Running the mqsimode command without the -o and -b parameters

When you run the mqsimode command without the **-o** and **-b** parameters, you receive reports about the modes in use in a given domain and any mode violations. For example, if you run the following mqsimode command and your brokers are in the following state:

- *Broker\_Name1* to *Broker\_Name8* are the names of your brokers.
- *Message\_Flow* is the name of your message flow.
- *Execution\_Group* is the name of your execution group.
- Brokers *Broker\_Name1* to *Broker\_Name3* are in Starter Edition mode. Broker *Broker\_Name2* contains too many execution groups for the Starter Edition mode. Broker *Broker\_Name3* contains too many message flows for the Starter Edition mode.
- Brokers *Broker\_Name4* and *Broker\_Name5* are in Trial Edition mode. The trial period for broker *Broker\_Name4* has expired. The trial period for broker *Broker\_Name5* expires on 6th June 2008.
- Brokers *Broker\_Name6* and *Broker\_Name7* are in Remote Adapter Deployment mode. Broker *Broker\_Name6* contains a node *Node\_Type* that is not valid in the Remote Adapter Deployment mode.
- Broker *Broker\_Name8* is in enterprise mode.

```
mqsimode -i localhost -p 1414 -q WBRK61_DEFAULT_QUEUE_MANAGER
```

You receive messages similar to these messages:

```

BIP1044: Connecting to the Configuration Manager's queue manager...
BIP1045: Connecting to the Configuration Manager...
BIP1807: Discovering mode information from broker 'Broker_Name1'...
BIP1802: Broker 'Broker_Name1' is in 'starter' mode.
BIP1807: Discovering mode information from broker 'Broker_Name2'...
BIP1802: Broker 'Broker_Name2' is in 'starter' mode.
BIP1821: WARNING: Broker 'Broker_Name2' is in 'starter' mode but has '3' execution
groups, which exceeds the allowed maximum for this mode.
BIP1807: Discovering mode information from broker 'Broker_Name3'...
BIP1802: Broker 'Broker_Name3' is in 'starter' mode.
BIP1822: WARNING: Broker 'Broker_Name3' is in 'starter' mode but has '17' message
flows deployed, which exceeds the allowed maximum for this mode.
BIP1807: Discovering mode information from broker 'Broker_Name4'...
BIP1824: WARNING: The trial period for broker 'Broker_Name4' expired on '06 May 2008'.
BIP1807: Discovering mode information from broker 'Broker_Name5'...
BIP1803: The trial period for broker 'Broker_Name5' expires on '06 Jun 2008'.
BIP1807: Discovering mode information from broker 'Broker_Name6'....
BIP1802: Broker 'Broker_Name6' is in 'adapter' mode.
BIP1823: WARNING: Broker 'Broker_Name6' has a message flow called 'Message_Flow'
in execution group 'Execution_Group', which contains one or more nodes that are not valid
in this mode: Node_Type.
BIP1807: Discovering mode information from broker 'Broker_Name7'...
BIP1802: Broker 'Broker_Name7' is in 'adapter' mode.
BIP1807: Discovering mode information from broker 'Broker_Name8'...
BIP1802: Broker 'Broker_Name8' is in 'enterprise' mode.
BIP8229: The command completed with the following number of warnings: 4.

```

### Example: Changing the Trial Edition to the full edition:

You want to convert all of your brokers from the Trial Edition mode to the full edition (enterprise mode).

Contact your IBM representative to upgrade your license, and change the brokers that you have created to conform to your new license.

Before, or after, the Trial Edition expires complete the following steps:

1. Open a command prompt.
  - **Linux** On Linux, run the `mqsiprofile` command to initialize the command environment.
  - **Windows** On Windows, click **Start** → **Programs** → **IBM WebSphere Message Brokers 6.1** → **Command Console** to open a command console.
2. Run the following `mqsimode` command:

```
mqsimode -i localhost -p 2414 -q WBRK61_DEFAULT_CONFIGURATION_MANAGER -o enterprise
```

When this command completes successfully, all brokers are made fully functional, but all new brokers are still created in trial mode by default.
3. To ensure that all new brokers start in enterprise mode, uninstall the trial package and reinstall using the full package; see “Moving from Trial Edition” on page 232.

#### **Example: Changing the operation mode of your broker:**

You want to convert from the Starter Edition (starter mode) to the full package (enterprise mode).

Contact your IBM representative to upgrade your license, and change the brokers that you have created to conform to your new license.

1. Open a command prompt.
  - **Linux** On Linux, run the `mqsiprofile` command to initialize the command environment.
  - **Windows** On Windows, click **Start** → **Programs** → **IBM WebSphere Message Brokers 6.1** → **Command Console** to open a command console.
2. Run the following `mqsimode` command to change the mode of your broker from starter to enterprise (where *Broker\_Name* is the name of your broker):

```
mqsimode -i localhost -p 1414 -q WBRK61_DEFAULT_QUEUE_MANAGER -b Broker_Name -o enterprise
```

The following messages are displayed:

```
BIP1044: Connecting to the Configuration Manager's queue manager...
BIP1045: Connecting to the Configuration Manager...
BIP1809: Deploying 'enterprise' mode on broker 'Broker_Name'...
BIP1805: The mode for broker 'Broker_Name' has been changed to 'enterprise'.
```

#### **mqsireadlog command**

Use the `mqsireadlog` command to retrieve trace records for the specified component.

#### **Supported platforms:**

- Windows
- Linux and UNIX systems

- z/OS. Run this command by customizing and submitting BIPRELG; see “Contents of the broker PDSE” on page 640

**Purpose:**

The mqsireadlog command is valid for:

**User trace**

Specify the -u option.

**Service trace**

Specify the -t option. You are recommended to use this option only if directed to do so by the action described in a BIPxxxx message, or by your IBM Support Center.

You can specify the output to be directed to file, or to STDOUT. The trace records returned by this command are in XML format and can be browsed with an XML browser. If you direct output to file, the data is written in code page utf-8. The file is therefore platform-independent, and can be transferred to other systems for browsing or formatting using the mqsiformatlog command.

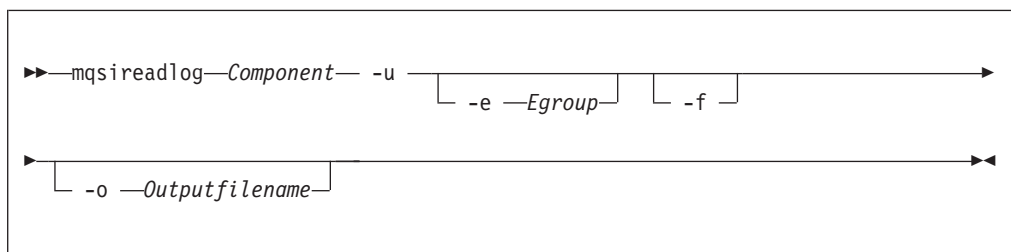
On HP-UX, set the size parameter of the mqsichange trace command to be less than 500 MB because the size of the XML generated files is often half as much again as the original trace file, and setting the value of the size parameter to be greater than 500 MB can cause problems.

If you transfer this file to another system, ensure that you use a file transfer program that does not convert the data (for example, by specifying a binary transfer option).

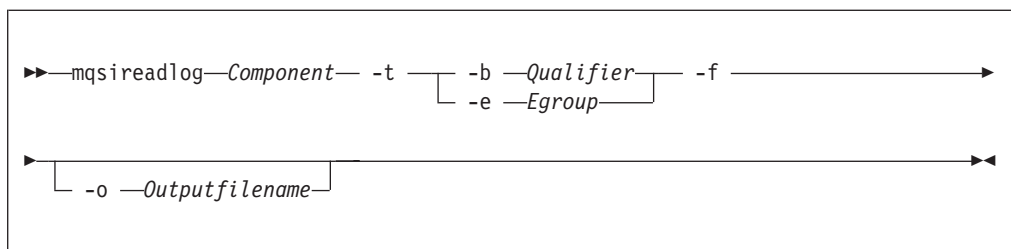
If you specify a broker, or any of its resources (execution group or message flow) you must have deployed them before you can start trace and read the log files.

**Syntax:**

**User trace:**



**Service trace:**



## Parameters common to user trace and service trace:

### *Component*

(Required) The name of the component for which the log is to be read. This can be either a broker name or Configuration Manager name, or the fixed values , UserNameServer, workbench, or utility (all are case sensitive on Linux and UNIX systems and on z/OS).

### **-e** *Egroup*

(Optional) The label of the execution group for which log information is to be read.

### **-o** *Outputfilename*

(Optional) The name of the file into which to write the log data. If you specify a full pathname, the file is created in the directory specified. If you specify just the filename, the file is created in the current working directory. The contents of the file are written in code page utf-8, which is platform-independent and preserves data such as DBCS characters.

You must specify a file name if you want to format the log using the mqsiformatlog command. If you do not specify a filename, the contents of the log are written to stdout. You are recommended to use a file extension of .xml.

### **-f** (Optional for User trace; required for Service trace). Read the log file directly from the file system. If you do not specify this option, the command sends an XML message to the component to request the log contents. If you have specified **-t** (service trace), you must specify this flag as well.

If you specify this option, stop tracing (using mqsichangetrace) before you use the mqsireadlog command. If the log file is in use when you issue this command with this flag specified, partial XML records might be returned. You can reduce the risk of this happening by specifying **-m safe** on the mqsichangetrace command. If the component being traced has itself stopped, you do not then need to issue a mqsichangetrace command.

If you do not stop tracing before you issue this command, check the contents of the log file created and remove any partial records from the end using a text editor before using the mqsiformatlog command, as partial records cannot be read by the format command.

## Additional parameter exclusive to user trace:

### **-u** (Required) Read the log contents from the user trace log. This is valid **only** if you select the broker component.

## Additional parameters exclusive to service trace:

Use these options only when directed to do so by your IBM Support Center or by a BIPxxxx message.

### **-t** (Required) Read the log contents from the service trace log.

### **-b** *Qualifier*

(Required) Read the contents of the log for the broker agent, Configuration Manager agent, or User Name Server agent, or for the specified command utility program. This option is valid only if you have specified **-t** (service trace).

The following table shows the valid combinations of qualifier and component for service trace.

This option is generally used to trace the commands themselves. If you want to trace a particular command, run that command with environment variable MQSI\_UTILITY\_TRACE set to debug or normal before you issue this command to read the trace output generated.

Enter these values exactly as shown.

The agent trace is initiated when you specify the -b flag on the mqsichangetrace command. Do this only when directed to do so by a WebSphere Message Broker error message or when instructed to do so by your IBM Support Center.

The service trace is initiated when you specify the -b flag on the mqsichangetrace command. The format of the command is:

```
mqsireadlog <brokername> -t -b service -f -o service.xml
```

Do this only when directed to do so by a WebSphere Message Broker error message or when instructed to do so by your IBM Support Center.

Qualifier	Component= <i>broker_name</i>	Component= <i>ConfigMgr_name</i>	Component= UserNameServer	Component= workbench	Component= utility
mqsichangebroker	x				
mqsichangeconfigmgr		x			
mqsichangetrace	x	x	x		
mqsichangeusernameserver			x		
mqsiclearmqpubsub	x				
mqsicreateaclentry					x
mqsicreatebroker	x				
mqsicreateconfigmgr		x			
mqsicreateusernameserver			x		
mqsdeleteaclentry					x
mqsdeletebroker	x				
mqsdeleteconfigmgr		x			
mqsdeleteusernameserver			x		
mqsiformatlog <sup>1</sup>					x
mqsijoinmqpubsub		x			
mqsilist <sup>2</sup>		x			x
mqsilist	x				
mqsilistaclentry					x
mqsireadlog	x	x	x		x
mqsireporttrace		x		x	
mqsistart	x	x	x		
mqsistop	x	x	x		
<b>agent</b>	x	x	x		
<b>service</b>	x	x	x		
<b>workbench</b>				x	
<b>httplistener</b>	x				

**Notes:**

1. Because this command does not have a component parameter, trace information is recorded in, and retrieved from, the *utility* component trace files. For further details see the `mqsichangetrace` command.
2. If this command is invoked without a component, trace information is recorded in, and retrieved from, the *utility* trace files in addition to component specific files. For further details see the `mqsichangetrace` command.

**Authorization:**

On Windows Vista and Windows Server 2008 systems, the user ID used to run this command must be running with elevated privileges on the local system:

- The user ID must be a member of the group Administrators.
- The command must be started from an environment that has **Run as Administrator** authority.

If you do not run the command from a privileged environment, you are asked to confirm that you want to continue. When you click **OK**, a new privileged command console is created and the command completed, but all responses are written to the privileged environment and are lost when that console closes when the command completes.

On all Windows platforms, if the `-f` flag is specified, the user ID used to invoke this command must have access to the trace file. If the `-f` flag is not specified, the user ID used to run the command must be a member of the `mqbrkrs` group

On Linux and UNIX platforms, the user ID must be a member of the `mqbrkrs` group. If the `-f` flag is specified, the user ID used to run this command must also have access to the trace file.

**Examples:**

Retrieve the user trace for broker `WBRK_BROKER`:

```
mqsireadlog WBRK_BROKER -u -e default -o trace.xml
```

Retrieve the service trace for component `ConfigMgr`:

```
mqsireadlog ConfigMgr -t -b agent -f -o trace.xml
```

Retrieve service trace for utility `mqsiformatlog`:

```
mqsireadlog utility -t -b agent -f -o trace.xml
```

You can format the log file (`trace.xml` in the above examples) using the command `mqsiformatlog`, or view it using an XML editor or viewer.

**mqsireload command**

Use the `mqsireload` command to request the broker to stop and restart execution groups.

**Supported platforms:**

- Windows
- Linux and UNIX systems
- z/OS - as a console command

**Purpose:**

When you issue this command, a message is sent to the broker, which stops and restarts all its execution groups. You can specify a single execution group to be reloaded, but if you use the default form of this command to reload all execution groups you ensure state and data integrity is preserved.

Because an execution group does not stop until all message flows within it terminates, the ability of the broker to reload quickly depends on the processing time for the longest running message flow. This affects the performance of this command, therefore review any long-running message flows before running this command.

If you have included a user-defined node or parser within a message flow on the broker, these are deleted by this command, and the relevant termination functions called. When message flows are restarted, the resources used by user-defined nodes and parsers are re-accessed and reacquired. However, it is better programming practice to ensure that user-defined nodes and parsers provide their own mechanism to reload persistent state and data dynamically, and do not rely on the use of this command.

Select the appropriate link for details of this command on the platform, or platforms, that your enterprise uses:

- “mqswireload command - Windows, Linux, and UNIX systems”
- “mqswireload command - z/OS” on page 585

**Authorization:**

On Windows Vista and Windows Server 2008 systems, the user ID used to run this command must be running with elevated privileges on the local system:

- The user ID must be a member of the group Administrators.
- The command must be started from an environment that has **Run as Administrator** authority.

If you do not run the command from a privileged environment, you are asked to confirm that you want to continue. When you click **OK**, a new privileged command console is created and the command completed, but all responses are written to the privileged environment and are lost when that console closes when the command completes.

On Windows, Linux, and UNIX systems the user ID used to issue the command must be a member of the group mqbrkr.

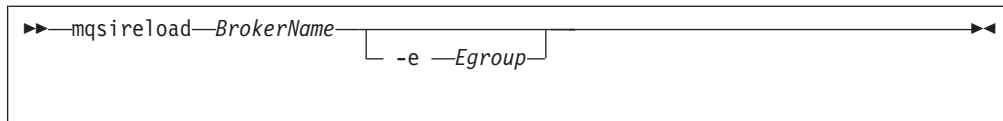
**Responses:**

No additional responses are returned.

**mqswireload command - Windows, Linux, and UNIX systems:**

*Syntax:*





*Parameters:*

*BrokerName*

(Required) The name of the broker to which the reload request is sent.

**-e Egroup**

(Optional) The name of the execution group that is to be reloaded. If this parameter is not specified, all execution groups on the specified broker are stopped and restarted.

*Examples:*

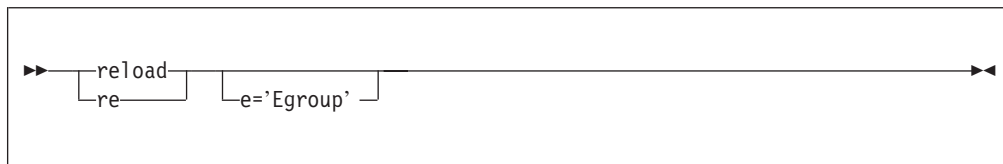
mqsireload broker1

**mqsireload command - z/OS:**

*Syntax:*

*z/OS console command:*

**Synonym: re**



*Parameters:*

**e= Egroup**

(Optional) The name of the execution group that is to be reloaded. If this parameter is not specified, all execution groups on the specified broker are stopped and restarted.

*Examples:*

F MQP1BRK, re e='EgName'

**mqsireloadsecurity command**

Use the mqsireloadsecurity command to force the immediate expiry of some or all of the entries in the security cache.

**Supported platforms:**

- Windows
- Linux and UNIX systems
- z/OS. You can also run this command by customizing and submitting BIPRLSEC; see “Contents of the Configuration Manager PDSE” on page 643.

**Purpose:**

Entries in the security cache are valid for a specified length of time, after which the entries are marked as 'expired'. When an entry is marked as expired it must be re-authenticated with the security provider before it can be reused and its expiry time reset. If re-authentication fails, the entry remains marked as expired. Any entries in the security cache marked as expired are removed when the next sweep of the cache is performed.

Use the `mqsichangeproperties` command to set the time for which entries in the cache are valid, and also the value for the sweep of the security cache. When the entries in the security cache have expired, they must be re-authenticated.

Select the appropriate link for details of this command on the platform, or platforms, that your enterprise uses:

- “`mqsireloadsecurity` command - Windows, Linux, and UNIX systems”
- “`mqsireloadsecurity` command - z/OS” on page 588

**Authorization:**

On Windows XP and Windows Server 2003 systems, the user ID used to run this command must be a member of the group Administrators on the local system.

On Windows Vista and Windows Server 2008 systems, the user ID used to run this command must be running with elevated privileges on the local system:

- The user ID must be a member of the group Administrators.
- The command must be started from an environment that has **Run as Administrator** authority.

If you do not run the command from a privileged environment, you are asked to confirm that you want to continue. When you click **OK**, a new privileged command console is created and the command completed, but all responses are written to the privileged environment and are lost when that console closes when the command completes.

On Linux and UNIX systems, the user ID used to run this command must be a member of the group `mqbrkr`.

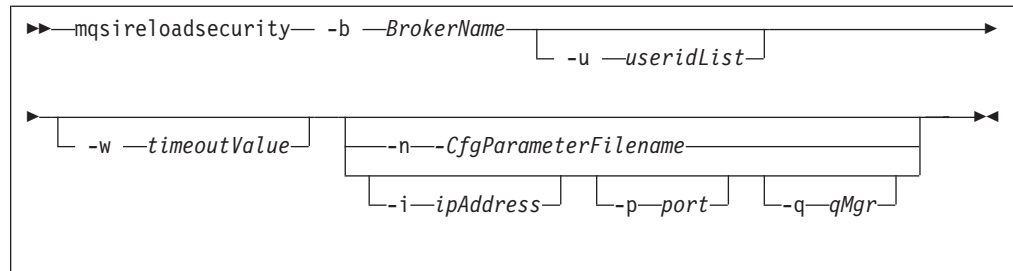
On z/OS, the user ID used to run this command must be a member of a group that has read and write access to the component directory.

**Responses:**

No additional responses are returned.

**`mqsireloadsecurity` command - Windows, Linux, and UNIX systems:**

*Syntax:*



*Parameters:*

*BrokerName*

(Required) The name of the broker to which the request to reload the security cache entries is to be sent. If no other options are selected, all entries in the security cache are reloaded.

**-u** *useridList*

(Optional) This parameter reloads all entries in the security cache for the specified list of users (separated by colons). If this parameter is not specified, all entries in the security cache are reloaded. For cached certificates this is the common name element value.

**-w** *timeoutValue*

(Optional) This parameter specifies the time in seconds that the utility waits for the broker to reply before returning control to the command line.

**-n** *CfgParameterFileName*

(Optional) This parameter specifies the name of a .configmgr file that describes the connection parameters to the Configuration Manager.

The file is in XML, using the .configmgr format that is saved by the workbench; for example:

```
<?xml version="1.0" encoding="UTF-8"?>
<configmgr crlNameList="" domainName="" host="winmvsd0" listenerPort="2206"
queueManager="mq06" securityExit="" securityExitJar="" sslCipherSuite="NONE"
sslDistinguishedNames="" sslKeyStore="" sslTrustStore="" svrconn="SYSTEM.BKR.CONFIG"/>
```

**-i** *ipAddress*

(Optional) This parameter specifies the host name or IP address of the Configuration Manager. If this parameter is not specified, the default value "" is used, which results in a local binding connection.

**-p** *port*

(Optional) This parameter is the port number of the Configuration Manager. If this parameter is not specified, the default value 1414 is used.

**-q** *qMgr*

(Optional) This parameter specifies the name of the WebSphere MQ queue manager that the Configuration Manager is using. If this parameter is not specified, the default value "" is used.

*Examples:*

Reload the cache for all users on the specified broker:

```
mqsireloadsecurity -b a_broker
```

Reload the cache for a single user on the specified broker:

```
mqsireloadsecurity -b a_broker -u user1
```

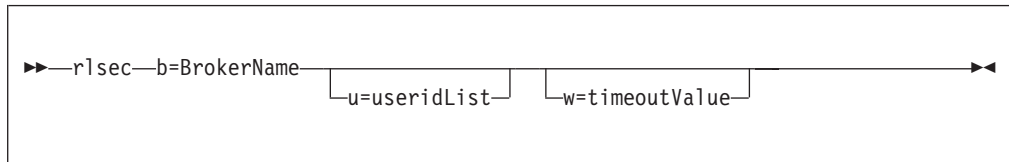
Reload the cache for a list of users on the specified broker, and wait for five seconds before returning:

```
mqsireloadsecurity -b a_broker -u user1:user2:user3 -w 5
```

### **mqsireloadsecurity command - z/OS:**

*Syntax:*

*z/OS console command:*



*Parameters:*

**b=BrokerName**

(Required) The name of the broker to which the reloadsecurity request is sent. If no other options are selected, all entries in the security cache are reloaded.

**u=useridList**

(Optional) Reload all entries in the security cache for the specified list of users (separated by colons). If this parameter is not specified, all entries in the security cache are reloaded. For cached certificates this is the common name element value.

**w=timeoutValue**

(Optional) This parameter specifies the time in seconds that the utility waits for the broker to reply before returning control to the command line.

*Examples:*

Reload the cache for all users on the specified broker:

```
F MQP1BRK, b=r1sec
```

Reload the cache for a single user on the specified broker:

```
F MQP1BRK, b=r1sec u=user1
```

Reload the cache for a list of users on the specified broker and wait for five seconds before returning:

```
F MQP1BRK, b=r1sec u=user1:user2:user3 w=5
```

### **mqsireportflowmonitoring command**

Use the mqsireportflowmonitoring command to display the current options for monitoring that have been set using the mqsichangefflowmonitoring command.

#### **Supported platforms:**

- Windows
- Linux and UNIX systems
- z/OS: Run this command either as a console command, or by customizing and submitting BIPRPME; see “Contents of the broker PDSE” on page 640.

**Purpose:**

Select the appropriate link for details of this command on the platform, or platforms, that your enterprise uses:

- “mqsiportflowmonitoring command - Windows, Linux and UNIX systems”
- “mqsiportflowmonitoring command - z/OS” on page 591

**Authorization:**

On Windows Vista and Windows Server 2008 systems, the user ID used to run this command must be running with elevated privileges on the local system:

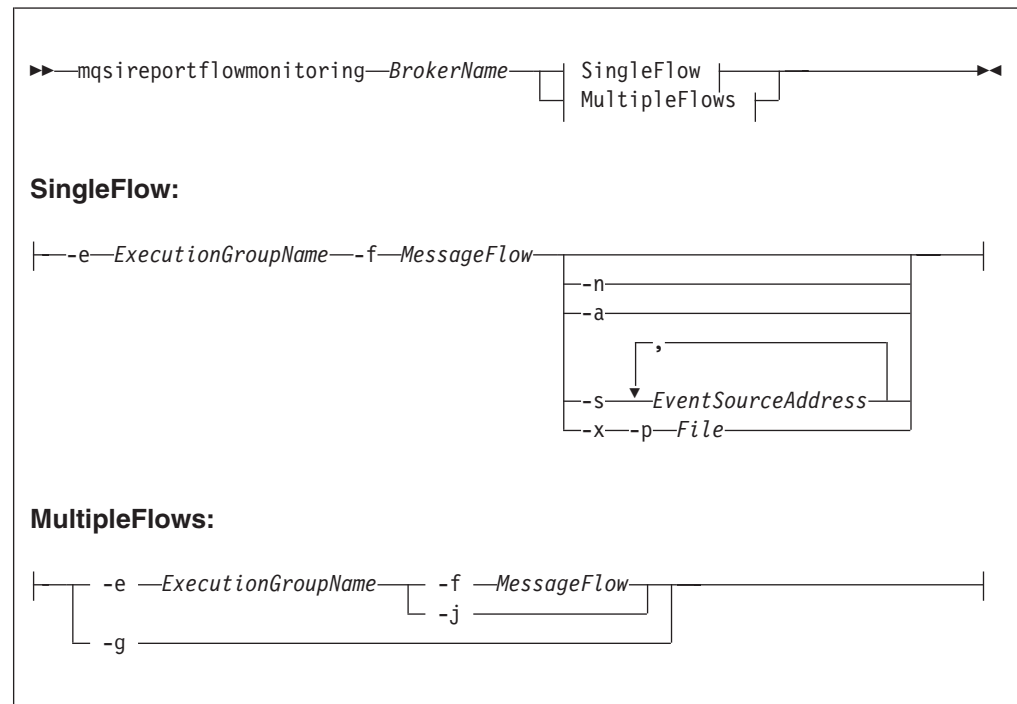
- The user ID must be a member of the group Administrators.
- The command must be started from an environment that has **Run as Administrator** authority.

If you do not run the command from a privileged environment, you are asked to confirm that you want to continue. When you click **OK**, a new privileged command console is created and the command completed, but all responses are written to the privileged environment and are lost when that console closes when the command completes.

On Windows, Linux, and UNIX systems, the user ID used to run this command must be a member of the mqbrkrs group.

**mqsiportflowmonitoring command - Windows, Linux and UNIX systems:**

*Syntax:*



*Parameters:*

*BrokerName*

(Required) Specify the label of the broker, for which monitoring options are to be reported.

- | **-n** (Optional) Report the flow-level monitoring properties and the properties of  
| any configured event sources within the flow.
- | **-a** (Optional) Report the flow-level monitoring properties and the properties of all  
| event sources within the flow, whether configured or not.
- | **-s** *EventSourceAddress*  
| (Optional) Report the flow-level monitoring properties and the properties of  
| the specified event sources within the flow, whether configured or not.  
  
| You must provide a comma-separated list of the event source addresses for  
| which monitoring options are to be reported. An event source address takes  
| the form `<node name>.<event source>`, where `<event source>` is one of the  
| following values:  
| `'terminal.<terminal name>'`  
| `'transaction.Start'`  
| `'transaction.End'`  
| `'transaction.Rollback'`  
  
| If a message flow contains two or more nodes with identical names, the event  
| sources on those nodes cannot be accurately addressed. If this is attempted,  
| behavior is undefined.  
  
| **Note:** `<node name>` is the label of the node as known by the broker runtime  
| components. If the node is in a subflow the label reflects this. For  
| example, flow A contains an instance of flow B as a subflow labeled  
| `'myB'`; flow B contains an instance of a Compute node labeled  
| `'myCompute'`. The `<node name>` for the Compute node is  
| `'myB.myCompute'`.
- | **-x** (Optional; if you specify `-x` you must also specify the `-p` parameter.) Outputs  
| the current monitoring properties for the specified message flow as a  
| monitoring profile XML file.
- | **-p** (Optional unless `-x` is specified.) The file name to which the monitoring profile  
| will be written, in XML format.
- | **-e** *ExecutionGroupName*  
| (Required) Specify the name for the execution group, for which monitoring  
| options are to be reported.  
  
| You must specify either `-e` or `-g`. If you do not specify one of these arguments  
| you receive an error message.
- | **-f** *MessageFlow*  
| (Required) Specify the label for the message flow, for which monitoring  
| options are to be reported.  
  
| You must specify either `-f` or `-j`. If you do not specify one of these arguments  
| you receive an error message.
- | **-g** (Required) Specifies that the command applies to **all** execution groups that  
| belong to the broker.  
  
| You must specify either `-e` or `-g`. If you do not specify one of these arguments  
| you receive an error message.
- | **-j** (Required) Specifies that the command applies to **all** message flows that belong  
| to the execution group.

You must specify either **-f** or **-j**. If you do not specify one of these arguments you receive an error message.

**Note:** If you set the **-g** option for all execution groups, you must use **-j** instead of **-f**.

**Note:**

- If all flags are omitted, only the flow-level properties are reported.
- Flags **-n**, **-a**, **-s** and **-x** can be used only when **-f** is present.
- Flags **-n**, **-a**, **-s** and **-x** are alternatives and cannot be used together.

*Examples:*

Request a report of the monitoring options for message flow "MyFlow1" in the execution group "default" for broker "BrokerA":

```
mqsireportflowmonitoring BrokerA -e default -f MyFlow1
```

Request a report of the current monitoring options for all message flows in all execution groups for broker "BrokerA" :

```
mqsireportflowmonitoring BrokerA -g -j
```

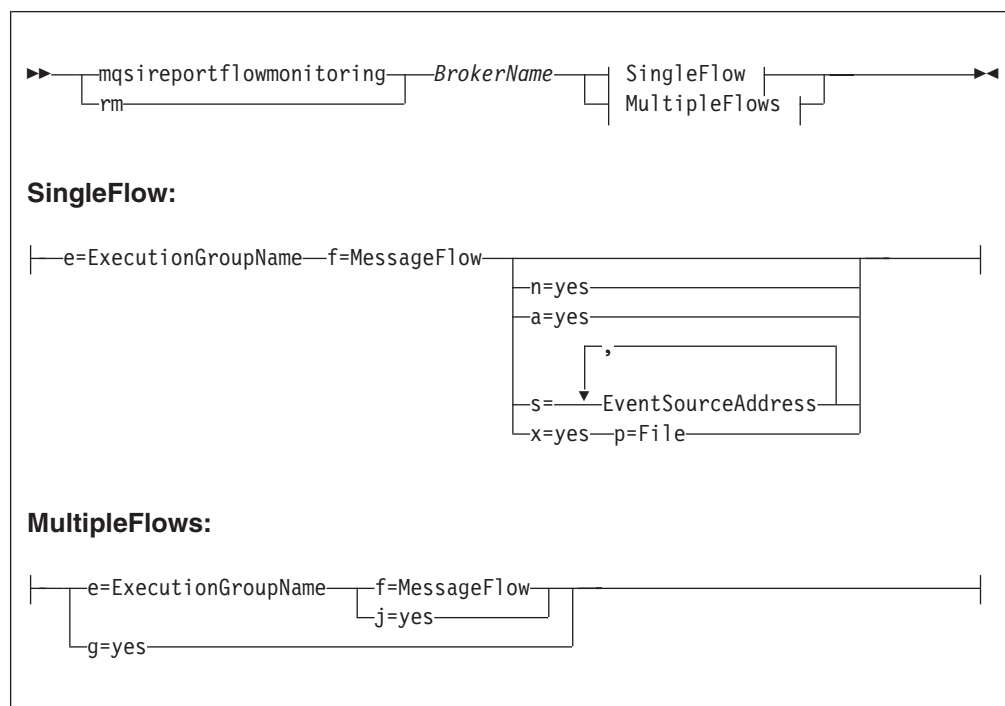
For more examples, see Reporting monitoring settings.

**mqsireportflowmonitoring command - z/OS:**

*Syntax:*

*z/OS console command:*

**Synonym:** rm



*Parameters:*

*BrokerName*

(Required) Specify the label of the broker, for which monitoring options are to be reported.

- n** (Optional) Report the flow-level monitoring properties and the properties of any configured event sources within the flow.
- a** (Optional) Report the flow-level monitoring properties and the properties of all event sources within the flow, whether configured or not.

**s** *EventSourceAddress*

(Optional) Report the flow-level monitoring properties and the properties of the specified event sources within the flow, whether configured or not.

You must provide a comma-separated list of the event source addresses for which monitoring options are to be reported. An event source address takes the form `<node name>.<event source>`, where `<event source>` is one of the following values:

- 'terminal.<terminal name>'
- 'transaction.Start'
- 'transaction.End'
- 'transaction.Rollback'

If a message flow contains two or more nodes with identical names, the event sources on those nodes cannot be accurately addressed. If this is attempted, behavior is undefined.

**Note:** `<node name>` is the label of the node as known by the broker runtime components. If the node is in a subflow the label reflects this. For example, flow A contains an instance of flow B as a subflow labeled 'myB'; flow B contains an instance of a Compute node labeled 'myCompute'. The `<node name>` for the Compute node is 'myB.myCompute'.

- x** (Optional; if you specify `-x` you must also specify the `-p` parameter.) Outputs the current monitoring properties for the specified message flow as a monitoring profile XML file.
- p** (Optional unless `-x` is specified.) The file name to which the monitoring profile will be written, in XML format.

**e** *ExecutionGroupName*

(Required) Specify the name for the execution group, for which monitoring options are to be reported.

You must specify either `-e` or `-g`. If you do not specify one of these arguments you receive an error message.

**f** *MessageFlow*

(Required) Specify the label for the message flow, for which monitoring options are to be reported.

You must specify either `-f` or `-j`. If you do not specify one of these arguments you receive an error message.

- g** (Required) Specifies that the command applies to **all** execution groups that belong to the broker.

You must specify either `-e` or `-g`. If you do not specify one of these arguments you receive an error message.



**j** (Required) Specifies that the command applies to **all** message flows that belong to the execution group.

You must specify either **-f** or **-j**. If you do not specify one of these arguments you receive an error message.

**Note:** If you set the **-g** option for all execution groups, you must use **-j** instead of **-f**.

**s** (Optional) Report the flow-level monitoring properties and the properties of the specified event sources within the flow, whether configured or not.

You must provide a comma-separated list of the event source addresses for which monitoring options are to be reported. An event source address takes the form `<node name>.<event source>`, where `<event source>` is one of the following values:

- 'terminal.<terminal name>'
- 'transaction.Start'
- 'transaction.End'
- 'transaction.Rollback'

If a message flow contains two or more nodes with identical names, the event sources on those nodes cannot be accurately addressed. If this is attempted, behavior is undefined.

**Note:** `<node name>` is the label of the node as known by the broker runtime components. If the node is in a subflow the label reflects this. For example, flow A contains an instance of flow B as a subflow labeled 'myB'; flow B contains an instance of a Compute node labeled 'myCompute'. The `<node name>` for the Compute node is 'myB.myCompute'.

**Note:**

- If all flags are omitted, only the flow-level properties are reported.
- Flags `-n`, `-a`, `-s` and `-x` can be used only when `-f` is present.
- Flags `-n`, `-a`, `-s` and `-x` are alternatives and cannot be used together.

*Examples:*

Request a report of monitoring options for message flow "MFlow1" in the execution group "default":

```
F MI10BRK,rm e='default',f='MFlow1'
```

Request a report of the current monitoring options for all message flows in all execution groups:

```
F MI10BRK,rm g=yes,j=yes
```

For more examples, see Reporting monitoring settings.

### **mqsiereportflowstats command**

Use the `mqsiereportflowstats` command to display the current options for accounting and statistics that have been set using the `mqsiereportflowstats` command.

**Supported platforms:**

- Windows

- Linux and UNIX systems
- z/OS. Run this command in one of two ways - as a console command, or by customizing and submitting BIPRPMS; see “Contents of the broker PDSE” on page 640

**Purpose:**

Select the appropriate link for details of this command on the platform, or platforms, that your enterprise uses:

- “mqsiereportflowstats command - Windows, Linux and UNIX systems”
- “mqsiereportflowstats command - z/OS” on page 595

**Authorization:**

On Windows Vista and Windows Server 2008 systems, the user ID used to run this command must be running with elevated privileges on the local system:

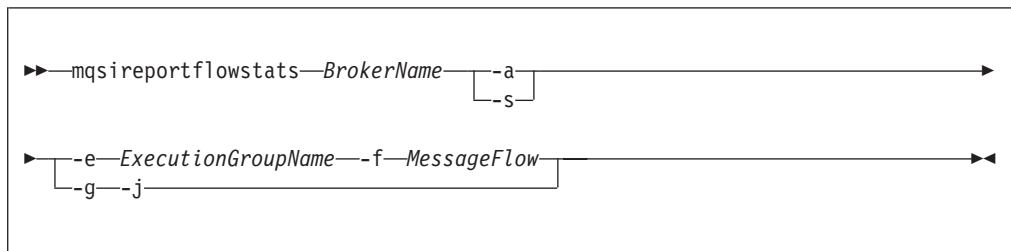
- The user ID must be a member of the group Administrators.
- The command must be started from an environment that has **Run as Administrator** authority.

If you do not run the command from a privileged environment, you are asked to confirm that you want to continue. When you click **OK**, a new privileged command console is created and the command completed, but all responses are written to the privileged environment and are lost when that console closes when the command completes.

On Windows, Linux, and UNIX systems, the user ID used to run this command must be a member of the mqbrkrs group.

**mqsiereportflowstats command - Windows, Linux and UNIX systems:**

*Syntax:*



*Parameters:*

*BrokerName*

(Required) Specify the label of the broker for which the previously stored accounting and statistics options are to be reported.

**-a** (Required) Specify that the command reports the stored settings for the archive accounting and statistics collection.

You must specify **-a** or **-s**, or both arguments. If you do not specify at least one of these arguments you receive a warning message.

**-s** (Required) Specify that the command reports the stored settings for the snapshot accounting and statistics collection.

You must specify **-a** or **-s**, or both arguments. If you do not specify at least one of these arguments you receive a warning message.

**-e** *ExecutionGroupName*

(Required) Specify the name for the execution group, for which accounting and statistics options are to be reported.

You must specify either **-e** or **-g**. If you do not specify one of these arguments you receive a warning message.

**-f** *MessageFlow*

(Required) Specify the label for the message flow, for which accounting and statistics options are to be reported.

You must specify either **-f** or **-j**. If you do not specify one of these arguments you receive a warning message.

**-g** (Required) Specifies that the command applies to **all** execution groups that belong to the broker.

You must specify either **-e** or **-g**. If you do not specify one of these arguments you receive a warning message.

**-j** (Required) Specifies that the command applies to **all** message flows that belong to the execution group.

You must specify either **-f** or **-j**. If you do not specify one of these arguments you receive a warning message.

**Note:** If you set the **-g** option for all execution groups, you must use **-j** instead of **-f**.

*Examples:*

Request a report for message flow "MyFlow1" in the execution group "default" for broker "BrokerA" for both archive and snapshot statistics collection:

```
mqsireportflowstats BrokerA -s -a -e default -f MyFlow1
```

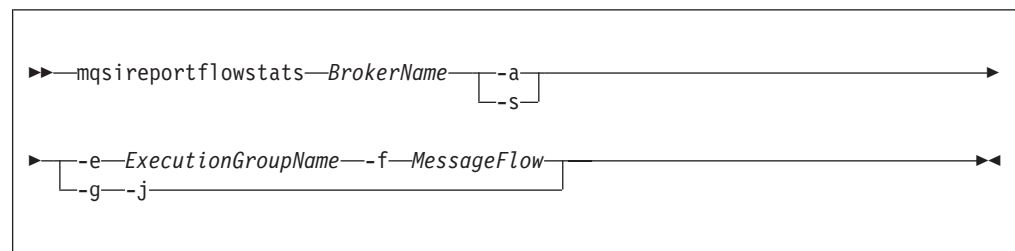
Request a report of the snapshot options that are currently stored for all message flows in all execution groups for broker "BrokerA" :

```
mqsireportflowstats BrokerA -s -g -j
```

**mqsireportflowstats command - z/OS:**

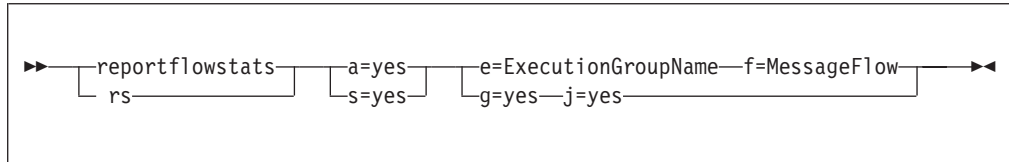
*Syntax:*

*z/OS command - BIPRPMS:*



*z/OS console command:*

**Synonym:** rs



*Parameters:*

*BrokerName*

(Required) Specify the label of the broker for which the previously stored accounting and statistics options are to be reported.

**-a** (Required) Specify that the command reports the stored settings for the archive accounting and statistics collection.

You must specify **-a** or **-s**, or both arguments. If you do not specify at least one of these arguments you receive a warning message.

**-s** (Required) Specify that the command reports the stored settings for the snapshot accounting and statistics collection.

You must specify **-a** or **-s**, or both arguments. If you do not specify at least one of these arguments you receive a warning message.

**-e** *ExecutionGroupName*

(Required) Specify the name for the execution group, for which accounting and statistics options are to be reported.

You must specify either **-e** or **-g**. If you do not specify one of these arguments you receive a warning message.

**-f** *MessageFlow*

(Required) Specify the label for the message flow, for which accounting and statistics options are to be reported.

You must specify either **-f** or **-j**. If you do not specify one of these arguments you receive a warning message.

**-g** (Required) Specifies that the command applies to **all** execution groups that belong to the broker.

You must specify either **-e** or **-g**. If you do not specify one of these arguments you receive a warning message.

**-j** (Required) Specifies that the command applies to **all** message flows that belong to the execution group.

You must specify either **-f** or **-j**. If you do not specify one of these arguments you receive a warning message.

**Note:** If you set the **-g** option for all execution groups, you must use **-j** instead of **-f**.

*Examples:*

Using the command BIPRPMS:

- Request a report for message flow "MyFlow1" in the execution group "default" for both archive and snapshot statistics collection:

```
mqsireportflowstats BrokerA -s -a -e default -f MyFlow1
```

- Request a report of the snapshot options that are currently stored for all message flows in all execution groups:

```
mqsireportflowstats BrokerA -s -g -j
```

Using the console form of the command, request a report for message flow "MyFlow1" in the execution group "default" for both archive and snapshot statistics collection:

```
mqsireportflowstats s= a= e=default f=MyFlow1
```

## **mqsireportflowuserexits command**

Use the `mqsireportflowuserexits` command to report the list of active and inactive user exits for a given message flow.

### **Supported platforms:**

- Windows
- Linux and UNIX systems
- z/OS. Run this command in one of two ways - as a console command, or by customizing and submitting BIPRPUE; see "Contents of the broker PDSE" on page 640

### **Purpose:**

Select the appropriate link for details of this command on the platform, or platforms, that your enterprise uses:

- "[mqsireportflowuserexits command - Windows, Linux, and UNIX systems](#)"
- "[mqsireportflowuserexits command - z/OS](#)" on page 598

### **Authorization:**

On Windows Vista and Windows Server 2008 systems, the user ID used to run this command must be running with elevated privileges on the local system:

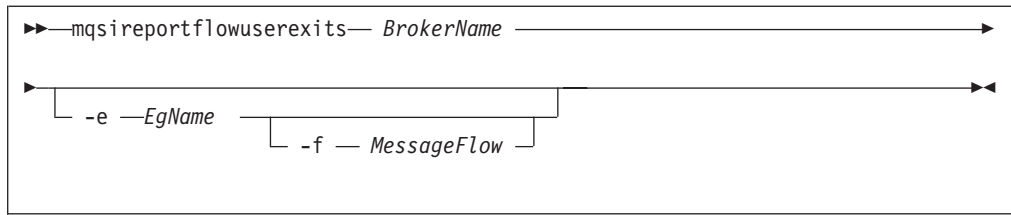
- The user ID must be a member of the group Administrators.
- The command must be started from an environment that has **Run as Administrator** authority.

If you do not run the command from a privileged environment, you are asked to confirm that you want to continue. When you click **OK**, a new privileged command console is created and the command completed, but all responses are written to the privileged environment and are lost when that console closes when the command completes.

On Windows, Linux, and UNIX systems, the user ID used to run this command must be a member of the `mqbrkrs` group.

### **mqsireportflowuserexits command - Windows, Linux, and UNIX systems:**

*Syntax:*



*Parameters:*

*BrokerName*

(Required). The name of the broker.

**-e** *EgName*

(Optional). The name of the execution group.

**-f** *MessageFlow*

(Optional). The name of the message flow.

*Examples:*

```
mqsiereportflowuserexits WBRK_BROKER -e default -f MYFLOW
```

```
BIP8859 User Exits active for broker MYBROKER: exit1, exit2
```

```
BIP8854 User Exits active for Execution Group default: exit1,exit3
```

```
BIP8855 User Exits inactive for Execution Group default: exit2
```

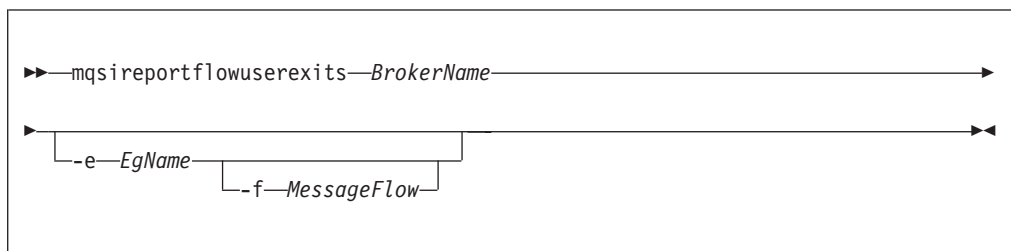
```
BIP8856 User Exits active for Message Flow MYFLOW: exit2
```

```
BIP8857 User Exits inactive for Message Flow MYFLOW: exit1
```

**mqsiereportflowuserexits command - z/OS:**

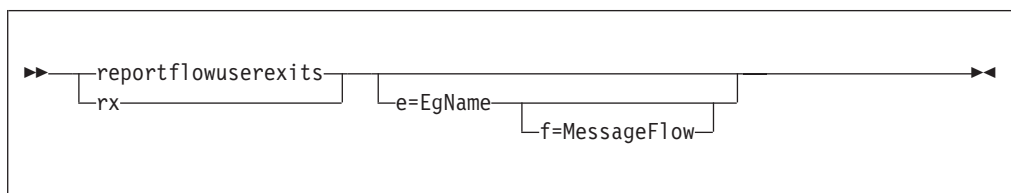
*Syntax:*

*z/OS command - BIPRPUE:*



*z/OS console command:*

**Synonym:** rx



*Parameters:*

*BrokerName*

(Required). The name of the broker.

**-e** *EgName*

(Optional). The name of the execution group.

**-f** *MessageFlow*

(Optional). The name of the message flow.

*Examples:*

```
mqsiportflowuserexits WBRK_BROKER -e default -f MYFLOW
BIP8859 User Exits active for broker MYBROKER: exit1, exit2
BIP8854 User Exits active for Execution Group default: exit1,exit3
BIP8855 User Exits inactive for Execution Group default: exit2
BIP8856 User Exits active for Message Flow MYFLOW: exit2
BIP8857 User Exits inactive for Message Flow MYFLOW: exit1
```

## mqsiportproperties command

Use the `mqsiportproperties` command to display properties that relate to a broker or its associated configurable services.

### Supported platforms:

- Windows
- Linux and UNIX systems
- z/OS. Run this command by customizing and submitting BIPRPPR; see “Contents of the broker PDSE” on page 640.

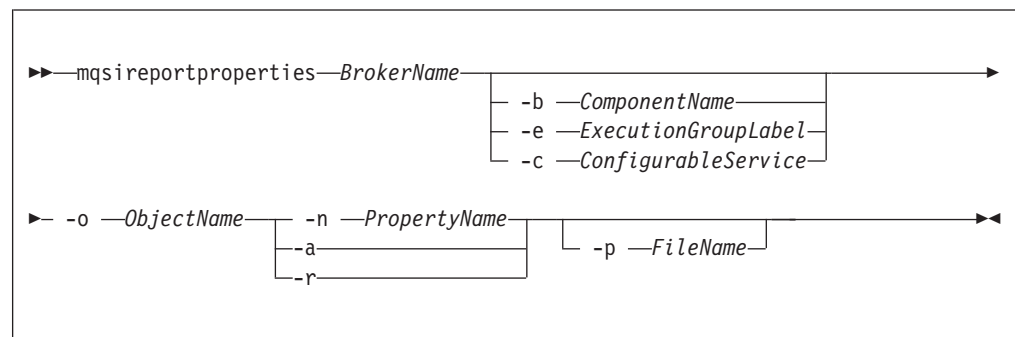
### Purpose:

Use the `mqsiportproperties` command to examine the values of properties or broke resources that are set by using the `mqsichangeproperties` command, or created by using the `mqsicreateconfigurableService` command.

### Usage notes:

- Before you run the `mqsiportproperties` command, ensure that the broker is running.
- If you use the `mqsichangeproperties` command to change any value, stop and restart the broker for the change to take effect.

### Syntax:



### Parameters:

*BrokerName*

(Required) The name of the broker.

**-b** *ComponentName*

(Optional) The name of the component selected. Valid values are *httplistener* and *securitycache*.

**-c** *ConfigurableService*

(Optional) The type of the configurable service, such as *JMSProviders*, *EISProviders*, *JDBCProviders*, *SecurityProfiles*, *PolicySets*, *PolicySetBindings*, *TCPIPServer*, *TCPIPClient*, or *FtpServer*. Specify a value of *AllTypes* to report on all configurable service types.

For a list of supplied configurable services, and their properties and values, see “Configurable services properties” on page 438.

**-e** *ExecutionGroupLabel*

(Optional) The label of the execution group for which a report is required.

You can specify the special name *AllExecutionGroups* if you also specify either *HTTPConnector* or *HTTPSConnector*. This option returns broker-wide settings that affect SOAP nodes deployed to all execution groups for these objects.

**-o** *ObjectName*

(Required) The name of the object whose properties you want to read.

You must also specify **-b**, **-e**, or **-c** after **-o**, except if you specify the object name *BrokerRegistry*.

Set *ObjectName* to match other parameters:

- Specify *BrokerRegistry* for broker registry parameters.
- Specify the name of a configurable service, predefined or user-defined, of a type that you have specified with **-c**.

For example:

- **-c EISProviders** with SAP, Siebel, or PeopleSoft for a predefined WebSphere Adapters configurable service.
- **-c JMSProviders** with the name of a predefined or user-defined service, for example, *WebSphere\_MQ*.
- **-c SecurityProfiles** with the name of a predefined or user-defined service, for example, *Default Propagation*.
- Specify a communications object for the execution group that you have specified with **-e**; one of *HTTPListener*, *HTTPConnector*, or *HTTPSConnector*. Values are defined for all SOAP nodes that you have deployed to the specified execution group.
- Specify a communications object for the *httplistener* component that you have specified with **-b**; one of *HTTPListener*, *HTTPConnector*, or *HTTPSConnector*. Values are defined for all HTTP nodes that you have deployed to the broker.
- Specify *DynamicSubscriptionEngine* for inter-broker communications properties for the execution group that you have specified with **-e**. These properties apply to brokers that you have configured in collectives, or cloned.
- Specify *DynamicSubscriptionEngine* for all Real-time nodes that you have deployed to the execution group that you have specified with **-e**.
- Specify *SecurityCache* for properties for the *securitycache* component that you have specified with **-b**.



Specify a value of `AllReportableEntityNames` to return a list of all valid object names. If you run the `mqsireportproperties` command on the command line without any properties, the `AllReportableEntityNames` is used.

**-n** *PropertyName*

(Optional) Display only the named property.

You must select only one option from **-n**, **-a**, and **-r**.

**-a** (Optional) Indicates that all property values of the object are displayed, and does not act in a recursive manner on properties that have child values.

**-r** (Optional) Indicates that all property values of the object are displayed and, additionally, displays the child values for all properties that have child values.

**-p** *FileName*

(Optional) The location and name of the file to which the command writes all selected properties. If you do not specify **-n**, the property values, but not the property names, are written.

For more information about objects, properties, and values, and valid combinations of these parameters, see “`mqsichangeproperties` command” on page 432.

For the *httplistener* component, the `mqsireportproperties` command does not report those properties that have not been explicitly set with the `mqsichangeproperties` command, even if those properties have a default setting.

For example, the default `HTTPSCconnector` port that is used (unless it has been changed) is 7083. However, this value is not reported by `mqsireportproperties` unless you have changed it from this default with `mqsichangeproperties`. To see the default values for all properties that `mqsireportproperties` can report, see the `mqsichangeproperties` command description.

**Authorization:**

On Windows Vista and Windows Server 2008 systems, the user ID used to run this command must be running with elevated privileges on the local system:

- The user ID must be a member of the group Administrators.
- The command must be started from an environment that has **Run as Administrator** authority.

If you do not run the command from a privileged environment, you are asked to confirm that you want to continue. When you click **OK**, a new privileged command console is created and the command completed, but all responses are written to the privileged environment and are lost when that console closes when the command completes.

On other platforms, no specific authority is required to run this command.

**Responses:**

Responses are of the form:

- `HTTPConnector`
  - `PortNumber` = 7800
- `HTTPSCconnector`
  - `PortNumber` = 7843

## Examples:

Always enter the command on a single line; in some examples, a line break has been added to enhance readability.

### Displaying properties associated with broker components

The following examples include the **-b** parameter to specify the component to view.

- Display all the current HTTPListener settings associated with HTTP nodes (defined in the httplistener component):  

```
mqsireportproperties TEST -b httplistener -o HTTPListener -a
```
- Display the HTTPSConnector port setting for the HTTP nodes (defined in the httplistener component):  

```
mqsireportproperties TEST -b httplistener -o HTTPSConnector -n port
```

### Displaying properties associated with execution groups

The following example includes the **-e** parameter to specify the execution group to view.

- Display recursively all the current settings for the interbroker communication:  

```
mqsireportproperties TEST -e default -o DynamicSubscriptionEngine -r
```

### Displaying properties associated with configurable services

The following examples include the **-c** parameter to specify the configurable service to view.

- Display the properties for all the broker's JMS provider resources (default JMS provider resources and those configurable services that you have defined by using the mqsicreateconfigurable service command):  

```
mqsireportproperties WBRK6_DEFAULT_BROKER -c JMSProviders  
-o AllReportableEntityNames -r
```
- Display the properties for all the JMS provider resources of WebSphere MQ.  

```
mqsireportproperties WBRK6_DEFAULT_BROKER -c JMSProviders  
-o WebSphere_MQ -r
```
- Display the properties for all the broker's JMS provider resources (default JMS provider resources and those configurable services that you have defined with the mqsicreateconfigurable service command):

```
mqsireportproperties WBRK6_DEFAULT_BROKER -c JMSProviders  
-o BEA_WebLogic -r
```

The result of this command has the following format:

```
ReportableEntityName=''  
JMSProviders  
  BEA_Weblogic=''  
    jarsURL='default_Path'  
    nativeLibs='default_Path'  
    proprietaryAPIAttr1='weblogic.jndi.WLInitialContextFactory'  
    proprietaryAPIAttr2='t3://9.20.94.16:7001'  
    proprietaryAPIAttr3='BEAServerName'  
    proprietaryAPIAttr4='default_none'  
    proprietaryAPIAttr5='default_none' proprietaryAPIHandler='BEAWebLogicAPIHandler.jar'
```

- Display the properties for all the broker's security profiles (default security profiles and any that you have defined by using the mqsicreateconfigurable service command).

```
mqsireportproperties WBRK_6_DEFAULT_BROKER -c SecurityProfiles
-o AllReportableEntityNames -r
```

The result of this command has the following format:

```
ReportableEntityName=''
SecurityProfiles

Default_Propagation=''
Authentication = 'NONE'
AuthenticationConfig = ''
Mapping = 'NONE'
MappingConfig = ''
Authorization = 'NONE'
AuthorizationConfig = ''
Propagation = 'TRUE'
passwordValue = 'PLAIN'
```

- Display the properties for the security profile called MyFirstSecurityProfile:

```
mqsireportproperties WBRK_6_DEFAULT_BROKER -c SecurityProfiles
-o MyFirstSecurityProfile -r
```

The result of this command has the following format:

```
ReportableEntityName=''
SecurityProfiles
MyFirstSecurityProfile=''
Authentication = 'LDAP'
AuthenticationConfig = 'ldap://localhost:389/ou=users,o=ibm'
Mapping = 'TFIM'
MappingConfig = 'http://tfimhost1:80'
Authorization = 'NONE'
AuthorizationConfig = ''
Propagation = 'TRUE'
passwordValue = 'PLAIN'
```

- Display all policy sets for broker WBRK\_BROKER:

```
mqsireportproperties WBRK_BROKER -c PolicySets
-o AllReportableEntityNames -a
```

- Display all policy set bindings for broker WBRK\_BROKER:

```
mqsireportproperties WBRK_BROKER -c PolicySetBindings
-o AllReportableEntityNames -a
```

- Export policy set Policy\_2 in broker WBRK\_BROKER to file policyset.xml:

```
mqsireportproperties WBRK_BROKER -c PolicySets
-o Policy_2 -n ws-security -p policyset.xml
```

You can use the output file to move policy sets between brokers, and for backup.

- Export a policy set bindings from a broker to a file:

```
mqsireportproperties WBRK_BROKER -c PolicySetBindings
-o Bindings_2 -n ws-security -p bindings.xml
```

This command writes the Policy Set Bindings file Bindings\_2 in broker WBRK\_BROKER to file bindings.xml. You can use this file to move policy set bindings between brokers, and for backup.

- Report the dependencies for the WebSphere Adapter for SAP:

```
mqsireportproperties WBRK_BROKER -c EISProviders -o SAP -r
```

- Report the properties of the Oracle JDBCProvider configurable service:

```
mqsireportproperties WBRK_BROKER -c JDBCProviders -o Oracle -r
```

- Display all TCPIPServer configurable services:

```
mqsireportproperties WBRK6_DEFAULT_BROKER -c TCPIPServer
-o AllReportableEntityNames -r
```

- Display all TCPIPclient configurable services:

```
mqsiereportproperties WBRK6_DEFAULT_BROKER -c TCPIPClient
-o AllReportableEntityNames -r
```

- Display the current status of the WebSphere Message Broker publish/subscribe engine:

```
mqsiereportproperties WBRK61_DEFAULT_BROKER -c PublishSubscribe
-o AllReportableEntityNames -r
```

If the `psmode` returned has the value `enabled`, the broker's publish/subscribe engine is enabled and the broker handles all publish/subscribe application messages and operations. If the value returned is `disabled`, the queue manager's publish/subscribe engine is handling all application publications and subscriptions. You can disable the broker's publish/subscribe engine only if you have installed WebSphere MQ Version 7.0 on this computer.

- Display all SAPConnection configurable services:

```
mqsiereportproperties WBRK61_DEFAULT_BROKER -c SAPConnection -o AllReportableEntityNames -r
```

- Display all IMSConnect configurable services:

```
mqsiereportproperties WBRK61_DEFAULT_BROKER -c IMSConnect -o AllReportableEntityNames -r
```

## mqsiereporttrace command

Use the `mqsiereporttrace` command to display the trace options currently in effect.

### Supported platforms:

- Windows
- Linux and UNIX systems
- z/OS as a console command

### Purpose:

The `mqsiereporttrace` command is valid for the following options:

- User trace. Specify the `-u` option.  
On z/OS, user trace is run against a specific execution group for a broker. You can specify an extra flag on the command to trace a specific message flow.
- Service trace. Specify the `-t` option. Use this option only if directed to do so by the action described in a BIPxxxx message, or by your IBM Support Center.  
On z/OS, service trace can be run for a specific execution group (like user trace). You can specify an extra flag on the command to trace a specific message flow.  
Unlike user trace, service trace can also be run against an active agent (that is, a broker, User Name Server, or Configuration Manager).
- Trace nodes. Specify the `-n` option.

If you specify a broker, or any of its resources (execution group or message flow), you must have deployed those resources and the component must be running before you can query trace settings.

Select the appropriate link for details of this command on the platform, or platforms, that your enterprise uses:

- “`mqsiereporttrace` command - Windows, Linux and UNIX systems” on page 605
- “`mqsiereporttrace` command - z/OS” on page 606

### Authorization:

On Windows Vista and Windows Server 2008 systems, the user ID used to run this command must be running with elevated privileges on the local system:

- The user ID must be a member of the group Administrators.
- The command must be started from an environment that has **Run as Administrator** authority.

If you do not run the command from a privileged environment, you are asked to confirm that you want to continue. When you click **OK**, a new privileged command console is created and the command completed, but all responses are written to the privileged environment and are lost when that console closes when the command completes.

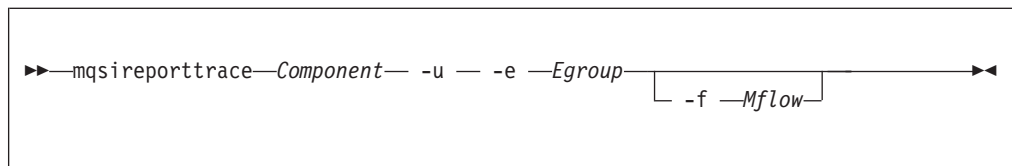
On Windows, Linux, and UNIX systems, the user ID that is used to run this command must be a member of the mqbrkrs group.

### **mqsiporttrace command - Windows, Linux and UNIX systems:**

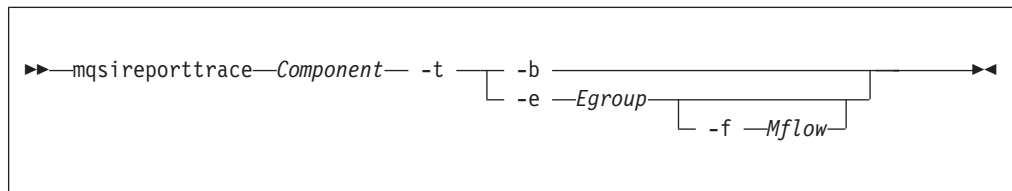
Use the **mqsiporttrace** command to display the trace options currently in effect.

*Syntax:*

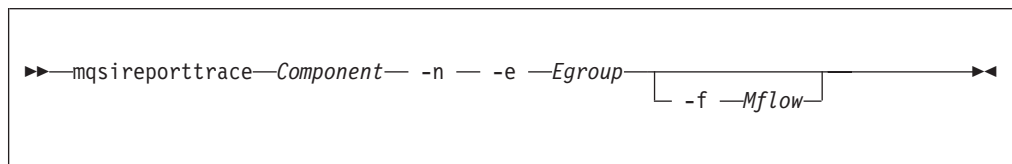
*User trace:*



*Service trace:*



*Trace nodes:*



*Parameters:*

*Component*

(Required) The name of a broker, or of a Configuration Manager, for which options are reported, or the fixed value `UserNameServer` (all are case sensitive on Linux and UNIX systems).

**-u** (Required for user trace) Derive report information from the user trace.

**-e Egroup**  
(Required for user trace, otherwise optional) The label of the execution group for which a report is required. This is valid only if you have specified a broker as the component.

**-f Mflow**  
(Optional) The label of the message flow for which a report is required. This is valid only if you have specified both a broker as the component and an execution group.

*Additional parameters exclusive to service trace:*

Use these options only when directed to do so by your IBM Support Center or by a BIPxxxx message.

**-t** (Required for service trace) Derive report information from the service trace.

**-b** (Alternative to **-e** on all platforms) Request a report for agent function.

*Additional parameters exclusive to Trace nodes:*

**-n** Report the setting of the Trace node switch. One BIP message is reported for each message flow.

*Examples:*

To report derive report information from service trace for execution group exgrp1 in broker WBRK\_BROKER, enter the command:

```
mqsiporttrace WBRK_BROKER -t -e "exgrp1"
```

To report the setting of the Trace node switch for execution group exgrp1 in broker WBRK\_BROKER, enter the command:

```
mqsiporttrace WBRK_BROKER -n -e "exgrp1"
```

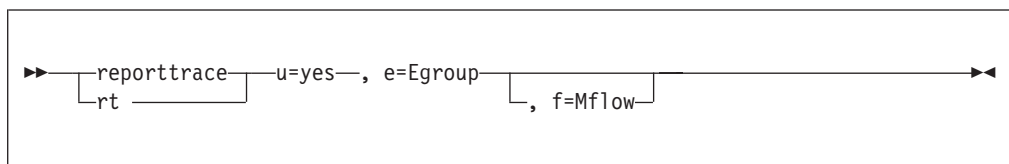
### **mqsiporttrace command - z/OS:**

Use the **mqsiporttrace** command to display the trace options currently in effect.

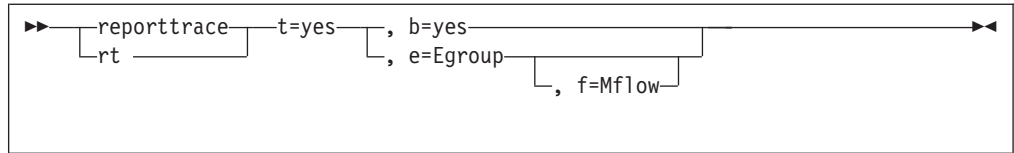
*Syntax:*

*z/OS console command:*

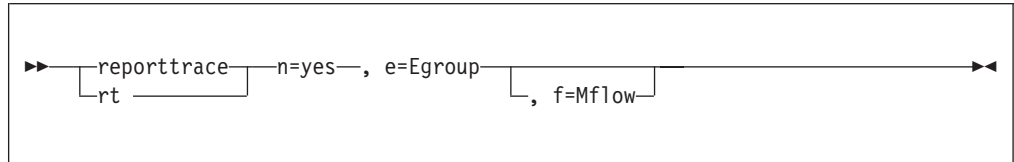
*User trace:*



*Service trace:*



*Trace nodes:*



*Parameters:*

**-u** (Required for user trace) Derive report information from the user trace.

**-e** *Egroup*

(Required for user trace, otherwise optional) The label of the execution group for which a report is required. This is valid only if you have specified a broker as the component.

This name is case sensitive; include the name in single quotes if it contains mixed-case characters.

**-f** *Mflow*

(Optional) The label of the message flow for which a report is required. This is valid only if you have specified both a broker as the component and an execution group.

This name is case sensitive; include the name in single quotes if it contains mixed-case characters.

*Additional parameters exclusive to service trace:*

Use these options only when directed to do so by your IBM Support Center or by a BIPxxxx message.

**-t** (Required for service trace) Derive report information from the service trace.

**-b** (Alternative to **-e** on all platforms) Request a report for agent function.

*Additional parameters exclusive to Trace nodes:*

**n=yes**

Report the setting of the Trace node switch. One BIP message is reported for each message flow.

*Examples:*

To report derive report information from service trace for execution group exgrp1, enter the command:

```
F MQP1BRK,rt t=yes, e='exgrp1'
```

To report the setting of the Trace node switch for execution group exgrp1, enter the command:

```
F MQP1BRK,rt n=yes, e='exgrp1'
```

## mqsirestoreconfigmgr command

Use the mqsirestoreconfigmgr command to restore Configuration Manager archive files that you created by earlier use of the mqsibackupconfigmgr command.

### Supported platforms:

- Windows
- Linux and UNIX systems
- z/OS. Run this command by customizing and submitting BIPRSCM; see “Contents of the Configuration Manager PDSE” on page 643

### Purpose:

You can use the mqsirestoreconfigmgr command to recreate a Configuration Manager from backed up files on the original system on which it existed, or on another system.

### Usage notes:

1. Before you run the command, stop the Configuration Manager.
2. Run this command on the computer on which the Configuration Manager has been created.
3. If you are recovering the Configuration Manager because the configuration repository is damaged, restore the repository from a previously successful backup version.
4. If you plan to restore the Configuration Manager repository on z/OS and the platform from which it was originally backed up was not z/OS, or the other way round, you must copy the saved service.properties file to:

```
<Configuration  
Manager directory>/components/<component name>/<directory name>/service.properties
```

after running the mqsirestoreconfigmgr command.

### Syntax:

```
►► mqsirestoreconfigmgr ConfigMgrName -d ArchiveDirectory ►►  
► -a ArchiveName [ -w WorkPath ] ►►
```

### Parameters:

*ConfigMgrName*

(Required) The name of the Configuration Manager.

**-d** *ArchiveDirectory*

(Required) The directory where the archive is placed.

**-a** *ArchiveName*

(Required) The backup archive name.

**-w** *WorkPath*

(Optional) The path for the Configuration Manager repository.

### Authorization:



On Windows XP and Windows Server 2003 systems, the user ID used to run this command must be a member of the group Administrators on the local system.

On Windows Vista and Windows Server 2008 systems, the user ID used to run this command must be running with elevated privileges on the local system:

- The user ID must be a member of the group Administrators.
- The command must be started from an environment that has **Run as Administrator** authority.

If you do not run the command from a privileged environment, you are asked to confirm that you want to continue. When you click **OK**, a new privileged command console is created and the command completed, but all responses are written to the privileged environment and are lost when that console closes when the command completes.

On Linux and UNIX systems, the user ID must be a member of the group mqbrkrs.

### **mqsisetdbparms command**

Use the mqsisetdbparms command to associate a specific user ID and password with one or more resources in your broker domain.

#### **Supported platforms:**

- Windows
- Linux and UNIX systems
- z/OS. Run this command by customizing and submitting BIPSDBP.

#### **Purpose:**

Use the mqsisetdbparms command to set security credentials for a specific user ID and password for the following resources:

- A data source name (DSN) that is accessed from a message flow.
- A JMS or JNDI resources, for example a JMSProvider configurable service.
- An SMTP configurable service.
- An FtpServer configurable service.
- A JDBCProvider configurable service.
- An IMSConnect configurable service.
- The broker keystore password.
- Lightweight Directory Access Protocol (LDAP) bind credentials for the broker security manager.
- A WebSphere Service Registry and Repository configurable service.
- An account name, with a user name and password, for the adapter nodes.

The user ID and password pair is created in the DSN folder under the broker's registry folder.

This command does not run if the broker is running. You must stop the broker before you run this command.

#### **Syntax:**

#### **Create:**

```

▶▶ mqsisetdbparms BrokerName -n ResourceName -u UserId
▶ -p Password

```

**Alter:**

```

▶▶ mqsisetdbparms BrokerName -n ResourceName -u UserId
▶ -p Password

```

**Delete:**

```

▶▶ mqsisetdbparms BrokerName -n ResourceName -d

```

**Adapter connection:**

```

▶▶ mqsisetdbparms BrokerName -n AdapterName -u EISUserId
▶ -p EISPassword

```

**Parameters:**

*BrokerName*

(Required) The name of the broker for which settings are to be created, altered, or deleted.

**-n** *ResourceName* or *AdapterName*

(Required) This parameter identifies one of the following resources:

- The data source for which the user ID and password pair are to be created or modified.

Data source names are used by the following nodes:

- Compute
- Database
- DatabaseRetrieve
- DatabaseRoute
- DataDelete
- DataInsert
- DataUpdate
- FileInput

- FileOutput
- Filter
- Mapping
- Warehouse

If you use the same DSN in multiple nodes to refer to the same database instance, the same user ID and password combination is used.

The `mqsisetdbparms` command does not apply to the broker database. Although you can issue this command successfully to specify the data source name that is used by the broker to access its database, it has no effect on the user ID that is used to access any database, including any user databases that are referenced by that data source name.

- The name of the security identity that is used to authenticate a connection to a JMS or JNDI resource. The *ResourceName* takes the form `jms::secId` or `jndi::secId`, where `secId` is specified as the value
- The name of the security identity that is used to authenticate an SMTP server.
- The name of the security identity that is used to authenticate a broker keystore.
- The name of the security identity that is used to authenticate an LDAP directory.
- The name of the security identity that is used to authenticate a WSRR configurable service.
- The name of the security identity that is used to authenticate a connection to an FTP server. The *ResourceName* takes the form `ftp::secId`, where `secId` is specified as the value of the Security identity property of the FileInput or FileOutput node, or in the **-n securityIdentity** property of the associated FtpServer configurable service on the `mqsicreateconfigurableservice` or `mqsichangeproperties` command.
- The name of the security identity that is used to authenticate a JDBC type 4 connection. The *ResourceName* takes the form `jdbc::secId`, where `secId` is specified as the value of the **-n securityIdentity** property of the associated JDBCProvider configurable service on the `mqsicreateconfigurableservice` or `mqsichangeproperties` command.
- The name of the Adapter connection to the external EIS.
- The name of the IMS connection. The *ResourceName* takes the form `ims::secId`, where `secId` is the same as the value of the Security identity property on the IMSRequest node or in the **-n securityIdentity** property of the associated IMSConnect configurable service.

**-u** *UserId* or *EISUserId*

(Required for Create and Adapter connection; Optional for Alter) The user ID to be associated with this resource or EIS.

**-p** *Password*

(Required for Create, Alter, and Adapter connection) The password to be associated with this resource or EIS.

For compatibility with existing systems, you can still specify `<password>`.

However, if you do not specify a password with this parameter when you run the command, you are prompted to enter a password during its invocation, and to enter the password a second time to verify that you have entered it correctly.

**-d** (Required for Delete) This parameter deletes the user ID and password pair for this resource from the registry.

#### **Authorization:**

On Windows XP and Windows Server 2003 systems, the user ID used to run this command must be a member of the group Administrators on the local system.

On Windows Vista and Windows Server 2008 systems, the user ID used to run this command must be running with elevated privileges on the local system:

- The user ID must be a member of the group Administrators.
- The command must be started from an environment that has **Run as Administrator** authority.

If you do not run the command from a privileged environment, you are asked to confirm that you want to continue. When you click **OK**, a new privileged command console is created and the command completed, but all responses are written to the privileged environment and are lost when that console closes when the command completes.

On Linux and UNIX systems, the user ID that is used to run this command must be a member of the mqbrkrs group.

On z/OS, the user ID that is used to run this command must be a member of a group that has *READ* and *WRITE* access to the component directory.

Ensure that the registry is appropriately secured to prevent unauthorized access. mqsisetdbparms is not required for correct operation of the broker. However, if the broker administrator does not assign specific user IDs and passwords to specific resources, the broker user ID (and password on Windows and UNIX systems) is used. The password is not stored in clear text in the file system.

#### **Examples:**

##### **Data source names**

The following examples show the usage of the command without the additional Universal Record Identifier (URI):

```
mqsisetdbparms WBRK_BROKER -n MQBroker1 -u MQUserId -p password
mqsisetdbparms WBRK_BROKER -n MQBroker1 -d
```

##### **JMS and JNDI resource names**

The following examples show the use of the command when the URI for a JMS or JNDI resource name is substituted for the ResourceName that is associated with the **-n** parameter.

For a JMS resource, the prefix is "jms::"; for JNDI, the prefix is "jndi::".

On Linux and UNIX systems, if the parameter string includes a back slash (\) character, you must escape from this character by using a second back slash character (\\) when you enter the mqsisetdbparms command.

For example, to specify a user ID of myuserid and password secret for JMS topic connection factory tcf1 in broker MyBroker1, use the following syntax:

```
mqsisetdbparms MyBroker1 -n jms::tcf1 -u myuserid -p secret
```

Similarly, to specify the same security for a JNDI initial context `com.sun.jndi.fscontext.ReffSContextFactory`, enter the following command:

```
mqsisetdbparms MyBroker1 -n jndi::com.sun.jndi.fscontext.ReffSContextFactory  
-u myuserid -p secret
```

### JMS node account names

The preceding examples describe how to configure security for JMS and JNDI resources for *all* JMS nodes that use those resources in a broker.

To increase the degree of control that you have in the security of JMS nodes, you can associate a resource with an account name. The account name itself comprises the message flow name concatenated with the node label by means of the underscore character "\_", that is:

*Message Flow Name\_Node label*

For example, where the message flow name is `MyJMSFlow1`, and you require a specific user ID and password for JMSInput node `MyJMSInput1`, the resulting account name is:

`MyJMSFlow1_MyJMSInput1`

You can then use the account name string in the `ResourceName` option of the `mqsisetdbparms` command by prefixing the account name with the resource type, and concatenating the account name with an at sign (@) character followed by the resource name itself:

*<resource type><account name>@<resource name>*

Therefore, assuming a JMS resource name of `tcf1`, used by JMSInput node `MyJMSInput1` in message flow `MyJMSFlow1`, the following `ResourceName` is used:

`jms::MyJMSFlow1_MyJMSInput1@tcf1`

Specifying a user ID of `myuserid`, a password of `secret`, a broker name of `MyBroker1`, and the `ResourceName` name created from the account name, as described previously, use the following syntax:

```
mqsisetdbparms MyBroker1 -n jms::MyJMSFlow1_MyJMSInput1@tcf1  
-u myuserid -p secret
```

### JDBC type 4 connections

Use the `mqsisetdbparms` command to associate a user ID and password pair with a JDBC type 4 connection. The value that you specify for the **-n ResourceName** must match the value of the **-n securityIdentity** property of the associated JDBCProvider configurable service, with a prefix of `jdbc::...`

```
mqsisetdbparms broker name -n resource_name  
-u userID -p password
```

For example:

```
mqsisetdbparms BROKER1 -n jdbc::mySecurityIdentity -u myuserid -p secretpw
```

### WebSphere Adapters account names

You can use the `mqsisetdbparms` command in the following format to configure an account name with a user name and password for the WebSphere Adapters.

```
mqsisetdbparms broker name -n adapter name -u user name -p password
```

For example:

```
mqsisetdbparms BRK1 -n SAPCustomerInbound.inadapter -u sapuid -p *****  
mqsisetdbparms BRK1 -n TwineballInbound.inadapter -u mqbroker -p *****
```

## IMS connections

Use the `mqsisetdbparms` command in the following format to associate a user ID and password pair with an IMS Connect connection.

```
mqsisetdbparms broker name -n resource_name  
-u userID -p password
```

## mqsisetsecurity command

Use the `mqsisetsecurity` command to create the Windows groups that WebSphere Message Broker requires for secure access to its runtime libraries and data.

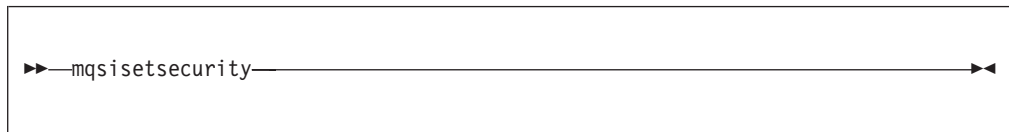
### Supported platforms:

- Windows

### Purpose:

The `mqsisetsecurity` command runs automatically as part of the installation process of WebSphere Message Broker. If WebSphere MQ is installed after WebSphere Message Broker, you can issue this command to add your account to the group `mqm`.

### Syntax:



```
►►—mqsisetsecurity—◄◄
```

### Parameters:

None

### Authorization:

On Windows Vista and Windows Server 2008 systems, the user ID used to run this command must be running with elevated privileges on the local system:

- The user ID must be a member of the group Administrators.
- The command must be started from an environment that has **Run as Administrator** authority.

If you do not run the command from a privileged environment, you are asked to confirm that you want to continue. When you click **OK**, a new privileged command console is created and the command completed, but all responses are written to the privileged environment and are lost when that console closes when the command completes.

On Windows XP and Windows Server 2003, the user ID used to run this command must belong to the Administrators group on the local system.

## **mqsi\_setupdatabase command**

Use the `mqsi_setupdatabase` command to set up database links for an Oracle database from 32-bit execution groups defined to brokers running on the listed Linux and UNIX systems.

### **Supported platforms:**

- AIX
- HP-UX on PA-RISC
- Linux on x86
- Linux on x86-64
- Solaris on SPARC

### **Purpose:**

Use the `mqsi_setupdatabase` command to set up database links for an Oracle database for 32-bit brokers. Do not run this command for 64-bit brokers or for a database from any other supported vendor.

Run the command for both broker and user databases. The command works for a remote database in the same way that it does for a local database.

Run this command after you have installed the Oracle database manager but before you create the broker database. If necessary, though, you can run the command before you install the Oracle database manager if you specify the intended database installation directory correctly.

### **Syntax:**

```
►—mqsi_setupdatabase— Database—Database_Home_Directory—◄
```

### **Parameters:**

#### *Database*

(Required) The database that you are installing. Supported values are:

- oracle9
- oracle10
- oracle11

#### *Database\_Home\_Directory*

(Required) The name of the directory in which the database is (or will be) installed (for example, `/usr/lpp/oracle9`).

### **Authorization:**

The user ID used to run this command must be a member of the `mqbrkr` group.

### **Examples:**

Set up the required links to an Oracle 9 database:

```
mqsi_setupdatabase oracle9 /oracle/product/9i/Db_1
```

Set up the required links to an Oracle 11 database:  
mqsi\_setupdatabase oracle11 /oracle/product/11g/Db\_1

### **mqsisstart command**

Use the mqsisstart command to start the specified component if all initial verification tests complete successfully.

#### **Supported platforms:**

- Windows
- Linux and UNIX systems
- z/OS as a console command.

#### **Purpose:**

The mqsisstart command:

- On distributed systems, starts the associated queue manager if it is not already running.
- If the component is a broker or a Configuration Manager:
  - Checks that the component environment is set up correctly; for example, that the installed level of Java is supported.
  - Verifies that the WebSphere MQ queues are defined and accessible.
  - If the component is a broker, checks that the expected database tables are present.

The command completes all these checks, and reports all errors in the system log, or to the command line, or both. If one or more checks fail, the command does not start the component.

- Starts the component.
- If the component is a broker, and WebSphere MQ Version 7.0 is installed, checks the status of the broker's publish/subscribe engine, and that the setting of the queue manager's publish/subscribe mode (attribute PSMODE) is compatible. The default scenario is that the broker's publish/subscribe engine is enabled, and the queue manager's engine must be disabled. If you have disabled the broker's publish/subscribe engine, the command checks that the queue manager's publish/subscribe engine is enabled. It reports the status of the broker's publish/subscribe engine in the system log.

Select the appropriate link for details of this command on the platform, or platforms, that your enterprise uses:

- "mqsisstart command - Windows, Linux, and UNIX platforms" on page 617
- "mqsisstart command - z/OS" on page 618

#### **Authorization:**

On Windows XP and Windows Server 2003 systems, the user ID used to run this command must be a member of the group Administrators on the local system.

On Windows Vista and Windows Server 2008 systems, the user ID used to run this command must be running with elevated privileges on the local system:

- The user ID must be a member of the group Administrators.
- The command must be started from an environment that has **Run as Administrator** authority.



If you do not run the command from a privileged environment, you are asked to confirm that you want to continue. When you click **OK**, a new privileged command console is created and the command completed, but all responses are written to the privileged environment and are lost when that console closes when the command completes.

On Linux and UNIX systems, the user ID used to invoke this command must either be root, or must be the same as that specified in the `-i` parameter when the component was created. The user ID must also be a member of the `mqbrkr` and `mqm` groups.

When the Windows service or Linux or UNIX daemon starts, it runs under the user ID specified by the `-i` flag on the appropriate `mqsccreatexxxx` command.

On Windows, Linux, and UNIX systems, the component starts only if the *ServiceUserID* specified is authorized to access both the following locations:

- Home directory, where WebSphere Message Broker has been installed.
- Working directory, if specified by the `-w` flag on the `mqsccreatexxxx` command.

The security requirements for using the `mqsisstart` command are summarized in the following topics:

- “Security requirements for Windows platforms” on page 685
- “Security requirements for Linux and UNIX platforms” on page 684

On z/OS, the user ID used to invoke this command must have **UPDATE** authority in class **OPERCMD**S to the `MVS.START.STC.message_broker_component_started_task` resource.

#### **mqsisstart command - Windows, Linux, and UNIX platforms:**

Use `mqsisstart` to start a WebSphere Message Broker component.

##### *Purpose:*

If the queue manager associated with this component (defined in the corresponding create command) is not already running, it is also started by this command. However, no listeners, channels, or channel initiators associated with the started component are started. Use WebSphere MQ Explorer to start any required listeners, channels, or channel initiators.

Successful completion of this command indicates that the Windows service, or Linux or UNIX daemon, has started successfully, and that the component startup has been initiated. Check the Windows system event log or the Linux or UNIX `syslog` to determine if the component and all related software have started successfully, are initially active, and remain in an active state.

Any errors that have prevented successful startup, that are detected by the component, are recorded in the log. Continue to monitor the Windows system event log or Linux or UNIX `syslog`.

On Windows platforms, the queue manager is not started as a service and stops if you log off. To avoid this happening, either remain logged on, or change the startup status of the queue manager service as described in “Creating a Configuration Manager on Windows” on page 192. (If you lock your workstation, the queue manager does not stop).

*Syntax:*

```
mqsisstart—Component
```

*Parameters:*

*Component*

(Required) The component must have a broker name, a Configuration Manager name, or one of the following fixed values:

- **Windows** ConfigMgr, UserNameServer, or DatabaseInstanceMgr on Windows platforms
- **Linux** **UNIX** UserNameServer on Linux and UNIX systems
- **Linux** **UNIX** All of the names are case sensitive on Linux and UNIX systems.

Do not use the `mqsisstop` command on a `DatabaseInstanceMgr` unless you are using the Derby database.

*Responses:*

- BIP8012 Unable to connect to system components
- BIP8013 Component does not exist
- BIP8015 Component cannot be started
- BIP8018 Component running
- BIP8024 Unable to locate executable
- BIP8025 Component disabled
- BIP8026 Unable to start component
- BIP8027 Unable to start WebSphere MQ
- BIP8028 WebSphere MQ unavailable
- BIP8030 Unable to modify user privileges
- BIP8048 Unable to start queue manager
- BIP8056 Unknown queue manager
- BIP8093 Queue manager being created
- BIP8094 Queue manager stopping

*Examples:*

```
mqsisstart WBRK_BROKER
mqsisstart DatabaseInstanceMgr
```

#### **mqsisstart command - z/OS:**

Use the **startcomponent** command to start a WebSphere Message Broker component when its controller (control process) is already running, and the **start (/S)** command to bring a component into a state in which you can run the appropriate **change** command.

*Purpose:*

The following table distinguishes between the **start (/S)** and **startcomponent** commands, and lists the available options:

Component	Command	Description
Broker	/S <Broker started task name> /F <Broker started task name>,SC	Start broker. Starts the broker from a 'stop component' state.
Configuration Manager	/S <Configuration Manager started task name> /F <Configuration Manager started task name>,SC	Start Configuration Manager. Starts the Configuration Manager from a 'stop component' state.
User Name Server	/S <User Name Server started task name> /F <User Name Server started task name>,SC	Start User Name Server. Starts the User Name Server from a 'stop component' state.

When the controller address space is started, this causes the component to start automatically. You can change this behavior by using an optional start parameter in the started task. If you set the parameter to MAN, the component does not start automatically; the default is AUTO.

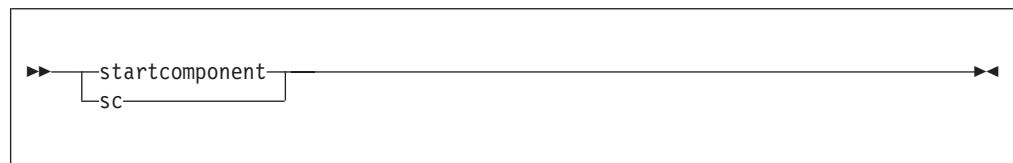
Issuing commands against the controller means issuing start, stop, or modify commands from the console to the controller address space. Two scenarios apply when you use this command:

1. The controller is started with the parameter MAN instead of AUTO.
2. After a **stopcomponent** command, the component has to be restarted.

*Syntax:*

*z/OS console command - startcomponent:*

**Synonym:** sc



*Examples:*

F MQ00BRK,sc

## **mqsistartmsgflowcommand**

Use the mqsistartmsgflow command to start message flows.

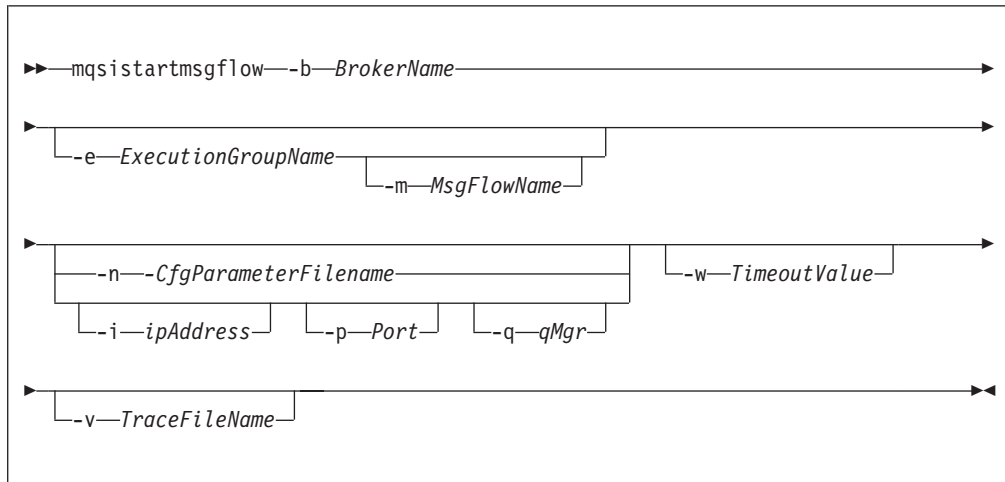
### **Supported platforms:**

- Windows
- Linux and UNIX systems
- z/OS. Run this command by customizing and submitting BIPSTMF; see "Contents of the Configuration Manager PDSE" on page 643

### **Purpose:**

Start a single message flow, or all message flows in an execution group, on a specified broker. You must have previously deployed the message flows to the broker in a BAR file.

**Syntax:**



**Parameters:**

**-b BrokerName**

(Required) The name of the broker on which to start message flows.

If you do not specify the **-e** and **-m** flags, all message flows on the broker are started.

**-e ExecutionGroupName**

(Optional) The name of the execution group on which message flows are started.

**-m MsgFlowName**

(Optional) The name of the message flow being started.

You can specify only one message flow in a single command. However, if you do not specify this parameter, all message flows on the execution group or broker are started.

If you specify this flag you must also specify the **-e** flag.

**-n CfgParameterFileName**

(Optional) This parameter specifies the name of a .configmgr file that describes the connection parameters to the Configuration Manager.

The file is in XML, using the .configmgr format that is saved by the workbench; for example:

```
<?xml version="1.0" encoding="UTF-8"?>
<configmgr crlNameList="" domainName="" host="winmvsd0" listenerPort="2206"
queueManager="mq06" securityExit="" securityExitJar="" sslCipherSuite="NONE"
sslDistinguishedNames="" sslKeyStore="" sslTrustStore="" svrconn="SYSTEM.BKR.CONFIG"/>
```

If you are using this file on z/OS you must remove the statement encoding="UTF-8" from the first line, and remove the value for the host attribute, to leave the statement as:

```
<?xml version="1.0"?>
<configmgr crlNameList="" domainName="" host="" listenerPort="2206"
queueManager="mq06" securityExit="" securityExitJar="" sslCipherSuite="NONE"
sslDistinguishedNames="" sslKeyStore="" sslTrustStore="" svrconn="SYSTEM.BKR.CONFIG"/>
```

**-i** *IpAddress*

(Optional) This parameter specifies the host name or IP address of the Configuration Manager. If this parameter is not specified, the default value "" is used, which results in a local binding connection.

**-p** *Port*

(Optional) This parameter is the port number of the Configuration Manager. If this parameter is not specified, the default value 1414 is used.

**-q** *QMgr*

(Optional) This parameter specifies the name of the WebSphere MQ queue manager that the Configuration Manager is using. If this parameter is not specified, the default value "" is used.

**-w** *TimeoutValue*

(Optional) This parameter is the time in seconds that the utility waits to ensure that the command completed; the default value is 60.

**-v** *TraceFileName*

(Optional) This parameter sends internal debug trace information to the specified file.

**Authorization:**

On Windows Vista and Windows Server 2008 systems, the user ID used to run this command must be running with elevated privileges on the local system:

- The user ID must be a member of the group Administrators.
- The command must be started from an environment that has **Run as Administrator** authority.

If you do not run the command from a privileged environment, you are asked to confirm that you want to continue. When you click **OK**, a new privileged command console is created and the command completed, but all responses are written to the privileged environment and are lost when that console closes when the command completes.

On all platforms, the user ID used to run this command must have sufficient authority defined in the access control list defined to the Configuration Manager. The permissions required are the same as the permission required to do the equivalent function in the Message Broker Toolkit

**Responses:**

This command returns the following responses:

- 0 (Success) States that the request completed successfully and the state of all message flows has been updated.
- 2 (Failure) States that at least one message flow can not be put into the correct state for any reason.
- 98 States that the Configuration Manager cannot be reached.
- 99 States that the supplied arguments to the command are not valid.

**Examples:**

Starts all message flows on broker B1, which is controlled by the Configuration Manager whose connection details are described in `cm1.configmgr`. Control is returned to the caller when all message flows in the broker are reported as started, or the default time of one minute elapses, whichever is sooner.

```
mqsistartmsgflow -n cm1.configmgr -b B1
```

Starts all message flows on broker B1, which is controlled by the Configuration Manager whose connection details are described in `cm1.configmgr`. Control is returned to the caller when all message flows in the broker are reported as started, or two minutes elapses, whichever is sooner.

```
mqsistartmsgflow -n cm1.configmgr -b B1 -w 120
```

Start all message flows on Broker B1, which is controlled by the Configuration Manager. The Configuration Manager is hosted by the queue manager QM1 which is on local host:1414.

```
mqsistartmsgflow -q QM1 -i localhost -p 1414 -b B1
```

Enter `mqsistartmsgflow` to display usage information:

```
> mqsistartmsgflow
```

```
BIP1024I: Starts message flows.
```

```
> Syntax:
```

```
mqsistartmsgflow (-n cfgParameterFileName | ([-i ipAddress] [-p port] [-q qMgr]))  
  -b brokerName [-e executionGroupName [-m flowName]] [-w timeoutValue]  
  [-v traceFileName]
```

```
Command Options:
```

```
'-n cfgParameterFileName' File containing Configuration  
Manager connection parameters (.configmgr)
```

```
'-i ipAddress' IP address or host name of the Configuration  
Manager
```

```
'-p port' port number of the Configuration  
Manager
```

```
'-q qMgr' queue manager of the Configuration  
Manager
```

```
'-b brokerName' name of the broker on which to start message flows
```

```
'-e executionGroupName' name of the execution group on which to start message flows.  
If this is not specified, all message flows on the broker will be started.
```

```
'-m flowName' name of the message flow to start.
```

```
If this is not specified, all message flows on the execution group will be started.
```

```
'-w timeoutValue' time to wait (in seconds) for message flows to start (Default=60)
```

```
'-v traceFileName' send verbose internal trace to the specified file.
```

## **mqsistop command**

Use the `mqsistop` command to stop the specified component.

### **Supported platforms:**

- Windows
- Linux and UNIX systems
- z/OS as a console command

Select the appropriate link for details of this command on the platform, or platforms, that your enterprise uses:

- “`mqsistop` command - Windows, Linux, and UNIX systems” on page 623
- “`mqsistop` command - z/OS” on page 624

### **Authorization:**

On Windows XP and Windows Server 2003 systems, the user ID used to run this command must be a member of the group Administrators on the local system.

On Windows Vista and Windows Server 2008 systems, the user ID used to run this command must be running with elevated privileges on the local system:

- The user ID must be a member of the group Administrators.
- The command must be started from an environment that has **Run as Administrator** authority.

If you do not run the command from a privileged environment, you are asked to confirm that you want to continue. When you click **OK**, a new privileged command console is created and the command completed, but all responses are written to the privileged environment and are lost when that console closes when the command completes.

On Linux and UNIX systems, the user ID used to run this command must conform to the following requirements:

- The user ID must be a member of the mqbrkrs group.
- The user ID must either be root, , or be the user ID that started the component by using the mqsisstart command.
- If you specify the -q parameter, the user ID must be a member of the mqm group.

The security requirements for using the mqsisstop command are summarized in the following topics:

- “Security requirements for Windows platforms” on page 685
- “Security requirements for Linux and UNIX platforms” on page 684

On z/OS, the user ID used to run this command must have **UPDATE** authority in class **OPERCMD5** to the MVS.STOP.STC.message\_broker\_component\_started\_task resource.

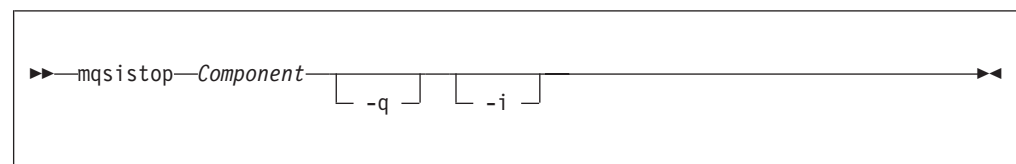
### **mqsisstop command - Windows, Linux, and UNIX systems:**

How to use the mqsisstop command on Windows, Linux, and UNIX systems.

*Purpose:*

Use the mqsisstop command to stop a WebSphere Message Broker component.

*Syntax:*



*Parameters:*

*Component*

(Required) The component must have a broker name, a Configuration Manager name, or one of the following fixed values:

- **Windows** ConfigMgr, UserNameServer, or DatabaseInstanceMgr on Windows platforms
- **Linux** **UNIX** UserNameServer on Linux and UNIX systems

**Linux** **UNIX** All of the names are case sensitive on Linux and UNIX systems.

Do not use the mqsistop command on a DatabaseInstanceMgr unless you are using the Derby database.

- q (Optional) Stops the WebSphere MQ queue manager associated with this WebSphere Message Broker component.

Specify this flag only if the WebSphere Message Broker component is the last (or only) WebSphere Message Broker component active on this queue manager. The mqsistop command initiates a controlled shutdown of the queue manager, and informs other users of the queue manager that it is closing.

Stop other WebSphere Message Broker components that use this queue manager before you issue the mqsistop command with this option; alternatively stop them afterwards or restart the queue manager.

If you use this option, be aware that any listeners associated with this queue manager are not stopped with the queue manager. Stop these manually after issuing the mqsistop command.

- i (Optional) Immediately stops the broker.

Only specify this flag if you have already tried, and failed, to stop the broker in a controlled fashion using the mqsistop command without the -i flag.

*Responses:*

- BIP8012 Unable to connect to system components
- BIP8013 Component does not exist
- BIP8016 Component cannot be stopped
- BIP8019 Component stopped
- BIP8030 Unable to modify user privileges
- BIP8049 Unable to stop queue manager
- BIP8093 Queue manager being created
- BIP8094 Queue manager stopping

*Examples:*

**Windows** **Windows**

To stop the Database Instance manager:

```
mqsistop DatabaseInstanceMgr
```

**Windows** **Linux** **UNIX** **Windows, Linux, and UNIX systems**

To stop the broker, *mybroker*, and the WebSphere MQ queue manager associated with it:

```
mqsistop mybroker -q
```

**mqsistop command - z/OS:**

*Purpose:*



Use the `mqsisstop` command to stop a WebSphere Message Broker component; the controller must be running.

The following table distinguishes between the **stop (/P)** and **stopcomponent** commands, and lists the available options:

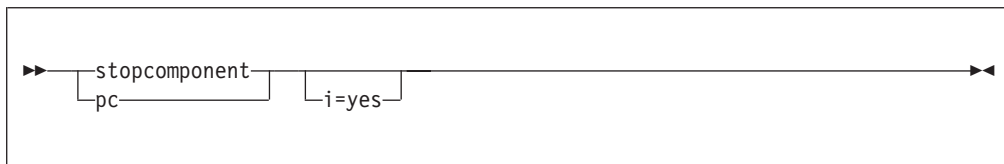
- Use the **stop (/P)** command to bring a component into a state in which you can run the appropriate **change** command.
- Use the **stopcomponent** command to stop a broker, Configuration Manager, or User Name Server when its controller (control process) is already running.

Component	Command	Description
Broker	<p><code>/P &lt;Broker started task name&gt;</code>  <code>/F &lt;Broker started task name&gt;,P</code></p> <p><code>/F &lt;Broker started task name&gt;,PC</code></p>	<p>Stop broker.</p> <p>Stop broker; this is the same as <code>/P</code>. You can also use <code>/F &lt;broker started task name&gt;,STOP</code></p> <p>Stop broker component. This stops the broker process (including any execution group address spaces), but leaves the message broker console command server running inside the controller address space. This allows you to run the “<code>mqsischangebroker</code> command” on page 399 console command. Restart the broker afterwards by running the “<code>mqsisstart</code> command” on page 616 (SC) console command.</p>
Configuration Manager	<p><code>/P &lt;Configuration Manager started task name&gt;</code>  <code>/F &lt;Configuration Manager started task name&gt;,P</code></p> <p><code>/F &lt;Configuration Manager started task name&gt;,PC</code></p>	<p>Stop Configuration Manager.</p> <p>Stop Configuration Manager; this is the same as <code>/P</code>. You can also use <code>/F &lt;configMgr started task name&gt;,STOP</code></p> <p>Stop Configuration Manager component. This stops the Configuration Manager process, but leaves the message broker console command server running inside the controller address space. This allows you to run the “<code>mqsischangeconfigmgr</code> command” on page 410 console command. Restart the broker afterwards by running the “<code>mqsisstart</code> command” on page 616 (SC) console command.</p>
User Name Server	<p><code>/P &lt;User Name Server started task name&gt;</code>  <code>/F &lt;User Name Server started task name&gt;,P</code></p> <p><code>/F &lt;User Name Server started task name&gt;,PC</code></p>	<p>Stop User Name Server.</p> <p>Stop User Name Server; this is the same as <code>/P</code>. You can also use <code>/F &lt;User Name Server started task name&gt;,STOP</code></p> <p>Stop User Name Server started task name component. This stops the User Name Server process, but leaves the message broker console command server running inside the controller address space. This allows you to run the “<code>mqsischangeusernameserver</code> command” on page 474 console command. Restart the broker afterwards by running the “<code>mqsisstart</code> command” on page 616 (SC) console command.</p>

*Syntax:*

*z/OS console command - stopcomponent:*

Synonym: pc



Parameters:

**-i** (Optional) Immediately stop the broker.

Only specify this flag if you have already tried, and failed, to stop the broker in a controlled fashion using the mqsisstop command without the **-i** flag.

This command is rejected by the WebSphere Message Broker console command server if a previous stop command has failed to complete. This can occur, for example, if one or more execution group address spaces cannot shutdown.

Examples:

```
F MQ00BRK,pc
```

## mqsisstopmsgflow command

Use the mqsisstopmsgflow command to stop message flows.

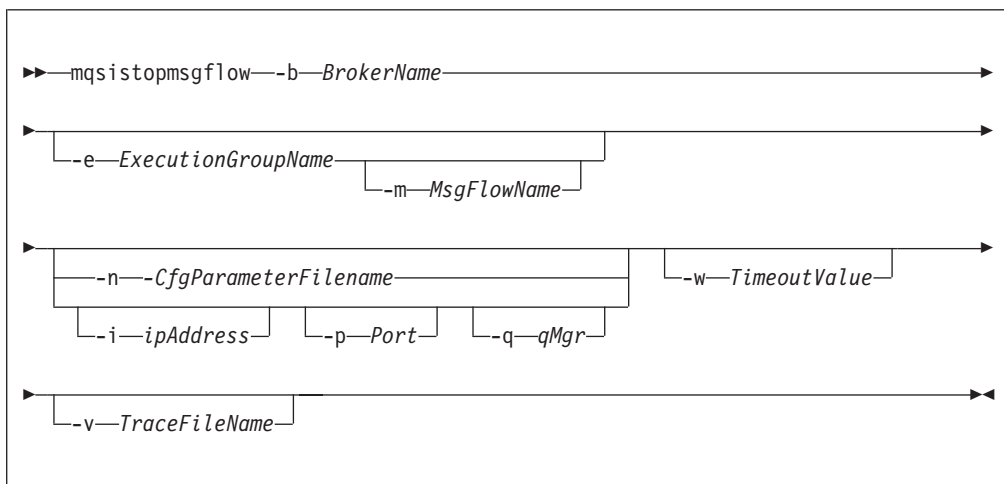
### Supported platforms:

- Windows
- Linux and UNIX systems
- z/OS. Run this command by customizing and submitting BIPSPMF; see “Contents of the Configuration Manager PDSE” on page 643

### Purpose:

Stop a single message flow, or all message flows in an execution group, on a specified broker. You must have previously deployed the message flows to the broker in a BAR file.

### Syntax:



## Parameters:

### **-b** *BrokerName*

(Required) The name of the broker on which to stop message flows.

If you do not specify the **-e** and **-m** flags, all message flows on the broker are stopped.

### **-e** *ExecutionGroupName*

(Optional) The name of the execution group on which message flows are stopped.

### **-m** *MsgFlowName*

(Optional) The name of the message flow being stopped.

You can specify only one message flow in a single command. However, if you do not specify this parameter, all message flows on the execution group or broker are stopped.

If you specify this flag you must also specify the **-e** flag.

### **-n** *CfgParameterFileName*

(Optional) This parameter specifies the name of a .configmgr file that describes the connection parameters to the Configuration Manager.

The file is in XML, using the .configmgr format that is saved by the workbench; for example:

```
<?xml version="1.0" encoding="UTF-8"?>
<configmgr crlNameList="" domainName="" host="winmvsd0" listenerPort="2206"
queueManager="mq06" securityExit="" securityExitJar="" sslCipherSuite="NONE"
sslDistinguishedNames="" sslKeyStore="" sslTrustStore="" svrconn="SYSTEM.BKR.CONFIG"/>
```

If you are using this file on z/OS you must remove the statement `encoding="UTF-8"` from the first line, and remove the value for the host attribute, to leave the statement as:

```
<?xml version="1.0"?>
<configmgr crlNameList="" domainName="" host="" listenerPort="2206"
queueManager="mq06" securityExit="" securityExitJar="" sslCipherSuite="NONE"
sslDistinguishedNames="" sslKeyStore="" sslTrustStore="" svrconn="SYSTEM.BKR.CONFIG"/>
```

### **-i** *IpAddress*

(Optional) This parameter specifies the host name or IP address of the Configuration Manager. If this parameter is not specified, the default value "" is used, which results in a local binding connection.

### **-p** *Port*

(Optional) This parameter is the port number of the Configuration Manager. If this parameter is not specified, the default value 1414 is used.

### **-q** *QMgr*

(Optional) This parameter specifies the name of the WebSphere MQ queue manager that the Configuration Manager is using. If this parameter is not specified, the default value "" is used.

### **-w** *TimeoutValue*

(Optional) This parameter is the time in seconds that the utility waits to ensure that the command completed; the default value is 60.

### **-v** *TraceFileName*

(Optional) This parameter sends internal debug trace information to the specified file.

## Authorization:

On Windows Vista and Windows Server 2008 systems, the user ID used to run this command must be running with elevated privileges on the local system:

- The user ID must be a member of the group Administrators.
- The command must be started from an environment that has **Run as Administrator** authority.

If you do not run the command from a privileged environment, you are asked to confirm that you want to continue. When you click **OK**, a new privileged command console is created and the command completed, but all responses are written to the privileged environment and are lost when that console closes when the command completes.

On all platforms, the user ID used to run this command must have sufficient authority defined in the access control list defined to the Configuration Manager. The permissions required are the same as the permission required to do the equivalent function in the Message Broker Toolkit

### Responses:

This command returns the following responses:

- 0 (Success) States that the request completed successfully and the state of all message flows has been updated.
- 2 (Failure) States that at least one message flow can not be put into the correct state for any reason.
- 98 States that the Configuration Manager cannot be reached.
- 99 States that the supplied arguments to the utility are not valid.

### Examples:

Stops all message flows on execution group `default` on broker `B1`, which is controlled by the Configuration Manager whose connection details are described in `cm1.configmgr`. Control is returned to the caller when all message flows in the execution group are reported as stopped, or the default time of one minute elapses, whichever is sooner.

```
mqsistopmsgflow -n cm1.configmgr -b B1 -e default
```

Stops the message flow `flow1` on execution group `default` on broker `B1`, which is controlled by the Configuration Manager whose connection details are described in `cm1.configmgr`. Control is returned to the caller when the message flow is reported as stopped, or the default time of one minute elapses, whichever is sooner.

```
mqsistopmsgflow -n cm1.configmgr -b B1 -e default -m flow1
```

Enter `mqsistopmsgflow` to display usage information:

```
> mqsistopmsgflow
BIP1025I: Stops message flows.
```

> Syntax:

```
mqsistopmsgflow (-n cfgParameterFileName | ([-i ipAddress] [-p port] [-q qMgr]))
-b brokerName [-e executionGroupName [-m flowName]] [-w timeoutValue]
[-v traceFileName]
```

Command Options:

'-n cfgParameterFileName' Configuration Manager connection file (.configmgr)

'-i ipAddress' IP address or host name of the Configuration Manager

'-p port' port number of the Configuration Manager  
'-q qMgr' queue manager of the Configuration Manager  
'-b brokerName' name of the broker on which to stop message flows  
'-e executionGroupName' name of the execution group on which to stop message flows. If this is not specified, all message flows on the broker will be stopped.  
'-m flowName' name of the message flow to start. If this is not specified, all message flows on the execution group will be stopped.  
'-w timeoutValue' time to wait (in seconds) for message flows to stop (Default=60)  
'-v traceFileName' send verbose internal trace to the specified file.

---

## z/OS specific information

Follow the links below for more information:

- [“Administration in z/OS”](#)
- [“z/OS customization” on page 632](#)
- [“z/OS JCL variables” on page 645](#)

## Administration in z/OS

In the z/OS environment, commands are issued through the console and others in batch jobs.

- *hlq*.SBIPSAMP has all the JCL samples to customize.
- *hlq*.SBIPPROC has all the JCL procedures to customize.

### Stepname

The processes BIPSERVICE and BIPBROKER are in the same address space (control address space). After an Execution Group address space is started on z/OS, the stepname of the address space has the following value:

- The last eight characters are taken from the Execution Group label.
- Any lowercase characters are folded to upper case.
- Any non alphanumeric characters are changed to the character @.
- If the first character is not an alpha character, it is changed to A.

The stepname is not guaranteed to be a unique value. However, you are strongly recommended to ensure that the last eight characters of any Execution Group labels that are deployed to a z/OS broker are unique, and contain only alphanumeric characters; note that an Execution Group label has a maximum size of 3000 bytes.

See the following topics for more information:

- [“Issuing commands to the z/OS console”](#)
- [“Guidance for issuing console commands in z/OS” on page 630](#)
- [“START and STOP commands on z/OS” on page 631](#)

## Issuing commands to the z/OS console

You operate the broker or User Name Server using the z/OS START, STOP, and MODIFY commands. You can issue commands, and get responses back from:

- The z/OS operator console
- The TSO CONSOLE facility
- The CONSOLE interface from REXX

- Products such as SDSF
- z/OS automation products, such as NetView®

However, you are likely to need to issue commands with mixed case, because execution group names are often in mixed case. You can issue commands with mixed case on the z/OS console, using the REXX CONSOLE interface, with products like SDSF V2.10 and higher, and NetView. Releases of SDSF before V2.10, and the TSO CONSOLE facility, do not support passing mixed case data.

If you do not have support for mixed case, you can submit the commands through a batch job. For example:

```
//MI01CMD JOB MSGCLASS=H
// COMMAND 'f MQP1BRK,ct t=yes,e='default',l=debug,f='lowmf1''
//STEP1 EXEC PGM=IEFBR14
```

If your product for issuing console commands supports mixed case input, you might need to take special actions to use mixed case. For example in SDSF on S/390® V2.10 and above, you can enter mixed case keyword values by typing /, pressing ENTER, and entering the command in the popup window. If you enter / followed by the command, the command is translated to uppercase. In NetView, prefix the command with NETVASIS to get lowercase support.

## Guidance for issuing console commands in z/OS

These examples use a broker called MQP1BRK. Start and stop the broker or User Name Server using the MVS START (S) and STOP (P) commands. If you want to pass information to the broker or User Name Server while it is running, use the MVS MODIFY command (F) to issue commands. For example:

```
F MQP1BKR,rt
```

This list summarizes the rules you must follow when issuing console commands:

- Each command starts with a verb followed by zero or more keyword=value pairs.
- There must be one or more blanks between the verb and the first keyword.
- All characters are converted to lowercase, unless they are within quotation marks.
- Multiple keywords are separated by , with no blanks.
- The keyword is always case insensitive.
- The value is case sensitive, unless specified otherwise (for example Yes/No, trace-modes).
- Each keyword must be followed by the equals sign = and parameter value. Enter parameters in any order in the form:  
flag=value

and separate them with commas. Repeated parameters are not allowed.

- Strings that contain blanks or special characters must be enclosed in single quotation marks ( ' ). If the string itself contains a quotation mark, the quotation mark is represented by two single quotation marks.
- The verb and keywords are not case sensitive.
- On mixed case consoles the case of values in single quotation marks ( ' ) is not changed.
- For YES/NO flags, all case combinations are allowed.
- The maximum length of the MODIFY command is 126 characters, including

F taskname,

An example console command:

```
F MQP1BRK,changetrace u=Yes,l=normal,e='myExecutionGroup'
```

## START and STOP commands on z/OS

These examples use a broker called MQP1BRK. Start and stop the broker, Configuration Manager, or User Name Server using the MVS START (S) and STOP (P) commands. If you want to pass information to the broker or User Name Server while it is running, use the MVS MODIFY command (F) to issue commands. For example:

```
F MQP1BRK,rt
```

The MVS command START (S) starts a broker, Configuration Manager, or User Name Server (server component) on MVS. This initiates the control address space, plus other address spaces as needed, to run that component.

If you have problems starting the broker, use the command:

```
S <broker name>,STRTP=MAN
```

This command starts the administration task but not the execution groups.

The MVS command STOP (P) stops a server component completely, including its control address space.

For administration purposes you can bring the server component into another state, where the control address space is still running, but all other components are stopped.

For example, this is needed in order to change broker startup parameters, see “mqsichangebroker command” on page 399. You can do this by using the MODIFY (/F) command on the started component, and using the startcomponent (SC) or stopcomponent (PC) options. See “mqsisstart command” on page 616 and “mqsisstop command” on page 622 for more information.

## Usage data on z/OS

This topic introduces SMF 89 subtype 1 records as a method of recording accumulated usage data on z/OS.

Whenever a DataFlowEngine address space starts on z/OS, the system registers the address space for usage data collection; the system writes this usage data information to SMF 89 subtype 1 records.

When the DataFlowEngine address space stops, the system deregisters the address space.

Note that the data that is collected in the SMF 89 subtype 1 records does not correspond in any way with the data that is collected by the WebSphere Message Broker Accounting and Statistics SMF 117 records.

The system writes the accumulated usage data for WebSphere Message Broker at a scheduled interval, the maximum period of which is one hour. The timing of the interval is set by the INTERVAL value that is specified for the SMF address space.

The system writes any usage data that is produced by other products to the same SMF 89 subtype 1 record.

On registering for usage data collection, the system writes the following message to the system log:

```
BIP9272I MQ05BRK default 0 THE DATAFLOWENGINE PROCESS HAS REGISTERED SMF 89
SUBTYPE 1 RECORD COLLECTION. RETURN CODE '0', : ImbMain(316)
```

Upon deregistering from usage data collection, the system writes the following message to the system log:

```
BIP9273I MQ05BRK default 0 THE DATAFLOWENGINE PROCESS HAS DEREGISTERED SMF 89
SUBTYPE 1 RECORD COLLECTION. RETURN CODE '0', : ImbMain(1079)
```

WebSphere Message Broker sets the following values in the SMF 89 subtype 1 record:

Name	Description	WebSphere Message Broker value
SMF89UPO	Product owner	"IBM CORP"
SMF89UPN	Product name	"WMB" WebSphere Message Broker "WRF" WebSphere Message Broker Rules and Formatter
SMF89UPV	Product version	"NOTUSAGE"
SMF89UPQ	Product qualifier	""
SMF89UPI	Product ID	"5655-74" for WMB "5697-J09" for WRF

In all cases, the values are left-aligned and padded with blanks.

All DataFlowEngines that are started and stopped on a single system provide the same values when registering and deregistering. Therefore, the usage data that is written at the end of an interval in the SMF 89 subtype 1 record is an accumulation of all DataFlowEngine address spaces.

For further information about SMF 89 subtype 1 records, see the *MVS System Management Facilities (SMF)* manual.

## z/OS customization

This is an introduction topic for a number of reference topics in the area of z/OS customization.

### Naming conventions for WebSphere Message Broker for z/OS

Decide upon a naming convention for your WebSphere Message Broker components to make customizing, operating, and administering easier.

Each broker requires its own queue manager. Base your broker name on the queue manager name. For example, append BRK to the queue manager name of MQP1, to give MQP1BRK. This naming convention has the following advantages:

- It is easy to associate the broker with the queue manager, because they both begin with the same characters.



- The started task name has the same name as the broker.
- You can have the broker name as part of the data set name, which makes it easier to administer.

Similarly, base the Configuration Manager User Name Server name on the queue manager name. For example, append CMGR or UNS to the queue manager name.

Using this convention, you might have the following component names for a queue manager MQP1.

- A broker called MQP1BRK with:
  - A started task name of MQP1BRK.
  - A started task user ID of MQP1BRK.
  - A PDSE containing definitions called hlq.MQP1BRK.xxx.
  - A UNIX System Services directory structure like /xxx/yyy/MQP1BRK.
  - A DB2 group called MQP1GRP.
- A User Name Server called MQP1UNS with:
  - A started task name of MQP1UNS.
  - A started task user ID of MQP1UNS.
  - A PDSE containing definitions called hlq.MQP1UNS.xxx.
  - A UNIX System Services directory structure like /xxx/yyy/MQP1UNS.
- A Configuration Manager called MQP1CMGR with:
  - A started task name of MQP1CMGR.
  - A started task user ID of MQP1CMGR.
  - A PDSE containing definitions called hlq.MQP1CMGR.xxx.
  - A UNIX System Services directory structure like /xxx/yyy/MQP1CMGR.

Plan for expansion by selecting names that allow growth.

If your broker name is in uppercase, ensure the broker name is also in uppercase in the workbench.

## Customization tasks and roles on z/OS

Systems programmers do most of the customization of WebSphere Message Broker. Tasks that need to be performed by other people in your organization are identified in the table below:

Role	Task
<b>z/OS systems programmer</b>	"Customizing the z/OS environment" on page 148
	"Setting up z/OS security" on page 71
	"Summary of required access (z/OS)" on page 634
	"Customizing UNIX System Services on z/OS" on page 159
	"Creating the broker component" on page 186
	"Starting and stopping a broker on z/OS" on page 320
	"Checking APF attributes of bipimain on z/OS" on page 168
<b>DB2 administrator</b>	"Setting up DB2 security on z/OS" on page 72
	"Summary of required access (z/OS)" on page 634
	"DB2 planning on z/OS" on page 161

	"Priming DB2" on page 185
<b>WebSphere MQ administrator</b>	"Setting up WebSphere MQ" on page 74
	"Summary of required access (z/OS)"
	"WebSphere MQ planning for z/OS" on page 164
	"Creating the broker component" on page 186
	"Defining the started tasks to z/OS Workload Manager (WLM)" on page 165
<b>WebSphere Message Broker administrator</b>	"Setting up workbench access on z/OS" on page 74
	"Summary of required access (z/OS)"
	"Creating a broker on z/OS" on page 179
	"Creating the broker component" on page 186
	"Checking APF attributes of bipimain on z/OS" on page 168
<b>Performance specialist</b>	"Defining the started tasks to z/OS Workload Manager (WLM)" on page 165
<b>Security administrator</b>	"Setting up z/OS security" on page 71
	"Setting up DB2 security on z/OS" on page 72
	"Summary of required access (z/OS)"
	"Creating Publish/Subscribe user IDs" on page 74
<b>Data administrator</b>	"Setting up z/OS security" on page 71
	"Summary of required access (z/OS)"
	"Disk space requirements on z/OS" on page 638
	"Starting and stopping a broker on z/OS" on page 320
	"Using the file system on z/OS" on page 153
	"Binding a DB2 plan to use data-sharing groups on z/OS" on page 639

Some tasks, for example defining queue security, overlap two different roles.

#### **Summary of required access (z/OS):**

The professionals in your organization require access to components and resources on z/OS.

*Authorizations required for the WebSphere Message Broker started-task user ID:*

The directory authorizations required for all WebSphere Message Broker components are:

- *READ/EXECUTE* access to <INSTPATH>, where <INSTPATH> is the directory where WebSphere Message Broker for z/OS is installed by SMP/E.

- *READ/WRITE/EXECUTE* access to the component directory ++COMPONENTDIRECTORY++.
- *READ/WRITE* access to the home directory.
- *READ/WRITE* access to the directory identified by ++HOME++.
- In UNIX System Services, the started task user ID and the WebSphere Message Broker administrator user ID must both be members of the groups that have access to the installation and component directories, because they both need privileges over these. The owner of these directories needs to give the appropriate permissions to this group.

The following PDSE and DB2 authorizations are required only for a broker component, that is, not a Configuration Manager or User Name Server

*READ* access to the component PDSE is required.

DB2 authorizations for the started task user ID and the table owner ID are required:

- If a profile for db2subsystem.RRSAF exists in the DSNR class, the started task user ID needs access to the profile. For example, the following RACF command shows whether the profile exists:

```
RLIST DSNR (DB2P.RRSAF)
```

and the following command gives the required access:

```
PERMIT DB2P.RRSAF CLASS(DSNR) ID(WQMITASK) ACCESS(READ)
```

- *SELECT* privilege on the tables SYSIBM.SYSTABLES, SYSIBM.SYSSYNONYMS, and SYSIBM.SYSDATABASE.
- *SELECT*, *UPDATE*, *INSERT*, and *DELETE* privileges on all broker system tables.
- DB2\_TABLE\_OWNER must be a valid authorization ID of the started task user ID.
- *EXECUTE* authority on the DSNACLI plan, or equivalent for the started task user ID.

### WebSphere MQ authorizations

Enable WebSphere MQ security to protect your WebSphere MQ resources. If all WebSphere MQ security switches are enabled, define the following profiles and give the started task user ID the listed access to each profile. For each profile access listed, <MQ\_QMNAME> represents the WebSphere MQ queue manager that the WebSphere Message Broker component is connected to, and TASKID represents the WebSphere Message Broker started-task user ID.

- Connection security: *READ* access to profile <MQ\_QMNAME>.BATCH of class MQCONN. For example, for queue manager MQP1 and started task ID TASKID, use the RACF commands:

```
RDEFINE MQCONN MQP1.BATCH UACC(NONE)
PERMIT MQP1.BATCH CLASS(MQCONN) ID(TASKID) ACCESS(READ)
```

- Queue security: *UPDATE* access to profile <MQ\_QMNAME>.queue of class MQQUEUE for all queues. Consider creating profiles for the following queues:
  - All component queues using the generic profile SYSTEM.BROKER.\*\*
  - Any transmissions queues defined between component queue managers.
  - Any queues defined in message flows.
  - Dead-letter queues.

For example, for queue manager MQP1 and started task ID TASKID, use the following RACF commands to restrict access to the component queues:

```
RDEFINE MQQUEUE MQP1.SYSTEM.BROKER.** UACC(NONE)
PERMIT MQP1.SYSTEM.BROKER.** CLASS(MQQUEUE) ID(TASKID) ACCESS(UPDATE)
```

- Context security: *CONTROL* access to profile <MQ\_QMNAME>.CONTEXT of class MQADMIN. For example, for queue manager MQP1 and started task ID TASKID, use the following RACF commands:

```
RDEFINE MQADMIN MQP1.CONTEXT UACC(NONE)
PERMIT MQP1.CONTEXT.** CLASS(MQADMIN) ID(TASKID) ACCESS(CONTROL)
```

- Alternate user security: Define the alternate user authority as: *UPDATE* access to profile <MQ\_QMNAME>.ALTERNATE.USER.id of class MQADMIN, where id represents the service ID of the Configuration Manager component. For example, for queue manager MQP1, started task ID TASKID, and configuration service ID CFGID, use the following RACF commands:

```
RDEFINE MQADMIN MQP1.ALTERNATE.USER.CFGID UACC(NONE)
PERMIT MQP1.ALTERNATE.USER.CFGID CLASS(MQADMIN) ID(TASKID) ACCESS(UPDATE)
```

*UPDATE* access to profile <MQ\_QMNAME>.ALTERNATE.USER.id of class MQADMIN, where id represents the user ID of, for example, a Publish/Subscribe request.

- Process and namelist security: If you have WebSphere MQ security switches enabled in your system for process and namelist security, you do not need to define any access profiles in a WebSphere Message Broker default configuration.

For users connecting remotely from either the Message Broker Toolkit or from a Configuration Manager Proxy application to the Configuration Manager on z/OS the following authorizations are required :

- Connection security: *READ* access to profile <MQ\_QMNAME>.CHIN of class MQCONN. For example, for queue manager MQP1 and started task ID TASKID, use the following RACF commands:

```
RDEFINE MQCONN MQP1.CHIN UACC(NONE)
PERMIT MQP1.CHIN CLASS(MQCONN) ID(TASKID) ACCESS(READ)
```

- Alternate user security: Define the alternate user authority as: *UPDATE* access to profile <MQ\_QMNAME>.ALTERNATE.USER.id of class MQADMIN, where id represents the user ID of the Message Broker Toolkit or Configuration Manager Proxy application. For example, for queue manager MQP1, started task ID TASKID, and user ID USERID, use the following RACF commands:

```
RDEFINE MQADMIN MQP1.ALTERNATE.USER.USERID UACC(NONE)
PERMIT MQP1.ALTERNATE.USER.USERID CLASS(MQADMIN) ID(TASKID) ACCESS(UPDATE)
```

*Authorizations required for the WebSphere Message Broker administrator:*

The broker administrator requires the following authorizations:

- *ALTER* access to the component PDSE.
- *READ*, *WRITE*, and *EXECUTE* access to the component directory ++COMPONENTDIRECTORY++.
- *READ/EXECUTE* access to <INSTPATH>, where <INSTPATH> is the directory where WebSphere Message Broker for z/OS is installed by SMP/E.
- *READ/WRITE* access to the directory identified by ++HOME++.
- In UNIX System Services, the started task user ID and the WebSphere Message Broker administrator user ID must both be members of the groups that have access to the installation and component directories, because they both need privileges over these. The owner of these directories needs to give the appropriate permissions to this group.
- To run the DB2 pass when creating and deleting components DBADM authority for the broker database is required.

*Authorizations required for the DB2 administrator:*

The DB2 administrator needs to have the following authorizations to run the DB2 configuration jobs BIPCRDB and BIPDLDB:

- *ALTER* access to the component PDSE.
- DB2 authorizations: SYSCTRL or SYSADM authority.
- CREATE STOGROUP, CREATE DATABASE, and CREATE TABLESPACES.
- DROP DATABASE and DROP STOGROUP.

If the DB2 administrator runs the DB2 pass when creating and deleting a component, the administrator user ID also needs the following authorizations. Alternatively, you can grant authorization to the WebSphere Message Broker administrator to run the DB2 pass.

- *READ*, *WRITE*, and *EXECUTE* access to the component directory ++COMPONENTDIRECTORY++.
- *READ/EXECUTE* access to <INSTPATH>, where <INSTPATH> is the directory where WebSphere Message Broker for z/OS is installed by SMP/E.
- *READ/WRITE* access to the directory identified by ++HOME++.
- In UNIX System Services, the started task user ID and the WebSphere Message Broker administrator user ID must both be members of the groups that have access to the installation and component directories, because they both need privileges over these. The owner of these directories must give the appropriate permissions to this group.

*Authorizations required for the WebSphere MQ administrator:*

If the WebSphere MQ administrator runs the WebSphere MQ pass when creating a component, the administrator user ID requires the following authorizations. Alternatively WebSphere MQ, you can grant authorization to the WebSphere Message Broker administrator to run the WebSphere MQ pass.

- *ALTER* access to the component PDSE.
- Directory authorizations:
  - *READ/EXECUTE* access to <INSTPATH>, where <INSTPATH> is the directory where WebSphere Message Broker for z/OS is installed by SMP/E.
  - *READ*, *WRITE*, and *EXECUTE* access to the component directory ++COMPONENTDIRECTORY++.
  - *READ/WRITE* access to the directory identified by ++HOME++.

Enable WebSphere MQ security to protect your WebSphere MQ resources. If all WebSphere MQ security switches are enabled, define the following profiles and give the WebSphere MQ administrator the listed access to each profile in order to run the WebSphere MQ configurations jobs. For each profile access listed, MQ\_QMNAME represents the WebSphere MQ queue manager that the WebSphere Message Broker component is connected to, and MQADMIN represents the WebSphere MQ administrator ID:

- Connection security: *READ* access to profile <MQ\_QMNAME>.BATCH of class MQCONN. For example, for queue manager MQP1 and WebSphere MQ administrator ID MQADMIN, use the following RACF commands:

```
RDEFINE MQCONN MQP1.BATCH UACC(NONE)
PERMIT MQP1.BATCH CLASS(MQCONN) ID(MQADMIN) ACCESS(READ)
```
- Queue security: *UPDATE* access to profile <MQ\_QMNAME>.queue of class MQQUEUE for component queues created or deleted. You can create a generic profile

SYSTEM.BROKER.\*\* For example, for queue manager MQP1 and WebSphere MQ administrator ID MQADMIN, use the following RACF commands to restrict access to the component queues:

```
RDEFINE MQQUEUE MQP1.SYSTEM.BROKER.** UACC(NONE)
PERMIT MQP1.SYSTEM.BROKER.** CLASS(MQQUEUE) ID(MQADMIN) ACCESS(UPDATE)
```

- System command server: *UPDATE* access to profile <MQ\_QMNAME>.queue of class MQQUEUE for SYSTEM.COMMAND.\*\*. For example, for queue manager MQP1 and WebSphere MQ administrator ID MQADMIN, use the following RACF commands to restrict access to the system command server:

```
RDEFINE MQQUEUE MQP1.SYSTEM.COMMAND.** UACC(NONE)
PERMIT MQP1.SYSTEM.COMMAND.** CLASS(MQQUEUE) ID(MQADMIN) ACCESS(UPDATE)
```

*UPDATE* access to profile <MQ\_QMNAME>.queue of class MQQUEUE for some system queues used during the create/delete job. You can create a generic profile <MQ\_QMNAME>.\*\*

- Command security:
  - To run the WebSphere MQ pass when creating a component you need:
    - *ALTER* access to <MQ\_QMNAME>.DEFINE.QLOCAL of class MQCMDS.
    - *ALTER* access to <MQ\_QMNAME>.DEFINE.QMODEL of class MQCMDS.
    - *ALTER* access to <MQ\_QMNAME>.DEFINE.CHANNEL of class MQCMDS.
  - To run the WebSphere MQ pass when deleting a component you need:
    - *ALTER* access to <MQ\_QMNAME>.DELETE.QLOCAL of class MQCMDS.
    - *ALTER* access to <MQ\_QMNAME>.DELETE.QMODEL of class MQCMDS.
    - *ALTER* access to <MQ\_QMNAME>.DELETE.CHANNEL of class MQCMDS.

For queue manager MQP1 and WebSphere MQ administrator ID MQADMIN, use the following RACF commands:

```
RDEFINE MQCMDS MQP1.DELETE.QLOCAL UACC(NONE)
PERMIT MQP1.DELETE.QLOCAL CLASS(MQCMDS) ID(MQADMIN) ACCESS(ALTER)
```

- Resource command security: *ALTER* access to MQP1.QUEUE.queue of class MQADMIN for each queue created or deleted. You can create a generic profile SYSTEM.BROKER.\*\*. For example, for queue manager MQP1 and WebSphere MQ administrator ID MQADMIN, use the RACF commands:

```
RDEFINE MQADMIN MQP1.QUEUE.SYSTEM.BROKER.** UACC(NONE)
PERMIT MQP1.QUEUE.SYSTEM.BROKER.** CLASS(MQADMIN) ID(MQADMIN) ACCESS(ALTER)
```

- Process and namelist security: If you have WebSphere MQ security switches enabled in your system for process and namelist security, you do not need to define any access profiles in a WebSphere Message Broker default configuration.

For a description of how to implement WebSphere MQ security using RACF, see “Setting up WebSphere MQ” on page 74.

*Authorizations required for the DB2 subsystem started-task user ID:*

DB2 needs *ALTER* access to the catalog value specified in DB2\_STOR\_GROUP\_VCAT because it creates data sets with this high-level qualifier.

## Disk space requirements on z/OS

The installation of WebSphere Message Broker for z/OS uses approximately 400 MB of disk space; plan on using 500 MB to allow for the component directories, and for new service fixes to be applied.

When you apply service, if you do not replace your existing installation (for example, you apply the new fix pack level alongside your existing installation), you must plan the same amount of disk space for the higher service level libraries.

If you are transferring the files by using *tar* to package them, you need approximately 200 MB of space for the .tar file.

You can check how much space is used and how much is free in a file system by using the OMVS command:

```
df -P /pathname
```

100 MB is 3 276 800 512 byte sectors.

The following table gives guidance on the space required for a minimum installation (base installation and verification test) of WebSphere Message Broker for each component implemented on z/OS.

<i>Component</i>	<i>Space required</i>	<i>Purpose</i>
DB2 database (broker only)	6 MB	Holds the broker system tables.
Component directory	20 MB	Holds the runtime information and output directories for the component.  This includes trace files and other user problem determination data, which might become large.
Component PDSE	1 MB	Holds the customization and administration jobs, procedures, and data for the component.  The data set must be allocated with a fixed record length of 80 (LRECL=80) and a format of FB 80. Reserve directory space for 50 members, or use a PDSE if possible.
Started task user ID home directory	8 GB	Collects diagnostic materials: for example, dumps. Dumps are usually more than 500 MB in size.  8 GB of space must be available in the file system, but many user IDs can have their home directory in the file system.

The Component directory and the Started task user ID home directory must be separate to ensure that, when dumps are taken in the Started task user ID home directory, they do not cause problems with the runtime broker that still has to write to the Component directory.

### **Binding a DB2 plan to use data-sharing groups on z/OS**

During customization, you can specify which plan name to use, or use the default DSNACLI. If you are using XPLINK, the default plan is called DSNACLX. If you want your broker to access DB2 data-sharing groups other than its own, the DSNACLI plan must be bound in a special way. If the broker uses one data sharing group, but might want to access tables on DSNONE and DSNTWO, which are in different data-sharing groups, amend the DB2 supplied job DSNTIJCL to do the following:

```

BIND PACKAGE (DSNAOCLI)MEMBER(DSNCLICS) ISOLATION(CS)
BIND PACKAGE (DSNAOCLI)MEMBER(DSNCLINC) ISOLATION(NC)
BIND PACKAGE (DSNAOCLI)MEMBER(DSNCLIRR) ISOLATION(RR)
BIND PACKAGE (DSNAOCLI)MEMBER(DSNCLIRS) ISOLATION(RS)
BIND PACKAGE (DSNAOCLI)MEMBER(DSNCLIUR) ISOLATION(UR)
BIND PACKAGE (DSNAOCLI)MEMBER(DSNCLIC1)
BIND PACKAGE (DSNAOCLI)MEMBER(DSNCLIC2)
BIND PACKAGE (DSNAOCLI)MEMBER(DSNCLIF4)
BIND PACKAGE (DSNAOCLI)MEMBER(DSNCLIMS)
BIND PACKAGE (DSNAOCLI)MEMBER(DSNCLIQR)
BIND PACKAGE (DSNONE.DSNAOCLI)MEMBER(DSNCLICS) ISOLATION(CS)
BIND PACKAGE (DSNONE.DSNAOCLI)MEMBER(DSNCLINC) ISOLATION(NC)
BIND PACKAGE (DSNONE.DSNAOCLI)MEMBER(DSNCLIRR) ISOLATION(RR)
BIND PACKAGE (DSNONE.DSNAOCLI)MEMBER(DSNCLIRS) ISOLATION(RS)
BIND PACKAGE (DSNONE.DSNAOCLI)MEMBER(DSNCLIUR) ISOLATION(UR)
BIND PACKAGE (DSNONE.DSNAOCLI)MEMBER(DSNCLIC1)
BIND PACKAGE (DSNONE.DSNAOCLI)MEMBER(DSNCLIC2)
BIND PACKAGE (DSNONE.DSNAOCLI)MEMBER(DSNCLIF4)
BIND PACKAGE (DSNONE.DSNAOCLI)MEMBER(DSNCLIMS)
BIND PACKAGE (DSNONE.DSNAOCLI)MEMBER(DSNCLIQR)
BIND PACKAGE (DSNTWO.DSNAOCLI)MEMBER(DSNCLICS) ISOLATION(CS)
BIND PACKAGE (DSNTWO.DSNAOCLI)MEMBER(DSNCLINC) ISOLATION(NC)
BIND PACKAGE (DSNTWO.DSNAOCLI)MEMBER(DSNCLIRR) ISOLATION(RR)
BIND PACKAGE (DSNTWO.DSNAOCLI)MEMBER(DSNCLIRS) ISOLATION(RS)
BIND PACKAGE (DSNTWO.DSNAOCLI)MEMBER(DSNCLIUR) ISOLATION(UR)
BIND PACKAGE (DSNTWO.DSNAOCLI)MEMBER(DSNCLIC1)
BIND PACKAGE (DSNTWO.DSNAOCLI)MEMBER(DSNCLIC2)
BIND PACKAGE (DSNTWO.DSNAOCLI)MEMBER(DSNCLIF4)
BIND PACKAGE (DSNTWO.DSNAOCLI)MEMBER(DSNCLIMS)
BIND PACKAGE (DSNTWO.DSNAOCLI)MEMBER(DSNCLIQR)
BIND PLAN(DSNACLI) -
PKLIST(*.DSNAOCLI.DSNCLICS -
*.DSNAOCLI.DSNCLINC -
*.DSNAOCLI.DSNCLIRR -
*.DSNAOCLI.DSNCLIRS -
*.DSNAOCLI.DSNCLIUR -
*.DSNAOCLI.DSNCLIC1 -
*.DSNAOCLI.DSNCLIC2 -
*.DSNAOCLI.DSNCLIF4 -
*.DSNAOCLI.DSNCLIMS -
*.DSNAOCLI.DSNCLIQR )

```

## Customization planning checklist for z/OS

Use the information contained in the following tables to make a note of the values to use when you customize your system variables. For further information, see:

- “Installation information - broker and User Name Server” on page 180
- “Installation information - Configuration Manager” on page 194
- “DB2 information” on page 180
- “Component information - broker” on page 181
- “Component information - Configuration Manager” on page 194
- “Component information - User Name Server” on page 203

## Contents of the broker PDSE

After you have successfully customized the broker, the broker PDSE members have been set up.



## Broker PDSE members originating in <hlq>.SBIPSAMP

The PDSE members are described in the following table.

Description	Name
Broker profile	BIPBPROF
Job to run the broker DB2 database backup	BIPBUDB
Broker DB2 dsnaoini file "Sample BIPDSNAO file" on page 673 lists the shipped BIPDSNAO file.	BIPDSNAO
Job to run the broker DB2 database QUIESCE	BIPQSDB
Job to run the broker DB2 database report	BIPRPDB
Job to run the broker DB2 database restore	BIPRSDB
Job to run the broker DB2 run statistics example	BIPRUNST

## Broker PDSE members originating in <hlq>.SBIPPROC

The PDSE members are described in the following table.

Description	Name
Commented sample job to identify database resources, including tables and table spaces for performance tuning purposes	BIPALDB
Commented sample job to identify WebSphere MQ resources, including queues for performance tuning purposes	BIPALMQ
Job to run the mqsiapplybaroverride command	BIPOBAR
Job to run mqsibrowse command. Use this command only at the request of IBM service.	BIPBRWS
Job to run the mqsichangebroker command	BIPCHBK
Job to run the mqsichangebroker command	BIPCHME
Job to run the mqsichangebrokerstats command	BIPCHMS
Job to run the mqsichangebrokeruserexits command	BIPCHUE
Job to run the mqsichangebrokerproperties command	BIPCHPR
Removes an MQSeries Publish/Subscribe broker as a neighbor; runs the mqsilearnmqpubsub command	BIPCLMP
Job to run the mqsicreatebroker command to: <ul style="list-style-type: none"> <li>• Create the DB2 tables</li> <li>• Create the WebSphere MQ resources</li> <li>• Create the broker registry</li> </ul> "Sample BIPCRBK file" on page 655 lists the shipped BIPCRBK file.	BIPCRBK
Job to run the mqsicreateconfigurablebroker command.	BIPCRCS
Job to create the DB2 storage group, database and table spaces. "Sample BIPCRDB file" on page 663 lists the shipped BIPCRDB file.	BIPCRDB
Job to run the mqsideletebroker command	BIPDLBK
Job to drop the DB2 database and storage groups	BIPDLDB

Edit macro for customization. Rename BIPEDIT to a unique name that identifies it to the current component; for example, MQ01EDBK "Sample BIPEDIT file" on page 674 lists the shipped BIPEDIT file.	BIPEDIT (MQP1BRK)
Job to run the mqsiformatlog command.	BIPFMLG
Job to convert BIPBPROF profile to a valid ENVFILE. "Sample BIPGEN file" on page 675 lists the shipped BIPGEN file.	BIPGEN
Job to run the mqsijoinmqpubsub command	BIPJNMP
Job to run the mqsilist command	BIPLIST
Job to run the mqsilistmqpubsub command	BIPLSMP
Job to run the mqsireadbar command	BIPRBAR
Job to run the mqsireadlog command.	BIPRELG
Job to run the mqsireportflowmonitoring command	BIPRPME
Job to run the mqsireportflowstats command	BIPRPMS
Job to run the mqsireportproperties command	BIPRPPR
Job to run the mqsireportflowuserexits command	BIPRPUE
Job to define a data source, user ID, and password for user data sources.	BIPSDBP
(started task). Rename BIPBRKP to <b>the same as the ++STARTEDTASKNAME++</b> . "Sample BIPBRKP file" on page 652 lists the shipped BIPBRKP file.	BIPBRKP

Use the standard z/OS IPCS facilities to take a dump. You require access to the following:

- COMPONENT\_PDSE
- ComponentDirectory
- SYS1.MIGLIB
- SYS1.SBLSCLI0
- SYS1.PARMLIB
- IPCS

## Contents of the User Name Server PDSE

After successfully customizing the User Name Server, the members in your User Name Server PDSE are as follows:

### User Name Server PDSE members originating in <hlq>.SBIPSAMP

Description	Name
User Name Server profile "Sample BIPUPROF file" on page 679 lists the shipped BIPUPROF file.	BIPUROF

### User Name Server PDSE members originating in <hlq>.SBIPPROC

Description	Name
-------------	------

Commented sample job to identify WebSphere MQ resources, including queues for performance tuning purposes	BIPALMQ
Job to run the mqsichangeusernameserver command.	BIPCHUN
Job to run the mqsicreateusernameserver command to: <ul style="list-style-type: none"> <li>• Create the WebSphere MQ resources</li> <li>• Create the User Name Server registry</li> </ul> “Sample BIPCRUN file” on page 672 lists the shipped BIPCRUN file.	BIPCRUN
Job to run the mqsdeleteusernameserver command.	BIPDLUN
Edit macro for customization. Rename BIPEDIT to a unique name that identifies it to the current component; for example, MQ01EDUN. “Sample BIPEDIT file” on page 674 lists the shipped BIPEDIT file.	BIPEDIT
Job to run the mqsiformatlog command.	BIPFMLG
Generate ENVFILE. “Sample BIPGEN file” on page 675 lists the shipped BIPGEN file.	BIPGEN
Job to run the mqsilist command.	BIPLIST
Job to run the mqsireadlog command.	BIPRELG
Started task. Rename BIPUNSP to <b>the same as the ++STARTEDTASKNAME++</b> . “Sample BIPUNSP file” on page 677 lists the shipped BIPUNSP file.	BIPUNSP

Use the standard z/OS IPCS facilities to take a dump. You require access to the following:

- COMPONENT\_PDSE
- ComponentDirectory
- SYS1.MIGLIB
- SYS1.SBLSCLI0
- SYS1.PARMLIB
- IPCS

### Contents of the Configuration Manager PDSE

Descriptions of the Configuration Manager PDSE members originating in <hlq>. SBIPSAMP and <hlq>.SBIPPROC are detailed in this topic.

After you have customized the Configuration Manager, the members in your PDSE are as follows:

### Configuration Manager PDSE members originating in <hlq>.SBIPSAMP

Description	Name
Configuration Manager profile “Sample BIPCPROF file” on page 659 lists the shipped BIPCPROF file.	BIPCPROF

## Configuration Manager PDSE members originating in <hlq>.SBIPPROC

Description	Name
Commented sample job to identify WebSphere MQ resources, including queues for performance tuning purposes	BIPALMQ
Job to run the mqsibackupconfigmgr command	BIPBUCM
Job to run the mqsichangeconfigmgr command	BIPCHCM
Job to run the mqsicreateaclentry command	BIPCRACL
Job to run the mqsicreateconfigmgr command to: <ul style="list-style-type: none"> <li>• Create the WebSphere MQ resources</li> <li>• Create the Configuration Manager registry</li> </ul> “Sample BIPCRCM file” on page 662 lists the shipped BIPCRCM file.	BIPCRCM
Job to run the mqsicreateexecutiongroup command	BIPCREG
Job to run the mqsideleteaclentry command	BIPDLACL
Job to run the mqsideleteconfigmgr command	BIPDLCM
Job to run the mqsideleteexecutiongroup command	BIPDLEG
Job to run the mqsideploy command	BIPDPLY
Job to run the mqsiaapplybaroverride command	BIPOBAR
Job to run the mqsireadbar command	BIPRBAR
Edit macro for customization. Rename BIPEDIT to a unique name that identifies it to the current component; for example, MQ01EDCM. “Sample BIPEDIT file” on page 674 lists the shipped BIPEDIT file.	BIPEDIT
Job to run the mqsiformatlog command	BIPFMLG
Job to convert BIPCPROF profile to a valid ENVFILE. “Sample BIPGEN file” on page 675 lists the shipped BIPGEN file.	BIPGEN
Job to run the mqsilistaclentry command	BIPLIACL
Job to run the mqsilist command	BIPLIST
Job to run the mqsireadlog command	BIPRELG
Job to run the mqsireloadsecurity command	BIPRLSEC
Job to run the mqsirestoreconfigmgr command	BIPRSCM
Job to run the mqsistopmsgflow command	BIPSPMF
Job to run the mqsistartmsgflow command	BIPSTMF
Started task. Rename BIPCMGRP to the same as the <b>++STARTEDTASKNAME++</b> . “Sample BIPCMGRP file” on page 657 lists the shipped BIPCMGRP file.	BIPCMGRP

Use the standard z/OS IPCS facilities to create a memory dump. You require access to these resources:

- COMPONENT\_PDSE
- ComponentDirectory
- SYS1.MIGLIB

- SYS1.SBLSCLI0
- SYS1.PARMLIB
- IPCS

## z/OS JCL variables

The following table lists the JCL variables that you can customize in BIPEDIT, in alphabetical order, together with a description and an example value. For JCL variables that apply to specific commands, see the information that relates to that command.

JCL variable	Description	Example value	Corresponding value in BIPEDIT
++COMPONENTDATASET++	The dataset where all JCL relevant to a particular component is saved.	TESTDEV.MQP1BRK.BROKER	componentdataset_value
++COMPONENTDIRECTORY++	The file system directory where the component exists. This directory includes subdirectories, for example, /log and /registry	mqs1/brokers/MQP1BRK	compdir_value
++COMPONENTNAME++	The name you give the component when you create it.	MQP1BRK	MQ01BRK
++COMPONENTPROFILE++	Profile name.	BIPBPROF, BIPCPROF, or BIPUPROF	componentprofile_value
++DB2BUFFERPOOL++	The name of the DB2 buffer pool associated with the component for which the JCL is submitted.	BP0	BP0
++DB2CONVERSION++	Specifies the DB2 Converter.	SINGLE	SINGLE
++DB2CURRENTSQLID++	The DB2 user ID for the component and commands.	MQP1BRK	MQ01GRP
++DB2DATABASE++	The name of the DB2 database associated with the component for which the JCL is submitted.	DMQP1BRK	DMQ01BRK
++DB2HLQ++	DB2 high-level-qualifier	SYS2.DB2.V810	SYS2.DB2.V810
++DB2INDEXBP++	DB2 index buffer pool	BP0	BP0
++DB2LOBBP++	DB2 LOB table buffer pool	BP0	BP0
++DB2LOCATION++	The DB2 location value of the DB2 subsystem to which the component connects.	DSN810PK	db2location_value
++DB2DSNACLIPLAN++	The DB2 plan name.	DSNACLI	dsnacli_plan
++DB2RUNLIB++	The DB2 run library value.	DSN810PK.RUNLIB.LOAD	runlib_value
++DB2SAMPLEPROGRAM++	Sample program to run SQL statements dynamically.	DSNTEP2	sampleprogram_value
++DB2SAMPLEPROGRAMPLAN++	Plan required for sample program.	DSNTEP81	sampleprogramplan_value
++DB2STORAGEGROUP++	The name of the DB2 storage group associated with the component for which the JCL is submitted.	MQP1STOR	MQ01STOR
++DB2SUBSYSTEM++	The DB2 subsystem ID which the component connects.	DFK4	dbdsystem_value
++DB2TABLEOWNER++	Broker tables schema name.	MQP1BRK	MQ01GRP

JCL variable	Description	Example value	Corresponding value in BIPEDIT
++HOME++	The file system home directory for the component's user ID. This is required to dynamically generate the ENVFILE.  You must have the appropriate external security manager, for example RACF, authorities to write to this file system directory when submitting JCL to run a command.	/u/mqp1brk	/u/mq01brk
++INSTALL++	The directory where you install the product.	/usr/lpp/mqsi	install_value
++JAVA++	Location of Java installation.	/usr/lpp/java/IBM/J1.5	/usr/lpp/java/IBM/J1.5
++LANGLETTER++	The letter for the language in which you want messages shown.	E (English)	E
++LOCALE++	Locale of environment where commands are run by submitting JCL.	C	C
++MQPATH++	WebSphere MQ location.	/usr/lpp/mqm	/usr/lpp/mqm
++OPTIONS++	Many commands submitted by JCL require additional options. See each command's reference material for additional information on options specific to that command.	N/A	options_value
++QUEUEMANAGER++	The name of the QueueManager associated with the component for which you submit the JCL.	MQP1	MQ01
++STARTEDTASKNAME++	Name of the Started Task JCL. This can be a maximum of 8 characters.	MQP1BRK	MQ01BRK
++TIMEZONE++	Time zone of environment where commands are run by submitting JCL.	GMT0BST	GMT0BST
++WMQHLQ++	WebSphere MQ high-level-qualifier	MQM.V600	MQM.V600
++XMLTOOLKIT++	IBM XML Toolkit location	/usr/lpp/ixm/IBM/xml4c-5_6	/usr/lpp/ixm/IBM/xml4c-5_6

## z/OS sample files supplied

The following files are provided as sample source that you can customize:

- "Sample BIPBPROF file" on page 647
- "Sample BIPBRKP file" on page 652
- "Sample BIPCBRK file" on page 655
- "Sample BIPCMGRP file" on page 657
- "Sample BIPCPROF file" on page 659
- "Sample BIPCRCM file" on page 662
- "Sample BIPCRDB file" on page 663
- "Sample BIPCRUN file" on page 672
- "Sample BIPDSNAO file" on page 673

- “Sample BIPEDIT file” on page 674
- “Sample BIPGEN file” on page 675
- “Sample BIPUNSP file” on page 677
- “Sample BIPUPROF file” on page 679

## Sample BIPBPROF file

```

*****
#*                                                                 *
#* @START_COPYRIGHT@                                           *
#*                                                                 *
#* Licensed Materials - Property of IBM;                       *
#* 5655-G97 (c) Copyright IBM Corp. 2004;                     *
#* All Rights Reserved;                                         *
#* US Government Users Restricted Rights - use,                *
#* duplication or disclosure restricted by GSA                  *
#* ADP Schedule Contract with IBM Corp.;                       *
#* See Copyright Instructions                                    *
#*                                                                 *
#* @END_COPYRIGHT@                                             *
#*                                                                 *
*****
#*           IBM WebSphere Event/Message Brokers                *
#*                                                                 *
#* Sample profile for a broker.                                  *
#*                                                                 *
*****
#* MORE INFORMATION - See:                                     *
#*                                                                 *
#*   WebSphere Event/Message Brokers Information Centre.        *
#*                                                                 *
#* IMPORTANT:                                                 *
#*                                                                 *
#*   You must submit BIPGEN each time you update this profile! *
#*                                                                 *
*****
#* CUSTOMIZE HERE FOR YOUR INSTALLATION                        *
#* YOU MUST DO GLOBAL CHANGES ON THESE PARAMETERS USING YOUR EDITOR *
#*                                                                 *
#*   Replace  ++INSTALL++                                     *
#*             WBI Brokers installation directory.              *
#*             e.g. '/usr/lpp/mqsi'                              *
#*                                                                 *
#*   Replace  ++COMPONENTDIRECTORY++                          *
#*             Broker directory.                                *
#*             e.g. '/mqsi/brokers/MQ01BRK'                      *
#*                                                                 *
#*   Replace  ++COMPONENTDATASET++                             *
#*             Component dataset.                               *
#*             e.g. 'BIP.BROKER.MQ01BRK'                         *
#*                                                                 *
#*   Replace  ++COMPONENTNAME++                                *
#*             Broker name.                                     *
#*             e.g. 'MQ01BRK'                                    *
#*                                                                 *
#*   Replace  ++LOCALE++                                       *
#*             Locale.                                         *
#*             e.g. 'C'                                          *
#*                                                                 *
#*   Replace  ++TIMEZONE++                                     *
#*             Time zone.                                       *
#*             e.g. 'GMT0BST'                                    *
#*                                                                 *
#*   Replace  ++JAVA++                                         *
#*             Java location.                                    *
#*             e.g. '/usr/lpp/java/IBM/J1.5'

```

```

##
## Replace ++XMLT00LKIT++
##           IBM XML Toolkit location.
##           e.g. '/usr/lpp/ixm/IBM/xml4c-5_6'
##
## Replace ++DB2CONVERSION++
##           Specifies the DB2 Converter.
##           e.g. 'SINGLE'
##
## Replace ++DB2DATABASE++
##           Needed by the mqsicreatebroker command to
##           determine the DB2 database.
##           e.g. 'DMQ01BRK'
##
## Replace ++DB2STORAGEGROUP++
##           Needed by the mqsicreatebroker command to
##           determine the DB2 storagegroup.
##           e.g. 'MQ01STOR'
##
*****
# 1. Component Settings
*****
#
# 1.1 MQSI_REGISTRY references the component path. Also needed by
#      commands.
#      e.g. MQSI_REGISTRY=/mqsi/brokers/MQ01BRK
#
# 1.2 MQSI_COMPONENT_NAME is set to the broker name.
#      e.g. MQSI_COMPONENT_NAME=MQ01BRK
#
# 1.3 MQSI_FILEPATH needed by commands to reference the component
#      version install path.
#      e.g. MQSI_FILEPATH=usr/lpp/mqsi/V6R0M0
#
# 1.4 MQSI_LILPATH32 needed by components to find LILs
#      e.g. MQSI_LILPATH32=usr/lpp/mqsi/V6R0M0/li1
#
# 1.5 MQSI_SECURITY_PROVIDER_PATH32 needed by components to find LSLs
#      e.g. MQSI_SECURITY_PROVIDER_PATH32=usr/lpp/mqsi/V6R0M0/SecurityProviders
#
export MQSI_REGISTRY=++COMPONENTDIRECTORY++
export MQSI_COMPONENT_NAME=++COMPONENTNAME++
export MQSI_FILEPATH=++INSTALL++
export MQSI_LILPATH32=$MQSI_FILEPATH/li1
export MQSI_SECURITY_PROVIDER_PATH32=$MQSI_FILEPATH/SecurityProviders

*****
# 2. NLS Settings
*****
#
# 2.1 LANG and LC_ALL determine in which locale the component
#      will run.
#      e.g. LANG=Ja_JP.IBM-939 and LC_ALL=Ja_JP.IBM-939 for
#           japanese locale.
#           LANG=C, LC_ALL=C for US English locale.
#
# 2.2 TZ has the timezone setting in which you are located.
#      e.g. TZ=EST5           for USA Eastern Standard Time
#           TZ=MEZ-1MES,M3.5.0,M10.5.0 for Central Europe
#           TZ=GMT0BST       for the UK
#           Please refer to the IBM Manual
#           "Unix System Services Command Reference SC28-1892.
#
# 2.3 NLSPATH contains the location of the message catalog(s).
#      (NO NEED TO CHANGE FROM DEFAULT!)
#

```



```

# 2.4 MQSI_CONSOLE_NLSPATH is used to locate the messages for
# the console.
# For Japanese or S-Chinese messages, change En_US to
# Ja_JP or Zh_CN below. For English messages these can be
# displayed in mixed or upper case only. (see MC_MESSAGES)
# Note that MQSI_CONSOLE_NLSPATH does not use %L or %N
#
export LANG=++LOCALE++
export LC_ALL=++LOCALE++
export TZ=++TIMEZONE++
export NLSPATH=$MQSI_FILEPATH/messages/%L/%N
export NLSPATH=$NLSPATH:$MQSI_FILEPATH/nnsy/MIF/messages/%N
export MQSI_CONSOLE_NLSPATH=$MQSI_FILEPATH/messages/En_US

*****
# 3. Automatic Restart Management (ARM) Settings
*****
#
# 3.1 MQSI_USE_ARM specifies whether to use ARM.
# e.g. MQSI_USE_ARM=YES for ARM enabled.
# MQSI_USE_ARM=NO for ARM not enabled.
#
# 3.2 MQSI_ARM_ELEMENTNAME required if ARM enabled.
#
# 3.3 MQSI_ARM_ELEMENTTYPE required if ARM enabled.
#
export MQSI_USE_ARM=NO
export MQSI_ARM_ELEMENTNAME=++COMPONENTNAME++
export MQSI_ARM_ELEMENTTYPE=

*****
# 4. DB2 Settings
*****
#
# 4.1 MQSI_DB2_ALWAYS_PREPARE
# (NO NEED TO CHANGE FROM DEFAULT!)
#
# 4.2 MQSI_DB2_CONVERSION specifies the DB2 Converter.
# e.g. MQSI_DB2_CONVERSION=SINGLE
# WBIMB uses a SQL_EBCDIC_SCCSID to determine
# the DB2 converter.
# Note that this setting reflects the current
# WBIMB behavior.
# MQSI_DB2_CONVERSION=MIXED
# WBIMB uses SQL_EBCDIC_MCCSID to determine
# the DB2 converter.
# Note that this setting requires that DB2 is
# configured to accept mixed byte data. This
# setting should be used when the customer
# wants data to be stored in the configured
# DB2 EBCDIC mixed byte code page.
# MQSI_DB2_CONVERSION=LOCAL
# WBIMB uses localConverter identified by
# LC_ALL/LANG settings. This complies to what
# is done on distributed. This setting
# requires that WBIMB and DB2 are using the same
# codepage, otherwise only WBIMB can read DB2
# data correctly, it gets unreadable for other
# ( non-WBIMB ) applications that want to read
# the data.
#
# 4.3 MQSI_DB2_DATABASE needed by the mqsicreatebroker command to
# determine the DB2 database.
# e.g. MQSI_DB2_DATABASE=DMQ01BRK
#

```

```

# 4.4 MQSI_DB2_STORAGEGROUP needed by the mqsicreatebroker command
# to determine the DB2 storagegroup.
# e.g. MQSI_DB2_STORAGEGROUP=MQ01STOR
#
# 4.5 DSNAOINI references the component dsnaoini file.
# (NO NEED TO CHANGE FROM DEFAULT!)
#
export MQSI_DB2_ALWAYS_PREPARE=NO
export MQSI_DB2_CONVERSION=++DB2CONVERSION++
export MQSI_DB2_DATABASE=++DB2DATABASE++
export MQSI_DB2_STORAGEGROUP=++DB2STORAGEGROUP++
export DSNAOINI=/\'+COMPONENTDATASET+\(BIPDSNAO)\\'

```

```

*****
# 5. Java Settings
*****

```

```

# 5.1 JAVAHOME contains the root directory of the JAVA install.
# e.g. JAVAHOME=/usr/lpp/java/IBM/J1.5
# Note that the Java version must be at least 1.5.0
#
export JAVAHOME=++JAVA++

```

```

*****
# 6. DistHub Settings
*****

```

```

# 6.1 DISTHUB_PATH is the path to DistHub product executables
# (NO NEED TO CHANGE DEFAULT UNLESS USING A NON-STANDARD
# INSTALLATION PATH FOR DISTHUB!)
#
export DISTHUB_PATH=$MQSI_FILEPATH

```

```

*****
# 7. Message Broker with Rules and Formatter Extensions Settings
*****

```

```

# 7.1 NNSY_ROOT references NNSY executables.
# (NO NEED TO CHANGE FROM DEFAULT!)
#
# 7.2 NNSY_CATALOGUES references NNSY catalogues.
# (NO NEED TO CHANGE FROM DEFAULT!)
#
# 7.3 NN_CONFIG_FILE_PATH default location of nnsyreg.dat
# configuration file.
# Regardless of where NN_CONFIG_FILE_PATH points, the first
# place that will be checked for the nnsyreg.dat files, is
# $MQSI_FILEPATH/bin. Any nnsyreg.dat file in this directory
# will be used, even if another exists in the location pointed
# to by the NN_CONFIG_FILE_PATH environment variable. It is
# recommended that any instances of the nnsyreg.dat in the
# $MQSI_FILEPATH/bin directory be removed, and placed in
# environment specific locations, to preserve multi-user
# capability.
# e.g. NN_CONFIG_FILE_PATH=/usr/lpp/NNSY/bin
#
# See documentation supplied with Rules and Formatter
# Extensions for further information.
#
export NNSY_ROOT=$MQSI_FILEPATH/nnsy
export NNSY_CATALOGUES=$MQSI_FILEPATH/nnsy/NNSYCatalogues/en_US
export NN_CONFIG_FILE_PATH=

```

```

*****

```

```

# 8. WBI Broker Settings
#*****
#
# 8.1 _BPX_BATCH_SPAWN
# (MUST NOT CHANGE FROM DEFAULT!)
#
# 8.2 MQSI_MC_MESSAGES determines if messages should appear in
# mixed case or upper case.
# e.g. MQSI_MC_MESSAGES=YES for mixed case
# MQSI_MC_MESSAGES=NO for upper case
#
# 8.3 MQSI_COMMAND_DATABASE_ECHO if defined, mqsi commands
# display information when creating DB2 tables/indexes.
#
# 8.4 MQSI_COMMAND_ZOS_MQ_ECHO if defined, mqsi commands display
# information returned from the MQ command server when
# creating/deleting queues.
#
# 8.5 MQSI_COMMAND_ZOS_MQ_ECHO_RC if defined, mqsi commands display
# reason and return codes from the MQ command server when
# creating/deleting queues.
#
# 8.6 MQSI_DEPLOY_PROGRESS if defined, shows deployment progress
# by the execution group
#
# 8.7 STEPLIB
# (MUST NOT CHANGE FROM DEFAULT!)
#
export _BPX_BATCH_SPAWN=NO
export MQSI_MC_MESSAGES=NO
export MQSI_COMMAND_DATABASE_ECHO=1
export MQSI_COMMAND_ZOS_MQ_ECHO=1
export MQSI_COMMAND_ZOS_MQ_ECHO_RC=1
export MQSI_DEPLOY_PROGRESS=1
export STEPLIB=CURRENT

#*****
# 9. Other Settings
#*****
#
# NO NEED TO CHANGE FROM DEFAULT!
#
CP=$MQSI_FILEPATH/classes
CP=$CP:$MQSI_FILEPATH/classes/config.jar
CP=$CP:$MQSI_FILEPATH/classes/ConfigManagerProxy.jar
CP=$CP:$MQSI_FILEPATH/classes/ConfigManagerProxySamples.jar
CP=$CP:$MQSI_FILEPATH/classes/configutil.jar
CP=$CP:$JAVAHOME/lib
CP=$CP:$MQSI_FILEPATH/messages
export CLASSPATH=$CP
export ICU_DATA=$MQSI_FILEPATH/nnsy/lib
XMLTOOLKIT=++XMLTOOLKIT++
LP=$MQSI_FILEPATH/lib/wbirf
LP=$LP:$MQSI_FILEPATH/lib/wbimb
LP=$LP:$MQSI_FILEPATH/lib
LP=$LP:$MQSI_FILEPATH/nnsy/lib
LP=$LP:$MQSI_FILEPATH/nnsy/MIF/lib
LP=$LP:$JAVAHOME/lib
LP=$LP:$JAVAHOME/bin
LP=$LP:$JAVAHOME/bin/classic
LP=$LP:$XMLTOOLKIT/lib
export LIBPATH=$LP
export PATH=$MQSI_FILEPATH/bin
export PATH=$PATH:$MQSI_FILEPATH/nnsy/bin
export PATH=$PATH:/bin
export PATH=$PATH:$JAVAHOME/bin

```

Note that the NNSY values apply only if you are using the Rules and Formatter Extension. You should read the documentation supplied with this feature for further information.

### Sample BIPBRKP file

```
//*****
//*
//* @START_COPYRIGHT@
//*
//* Licensed Materials - Property of IBM;
//* 5655-G97 (c) Copyright IBM Corp. 2004;
//* All Rights Reserved;
//* US Government Users Restricted Rights - use,
//* duplication or disclosure restricted by GSA
//* ADP Schedule Contract with IBM Corp.;
//* See Copyright Instructions
//*
//* @END_COPYRIGHT@
//*
//*****
//*          IBM WebSphere Event/Message Brokers
//*
//* Sample job to start a broker.
//*
//*****
//* MORE INFORMATION - See:
//*
//*   WebSphere Event/Message Brokers Information Centre.
//*
//*****
//* CUSTOMIZE THIS JCL HERE FOR YOUR INSTALLATION
//* YOU MUST DO GLOBAL CHANGES ON THESE PARAMETERS USING YOUR EDITOR
//*
//*   Replace  ++HOME++
//*             Home directory where ENVFILE and STDERR
//*             and STDOUT files will be created.
//*             e.g. '/u/home'
//*
//*   Replace  ++INSTALL++
//*             WBI Brokers installation directory.
//*             e.g. '/usr/lpp/mqsi'
//*
//*   Replace  ++QUEUEMANAGER++
//*             Queue manager name.
//*             e.g. 'MQ01'
//*
//*   Replace  ++COMPONENTDIRECTORY++
//*             Broker directory.
//*             e.g. '/mqsi/brokers/MQ01BRK'
//*
//*   Replace  ++STARTEDTASKNAME++
//*             Started Task Name (max 8 chars uppercase).
//*             e.g. 'MQ01BRK'
//*
//*   Replace  ++COMPONENTDATASET++
//*             Broker dataset.
//*             e.g. 'BIP.BROKER.MQ01BRK'
//*
//*   Replace  ++DB2HLQ++
//*             DB2 high-level-qualifier.
//*             e.g. 'SYS2.DB2.V810'
//*
//*   Replace  ++DB2RUNLIB++
//*             DB2.
//*             e.g. 'DSN810PK.RUNLIB.LOAD'
//**
```

```

/** Replace ++WMQHLQ++
/**      WebSphere MQ high-level-qualifier.
/**      e.g. 'MQM.V600'
/**
/** Replace ++WMBHLQ++
/**      WebSphere Message Broker
/**      high-level-qualifier.
/**
/**      ONLY NEEDED IF USING EVENT NOTIFICATION
/**
/**      e.g. 'MB.V6R0M0'
/**
/*******
/**
/** Following variables are changed when starting a DataFlowEngine:
/** Semaphore ID
/** SE=&lt;Semaphore ID&gt; (default is '')
/** Shared Memory Segment ID
/** SH=&lt;Shared Memory Segment ID&gt; (default is '')
/** Component Unique Name
/** COMPK='' (default is ++STARTEDTASKNAME++)
/** Start Parameter
/** STRTP='' (default is 'AUTO')
/**
/*******
/**
/**++STARTEDTASKNAME++ PROC INSTP='++INSTALL++',
/**     MAINP='bipimain',
/**     SRVMP='bipservice',
/**     COMPK='++STARTEDTASKNAME++',
/**     COMDS='++COMPONENTDATASET++',
/**     STRTP='AUTO',
/**
/**     COMPDIR='++COMPONENTDIRECTORY++',
/**     SE='',
/**     SH='',
/**     HOME='++HOME++',
/**     DB2HLQ='++DB2HLQ++',
/**     WMQHLQ='++WMQHLQ++'
/**
/*******
/** Copy ENVFILE to SYSOUT
/*******
/**
/**COPYENV EXEC PGM=IKJEFT01,
/**     PARM='OCOPY INDD(BIPFROM) OUTDD(ENVFILE)'
/**SYSTSPRT DD DUMMY
/**BIPFROM DD PATHOPTS=(ORDONLY),
/**     PATH='&HOME./ENVFILE'
/**ENVFILE DD SYSOUT=*,DCB=(RECFM=V,LRECL=256)
/**SYSTSIN DD DUMMY
/**
/*******
/** Copy DSNAOINI to SYSOUT
/*******
/**
/**COPYDSN EXEC PGM=IKJEFT01,
/**     PARM='OCOPY INDD(BIPFROM) OUTDD(DSNAOINI)'
/**SYSTSPRT DD DUMMY
/**BIPFROM DD DISP=SHR,DSN=&COMDS.(BIPDSNAO)
/**DSNAOINI DD SYSOUT=*,DCB=(RECFM=V,LRECL=256)
/**SYSTSIN DD DUMMY
/**
/*******
/** Test to see if starting a DataFlowEngine address space.
/** Should return RC=0 if starting a Control address space or
/** UserNameServer address space, RC=12 if starting a DataFlowEngine
/** address space.

```

```

//*****
//*
//CHECKDFE EXEC PGM=IKJEFT01,
//      PARM='LISTDS '&COMDS.&SE. ''
//SYSTSIN DD DUMMY
//SYSTSPRT DD DUMMY
//SYSMDUMP DD SYSOUT=*
//*
//      IF (RC=0) THEN
//
//*****
//* Broker DB2 and MQ verification
//*****
//*
//VFYDB2MQ EXEC PGM=BPXBATSL,REGION=0M,TIME=NOLIMIT,
//      PARM='PGM &INSTP./bin/mqsicvp b ++QUEUEMANAGER++'
//*
//DB2 Runtime Libraries
//STEPLIB DD DISP=SHR,DSN=&DB2HLQ..SDSNEXIT
//      DD DISP=SHR,DSN=&DB2HLQ..SDSNLOAD
//      DD DISP=SHR,DSN=&DB2HLQ..SDSNLOAD2
//      DD DISP=SHR,DSN=++DB2RUNLIB++
//*
//MQSeries Runtime Libraries
//      DD DISP=SHR,DSN=&WMQHLQ..SCSQANLE
//      DD DISP=SHR,DSN=&WMQHLQ..SCSQAUTH
//      DD DISP=SHR,DSN=&WMQHLQ..SCSQLOAD
//STDENV DD PATH='&HOME./ENVFILE'
//STDOUT DD SYSOUT=*
//STDERR DD SYSOUT=*
//SYSMDUMP DD SYSOUT=*
//*
//      ENDIF
//
//*****
//* Check RCs from previous steps
//*****
//*
//      IF (CHECKDFE.RC NE 0) OR
//      (VFYDB2MQ.RC EQ 0) THEN
//*
//*****
//* Step to delete residual locks
//* (this is only needed if the broker is ARM enabled)
//*****
//*
//*RMLOCKS EXEC PGM=BPXBATCH,REGION=0M,TIME=NOLIMIT,
//*      PARM='SH rm -f &COMPDIR./common/locks/*'
//*
//*****
//* Start either :
//* Control Address Space (bipimain, bipservice and bipbroker)
//* DataFlowEngine Address Space (bipimain and DataFlowEngine)
//*****
//*
//BROKER EXEC PGM=BPXBATA8,REGION=0M,TIME=NOLIMIT,
//      PARM='PGM &INSTP./bin/&MAINP. &SRVMP. &SE. &SH. &COMPK.
//      &STRTP.'
//*
//DB2 Runtime Libraries
//STEPLIB DD DISP=SHR,DSN=&DB2HLQ..SDSNEXIT
//      DD DISP=SHR,DSN=&DB2HLQ..SDSNLOAD
//      DD DISP=SHR,DSN=&DB2HLQ..SDSNLOAD2
//      DD DISP=SHR,DSN=++DB2RUNLIB++
//*
//MQSeries Runtime Libraries
//      DD DISP=SHR,DSN=&WMQHLQ..SCSQANLE
//      DD DISP=SHR,DSN=&WMQHLQ..SCSQAUTH
//      DD DISP=SHR,DSN=&WMQHLQ..SCSQLOAD
//*
//      APF Authorized Library of Message Broker
//*
//      Required if using Event Notification

```

```

/**      (All librarys in concatenation
/**      need to be APF authorized)
/**      DD DISP=SHR,DSN=++WMBHLQ++.SBIPAUTH
//STDENV DD PATH='&HOME./ENVFILE'
//STDOUT DD SYSOUT=*
//STDERR DD SYSOUT=*
//SYSMDUMP DD SYSOUT=*
/**
//      ENDIF
/**
/**-----
//      PEND
/**-----
/**
//

```

### Sample BIPCBRK file

```

//BIPCBRK JOB
//*****
/**
/** @START_COPYRIGHT@
/**
/** Licensed Materials - Property of IBM;
/** 5655-G97 (c) Copyright IBM Corp. 2004;
/** All Rights Reserved;
/** US Government Users Restricted Rights - use,
/** duplication or disclosure restricted by GSA
/** ADP Schedule Contract with IBM Corp.;
/** See Copyright Instructions
/**
/** @END_COPYRIGHT@
/**
/**-----
/**      IBM WebSphere Event/Message Brokers
/**
/** Sample job to create a broker (mqsicreatebroker).
/**
/**-----
/** MORE INFORMATION - See:
/**
/** WebSphere Event/Message Brokers Information Centre.
/** Topic "an07080"
/**
/**-----
/** CUSTOMIZE THIS JCL HERE FOR YOUR INSTALLATION
/** YOU MUST DO GLOBAL CHANGES ON THESE PARAMETERS USING YOUR EDITOR
/**
/** Replace ++HOME++
/**      Home directory where ENVFILE and STDERR
/**      and STDOUT files will be created.
/**      e.g. '/u/home'
/**
/** Replace ++INSTALL++
/**      WBI Brokers installation directory.
/**      e.g. '/usr/lpp/mqsi'
/**
/** Replace ++COMPONENTNAME++
/**      Broker name.
/**      e.g. 'MQ01BRK'
/**
/** Replace ++QUEUEMANAGER++
/**      Queue manager name.
/**      e.g. 'MQ01'
/**
/** Replace ++DB2TABLEOWNER++
/**      DB2 table owner userid.
/**      e.g. 'MQ01BRK'

```

```

/**
/** Replace ++DB2LOCATION++
/**         DB2 location.
/**         e.g. 'DSN810PK'
/**
/** Replace ++OPTIONS++
/**         Options for mqsicreatebroker command.
/**         e.g. '-1'
/**
/**         z/OS specific options are
/**         -1 Registry pass only
/**           This creates the broker directory.
/**         -2 MQ pass only
/**           This creates the broker MQ queues.
/**         -3 DB2 pass only
/**           This creates the broker tables/indexes.
/**
/**         Please see documentation for other options.
/**
/** Replace ++DB2HLQ++
/**         DB2 high-level-qualifier.
/**         e.g. 'SYS2.DB2.V810'
/**
/** Replace ++WMQHLQ++
/**         WebSphere MQ high-level-qualifier.
/**         e.g. 'MQM.V600'
/**
/*******
/**
/*******
/** Copy ENVFILE to SYSOUT
/*******
/**
/**COPYENV EXEC PGM=IKJEFT01,
/**        PARM='OCOPY INDD(BIPFROM) OUTDD(ENVFILE)'
/**SYSTSPRT DD DUMMY
/**BIPFROM DD PATHOPTS=(ORDONLY),
/**        PATH='++HOME++/ENVFILE'
/**ENVFILE DD SYSOUT=*,DCB=(RECFM=V,LRECL=256)
/**SYSTSIN DD DUMMY
/**
/*******
/** Run mqsicreatebroker command
/*******
/**
/**BIPCRBK EXEC PGM=IKJEFT01,REGION=0M
/**
/** DB2 Runtime Libraries
/**STEPLIB DD DISP=SHR,DSN=++DB2HLQ++.SDSNEXIT
/**        DD DISP=SHR,DSN=++DB2HLQ++.SDSNLOAD
/**        DD DISP=SHR,DSN=++DB2HLQ++.SDSNLOAD2
/**
/** MQSeries Runtime Libraries
/**        DD DISP=SHR,DSN=++WMQHLQ++.SCSQANLE
/**        DD DISP=SHR,DSN=++WMQHLQ++.SCSQAUTH
/**        DD DISP=SHR,DSN=++WMQHLQ++.SCSQLOAD
/**STDENV DD PATHOPTS=(ORDONLY),
/**        PATH='++HOME++/ENVFILE'
/**STDOUT DD SYSOUT=*
/**STDERR DD SYSOUT=*
/**SYSTSPRT DD SYSOUT=*
/**SYSTSIN DD *
BPXBATSL PGM -
  ++INSTALL++/bin/-
mqsicreatebroker -
  ++COMPONENTNAME++ -
  -q ++QUEUEMANAGER++ -
  -u ++DB2TABLEOWNER++ -

```



```

-n ++DB2LOCATION++ -
++OPTIONS++
/*
//

```

## Sample BIPCMGRP file

```

//*****
//*
//* @START_COPYRIGHT@
//*
//* Licensed Materials - Property of IBM;
//* 5655-G97 (c) Copyright IBM Corp. 2004;
//* All Rights Reserved;
//* US Government Users Restricted Rights - use,
//* duplication or disclosure restricted by GSA
//* ADP Schedule Contract with IBM Corp.;
//* See Copyright Instructions
//*
//* @END_COPYRIGHT@
//*
//*****
//*          IBM WebSphere Event/Message Brokers
//*
//* Sample job to start a configmgr.
//*
//*****
//* MORE INFORMATION - See:
//*
//*   WebSphere Event/Message Brokers Information Centre.
//*
//*****
//* CUSTOMIZE THIS JCL HERE FOR YOUR INSTALLATION
//* YOU MUST DO GLOBAL CHANGES ON THESE PARAMETERS USING YOUR EDITOR
//*
//*   Replace   ++HOME++
//*             Home directory where ENVFILE and STDERR
//*             and STDOUT files will be created.
//*             e.g. '/u/home'
//*
//*   Replace   ++INSTALL++
//*             WBI Brokers installation directory.
//*             e.g. '/usr/lpp/mqsi'
//*
//*   Replace   ++QUEUEMANAGER++
//*             Queue manager name.
//*             e.g. 'MQ01'
//*
//*   Replace   ++COMPONENTDIRECTORY++
//*             ConfigMgr directory.
//*             e.g. '/mqsi/configmgr/MQ01BRK'
//*
//*   Replace   ++STARTEDTASKNAME++
//*             Started Task Name (max 8 chars uppercase).
//*             e.g. 'MQ01CMGR'
//*
//*   Replace   ++WMQHLQ++
//*             WebSphere MQ high-level-qualifier.
//*             e.g. 'MQM.V600'
//*****
//*
//*++STARTEDTASKNAME++ PROC INSTP='++INSTALL++',
//*   MAINP='bipimain',
//*   SRVMP='bipservice',
//*   COMPK='++STARTEDTASKNAME++',
//*   STRTP='AUTO',
//*   COMPDIR='++COMPONENTDIRECTORY++',

```

```

//      HOME='++HOME++',
//      WMQHLQ='++WMQHLQ++'
//*
//*****
//* Copy ENVFILE to SYSOUT
//*****
//*
//COPYENV EXEC PGM=IKJEFT01,
//      PARM='OCOPY INDD(BIPFROM) OUTDD(ENVFILE)'
//SYSTSPRT DD DUMMY
//BIPFROM DD PATHOPTS=(ORDONLY),
//      PATH='&HOME./ENVFILE'
//ENVFILE DD SYSOUT=*,DCB=(RECFM=V,LRECL=256)
//SYSTSIN DD DUMMY
//*
//*****
//* ConfigMgr MQ verification
//*****
//*
//VFYMQ EXEC PGM=BPXBATSL,REGION=0M,TIME=NOLIMIT,
//      PARM='PGM &INSTP./bin/mqsicvp c ++QUEUEMANAGER++'
//*
//MQSeries Runtime Libraries
//STEPLIB DD DISP=SHR,DSN=&WMQHLQ..SCSQANLE
//      DD DISP=SHR,DSN=&WMQHLQ..SCSQAUTH
//      DD DISP=SHR,DSN=&WMQHLQ..SCSQLOAD
//STDENV DD PATH='&HOME./ENVFILE'
//STDOUT DD SYSOUT=*
//STDERR DD SYSOUT=*
//SYSMDUMP DD SYSOUT=*
//*
//*****
//* Check RC from previous steps
//*****
//*
//      IF (RC=0) THEN
//*
//*****
//* Step to delete residual locks
//* (this is only needed if the configmgr is ARM enabled)
//*****
//*
//*RMLOCKS EXEC PGM=BPXBATCH,REGION=0M,TIME=NOLIMIT,
//*      PARM='SH rm -f &COMPDIR./common/locks/*'
//*
//*****
//* Start :
//* ConfigMgr Address Space (bipimain, bipservice and bipconfigmgr)
//*****
//*
//CMGR EXEC PGM=BPXBATA8,REGION=0M,TIME=NOLIMIT,
//      PARM='PGM &INSTP./bin/&MAINP. &SRVMP. &COMPK. &STRTP.'
//*
//MQSeries Runtime Libraries
//STEPLIB DD DISP=SHR,DSN=&WMQHLQ..SCSQANLE
//      DD DISP=SHR,DSN=&WMQHLQ..SCSQAUTH
//      DD DISP=SHR,DSN=&WMQHLQ..SCSQLOAD
//STDENV DD PATH='&HOME./ENVFILE'
//STDOUT DD SYSOUT=*
//STDERR DD SYSOUT=*
//SYSMDUMP DD SYSOUT=*
//*
//      ENDIF
//*
//*-----
//      PEND
//*-----
//*
//

```

## Sample BIPCPROF file

```
*****
#*
#* @START_COPYRIGHT@
#*
#* Licensed Materials - Property of IBM;
#* 5655-G97 (c) Copyright IBM Corp. 2004;
#* All Rights Reserved;
#* US Government Users Restricted Rights - use,
#* duplication or disclosure restricted by GSA
#* ADP Schedule Contract with IBM Corp.;
#* See Copyright Instructions
#*
#* @END_COPYRIGHT@
#*
#* IBM WebSphere Event/Message Brokers
#*
#* Sample profile for a configmgr.
#*
#* MORE INFORMATION - See:
#*
#* WebSphere Event/Message Brokers Information Centre.
#*
#* IMPORTANT:
#*
#* You must submit BIPGEN each time you update this profile!
#*
#* CUSTOMIZE HERE FOR YOUR INSTALLATION
#* YOU MUST DO GLOBAL CHANGES ON THESE PARAMETERS USING YOUR EDITOR
#*
#* Replace ++INSTALL++
#*           WBI Brokers installation directory.
#*           e.g. '/usr/lpp/mqsi'
#*
#* Replace ++COMPONENTDIRECTORY++
#*           Configmgr directory.
#*           e.g. '/mqsi/configmgr/MQ01CMGR'
#*
#* Replace ++COMPONENTNAME++
#*           ConfigMgr Name.
#*           e.g. 'MQ01CMGR'
#*
#* Replace ++LOCALE++
#*           Locale.
#*           e.g. 'C'
#*
#* Replace ++TIMEZONE++
#*           Time zone.
#*           e.g. 'GMT0BST'
#*
#* Replace ++JAVA++
#*           Java location.
#*           e.g. '/usr/lpp/java/IBM/J1.5'
#*
#* Replace ++XMLTOOLKIT++
#*           IBM XML Toolkit location.
#*           e.g. '/usr/lpp/ixm/IBM/xml4c-5_6'
#*
#* Replace ++MQPATH++
#*           MQ location.
#*           e.g. '/usr/lpp/mqm'
#*
#*
#* 1. Component Settings
```

```

#*****
#
# 1.1 MQSI_REGISTRY references the component path. Also needed by
#      commands.
#      e.g. MQSI_REGISTRY=/mqsi/configmgr/MQ01CMGR
#
# 1.2 MQSI_COMPONENT_NAME is set to the ConfigMgr name.
#      e.g. MQSI_COMPONENT_NAME=MQ01CMGR
#
# 1.3 MQSI_FILEPATH needed by commands to reference the component
#      version install path.
#      e.g. MQSI_FILEPATH=usr/lpp/mqsi/V6R0M0
#
export MQSI_REGISTRY=++COMPONENTDIRECTORY++
export MQSI_COMPONENT_NAME=++COMPONENTNAME++
export MQSI_FILEPATH=++INSTALL++

#*****
# 2. NLS Settings
#*****
#
# 2.1 LANG and LC_ALL determine in which locale the component
#      will run.
#      e.g. LANG=Ja_JP.IBM-939 and LC_ALL=Ja_JP.IBM-939 for
#           japanese locale.
#           LANG=C, LC_ALL=C for US English locale.
#
# 2.2 TZ has the timezone setting in which you are located.
#      e.g. TZ=EST5             for USA Eastern Standard Time
#           TZ=MEZ-1MES,M3.5.0,M10.5.0 for Central Europe
#           TZ=GMT0BST         for the UK
#           Please refer to the IBM Manual
#           "Unix System Services Command Reference SC28-1892.
#
# 2.3 NLSPATH contains the location of the message catalog(s).
#      (NO NEED TO CHANGE FROM DEFAULT!)
#
# 2.4 MQSI_CONSOLE_NLSPATH is used to locate the messages for
#      the console.
#      For Japanese or S-Chinese messages, change En_US to
#      Ja_JP or Zh_CN below. For English messages these can be
#      displayed in mixed or upper case only. (see MC_MESSAGES)
#      Note that MQSI_CONSOLE_NLSPATH does not use %L or %N
#
export LANG=++LOCALE++
export LC_ALL=++LOCALE++
export TZ=++TIMEZONE++
export NLSPATH=$MQSI_FILEPATH/messages/%L/%N
export MQSI_CONSOLE_NLSPATH=$MQSI_FILEPATH/messages/En_US

#*****
# 3. Automatic Restart Management (ARM) Settings
#*****
#
# 3.1 MQSI_USE_ARM specifies whether to use ARM.
#      e.g. MQSI_USE_ARM=YES for ARM enabled.
#           MQSI_USE_ARM=NO  for ARM not enabled.
#
# 3.2 MQSI_ARM_ELEMENTNAME required if ARM enabled.
#
# 3.3 MQSI_ARM_ELEMENTTYPE required if ARM enabled.
#
export MQSI_USE_ARM=NO
export MQSI_ARM_ELEMENTNAME=++COMPONENTNAME++
export MQSI_ARM_ELEMENTTYPE=

```

```

#*****
# 4. Java Settings
#*****
#
# 4.1 JAVAHOME contains the root directory of the JAVA install.
#     e.g. JAVAHOME=/usr/lpp/java/IBM/J1.5
#     Note that the Java version must be at least 1.5.0
#
export JAVAHOME=++JAVA++

#*****
# 5. WBI Configmgr Settings
#*****
#
# 5.1 _BPX_BATCH_SPAWN
#     (MUST NOT CHANGE FROM DEFAULT!)
#
# 5.2 MQSI_MC_MESSAGES determines if messages should appear in
#     mixed case or upper case.
#     e.g. MQSI_MC_MESSAGES=YES for mixed case
#          MQSI_MC_MESSAGES=NO for upper case
#
# 5.3 MQSI_COMMAND_DATABASE_ECHO if defined, mqsi commands
#     display information when creating DB2 tables/indexes.
#
# 5.4 MQSI_COMMAND_ZOS_MQ_ECHO if defined, mqsi commands display
#     information returned from the MQ command server when
#     creating/deleting queues.
#
# 5.5 MQSI_COMMAND_ZOS_MQ_ECHO_RC if defined, mqsi commands display
#     reason and return codes from the MQ command server when
#     creating/deleting queues.
#
# 5.6 STEPLIB
#     (MUST NOT CHANGE FROM DEFAULT!)
#
export _BPX_BATCH_SPAWN=NO
export MQSI_MC_MESSAGES=NO
export MQSI_COMMAND_DATABASE_ECHO=1
export MQSI_COMMAND_ZOS_MQ_ECHO=1
export MQSI_COMMAND_ZOS_MQ_ECHO_RC=1
export STEPLIB=CURRENT

#*****
# 6. Other Settings
#*****
#
# NO NEED TO CHANGE FROM DEFAULT!
#
CP=++MQPATH++/java/lib/com.ibm.mq.jar
CP=$CP:++MQPATH++/java/lib/connector.jar
CP=$CP:$MQSI_FILEPATH/classes
CP=$CP:$JAVAHOME/lib
CP=$CP:$MQSI_FILEPATH/classes/config.jar
CP=$CP:$MQSI_FILEPATH/classes/ConfigManagerProxy.jar
CP=$CP:$MQSI_FILEPATH/classes/ConfigManagerProxySamples.jar
CP=$CP:$MQSI_FILEPATH/classes/configutil.jar
CP=$CP:$MQSI_FILEPATH/messages
export CLASSPATH=$CP
XMLTOOLKIT=++XMLTOOLKIT++
LP=++MQPATH++/java/lib
LP=$LP:$MQSI_FILEPATH/lib/wbirf
LP=$LP:$MQSI_FILEPATH/lib/wbimb

```

```

LP=$LP:$MQSI_FILEPATH/lib
LP=$LP:$JAVAHOME/lib
LP=$LP:$JAVAHOME/bin
LP=$LP:$JAVAHOME/bin/classic
LP=$LP:$XMLTOOLKIT/lib
export LIBPATH=$LP
export PATH=$MQSI_FILEPATH/bin
export PATH=$PATH:$JAVAHOME/bin

```

## Sample BIPCRM file

```

//BIPCRM JOB
//*****
//*
//* @START_COPYRIGHT@
//*
//* Licensed Materials - Property of IBM;
//* 5655-G97 (c) Copyright IBM Corp. 2004;
//* All Rights Reserved;
//* US Government Users Restricted Rights - use,
//* duplication or disclosure restricted by GSA
//* ADP Schedule Contract with IBM Corp.;
//* See Copyright Instructions
//*
//* @END_COPYRIGHT@
//*
//*****
//*          IBM WebSphere Event/Message Brokers
//*
//* Sample job to create a configmgr (mqsicreateconfigmgr).
//*
//*****
//* MORE INFORMATION - See:
//*
//*   WebSphere Event/Message Brokers Information Centre.
//*   Topic "an23000"
//*
//*****
//* CUSTOMIZE THIS JCL HERE FOR YOUR INSTALLATION
//* YOU MUST DO GLOBAL CHANGES ON THESE PARAMETERS USING YOUR EDITOR
//*
//*   Replace   ++HOME++
//*             Home directory where ENVFILE and STDERR
//*             and STDOUT files will be created.
//*             e.g. '/u/home'
//*
//*   Replace   ++INSTALL++
//*             WBI Brokers installation directory.
//*             e.g. '/usr/lpp/mqsi'
//*
//*   Replace   ++COMPONENTNAME++
//*             ConfigMgr Name.
//*             e.g. 'MQ01CMGR'
//*
//*   Replace   ++QUEUEMANAGER++
//*             Queue manager name.
//*             e.g. 'MQ01'
//*
//*   Replace   ++OPTIONS++
//*             Options for mqsicreateconfigmgr command.
//*             e.g. '-1'
//*
//*             z/OS specific options are
//*             -1 Registry pass only
//*             This creates the configmgr directory.
//*             -2 MQ pass only
//*             This creates the configmgr MQ queues.
//*

```

```

/**          Please see documentation for other options.
/**
/**  Replace  ++WMQHLQ++
/**          WebSphere MQ high-level-qualifier.
/**          e.g. 'MQM.V600'
/**
/*******
/**
/*******
/** Copy ENVFILE to SYSOUT
/*******
/**
/**COPYENV  EXEC PGM=IKJEFT01,
/**          PARM='OCOPY INDD(BIPFROM) OUTDD(ENVFILE)'
/**SYSTSPRT DD DUMMY
/**BIPFROM  DD PATHOPTS=(ORDONLY),
/**          PATH='++HOME++/ENVFILE'
/**ENVFILE  DD SYSOUT=*,DCB=(RECFM=V,LRECL=256)
/**SYSTSIN  DD DUMMY
/**
/*******
/** Run mqsicreateconfigmgr command
/*******
/**
/**BIPCRCM  EXEC PGM=IKJEFT01,REGION=0M
/**          MQSeries Runtime Libraries
/**STEPLIB  DD DISP=SHR,DSN=++WMQHLQ++.SCSQANLE
/**          DD DISP=SHR,DSN=++WMQHLQ++.SCSQAUTH
/**          DD DISP=SHR,DSN=++WMQHLQ++.SCSQLOAD
/**STDENV   DD PATHOPTS=(ORDONLY),
/**          PATH='++HOME++/ENVFILE'
/**STDOUT   DD SYSOUT=*
/**STDERR   DD SYSOUT=*
/**SYSTSPRT DD SYSOUT=*
/**SYSTSIN  DD *
BPXBATSL PGM -
  ++INSTALL++/bin/-
mqsicreateconfigmgr -
  ++COMPONENTNAME++ -
  -q ++QUEUEMANAGER++ -
  ++OPTIONS++
/**
/**

```

### Sample BIPCRDB file

```

//BIPCRDB JOB
/*******
/**
/** @START_COPYRIGHT@
/**
/** Licensed Materials - Property of IBM;
/** 5655-G97 (c) Copyright IBM Corp. 2004;
/** All Rights Reserved;
/** US Government Users Restricted Rights - use,
/** duplication or disclosure restricted by GSA
/** ADP Schedule Contract with IBM Corp.;
/** See Copyright Instructions
/**
/** @END_COPYRIGHT@
/**
/*******
/**          IBM WebSphere Event/Message Brokers
/**
/** Create broker storagegroup / database and tablespaces.
/**
/*******
/** MORE INFORMATION - See:

```

```

/**
/** WebSphere Event/Message Brokers Information Centre.
/**
/**
/** *****
/** CUSTOMIZE THIS JCL HERE FOR YOUR INSTALLATION
/** YOU MUST DO GLOBAL CHANGES ON THESE PARAMETERS USING YOUR EDITOR
/**
/** Replace ++DB2HLQ++
/**         DB2 high-level-qualifier.
/**         e.g. 'SYS2.DB2.V810'
/**
/** Replace ++DB2RUNLIB++
/**         DB2.
/**         e.g. 'DSN810PK.RUNLIB.LOAD'
/**
/** Replace ++DB2SUBSYSTEM++
/**         DB2 SSID.
/**         e.g. 'DFK4'
/**
/** Replace ++DB2LOCATION++
/**         DB2 location.
/**         e.g. 'DSN810PK'
/**
/** Replace ++DB2CURRENTSQLID++
/**         SET CURRENT SQLID user ID.
/**         e.g. 'MQ01GRP'
/**
/** Replace ++DB2DATABASE++
/**         DB2 database.
/**         e.g. 'DMQ01BRK'
/**
/** Replace ++DB2STORAGEGROUP++
/**         DB2 storagegroup.
/**         e.g. 'MQ01STOR'
/**
/** Replace ++DB2BUFFERPOOL++
/**         DB2 base table buffer pool.
/**         e.g. 'BP0'
/**
/** Replace ++DB2INDEXBP++
/**         DB2 index buffer pool.
/**         e.g. 'BP0'
/**
/** Replace ++DB2LOBBP++
/**         DB2 LOB table buffer pool.
/**         e.g. 'BP0'
/**
/** Replace ++DB2SAMPLEPROGRAM++
/**         DB2 sample program name.
/**         e.g. 'DSNTEP2'
/**
/** Replace ++DB2SAMPLEPROGRAMPLAN++
/**         DB2 sample program plan name.
/**         e.g. 'DSNTEP81'
/**
/** *****
/**
/** *****
/** Create broker storagegroup
/** *****
/**
/**STORGRP EXEC PGM=IKJEFT01,REGION=0M
/**         DB2 Runtime Libraries
/**STEPLIB DD DISP=SHR,DSN=++DB2HLQ++.SDSNEXIT
/**         DD DISP=SHR,DSN=++DB2HLQ++.SDSNLOAD
/**         DD DISP=SHR,DSN=++DB2HLQ++.SDSNLOD2

```



```

//          DD DISP=SHR,DSN=++DB2RUNLIB++
//SYSTSPRT DD SYSOUT=*
//SYSTSIN  DD *
DSN SYSTEM(++DB2SUBSYSTEM++)
  RUN -
    PROGRAM(++DB2SAMPLEPROGRAM++) -
    PLAN(++DB2SAMPLEPROGRAMPLAN++)
//SYSPRINT DD SYSOUT=*
//SYSUDUMP DD SYSOUT=*
//SYSIN    DD *
  SET CURRENT SQLID='++DB2CURRENTSQLID++';
  CREATE STOGROUP ++DB2STORAGEGROUP++
    VOLUMES('*')
    VCAT ++DB2LOCATION++;
/*
/**
/*******
/** Create broker database
/*******
/**
//DATABASE EXEC PGM=IKJEFT01,REGION=0M
/**          DB2 Runtime Libraries
//STEPLIB  DD DISP=SHR,DSN=++DB2HLQ++.SDSNEXIT
//          DD DISP=SHR,DSN=++DB2HLQ++.SDSNLOAD
//          DD DISP=SHR,DSN=++DB2HLQ++.SDSNLOD2
//          DD DISP=SHR,DSN=++DB2RUNLIB++
//SYSTSPRT DD SYSOUT=*
//SYSTSIN  DD *
DSN SYSTEM(++DB2SUBSYSTEM++)
  RUN -
    PROGRAM(++DB2SAMPLEPROGRAM++) -
    PLAN(++DB2SAMPLEPROGRAMPLAN++)
//SYSPRINT DD SYSOUT=*
//SYSUDUMP DD SYSOUT=*
//SYSIN    DD *
  SET CURRENT SQLID='++DB2CURRENTSQLID++';
  CREATE DATABASE ++DB2DATABASE++
    STOGROUP ++DB2STORAGEGROUP++
    INDEXBP ++DB2INDEXBP++;
/*
/**
/*******
/** Create broker tablespaces
/*******
/**
//TABLESPC EXEC PGM=IKJEFT01,REGION=0M
/**          DB2 Runtime Libraries
//STEPLIB  DD DISP=SHR,DSN=++DB2HLQ++.SDSNEXIT
//          DD DISP=SHR,DSN=++DB2HLQ++.SDSNLOAD
//          DD DISP=SHR,DSN=++DB2HLQ++.SDSNLOD2
//          DD DISP=SHR,DSN=++DB2RUNLIB++
//SYSTSPRT DD SYSOUT=*
//SYSTSIN  DD *
DSN SYSTEM(++DB2SUBSYSTEM++)
  RUN -
    PROGRAM(++DB2SAMPLEPROGRAM++) -
    PLAN(++DB2SAMPLEPROGRAMPLAN++)
//SYSPRINT DD SYSOUT=*
//SYSUDUMP DD SYSOUT=*
//SYSIN    DD *
  SET CURRENT SQLID='++DB2CURRENTSQLID++';
  CREATE TABLESPACE BSUBSCRI
    IN ++DB2DATABASE++
    USING STOGROUP ++DB2STORAGEGROUP++
      PRIQTY 7200
      SECQTY 720
  ERASE NO

```

```
FREEPAGE      5
PCTFREE       20
SEGSIZE       32
BUFFERPOOL    ++DB2BUFFERPOOL++
LOCKSIZE ROW
CLOSE NO;
```

```
CREATE TABLESPACE BPUBLISH
  IN ++DB2DATABASE++
  USING STOGROUP ++DB2STORAGEGROUP++
    PRIQTY      7200
    SECQTY      720
  ERASE NO
  FREEPAGE      5
  PCTFREE       20
  SEGSIZE       32
  BUFFERPOOL    ++DB2BUFFERPOOL++
  LOCKSIZE ANY
  CLOSE NO;
```

```
CREATE TABLESPACE BCLIENTU
  IN ++DB2DATABASE++
  USING STOGROUP ++DB2STORAGEGROUP++
    PRIQTY      7200
    SECQTY      720
  ERASE NO
  FREEPAGE      5
  PCTFREE       20
  SEGSIZE       32
  BUFFERPOOL    ++DB2BUFFERPOOL++
  LOCKSIZE ANY
  CLOSE NO;
```

```
CREATE TABLESPACE BUSERCON
  IN ++DB2DATABASE++
  USING STOGROUP ++DB2STORAGEGROUP++
    PRIQTY      7200
    SECQTY      720
  ERASE NO
  FREEPAGE      5
  PCTFREE       20
  SEGSIZE       32
  BUFFERPOOL    ++DB2BUFFERPOOL++
  LOCKSIZE ANY
  CLOSE NO;
```

```
CREATE TABLESPACE BTOPOLOG
  IN ++DB2DATABASE++
  USING STOGROUP ++DB2STORAGEGROUP++
    PRIQTY      7200
    SECQTY      720
  ERASE NO
  FREEPAGE      5
  PCTFREE       20
  SEGSIZE       32
  BUFFERPOOL    ++DB2BUFFERPOOL++
  LOCKSIZE ANY
  CLOSE NO;
```

```
CREATE TABLESPACE BNBRCONN
  IN ++DB2DATABASE++
  USING STOGROUP ++DB2STORAGEGROUP++
    PRIQTY      7200
    SECQTY      720
  ERASE NO
  FREEPAGE      5
  PCTFREE       20
```

```

SEGSIZE      32
BUFFERPOOL  ++DB2BUFFERPOOL++
LOCKSIZE ANY
CLOSE NO;

CREATE TABLESPACE BRETAINE
  IN ++DB2DATABASE++
  USING STOGROUP ++DB2STORAGEGROUP++
    PRIQTY      7200
    SECQTY      720
  ERASE NO
  FREEPAGE      5
  PCTFREE      20
  SEGSIZE      32
  BUFFERPOOL  ++DB2BUFFERPOOL++
  LOCKSIZE ROW
  CLOSE NO;

CREATE TABLESPACE BACLINTR
  IN ++DB2DATABASE++
  USING STOGROUP ++DB2STORAGEGROUP++
    PRIQTY      7200
    SECQTY      720
  ERASE NO
  FREEPAGE      5
  PCTFREE      20
  SEGSIZE      32
  BUFFERPOOL  ++DB2BUFFERPOOL++
  LOCKSIZE ANY
  CLOSE NO;

CREATE TABLESPACE BMQPSTOP
  IN ++DB2DATABASE++
  USING STOGROUP ++DB2STORAGEGROUP++
    PRIQTY      7200
    SECQTY      720
  ERASE NO
  FREEPAGE      5
  PCTFREE      20
  SEGSIZE      32
  BUFFERPOOL  ++DB2BUFFERPOOL++
  LOCKSIZE ANY
  CLOSE NO;

CREATE TABLESPACE BUSERNAM
  IN ++DB2DATABASE++
  USING STOGROUP ++DB2STORAGEGROUP++
    PRIQTY      7200
    SECQTY      720
  ERASE NO
  FREEPAGE      5
  PCTFREE      20
  SEGSIZE      32
  BUFFERPOOL  ++DB2BUFFERPOOL++
  LOCKSIZE ANY
  CLOSE NO;

CREATE TABLESPACE BGROUPNA
  IN ++DB2DATABASE++
  USING STOGROUP ++DB2STORAGEGROUP++
    PRIQTY      7200
    SECQTY      720
  ERASE NO
  FREEPAGE      5
  PCTFREE      20
  SEGSIZE      32
  BUFFERPOOL  ++DB2BUFFERPOOL++

```

```
LOCKSIZE ANY
CLOSE NO;
```

```
CREATE TABLESPACE BUSERMEM
IN ++DB2DATABASE++
USING STOGROUP ++DB2STORAGEGROUP++
    PRIQTY    7200
    SECQTY    720
ERASE NO
FREEPAGE    5
PCTFREE    20
SEGSIZE    32
BUFFERPOOL ++DB2BUFFERPOOL++
LOCKSIZE ANY
CLOSE NO;
```

```
CREATE TABLESPACE BROKERA
IN ++DB2DATABASE++
USING STOGROUP ++DB2STORAGEGROUP++
    PRIQTY    7200
    SECQTY    720
ERASE NO
FREEPAGE    5
PCTFREE    20
SEGSIZE    32
BUFFERPOOL ++DB2BUFFERPOOL++
LOCKSIZE ANY
CLOSE NO;
```

```
CREATE TABLESPACE BROKERA
IN ++DB2DATABASE++
USING STOGROUP ++DB2STORAGEGROUP++
    PRIQTY    7200
    SECQTY    720
ERASE NO
FREEPAGE    5
PCTFREE    20
SEGSIZE    32
BUFFERPOOL ++DB2BUFFERPOOL++
LOCKSIZE ANY
CLOSE NO;
```

```
CREATE TABLESPACE BROKERRE
IN ++DB2DATABASE++
USING STOGROUP ++DB2STORAGEGROUP++
    PRIQTY    7200
    SECQTY    720
ERASE NO
FREEPAGE    5
PCTFREE    20
SEGSIZE    32
BUFFERPOOL ++DB2BUFFERPOOL++
LOCKSIZE ANY
CLOSE NO;
```

```
CREATE TABLESPACE BRMINFO
IN ++DB2DATABASE++
USING STOGROUP ++DB2STORAGEGROUP++
    PRIQTY    7200
    SECQTY    720
ERASE NO
FREEPAGE    5
PCTFREE    20
SEGSIZE    32
BUFFERPOOL ++DB2BUFFERPOOL++
LOCKSIZE ANY
CLOSE NO;
```

```

CREATE TABLESPACE BRMRTDIN
  IN ++DB2DATABASE++
  USING STOGROUP ++DB2STORAGEGROUP++
    PRIQTY      7200
    SECQTY      720
  ERASE NO
  FREEPAGE     5
  PCTFREE     20
  SEGSIZE     32
  BUFFERPOOL ++DB2BUFFERPOOL++
  LOCKSIZE ANY
  CLOSE NO;

```

```

CREATE TABLESPACE BRMRTDDE
  IN ++DB2DATABASE++
  USING STOGROUP ++DB2STORAGEGROUP++
    PRIQTY      7200
    SECQTY      720
  ERASE NO
  FREEPAGE     5
  PCTFREE     20
  SEGSIZE     32
  BUFFERPOOL ++DB2BUFFERPOOL++
  LOCKSIZE ANY
  CLOSE NO;

```

```

CREATE TABLESPACE BRMWF DIN
  IN ++DB2DATABASE++
  USING STOGROUP ++DB2STORAGEGROUP++
    PRIQTY      7200
    SECQTY      720
  ERASE NO
  FREEPAGE     5
  PCTFREE     20
  SEGSIZE     32
  BUFFERPOOL ++DB2BUFFERPOOL++
  LOCKSIZE ANY
  CLOSE NO;

```

```

CREATE TABLESPACE BRMPHYSI
  IN ++DB2DATABASE++
  USING STOGROUP ++DB2STORAGEGROUP++
    PRIQTY      7200
    SECQTY      720
  ERASE NO
  FREEPAGE     5
  PCTFREE     20
  SEGSIZE     32
  BUFFERPOOL ++DB2BUFFERPOOL++
  LOCKSIZE ANY
  CLOSE NO;

```

```

CREATE TABLESPACE BAGGREGA
  IN ++DB2DATABASE++
  USING STOGROUP ++DB2STORAGEGROUP++
    PRIQTY      7200
    SECQTY      720
  ERASE NO
  FREEPAGE     5
  PCTFREE     20
  SEGSIZE     32
  BUFFERPOOL ++DB2BUFFERPOOL++
  LOCKSIZE ROW
  CLOSE NO;

```

```

CREATE TABLESPACE BMULTICA

```

```

IN ++DB2DATABASE++
USING STOGROUP ++DB2STORAGEGROUP++
    PRIQTY    7200
    SECQTY    720
ERASE NO
FREEPAGE    5
PCTFREE     20
SEGSIZE     32
BUFFERPOOL ++DB2BUFFERPOOL++
LOCKSIZE ANY
CLOSE NO;

```

```

CREATE LOB TABLESPACE BSUBLOB1
IN ++DB2DATABASE++
USING STOGROUP ++DB2STORAGEGROUP++
    PRIQTY    72000
    SECQTY    7200
BUFFERPOOL ++DB2LOBBP++
LOCKSIZE LOB;

```

```

CREATE LOB TABLESPACE BSUBLOB2
IN ++DB2DATABASE++
USING STOGROUP ++DB2STORAGEGROUP++
    PRIQTY    72000
    SECQTY    7200
BUFFERPOOL ++DB2LOBBP++
LOCKSIZE LOB;

```

```

CREATE LOB TABLESPACE BSUBLOB3
IN ++DB2DATABASE++
USING STOGROUP ++DB2STORAGEGROUP++
    PRIQTY    72000
    SECQTY    7200
BUFFERPOOL ++DB2LOBBP++
LOCKSIZE LOB;

```

```

CREATE LOB TABLESPACE BPUBLLOB
IN ++DB2DATABASE++
USING STOGROUP ++DB2STORAGEGROUP++
    PRIQTY    72000
    SECQTY    7200
BUFFERPOOL ++DB2LOBBP++
LOCKSIZE LOB;

```

```

CREATE LOB TABLESPACE BCLIELOB
IN ++DB2DATABASE++
USING STOGROUP ++DB2STORAGEGROUP++
    PRIQTY    72000
    SECQTY    7200
BUFFERPOOL ++DB2LOBBP++
LOCKSIZE LOB;

```

```

CREATE LOB TABLESPACE BRETLOB1
IN ++DB2DATABASE++
USING STOGROUP ++DB2STORAGEGROUP++
    PRIQTY    72000
    SECQTY    7200
BUFFERPOOL ++DB2LOBBP++
LOCKSIZE LOB;

```

```

CREATE LOB TABLESPACE BRETLOB2
IN ++DB2DATABASE++
USING STOGROUP ++DB2STORAGEGROUP++
    PRIQTY    72000
    SECQTY    7200
BUFFERPOOL ++DB2LOBBP++
LOCKSIZE LOB;

```

```
CREATE LOB TABLESPACE BACLELOB
  IN ++DB2DATABASE++
  USING STOGROUP ++DB2STORAGEGROUP++
    PRIQTY 72000
    SECQTY 7200
  BUFFERPOOL ++DB2LOBBP++
  LOCKSIZE LOB;
```

```
CREATE LOB TABLESPACE BMQPSLOB
  IN ++DB2DATABASE++
  USING STOGROUP ++DB2STORAGEGROUP++
    PRIQTY 72000
    SECQTY 7200
  BUFFERPOOL ++DB2LOBBP++
  LOCKSIZE LOB;
```

```
CREATE LOB TABLESPACE BMULTLOB
  IN ++DB2DATABASE++
  USING STOGROUP ++DB2STORAGEGROUP++
    PRIQTY 72000
    SECQTY 7200
  BUFFERPOOL ++DB2LOBBP++
  LOCKSIZE LOB;
```

```
CREATE LOB TABLESPACE BROKALOB
  IN ++DB2DATABASE++
  USING STOGROUP ++DB2STORAGEGROUP++
    PRIQTY 72000
    SECQTY 7200
  BUFFERPOOL ++DB2LOBBP++
  LOCKSIZE LOB;
```

```
CREATE LOB TABLESPACE BROKRLOB
  IN ++DB2DATABASE++
  USING STOGROUP ++DB2STORAGEGROUP++
    PRIQTY 72000
    SECQTY 7200
  BUFFERPOOL ++DB2LOBBP++
  LOCKSIZE LOB;
```

```
CREATE LOB TABLESPACE BRMRTLOB
  IN ++DB2DATABASE++
  USING STOGROUP ++DB2STORAGEGROUP++
    PRIQTY 72000
    SECQTY 7200
  BUFFERPOOL ++DB2LOBBP++
  LOCKSIZE LOB;
```

```
CREATE LOB TABLESPACE BRMPHLOB
  IN ++DB2DATABASE++
  USING STOGROUP ++DB2STORAGEGROUP++
    PRIQTY 72000
    SECQTY 7200
  BUFFERPOOL ++DB2LOBBP++
  LOCKSIZE LOB;
```

```
CREATE LOB TABLESPACE BAGGRLOB
  IN ++DB2DATABASE++
  USING STOGROUP ++DB2STORAGEGROUP++
    PRIQTY 72000
    SECQTY 7200
  BUFFERPOOL ++DB2LOBBP++
  LOCKSIZE LOB;
```

```
/*
//
```

## Sample BIPCRUN file

```
//BIPCRUN JOB
//*****
//*
//* @START_COPYRIGHT@
//*
//* Licensed Materials - Property of IBM;
//* 5655-G97 (c) Copyright IBM Corp. 2004;
//* All Rights Reserved;
//* US Government Users Restricted Rights - use,
//* duplication or disclosure restricted by GSA
//* ADP Schedule Contract with IBM Corp.;
//* See Copyright Instructions
//*
//* @END_COPYRIGHT@
//*
//*****
//*          IBM WebSphere Event/Message Brokers
//*
//* Sample job to create a usernameserver
//*                               (mqsicreateusernameserver).
//*
//*****
//* MORE INFORMATION - See:
//*
//*   WebSphere Event/Message Brokers Information Centre.
//*   Topic "an07200"
//*
//*****
//* CUSTOMIZE THIS JCL HERE FOR YOUR INSTALLATION
//* YOU MUST DO GLOBAL CHANGES ON THESE PARAMETERS USING YOUR EDITOR
//*
//*   Replace   ++HOME++
//*             Home directory where ENVFILE and STDERR
//*             and STDOUT files will be created.
//*             e.g. '/u/home'
//*
//*   Replace   ++INSTALL++
//*             WBI Brokers installation directory.
//*             e.g. '/usr/lpp/mqsi '
//*
//*   Replace   ++QUEUEMANAGER++
//*             Queue manager name.
//*             e.g. 'MQ01'
//*
//*   Replace   ++OPTIONS++
//*             Options for mqsicreateusernameserver.
//*             e.g. '-1'
//*
//*             z/OS specific options are
//*             -1 Registry pass only
//*               This creates the uns directory.
//*             -2 MQ pass only
//*               This creates the uns MQ queues.
//*
//*             Please see documentation for other options.
//*
//*   Replace   ++WMQHLQ++
//*             WebSphere MQ high-level-qualifier.
//*             e.g. 'MQM.V600'
//*
//*****
//*
//*****
//* Copy ENVFILE to SYSOUT
//*****
//*
```



```

//COPYENV EXEC PGM=IKJEFT01,
//      PARM='OCOPY INDD(BIPFROM) OUTDD(ENVFILE)'
//SYSTSPRT DD DUMMY
//BIPFROM DD PATHOPTS=(ORDONLY),
//      PATH='++HOME++/ENVFILE'
//ENVFILE DD SYSOUT=*,DCB=(RECFM=V,LRECL=256)
//SYSTSIN DD DUMMY
//*
//*****
//* Run mqsicreateusernameserver command
//*****
//*
//BIPCRUN EXEC PGM=IKJEFT01,REGION=0M
//*      MQSeries Runtime Libraries
//STEPLIB DD DISP=SHR,DSN=++WMQHLQ++.SCSQANLE
//      DD DISP=SHR,DSN=++WMQHLQ++.SCSQAUTH
//      DD DISP=SHR,DSN=++WMQHLQ++.SCSQLOAD
//STDENV DD PATHOPTS=(ORDONLY),
//      PATH='++HOME++/ENVFILE'
//STDOUT DD SYSOUT=*
//STDERR DD SYSOUT=*
//SYSTSPRT DD SYSOUT=*
//SYSTSIN DD *
BPXBATSL PGM -
  ++INSTALL++/bin/-
mqsicreateusernameserver -
  -q ++QUEUEMANAGER++ -
  ++OPTIONS++
//*
//

```

### Sample BIPDSNAO file

```

;*****
;*
;* @START_COPYRIGHT@
;*
;* Licensed Materials - Property of IBM;
;* 5655-G97 (c) Copyright IBM Corp. 2004;
;* All Rights Reserved;
;* US Government Users Restricted Rights - use,
;* duplication or disclosure restricted by GSA
;* ADP Schedule Contract with IBM Corp.;
;* See Copyright Instructions
;*
;* @END_COPYRIGHT@
;*
;*****
;*      IBM WebSphere Event/Message Brokers
;*
;*
;* Sample dsnaoini for a broker, usernamerserver or configmgr.
;*
;*****
;* MORE INFORMATION - See:
;*
;*      WebSphere Event/Message Brokers Information Centre.
;*
;*****
;* CUSTOMIZE HERE FOR YOUR INSTALLATION
;* YOU MUST DO GLOBAL CHANGES ON THESE PARAMETERS USING YOUR EDITOR
;*
;*      Replace ++COMPONENTDIRECTORY++
;*              Component directory.
;*              e.g. '/mqsi/brokers/MQ01BRK'
;*
;*      Replace ++DB2SUBSYSTEM++
;*              DB2 SSID.
;*              e.g. 'DFK4'

```

```

;*
;* Replace ++DB2LOCATION++
;*          DB2 location.
;*          e.g. 'DSN810PK'
;*
;* Replace ++DB2CURRENTSQLID++
;*          CURRENT SQLID user ID.
;*          e.g. 'MQ01GRP'
;*
;* Replace ++DB2DSNACLIPLAN++
;*          DB2 plan name for dsnacli.
;*          e.g. 'DSNACLI'
;*
;*****
[COMMON]
APPLTRACE=0
APPLTRACEfilename=++COMPONENTDIRECTORY++/output/traceodbc
CONNECTTYPE=2
DIAGTRACE=0
DIAGTRACE_NO_WRAP=0
MAXCONN=0
MULTICONTEXT=0
MVSDEFAULTSSID=++DB2SUBSYSTEM++

; SUBSYSTEM
[++DB2SUBSYSTEM++]
MVSATTACHTYPE=RRSAF
PLANNAME=++DB2DSNACLIPLAN++

; DATASOURCES
[++DB2LOCATION++]
CURRENTSQLID=++DB2CURRENTSQLID++

```

### Sample BIPEDIT file

```

/* REXX */
/*****
/*
/* @START_COPYRIGHT@
/*
/* Licensed Materials - Property of IBM;
/* 5655-G97 (c) Copyright IBM Corp. 2004;
/* All Rights Reserved;
/* US Government Users Restricted Rights - use,
/* duplication or disclosure restricted by GSA
/* ADP Schedule Contract with IBM Corp.;
/* See Copyright Instructions
/*
/* @END_COPYRIGHT@
/*
/*****
/*          IBM WebSphere Event/Message Brokers
/*
/* REXX utility to customize JCL.
/*
/*****
/* MORE INFORMATION - See:
/*
/*   WebSphere Event/Message Brokers Information Centre.
/*
/*****
/*
/* This edit macro can be used to assist you in configuring your
/* Broker configuration files.
/* 1. Edit this file to alter the change commands so the second
/*    parameter is the value for your installaton
/* 2. Save the file
/* 3. Rename it to a broker related file, for example VCP1EDIT for

```

```

/* Broker called VCP1BRK */
/* 4. In TSO or TSO command shell ( often ISPF option 6) execute */
/* ALTLIB ACTIVATE APPLICATION(EXEC) DA('WBI.V5.SBIPPROC') */
/* where WBI.V5.SBIPPROC is the name of the PDS containing this */
/* macro */
/* 5. Using the same ISPF session, edit a configuration file */
/* 6. Type the macro name at the commands line and press enter */
/* This will execute the macro. */
/* If you get Command not found, then check you issued the command */
/* in 4. in the same ISPF session */
/* 7. If the macro has any errors, cancel from the file being edited */
/* resolve the errors in the macro and retry */
/*
/*****
/* See the product documentation on the meaning of the fields below= */
/*****
ISREDIT MACRO NOPROCESS
ADDRESS ISREDIT
/* All components (Broker , Configuration Manager and User Name Server) */
"change ++INSTALL++ install_value all"
"change ++COMPONENTDIRECTORY++ compdir_value all"
"change ++COMPONENTNAME++ MQ01BRK all"
"change ++HOME++ /u/mq01brk all"
"change ++OPTIONS++ options_value all"
"change ++LOCALE++ C all"
"change ++TIMEZONE++ GMT0BST all"
"change ++JAVA++ /usr/lpp/java/IBM/J1.5 all"
"change ++WMQHLQ++ MQM.V600 all"
"change ++QUEUEMANAGER++ MQ01 all"
"change ++COMPONENTDATASET++ componentdataset_value all"
"change ++STARTEDTASKNAME++ MQ01BRK all"
"change ++COMPONENTPROFILE++ componentprofile_value all"
"change ++XMLTOOLKIT++ /usr/lpp/ixm/IBM/xml4c-5_6 all"
/* Broker only */
/* (Delete if Configuration Manager or User Name Server)
"change ++DB2CONVERSION++ SINGLE all"
"change ++DB2SUBSYSTEM++ db2 subsystem_value all"
"change ++DB2LOCATION++ db2location_value all"
"change ++DB2TABLEOWNER++ MQ01GRP all"
"change ++DB2CURRENTSQLID++ MQ01GRP all"
"change ++DB2DSNACLIPLAN++ dsnacli_value all"
"change ++DB2HLQ++ SYS2.DB2.V810 all"
"change ++DB2RUNLIB++ runlib_value all"
"change ++DB2SAMPLEPROGRAM++ sampleprogram_value all"
"change ++DB2SAMPLEPROGRAMPLAN++ sampleprogramplan_value all"
"change ++DB2DATABASE++ DMQ01BRK all"
"change ++DB2STORAGEGROUP++ MQ01STOR all"
"change ++DB2BUFFERPOOL++ BP0 all"
"change ++DB2INDEXBP++ BP0 all"
"change ++DB2LOBBP++ BP0 all"
/* Configuration Manager only
/* (Delete if Broker or User Name Server)
"change ++MQPATH++ /usr/lpp/mqm all"

```

### Sample BIPGEN file

```

//BIPGEN JOB
/*****
/*
/* @START_COPYRIGHT@
/*
/* Licensed Materials - Property of IBM;
/* 5655-G97 (c) Copyright IBM Corp. 2004;
/* All Rights Reserved;
/* US Government Users Restricted Rights - use,
/* duplication or disclosure restricted by GSA
/* ADP Schedule Contract with IBM Corp.;
/* See Copyright Instructions

```

```

/**
/** @END_COPYRIGHT@
/**
/** *****
/**          IBM WebSphere Event/Message Brokers
/**
/** Copy component profile to the file system and generate an
/** ENVFILE.
/**
/** IMPORTANT:
/**
/**   You must submit BIPGEN each time you update a profile!
/**
/** *****
/** MORE INFORMATION - See:
/**
/**   WebSphere Event/Message Brokers Information Centre.
/**
/** *****
/** CUSTOMIZE THIS JCL HERE FOR YOUR INSTALLATION
/** YOU MUST DO GLOBAL CHANGES ON THESE PARAMETERS USING YOUR EDITOR
/**
/** Replace ++HOME++
/**           Home directory where ENVFILE and STDERR
/**           and STDOUT files will be created.
/**           e.g. '/u/home'
/**
/** Replace ++COMPONENTDATASET++
/**           Component dataset.
/**           e.g. 'BIP.BROKER.MQ01BRK'
/**
/** Replace ++COMPONENTPROFILE++
/**           Component profile name.
/**           e.g. Broker       = 'BIPBPROF'
/**           UsernameServer = 'BIPUPROF'
/**           Configmgr      = 'BIPCPROF'
/**
/** *****
/**
/** *****
/** Copy BIPBPROF/BIPUPROF/BIPCPROF to file system
/** *****
/**
/** COPYPROF EXEC PGM=IKJEFT01,
/**           PARM='OCOPY INDD(BIPFROM) OUTDD(BIPPROF)'
/** SYSTSPRT DD DUMMY
/** BIPFROM DD DISP=SHR,DSN=++COMPONENTDATASET++(++COMPONENTPROFILE++)
/** BIPPROF DD PATHOPTS=(OWRONLY,OCREAT,OTRUNC),
/**           PATHMODE=(SIRWXU,SIRWXG),
/**           PATH='++HOME++/bipprof'
/** SYSTSIN DD DUMMY
/**
/** *****
/** Copy BIPPROF to SYSOUT
/** *****
/**
/** COPYENV EXEC PGM=IKJEFT01,
/**           PARM='OCOPY INDD(BIPFROM) OUTDD(BIPPROF)'
/** SYSTSPRT DD DUMMY
/** BIPFROM DD PATHOPTS=(ORDONLY),
/**           PATH='++HOME++/bipprof'
/** BIPPROF DD SYSOUT=*,DCB=(RECFM=V,LRECL=256)
/** SYSTSIN DD DUMMY
/**
/** *****
/** Create ENVFILE from BIPPROF
/** *****

```

```

//*
//CREATENV EXEC PGM=IKJEFT01,REGION=0M
//SYSTSPRT DD SYSOUT=*
//SYSTSIN DD *
  BPXBATCH SH -
  . ++HOME++/bipprof; -
  /bin/printenv > -
  ++HOME++/ENVFILE
//*
//*****
//* Copy ENVFILE to SYSOUT
//*****
//*
//COPYENV EXEC PGM=IKJEFT01,
//      PARM='OCOPY INDD(BIPFROM) OUTDD(ENVFILE)'
//SYSTSPRT DD DUMMY
//BIPFROM DD PATHOPTS=(ORDONLY),
//      PATH='++HOME++/ENVFILE'
//ENVFILE DD SYSOUT=*,DCB=(RECFM=V,LRECL=256)
//SYSTSIN DD DUMMY
//
//

```

### Sample BIPUNSP file

```

//*****
//*
//* @START_COPYRIGHT@
//*
//* Licensed Materials - Property of IBM;
//* 5655-G97 (c) Copyright IBM Corp. 2004;
//* All Rights Reserved;
//* US Government Users Restricted Rights - use,
//* duplication or disclosure restricted by GSA
//* ADP Schedule Contract with IBM Corp.;
//* See Copyright Instructions
//*
//* @END_COPYRIGHT@
//*
//*****
//*          IBM WebSphere Event/Message Brokers
//*
//* Sample job to start a usernameserver.
//*
//*****
//* MORE INFORMATION - See:
//*
//*   WebSphere Event/Message Brokers Information Centre.
//*
//*****
//* CUSTOMIZE THIS JCL HERE FOR YOUR INSTALLATION
//* YOU MUST DO GLOBAL CHANGES ON THESE PARAMETERS USING YOUR EDITOR
//*
//*   Replace   ++HOME++
//*             Home directory where ENVFILE and STDERR
//*             and STDOUT files will be created.
//*             e.g. '/u/home'
//*
//*   Replace   ++INSTALL++
//*             WBI Brokers installation directory.
//*             e.g. '/usr/lpp/mqsi'
//*
//*   Replace   ++QUEUEMANAGER++
//*             Queue manager name.
//*             e.g. 'MQ01'
//*
//*   Replace   ++COMPONENTDIRECTORY++
//*             Usernameserver directory.

```

```

/*          e.g. '/mqsi/brokers/MQ01BRK'
/*
/* Replace  ++STARTEDTASKNAME++
/*          Started Task Name (max 8 chars uppercase).
/*          e.g. 'MQ01BRK'
/*
/* Replace  ++WMQHLQ++
/*          WebSphere MQ high-level-qualifier.
/*          e.g. 'MQM.V600'
/*
/******
/*
/*++STARTEDTASKNAME++ PROC INSTP='++INSTALL++',
/*      MAINP='bipimain',
/*      SRVMP='bipservice',
/*      COMPK='++STARTEDTASKNAME++',
/*      STRTP='AUTO',
/*      COMPDIR='++COMPONENTDIRECTORY++',
/*      STDD='OTRUNC',
/*      HOME='++HOME++',
/*      WMQHLQ='++WMQHLQ++'
/*
/******
/* Copy ENVFILE to SYSOUT
/******
/*
//COPYENV EXEC PGM=IKJEFT01,
//      PARM='OCOPY INDD(BIPFROM) OUTDD(ENVFILE)'
//SYSTSPRT DD DUMMY
//BIPFROM DD PATHOPTS=(ORDONLY),
//      PATH='&HOME./ENVFILE'
//ENVFILE DD SYSOUT=*,DCB=(RECFM=V,LRECL=256)
//SYSTSIN DD DUMMY
/*
/******
/* UserNameServer MQ verification
/******
/*
//VFYDB2MQ EXEC PGM=BPXBATSL,REGION=0M,TIME=NOLIMIT,
//      PARM='PGM &INSTP./bin/bipcvp u ++QUEUEMANAGER++'
/*
/* MQSeries Runtime Libraries
//STEPLIB DD DISP=SHR,DSN=&WMQHLQ..SCSQANLE
//      DD DISP=SHR,DSN=&WMQHLQ..SCSQAUTH
//      DD DISP=SHR,DSN=&WMQHLQ..SCSQLOAD
//STDENV DD PATH='&HOME./ENVFILE'
//STDOUT DD SYSOUT=*
//STDERR DD SYSOUT=*
//SYSMDUMP DD SYSOUT=*
/*
/******
/* Check RC from previous steps
/******
/*
//      IF (RC=0) THEN
/*
/******
/* Step to delete residual locks
/* (this is only needed if the broker is ARM enabled)
/******
/*
/**RMLLOCKS EXEC PGM=BPXBATCH,REGION=0M,TIME=NOLIMIT,
/*      PARM='SH rm -f &COMPDIR./common/locks/*'
/*
/******
/* Start :
/* UserNameServer Address Space (bipimain, bipservice and bipuns)
/******

```

```

//*
//UNS      EXEC PGM=BPXBATCH,REGION=0M,TIME=NOLIMIT,
//          PARM='PGM &INSTP./bin/&MAINP. &SRVMP. &COMP. &STRTP.'
//*       MQSeries Runtime Libraries
//STEPLIB DD DISP=SHR,DSN=&WMQHLQ..SCSQANLE
//          DD DISP=SHR,DSN=&WMQHLQ..SCSQAUTH
//          DD DISP=SHR,DSN=&WMQHLQ..SCSQLOAD
//STDENV  DD PATH='&HOME./ENVFILE'
//STDOUT  DD PATHOPTS=(OWRONLY,OCREAT,&STDD),
//          PATHMODE=(SIRWXU,SIRWXG),
//          PATH='&COMPDIR./output/stdout'
//STDERR  DD PATHOPTS=(OWRONLY,OCREAT,&STDD),
//          PATHMODE=(SIRWXU,SIRWXG),
//          PATH='&COMPDIR./output/stderr'
//SYSDUMP DD SYSOUT=*
//*
//*****
//* Copy stdout to SYSOUT
//*****
//*
//COPYOUT EXEC PGM=IKJEFT01,COND=EVEN,
//          PARM='OCOPY INDD(BIPFROM) OUTDD(STDOUT) '
//SYSTSPRT DD DUMMY
//BIPFROM  DD PATHOPTS=(ORDONLY),
//          PATH='&COMPDIR./output/stdout'
//STDOUT   DD SYSOUT=*,DCB=(RECFM=V,LRECL=256)
//SYSTSIN  DD DUMMY
//*
//*****
//* Copy stderr to SYSOUT
//*****
//*
//COPYERR EXEC PGM=IKJEFT01,COND=EVEN,
//          PARM='OCOPY INDD(BIPFROM) OUTDD(STDERR) '
//SYSTSPRT DD DUMMY
//BIPFROM  DD PATHOPTS=(ORDONLY),
//          PATH='&COMPDIR./output/stderr'
//STDERR   DD SYSOUT=*,DCB=(RECFM=V,LRECL=256)
//SYSTSIN  DD DUMMY
//*
//          ENDIF
//*
//*-----
//          PEND
//*-----
//
//

```

### Sample BIPUPROF file

```

#*****
#*
#* @START_COPYRIGHT@
#*
#* Licensed Materials - Property of IBM;
#* 5655-G97 (c) Copyright IBM Corp. 2004;
#* All Rights Reserved;
#* US Government Users Restricted Rights - use,
#* duplication or disclosure restricted by GSA
#* ADP Schedule Contract with IBM Corp.;
#* See Copyright Instructions
#*
#* @END_COPYRIGHT@
#*
#*****
#*          IBM WebSphere Event/Message Brokers
#*
#* Sample profile for a usernameserver.
#*

```

```

#*
#* *****
#* MORE INFORMATION - See:
#*
#*   WebSphere Event/Message Brokers Information Centre.
#*
#* IMPORTANT:
#*
#*   You must submit BIPGEN each time you update this profile!
#*
#* *****
#* CUSTOMIZE HERE FOR YOUR INSTALLATION
#* YOU MUST DO GLOBAL CHANGES ON THESE PARAMETERS USING YOUR EDITOR
#*
#*   Replace   ++INSTALL++
#*             WBI Brokers installation directory.
#*             e.g. '/usr/lpp/mqsi'
#*
#*   Replace   ++COMPONENTDIRECTORY++
#*             Usernameserver directory.
#*             e.g. '/mqsi/uns/MQ01BRK'
#*
#*   Replace   ++LOCALE++
#*             Locale.
#*             e.g. 'C'
#*
#*   Replace   ++TIMEZONE++
#*             Time zone.
#*             e.g. 'GMT0BST'
#*
#*   Replace   ++JAVA++
#*             Java location.
#*             e.g. '/usr/lpp/java/IBM/J1.5'
#*
#*   Replace   ++XMLTOOLKIT++
#*             IBM XML Toolkit location.
#*             e.g. '/usr/lpp/ixm/IBM/xml4c-5_6'
#*
#* *****
# 1. Component Settings
#* *****
#
# 1.1 MQSI_REGISTRY references the component path. Also needed by
#     commands.
#     e.g. MQSI_REGISTRY=/mqsi/uns/MQ01BRK
#
# 1.2 MQSI_COMPONENT_NAME is set to the UserNameServer name.
#     (DO NOT CHANGE FROM DEFAULT!)
#
# 1.3 MQSI_FILEPATH needed by commands to reference the component
#     version install path.
#     e.g. MQSI_FILEPATH=usr/lpp/mqsi/V6R0M0
#
export MQSI_REGISTRY=++COMPONENTDIRECTORY++
export MQSI_COMPONENT_NAME=UserNameServer
export MQSI_FILEPATH=++INSTALL++

#* *****
# 2. NLS Settings
#* *****
#
# 2.1 LANG and LC_ALL determine in which locale the component
#     will run.
#     e.g. LANG=Ja_JP.IBM-939 and LC_ALL=Ja_JP.IBM-939 for
#          japanese locale.
#          LANG=C, LC_ALL=C for US English locale.

```



```

#
# 2.2 TZ has the timezone setting in which you are located.
#     e.g. TZ=EST5           for USA Eastern Standard Time
#           TZ=MEZ-1MES,M3.5.0,M10.5.0 for Central Europe
#           TZ=GMT0BST       for the UK
#           Please refer to the IBM Manual
#           "Unix System Services Command Reference SC28-1892.
#
# 2.3 NLSPATH contains the location of the message catalog(s).
#     (NO NEED TO CHANGE FROM DEFAULT!)
#
# 2.4 MQSI_CONSOLE_NLSPATH is used to locate the messages for
#     the console.
#     For Japanese or S-Chinese messages, change En_US to
#     Ja_JP or Zh_CN below. For English messages these can be
#     displayed in mixed or upper case only. (see MC_MESSAGES)
#     Note that MQSI_CONSOLE_NLSPATH does not use %L or %N
#
export LANG=++LOCALE++
export LC_ALL=++LOCALE++
export TZ=++TIMEZONE++
export NLSPATH=$MQSI_FILEPATH/messages/%L/%N
export MQSI_CONSOLE_NLSPATH=$MQSI_FILEPATH/messages/En_US

#*****
# 3. Automatic Restart Management (ARM) Settings
#*****
#
# 3.1 MQSI_USE_ARM specifies whether to use ARM.
#     e.g. MQSI_USE_ARM=YES for ARM enabled.
#           MQSI_USE_ARM=NO  for ARM not enabled.
#
# 3.2 MQSI_ARM_ELEMENTNAME required if ARM enabled.
#
# 3.3 MQSI_ARM_ELEMENTTYPE required if ARM enabled.
#
export MQSI_USE_ARM=NO
export MQSI_ARM_ELEMENTNAME=
export MQSI_ARM_ELEMENTTYPE=

#*****
# 4. Java Settings
#*****
#
# 4.1 JAVAHOME contains the root directory of the JAVA install.
#     e.g. JAVAHOME=/usr/lpp/java/IBM/J1.5
#     Note that the Java version must be at least 1.5.0
#
export JAVAHOME=++JAVA++

#*****
# 5. WBI Usernameserver Settings
#*****
#
# 5.1 _BPX_BATCH_SPAWN
#     (MUST NOT CHANGE FROM DEFAULT!)
#
# 5.2 MQSI_MC_MESSAGES determines if messages should appear in
#     mixed case or upper case.
#     e.g. MQSI_MC_MESSAGES=YES for mixed case
#           MQSI_MC_MESSAGES=NO for upper case
#
# 5.3 MQSI_COMMAND_DATABASE_ECHO if defined, mqsi commands
#     display information when creating DB2 tables/indexes.

```

```

#
# 5.4 MQSI_COMMAND_ZOS_MQ_ECHO if defined, mqsi commands display
# information returned from the MQ command server when
# creating/deleting queues.
#
# 5.5 MQSI_COMMAND_ZOS_MQ_ECHO_RC if defined, mqsi commands display
# reason and return codes from the MQ command server when
# creating/deleting queues.
#
# 5.6 STEPLIB
# (MUST NOT CHANGE FROM DEFAULT!)
#
export _BPX_BATCH_SPAWN=NO
export MQSI_MC_MESSAGES=NO
export MQSI_COMMAND_DATABASE_ECHO=1
export MQSI_COMMAND_ZOS_MQ_ECHO=1
export MQSI_COMMAND_ZOS_MQ_ECHO_RC=1
export STEPLIB=CURRENT

#*****
# 6. Other Settings
#*****
#
# NO NEED TO CHANGE FROM DEFAULT!
#
CP=$MQSI_FILEPATH/classes
CP=$CP:$MQSI_FILEPATH/classes/config.jar
CP=$CP:$MQSI_FILEPATH/classes/ConfigManagerProxy.jar
CP=$CP:$MQSI_FILEPATH/classes/ConfigManagerProxySamples.jar
CP=$CP:$MQSI_FILEPATH/classes/configutil.jar
CP=$CP:$MQSI_FILEPATH/messages
CP=$CP:$JAVAHOME/lib
export CLASSPATH=$CP
XMLTOOLKIT=++XMLTOOLKIT++
LP=$MQSI_FILEPATH/lib/wbirf
LP=$LP:$MQSI_FILEPATH/lib/wbimb
LP=$LP:$MQSI_FILEPATH/lib
LP=$LP:$JAVAHOME/lib
LP=$LP:$JAVAHOME/bin
LP=$LP:$JAVAHOME/bin/classic
LP=$LP:$XMLTOOLKIT/lib
export LIBPATH=$LP
export PATH=$MQSI_FILEPATH/bin
export PATH=$PATH:$JAVAHOME/bin

```

---

## Security requirements for administrative tasks

You can configure Access Control List (ACL) entries to govern which users and groups can manipulate objects in the broker domain. Security requirements for administrative tasks depend on the platform that you use.

This section contains the following topics:

- “ACL permissions”
- “Security requirements for Linux and UNIX platforms” on page 684
- “Security requirements for Windows platforms” on page 685
- “Security requirements for z/OS” on page 689

---

### ACL permissions

WebSphere Message Broker uses Access Control List (ACL) entries to govern which users and groups can manipulate objects in the broker domain. There are four different access levels that can be granted for a user or group: Full, View, Deploy, and Edit. Not all access levels are valid for all object types. The following table lists the actions which can be performed by a user with a given permission:

Object	Permission	Rights
Topology	Full control	<ul style="list-style-type: none"><li>• Create and delete brokers.</li><li>• Create and delete collectives.</li><li>• Add and remove brokers from collectives.</li><li>• Create and delete connections.</li><li>• Deploy topology.</li><li>• All topology View permission rights</li><li>• Full control permission for all brokers.</li></ul>
	View	<ul style="list-style-type: none"><li>• View topology configuration and managed subcomponents.</li></ul>
Broker	Full control	<ul style="list-style-type: none"><li>• Create and delete execution groups.</li><li>• Edit all broker properties.</li><li>• All broker Deploy permission rights.</li><li>• All execution groups Full control permission rights for contained execution groups.</li><li>• All broker View permission rights.</li></ul>
	Deploy	<ul style="list-style-type: none"><li>• Deploy broker configuration.</li><li>• All broker View permission rights.</li></ul>
	View	<ul style="list-style-type: none"><li>• View broker configuration and managed subcomponents.</li><li>• Implicit view access to Topology.</li></ul>

Object	Permission	Rights
Execution group	Full control	<ul style="list-style-type: none"> <li>Edit all execution group properties.</li> <li>Start and stop execution groups.</li> <li>All execution group Deploy permission rights.</li> <li>All execution group View permission rights.</li> </ul>
	Deploy	<ul style="list-style-type: none"> <li>Deploy execution group configuration.</li> <li>Start and stop assigned message flows.</li> <li>Start and stop trace.</li> <li>All execution group View permission rights.</li> </ul>
	View	<ul style="list-style-type: none"> <li>View execution group configuration and managed subcomponents.</li> <li>Implicit View access to parent broker and topology.</li> </ul>
Root topic	Full control	<ul style="list-style-type: none"> <li>Edit "Topic Access Control List".</li> <li>All root topic Deploy permissions.</li> <li>All root topic Edit permissions.</li> <li>All root topic View permissions.</li> </ul>
	Deploy	<ul style="list-style-type: none"> <li>Deploy entire topic configuration.</li> <li>All root topic View permissions.</li> </ul>
	Edit	<ul style="list-style-type: none"> <li>Create and delete child topics.</li> <li>All root topic View permissions.</li> </ul>
	View	<ul style="list-style-type: none"> <li>View all topics (including child topics), and any managed subcomponents.</li> </ul>
Subscription	Full control	<ul style="list-style-type: none"> <li>Delete any subscription.</li> <li>All subscription "View" permissions.</li> </ul>
	View	<ul style="list-style-type: none"> <li>View or query all subscriptions and any managed subcomponents.</li> </ul>
Configuration Manager Proxy	Full control	<ul style="list-style-type: none"> <li>Full control permissions for Topology.</li> <li>Full control permissions for Root topic.</li> <li>Full control permissions for Subscriptions.</li> </ul>
	View	<ul style="list-style-type: none"> <li>View topology configuration and any managed subcomponents.</li> <li>View all topics, including child topics, and any managed subcomponents.</li> <li>View or query all subscriptions and any managed subcomponents.</li> </ul>

## Security requirements for Linux and UNIX platforms

View a summary of the authorizations in a Linux or UNIX environment.

User is...	Linux or UNIX domain
Creating a component	<ul style="list-style-type: none"> <li>Member of mqbrkrs and mqm.</li> <li>When root is used to issue the create command, it can nominate any user to run the component.</li> </ul>
Installing	<ul style="list-style-type: none"> <li>Superuser.</li> </ul>
Uninstalling	<ul style="list-style-type: none"> <li>Superuser.</li> </ul>
Changing a component	<ul style="list-style-type: none"> <li>Member of mqbrkrs.</li> </ul>
Deleting a component	<ul style="list-style-type: none"> <li>Member of mqbrkrs and mqm.</li> </ul>
Starting a component, or verifying a broker or Configuration Manager	<ul style="list-style-type: none"> <li>Member of mqbrkrs.</li> <li>Member of mqm.</li> </ul>

User is...	Linux or UNIX domain
Stopping a component	<ul style="list-style-type: none"> <li>Member of mqbrkrs.</li> <li>The user ID must either be root, or the same as the user ID that started the component.</li> <li>Member of mqm if -q is specified.</li> </ul>
Listing a component	<ul style="list-style-type: none"> <li>Member of mqbrkrs.</li> </ul>
Changing, displaying, retrieving trace information.	<ul style="list-style-type: none"> <li>Member of mqbrkrs.</li> </ul>
Running User Name Server (login ID).	<ul style="list-style-type: none"> <li>Member of mqbrkrs. The User Name Server runs under the login ID specified in the create command.</li> </ul>
Running broker (WebSphere MQ non-trusted application) (login ID).	<ul style="list-style-type: none"> <li>Member of mqbrkrs.</li> <li>The broker runs under the login ID that started it.</li> <li>If root started the component then the broker runs under the login ID specified as the service ID in the create command.</li> </ul>
Running broker (WebSphere MQ trusted application) (login ID).	<ul style="list-style-type: none"> <li>Login ID must be mqm.</li> <li>mqm must be a member of mqbrkrs.</li> </ul>
Clearing, joining, listing WebSphere MQ publish/subscribe brokers.	<ul style="list-style-type: none"> <li>Member of mqbrkrs.</li> </ul>
Running publish/subscribe applications.	<ul style="list-style-type: none"> <li>Any user, subject to topic and WebSphere MQ queue access control.</li> </ul>

When the service user ID is root, all of the libraries loaded by the broker, including all of the user-written plug-in libraries and all of the shared libraries that they might access, also have root access to all of the system resources (for example, file sets). Review and assess the risk involved in granting this level of authorization.

## Security requirements for Windows platforms

Security requirements depend on the administrative task that you want to perform.

The following table summarizes the requirements for administrative tasks. It shows what group membership is required if you are using a local security domain defined on your local system SALONE, or a primary domain named PRIMARY, or a trusted domain named TRUSTED. The contents of this table assume that you have created both the Configuration Manager and the User Name Server with the same security domain.

User is...	Local domain (SALONE)	Primary domain (PRIMARY) / Windows Single domain (PRIMARY)	Trusted domain (TRUSTED) / Windows Parent/Child domain in domain tree (TRUSTED)
Creating a broker, Configuration Manager, User Name Server, or database (with mqsicreatedb)	<ul style="list-style-type: none"> <li>Must be a user ID defined in SALONE</li> <li>Member of Administrators</li> </ul>	<ul style="list-style-type: none"> <li>Must be a user ID defined in PRIMARY</li> <li>Member of SALONE\Administrators</li> </ul>	<ul style="list-style-type: none"> <li>Must be a user ID defined in TRUSTED</li> <li>Member of SALONE\Administrators</li> </ul>
Changing a broker, Configuration Manager, User Name Server, DatabaseInstanceMgr	<ul style="list-style-type: none"> <li>Must be a user ID defined in SALONE</li> <li>Member of Administrators</li> </ul>	<ul style="list-style-type: none"> <li>Must be a user ID defined in PRIMARY</li> <li>Member of SALONE\Administrators</li> </ul>	<ul style="list-style-type: none"> <li>Must be a user ID defined in TRUSTED</li> <li>Member of SALONE\Administrators</li> </ul>

User is...	Local domain (SALONE)	Primary domain (PRIMARY) / Windows Single domain (PRIMARY)	Trusted domain (TRUSTED) / Windows Parent/Child domain in domain tree (TRUSTED)
Deleting a broker, Configuration Manager, User Name Server, or database (with mqsideletedb)	<ul style="list-style-type: none"> <li>Member of Administrators</li> </ul>	<ul style="list-style-type: none"> <li>Member of SALONE\Administrators</li> </ul>	<ul style="list-style-type: none"> <li>Member of SALONE\Administrators</li> </ul>
Starting a broker, Configuration Manager, User Name Server, or DatabaseInstanceMgr, or running the verification command mqsicvp	<ul style="list-style-type: none"> <li>Member of Administrators</li> </ul>	<ul style="list-style-type: none"> <li>Member of SALONE\Administrators</li> </ul>	<ul style="list-style-type: none"> <li>Member of SALONE\Administrators</li> </ul>
Listing a broker, Configuration Manager, User Name Server, or DatabaseInstanceMgr	<ul style="list-style-type: none"> <li>Must be a user ID defined in SALONE</li> <li>User ID must have the authority to query the registry values under WebSphereMQIntegrator entry in the registry.</li> <li>Member of mqbrkrs if issuing the command: <code>mqsilist broker_name execution_group_name</code></li> </ul>	<ul style="list-style-type: none"> <li>Must be a user ID defined in PRIMARY</li> <li>User ID must have the authority to query the registry values under WebSphereMQIntegrator entry in the registry.</li> <li>Member of PRIMARY\Domain mqbrkrs if issuing the command: <code>mqsilist broker_name execution_group_name</code></li> </ul>	<ul style="list-style-type: none"> <li>Must be a user ID defined in TRUSTED</li> <li>User ID must have the authority to query the registry values under WebSphereMQIntegrator entry in the registry.</li> <li>Member of TRUSTED\Domain mqbrkrs if issuing the command: <code>mqsilist broker_name execution_group_name</code></li> </ul>
Changing, displaying, retrieving trace information	<ul style="list-style-type: none"> <li>Must be a user ID defined in SALONE</li> <li>Member of mqbrkrs</li> </ul>	<ul style="list-style-type: none"> <li>Must be a user ID defined in PRIMARY</li> <li>Member of PRIMARY\Domain mqbrkrs</li> </ul>	<ul style="list-style-type: none"> <li>Must be a user ID defined in TRUSTED</li> <li>Member of TRUSTED\Domain mqbrkrs</li> </ul>
Running a User Name Server (service user ID)	<ul style="list-style-type: none"> <li>Must be a user ID defined in SALONE</li> <li>Member of mqbrkrs</li> <li>Must have the <i>Logon as a service</i> privilege in the Windows Local Security Policy</li> </ul>	<ul style="list-style-type: none"> <li>Must be a user ID defined in PRIMARY</li> <li>Member of PRIMARY\Domain mqbrkrs</li> <li>Must have the <i>Logon as a service</i> privilege in the Windows Local Security Policy</li> </ul>	<ul style="list-style-type: none"> <li>Must be a user ID defined in TRUSTED</li> <li>Member of TRUSTED\Domain mqbrkrs</li> <li>Must have the <i>Logon as a service</i> privilege in the Windows Local Security Policy</li> </ul>
Running a DatabaseInstanceMgr (service user ID)	<ul style="list-style-type: none"> <li>Must be a user ID defined in SALONE</li> <li>Member of mqbrkrs</li> </ul>	<ul style="list-style-type: none"> <li>Must be a user ID defined in PRIMARY</li> <li>Member of PRIMARY\Domain mqbrkrs</li> </ul>	<ul style="list-style-type: none"> <li>Must be a user ID defined in TRUSTED</li> <li>Member of TRUSTED\Domain mqbrkrs</li> </ul>
Running a Configuration Manager (service user ID)	<ul style="list-style-type: none"> <li>Must be a user ID defined in SALONE</li> <li>Member of mqbrkrs</li> <li>Member of mqm</li> <li>Member of Administrators</li> <li>Must have the <i>Logon as a service</i> privilege in the Windows Local Security Policy</li> </ul>	<ul style="list-style-type: none"> <li>Must be a user ID defined in PRIMARY</li> <li>Member of PRIMARY\Domain mqbrkrs</li> <li>Member of SALONE\mqm<sup>1</sup></li> <li>Member of SALONE/Administrators</li> <li>Must have the <i>Logon as a service</i> privilege in the Windows Local Security Policy</li> </ul>	<ul style="list-style-type: none"> <li>Must be a user ID defined in TRUSTED</li> <li>Member of TRUSTED\Domain mqbrkrs</li> <li>Member of SALONE\mqm<sup>2</sup></li> <li>Member of SALONE/Administrators</li> <li>Must have the <i>Logon as a service</i> privilege in the Windows Local Security Policy</li> </ul>

User is...	Local domain (SALONE)	Primary domain (PRIMARY) / Windows Single domain (PRIMARY)	Trusted domain (TRUSTED) / Windows Parent/Child domain in domain tree (TRUSTED)
Running a broker (WebSphere MQ fastpath off) (service user ID)	<ul style="list-style-type: none"> <li>• Must be a user ID defined in SALONE</li> <li>• Member of mqbrkrs</li> <li>• Must have the <i>Logon as a service</i> privilege in the Windows Local Security Policy</li> </ul>	<ul style="list-style-type: none"> <li>• Must be a user ID defined in PRIMARY</li> <li>• Member of PRIMARY\Domain mqbrkrs</li> <li>• Must have the <i>Logon as a service</i> privilege in the Windows Local Security Policy</li> </ul>	<ul style="list-style-type: none"> <li>• Must be a user ID defined in TRUSTED</li> <li>• Member of TRUSTED\Domain mqbrkrs</li> <li>• Must have the <i>Logon as a service</i> privilege in the Windows Local Security Policy</li> </ul>
Running a broker (WebSphere MQ fastpath on) (service user ID)	<ul style="list-style-type: none"> <li>• Must be a user ID defined in SALONE</li> <li>• Member of mqbrkrs</li> <li>• Member of mqm</li> <li>• Must have the <i>Logon as a service</i> privilege in the Windows Local Security Policy</li> </ul>	<ul style="list-style-type: none"> <li>• Must be a user ID defined in PRIMARY</li> <li>• Member of PRIMARY\Domain mqbrkrs</li> <li>• Member of SALONE\mqm</li> <li>• Must have the <i>Logon as a service</i> privilege in the Windows Local Security Policy</li> </ul>	<ul style="list-style-type: none"> <li>• Must be a user ID defined in TRUSTED</li> <li>• Member of TRUSTED\Domain mqbrkrs</li> <li>• Member of SALONE\mqm</li> <li>• Must have the <i>Logon as a service</i> privilege in the Windows Local Security Policy</li> </ul>
Clearing, joining, or listing WebSphere MQ Publish/Subscribe brokers	<ul style="list-style-type: none"> <li>• Must be a user ID defined in SALONE</li> <li>• Member of mqbrkrs</li> </ul>	<ul style="list-style-type: none"> <li>• Must be a user ID defined in PRIMARY</li> <li>• Member of PRIMARY\Domain mqbrkrs</li> </ul>	<ul style="list-style-type: none"> <li>• Must be a user ID defined in TRUSTED</li> <li>• Member of TRUSTED\Domain mqbrkrs</li> </ul>
Running a Message Broker Toolkit <sup>3</sup>	<ul style="list-style-type: none"> <li>• Must be a user ID defined in SALONE<sup>4</sup>. For example, SALONE\User1 is valid, PRIMARY\User2 and TRUSTED\User3 are not.</li> </ul>	<ul style="list-style-type: none"> <li>• Regardless of whether domain awareness is enabled, when using Message Broker Toolkit ACLs, user IDs must be members of any local ACL groups created on SALONE.</li> </ul>	<ul style="list-style-type: none"> <li>• Regardless of whether domain awareness is enabled, when using Message Broker Toolkit ACLs, user IDs must be members of any local ACL groups created on SALONE.</li> </ul>
Running publish/subscribe applications	<ul style="list-style-type: none"> <li>• Must be a user ID defined in SALONE. For example, SALONE\User1 is valid, PRIMARY\User2 and TRUSTED\User3 are not.</li> </ul>	<ul style="list-style-type: none"> <li>• Must be a user ID defined in PRIMARY. For example, PRIMARY\User2 is valid, SALONE\User1 and TRUSTED\User3 are not.</li> </ul>	<ul style="list-style-type: none"> <li>• Must be a user ID defined in TRUSTED. For example, TRUSTED\User3 is valid, SALONE\User1 and PRIMARY\User2 are not.</li> </ul>

**Notes:**

1. If you are running in a primary domain, you can also:
  - Define the user ID in the domain PRIMARY.
  - Add this ID to the group PRIMARY\Domain mqm.
  - Add the PRIMARY\Domain mqm group to the group SALONE\mqm.
2. If you are running in a trusted domain, you can also:
  - Define the user ID in the domain TRUSTED.
  - Add this ID to the group TRUSTED\Domain mqm.
  - Add the TRUSTED\Domain mqm group to the group SALONE\mqm.
3. All Message Broker Toolkit users need read access to the WebSphere MQ java \lib subdirectory of the WebSphere MQ home directory (the default location is X:\Program Files \WebSphere MQ , where X: is the operating system disk). This access is restricted to users

in the local group mqm by WebSphere MQ. WebSphere Message Broker installation overrides this restriction and gives read access for this subdirectory to all users.

4. If a valid user ID is defined in the domain used by the Configuration Manager (for example, PRIMARY\User4), an identical user defined in a different domain (for example, DOMAIN2\User4) can access the Message Broker Toolkit with the authorities of PRIMARY\User4.

The following general notes also apply:

1. Ensure that the service user ID has the required access to relevant directories of the product directory tree; for example, write access to the logs directory. If you have set a workpath for any component to a non-default value, ensure that the services user ID has appropriate access to this location.
2. If you are running a Configuration Manager with one user ID and a broker with a different user ID on another computer, you might see an error message when trying to deploy message flows and message sets to the broker. To avoid this error:
  - Ensure that the broker's user ID is a member of the mqm and mqbrkrs groups.
  - Define the user ID for the broker on the computer where the Configuration Manager is running.
  - Define the user ID for the Configuration Manager on the computer where the broker is running.
  - Ensure that all user IDs are in lowercase so that they are compatible between computers.

## Broker security requirements on Windows Vista and Windows Server 2008

On Windows Vista and Windows Server 2008, the service user ID must be a member of the Administrators group.

## Broker security requirements on Windows XP and Windows Server 2003

On Windows XP and Windows Server 2003, the service user ID must be a member of the mqbrkrs group and optionally a member of the Administrators group. As a member of the Administrators group, the service user ID has permission to access the registry keys of the broker so that it can access broker information. If the service user ID does not belong to the Administrators group, you can edit the Windows registry so that the service user ID can access the registry keys without having Administrators permissions.

The instructions for both operating systems are identical except where stated.

1. Click **Start** → **Run**, enter `regedit`, and click **OK**. The Registry Editor opens.
2. In the left pane, navigate to `HKEY_LOCAL_MACHINE\SOFTWARE\IBM\WebSphereMQIntegrator` (on 32-bit operating system editions) or `HKEY_LOCAL_MACHINE\SOFTWARE\Wow6432Node\IBM\WebSphereMQIntegrator` (for 64-bit operating system editions).
3. Right-click **WebSphereMQIntegrator** and select **Permissions**. The Permissions for WebSphereMQIntegrator window opens.
4. Click **Add** below the list of Group or user names. The Select Users or Groups window opens.



5. Click **Advanced** and then **Find Now** to list the current users and groups. From the list, select the mqbrkrs group to highlight it, and click **OK** twice.
6. Click **Advanced** on the Permissions for WebSphereMQIntegrator window to set special permissions. The Advanced Security Settings for WebSphereMQIntegrator window opens.
7. Highlight mqbrkrs and click **Edit**. The Permission Entry for WebSphereMQIntegrator window opens.
8. Select **Set Value**, **Create Subkey**, and **Delete** and click **OK**.
9. Ensure on Windows Server 2003 that **Allow inheritable permissions** is selected, or on Windows XP that **Inherit from parent** is selected, and click **OK**.
10. Click **OK** to close the remaining windows, and then close the Registry Editor.

---

## Security requirements for z/OS

This table is a summary of the UNIX System Services file access authorizations in a z/OS environment.

User is...	File access
Creating broker, User Name Server, Configuration Manager	<ul style="list-style-type: none"> <li>• <i>READ</i> and <i>WRITE</i> access to the component directory by the z/OS user ID issuing the command</li> <li>• The broker, User Name Server and Configuration Manager run under their z/OS assigned started task ID</li> </ul>
Installing	<ul style="list-style-type: none"> <li>• <i>READ</i> and <i>WRITE</i> access to the installation directory by the z/OS user ID installing the product</li> </ul>
Uninstalling	<ul style="list-style-type: none"> <li>• <i>READ</i> and <i>WRITE</i> access to the installation directory by the z/OS user ID uninstalling the product</li> </ul>
Changing broker, User Name Server, Configuration Manager	<ul style="list-style-type: none"> <li>• <i>READ</i> and <i>WRITE</i> access to the component directory by the z/OS user ID issuing the command</li> </ul>
Deleting broker, User Name Server, Configuration Manager	<ul style="list-style-type: none"> <li>• <i>READ</i> and <i>WRITE</i> access to the component directory by the z/OS user ID issuing the command</li> </ul>
Starting broker, User Name Server, Configuration Manager	<ul style="list-style-type: none"> <li>• <i>READ</i> and <i>WRITE</i> access to the component directory by the z/OS assigned started task user ID</li> </ul>
Stopping broker, User Name Server, Configuration Manager	<ul style="list-style-type: none"> <li>• <i>READ</i> and <i>WRITE</i> access to the component directory by the z/OS assigned started task user ID</li> </ul>
Listing broker, User Name Server, Configuration Manager	<ul style="list-style-type: none"> <li>• <i>READ</i> and <i>WRITE</i> access to the component directory by the z/OS user ID issuing the command</li> </ul>
Changing, displaying, retrieving trace information.	<ul style="list-style-type: none"> <li>• <i>READ</i> and <i>WRITE</i> access to the component directory by the z/OS user ID issuing the command</li> </ul>
Clearing, joining, listing WebSphere MQ publish/subscribe brokers.	<ul style="list-style-type: none"> <li>• <i>READ</i> and <i>WRITE</i> access to the component directory by the z/OS assigned started task user ID</li> <li>• Member of <b>mqbrkrs</b> group</li> </ul>
Running publish/subscribe applications.	<ul style="list-style-type: none"> <li>• Any user, subject to topic and WebSphere MQ queue access control.</li> </ul>



---

## Part 5. Appendixes



---

## Appendix. Notices for WebSphere Message Broker

This information was developed for products and services offered in the U.S.A.

IBM may not offer the products, services, or features discussed in this information in other countries. Consult your local IBM representative for information on the products and services currently available in your area. Any reference to an IBM product, program, or service is not intended to state or imply that only that IBM product, program, or service may be used. Any functionally equivalent product, program, or service that does not infringe any IBM intellectual property right may be used instead. However, it is the user's responsibility to evaluate and verify the operation of any non-IBM product, program, or service.

IBM may have patents or pending patent applications covering subject matter described in this information. The furnishing of this information does not give you any license to these patents. You can send license inquiries, in writing, to:

*IBM Director of Licensing  
IBM Corporation  
North Castle Drive  
Armonk, NY 10504-1785  
U.S.A.*

For license inquiries regarding double-byte (DBCS) information, contact the IBM Intellectual Property Department in your country or send inquiries, in writing, to:

*IBM World Trade Asia Corporation  
Licensing  
2-31 Roppongi 3-chome, Minato-ku  
Tokyo 106-0032,  
Japan*

**The following paragraph does not apply to the United Kingdom or any other country where such provisions are inconsistent with local law:**

INTERNATIONAL BUSINESS MACHINES CORPORATION PROVIDES THIS PUBLICATION "AS IS" WITHOUT WARRANTY OF ANY KIND, EITHER EXPRESS OR IMPLIED, INCLUDING, BUT NOT LIMITED TO, THE IMPLIED WARRANTIES OF NON-INFRINGEMENT, MERCHANTABILITY OR FITNESS FOR A PARTICULAR PURPOSE. Some states do not allow disclaimer of express or implied warranties in certain transactions, therefore, this statement may not apply to you.

This information could include technical inaccuracies or typographical errors. Changes are periodically made to the information herein; these changes will be incorporated in new editions of the information. IBM may make improvements and/or changes in the product(s) and/or the program(s) described in this information at any time without notice.

Any references in this information to non-IBM Web sites are provided for convenience only and do not in any manner serve as an endorsement of those Web sites. The materials at those Web sites are not part of the materials for this IBM product and use of those Web sites is at your own risk.

IBM may use or distribute any of the information you supply in any way it believes appropriate without incurring any obligation to you.

Licensees of this program who wish to have information about it for the purpose of enabling: (i) the exchange of information between independently created programs and other programs (including this one) and (ii) the mutual use of the information which has been exchanged, should contact:

*IBM United Kingdom Laboratories,  
Mail Point 151,  
Hursley Park,  
Winchester,  
Hampshire,  
England  
SO21 2JN*

Such information may be available, subject to appropriate terms and conditions, including in some cases, payment of a fee.

The licensed program described in this information and all licensed material available for it are provided by IBM under terms of the IBM Customer Agreement, IBM International Programming License Agreement, or any equivalent agreement between us.

Any performance data contained herein was determined in a controlled environment. Therefore, the results obtained in other operating environments may vary significantly. Some measurements may have been made on development-level systems and there is no guarantee that these measurements will be the same on generally available systems. Furthermore, some measurements may have been estimated through extrapolation. Actual results may vary. Users of this document should verify the applicable data for their specific environment.

Information concerning non-IBM products was obtained from the suppliers of those products, their published announcements or other publicly available sources. IBM has not tested those products and cannot confirm the accuracy of performance, compatibility or any other claims related to non-IBM products. Questions on the capabilities of non-IBM products should be addressed to the suppliers of those products.

All statements regarding IBM's future direction or intent are subject to change or withdrawal without notice, and represent goals and objectives only.

This information includes examples of data and reports used in daily business operations. To illustrate them as completely as possible, the examples include the names of individuals, companies, brands, and products. All of these names are fictitious and any similarity to the names and addresses used by an actual business enterprise is entirely coincidental.

#### COPYRIGHT LICENSE:

This information contains sample application programs in source language, which illustrate programming techniques on various operating platforms. You may copy, modify, and distribute these sample programs in any form without payment to IBM, for the purposes of developing, using, marketing or distributing application programs conforming to the application programming interface for the operating platform for which the sample programs are written. These examples have not

been thoroughly tested under all conditions. IBM, therefore, cannot guarantee or imply reliability, serviceability, or function of these programs.

Each copy or any portion of these sample programs or any derivative work, must include a copyright notice as follows:

(C) *(your company name) (year)*. Portions of this code are derived from IBM Corp. Sample Programs. © Copyright IBM Corp. *\_enter the year or years\_*. All rights reserved.

---

## Trademarks in the WebSphere Message Broker information center

IBM, the IBM logo, and [ibm.com](http://ibm.com) are trademarks or registered trademarks of International Business Machines Corporation in the United States, other countries, or both. If these and other IBM trademarked terms are marked on their first occurrence in this information with a trademark symbol (<sup>®</sup> or <sup>™</sup>), these symbols indicate U.S. registered or common law trademarks owned by IBM at the time this information was published. Such trademarks may also be registered or common law trademarks in other countries. A current list of IBM trademarks is available on the Web at Copyright and trademark information at [www.ibm.com/legal/copytrade.shtml](http://www.ibm.com/legal/copytrade.shtml).

Adobe, the Adobe logo, PostScript, and the PostScript logo are either registered trademarks or trademarks of Adobe Systems Incorporated in the United States, and/or other countries.

Intel and Pentium are trademarks of Intel Corporation in the United States and other countries.

Linux is a registered trademark of Linus Torvalds in the United States, other countries, or both.

Microsoft and Windows are trademarks of Microsoft Corporation in the United States, other countries, or both.

UNIX is a registered trademark of The Open Group in the United States and other countries.

Java and all Java-based trademarks are trademarks of Sun Microsystems, Inc. in the United States, other countries, or both.

Other company, product, or service names may be trademarks or service marks of others.





---

# Index

## A

- access control lists 76
- accessing runtime resources 18
  - configuring 54
  - permissions 683
- administration
  - broker domain 315
  - security requirements 683
  - z/OS 629
- authentication 10
  - configuring 36
    - LDAP 36
    - TFIM 37
  - implementing 57
  - services 81
  - SSL 25
- authorization 11
  - configuring 39
    - LDAP 39
    - TFIM 41
  - for configuration tasks 17

## B

- backup
  - broker domain
    - distributed systems 332
    - z/OS 334
  - resources 332
    - Message Brokers toolkit workspace 335
- Broker Administration perspective
  - changing preferences 303
- broker database
  - connections 110
- broker domain
  - adding a broker 250
  - administration 315
  - configuring 95
    - components 173
    - in the workbench 245
  - configuring locales 305
    - code page converters 308
    - generating code page converters 309
    - UNIX 305
    - using converters from a previous product level 310
    - Windows 307
    - z/OS 308
  - connecting and disconnecting 315
  - connecting and disconnecting on z/OS 316
  - default configuration 213
  - designing 95
  - log information
    - clearing 329
    - filtering 327
    - refreshing 327
    - saving 329

- broker domain (*continued*)
  - log information (*continued*)
    - viewing 326
  - removing a broker 253
- broker domains
  - security 45
- broker networks 259
  - heterogeneous 263
  - migrated 263
- broker publish/subscribe engine
  - checking status 224
  - disabling 225
  - enabling 226
- broker statistics, collecting on z/OS 169
- Broker Topology editor
  - changing properties 263
- brokers
  - adding 250
  - broker registry properties 437
  - changing 227
    - Linux and UNIX systems 228
    - Windows 229
    - z/OS 231
  - checks when starting 616
  - cloned 262
  - connecting a user name server 208
  - connecting in a collective 264
  - copying 251
  - creating 174
    - Linux 176
    - UNIX 176
    - Windows 178
  - customizing a new broker on z/OS 179
  - component dataset
    - operations 183
  - Component information 181
  - copying the started task 186
  - creating the broker
    - component 186
  - creating the broker directory 182
  - creating the broker PDSE 182
  - creating the environment file 184
  - customizing the JCL 183
  - DB2 information 180
  - installation information 180, 203
  - JCL variables 645
  - priming DB2 185
  - required information 180
  - sample files 646
- deleting 240
  - Linux and UNIX systems 241
  - Windows 241
  - z/OS 241
- execution groups, adding 255
- execution groups, copying 256
- HTTP and HTTPSConnector
  - properties (SOAP nodes) 453
- httplistener properties (HTTP nodes) 455

## brokers (*continued*)

- inter-broker communications
  - properties
    - clones 458
    - collectives 457
  - JVM properties 459
  - modifying 227
    - Linux and UNIX systems 228
    - Windows 229
    - z/OS 231
  - properties 363
    - changing 252
  - PublishSubscribe configurable service
    - properties 451
  - Real-time node properties 459
  - removing 253
  - removing deployed children 254
  - renaming 253
- sample files, z/OS
  - BIPBPROF 647
  - BIPBRKP 652
  - BIPCBRK 655
  - BIPCRDB 663
  - BIPDSNAO 673
  - BIPEDIT 674
  - BIPGEN 675
- security 49
- securitycache component
  - properties 465
- SecurityProfiles configurable service
  - properties 452
- service ID 49
- starting and stopping 319
  - UNIX 319
  - Windows 320
  - z/OS 320
- tuning 219
  - increasing stack size on Windows, Linux, UNIX 220
  - increasing stack size on z/OS 220
  - publish/subscribe
    - performance 221
    - setting the JVM heap size 220
  - user name server, connecting on z/OS 209
  - WebSphere MQ resources 100
  - WSRR properties 465

## C

- c security on z/OS 212
- channels, starting WebSphere MQ 210
- characters allowed in commands 374
- ClearCase 304
- cloned brokers 262
  - adding 273
  - defining 273
  - deleting 274
- code page converters 308
  - new 309

- code page converters (*continued*)
  - using converters from a previous product level 310
- collectives 260
  - adding a broker 265
  - creating 264
  - deleting 264
  - removing a broker 265
- Command Assistant wizard 215
- commands 365
  - characters allowed in 374
  - mqscreatedb 510
  - responses to 376
  - rules for using 375
  - runtime 397
    - mqsi\_setupdatabase 615
    - mqsibackupconfigmgr 398
    - mqsichangebroker 399
    - mqsichangeconfigmgr 410
    - mqsichangedbimgr 414
    - mqsichangeflowmonitoring 416
    - mqsichangeflowstats 421
    - mqsichangeflowuserexits 428
    - mqsichangeproperties 432
    - mqsichangetrace 466
    - mqsichangeusernameserver 474
    - mqsiclearmqpubsub 478
    - mqsicreateaclentry 479
    - mqsicreatebroker 487
    - mqsicreateconfigmgr 500
    - mqsicreateconfigurableservice 507
    - mqsicreatedb 510
    - mqsicreateexecutiongroup 512
    - mqsicreateusernameserver 514
    - mqsicvcp 520
    - mqsideleteaclentry 522
    - mqsideletebroker 529
    - mqsideleteconfigmgr 531
    - mqsideleteconfigurableservice 535
    - mqsideletedb 536
    - mqsideleteexecutiongroup 537
    - mqsideleteusernameserver 540
    - mqsidedeploy 542
    - mqsiformatlog 551
    - mqsijoinmqpubsub 552
    - mqsilist 554
    - mqsilistaclentry 556
    - mqsilistmqpubsub 564
    - mqsimanagexalinks 566
    - mqsimigratecomponents 569
    - mqsimode 574
    - mqsireadlog 579
    - mqsireload 583
    - mqsireloadsecurity 585
    - mqsireportflowmonitoring 588
    - mqsireportflowstats 593
    - mqsireportflowuserexits 597
    - mqsireportproperties 599
    - mqsireporttrace 604
    - mqsirestoreconfigmgr 608
    - mqsisetdbparms 609
    - mqsisetsecurity 614
    - mqsistart 616
    - mqsistartmsgflow 619
    - mqsistop 622
    - mqsistopmsgflow 626
  - runtime and toolkit 377

- commands (*continued*)
  - mqsiaapplybaroverride 377
  - mqsireadbar 380
  - syntax preference 370
    - dotted decimal diagrams 373
    - railroad diagrams 371
  - toolkit 381
    - mqsicreatebar 382
    - mqsicreatemsgdefs 384
    - mqsicreatemsgdefs C options
      - files 386
    - mqsicreatemsgdefs COBOL options
      - file 388
    - mqsicreatemsgdefs default options
      - file 391
    - mqsicreatemsgdefs XSD options
      - file 390
    - mqsicreatemsgdefsfromwsdl 393
    - mqsimigratemfmaps 395
  - z/OS console
    - guidance on using 630
    - issuing to 629
  - components
    - connecting 217
    - definition on z/OS 151
    - directory 151
    - PDSE 152
    - verifying 217
  - configurable services
    - creating 507
    - deleting 535
    - displaying 599
    - FtpServer 449
    - properties 438
    - PublishSubscribe 451
    - SecurityProfiles 452
  - configuration
    - authorization 17
    - broker database 110
    - broker domain 95
      - components 173
      - in the workbench 245
    - database
      - authorizing access 120
      - connecting to 124
      - creating 113
      - creating a DB2 database on UNIX systems 115
      - creating a DB2 database on
        - Windows 114
      - customizing 116
      - global coordination of transactions 121
      - issuing database commands 118
      - JDBC connections 140
      - retained publications with a Sybase
        - database 147
        - using Derby databases on Windows 117
    - default 213
    - publish/subscribe topology 258
    - timeouts 223
  - Configuration Manager
    - changing 233
      - Linux and UNIX systems 234
      - Windows 235
      - z/OS 235

- Configuration Manager (*continued*)
  - checks when starting 616
  - creating 188
    - AIX 189
    - HP-UX 190
    - Linux 190
    - Solaris 191
    - Windows 192
  - creating on z/OS 193
    - component information 194
    - copying the started task 198
    - creating the component 197
    - creating the directory 195
    - creating the PDSE 195
    - Customizing the component data set 195
    - customizing the JCL 196
    - information required 193
    - installation information 194
  - deleting 242
    - Linux and UNIX systems 242
    - Windows 243
    - z/OS 243
  - modifying 233
  - moving to new queue manager 236
  - sample files, z/OS
    - BIPCMGR 657
    - BIPCPROF 659
    - BIPRCRM 662
  - security 52
  - service ID 52
  - starting and stopping 321
    - Linux and UNIX systems 321
    - Windows 321
    - z/OS 322
  - WebSphere MQ resources 101
  - configuring authentication 36
    - LDAP 36
    - TFIM 37
  - configuring authorization 39
    - LDAP 39
    - TFIM 41
  - configuring identity 34
  - configuring identity mapping 38
  - creating a security profile 28
  - creating user IDs 46
  - customization
    - z/OS 632
      - broker PDSE, contents of 641
      - Configuration Manager PDSE, contents of 643
      - DB2 using data-sharing groups 639
      - disk space requirements 639
      - naming conventions 632
      - overview 150
      - planning checklist 640
      - summary of required access 634
      - tasks and roles 633
      - User Name Server PDSE, contents of 642
    - z/OS environment 148
      - APF attributes, checking 168
      - Automatic Restart Manager
        - planning 166
      - DB2 planning 161
      - event log messages 153

- customization (*continued*)
  - z/OS environment (*continued*)
    - file system, mounting 167
    - file system, using 153
  - installation directory, checking permission of 167
  - level of Java, checking 168
  - resource recovery service planning 165
  - shared libraries 159
  - temporary directories 159
  - UNIX system services 159
  - z/OS workload manager, defining started tasks to 165
- CVS 303

**D**

- data-sharing groups, binding a DB2 plan to 152
- database connections
  - broker database 110
  - ODBC drivers 124
  - user database 112
- Database Instance Manager 117
- databases
  - accessing
    - setting your environment 139
  - authorizing access 120
  - configuring a JDBC provider 141
  - connecting to 124
    - on Windows 127
  - creating 113
  - customizing 116
  - database commands, issuing 118
  - DB2 on UNIX systems, creating 115
  - DB2 on Windows, creating 114
  - Derby databases on Windows, using 117
  - JDBC connections 140
    - authorizing access to resources 147
    - global coordination of transactions 144
    - securing 144
  - naming conventions 98
  - ODBC connections
    - on Linux and UNIX (32-bit) 129
    - on Linux and UNIX (64-bit) 134
  - security 70
  - Sybase, retained publications 147
- DbInstMgr 117
- Default Configuration wizard 213
- default stack size 220
- deployment
  - deployed children
    - removing from broker 254
    - removing from execution group 258
- development resources, security for 18
- directories, components 151
- domain awareness 27
  - enabling and disabling 47
- domain components
  - ACL security 54
- domain connections
  - changing properties 248

- domain connections (*continued*)
  - creating 246
  - deleting 249
  - properties 248
- dotted decimal diagrams, reading 373

**E**

- error logs
  - broker domain logs
    - clearing 329
    - filtering 327
    - refreshing 327
    - saving 329
    - viewing 326
- Event Log editor
  - changing preferences 331
- exception processing
  - security 17
- execution groups
  - adding 255
    - command line, using 187
    - z/OS 188
  - configuring as non-swappable on z/OS 169
  - copying 256
  - deleting 257
  - deleting through command line 239
  - deployed children, removing 258
  - properties, changing 256
  - renaming 257

**F**

- fastpath applications 175

**G**

- global coordination
  - 32-bit queue manager (DB2) 281
  - 32-bit queue manager (Informix) 286
  - 32-bit queue manager (Oracle) 291
  - 64-bit queue manager (DB2) 283
  - 64-bit queue manager (Informix) 288
  - 64-bit queue manager (Oracle) 295
  - configuration
    - databases 121
  - Sybase 299

**H**

- high-volume publish/subscribe on z/OS 272
- HTTP tunneling 26
  - implementing 69

**I**

- identity 8
  - configuring 34
  - mapping 13
    - configuring 38
  - propagation 16
    - configuring a message flow for 44

- installation
  - directory 151
  - INSTPATH 151
  - security 27

**J**

- JDBC provider
  - authorizing access to resources 147
  - creating and configuring 141
  - global coordination of transactions 144
  - securing connections 144
- JVM heap size 220
- JVM properties 459

**L**

- LDAP
  - security profiles 29
- leaf nodes 263
- listeners, starting WebSphere MQ 210
- locales
  - changing 305
- logs
  - broker domain logs
    - clearing 329
    - filtering 327
    - refreshing 327
    - saving 329
    - viewing 326

**M**

- message flow security 4
  - configuring 28
- message flows
  - database
    - connections 112
    - FtpServer configurable service properties 449
    - global coordination of transactions databases 121
    - HTTP and HTTPSConnector properties (SOAP nodes) 453
    - httplistener properties (HTTP nodes) 455
    - starting 318
    - stopping 318
    - throughput, optimizing 104
  - message protection 83
    - using for Real-time connections 90
  - message serialization
    - input between separate brokers 154
    - input between separate execution groups 156
    - input within an execution group 157
    - overview of 154
    - user tasks 158
- mqbrkrs group 76
- multicast brokers
  - choosing a protocol 271
  - mqsisetproperties command 265
  - setup parameters 265
- multicast protocols 271
- multicast publish/subscribe 261

multicast topics 272

## N

National Language Support  
UNIX syslog 305

## O

ODBC

32-bit connection, defining on Linux  
and UNIX 129

64-bit connection, defining on Linux  
and UNIX 134

connection

defining on Windows 127

odbc32.ini sample file 339

odbc64.ini sample file 347

operation mode

changing 232

Example: Changing the operation  
mode 579

Example: Changing the Trial  
Edition to the full edition 579

Moving from Trial Edition 232

checking 233

restrictions 364

Oracle

granting user access 70

revoking user access 70

order

choosing messaging processing  
order 104

## P

parent nodes 263

password authentication 81

mutual challenge-response 81

telnet-like 81

performance

considerations for design 103

message flow throughput 104

planning

database naming conventions 98

product component naming

conventions 96

resource naming conventions 96

WebSphere MQ naming

conventions 97

product component naming

conventions 96

profiles, security 7

projects

working sets 304

public key cryptography 20

publish/subscribe

adding a topic 275

checking status 224

configuring a topology 258

deleting a topic 276

disabling the broker engine 225

enabling applications 212

enabling the broker engine 226

multicast 261

querying a subscription 276

publish/subscribe (*continued*)

securing the domain 84

security 75

enabling applications on

z/OS 212

topic-based 76

topologies 259

WebSphere MQ Version 7 support 99

## Q

quality of protection 26

implementing 70

queue managers

starting as a Windows service 325

stopping 326

## R

railroad diagrams, reading 371

Real-time connections, message

protection 90

repositories, ClearCase 304

repositories, CVS 303

resources

resource naming conventions 96

responses to commands 376

rules

using commands 375

runtime resources

controlling access 18

security for 18

## S

sample file

odbc32.ini 339

odbc64.ini 347

security 3

access control list (ACL)

permissions 683

access control lists 18

administrative tasks 683

authentication 10

configuring 36

authorization 11

configuring 39

TFIM and TAM 14

broker 49

broker domain 45

Configuration Manager 52

configuring authentication 36

LDAP 36

TFIM 37

configuring authorization 39

LDAP 39

TFIM 41

configuring identity 34

configuring identity mapping 38

databases 70

development resources 18

diagnosing problems 45

digital certificates 22

digital signatures 24

domain components 54

security (*continued*)

domain, changing for the User Name  
Server 56

exception processing 17

exceptions, diagnosing 45

exits 20

invoking 69

identity 8

configuring 34

identity mapping 13

configuring 38

identity propagation 16

configuring a message flow

for 44

message flow 4

configuring 28

message flow for identity propagation,

configuring 44

planning for installation 27

profiles 7

creating 28

LDAP 29

TFIM 33

public key cryptography 20

quality of protection 26

runtime resources 18

topic-based 66, 84

UNIX 684

User Name Server 66, 84

Windows 685

workbench 47

z/OS 689

SQL server

granting user access 71

revoking user access 71

SSL authentication 25

implementing 57

MQ Java Client 57

Real Time node 58, 87

stack size

increasing on Windows, Linux,  
UNIX 220

increasing on z/OS 220

SupportPac IP13 172

Sybase

granting user access 71

revoking user access 71

system topics 76

## T

TAM, configuring 42

TFIM

security profiles 33

TFIM module chain 42

throughput

optimizing message flows 104

timeouts

deployment 223

Toolkit

connection security

security exits 47

SSL 47

topic-based security 76

enabling 66, 84

topics

making multicast 272

trademarks 695  
trusted applications 175  
tunneling 26  
    implementing 69

## U

Unicode 308  
UNIX  
    National Language Support for  
        syslog 305  
usage data on z/OS 631  
user databases  
    connections 112  
User Name Server  
    broker, connecting on z/OS 209  
    broker, connecting to 208  
    changing 237  
        Linux and UNIX systems 237  
        Windows 238  
        z/OS 238  
    configuring publish/subscribe  
        security 208  
    connecting to the network 208  
    creating 198  
        AIX 199  
        HP-UX 200  
        Linux 200  
        Solaris 201  
        Windows 202  
    creating on z/OS 202  
        component information 203  
        copying the started task 208  
        creating the component 207  
        creating the component  
            dataset 205  
        creating the directory 204  
        creating the PDSE 204  
        creating the runtime  
            environment 205  
        customizing the JCL 206  
        information required 203  
        installation information 180, 203  
    deleting 244  
        Linux and UNIX systems 244  
        Windows 245  
        z/OS 245  
    disabling 243  
    enabling 198  
    sample files, z/OS  
        BIPCRUN 672  
        BIPUNSP 677  
        BIPUPROF 679  
    security 66, 84  
    security domain, changing 56  
    starting and stopping 323  
        UNIX 323  
        Windows 324  
        z/OS 324  
    WebSphere MQ resources 102

## W

WebSphere MQ  
    infrastructure  
        designing 98

WebSphere MQ (*continued*)  
    infrastructure (*continued*)  
        resources for brokers 100  
        resources for the Configuration  
            Manager 101  
        resources for the User Name  
            Server 102  
    naming conventions 97  
    planning for z/OS 164  
    securing resources 91  
    starting  
        channels 210  
        listeners 210  
    trusted applications 175  
    Version 7 publish./subscribe  
        engine 99  
        checking status 224  
        enabling 225  
wildcard topics 76  
Windows service, starting a queue  
    manager 325  
work path  
    changing 330  
    mounting 330  
workbench  
    changing capabilities 302  
    changing preferences 301  
    configuring a broker domain 245  
    security 47  
working sets  
    projects 304

## X

XA coordination  
    configuration  
        32-bit queue manager (DB2) 281  
        32-bit queue manager  
            (Informix) 286  
        32-bit queue manager  
            (Oracle) 291  
        64-bit queue manager (DB2) 283  
        64-bit queue manager  
            (Informix) 288  
        64-bit queue manager  
            (Oracle) 295  
    databases 121  
    Sybase 299  
XPLink 152

## Z

z/OS  
    administration 629  
    broker statistics, collecting 169  
    Configuration Manager  
        connecting directly to 170  
        connecting through intermediate  
            queue manager 171  
    customization 632  
        broker PDSE, contents of 641  
        Configuration Manager PDSE,  
            contents of 643  
        DB2 using data-sharing  
            groups 639  
        disk space requirements 639

z/OS (*continued*)  
    customization (*continued*)  
        naming conventions 632  
        planning checklist 640  
        summary of required access 634  
        tasks and roles 633  
        User Name Server PDSE, contents  
            of 642  
    customization variables, JCL 645  
    customizing the environment 148  
        APF attributes, checking 168  
        Automatic Restart Manager  
            planning 166  
        DB2 planning 161  
        event log messages 153  
        file system 153  
        installation directory, checking  
            permission of 167  
        level of Java, checking 168  
        mounting file systems 167  
        resource recovery service  
            planning 165  
        shared libraries 159  
        temporary directory space 159  
        TMPDIR 159  
        UNIX system services 159  
        z/OS workload manager, defining  
            started tasks to 165  
    execution groups, configuring as  
        non-swappable 169  
    guidance for issuing console  
        commands 630  
    issuing commands to the console 629  
    Message Brokers components,  
        creating 169  
    moving from a distributed  
        environment 239  
    security considerations 153  
        creating Publish/Subscribe user  
            IDs 74  
        enabling the Configuration  
            Manager to obtain user ID  
            information 75  
        setting up DB2 72  
        setting up WebSphere MQ 74  
        setting up workbench access 74  
        setting up z/OS security 71  
    setup verification  
        SupportPac IP13 172  
        WebSphere Message Brokers and  
            WebSphere MQ 172  
    specific information 629  
    START and STOP commands 631  
    usage data on 631  
    WebSphere MQ planning 164







Printed in USA