

# A self-assessment guide to migration from IBM DataInterchange to WebSphere<sup>®</sup> Data Interchange Version 3.2

V1.0 of SupportPac DM01

# Table of Contents:

The purpose of this Self-Assessment Guide	3
Highlights of WebSphere Data Interchange, Version 3.2:	3
The future of WebSphereData Interchange	3
Migrate now	4
WDI Migration Self-Assessment	5
1. Contact details	5
2. Environment	5
3. Business applications architecture	6
4. DI administration interface options	7
5. Communications/Network Topology	8
6. Trading community	9
7. Translation	9
8. EDI administration	10
9. Intra-systems/Application transports	10
10. Business application integration	10
Assessment – analysis and walkthrough	12
Notes for Assessment – analysis and walkthrough	13
Next steps in migration planning	14

Copyright International Business Machines Corporation 2003. All rights reserved. US Government Users  
Restricted Rights - Use, duplication or disclosure restricted by GSA ADP Schedule Contract with IBM Corp.

## The purpose of this Self-Assessment Guide

This Self-Assessment Guide will assist you in evaluating your current Electronic Data Interchange (EDI) and application environment, and your future data transformation requirements. In addition, it will help in planning your migration to WebSphere Data Interchange V3.2, IBM's strategic EDI solution.

The answers and information you provide will assist you with gathering and organizing the information you need to define, plan and scope the migration process. Using this information, IBM will work with you to understand both your current and planned business environments and help you exploit the functions and features of the new version of the translator to provide you with the greatest value.

## Highlights of WebSphere Data Interchange, Version 3.2:

- provides industry leading EDI translation capabilities either standalone or as a valuable component in an integration scenario.
- integrates EDI into business processes, messaging, and Internet-based B2B capabilities provided by the WebSphere family, for a seamless, integrated EDI solution.
- integrates into your enterprise IT infrastructure to flow EDI data to where it's needed
- enables EDI to co-exist with XML and other Internet technologies allowing you to leverage existing investments.
- helps to adapt to new standards, integrate with other applications and adopt new technology quickly and effectively.
- "delivers translation/transformation performance and transaction throughput unmatched by any competitive products on the market today," in the experience of Randy Smith, Director, of eSI2 Inc
- offers a cost effective, flexible and scalable solution, no matter what stage of business integration you are at.

## The future of WebSphereData Interchange

There is a general trend across many industries to include EDI capability as a valuable, integrated component of a business integration scenario. WebSphere Data Interchange for Multiplatforms, V3.2 and WebSphere Data Interchange for z/OS, version 3.2 (formerly IBM DataInterchange) are now offered as part of the WebSphere platform, providing tighter integration with WebSphere MQ Integrator and WebSphere Business Integration.

On October 8th 2002 IBM announced availability of WebSphere Data Interchange for z/OS Version 3.2 and WebSphere Data Interchange for Multiplatforms Version 3.2

[www.ibm.com/software/integration/appconn/wdi/32announce.html](http://www.ibm.com/software/integration/appconn/wdi/32announce.html)

These components of the WebSphere platform introduce IBM's most advanced EDI transformation technology yet. Not only do they demonstrate IBM's ongoing commitment to electronic data interchange (EDI), they recognize the significance and value of EDI transformation as a crucial component of a business integration scenario.

It is IBM's intent, in subsequent product releases, to further integrate WebSphere Data Interchange with WebSphere MQ Integrator and other WebSphere products, protecting your investment in WebSphere Data Interchange today, and the WebSphere family now and in the future [Statement of Direction: April 2, 2002].

## Migrate now

As an existing user of IBM DataInterchange, you can now choose product implementations that are functionally consistent across all platforms – while protecting your previous investments in EDI transformation mappings.

WebSphere Data Interchange (WDI) contains many new and advanced transformation features including:

- Optimized “any-to-any” transformation of EDI, XML, and record-oriented application formats
- Advanced data validation functions which provided industry leading support for HIPAA, ANSI X12 embedded HL7, and other industry formats
- Direct import of XML DTD’s for mapping and translation
- Mapping tools to build EDI, XML, and application format transformations via a GUI interface via the WDI Client
- WebSphere MQ message queuing support which enables WebSphere Data Interchange to be driven by WebSphere MQ messages
- Integration with WebSphere MQ Integrator, allowing it to cooperate in transforming EDI messages in a business integration architecture

WDI’s rich and powerful features make it an essential part of an enterprise integration strategy. If you use earlier versions of IBM DataInterchange (DI), WDI Version 3.2 represents an important step forward in EDI capabilities at a time when some early versions of the DI product are approaching the end of their product life cycles.

WDI 3.2 can co-exist with DI 3.x, and you can perform a partial migration now and complete the rest of the migration later. You can either get started with one of IBM’s migration plans or perform the migration yourself, and continue or complete the migration process at a future time.

# WDI Migration Self-Assessment

## 1. Contact details

These details will enable your IBM representative to locate you if you need help with your self-assessment or migration.

**Your name:** \_\_\_\_\_

**e-mail address:** \_\_\_\_\_

**Telephone:** \_\_\_\_\_

**Company name:** \_\_\_\_\_

**Company address:** \_\_\_\_\_

\_\_\_\_\_

\_\_\_\_\_

## 2. Environment

Indicate all current and planned operating systems platforms, business applications and databases used within your corporate architecture

### **Operating systems / platforms used** (please check all that apply)

- Current:  zSeries  pSeries  iSeries  xSeries  
 Unix  NT/Windows2000  Other: \_\_\_\_\_
- Planned (within 6 months):  
 zSeries  pSeries  iSeries  xSeries  
 Unix  NT/Windows2000  Other: \_\_\_\_\_

### **Business applications used** (please check all that apply)

- Current:  SAP  JDEdwards  PeopleSoft  Arthur Anderson  
 BAAN  Comp Associates  Daly.com  Lawson  
 Marcam  Oracle  In-House developed  Other
- Planned (within 6 months):  
 SAP  JDEdwards  PeopleSoft  Arthur Anderson  
 BAAN  Comp Associates  Daly.com  Lawson  
 Marcam  Oracle  In-House developed  Other

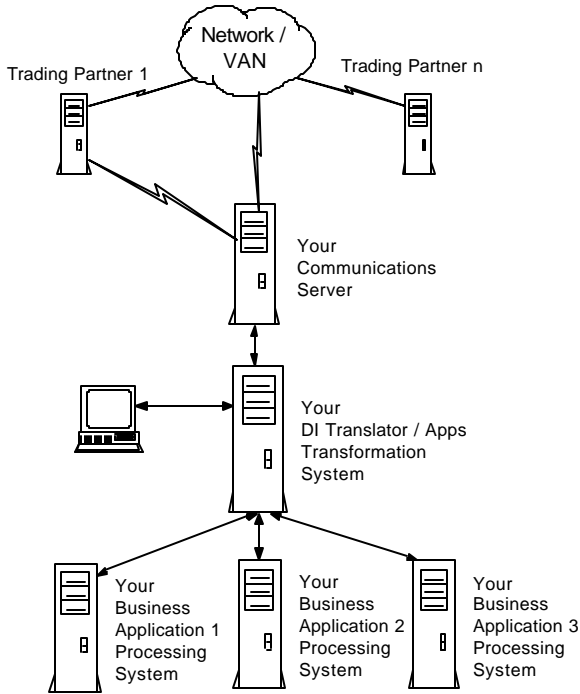
### **Databases used** (please check all that apply)

- Current:  VSAM  DB2  Other
- Planned (within 6 months):  VSAM  DB2  Other

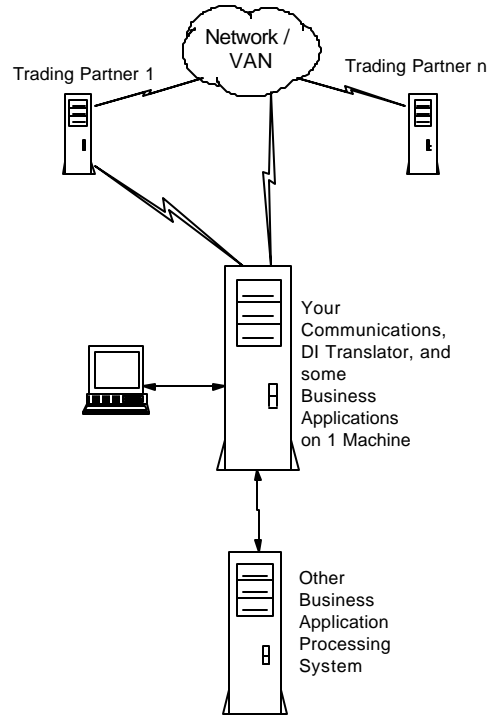
### 3. Business applications architecture

Select the diagram(s), which best depicts your current translator and application architecture

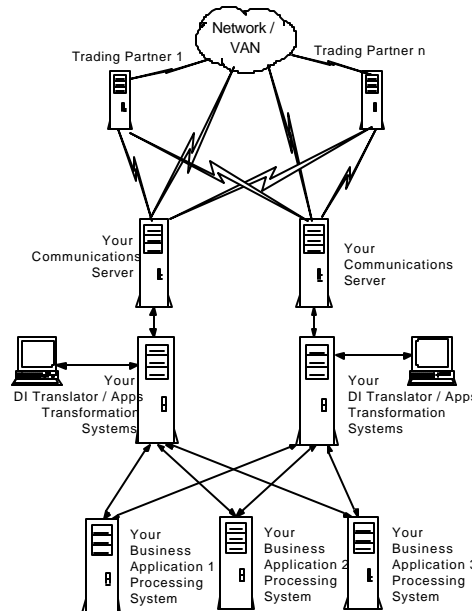
\_\_\_ **Architecture - A**



\_\_\_ **Architecture - B**



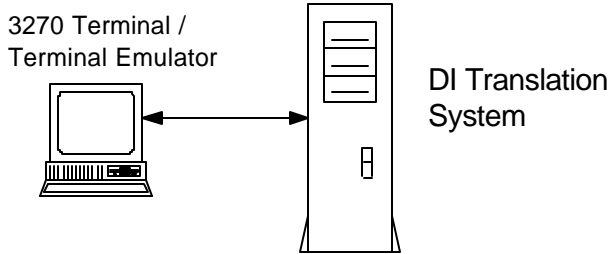
\_\_\_ **Architecture - C**



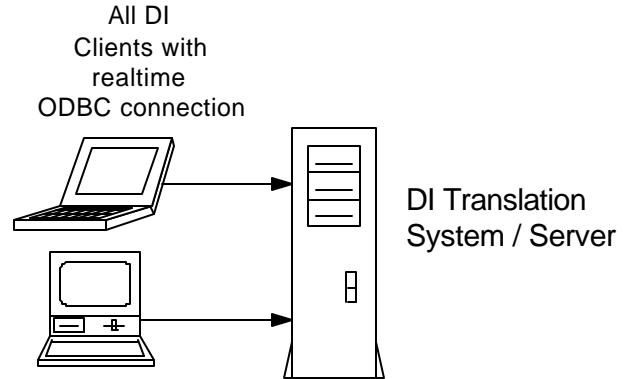
## 4. DI administration interface options

Select the diagram(s), which best depicts your current translator administration interface configuration  
 (Note: DI Client has been renamed WebSphere Data Interchange Client in Version 3.2)

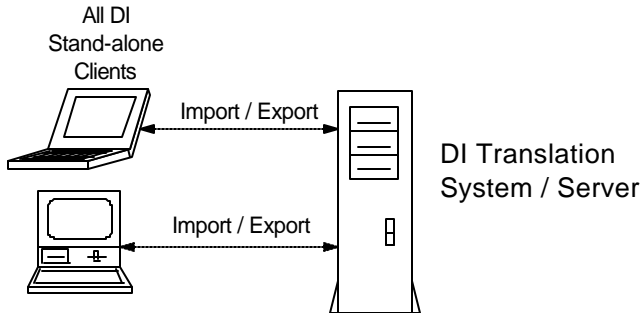
\_\_\_ **DI Admin Interface – A**



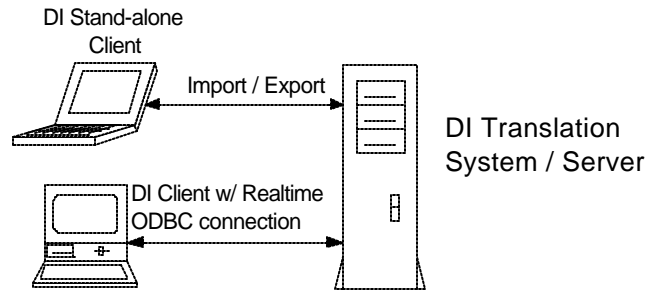
\_\_\_ **DI Admin Interface - B**



\_\_\_ **DI Admin Interface – C**



\_\_\_ **DI Admin Interface – D**



## 5. Communications/Network Topology

### Network Topology/Communication Types

						# of Trading Partners
• <b>Current:</b>	__VAN(s)	<u>None</u>	<u>1-3</u>	<u>4-6</u>	<u>+6</u>	<u>Partners</u>
	Leased Lines	—	—	—	—	—
	Dialups	—	—	—	—	—
	Internet	—	—	—	—	—
	__Direct Connects:					
	Leased Lines	—	—	—	—	—
	Dialups	—	—	—	—	—
	Internet	—	—	—	—	—
	__FTP/SMTP:					
	Leased Lines	—	—	—	—	—
	Dialups	—	—	—	—	—
	Internet	—	—	—	—	—
	__AS2:					
	Leased Lines	—	—	—	—	—
	Dialups	—	—	—	—	—
	Internet	—	—	—	—	—
	__Media	—	—	—	—	—
• <b>Planned (within next 6 months):</b>	__VAN(s)	<u>None</u>	<u>1-3</u>	<u>4-6</u>	<u>+6</u>	<u>Partners</u>
	Leased Lines	—	—	—	—	—
	Dialups	—	—	—	—	—
	Internet	—	—	—	—	—
	__Direct Connects:					
	Leased Lines	—	—	—	—	—
	Dialups	—	—	—	—	—
	Internet	—	—	—	—	—
	__FTP/SMTP:					
	Leased Lines	—	—	—	—	—
	Dialups	—	—	—	—	—
	Internet	—	—	—	—	—
	__AS2:					
	Leased Lines	—	—	—	—	—
	Dialups	—	—	—	—	—
	Internet	—	—	—	—	—
	__Media	—	—	—	—	—



## 6. Trading community

### Trading partners (Customers/Suppliers)

	<u>1-20</u>	<u>21-40</u>	<u>41-60</u>	<u>+60</u>
• Current: Trading Partners	—	—	—	—
• Planned (within next 6 months): Trading Partners	—	—	—	—

### Transactions

	<u>1-10</u>	<u>11-20</u>	<u>21-30</u>	<u>+30</u>
• Current: Active Transactions/Maps	—	—	—	—
• Planned (within next 6 months): Active Transactions/Maps	—	—	—	—

## 7. Translation

### Translator operating systems/platforms (please check all that apply)

- Current:
 

<input type="checkbox"/> zSeries	<input type="checkbox"/> OS/390	<input type="checkbox"/> pSeries (AIX)
<input type="checkbox"/> iSeries (AS400)	<input type="checkbox"/> xSeries (PC)	<input type="checkbox"/> NT/Windows2000
- Planned (within next 6 months):
 

<input type="checkbox"/> zSeries	<input type="checkbox"/> OS/390	<input type="checkbox"/> pSeries (AIX)
<input type="checkbox"/> iSeries (AS400)	<input type="checkbox"/> xSeries (PC)	<input type="checkbox"/> NT/Windows2000

### Other translation software

List any other translation software or in-house translation currently utilized

---

### Translator release/versions/processing (i.e., Development, Test, Production) -

- Number of Translators
 

	<u>1-2</u>	<u>3-4</u>	<u>+4</u>
Current:	—	—	—
Planned (within next 6 months):	—	—	—
- What Version/Release(s) of DI (DataInterchange) do you currently utilize and which data repository is used for each version/release? (**please check all that apply**):
 

<input type="checkbox"/> V1.5 or earlier	<input type="checkbox"/> DB2	<input type="checkbox"/> VSAM
<input type="checkbox"/> V2.1	<input type="checkbox"/> DB2	<input type="checkbox"/> VSAM
<input type="checkbox"/> V3.1	<input type="checkbox"/> DB2	<input type="checkbox"/> VSAM
<input type="checkbox"/> V4.1	<input type="checkbox"/> DB2	<input type="checkbox"/> VSAM
- With Client Interface Component being a prerequisite for WebSphere Data Interchange 3.2, Administration and Mapping....
  - Do you currently utilize the DI Client Component?  Yes  No
    - If Yes, which mode:  Stand-Alone or  Client/Server
  - Do you currently utilize Transaction Store?  Yes  No
  - Do you have LAN access to DB2 for ODBC connections?  Yes  No
  - Do you currently have LAN Administration resources?  Yes  No

## 8. EDI administration

- |   | <u>None</u>     | <u>1-2</u>         | <u>3-4</u> | <u>+4</u> |
|---|-----------------|--------------------|------------|-----------|
| • Number of EDI administrators                            | —               | —                  | —          | —         |
| • Resources for DB2 administration                        | —               | —                  | —          | —         |
| • Are administrators centrally or geographically located? | ___ Centralized | ___ Geographically |            |           |

## 9. Intra-systems/Application transports

### Transport Software/Method(s) (please check all that apply)

- |  |                       |               |                |              |
|--|-----------------------|---------------|----------------|--------------|
| • <b>Current:</b>                        | ___ WebSphere MQ      | ___ SeeBeyond | ___ WebMethods | ___ WebLogic |
|  | ___ DirectConnect/NDM | ___ FTP       | ___ Other      |              |
| • <b>Planned</b> (within next 6 months): | ___ WebSphere MQ      | ___ SeeBeyond | ___ WebMethods | ___ WebLogic |
|  | ___ DirectConnect/NDM | ___ FTP       | ___ Other      |              |

## 10. Business application integration

### EDI integrated business applications – operating systems/platforms

Check all that apply and enter the number of Realtime or Eventdriven applications for each platform

- |  | <u>None</u> | <u>1-3</u> | <u>4-6</u> | <u>+6</u> | <u># Realtime / EventDriven</u> |
|--|-------------|------------|------------|-----------|---------------------------------|
| • <b>Current:</b>                        |             |            |            |           |                                 |
| zSeries                                  | —           | —          | —          | —         | —                               |
| pSeries                                  | —           | —          | —          | —         | —                               |
| iSeries                                  | —           | —          | —          | —         | —                               |
| xSeries                                  | —           | —          | —          | —         | —                               |
| Unix                                     | —           | —          | —          | —         | —                               |
| NT/Windows2000                           | —           | —          | —          | —         | —                               |
| Other _____                              | —           | —          | —          | —         | —                               |
| • <b>Planned</b> (within next 6 months): |             |            |            |           |                                 |
| zSeries                                  | —           | —          | —          | —         | —                               |
| pSeries                                  | —           | —          | —          | —         | —                               |
| iSeries                                  | —           | —          | —          | —         | —                               |
| xSeries                                  | —           | —          | —          | —         | —                               |
| Unix                                     | —           | —          | —          | —         | —                               |
| NT/Windows2000                           | —           | —          | —          | —         | —                               |
| Other _____                              | —           | —          | —          | —         | —                               |

**EDI integrated business application – transaction volumes per month**

1. Fill in the name of each EDI integrated business application
2. Check the volume of application transactions (i.e. number of invoices, purchase orders, etc.) per month
3. Check the volume of application detail records (i.e. number of lines (or records) per invoice, purchase order etc.) per month.

• <b>Current:</b>	<u>Application transactions</u>			<u>Application detail records</u>			
	<u>Integrated application</u>	<u>1-50k</u>	<u>51-200k</u>	<u>+200k</u>	<u>1-1M</u>	<u>1M-10M</u>	<u>+10M</u>
	#1 _____	—	—	—	—	—	—
	#2 _____	—	—	—	—	—	—
	#3 _____	—	—	—	—	—	—
	#4 _____	—	—	—	—	—	—
	#5 _____	—	—	—	—	—	—
	#6 _____	—	—	—	—	—	—
	#7 _____	—	—	—	—	—	—
	#8 _____	—	—	—	—	—	—
	#9 _____	—	—	—	—	—	—
	#10 _____	—	—	—	—	—	—
	Other(s): _____	—	—	—	—	—	—

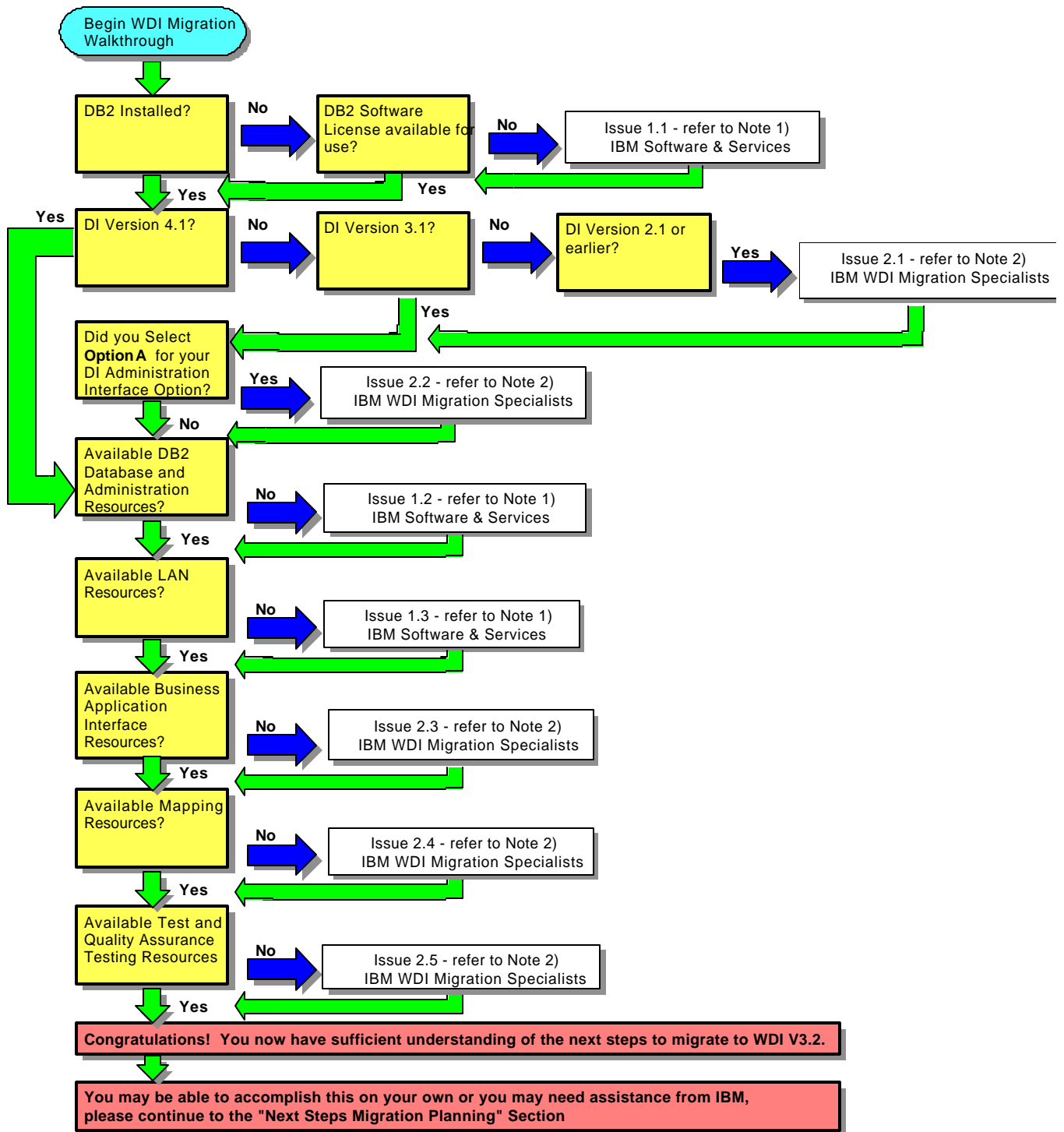
• <b>Planned (within next 6 months)</b>	<u>Application transactions</u>			<u>Application detail records</u>			
	<u>Integrated application</u>	<u>1-50k</u>	<u>51-200k</u>	<u>+200k</u>	<u>1-1M</u>	<u>1M-10M</u>	<u>+10M</u>
	#1 _____	—	—	—	—	—	—
	#2 _____	—	—	—	—	—	—
	#3 _____	—	—	—	—	—	—
	#4 _____	—	—	—	—	—	—
	#5 _____	—	—	—	—	—	—
	#6 _____	—	—	—	—	—	—
	#7 _____	—	—	—	—	—	—
	#8 _____	—	—	—	—	—	—
	#9 _____	—	—	—	—	—	—
	#10 _____	—	—	—	—	—	—
	Other(s): _____	—	—	—	—	—	—

**Business application formats** (please check all that apply)

• <b>Current:</b>		<u>None</u>	<u>1-3</u>	<u>4-6</u>	<u>+6</u>
	EDI – X12	—	—	—	—
	EDI – EDIFACT	—	—	—	—
	XML	—	—	—	—
	SAP IDOC	—	—	—	—
	Swift	—	—	—	—
	NACHA	—	—	—	—
	Record Oriented	—	—	—	—
	Comma Delimited	—	—	—	—
	Other _____	—	—	—	—
• <b>Planned (with next 6 months):</b>		<u>None</u>	<u>1-3</u>	<u>4-6</u>	<u>+6</u>
	EDI – X12	—	—	—	—
	EDI – EDIFACT	—	—	—	—
	XML	—	—	—	—
	SAP IDOC	—	—	—	—
	Swift	—	—	—	—
	NACHA	—	—	—	—
	Record Oriented	—	—	—	—
	Comma Delimited	—	—	—	—
	Other _____	—	—	—	—

# Assessment – analysis and walkthrough

(See notes on next page)



# Notes for Assessment – analysis and walkthrough

## Note 1: IBM Software & Services

IBM has software and services available to help you address this need in support of migration to WDI.

Please check the box against the issue in the table below that caused you to refer to this note, and then return and continue with the analysis walkthrough.

Issue	Description	Check Box
1.1	My organization will need help to understand the DB2 Software prerequisites for WDI	
1.2	My organization will need help and training with DB2 administration and operations	
1.3	My organization will need help in understanding network requirements in relation to WDI migration	

## Note 2: IBM Migration Specialists

IBM has experienced WebSphere Data Interchange migration specialists who can help you address this aspect of migration.

Please check the box against the Issue in the table below that caused you to refer to this note, and then return and continue with the analysis walkthrough.

Issue	Description	Check Box
2.1	My organization currently uses a version of DataInterchange prior to Version 2.1	
2.2	My organization administers DataInterchange using a directly connected 3270 terminal	
2.3	My organization will need help in integrating our business application with WDI	
2.4	My organization will need help in mapping to our business applications	
2.5	My organization will need help in commission our new WDI production installation	

## Next steps in migration planning

Thank you for completing these questions. Please send this form to [askWDI@us.ibm.com](mailto:askWDI@us.ibm.com)

The information you provide in this self-assessment guide can be used by IBM WebSphere Data Interchange consultants to assist with your migration to WebSphere Data Interchange v3.2.

IBM, the IBM logo, AIX, DB2, iSeries, MQSeries, OS/390, pSeries, S/390, WebSphere, xSeries, z/OS and zSeries are trademarks or registered trademarks of International Business Machines Corporation in the United States, other countries or both.

UNIX is a registered trademark of The Open Group in the United States and other countries.

Microsoft, Windows and Windows NT are trade-marks of Microsoft Corporation in the United States, other countries or both.

Other company, product and service names may be trademarks or servicemarks of others.