

Delivering fast, high-quality thermal POS printing  
for retailers with strict fiscal requirements



## IBM SureMark Printers

*Fiscal models*



*Models GB3 (left) and KR3 (right)*

---

### Highlights

---

- **Features electronic and paper-based journaling capabilities for various reporting requirements**
- **Leverages flash memory to accelerate transactions and enhance printing capabilities**
- **Eases printer upkeep and upgradeability with a modular, flexible design**
- **Provides a wide range of models designed to meet numerous country-specific fiscal requirements**

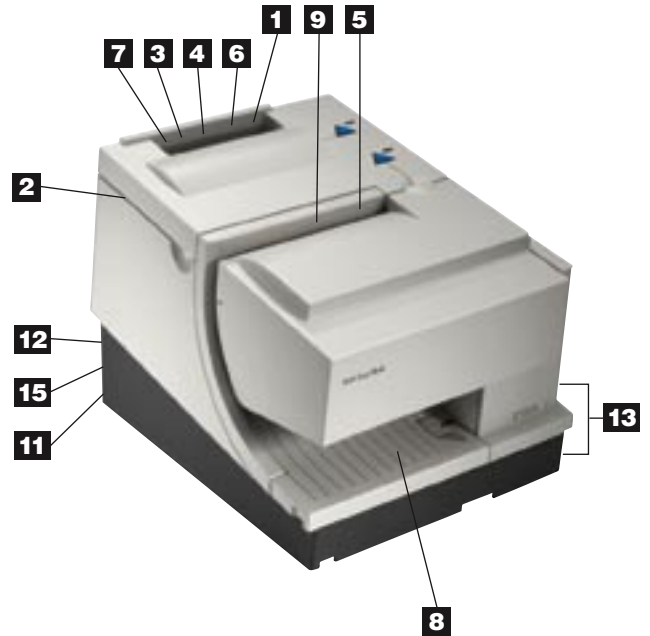
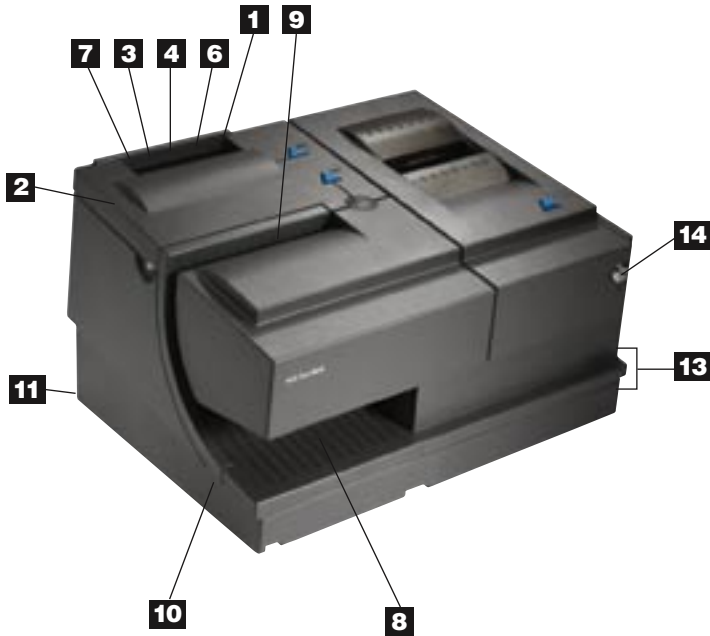
### Offering excellent printing capabilities for flawless fiscal printing

Fiscal models of the IBM SureMark™ Printer portfolio provide fast, quiet, high-quality thermal printing at the point of sale (POS)—plus precise revenue reporting that meets strict fiscal requirements. All models include a thermal station that prints customer receipts at speeds of up to 25 lines per second (lps).

SureMark Printers offer a security-rich fiscal module—with fiscal logic and memory plus physical security features—and are government-approved for sale in their respective countries. Some models also include an impact station for printing multipart forms, invoices and checks, or a thermal station for conventional paper journaling—or both. With this powerful combination of advanced fiscal technology and reliable operation, SureMark Printers can help retailers in any segment reduce customer wait time and maximize uptime.

### Meeting unique journaling preferences with versatile options

IBM SureMark Printers include two families of fiscal models. K-series models feature electronic journaling, based on CompactFlash technology, which enables you to store months of transactions on a single, removable module to help eliminate the cost of purchasing and storing paper journal rolls.<sup>1</sup> G-series models feature a thermal journal print station, allowing you to retain traditional processes for paper-based journaling if preferred.



Models GB3 (left) and KR3 (right)

## Thermal receipt station

- 1** Provides fast, quiet printing
- 2** Reduces downtime at the POS with a simple paper-loading process
- 3** Prints barcodes and logos on the receipt for more targeted marketing
- 4** Includes receipt out-of-paper sensor
- 5** Supports large store logos and marketing messaging by printing double-wide, double-high characters
- 6** Enables printing of long, detailed reports by scaling to 80mm paper width
- 7** Provides built-in receipt cutter

## Impact station

- 8** Prints single or multipart forms up to A5 format
- 9** Prints in portrait or landscape orientation
- 10** Speeds processing and reduces transaction time via single-pass check handling, check flipping and magnetic ink character recognition (MICR) (KC4, KS4 and GR4 models)

## Physical design

- 11** Helps ensure compliance with fiscal regulations with a secure fiscal module
- 12** Helps eliminate the time and expense of printing, storing and managing paper journals via the CompactFlash-enabled electronic journaling capabilities (K-series models)
- 13** Provides optional color matching of top and bottom covers to IBM hardware
- 14** Helps ensure government journaling requirements are met via a keylock that secures the journal roll
- 15** Includes a keylock that helps secure CompactFlash module to help protect stored data (all models except the KC4 and KC5)

## IBM SureMark Printers: fiscal models at a glance

Models	KR3, KR5, KD3, KD5, KR4	KC4, KC5, KS4, KS5	FV5, GR3, GB3, GB5, GR4, GR5, GE3
<i>Hardware</i>			
<i>Maximum printing speed<sup>2</sup></i>			
Thermal receipt station	Up to 25 lps at 8 lines per inch (lpi)	Up to 25 lps at 8 lpi	Up to 25 lps at 8 lpi
Impact slip station	Up to 3 lps (KR3, KD3, KR4)	Up to 3 lps (KC4, KS4)	Up to 3 lps (GR3, GB3, GE3)
Thermal journal station	—	—	Up to 25 lps at 8 lpi
Printing resolution (thermal)	203 dots per inch (dpi)		
Electronic journal media	Yes (32 to 128MB) CompactFlash (removable)	Yes (64MB) CompactFlash (non-removable)	No
<i>Interfaces</i>			
Standard universal serial bus (USB) <sup>3</sup>	No	No	GB3, GB5, GE3 (internal power supply)
RS-485	KR3, KR5	KS4, KS5	GR3, GR5
Standard RS-232 <sup>4</sup>	KD3, KD5, KR4	KC4, KC5	FV5
Mounting options	Integrated with POS or distributed		
<i>Ports</i>			
Display port connection and sense	Yes (KD3, KD5 Hungary)	No	Yes
RS-232 audit port <sup>5</sup>	No	No	Yes (GE3, GR3 Argentina, GR5 Greece)
Cash drawer (+24V)	Yes (KD3, KD5)	Yes	Yes (GB3, GB5, GE3)
<i>Physical dimensions and weight</i>			
In mm (WxDxH)	190.54 <sup>6</sup> x255x144 <sup>7</sup>		322x255x144 <sup>7</sup>
In inches (WxDxH)	7.5 <sup>6</sup> x10x5.5 <sup>7</sup>		12.7x10x5.5 <sup>7</sup>
Weight	9.6 lbs/4.4 kg	10.5 lbs/4.8 kg	15.15 lbs/6.89 kg
<i>Software<sup>8</sup></i>			
Operating systems supported <sup>9</sup>	<ul style="list-style-type: none"> <li>• IBM 4690 Operating System</li> <li>• Microsoft® Windows® 2000 (Professional Edition)</li> <li>• Microsoft Windows 98 (Second Edition)</li> <li>• Microsoft Windows XP (Professional Edition)</li> <li>• IBM Retail Environment for SUSE LINUX</li> <li>• DOS</li> </ul>		
Drivers supported <sup>9</sup>	<ul style="list-style-type: none"> <li>• JavaPOS™ for Microsoft Windows (version 1.2 or later)</li> <li>• JavaPOS for Linux (version 1.5.1 or later)</li> <li>• POSS for Microsoft Windows (version 1.2 or later)</li> <li>• POSS for Linux (version 1.5.1 or later)</li> <li>• POSS for DOS (version 2.1.0 or later)</li> </ul>		
<i>Industry standards</i>			
Resident barcode formats	UPC A/E; JAN 8 (EAN); JAN 13 (EAN); Code 39; ITF; Code 93; Code 128 a, b and c; Codabar; PDF417		
<i>Supply options</i>			
	IBM now offers branded paper supplies. For more information, contact your IBM sales representative, or visit: <a href="http://printers.ibm.com/internet/wwwsites.nsf/vwwwpublished/paper_pos_ww">printers.ibm.com/internet/wwwsites.nsf/vwwwpublished/paper_pos_ww</a> .		

## SureMark Printers: fiscal models overview

<i>Model</i>	<i>Nation</i>	<i>MICR</i>	<i>Print station</i>	<i>Attachment</i>	<i>Cover color</i>
GR3	Argentina, Greece, Italy, Turkey	No	Thermal receipt, impact document insert, thermal journal	RS-485	Pearl white top, litho gray base
GR4	Venezuela	Yes	Thermal receipt, impact document insert, thermal journal	RS-485	Pearl white top, litho gray base
GR5	Greece, Italy, Turkey	No	Thermal receipt, thermal journal	RS-485	Pearl white top, litho gray base
GB3	Greece, Turkey	No	Thermal receipt, impact document insert, thermal journal	USB	Iron gray
GB5	Greece, Turkey	No	Thermal receipt, thermal journal	USB	Iron gray
GE3	Argentina	No	Thermal receipt, impact document insert, thermal journal	USB	Iron gray
KR3	Hungary, Italy	No	Thermal receipt, impact document insert	RS-485	Pearl white top, litho gray base
KR5	Hungary, Italy	No	Thermal receipt	RS-485	Pearl white top, litho gray base
KC4	Chile	Yes	Thermal receipt, impact document insert	RS-232	Pearl white top, litho gray base
KC5	Chile	No	Thermal receipt, impact document insert	RS-232	Pearl white top, litho gray base
KD3	Hungary, Italy	No	Thermal receipt, impact document insert	RS-232	Iron gray
KD5	Hungary, Italy	No	Thermal receipt	RS-232	Iron gray
FV5	Poland	No	Thermal receipt, impact document insert, thermal journal	RS-232	Pearl white top, litho gray base
KS4	Chile	Yes	Thermal receipt, impact document insert	RS-485	Pearl white top, litho gray base
KS5	Chile	No	Thermal receipt, impact document insert	RS-485	Pearl white top, litho gray base
KR4	Brazil	Yes	Thermal receipt, impact document insert	RS-232	Pearl white top, litho gray base

### **Supplying extraordinary print performance at the POS**

SureMark Printers apply the latest innovations in thermal printing to help ensure crisp, clean output on every receipt. By storing images in flash memory, SureMark Printers can provide a powerful marketing tool, letting you print logos, barcodes, graphics and text messages on receipts without impacting transaction time (local laws may restrict graphics printing on receipts). You can add your logo to receipts to build your store's brand, use barcodes to expedite returns, and print coupons and special offers that reward loyal customers.

### **Simplifying printer maintenance and migration**

The K-series models feature a smaller footprint than typical impact fiscal printers so they consume nominal counter space. G-series models are the same size as previous IBM fiscal printers and can be integrated easily at the POS. Across all models, paper handling is easy, letting operators change paper rolls rapidly without making customers wait. Because fiscal models have a convenient, snap-together design and an acces-

sible print mechanism, you can also perform maintenance tasks quickly and easily.

All of the SureMark Printer fiscal RS-485 models offer emulation of the receipt and document insert stations for IBM Model 3 printer fiscal models.<sup>10</sup> This means you can replace your existing printers with SureMark Printers to upgrade print speed, quality and overall ease of use—without incurring the time and cost required to reconfigure your existing POS software.

### **Providing global appeal in a single printer platform**

The line of SureMark Printers provides a comprehensive spectrum of models to meet numerous country-specific fiscal requirements. This means you can adopt a single printer platform for your locations worldwide, thereby improving service and support efficiency. All models also feature similar application interfaces to simplify software and driver upgrades.

### **For more information**

To learn more about IBM SureMark Printers and other POS solutions from IBM, please contact your local IBM representative, call IBM Direct at 1 800 IBM-CALL (1 800 426-2255), or visit:

**[ibm.com/industries/retail/store](http://ibm.com/industries/retail/store)**

1. Amount of data stored depends on local requirements, memory module size and usage.
2. Indicates maximum rated speed, which may not be achievable in all countries. Actual print speed depends on user-specific configuration of interface, application, operating system, drivers and fiscal law.
3. A power brick is required for standard USB interfaces.
4. A power brick is required for standard RS-232 interfaces.
5. The RS-232 audit port is only supported for select models in Argentina and Greece.
6. With overhanging ledge, width is 200.5mm (7.9 inches).
7. Rear height is 190mm/7.5 inches.
8. Some printer functions may not be supported by all combinations of operating systems and drivers.
9. To obtain the latest compatibility data for operating systems, interfaces and IBM hardware, please visit the IBM support Web site: [ibm.com/industries/retail/store/support](http://ibm.com/industries/retail/store/support).
10. Not all printer functions are emulated. For a full listing of printer emulation functions, please visit the IBM support Web site: [ibm.com/industries/retail/store/support](http://ibm.com/industries/retail/store/support).



© Copyright IBM Corporation 2004

IBM Retail Store Solutions  
P.O. Box 12195, 3039 Cornwallis Road  
Research Triangle Park, NC 27709  
U.S.A.

Printed in the United States of America  
05-04  
All Rights Reserved

The e-business logo, the e(logo) business on demand lock-up, IBM, the IBM logo and SureMark are trademarks of International Business Machines Corporation in the United States, other countries, or both.

Microsoft and Windows are trademarks of Microsoft Corporation in the United States, other countries, or both.

Java and all Java-based trademarks are trademarks of Sun Microsystems, Inc. in the United States, other countries, or both.

Other company, product and service names may be trademarks or service marks of others.

IBM provides this publication "as is," without warranty of any kind, express or implied including the implied warranties of merchantability or fitness for a particular purpose. Some jurisdictions do not allow disclaimer of express or implied warranties in certain transactions; therefore, this disclaimer may not apply to you.

IBM reserves the right to change specifications or other product information without notice. This publication could include technical inaccuracies or typographical errors.

References to IBM products and services do not imply that IBM intends to make them available in other countries.

The IBM home page can be found at [ibm.com](http://ibm.com).