

IBM Cart Mount Installation Instructions

Version: June 9, 2005

IBM P/N 65P6387

The IBM Cart Mount is an accessory of the IBM 7054 Tablet.

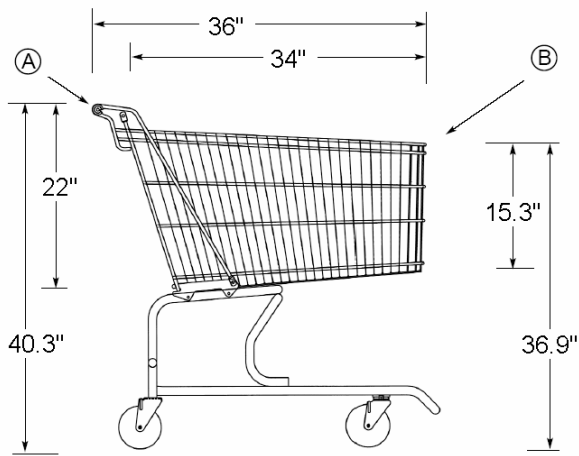
Introduction

This document describes the steps to attach the IBM cart mount to a shopping cart. The cart mount kit should contain the following parts: A plastic cart mount bucket, a coated metal bracket, and 4 Phillips flat head screws. A torque limiting #2 Phillips driver and a tablet are needed to install the cart mount.

Installation

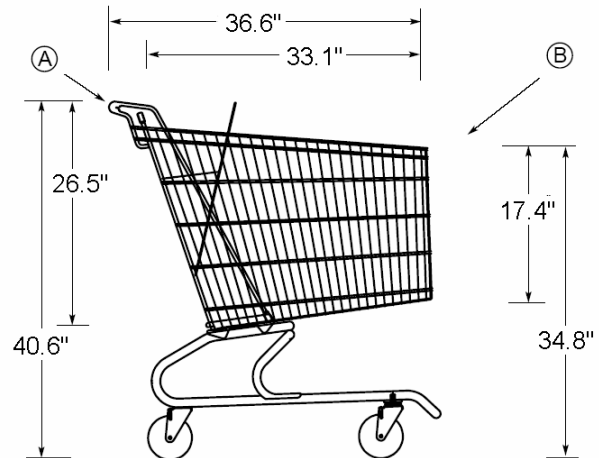
1. Check the markings on the shopping cart to be sure the cart is either a Unarco Model 100 or Unarco Model 109 cart. The Unarco name is marked on the plastic child seat flap. To determine the cart model number, compare the cart size to the pictures below. If the cart does not match either picture below, do not install the IBM cart mount.

Unarco Model 100 Shopping Cart



A - Width at handle: 24.4" B - Width at basket nose: 18.3"

Unarco Model 109 Shopping Cart



A - Width at handle: 23.1" B - Width at basket nose: 16.3"

2. Check the model number marked on the cart mount bracket to make sure it matches the cart model. A bracket marked with M100 is for a Unarco Model 100 cart. A bracket marked with M109 is for a Unarco Model 109 cart.

IBM Cart Mount Installation Instructions

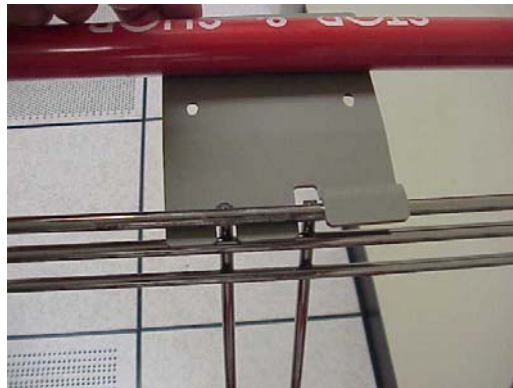
Version: June 9, 2005

IBM P/N 65P6387

3. Check the shopping cart for damage or loose hardware. The cart handle and rear gate hinge should be rigidly attached to the cart chassis. If the cart has excessive damage, the cart mount should not be attached to the cart.



4. Position the cart mount bracket as shown.



5. Position the cart mount bucket as shown.



IBM Cart Mount Installation Instructions

Version: June 9, 2005

IBM P/N 65P6387

6. Install the 4 screws but do not fully tighten them. Tighten all 4 screws to a torque of 35 inch-lb (2.9 foot-lb or 3.9 Newton-meters or 40.3 kg-cm) +/- 10%. Tighten all 4 screws a second time to the same torque. The installed cart mount should look like the pictures below.



7. Check the cart mount to make sure it is firmly attached to the cart by pushing, pulling and twisting the cart mount bucket. If it is not firmly attached to the cart, go back to step 6 to re-tighten the 4 screws. If the screws have been tightened properly, and the mount is not firmly attached to the cart then the cart mount should be removed to avoid putting it into use.

8. Insert a tablet into the cart mount to check that the tablet fits and is held in place, then remove the tablet. Once the cart mount passes this check of the tablet fit, the cart mount is ready for use.