

# AM-516 Adaptor Ring

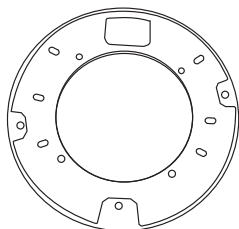
*User's Manual*

Complies with FD8162 fixed dome camera

Rev. 1.0

## I Overview

### AM-516 Adaptor Ring



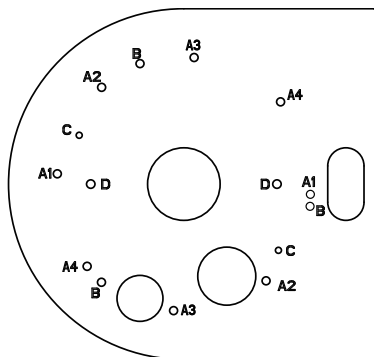
Adaptor ring for FD8162 fixed dome camera. The supported installation types are:

1. to a 90° wall-mount bracket (AM-211).
2. to a 4" or 4<sup>11/16</sup>" US standard, metal junction box.

You may also refer to VIVOTEK's website for the list of supported models.

## II Installation with a Wall-mount Bracket (AM-211)

### Mounting Hole Definitions





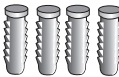


Above are the locations of different groups of mounting holes for matching different cameras: Use the A group holes for FD8162.

Hole Type	Applicable Cameras	Screw	No. of screw
<b>A</b>	FD8161 / FD7132 / FD7131	M4X15	2
	<b>FD8162</b>		4
<b>B</b>	FD8133V / FD8134V	M4X8XD6	3
<b>C</b>	FD8133 / FD8134	M3X6	2
<b>D</b>	PZ7111 / PZ7112 / PZ7121 / PZ7122 / PZ7131 / PZ7132 / PZ7151 / PZ7152 / PZ81x1W / PZ81x1	M3X6	2

For cabling and configuration details with each network camera, please refer to their documentation.

Refer to the table below for the description of the included screws:

Screw Description	Quantity	Applies to	
M4X15 Phillips pan head	4	A holes	
M3X6 Phillips pan head	2	D holes for PZ and PT series	
M4X8XD6 Phillips pan head	3	B holes	
M4X25XD9 Phillips pan head	4	Securing the bracket to wall	
Plastic anchors	4	Securing the bracket to wall	

**NOT USED!**



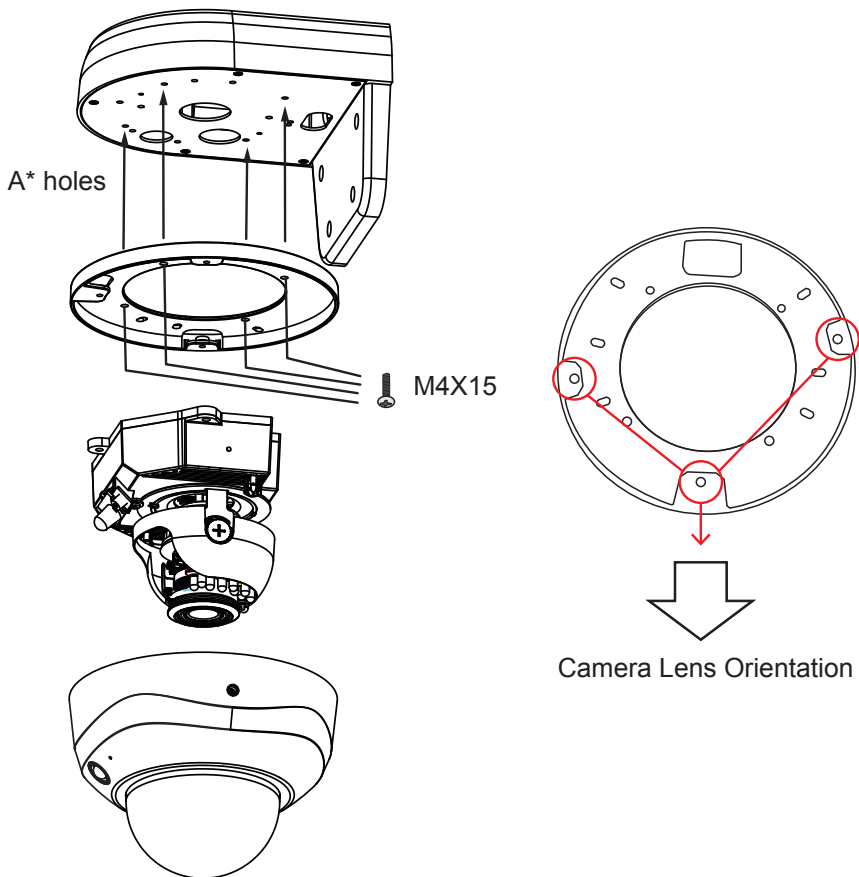
**NOTE:**

1. It is presumed that the corresponding AM-211 wall-mount bracket is installed with a hole drilled on the wall for routing power lines, DI/DO, and Ethernet cables.
2. Route cables before you secure the wall-mount bracket to a wall.
3. For details on the cable connections with each camera, please refer to their Quick Installation Guide.

## Wall Mount Installation

Below is a sample procedure using AM-211 wall mount bracket and an FD8162:

1. Determine a hard surface wall location, and use the four mounting holes on the bracket to mark the positions where holes will be drilled to secure the bracket.



2. Drill holes on the wall for securing the bracket and for routing cables.
3. Route cables through the wall and bracket.
4. Secure the wall mount bracket to the wall using the included screws and plastic anchors.
5. Rotate the adaptor ring to match the camera lens orientation you prefer, e.g., to the front or to the left. Secure the adaptor ring to bracket using the M4X15 screws to the A2 and A4 holes on the bracket.

6. Secure the camera to the adaptor ring using the included screws.
7. Connect power lines and cables to the camera.
8. Proceed with initial setup such as enabling network access, focus tuning, or zooming.  
When done, secure the outer dome cover.

**NOTE:**

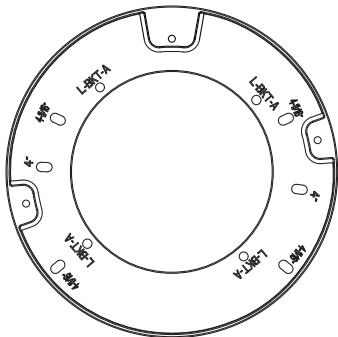
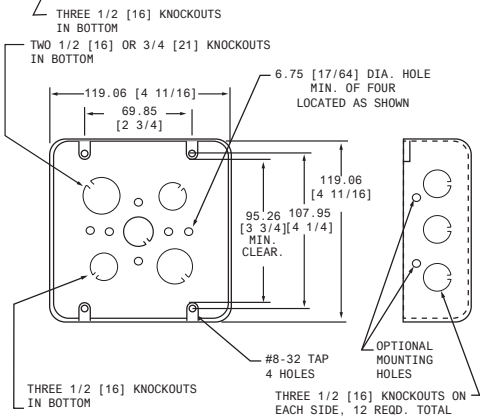
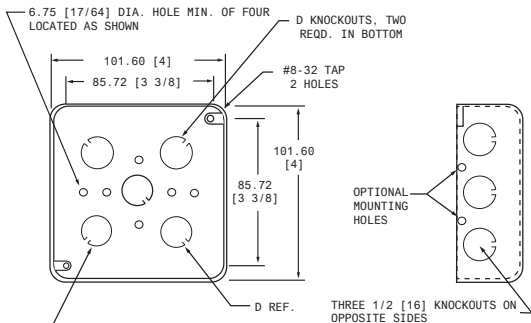
Use the correct type of screws when installing cameras to the mounting cap. Refer to page 2 for the screw type.

---



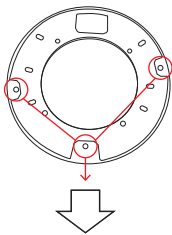
### Ceiling Mount to a Junction Box

Below are the basic dimensions of standard, US style, 4 in. or 4 11/16 in. junction boxes. The AM-516 adaptor ring complies with such junction box.



Align the adaptor ring with holes on the junction box following the markings on the ring.

Use the included 8# 1/2 screws for mounting to a junction box.



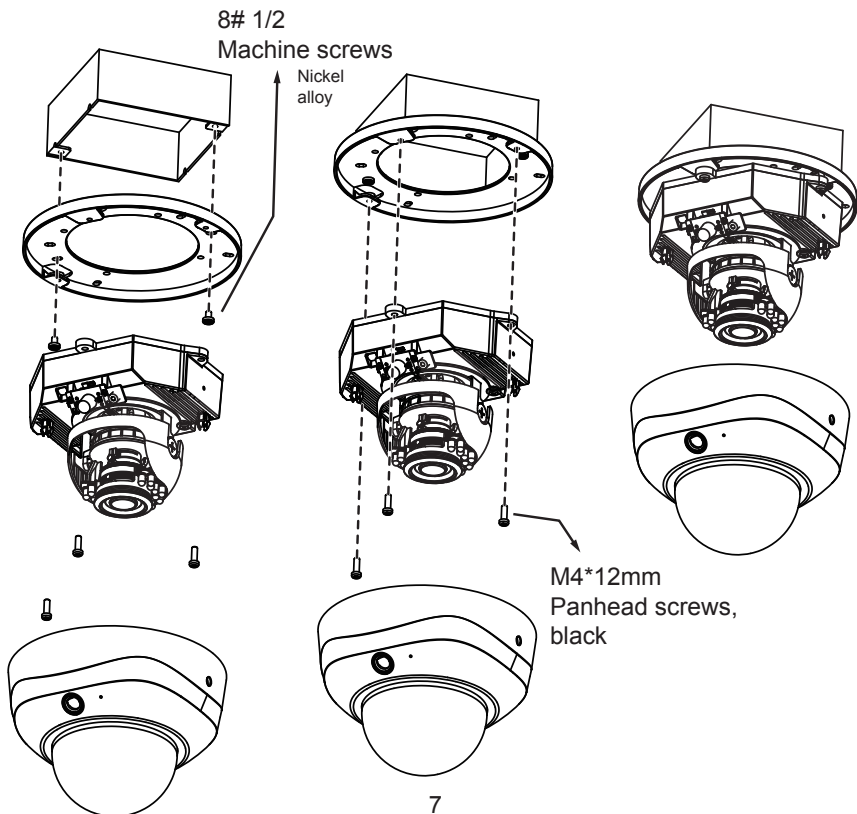
Camera Lens Orientation

Orient the adaptor ring to match the tap holes on the junction box, so that the camera's shooting angle can be more easily directed to the area of your interest, although the camera comes with mechanisms to adjust lens orientation.

Note that the junction box should be able to carry a weight of at least 3 kilograms.

To install camera with the adaptor ring:

1. Use the included machine screws to fasten the adaptor ring to a 4 in. or 4 11/16 in. junction box.
2. Route cables through the opening.
3. Secure the camera to the adaptor ring onto the 3 elevated mounting holes.
4. Connect the cabling, use the Ethernet connection to open a web console. Adjust the camera's shooting angle, focus, and zoom. When done, install the dome cover.



---

---

This page is intentionally left blank.