

## VIVOTEK IP8152 Mini Box Series

# Outdoor Enclosure

Using

AE-251/-252 Outdoor Enclosure,  
AE-201/-202 Indoor Enclosure,  
AM-114 Pendant Head (outdoor),  
AM-116 and AM-117 Pendant Pipes,  
AM-221 Gooseneck,  
AM-212 Wall-mount bracket,  
AM-311 Pole Mount,  
AM-411 Corner Mount,  
AM-711 Junction Box.

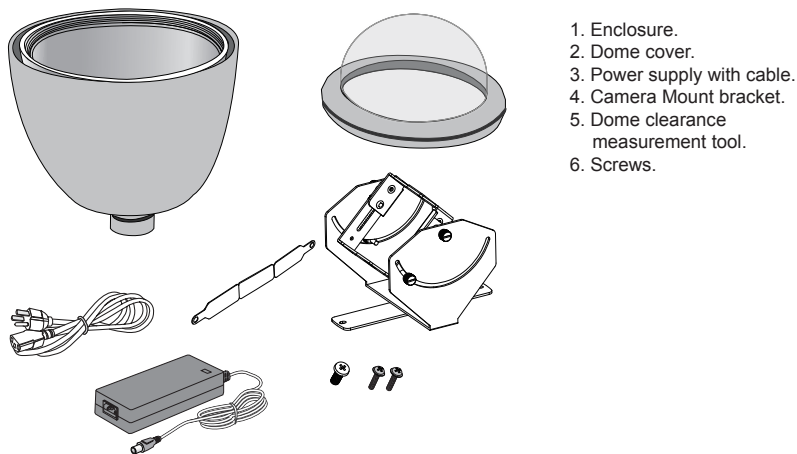
Installation Guide

Rev. 1.0

## Revision History:

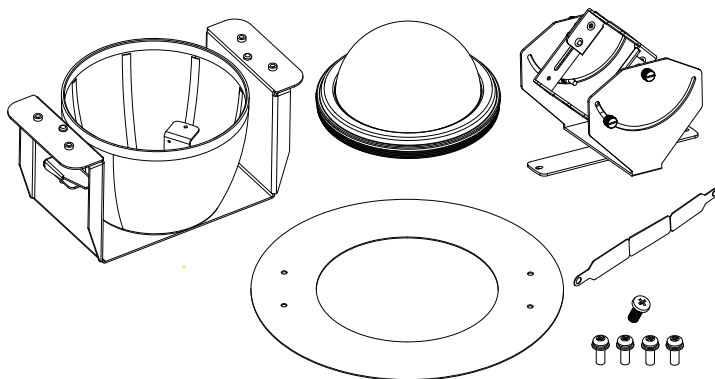
Rev. 1.0: Initial release.

## AE-251 and AE-252 Outdoor Enclosure Package Contents




1. Enclosure.
2. Dome cover.
3. Power supply with cable.
4. Camera Mount bracket.
5. Dome clearance measurement tool.
6. Screws.

## AE-201 and AE-202 Indoor Recess Mount Housing Package Contents

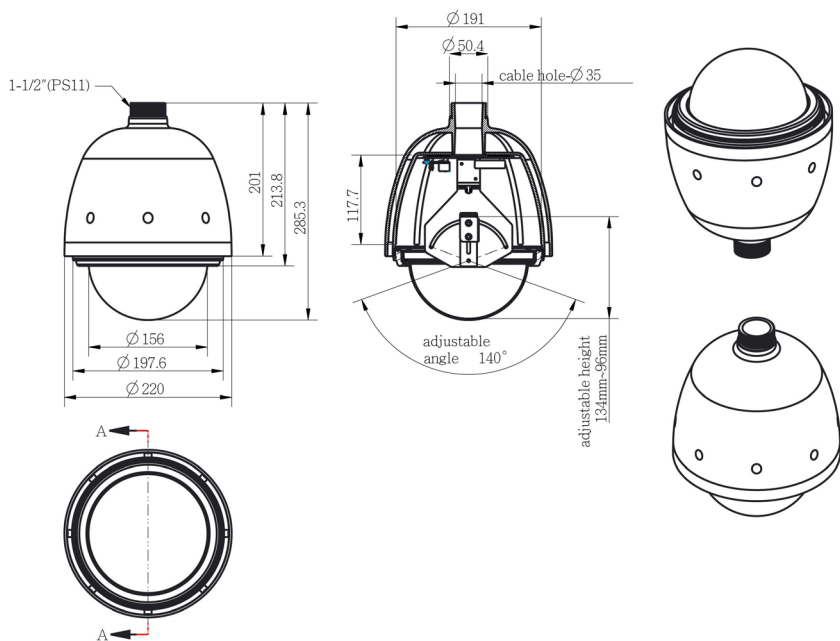


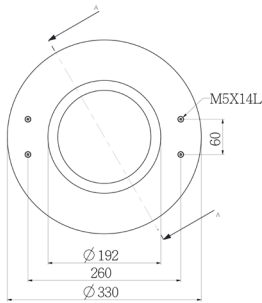
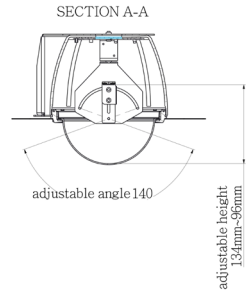
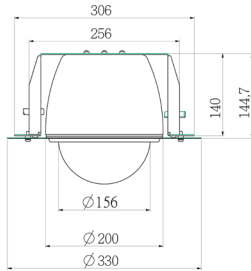
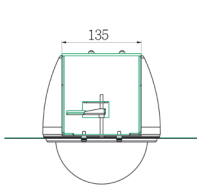
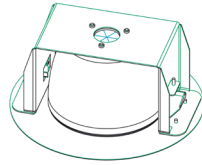
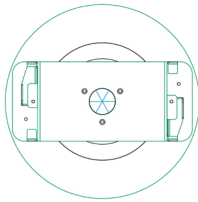
1. Enclosure (indoor).
2. Dome cover.
3. Trim ring.
4. Camera Mount bracket.
5. Dome clearance measurement tool.
6. Screws.

# 1 Compatible VIVOTEK Cameras

AE-201 AE-202 AE-251 AE-252	<b>IP8152</b>	
--------------------------------------	---------------	---

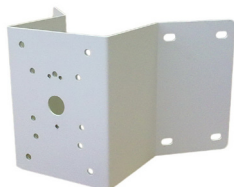
## Mechanical Dimensions





**Warning:**

1. Select a suitable location where the camera is free from accidental damage, tampering, or harsh environmental conditions.
2. Locate a place for the installation where the camera can not be intentionally or unintentionally interfered.
3. Select a solid and flat mounting surface that can support the combined weight of the camera and associated hardware. Vibration and temperature range should also be taken into consideration.

**2 Compatible Accessories****Compatible Accessories (1-1): AM-221 Gooseneck Bracket****Compatible Accessories (1-2): AM-212 Wall-mount Bracket****Compatible Accessories (2): AM-311 Pole Mount Bracket****Compatible Accessories (3): AM-411 Corner Mount Bracket**

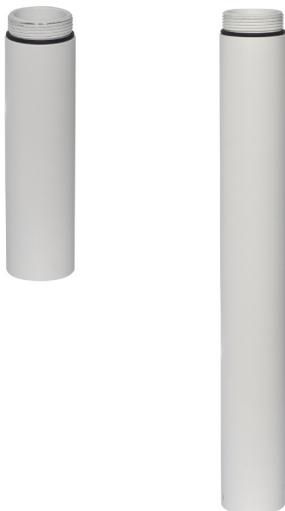
**Compatible Accessories (4): AM-711 Junction Box**



**Compatible Accessories (5-1): AM-114 Pendant Head**



**Compatible Accessories (5-2): AM-116 and AM-117 Pendant Pipe**

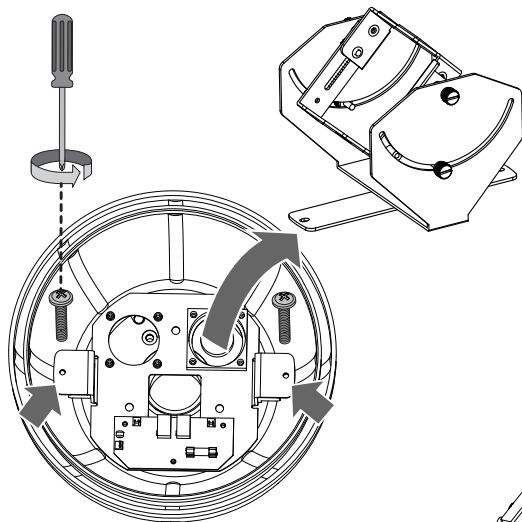


### 3 Mounting & Cabling with Outdoor Enclosures

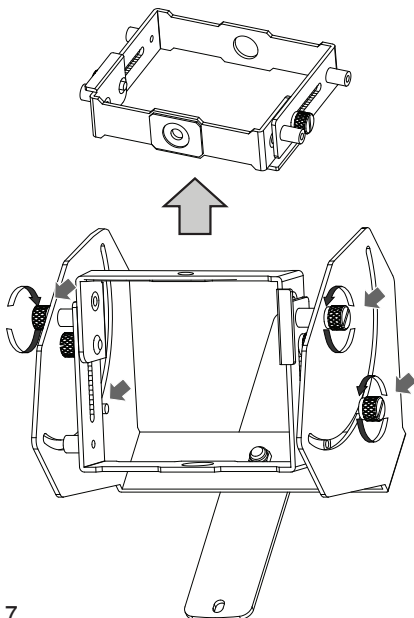
#### 3-1. Installing Camera to AE-251 and AE-252 Housing

Below is a general sample procedure using an outdoor enclosure:

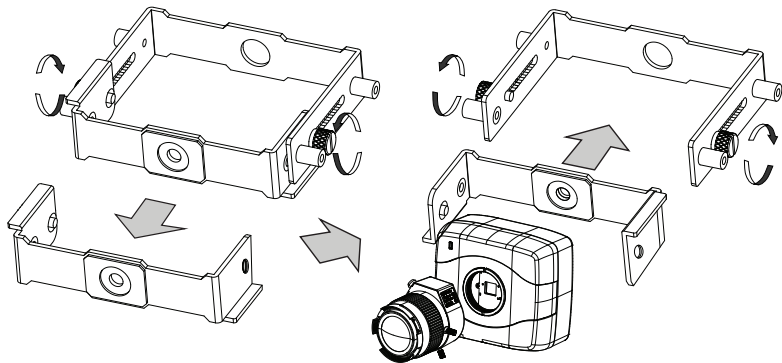
1. Use a Phillips screwdriver to loosen the 2 screws on the sides of the camera bracket.



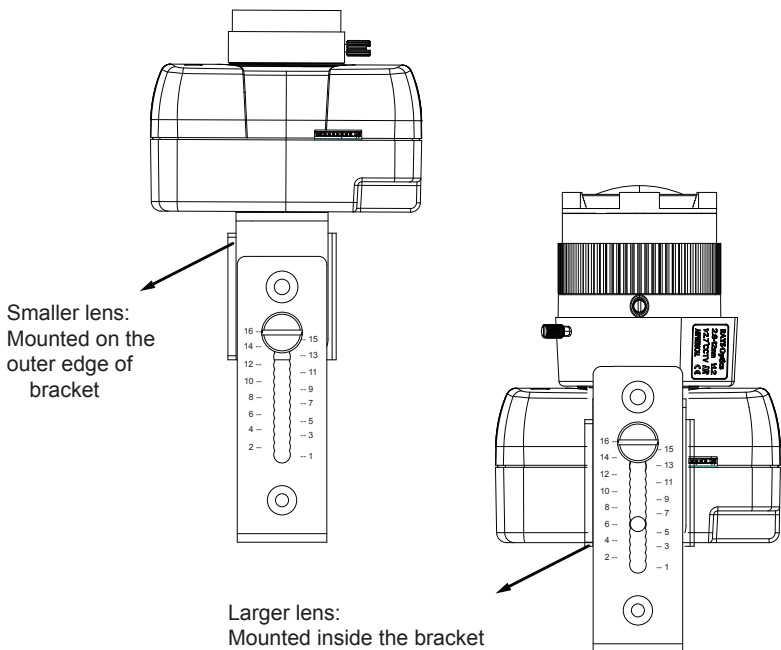
2. Detach the inner bracket by loosening the four thumb screws on the sides.



3. The IP8152 supports 4 different lens modules. If you are installing the larger lens [AL-231(2.8-12mm), and AL-234(5-50mm)], you need to remove the inner bracket and install it in the opposite direction as shown below. Tighten the hand screws from the sides.

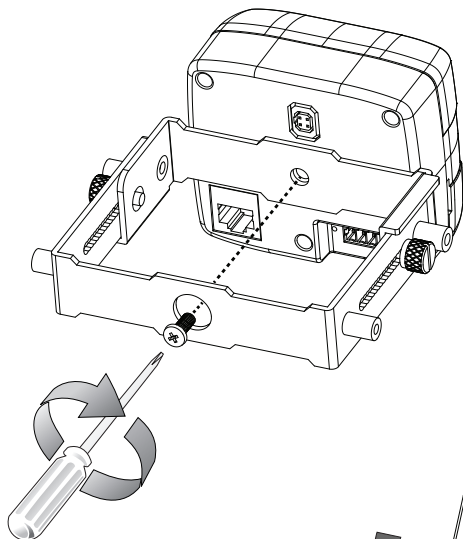


4. Reverse the inner bracket if the larger lens (AL-231 and AL-234) are used. Secure the inner bracket from the sides as illustrated below.

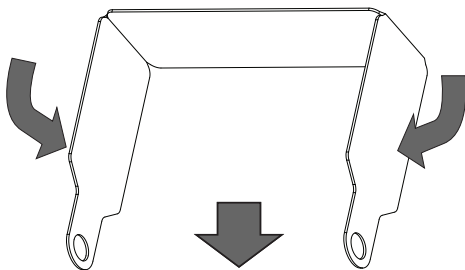




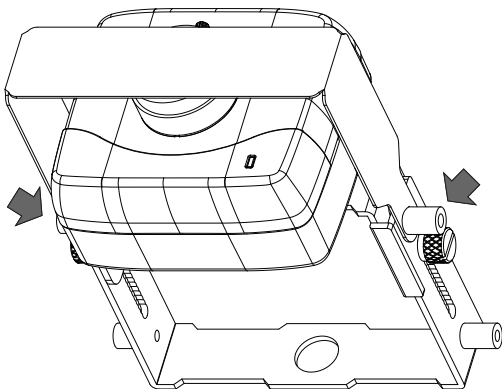
5. Secure camera to the bracket assembly by driving a flathead screw.



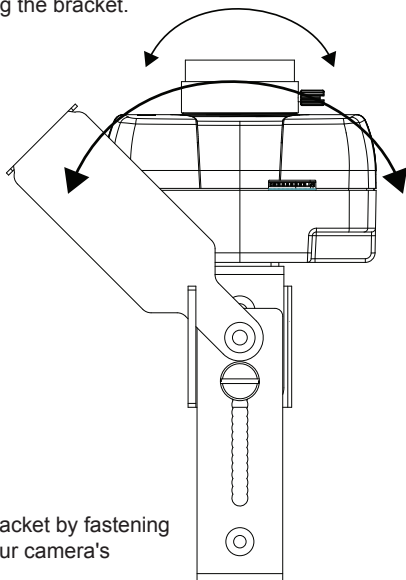
6. Bend the included measurement tool into a rectangular arch. Attach the measurement tool to the top of camera lens to ensure your lens will not get in the way when the dome cover is installed.



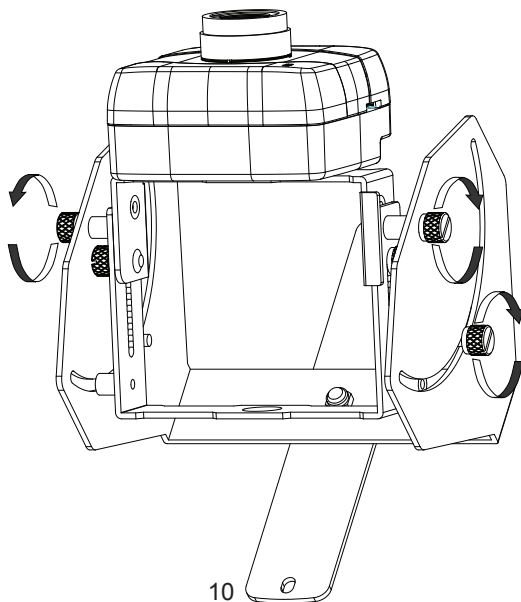
The vertical length of the measurement tool equals the clearance between the bracket and the dome cover.



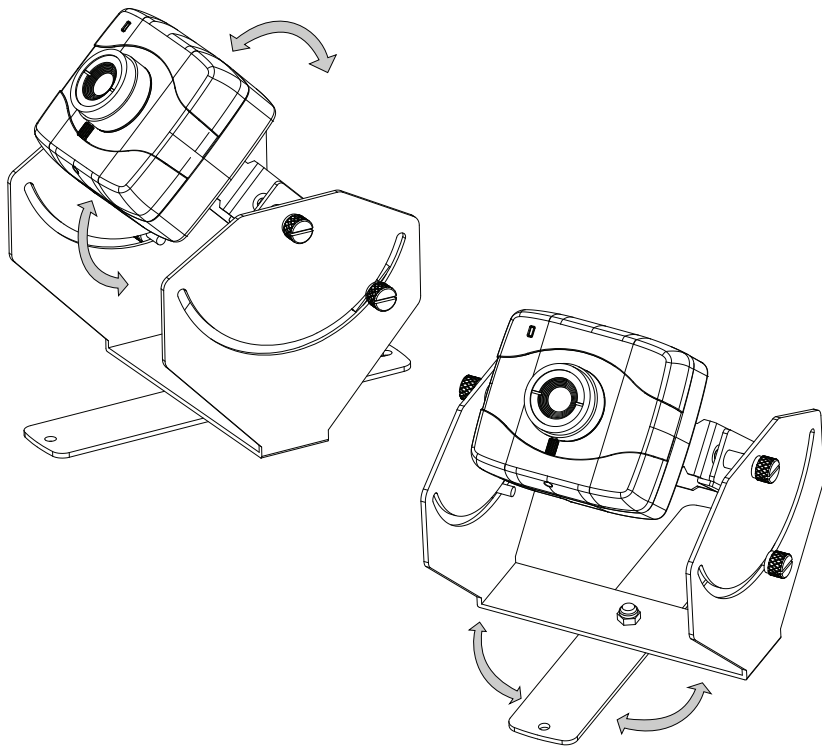
You should also swing the measurement tool and the camera back and forth to make sure there is enough clearance at different shooting angles. You can make adjustments by changing the camera's position along the bracket.



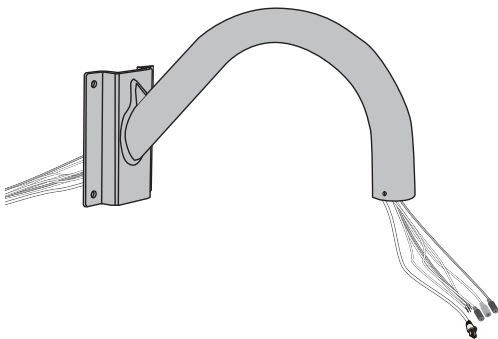
7. Secure the camera to the large base bracket by fastening the 4 thumb screws while you orient your camera's shooting direction.



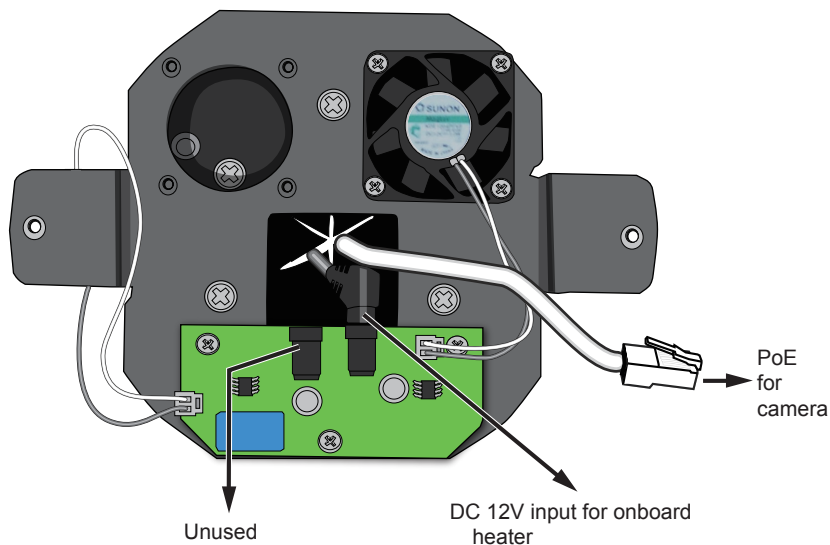
Make adjustments to the camera's shooting direction.



8. Feed power lines and other cables through a gooseneck bracket, a pendant head, or a pendant pipe.



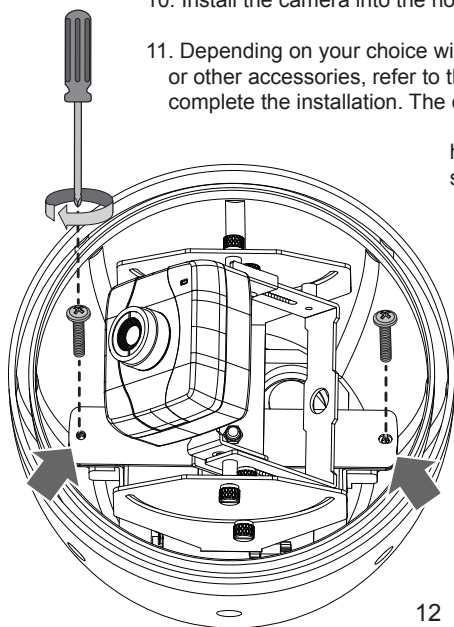
9. Insert and connect power cables and the Ethernet cable as shown below. The IP8152 can only be powered by a PoE Ethernet connection.



10. Install the camera into the housing by driving 2 M6 screws.

11. Depending on your choice with the mounting type using a gooseneck or other accessories, refer to the instructions in the following sections to complete the installation. The dome cover is installed after you complete

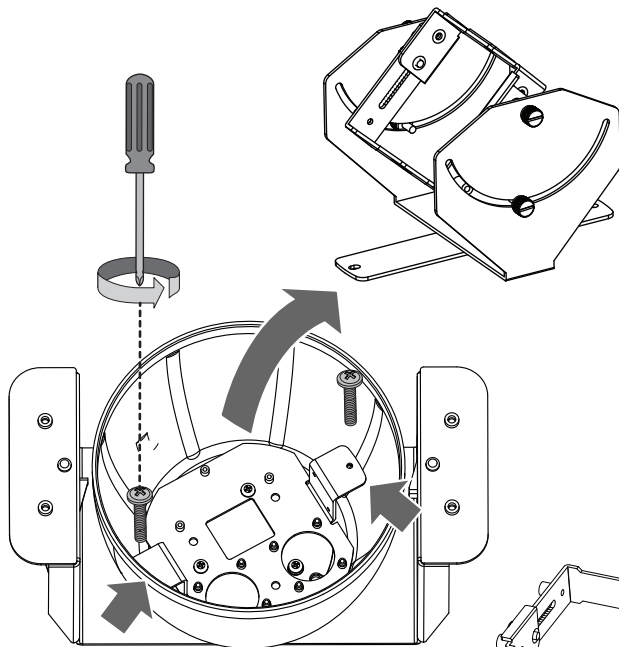
hardware installation and acquire a satisfactory imaging result.



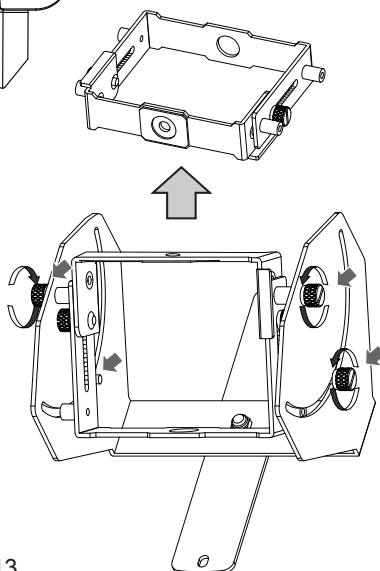
## 3-2. Installing AE-201 and AE-202 Housing

Below is a general sample procedure using an outdoor enclosure:

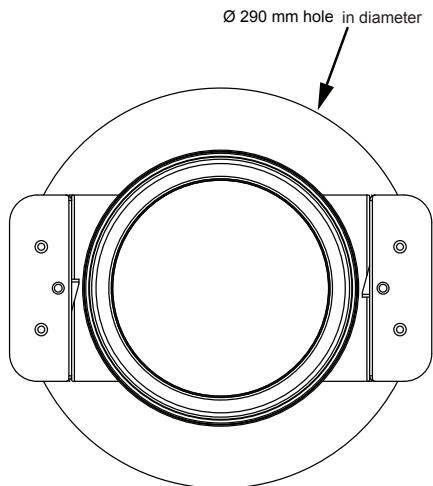
1. Use a Phillips screwdriver to loosen the 2 screws on the sides of the camera bracket.



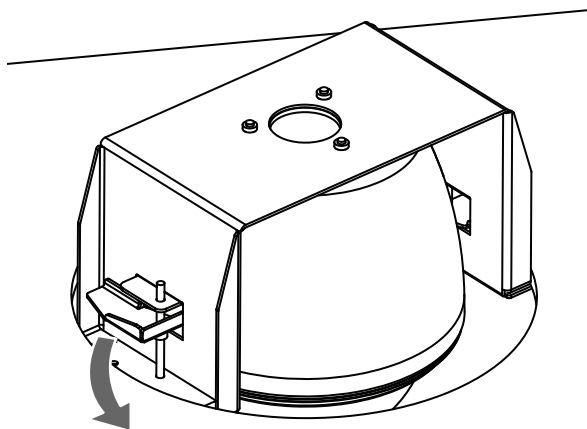
2. Detach the inner bracket by loosening the four thumb screws on the sides.

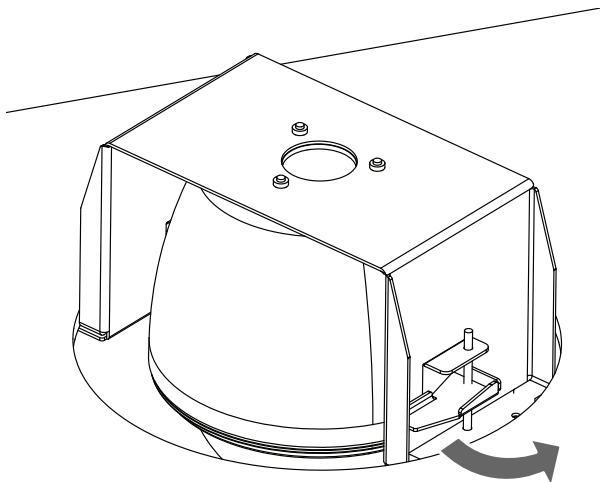


3. For details about installing camera to the brackets, please refer to previous discussions on page 7, page 9, page 10, page 11, and page 12; from step 3 to 7, step 10, and step 11.
4. Drill a hole on the ceiling that is 290mm in diameter.
5. Install the housing to the ceiling.

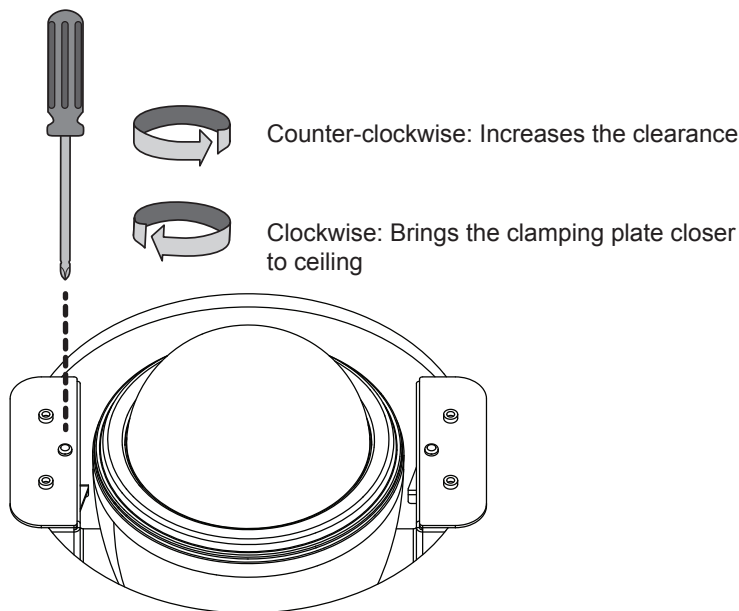


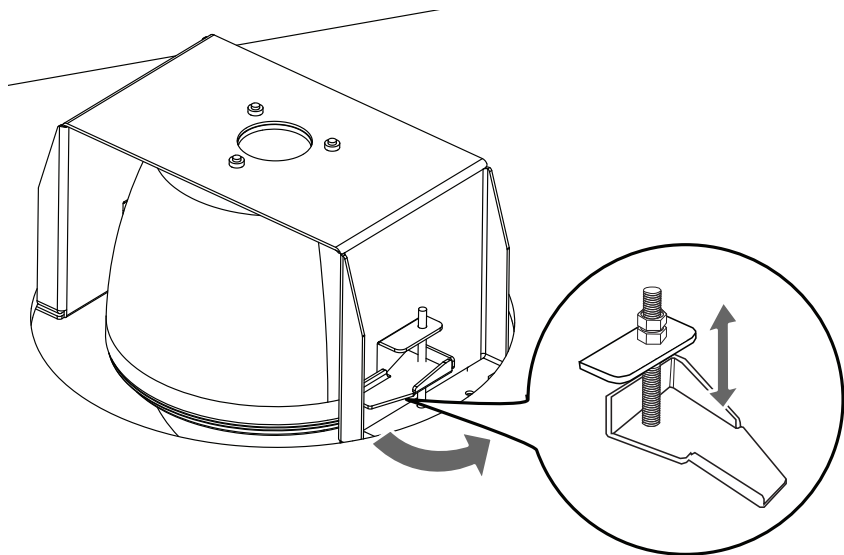
6. Pull the stainless clamp on both sides of the housing out and into position.



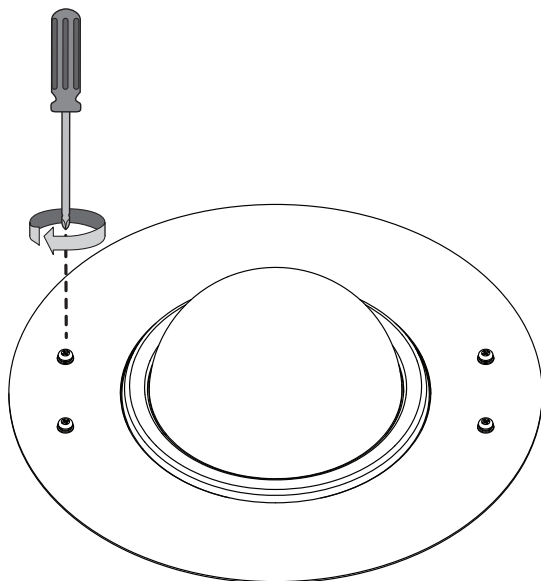


7. Use a Phillips screwdriver to turn and to fit the stainless clamping plates against the ceiling board.





8. Install the trim ring to the housing by fastening 4 screws.

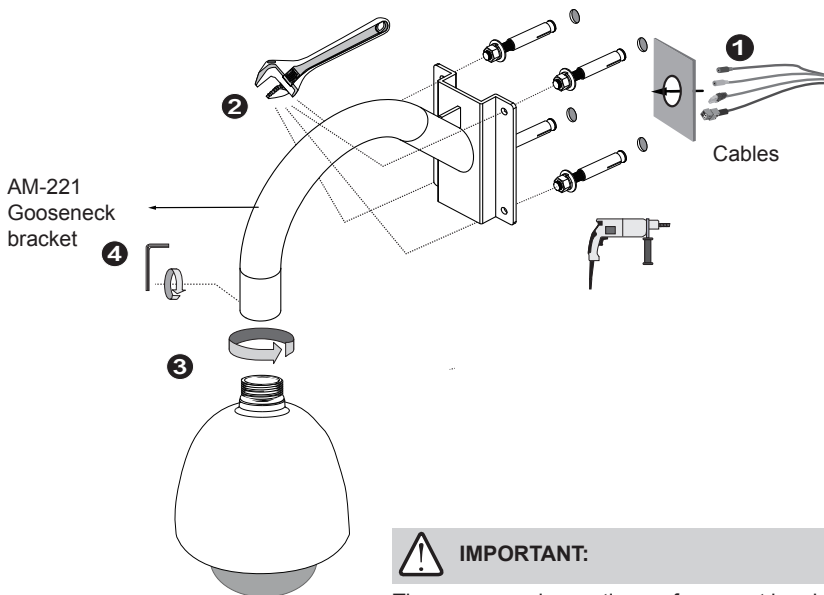




### 3-3. Gooseneck Installation

Below is a general, sample procedure using a gooseneck bracket:

1. Route power lines and other cables through the wall and the bracket.
2. Locate the position where you want to install the gooseneck bracket and camera. Drill holes on the wall for securing the bracket and for routing the cables.  
Secure the bracket by hammering anchors into the wall and then fasten hex nuts and washers on them.
3. Attach the outdoor enclosure to the bracket by rotating it clockwise until it is tightly fastened.



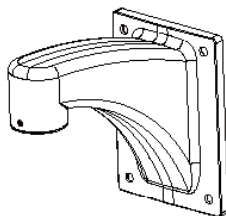
#### IMPORTANT:

The screws and mounting surface must be able to support a weight of 6 kg.

4. Use a hex wrench to secure the mounting adapter to the gooseneck bracket.

When cabling is done, proceed with initial setup such as enabling network access, focus tuning, or zooming. When done, secure the outer dome cover.

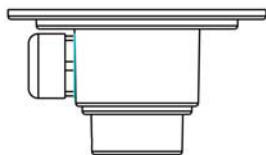
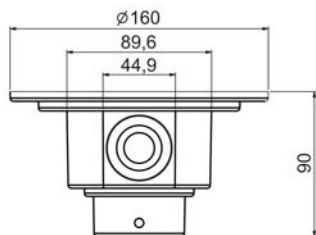
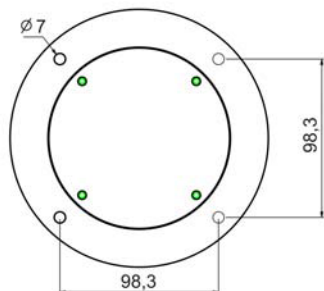
The same installation method applies to the AM-212 wall-mount bracket.



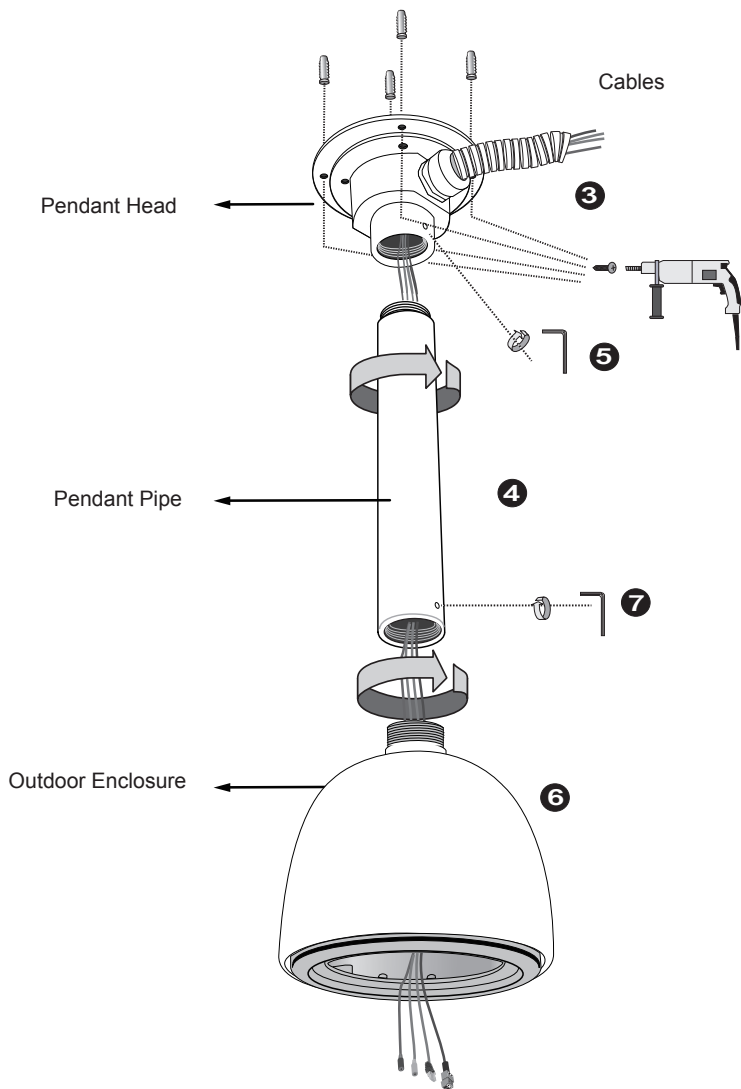
### 3-4. Pendant Mount Installation

Below is a sample procedure using a Pendant pipe:

1. Determine a hard surface ceiling location, and use the mounting holes on the pendant head itself for marking where holes will be drilled to secure the pendant head. Drill holes 10mm in diameter and 60mm deep.
2. Locate the position where you want to install the pendant pipe and camera. Drill holes on the ceiling for securing the pendant head. Secure the pendant head by hammering anchors into the ceiling and then fasten screws through it.



3. Route power lines and other cables through the side opening and a 1-inch conduit (user-supplied), and through the pendant pipe.
4. Secure pendant pipe to the pendant head by rotating it clockwise until it is tightly fastened.



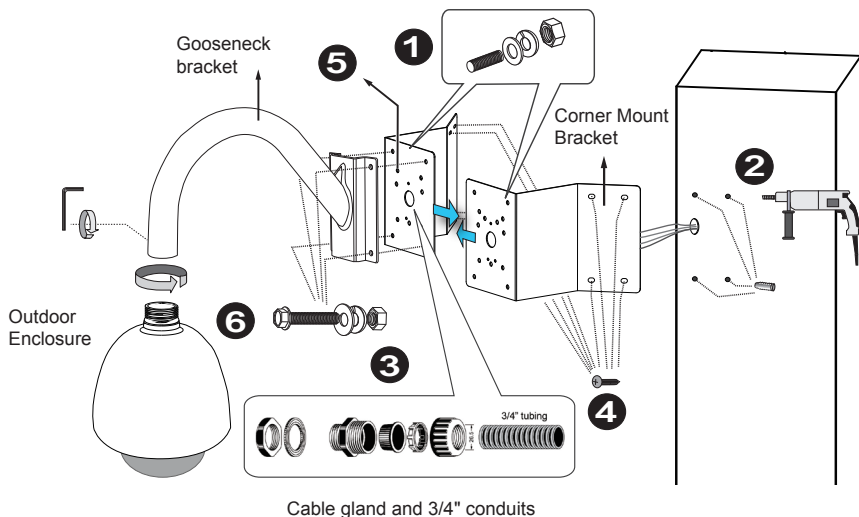
5. Secure the connection using the included hex wrench.
6. Attach the outdoor enclosure to the pendant pipe by rotating it clockwise until it is tightly fastened.
7. Secure the connection using the included hex wrench.

When cabling is done, proceed with initial setup such as enabling network access, focus tuning, or zooming. When done, secure the outer dome cover.

### 3-5. Corner Mount Installation

Below is a general, sample procedure using a Corner mount bracket:

1. Combine the two brackets together using the included nuts and washers.
2. Align the assembled brackets with the desired position. Align screw holes on the brackets against the wall. Drill holes on the wall for securing the bracket and for routing the cables. Hammer anchors into the wall. Wall anchors are user-supplied.
3. Route power lines and other cables through the included cable gland, conduits (separately purchased), and install the cable gland to the brackets' through hole in the center.



#### IMPORTANT:

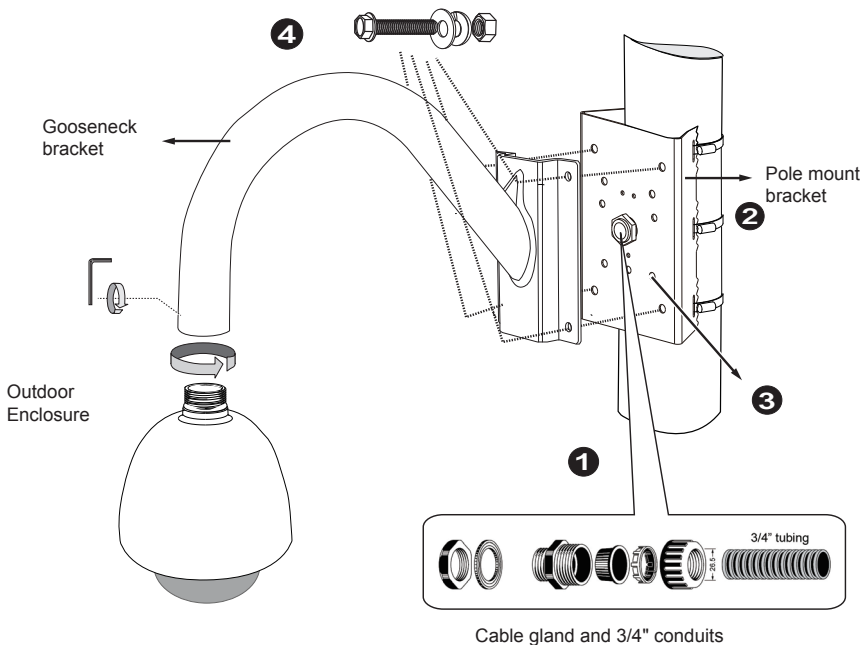
The screws and mounting surface must be able to support a weight of 6 kg.

4. Secure corner mount brackets to the wall. Screws are user-supplied.
5. Fill the unused holes on the bracket with the included silicone stoppers.
6. Use the included hex bolts, washers, and nuts to secure the gooseneck to the corner mount bracket.
7. The rest of the mounting procedure is identical to those described in the **Gooseneck installation on page 10**.

### 3-6. Pole Mount Installation

Below is a general, sample procedure using a Pole mount bracket:

1. Route power lines and other cables through the included cable gland, pass them through conduits (separately purchased), and install the cable gland to the pole mount bracket.
2. Locate the position where you want to install the pole mount bracket and camera. Unwrap the stainless belts, feed them through the openings on the sides of the bracket, and then strap them around the pole. Use a pincer and flathead screwdriver to fasten the bracket to the pole.
3. Fill the unused screw holes using the included silicone stoppers.



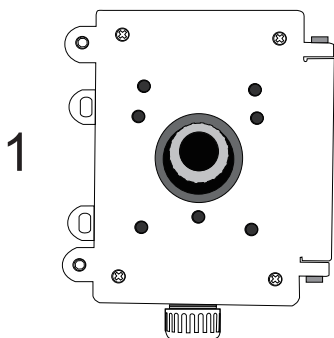
4. Secure the gooseneck bracket using the included hex bolts, washers, and nuts.

The rest of the mounting procedure is identical to those described in the **Gooseneck installation on page 10**.

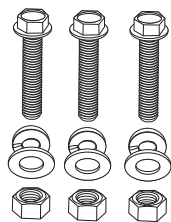
### 3-7. Junction Box Installation

Below are the package contents of the AM-711 junction box:

1. Junction box.
2. Screws for box type brackets.
3. Hex wrench.
4. Screws for speed dome type brackets or housings.



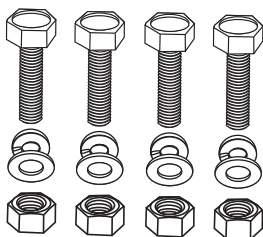
A 3/4" conduit is required for the waterproof connector in the center, and another 1-inch conduit should be fitted to the bottom connector.



2



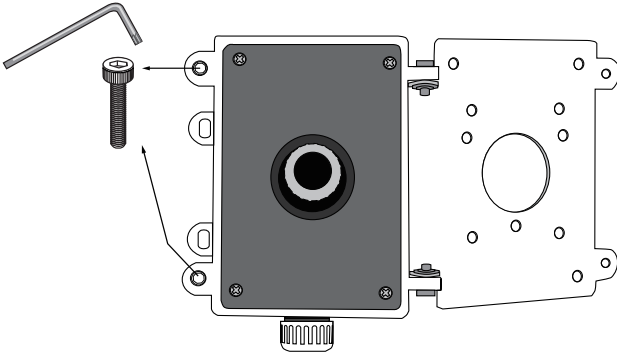
3



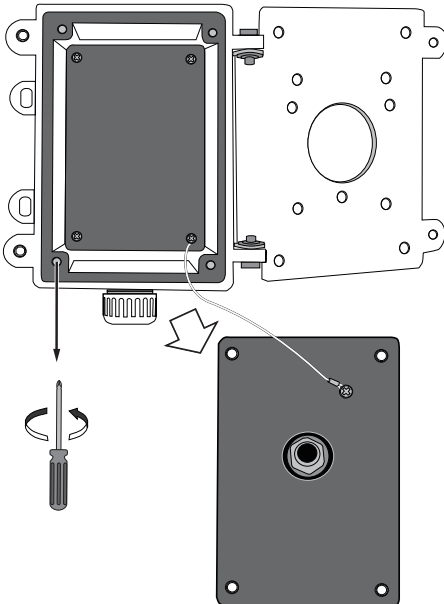
4

Below is a general, sample procedure using a junction box:

1. Use the included hex wrench to remove the socket head cap screws, and then open the front panel.

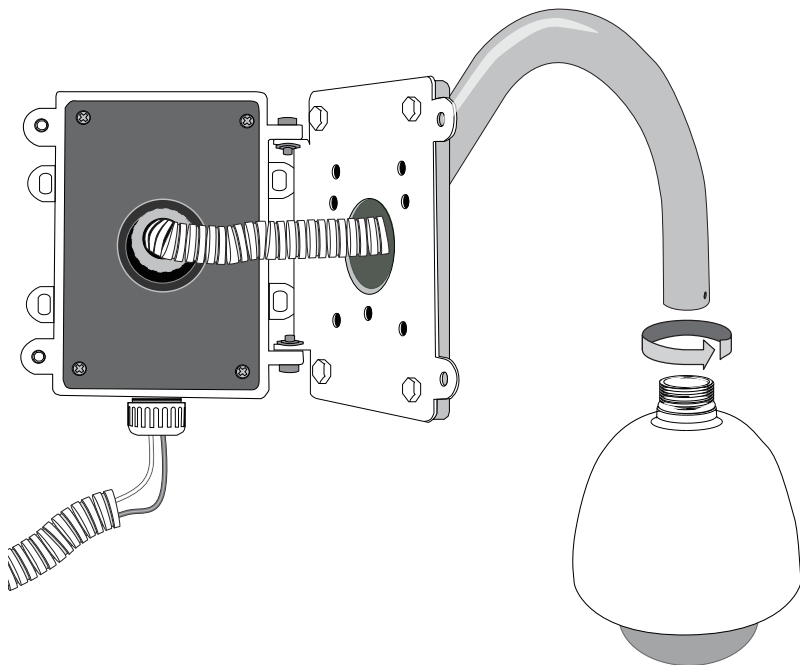


2. Use a Phillips screwdriver to loosen and remove the middle plate in the junction box. Feed cables and install accessories, such as power adaptors, through the box and the waterproof connectors on the box.

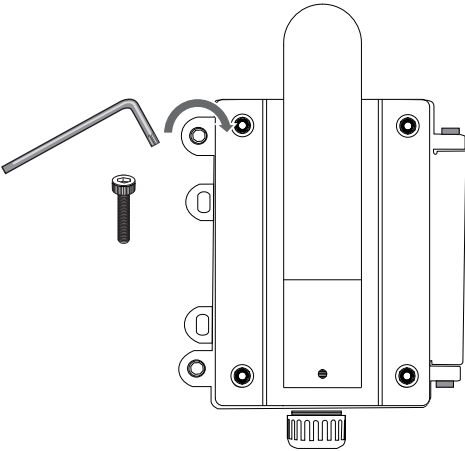




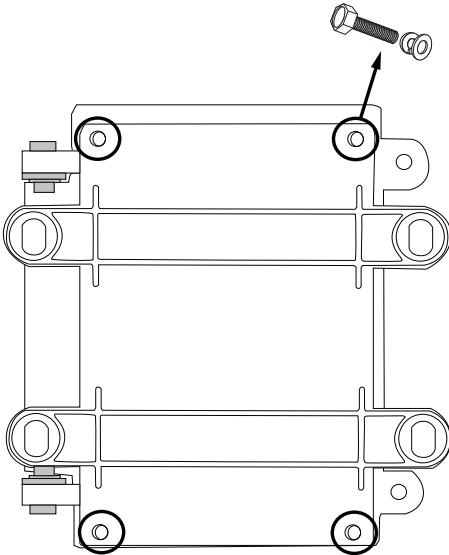
3. Use the included hex head bolts to secure a gooseneck bracket to the junction box.
4. cables should have been connected and routed through the waterproof connectors. Cable conduits should also be installed.



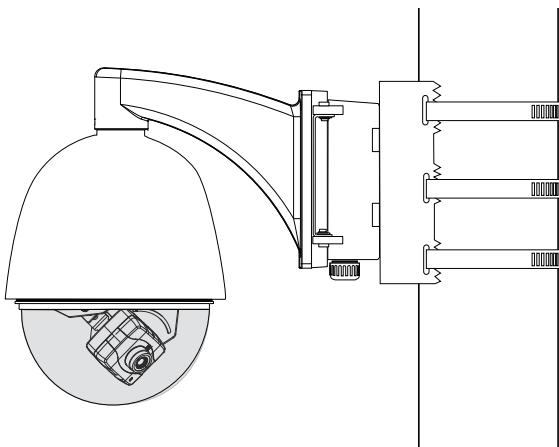
5. Use the included hex wrench to fasten the socket head screws for the front door.



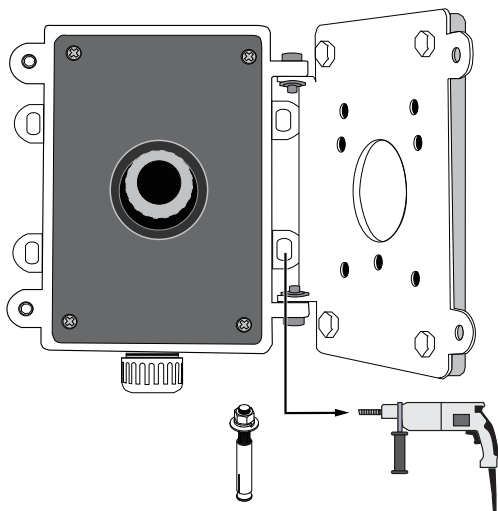
6. Use the 4 mounting holes on the back of the junction box to attach a pole mount or a corner mount bracket to the box. See previous discussions for details.



7. You should then attach the junction box, along with the camera, to a pole-mount or corner-mount position. A pole-mount installation is shown below.



You may also mount the junction box to a wall. The mounting holes on the right hand side is accessible when the front door is opened, and the anchors and screws are user-supplied.



---

This page is intentionally left in blank.