



Rack Installation Instructions

Translated versions of these instructions are available in softcopy form at www.ibm.com/storage/support.

Review the documentation that comes with your rack cabinet for safety and cabling information. When installing your server in a rack cabinet, consider the following:

- Ensure that the rack wheel chocks are in place before starting the rack installation.
- Ensure the room air temperature is below 35°C (95°F).
- Do not block any air vents; usually, 15 cm (6 in.) of air space provides correct airflow.
- Plan the device installation starting from the bottom of the rack cabinet.
- Install the heaviest device in the bottom of the rack cabinet.
- Do not extend more than one device out of the rack cabinet at the same time.
- Remove the rack doors and side panels to provide easier access during installation.
- Connect the server to a correctly grounded outlet.
- Do not overload the power outlet when installing multiple devices in the rack.
- The slide rails in this kit come preset to the correct length for installation in an IBM rack cabinet and they are adjustable for other rack cabinets.
- The slide rails are marked (RIGHT/FRONT and LEFT/FRONT) for correct placement on the rack-cabinet flanges.



Use safe practices when lifting.



≥18 kg (39.7 lb)



≥32 kg (70.5 lb)



≥55 kg (121.2 lb)

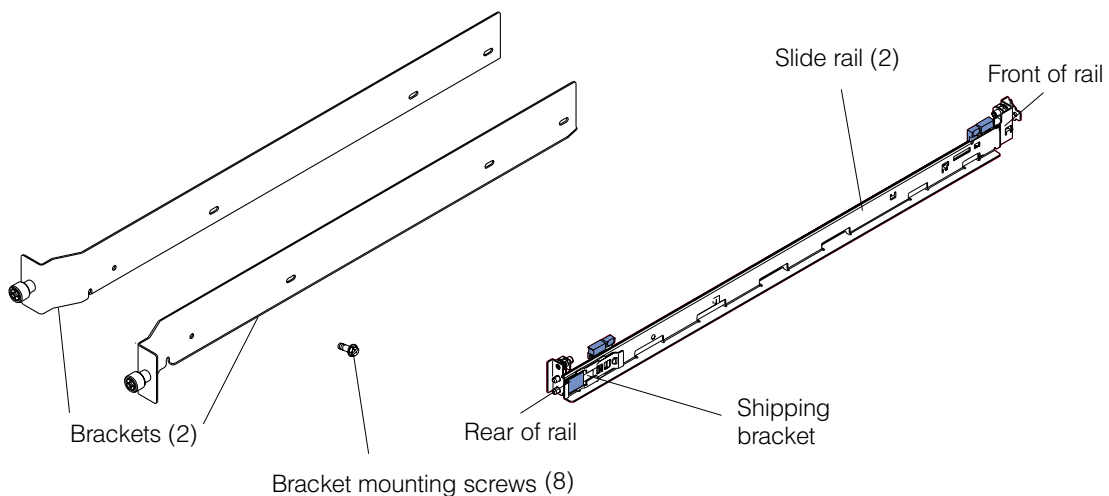


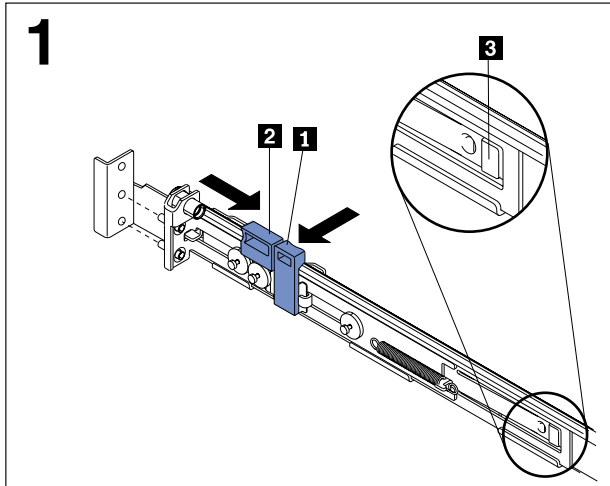
Due to the rail mount design, do not place any object weighing more than 50 kg (110 lb) on top of rack-mounted devices.



>50 kg (110 lb)

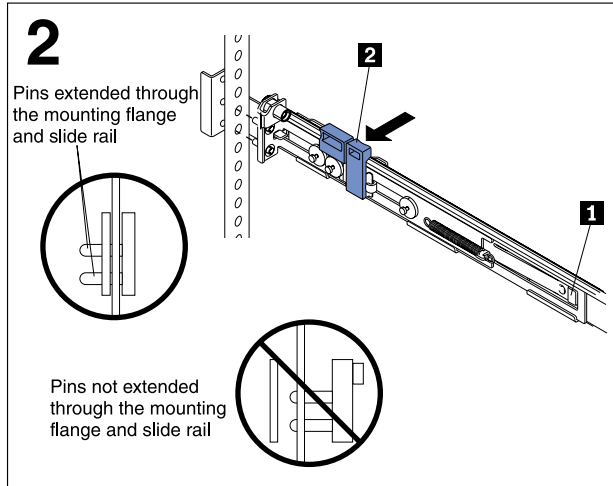
You will need a Philips screwdriver for the rack installation procedure. The following illustration shows the items that you need to install the server in your rack cabinet. If any items are missing or damaged, contact your place of purchase.





Press on tab **1** and tab **2** on the front rail-locking carrier and slide the rail-locking carrier toward the rear of the slide until it snaps into place.

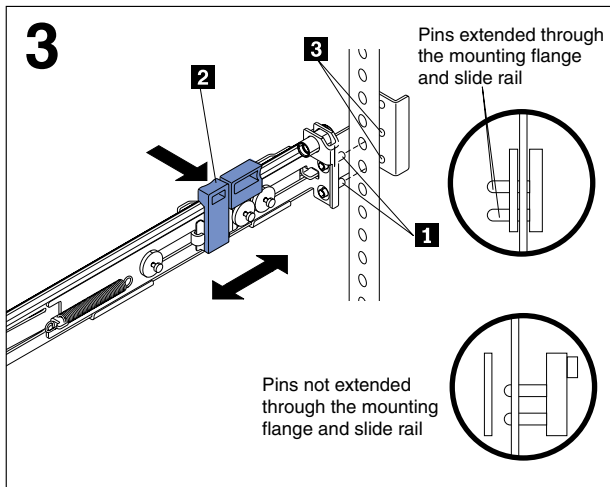
Press on the release tab **3** on the rear of the slide rail to prevent the bracket from moving. Then, press on tab **1** and tab **2** and slide the rail-locking carrier toward the front of the slide rail until it snaps into place.



Note: If you need to adjust the slide-rail length, lift the release tab **1** and fully extend the rail-adjustment bracket from the rear of the slide rail until it snaps into place.

Align the pins on the rear rail-locking carrier with the holes on the rear mounting flange. Then, press the tab **2** to secure the rear of the slide rail onto the rear mounting flange.

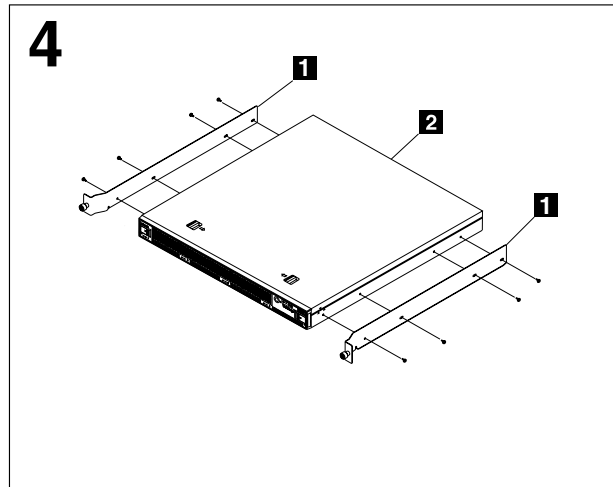
Important: Ensure that the pins are fully extended through the mounting flange and slide rail.



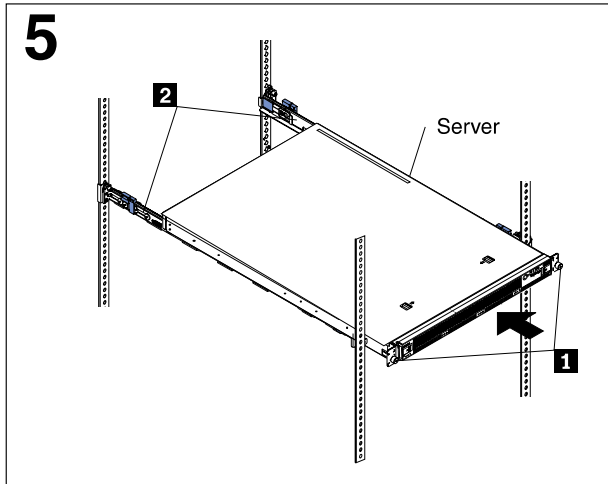
Align the pins **1** on the front rail-locking carrier to the front mounting flange. If you adjusted the rail length, push the rail-locking carrier back toward the rear of the slide rail to align the slide rail with mounting flange **3**. Then, press the tab **2** to secure the front of the slide rail onto the front mounting flange.

Important: Ensure that the pins **1** are fully extended through the mounting flange and the slide rail.

Repeat steps 1 and 2 for the other slide rail.



Attach the side bracket **1** to the server **2** using the bracket mounting screws.

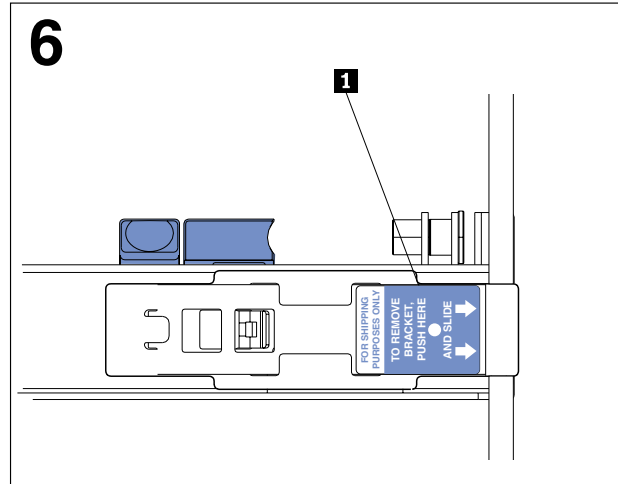


Align the server on the slide rails and push the server fully into the rack cabinet.

Secure the server to the front mounting flanges with the two captive thumbscrews **1**.

Note: You must leave the shipping brackets **2** attached to the slide rails unless shipping brackets impede the server from fully seating into the rack cabinet. If you need to remove the shipping brackets, continue with the next step.

To remove the server from the rack, reverse these instructions. Store this information with your server documentation for future use.



Press on the release tab **1** as indicated on the shipping bracket, and slide the shipping bracket off of the slide rail. Repeat this step for the other shipping bracket. Store the shipping bracket for further use.

Note: You must reinstall the shipping brackets on the slide rails before you transport the rack cabinet to another location with the server installed. To reinstall the shipping bracket, reverse this step.

IBM and the e-business logo are trademarks of the IBM Corporation in the United States, other countries, or both.

© Copyright International Business Machines Corporation 2002. All rights reserved.

Note to U.S. Government Users — Documentation related to restricted rights —use, duplication or disclosure is subject to restrictions set forth in GSA ADP Schedule Contract with IBM Corp.

Part Number: 18P7344

E/C: H80345

Printed in the U.S.A.



18P7344