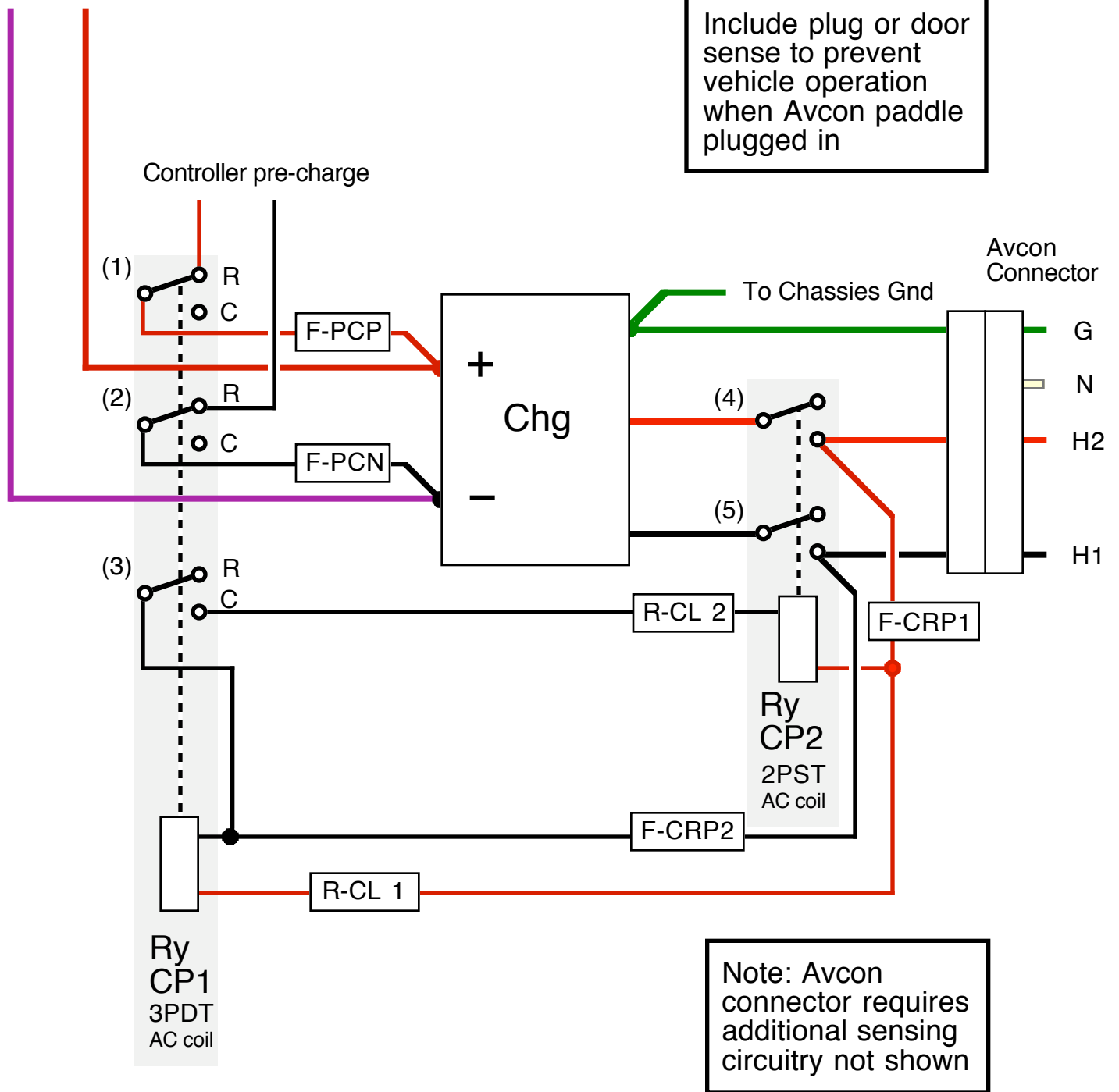


Charger with 220 Volt input wired for off-vehicle control of power provided via Avcon connector

To traction battery pack

Include plug or door sense to prevent vehicle operation when Avcon paddle plugged in



<http://en.wikipedia/wiki/Image:WPEVCharger220Avcon.png>

Wikipedia License cc-sa