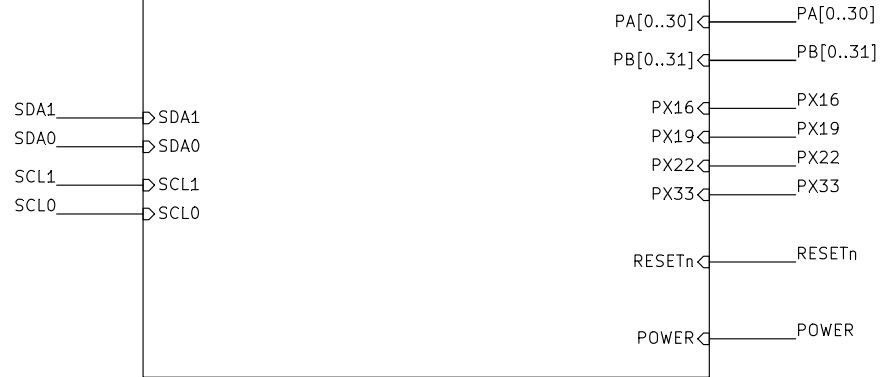


Sheet: Main Board

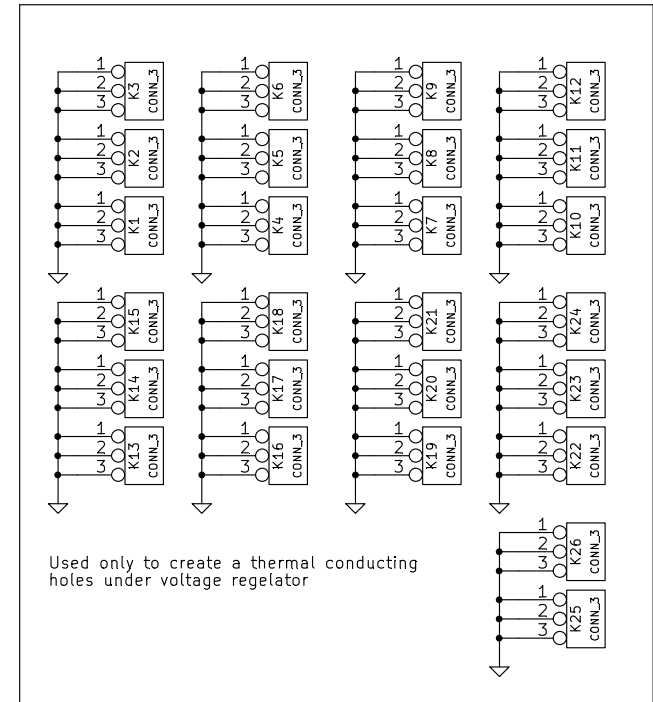


File: base_board.sch

Sheet: Connections



File: base_connections.sch



by Nuccio Raciti revised from Giuseppe & Antonio

SimpleMachines

File: Mizar32.sch

Sheet: /

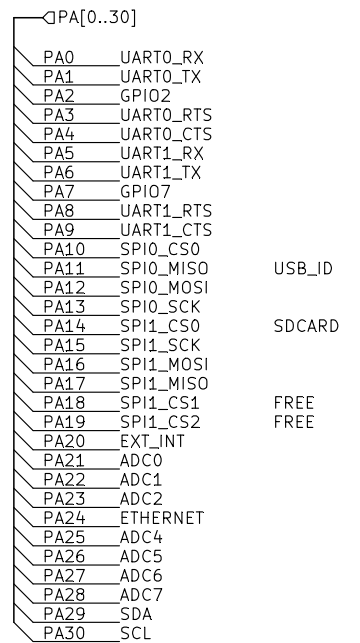
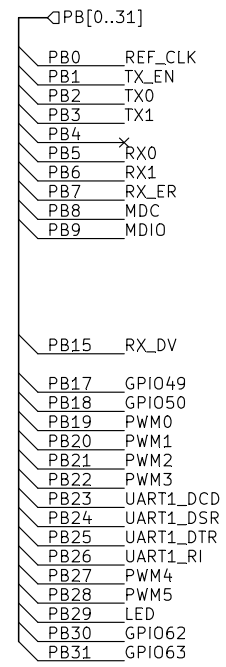
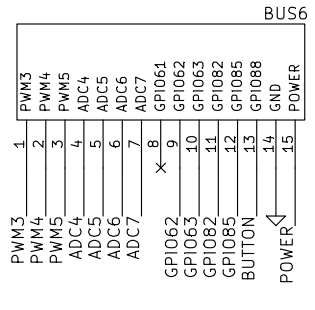
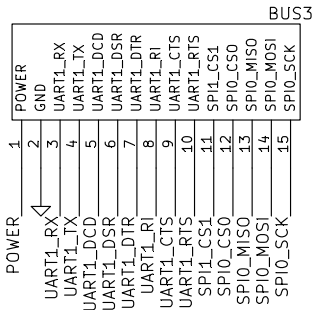
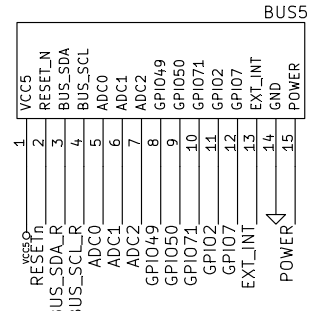
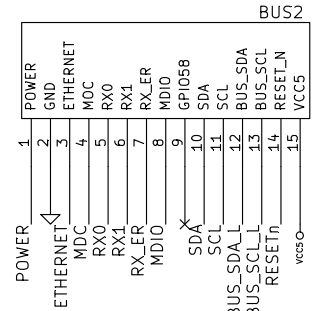
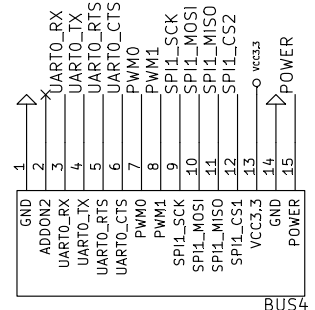
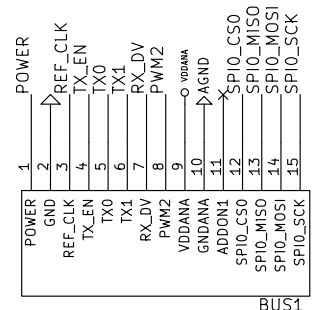
Title: Mizar Project – Main Board

Size: A4 Date: 12 sep 2011

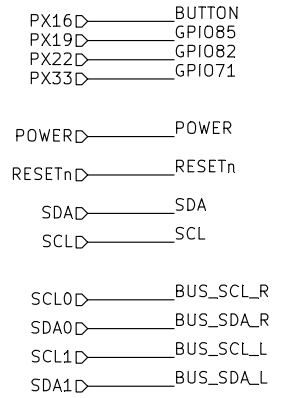
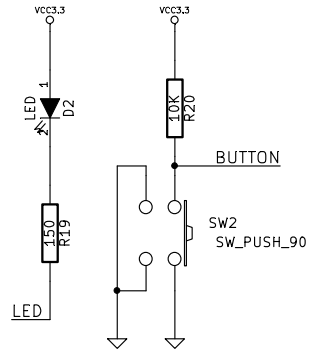
Rev: 1.3.2

KiCad E.D.A. eschema (2011-07-08 BZR 3044)-stable

Id: 1/3



USB_ID
SDCARD
FREE
FREE



by Nuccio Raciti revised from Giuseppe & Antonio
SimpleMachines
 File: base_connections.sch
 Sheet: /Connections/
Title: Mizar Project – Main Board
 Size: A4 Date: 12 sep 2011
 KiCad E.D.A. eeschema (2011-07-08 BZR 3044)-stable **Rev: 1.3.2**
 Id: 2/3

