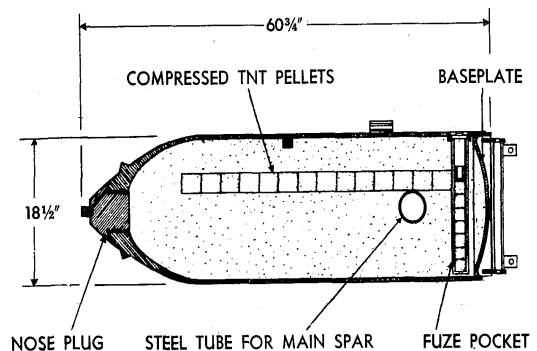
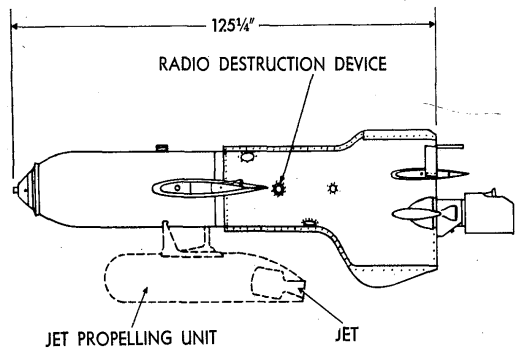
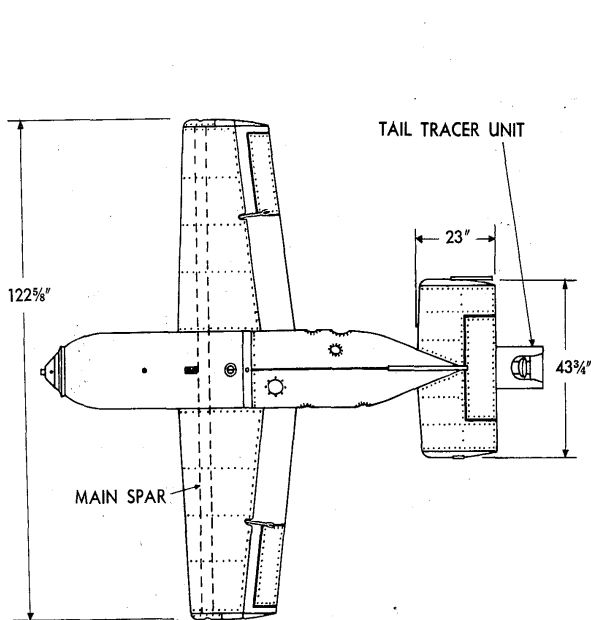


RADIO-CONTROLLED GLIDER BOMB



H. s. 293



The German high explosive bomb, H. s. 293, is a radio-controlled, jet-propelled glider, designed primarily for use against merchant ships and naval craft. It is usually released when the plane is in level flight at an altitude of from 3,000 to 5,000 feet, and at a distance of from 3 to 5 miles from the target. However, the bomb is not launched directly at the target, but is released during flight on a course parallel to that of the target. Upon release, the jet propulsion automatically goes into action, and thereafter the flight of the bomb is controlled from the airplane by radio. It is apparently aimed by eye alone and, as an aid to visibility, the tail is provided with flares and an electric lamp for night use.

H. s. 293 is made up of six main parts: the bomb which forms the forward part of the fuselage; the rear portion of the fuselage containing the radio control unit, a gyro, and a destructor; the jet propulsion unit (slung from the base of the bomb); the wings, or planes; the tail plane; and the tail tracer unit. The bomb case is of forged steel and is filled with approximately 600 pounds of 60/40 poured Amatol. A cylinder of compressed T.N.T. pellets lies in this filling, running forward from the fuze pocket. The control unit consists of a radio receiver, a motor generator, and a relay unit. A radio destruction device is located directly under the radio receiver and consists of a small charge with a clockwork fuze.

Propulsion is accomplished by means of a bi-liquid rocket unit. Wings and tail planes are of aerofoil section and the skin is of thin sheet alloy. Ailerons are provided for lateral control, and an elevator is concealed in the tail plane. Five flare candles burning consecutively make up the tail tracer unit.

SPECIFICATIONS

Overall length	148 ins.
Length of bomb	60 3/4 ins.
Diameter of bomb	18 1/2 ins.
Total weight (approx.)	1,980 lbs.
Span of mainplanes	122 3/4 ins.
Span of tailplanes	43 3/4 ins.
Diameter of jet-propulsion unit (approx.) ..	12 ins.
Weight of bomb (approx.)	1,320 lbs.
Color	Sky-blue