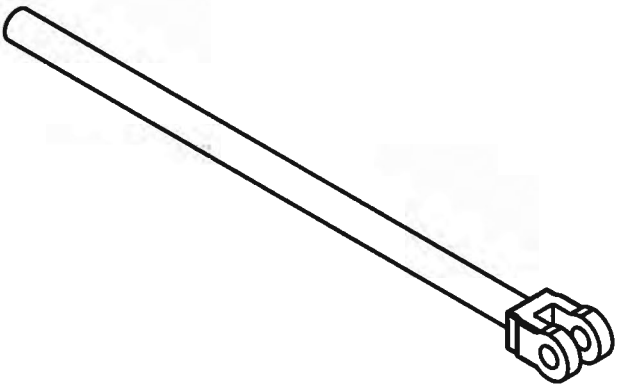
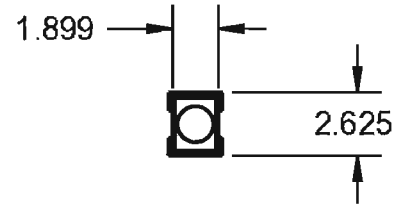
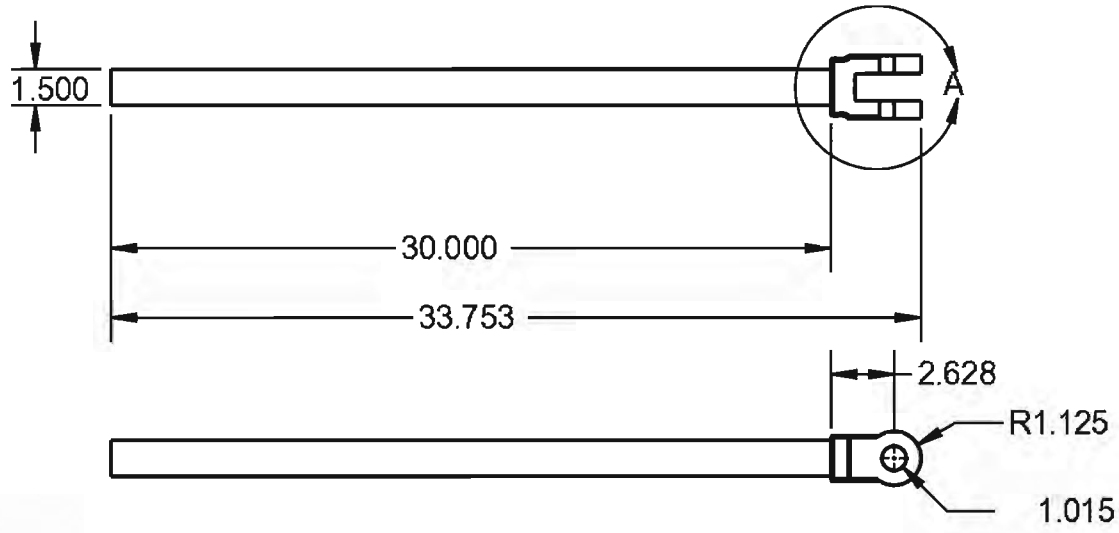


DETAIL A
SCALE 1 : 4



LICENSE INFORMATION
ALL INFORMATION RELEASE UNDER THE OSE
LICENSE FOR DISTRIBUTIVE ECONOMICS
FOR FURTHER INFORMATION GO TO:
OPENSOURCEECOLOGY.ORG/WIKI/LICENSE

	NAME	DATE
DRAWN	F. Anzaldua	3/28/12
CHECKED		
APPR.		
UNLESS OTHERWISE SPECIFIED DIMENSIONS ARE IN INCHES		
ANGLES	.X	.XX
	.5	.5



PROJECT: LIFE TRAC III	
TITLE 2.5X30X1.25 DA HYD CYL INNER SHAFT	
SIZE A	DWG. NO. PART NUMBER
SCALE: 1:8	WEIGHT: SHEET 1 OF 1

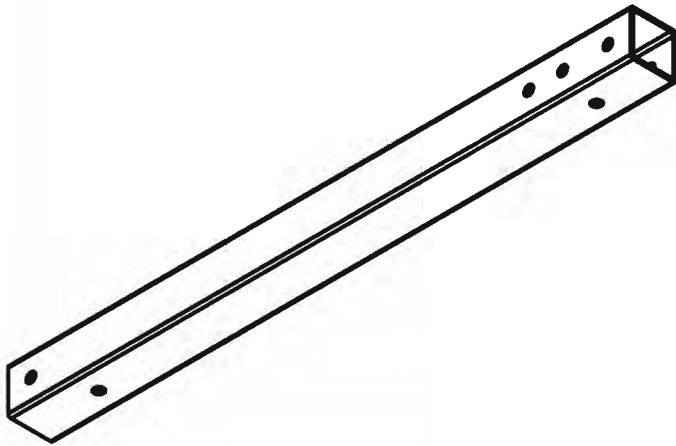
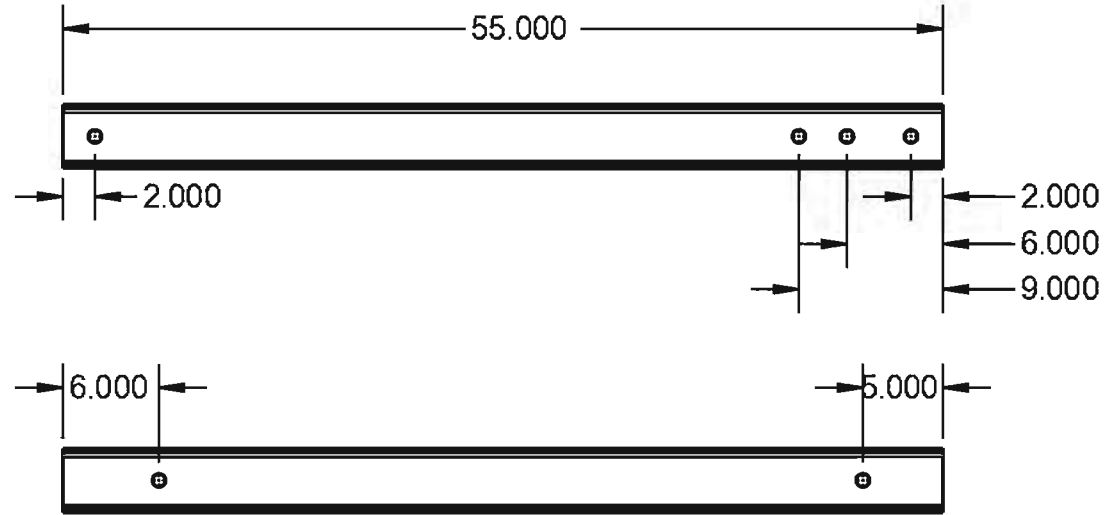
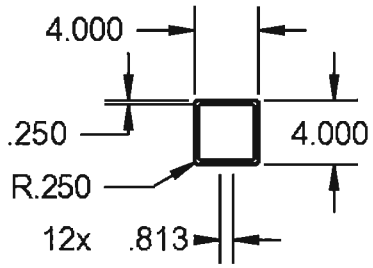
5

4

3

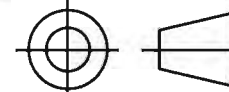
2

1



LICENSE INFORMATION
 ALL INFORMATION RELEASE UNDER THE OSE
 LICENSE FOR DISTRIBUTIVE ECONOMICS
 FOR FURTHER INFORMATION GO TO:
 OPENSOURCEECOLOGY.ORG/WIKI/LICENSE

	NAME	DATE
DRAWN	F. Anzaldua	3/28/12
CHECKED		
APPR.		
UNLESS OTHERWISE SPECIFIED DIMENSIONS ARE IN INCHES		
ANGLES	.X	.XX
	.5	.5



THIRD ANGLE PROJECTION

PROJECT: LIFE TRAC III		
TITLE 55 INCH FRONT- VERTICAL TUBE		
SIZE A	DWG. NO. PART NUMBER	REV
SCALE: 1:12	WEIGHT:	SHEET 1 OF 1

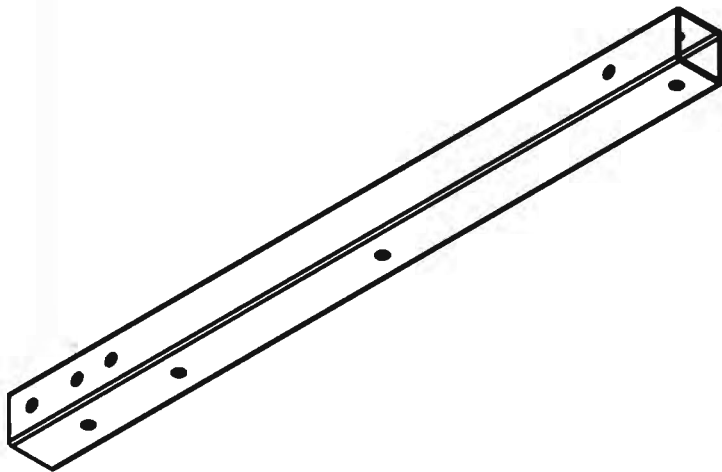
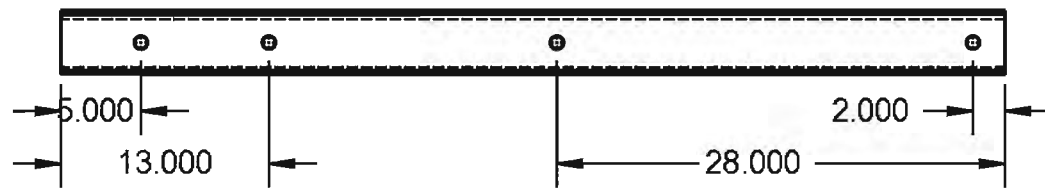
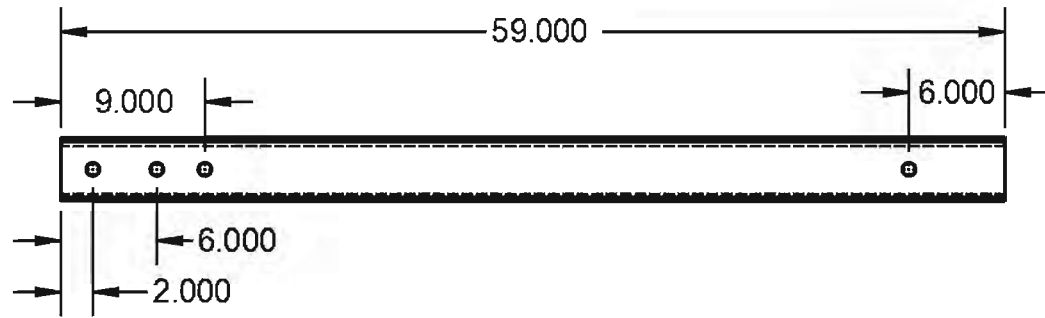
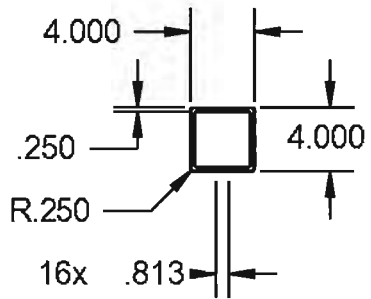
5

4

3

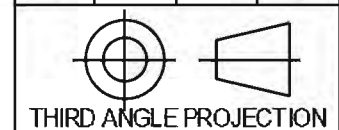
2

1



LICENSE INFORMATION
 ALL INFORMATION RELEASE UNDER THE OSE
 LICENSE FOR DISTRIBUTIVE ECONOMICS
 FOR FURTHER INFORMATION GO TO:
 OPENSOURCEECOLOGY.ORG/WIKI/LICENSE

	NAME	DATE	
DRAWN	F. Anzaldua	3/28/12	
CHECKED			
APPR.			
UNLESS OTHERWISE SPECIFIED DIMENSIONS ARE IN INCHES			
ANGLES	.X	.XX	.XXX
	.5	.5	.5



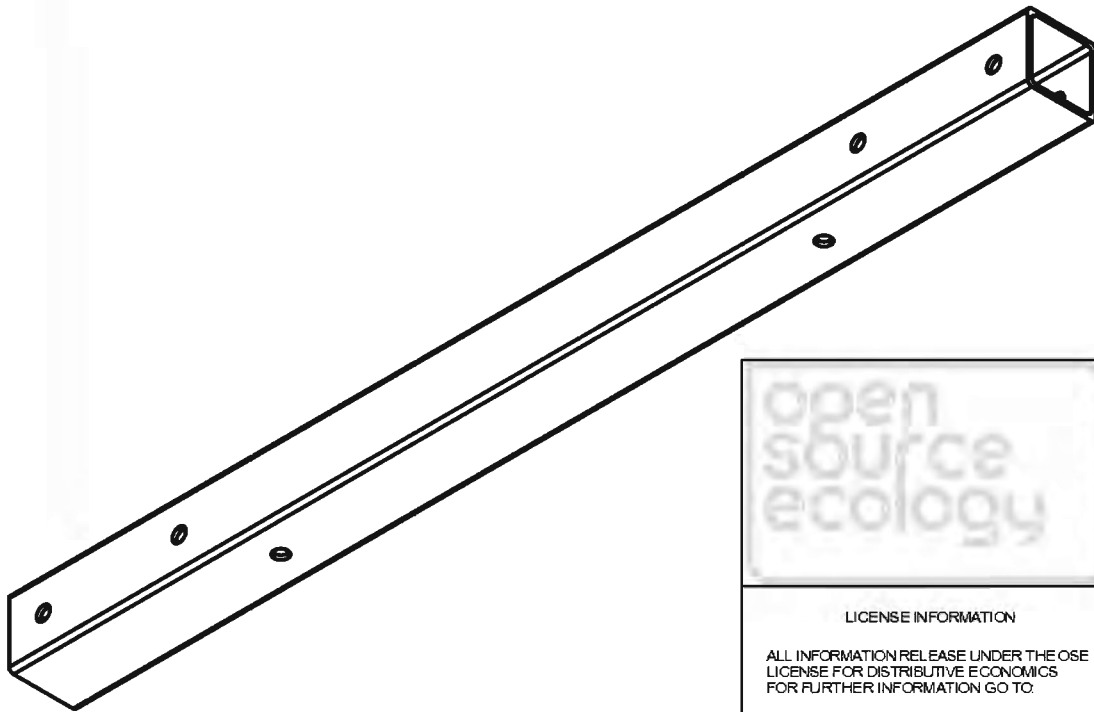
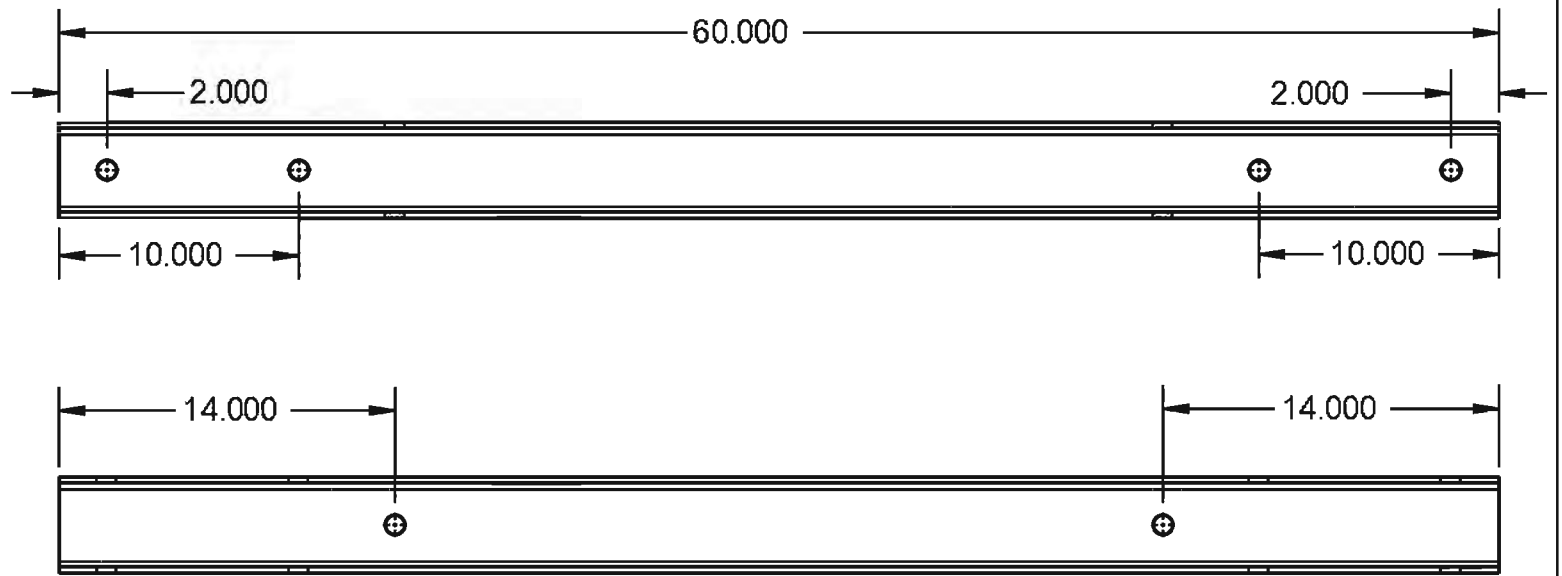
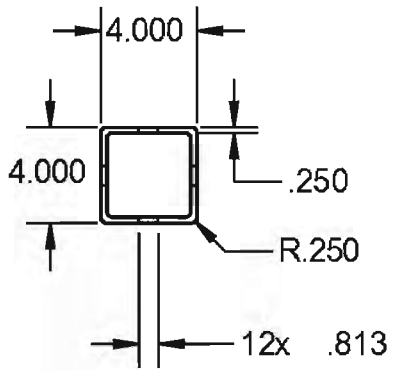
PROJECT:
 LIFE TRAC III

TITLE
 59 INCH REAR-
 VERTICAL TUBE

SIZE A	DWG. NO. PART NUMBER	REV
------------------	-------------------------	-----

SCALE: 1:12 WEIGHT: SHEET 1 OF 1

5 4 3 2 1

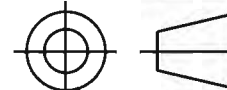


LICENSE INFORMATION

ALL INFORMATION RELEASE UNDER THE OSE
LICENSE FOR DISTRIBUTIVE ECONOMICS
FOR FURTHER INFORMATION GO TO:

OPENSOURCEECOLOGY.ORG/WIKI/LICENSE

	NAME	DATE
DRAWN	F. Anzaldua	3/28/12
CHECKED		
APPR.		
UNLESS OTHERWISE SPECIFIED DIMENSIONS ARE IN INCHES		
ANGLES	.X	.XX
	.5	.5



THIRD ANGLE PROJECTION

PROJECT: LIFE TRAC III		
TITLE 60 INCH UNDER BASE TUBE		
SIZE A	DWG. NO. PART NUMBER	REV
SCALE: 1:8	WEIGHT:	SHEET 1 OF 1

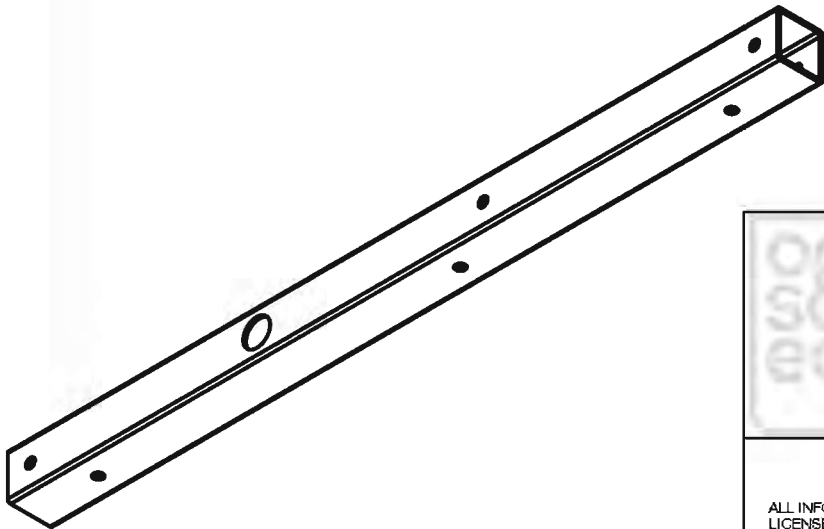
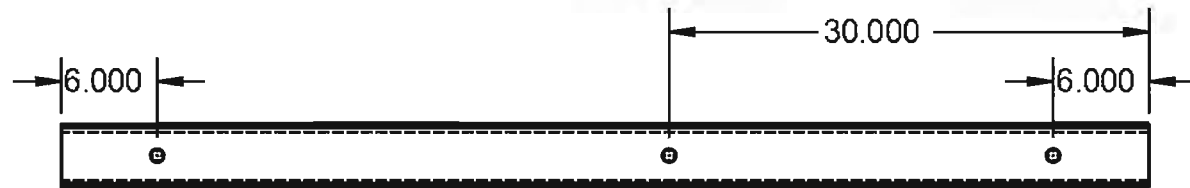
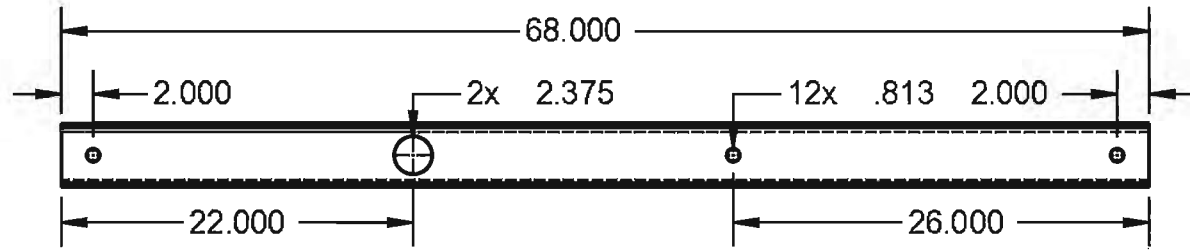
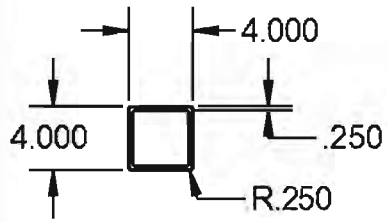
5

4

3

2

1



LICENSE INFORMATION
 ALL INFORMATION RELEASE UNDER THE OSE
 LICENSE FOR DISTRIBUTIVE ECONOMICS
 FOR FURTHER INFORMATION GO TO:
 OPENSOURCEECOLOGY.ORG/WIKI/LICENSE

	NAME	DATE
DRAWN	F. Anzaldua	3/28/12
CHECKED		
APPR.		
UNLESS OTHERWISE SPECIFIED DIMENSIONS ARE IN INCHES		
ANGLES	.X	.XX
	.5	.5



THIRD ANGLE PROJECTION

PROJECT:
LIFE TRAC III

TITLE
**68 INCH TOP
N-S TUBE**

SIZE A	DWG. NO. PART NUMBER	REV
------------------	-------------------------	-----

SCALE: 1:12 WEIGHT: SHEET 1 OF 1

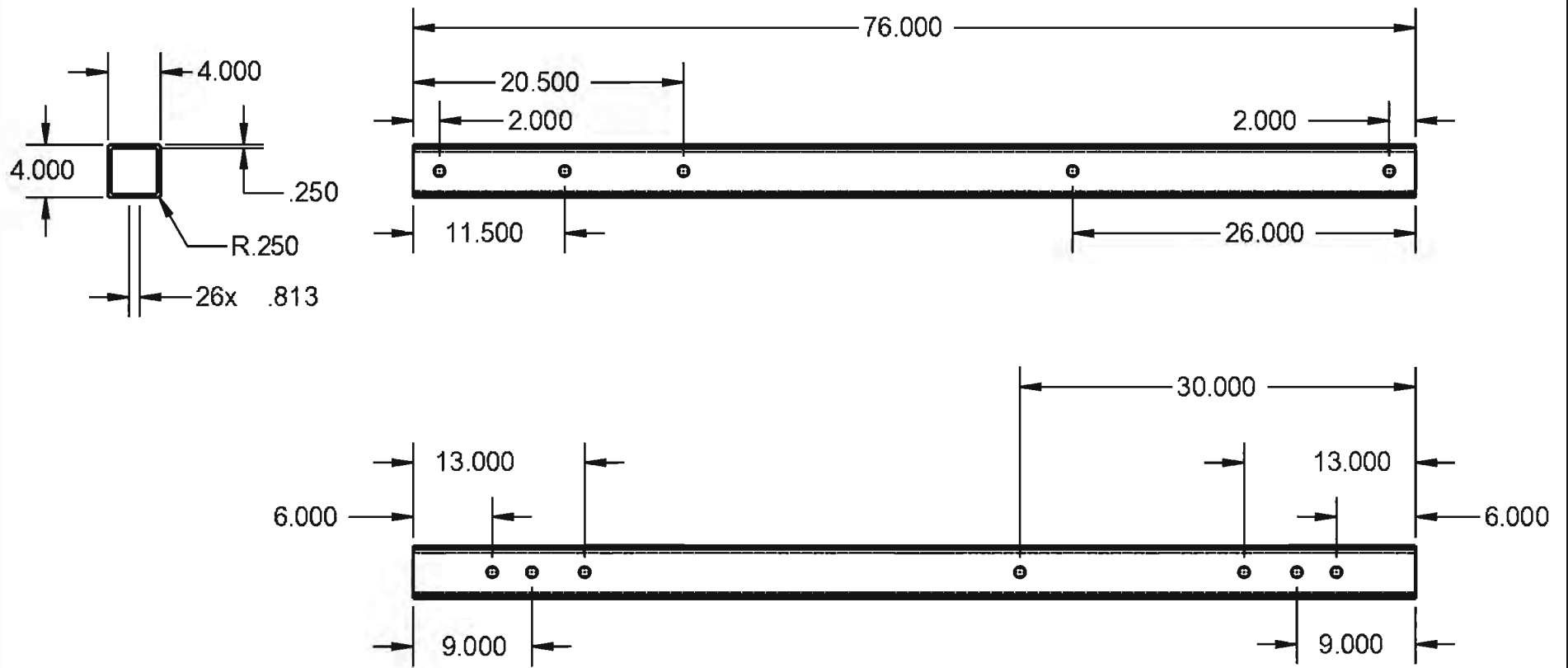
5

4

3

2

1



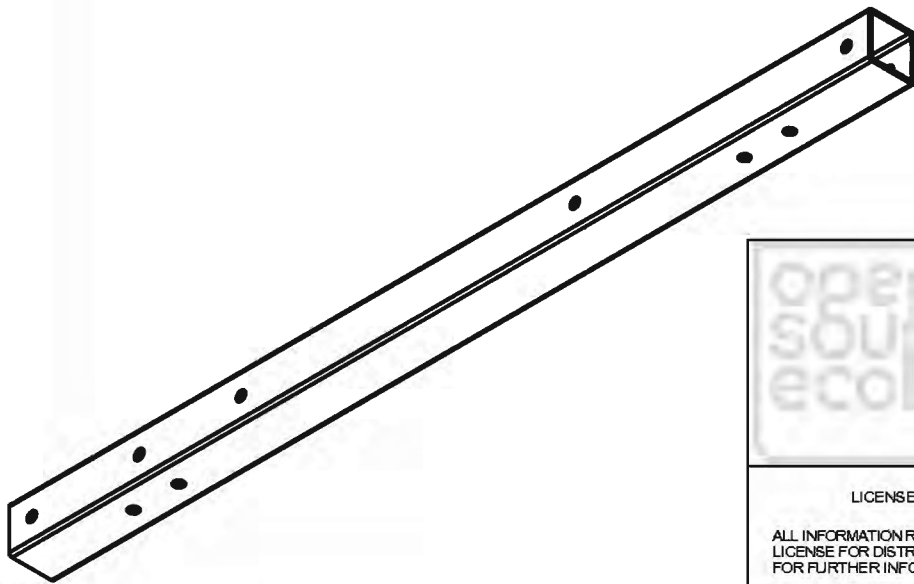
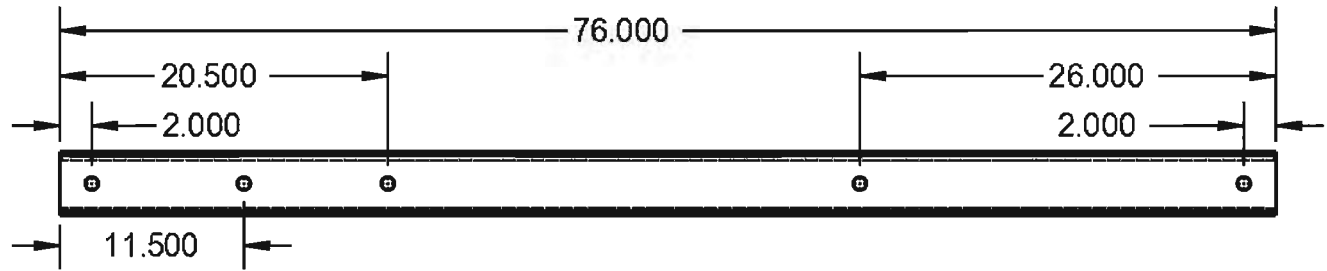
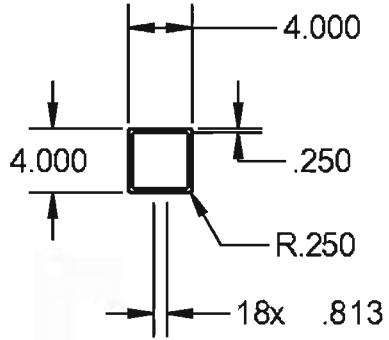
LICENSE INFORMATION
 ALL INFORMATION RELEASE UNDER THE OSE
 LICENSE FOR DISTRIBUTIVE ECONOMICS
 FOR FURTHER INFORMATION GO TO:
 OPENSOURCEECOLOGY.ORG/WIKI/LICENSE

	NAME	DATE
DRAWN	F. Anzaldua	3/28/12
CHECKED		
APPR.		
UNLESS OTHERWISE SPECIFIED DIMENSIONS ARE IN INCHES		
ANGLES	.X	.XX
	.5	.5



PROJECT:		LIFE TRAC III
TITLE		76 INCH INNER BASE TUBE
SIZE	DWG. NO.	REV
A	PART NUMBER	
SCALE: 1:12	WEIGHT:	SHEET 1 OF 1

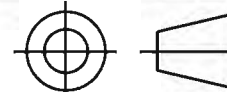
5 4 3 2 1



LICENSE INFORMATION

ALL INFORMATION RELEASE UNDER THE OSE
LICENSE FOR DISTRIBUTIVE ECONOMICS
FOR FURTHER INFORMATION GO TO:
OPENSOURCEECOLOGY.ORG/WIKI/LICENSE

	NAME	DATE
DRAWN	F. Anzaldua	3/28/12
CHECKED		
APPR.		
UNLESS OTHERWISE SPECIFIED DIMENSIONS ARE IN INCHES		
ANGLES	.X	.XX
	.5	.5



THIRD ANGLE PROJECTION

PROJECT:		LIFE TRAC III
TITLE		76 INCH OUTER BASE TUBE
SIZE	DWG. NO.	REV
A	PART NUMBER	
SCALE: 1:12	WEIGHT:	SHEET 1 OF 1

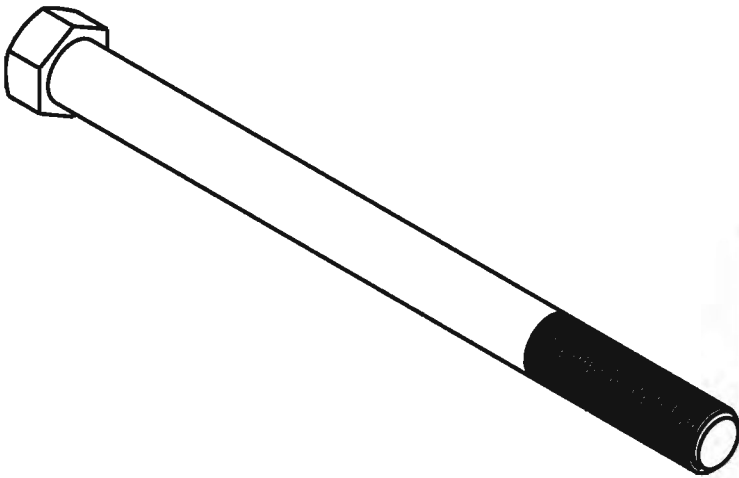
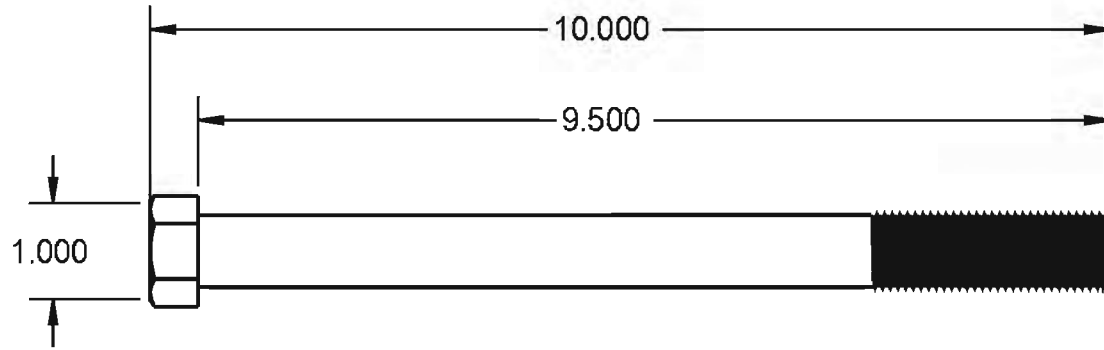
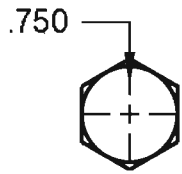
5

4

3

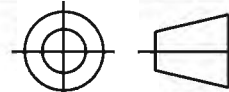
2

1



LICENSE INFORMATION
 ALL INFORMATION RELEASE UNDER THE OSE
 LICENSE FOR DISTRIBUTIVE ECONOMICS
 FOR FURTHER INFORMATION GO TO:
 OPENSOURCEECOLOGY.ORG/WIKI/LICENSE

	NAME	DATE
DRAWN	F. Anzaldua	3/28/12
CHECKED		
APPR.		
UNLESS OTHERWISE SPECIFIED DIMENSIONS ARE IN INCHES		
ANGLES	.X	.XX
	.5	.5



THIRD ANGLE PROJECTION

PROJECT:
LIFE TRAC III

TITLE
9.5 INCH BOLT

SIZE	DWG. NO.	REV
A	PART NUMBER	

SCALE: 1:2	WEIGHT:	SHEET 1 OF 1
------------	---------	--------------

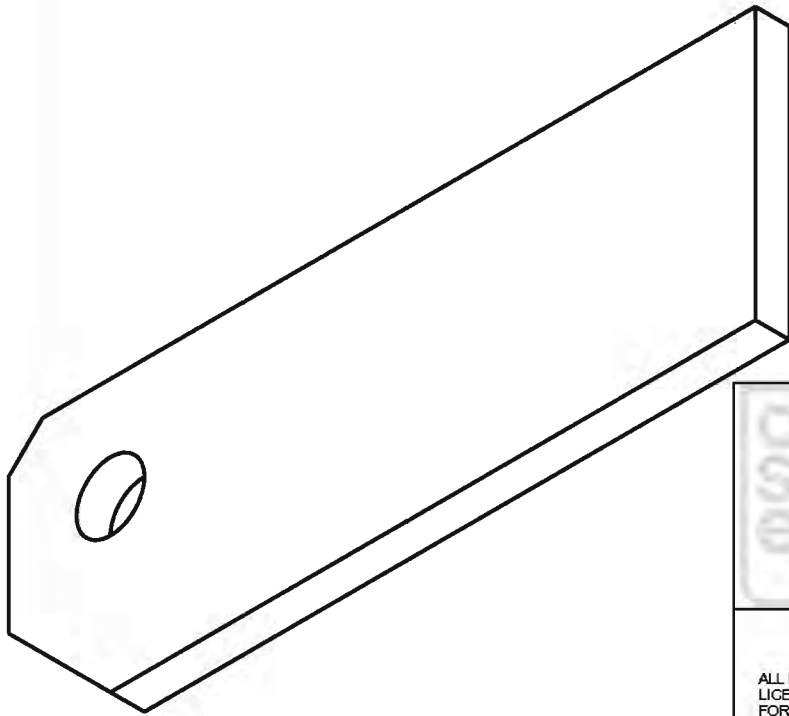
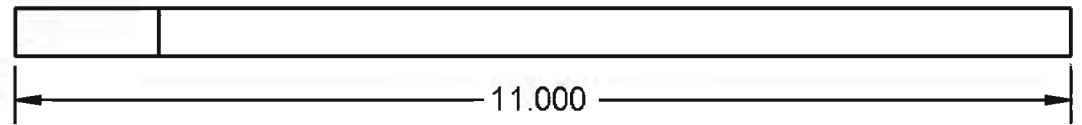
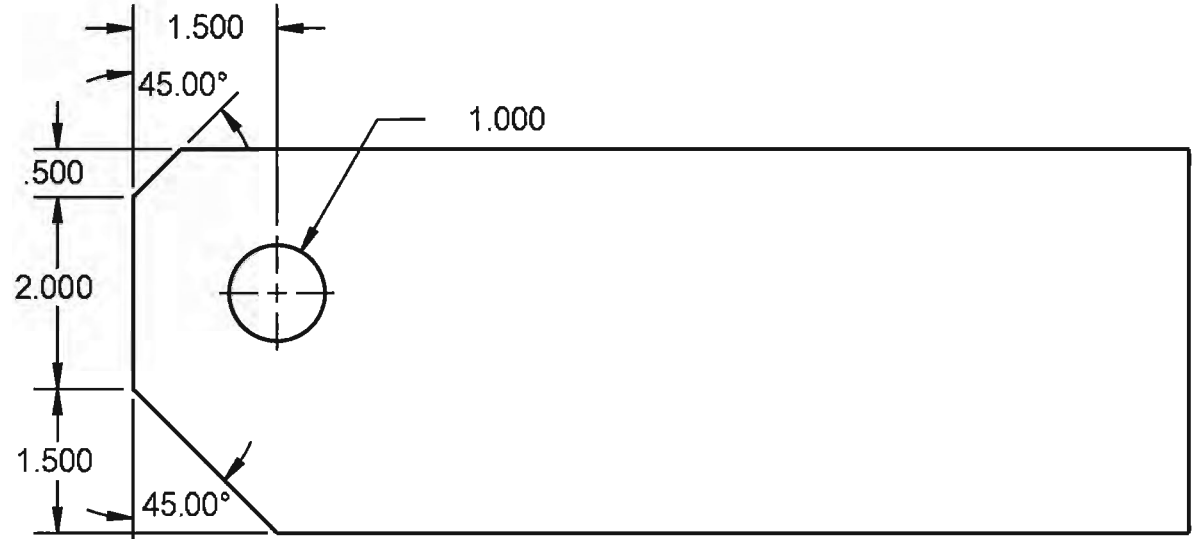
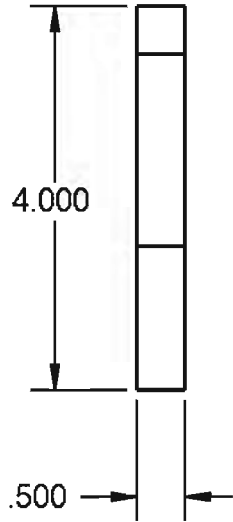
5

4

3

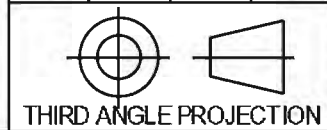
2

1



LICENSE INFORMATION
ALL INFORMATION RELEASE UNDER THE OSE
LICENSE FOR DISTRIBUTIVE ECONOMICS
FOR FURTHER INFORMATION GO TO:
OPENSOURCEECOLOGY.ORG/WIKI/LICENSE

	NAME	DATE
DRAWN	F. Anzaldua	3/28/12
CHECKED		
APPR.		
UNLESS OTHERWISE SPECIFIED DIMENSIONS ARE IN INCHES		
ANGLES	.X	.XX
	.5	.5



PROJECT: LIFE TRAC III		
TITLE ADAPTER PLATE		
SIZE A	DWG. NO. PART NUMBER	REV
SCALE: 1:2	WEIGHT:	SHEET 1 OF 1

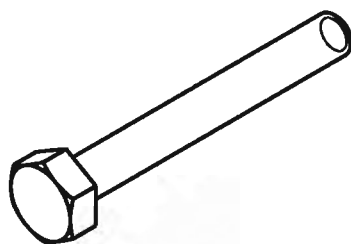
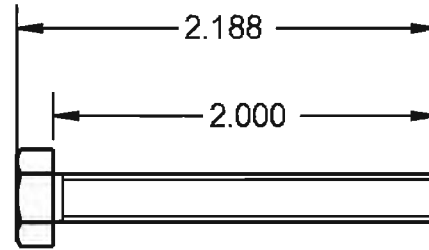
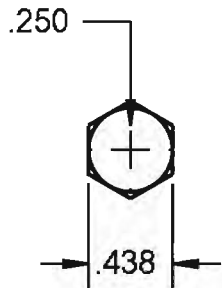
5

4

3

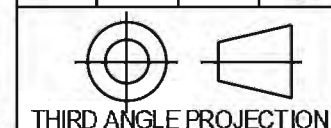
2

1



LICENSE INFORMATION
 ALL INFORMATION RELEASE UNDER THE OSE
 LICENSE FOR DISTRIBUTIVE ECONOMICS
 FOR FURTHER INFORMATION GO TO:
 OPENSOURCEECOLOGY.ORG/WIKI/LICENSE

	NAME	DATE
DRAWN	F. Anzaldua	3/28/12
CHECKED		
APPR		
UNLESS OTHERWISE SPECIFIED DIMENSIONS ARE IN INCHES		
ANGLES	.X	.XX
	.5	.5



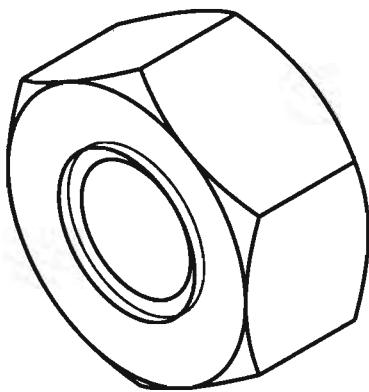
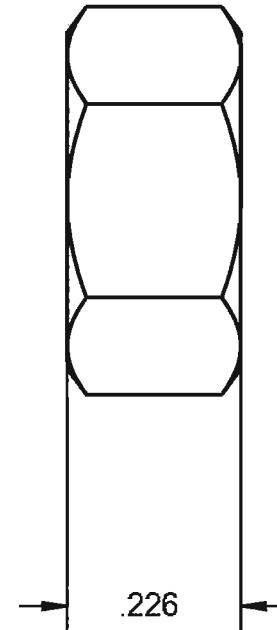
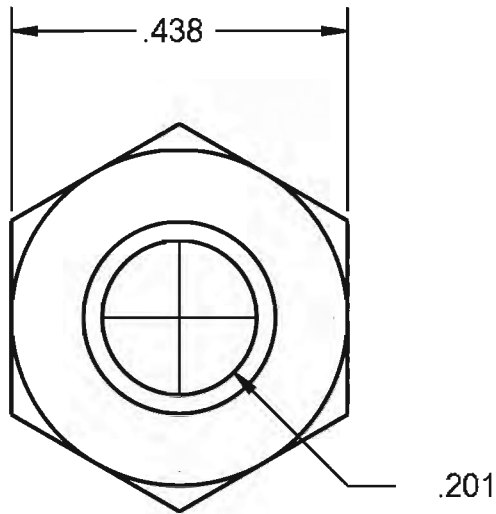
THIRD ANGLE PROJECTION

PROJECT:	LIFE TRAC III
TITLE:	HEX BOLT_AI

SIZE	DWG. NO.	REV
A	PART NUMBER	

SCALE: 1:1	WEIGHT:	SHEET 1 OF 1
------------	---------	--------------

5 4 3 2 1



LICENSE INFORMATION
 ALL INFORMATION RELEASE UNDER THE OSE
 LICENSE FOR DISTRIBUTIVE ECONOMICS
 FOR FURTHER INFORMATION GO TO:
 OPENSOURCEECOLOGY.ORG/WIKI/LICENSE

	NAME	DATE
DRAWN	F. Anzaldua	3/28/12
CHECKED		
APPR.		
UNLESS OTHERWISE SPECIFIED DIMENSIONS ARE IN INCHES		
ANGLES	.X	.XX
	.5	.5



PROJECT: LIFE TRAC III		
TITLE HEX NUT_AI		
SIZE A	DWG. NO. PART NUMBER	REV
SCALE: 4:1	WEIGHT:	SHEET 1 OF 1

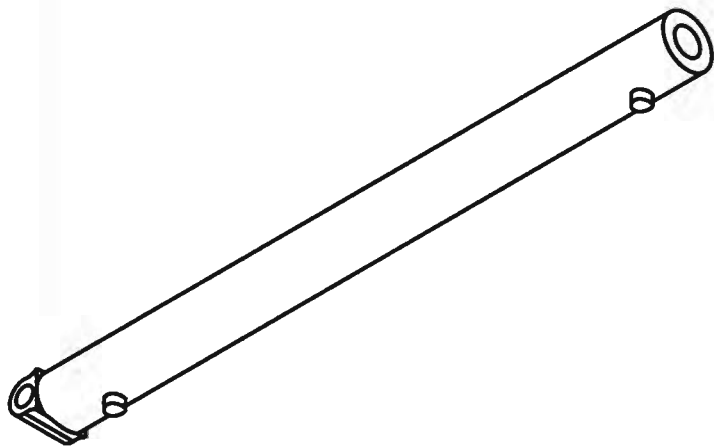
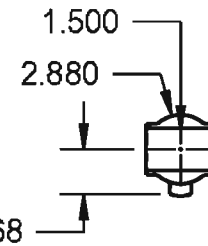
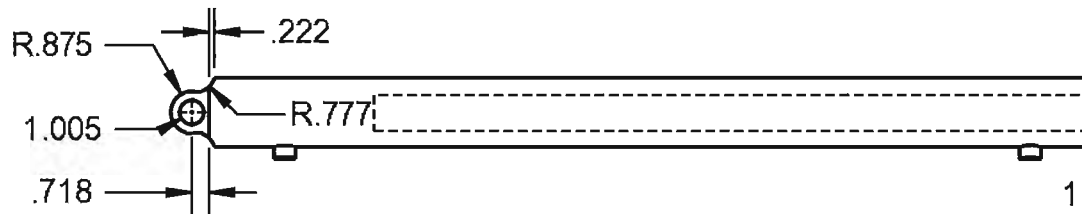
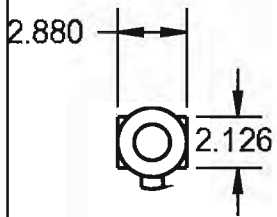
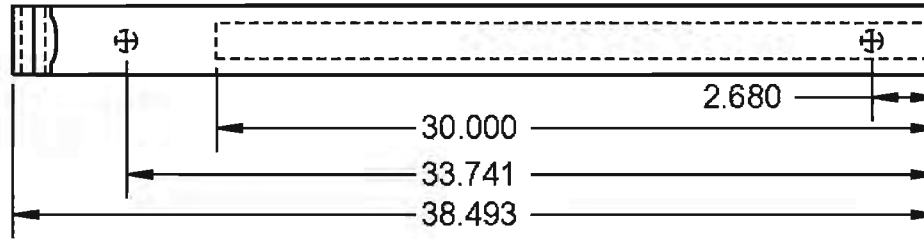
5

4

3

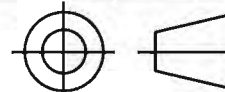
2

1



LICENSE INFORMATION
 ALL INFORMATION RELEASE UNDER THE OSE
 LICENSE FOR DISTRIBUTIVE ECONOMICS
 FOR FURTHER INFORMATION GO TO:
 OPENSOURCEECOLOGY.ORG/WIKI/LICENSE

	NAME	DATE
DRAWN	F. Anzaldua	3/28/12
CHECKED		
APPR.		
UNLESS OTHERWISE SPECIFIED DIMENSIONS ARE IN INCHES		
ANGLES	.X	.XX
	.5	.5



THIRD ANGLE PROJECTION

PROJECT:
LIFE TRAC III

TITLE
**2.5X30X1.25
DA HYD CYL**

SIZE A	DWG. NO. PART NUMBER	REV
------------------	-------------------------	-----

SCALE: 1:8	WEIGHT:	SHEET 1 OF 1
------------	---------	--------------

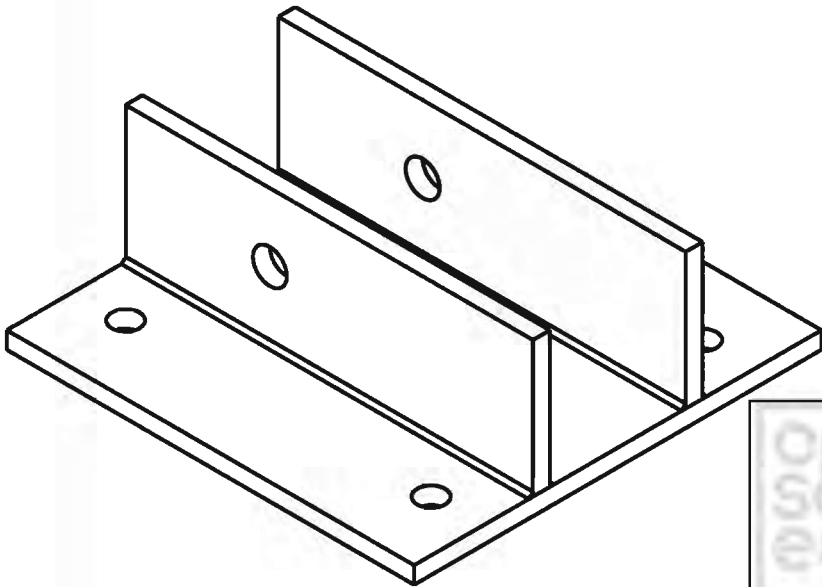
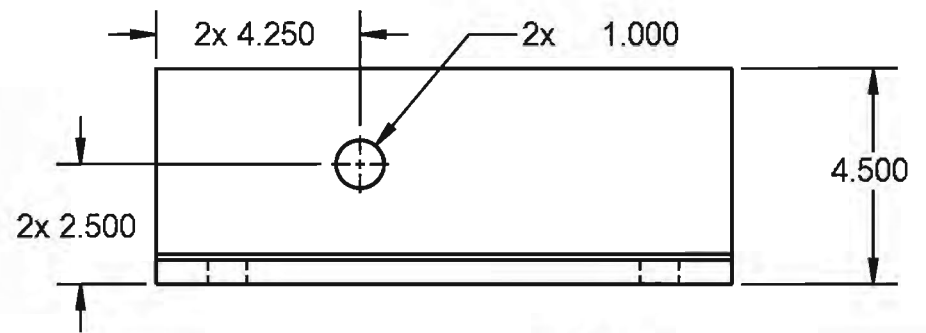
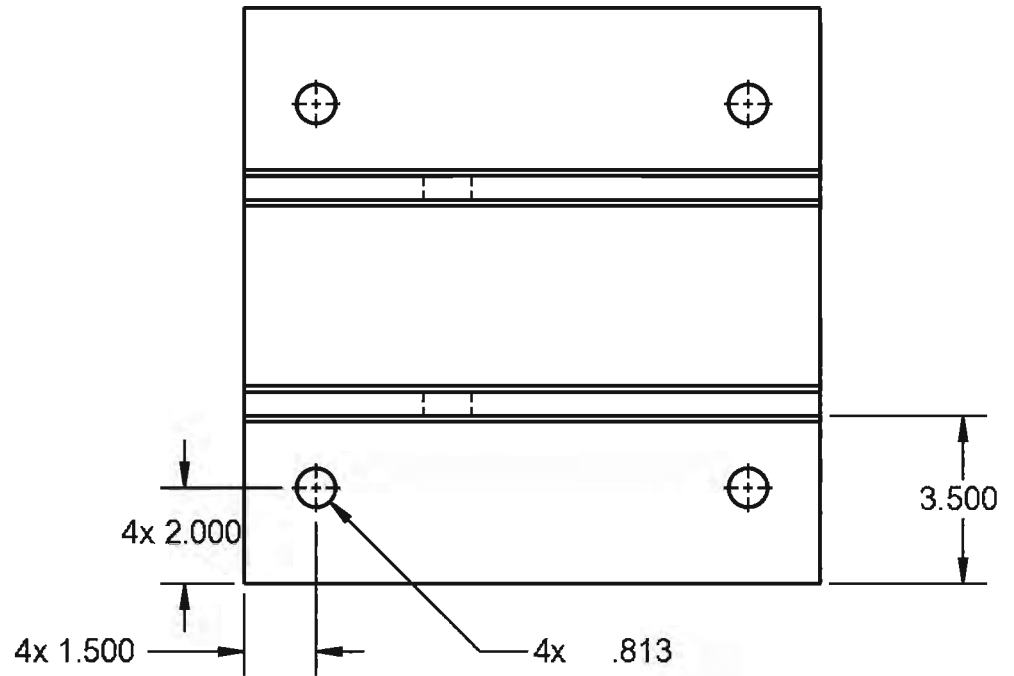
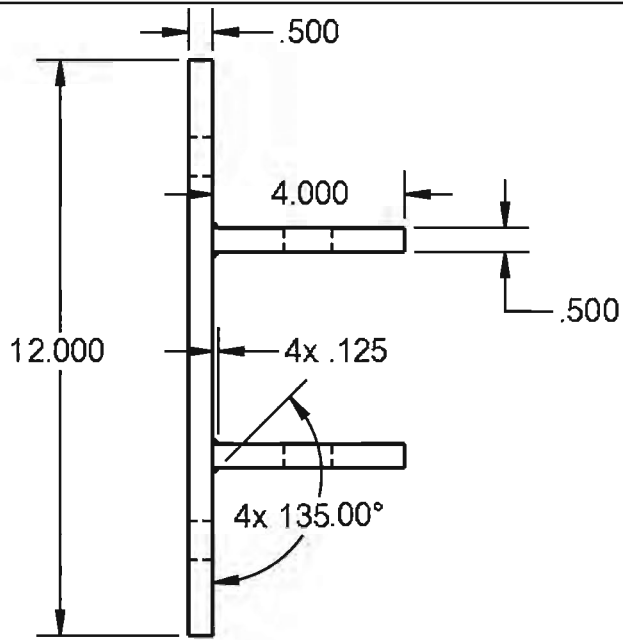
5

4

3

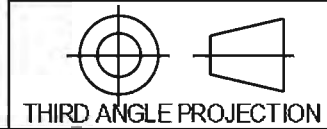
2

1



LICENSE INFORMATION
 ALL INFORMATION RELEASE UNDER THE OSE
 LICENSE FOR DISTRIBUTIVE ECONOMICS
 FOR FURTHER INFORMATION GO TO:
 OPENSOURCEECOLOGY.ORG/WIKI/LICENSE

	NAME	DATE
DRAWN	F. Anzaldua	3/28/12
CHECKED		
APPR.		
UNLESS OTHERWISE SPECIFIED DIMENSIONS ARE IN INCHES		
ANGLES	.X	.XX
	.5	.5



PROJECT: LIFE TRAC III		
TITLE HYDRAULIC CYLINDER BASE MOUNT		
SIZE A	DWG. NO. PART NUMBER	REV
SCALE: 1:4	WEIGHT:	SHEET 1 OF 1

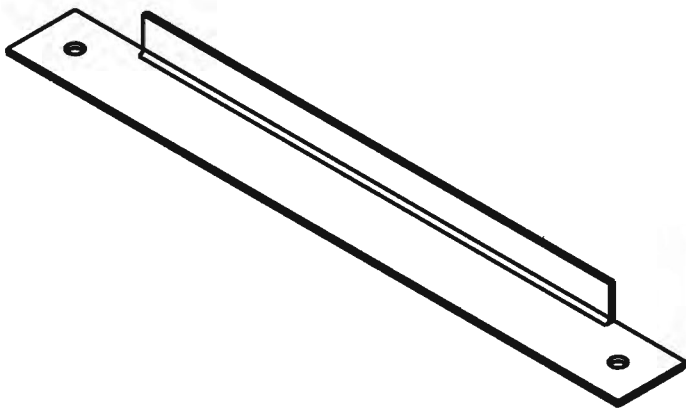
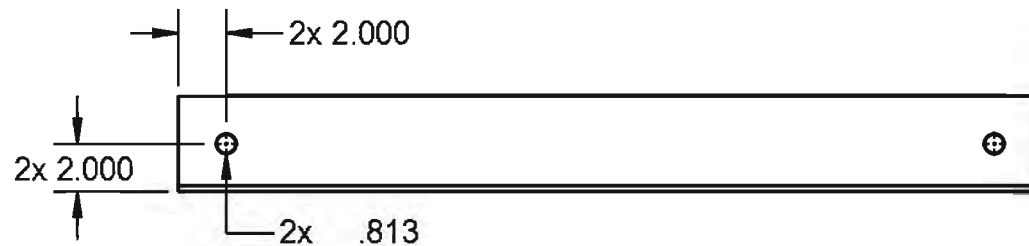
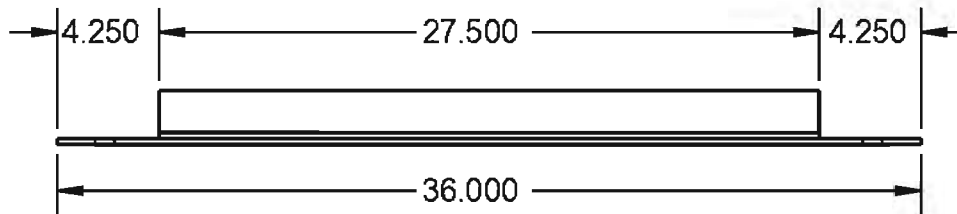
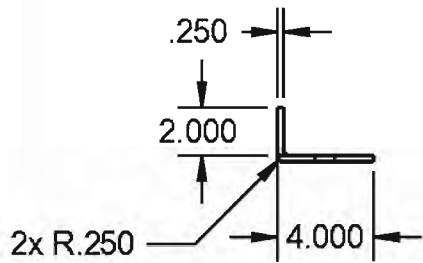
5

4

3

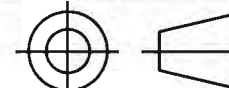
2

1



LICENSE INFORMATION
 ALL INFORMATION RELEASE UNDER THE OSE
 LICENSE FOR DISTRIBUTIVE ECONOMICS
 FOR FURTHER INFORMATION GO TO:
 OPENSOURCEECOLOGY.ORG/WIKI/LICENSE

	NAME	DATE
DRAWN	F. Anzaldua	3/28/12
CHECKED		
APPR.		
UNLESS OTHERWISE SPECIFIED DIMENSIONS ARE IN INCHES		
ANGLES	.X	.XX
	.5	.5



THIRD ANGLE PROJECTION

PROJECT: LIFE TRAC III		
TITLE HYDRAULIC VAVLE MOUNT		
SIZE A	DWG. NO. PART NUMBER	REV
SCALE: 1:8	WEIGHT:	SHEET 1 OF 1

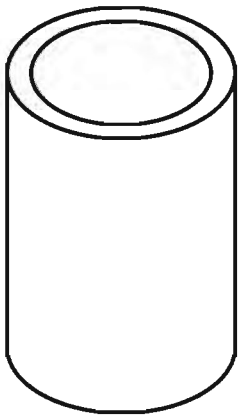
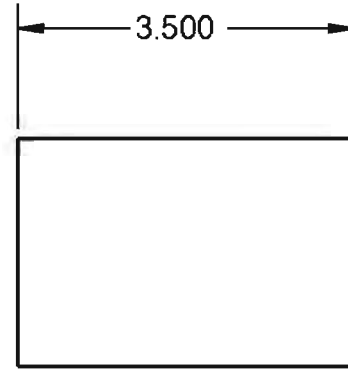
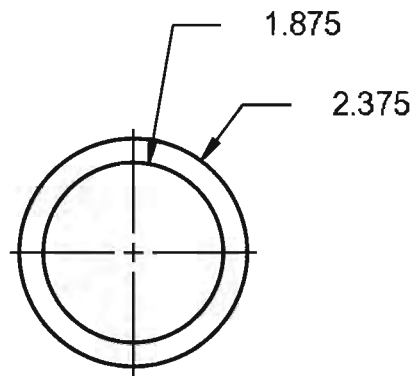
5

4

3

2

1

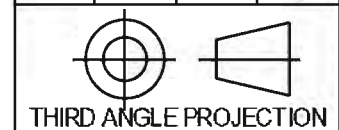


LICENSE INFORMATION
 ALL INFORMATION RELEASE UNDER THE OSE
 LICENSE FOR DISTRIBUTIVE ECONOMICS
 FOR FURTHER INFORMATION GO TO:
OPENSOURCEECOLOGY.ORG/WIKI/LICENSE

	NAME	DATE
DRAWN	F. Anzaldua	3/28/12
CHECKED		
APPR.		
UNLESS OTHERWISE SPECIFIED DIMENSIONS ARE IN INCHES		
ANGLES	.X	.XX
	.5	.5

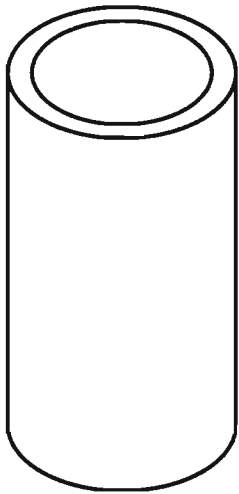
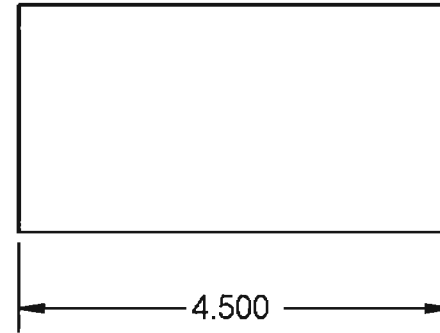
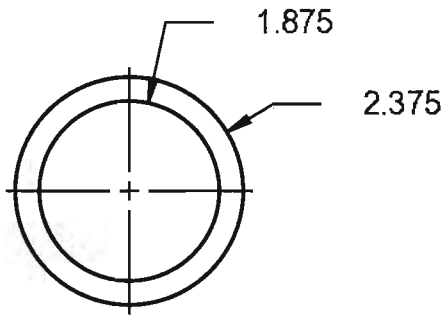
PROJECT:
 LIFE TRAC III

TITLE
**LOADER ARM 3.5 INCH
 SUPPORT ROUND**



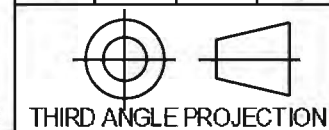
SIZE	DWG. NO.	REV
A	PART NUMBER	

SCALE: 1:2	WEIGHT:	SHEET 1 OF 1
------------	---------	--------------



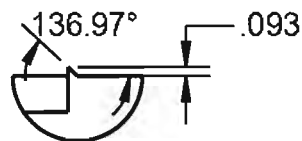
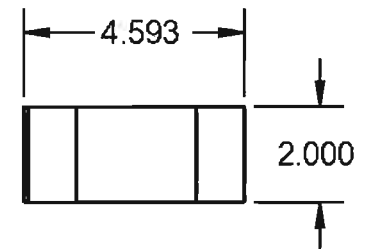
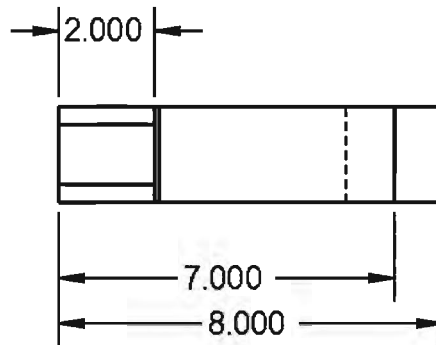
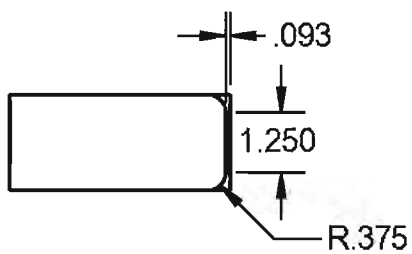
LICENSE INFORMATION
 ALL INFORMATION RELEASE UNDER THE OSE
 LICENSE FOR DISTRIBUTIVE ECONOMICS
 FOR FURTHER INFORMATION GO TO:
 OPENSOURCEECOLOGY.ORG/WIKI/LICENSE

	NAME	DATE
DRAWN	F. Anzaldua	3/28/12
CHECKED		
APPR.		
UNLESS OTHERWISE SPECIFIED DIMENSIONS ARE IN INCHES		
ANGLES	.X	.XX
	.5	.5

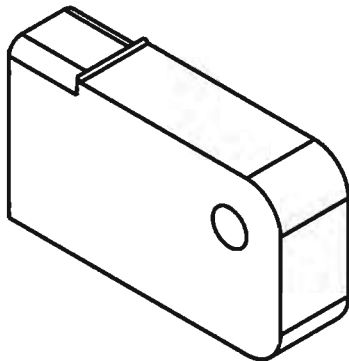
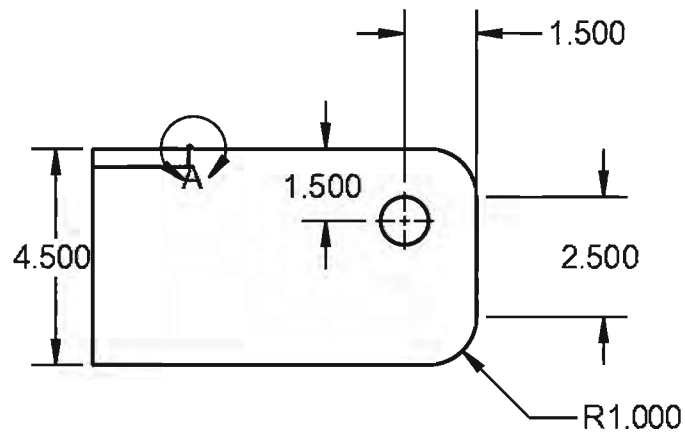


PROJECT: LIFE TRAC III		
TITLE LOADER ARM 4.5 INCH SUPPORT ROUND		
SIZE A	DWG. NO. PART NUMBER	REV
SCALE: 1:2	WEIGHT:	SHEET 1 OF 1

5 4 3 2 1

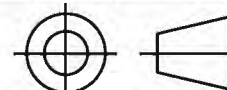


DETAIL A
SCALE 1 : 2



LICENSE INFORMATION
ALL INFORMATION RELEASE UNDER THE OSE
LICENSE FOR DISTRIBUTIVE ECONOMICS
FOR FURTHER INFORMATION GO TO:
OPENSOURCEECOLOGY.ORG/GMIKI/LICENSE

	NAME	DATE
DRAWN	F. Anzaldua	3/28/12
CHECKED		
APPR		
UNLESS OTHERWISE SPECIFIED DIMENSIONS ARE IN INCHES		
ANGLES	.X	.XX
	.5	.5



THIRD ANGLE PROJECTION

PROJECT: LIFE TRAC III		
TITLE LOADER ARM ENDLUMP		
SIZE A	DWG. NO. PART NUMBER	REV
SCALE: 1:4	WEIGHT:	SHEET 1 OF 1

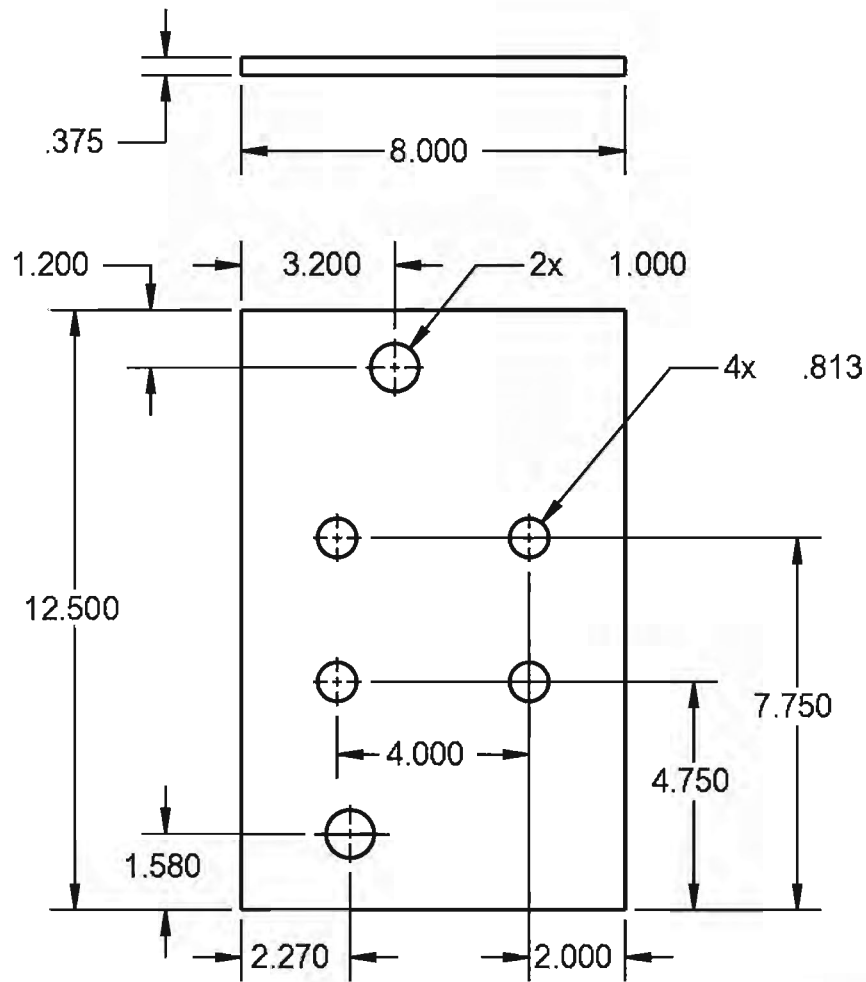
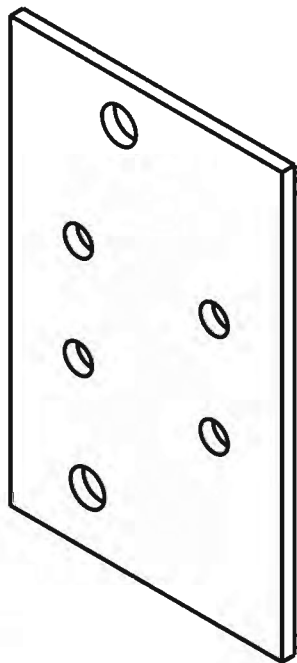
5

4

3

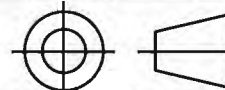
2

1



LICENSE INFORMATION
 ALL INFORMATION RELEASE UNDER THE OSE
 LICENSE FOR DISTRIBUTIVE ECONOMICS
 FOR FURTHER INFORMATION GO TO:
 OPENSOURCEECOLOGY.ORG/WIKI/LICENSE

	NAME	DATE
DRAWN	F. Anzaldua	3/28/12
CHECKED		
APPR		
UNLESS OTHERWISE SPECIFIED DIMENSIONS ARE IN INCHES		
ANGLES	.X	.XX .XXX
	.5	.5 .5



THIRD ANGLE PROJECTION

PROJECT:		LIFE TRAC III
TITLE		LOADER ARM HYDRAULIC MOUNT PLATE
SIZE	DWG. NO.	REV
A	PART NUMBER	
SCALE: 1:4	WEIGHT:	SHEET 1 OF 1

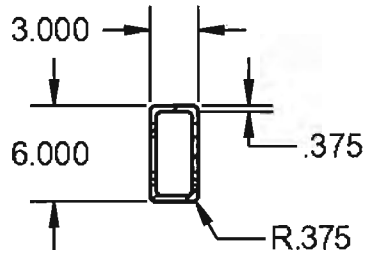
5

4

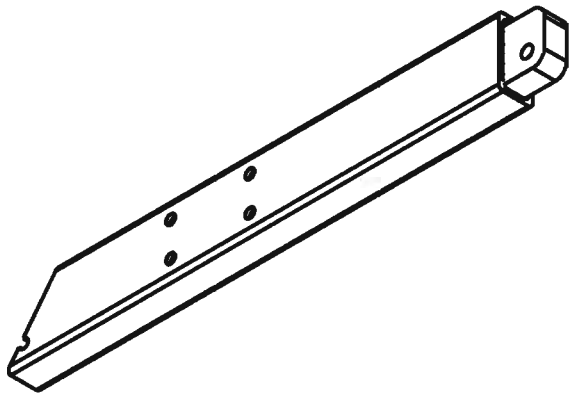
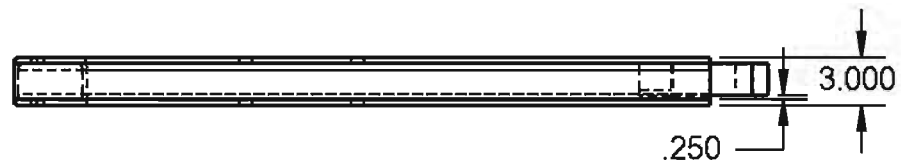
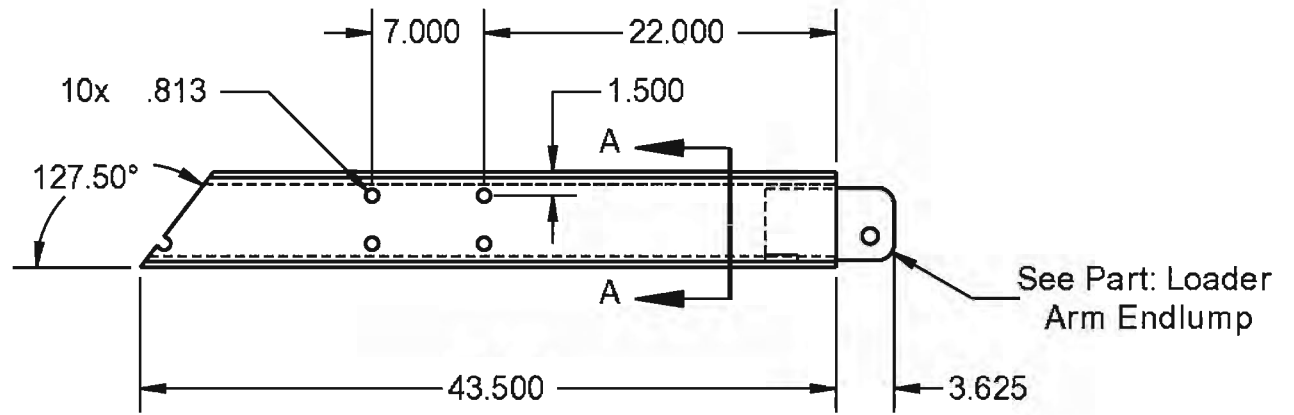
3

2

1

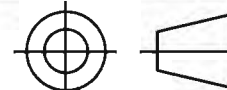


SECTION A-A



LICENSE INFORMATION
 ALL INFORMATION RELEASE UNDER THE OSE
 LICENSE FOR DISTRIBUTIVE ECONOMICS
 FOR FURTHER INFORMATION GO TO:
 OPENSOURCEECOLOGY.ORG/WIKI/LICENSE

	NAME	DATE
DRAWN	F. Anzaldua	3/28/12
CHECKED		
APPR.		
UNLESS OTHERWISE SPECIFIED DIMENSIONS ARE IN INCHES		
ANGLES	.X	.XX
	.5	.5



THIRD ANGLE PROJECTION

PROJECT: LIFE TRAC III		
TITLE LOADER ARM LOWER		
SIZE A	DWG. NO. PART NUMBER	REV
SCALE: 1:12	WEIGHT:	SHEET 1 OF 1

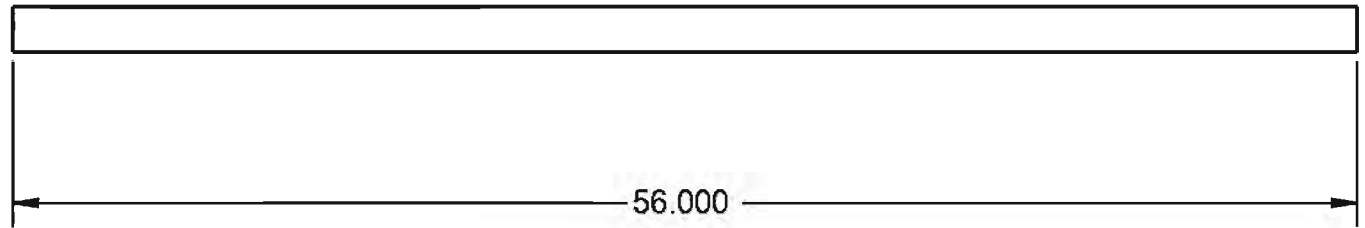
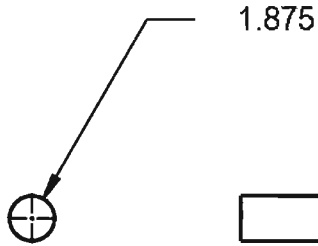
5

4

3

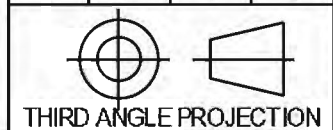
2

1



LICENSE INFORMATION
ALL INFORMATION RELEASE UNDER THE OSE
LICENSE FOR DISTRIBUTIVE ECONOMICS
FOR FURTHER INFORMATION GO TO:
OPENSOURCEECOLOGY.ORG/WIKI/LICENSE

	NAME	DATE	
DRAWN	F. Anzaldua	3/28/12	
CHECKED			
APPR			
UNLESS OTHERWISE SPECIFIED DIMENSIONS ARE IN INCHES			
ANGLES	.X	.XX	.XXX
	.5	.5	.5



PROJECT: LIFE TRAC III		
TITLE LOADER ARM SHAFT		
SIZE A	DWG. NO. PART NUMBER	REV
SCALE: 1:8	WEIGHT:	SHEET 1 OF 1

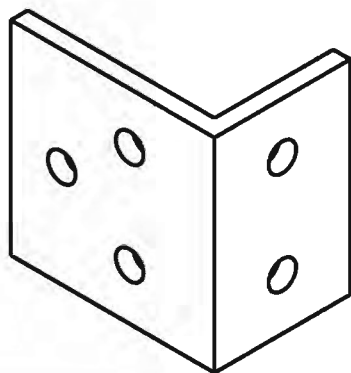
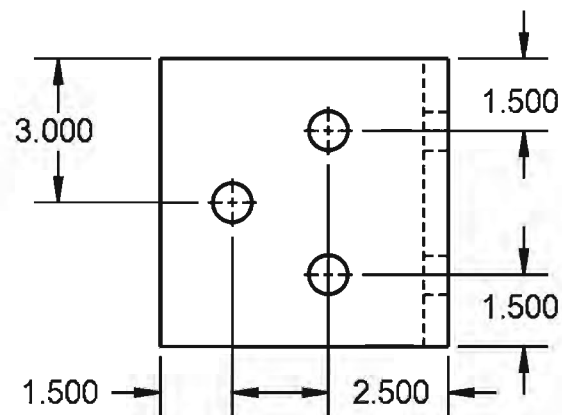
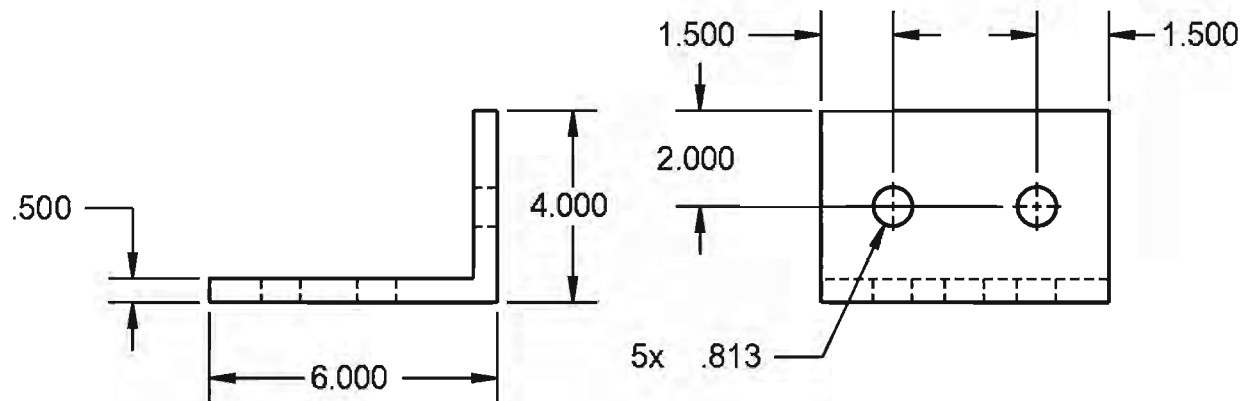
5

4

3

2

1



		NAME	DATE	PROJECT:	
		DRAWN	F. Anzaldua	3/28/12	LIFE TRAC III
		CHECKED		TITLE	
		APPR.		LOADER ARM SUPPORT BEAM ANGLE IRON	
LICENSE INFORMATION ALL INFORMATION RELEASE UNDER THE OSE LICENSE FOR DISTRIBUTIVE ECONOMICS FOR FURTHER INFORMATION GO TO: OPENSOURCEECOLOGY.ORG/WIKI/LICENSE		UNLESS OTHERWISE SPECIFIED DIMENSIONS ARE IN INCHES		SIZE DWG. NO. REV A	
		ANGLES	.X		.XX
		.5	.5	.5	PART NUMBER
				SCALE: 1:4	WEIGHT:

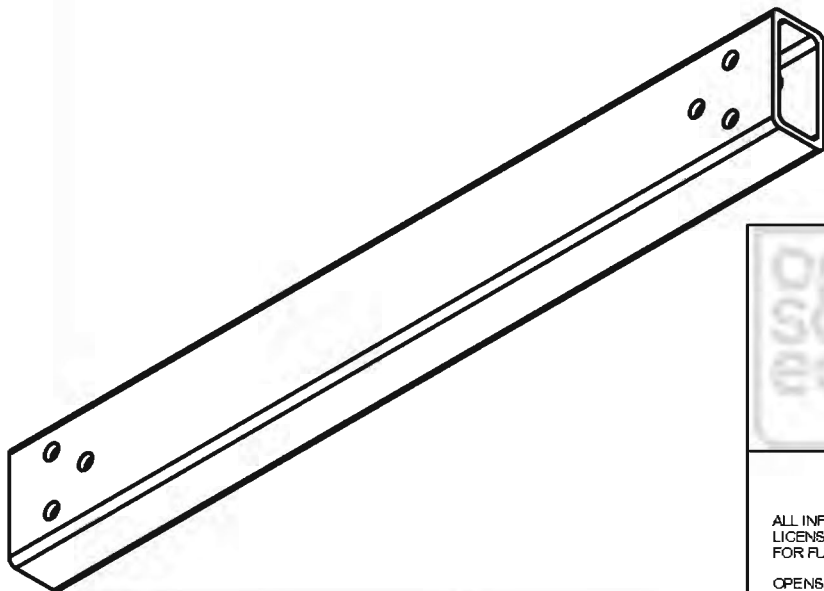
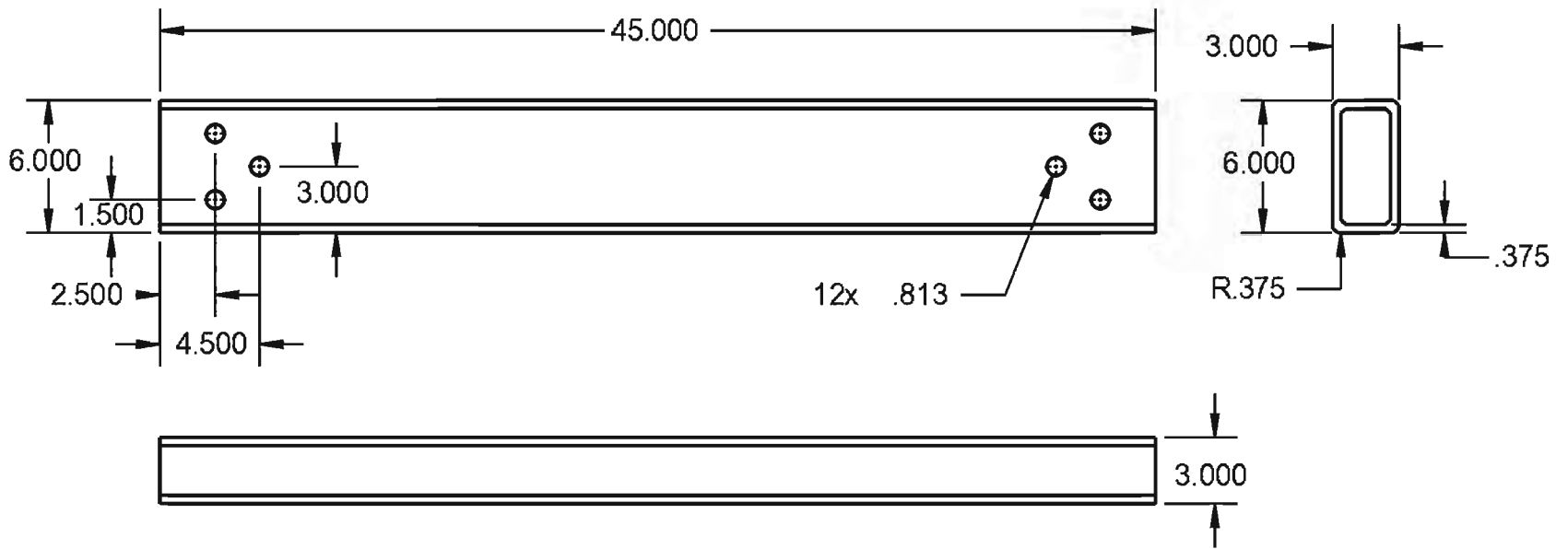
5

4

3

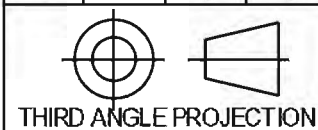
2

1



LICENSE INFORMATION
 ALL INFORMATION RELEASE UNDER THE OSE
 LICENSE FOR DISTRIBUTIVE ECONOMICS
 FOR FURTHER INFORMATION GO TO:
 OPENSOURCEECOLOGY.ORG/WIKI/LICENSE

	NAME	DATE
DRAWN	F. Anzaldua	3/28/12
CHECKED		
APPR.		
UNLESS OTHERWISE SPECIFIED DIMENSIONS ARE IN INCHES		
ANGLES	.X	.XX
	.5	.5



PROJECT: LIFE TRAC III		
TITLE LOADER ARM SUPPORT BEAM		
SIZE A	DWG. NO. PART NUMBER	REV
SCALE: 1:8	WEIGHT:	SHEET 1 OF 1

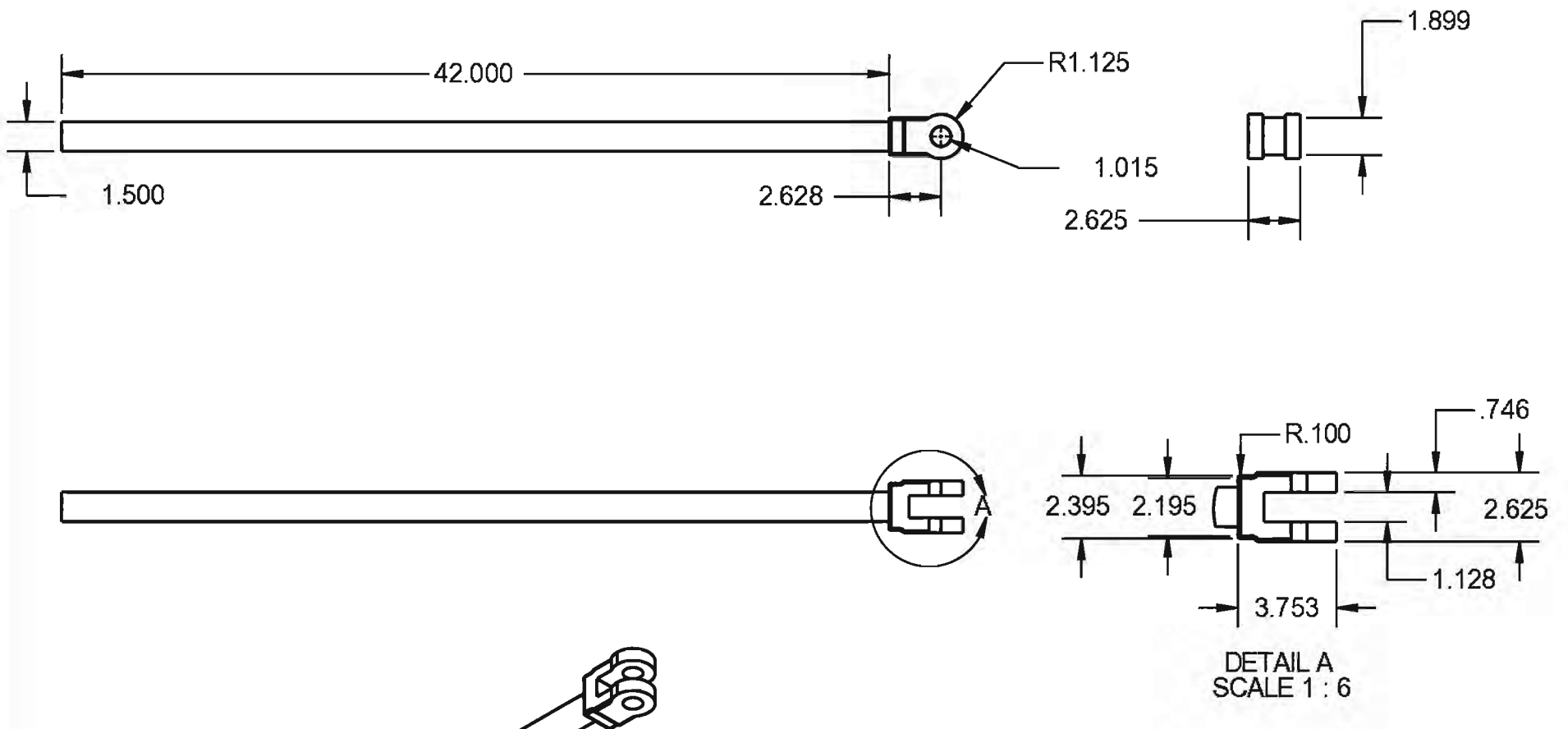
5

4

3

2

1



DETAIL A
SCALE 1 : 6



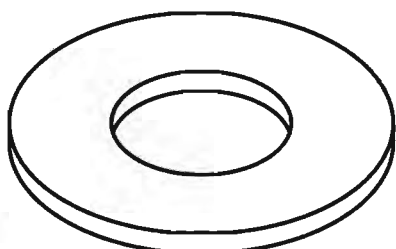
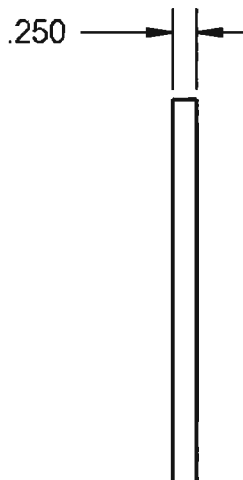
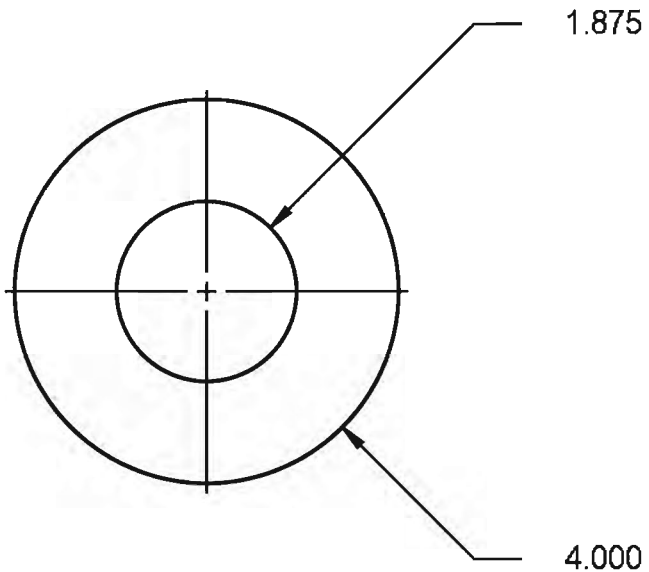
LICENSE INFORMATION
ALL INFORMATION RELEASE UNDER THE OSE
LICENSE FOR DISTRIBUTIVE ECONOMICS
FOR FURTHER INFORMATION GO TO:
OPENSOURCEECOLOGY.ORG/WIKI/LICENSE

	NAME	DATE
DRAWN	F. Anzaldua	3/28/12
CHECKED		
APPR.		
UNLESS OTHERWISE SPECIFIED DIMENSIONS ARE IN INCHES		
ANGLES	.X	.XX
	.5	.5



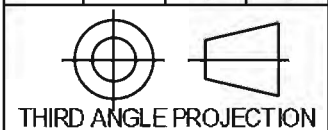
PROJECT: LIFE TRAC III		
TITLE 2.5X36X1.5 DA HYD CYL inner shaft		
SIZE A	DWG. NO. PART NUMBER	REV
SCALE: 1:8	WEIGHT:	SHEET 1 OF 1

5 4 3 2 1



LICENSE INFORMATION
 ALL INFORMATION RELEASE UNDER THE OSE
 LICENSE FOR DISTRIBUTIVE ECONOMICS
 FOR FURTHER INFORMATION GO TO:
 OPENSOURCEECOLOGY.ORG/WIKI/LICENSE

	NAME	DATE
DRAWN	F. Anzaldua	3/28/12
CHECKED		
APPR.		
UNLESS OTHERWISE SPECIFIED DIMENSIONS ARE IN INCHES		
ANGLES	.X	.XX
	.5	.5

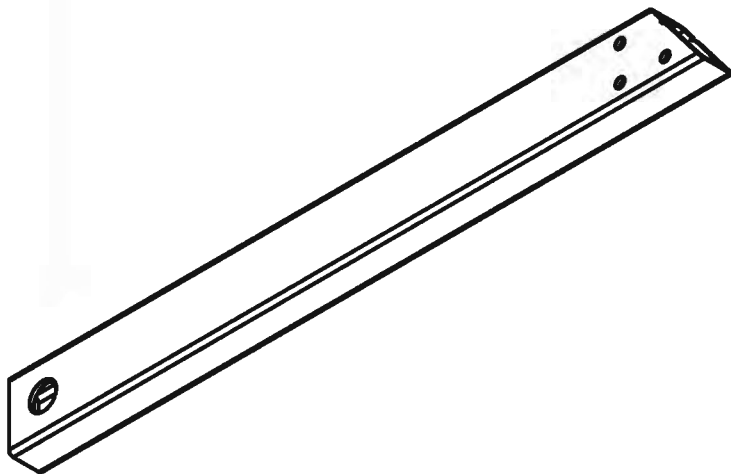
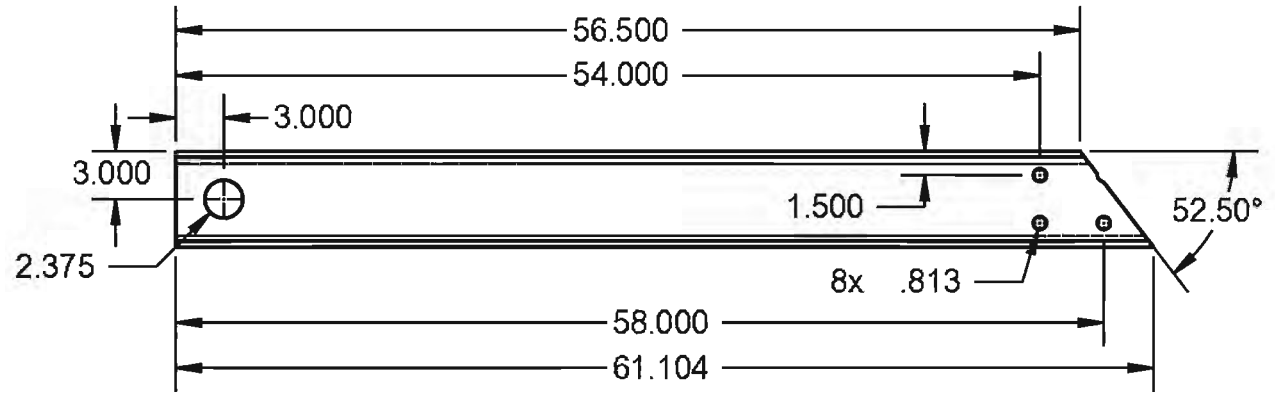
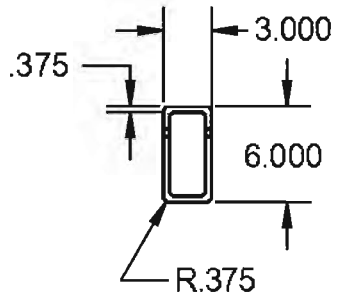


PROJECT:
LIFE TRAC III

TITLE
TITLE

SIZE	DWG. NO.	REV
A	PART NUMBER	

SCALE: 1:2	WEIGHT:	SHEET 1 OF 1
------------	---------	--------------



LICENSE INFORMATION
 ALL INFORMATION RELEASE UNDER THE OSE
 LICENSE FOR DISTRIBUTIVE ECONOMICS
 FOR FURTHER INFORMATION GO TO:
OPENSOURCEECOLOGY.ORG/GMWIKI/LICENSE

	NAME	DATE
DRAWN	F. Anzaldua	3/28/12
CHECKED		
APPR.		
UNLESS OTHERWISE SPECIFIED DIMENSIONS ARE IN INCHES		
ANGLES	.X	.XX
	.5	.5
	.5	.5
THIRD ANGLE PROJECTION		

PROJECT: LIFE TRAC III		
TITLE LOADER ARM UPPER		
SIZE A	DWG. NO. PART NUMBER	REV
SCALE: 1:12	WEIGHT:	SHEET 1 OF 1

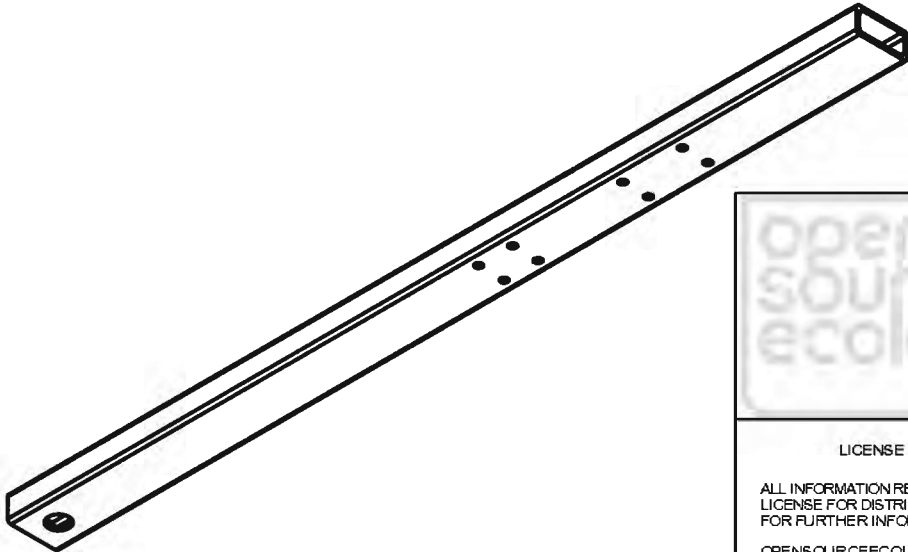
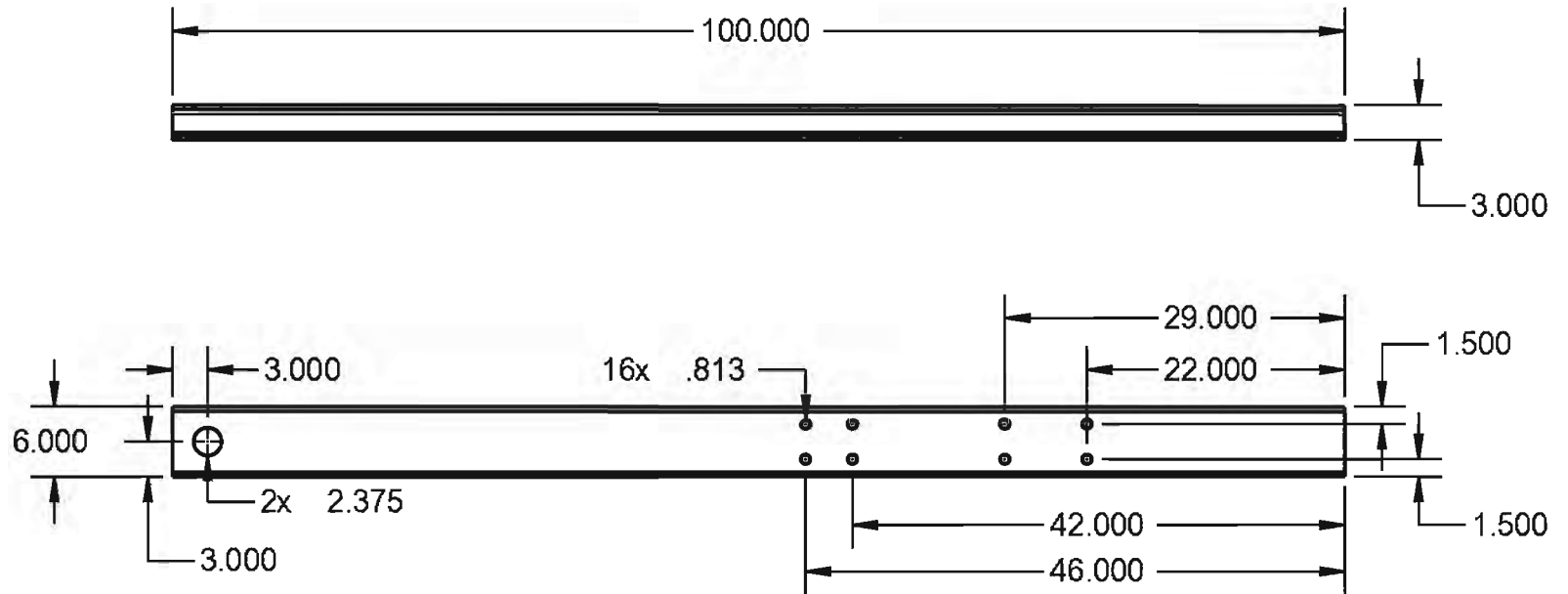
5

4

3

2

1



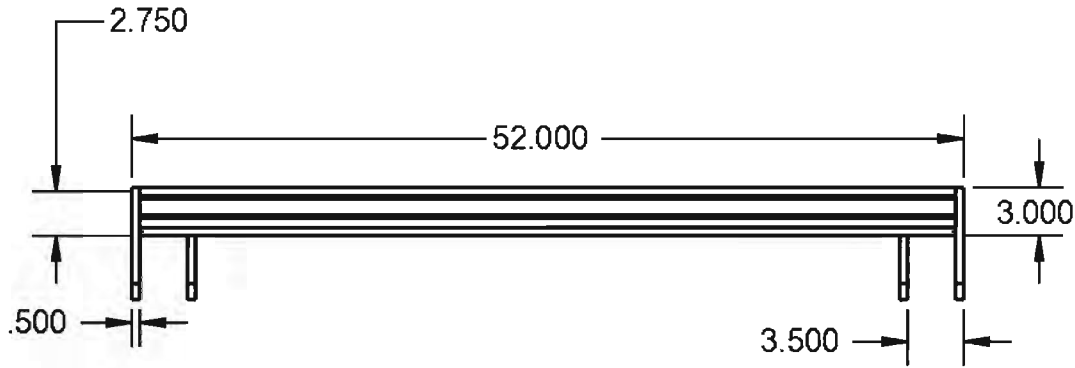
LICENSE INFORMATION
 ALL INFORMATION RELEASE UNDER THE OSE
 LICENSE FOR DISTRIBUTIVE ECONOMICS
 FOR FURTHER INFORMATION GO TO:
OPENSOURCEECOLOGY.ORG/GMWIKI/LICENSE

	NAME	DATE
DRAWN	F. Anzaldua	3/28/12
CHECKED		
APPR.		
UNLESS OTHERWISE SPECIFIED DIMENSIONS ARE IN INCHES		
ANGLES	.X	.XX
	.5	.5

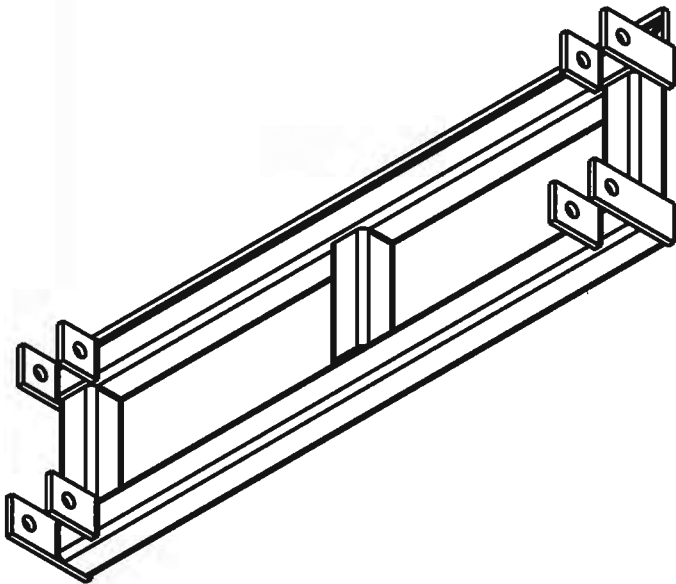
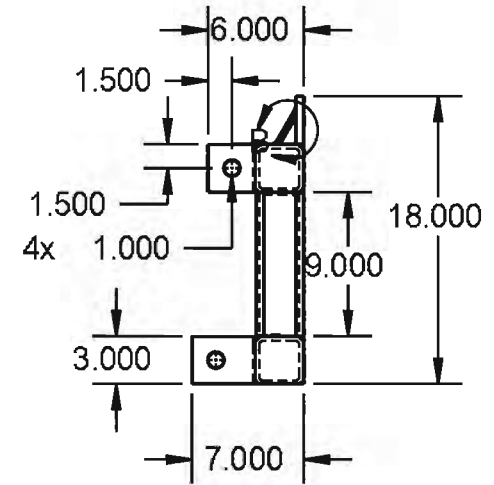
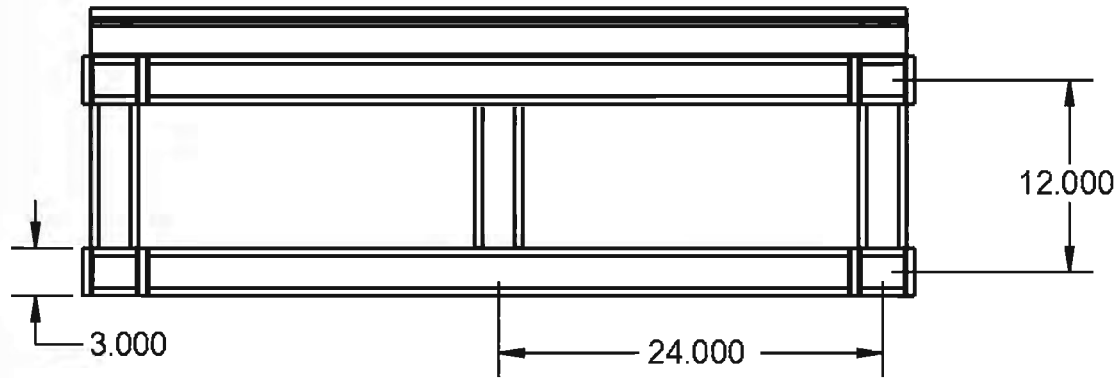
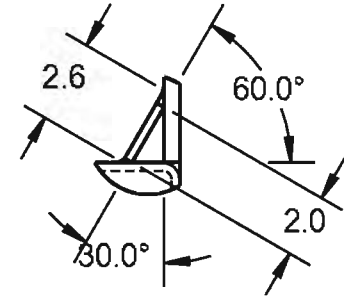


PROJECT: LIFE TRAC III		
TITLE LOADER ARM		
SIZE A	DWG. NO. PART NUMBER	REV
SCALE: 1:16	WEIGHT:	SHEET 1 OF 1

5 4 3 2 1



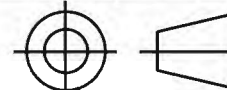
DETAIL B
SCALE 1:6



LICENSE INFORMATION

ALL INFORMATION RELEASE UNDER THE OSE
LICENSE FOR DISTRIBUTIVE ECONOMICS
FOR FURTHER INFORMATION GO TO:
OPENSOURCEECOLOGY.ORG/WIKI/LICENSE

	NAME	DATE
DRAWN	F. Anzaldua	3/28/12
CHECKED		
APPR.		
UNLESS OTHERWISE SPECIFIED DIMENSIONS ARE IN INCHES		
ANGLES	.X	.XX
	.5	.5



THIRD ANGLE PROJECTION

PROJECT:		LIFE TRAC III
TITLE		
LOADER QUICK ATTACH PLATE		
SIZE	DWG. NO.	REV
A	PART NUMBER	
SCALE: 1:12	WEIGHT:	SHEET 1 OF 1

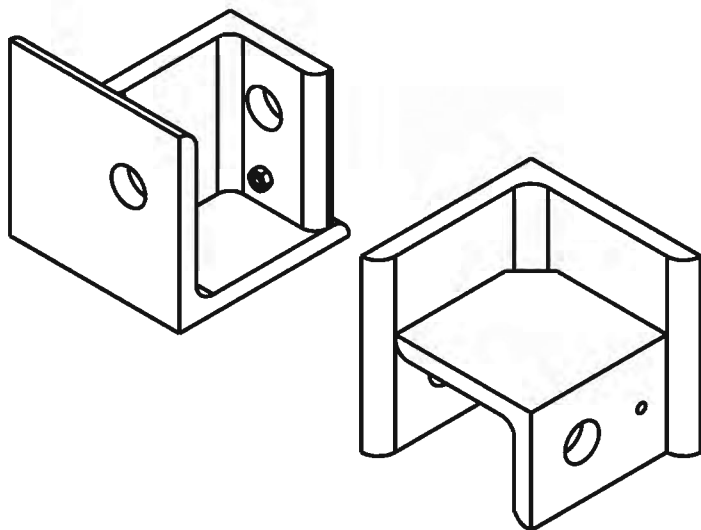
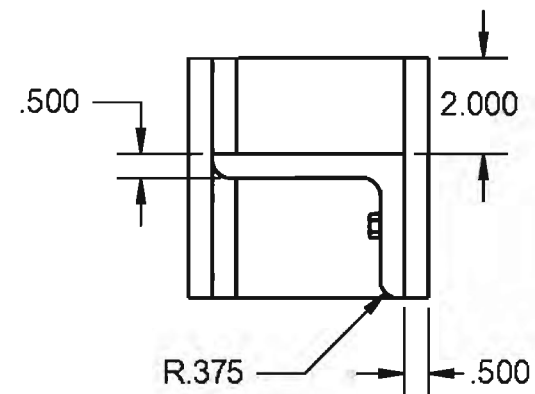
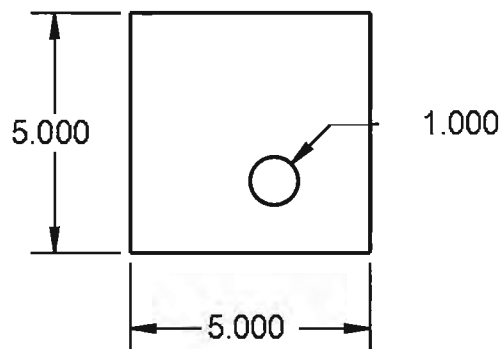
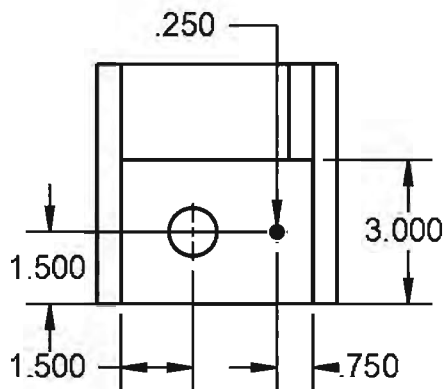
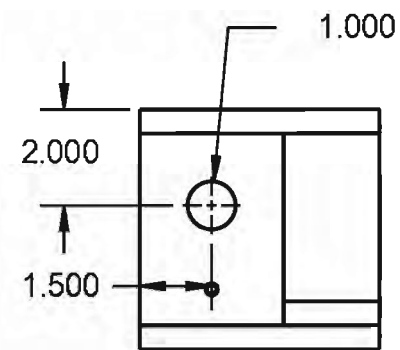
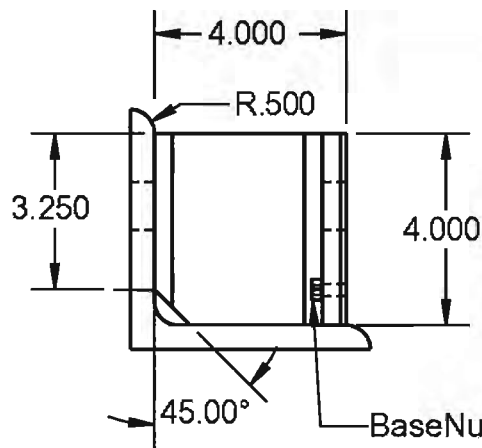
5

4

3

2

1



LICENSE INFORMATION
 ALL INFORMATION RELEASE UNDER THE OSE
 LICENSE FOR DISTRIBUTIVE ECONOMICS
 FOR FURTHER INFORMATION GO TO:
 OPENSOURCEECOLOGY.ORG/WIKI/LICENSE

	NAME	DATE
DRAWN	F. Anzaldua	3/28/12
CHECKED		
APPR.		
UNLESS OTHERWISE SPECIFIED DIMENSIONS ARE IN INCHES		
ANGLES	.X	.XX
	.5	.5



PROJECT: LIFE TRAC III		
TITLE NEW PISTON MOUNT		
SIZE A	DWG. NO. PART NUMBER	REV
SCALE: 1:4	WEIGHT:	SHEET 1 OF 1

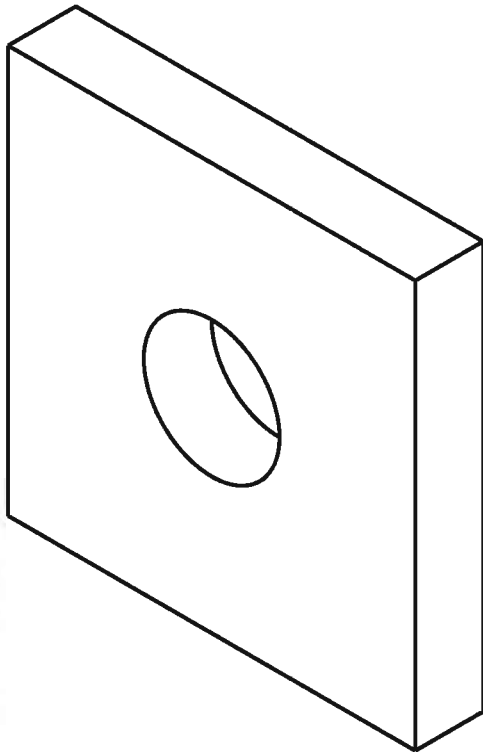
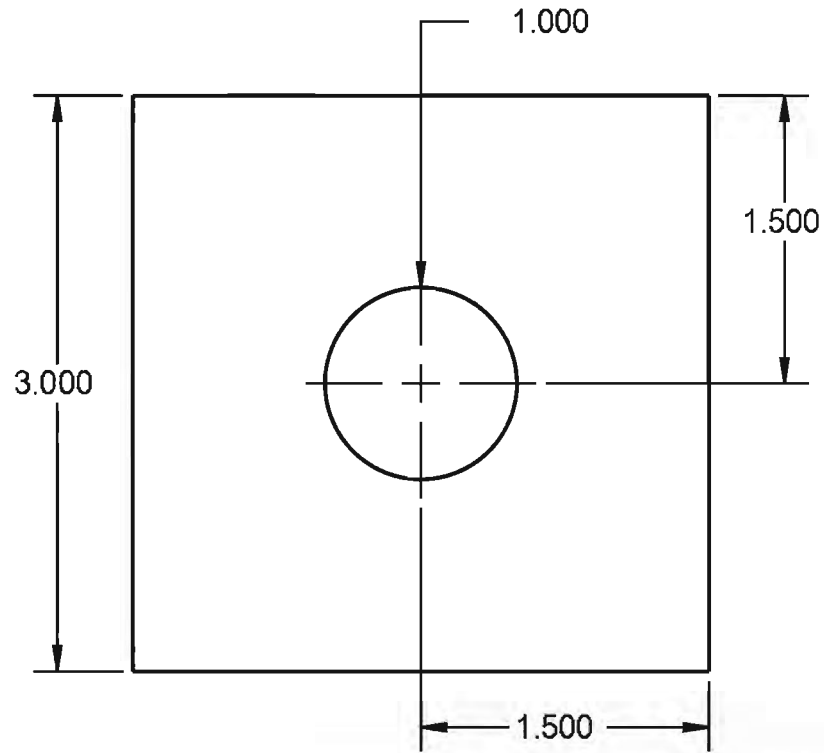
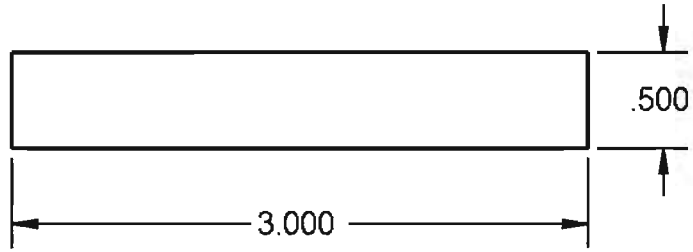
5

4

3

2

1



LICENSE INFORMATION
 ALL INFORMATION RELEASE UNDER THE OSE
 LICENSE FOR DISTRIBUTIVE ECONOMICS
 FOR FURTHER INFORMATION GO TO:
 OPENSOURCEECOLOGY.ORG/WIKI/LICENSE

	NAME	DATE
DRAWN	F. Anzaldua	3/28/12
CHECKED		
APPR.		
UNLESS OTHERWISE SPECIFIED DIMENSIONS ARE IN INCHES		
ANGLES	.X	.XX
	.5	.5

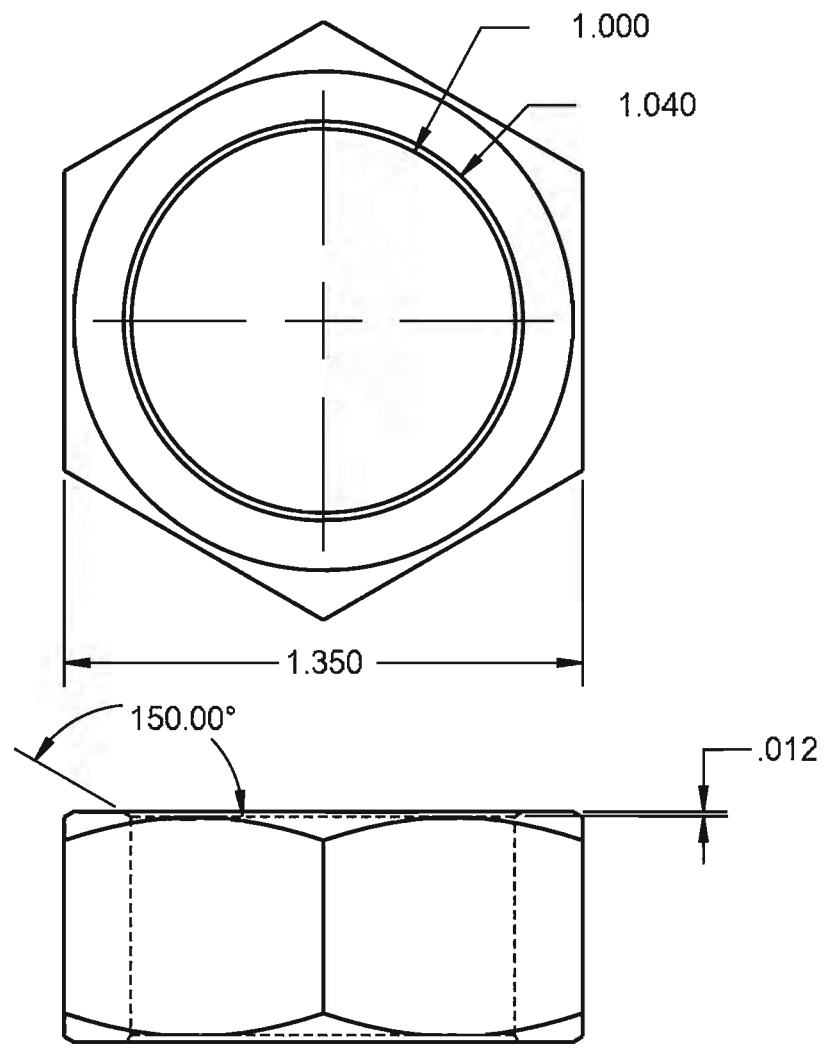
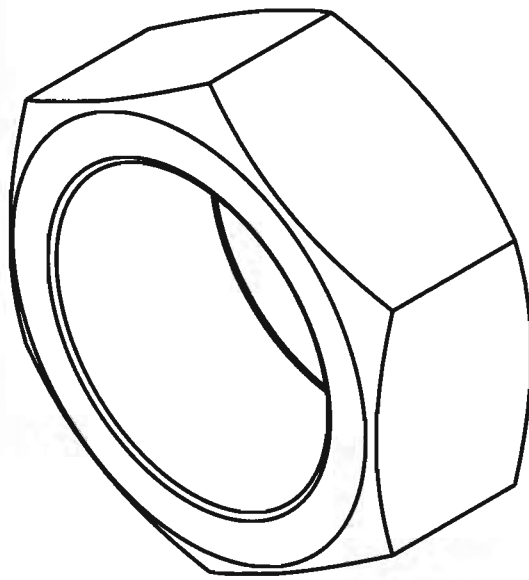


PROJECT:
LIFE TRAC III

TITLE
NEW PLATE

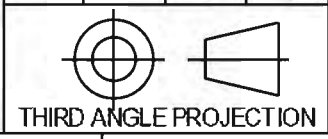
SIZE A	DWG. NO. PART NUMBER	REV
------------------	-------------------------	-----

SCALE: 1:1 WEIGHT: SHEET 1 OF 1



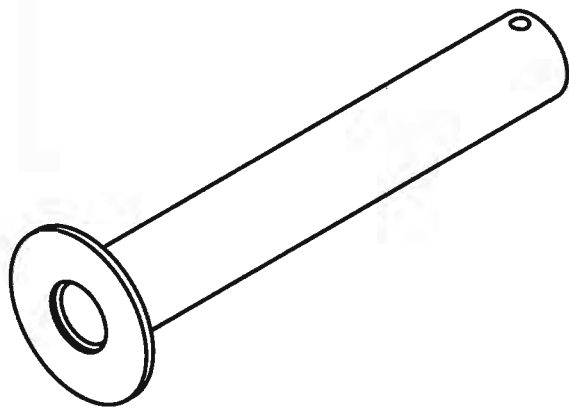
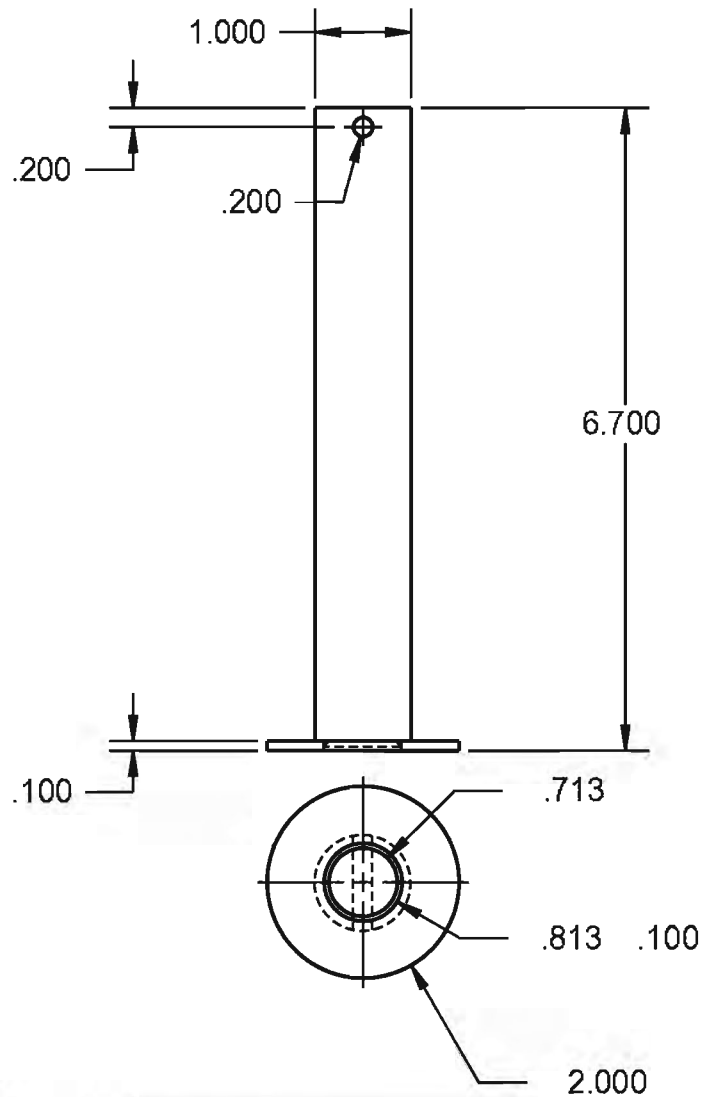
LICENSE INFORMATION
 ALL INFORMATION RELEASE UNDER THE OSE
 LICENSE FOR DISTRIBUTIVE ECONOMICS
 FOR FURTHER INFORMATION GO TO:
 OPENSOURCEECOLOGY.ORG/WIKI/LICENSE

	NAME	DATE
DRAWN	F. Anzaldua	3/28/12
CHECKED		
APPR.		
UNLESS OTHERWISE SPECIFIED DIMENSIONS ARE IN INCHES		
ANGLES	.X	.XX
	.5	.5



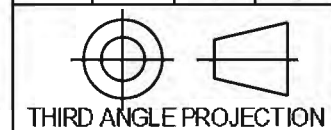
PROJECT: LIFE TRAC III		
TITLE 1 INCH NUT DRILLED OUT		
SIZE A	DWG. NO. PART NUMBER	REV
SCALE: 2:1	WEIGHT:	SHEET 1 OF 1

5 4 3 2 1



LICENSE INFORMATION
 ALL INFORMATION RELEASE UNDER THE OSE
 LICENSE FOR DISTRIBUTIVE ECONOMICS
 FOR FURTHER INFORMATION GO TO:
 OPENSOURCEECOLOGY.ORG/WIKI/LICENSE

	NAME	DATE
DRAWN	F. Anzaldua	3/28/12
CHECKED		
APPR.		
UNLESS OTHERWISE SPECIFIED DIMENSIONS ARE IN INCHES		
ANGLES	.X	.XX
	.5	.5



PROJECT: LIFE TRAC III		
TITLE 1 INCH PIN (8IN LONG)		
SIZE A	DWG. NO. PART NUMBER	REV
SCALE: 1:2	WEIGHT:	SHEET 1 OF 1

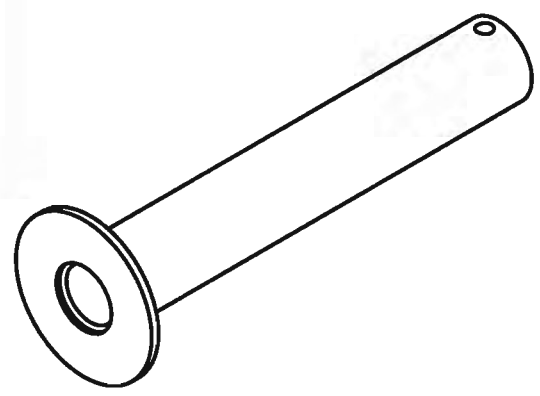
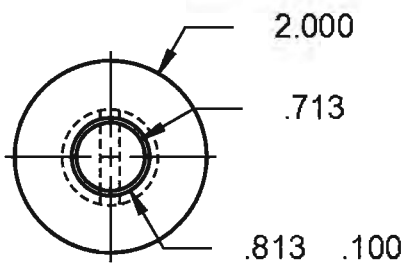
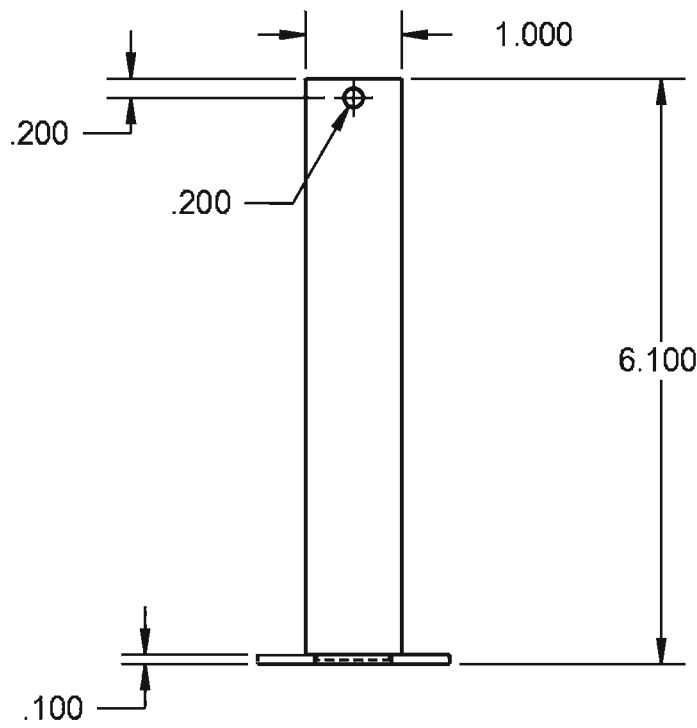
5

4

3

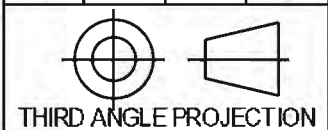
2

1



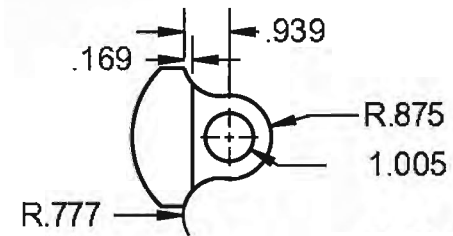
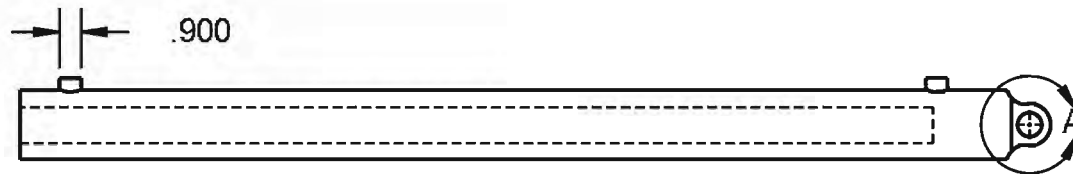
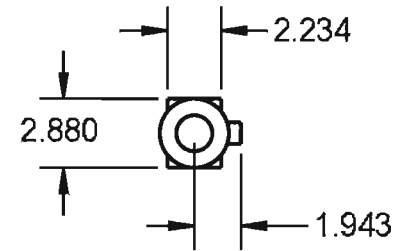
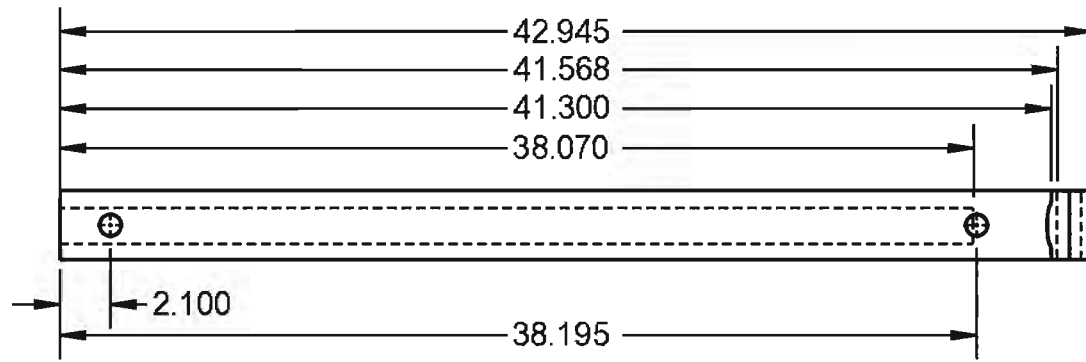
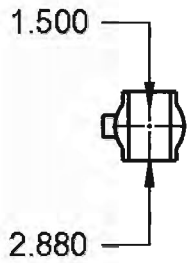
LICENSE INFORMATION
 ALL INFORMATION RELEASE UNDER THE OSE
 LICENSE FOR DISTRIBUTIVE ECONOMICS
 FOR FURTHER INFORMATION GO TO:
OPENSOURCEECOLOGY.ORG/WIKI/LICENSE

	NAME	DATE
DRAWN	F. Anzaldua	3/28/12
CHECKED		
APPR.		
UNLESS OTHERWISE SPECIFIED DIMENSIONS ARE IN INCHES		
ANGLES	.X	.XX .XXX
	.5	.5 .5

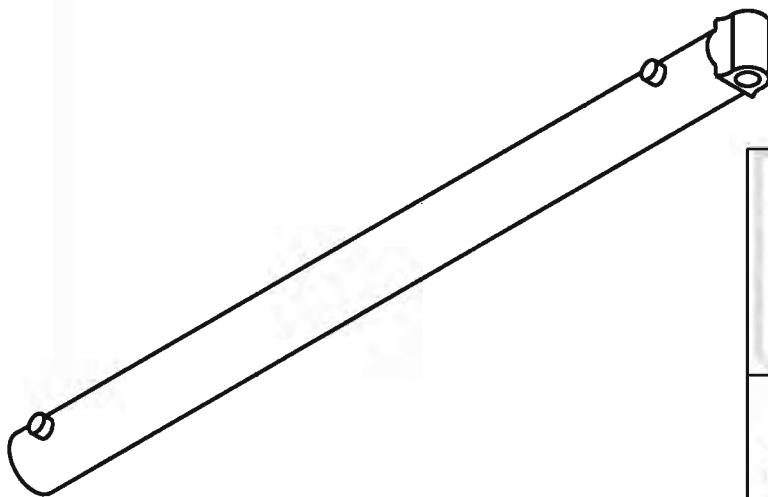


PROJECT: LIFE TRAC III		
TITLE ONE INCH PIN		
SIZE A	DWG. NO. PART NUMBER	REV
SCALE: 1:2	WEIGHT:	SHEET 1 OF 1

5 4 3 2 1



DETAIL A
SCALE 1 : 4



LICENSE INFORMATION
ALL INFORMATION RELEASE UNDER THE OSE
LICENSE FOR DISTRIBUTIVE ECONOMICS
FOR FURTHER INFORMATION GO TO:
OPENSOURCEECOLOGY.ORG/WIKI/LICENSE

	NAME	DATE
DRAWN	F. Anzaldua	3/28/12
CHECKED		
APPR.		
UNLESS OTHERWISE SPECIFIED DIMENSIONS ARE IN INCHES		
ANGLES	.X	.XX .XXX
	.5	.5 .5



PROJECT: LIFE TRAC III		
TITLE 2.5X36X1.5 DA HYD CYL		
SIZE A	DWG. NO. PART NUMBER	REV
SCALE: 1:8	WEIGHT:	SHEET 1 OF 1

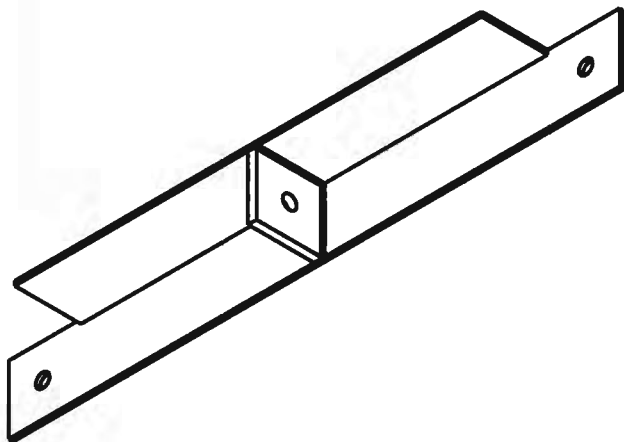
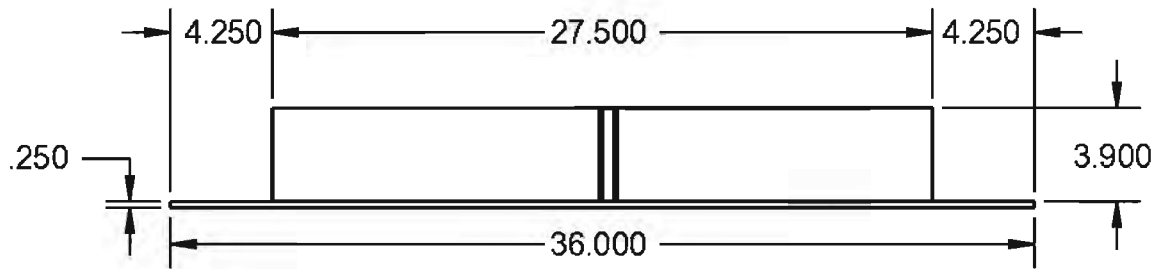
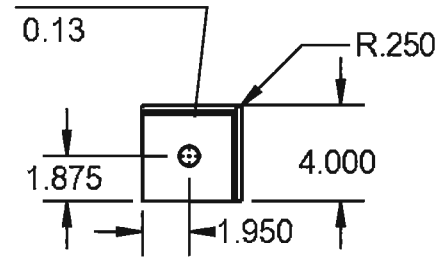
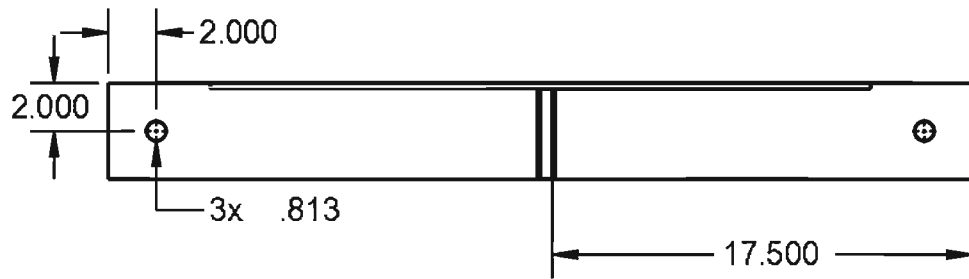
5

4

3

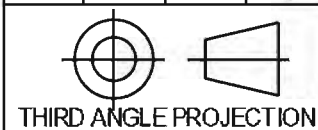
2

1



LICENSE INFORMATION
 ALL INFORMATION RELEASE UNDER THE OSE
 LICENSE FOR DISTRIBUTIVE ECONOMICS
 FOR FURTHER INFORMATION GO TO:
 OPENSOURCEECOLOGY.ORG/WIKI/LICENSE

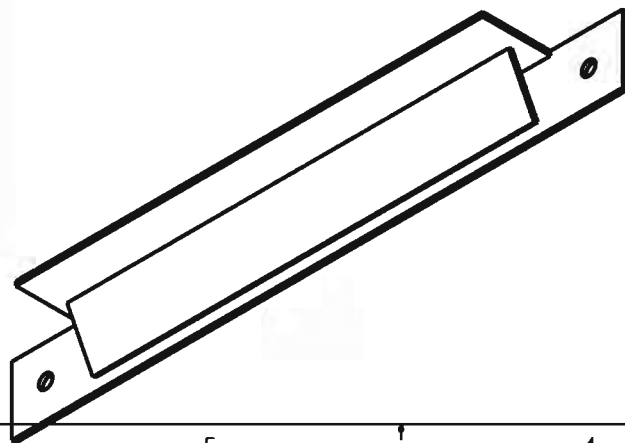
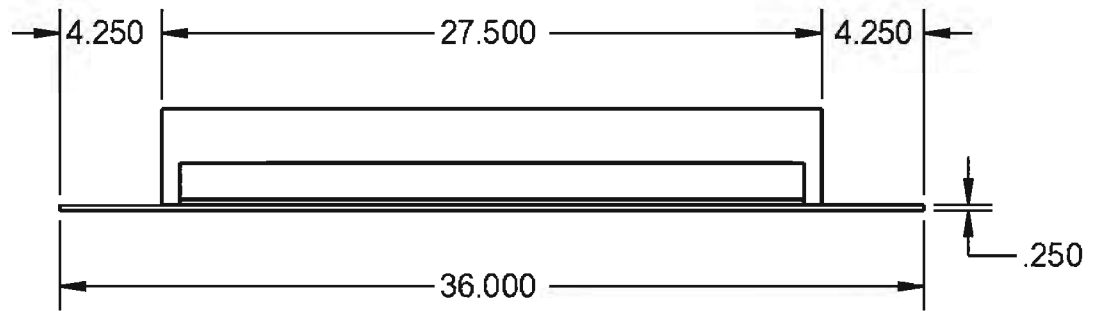
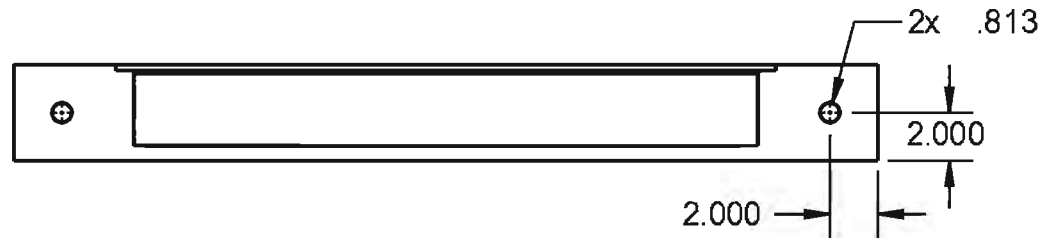
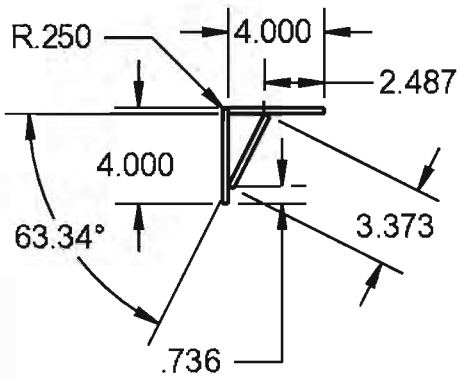
	NAME	DATE
DRAWN	F. Anzaldua	3/28/12
CHECKED		
APPR.		
UNLESS OTHERWISE SPECIFIED DIMENSIONS ARE IN INCHES		
ANGLES	.X	.XX
	.5	.5



THIRD ANGLE PROJECTION

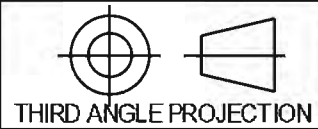
PROJECT: LIFE TRAC III		
TITLE POWER CUBE BOTTOM MOUNT		
SIZE A	DWG. NO. PART NUMBER	REV
SCALE: 1:8	WEIGHT:	SHEET 1 OF 1

5 4 3 2 1



LICENSE INFORMATION
 ALL INFORMATION RELEASE UNDER THE OSE
 LICENSE FOR DISTRIBUTIVE ECONOMICS
 FOR FURTHER INFORMATION GO TO:
 OPENSOURCEECOLOGY.ORG/WIKI/LICENSE

	NAME	DATE	PROJECT:	
DRAWN	F. Anzaldua	3/28/12	LIFE TRAC III	
CHECKED			TITLE	
APPR.			POWER CUBE TOP MOUNT	
UNLESS OTHERWISE SPECIFIED DIMENSIONS ARE IN INCHES				
ANGLES	.X	.XX	.XXX	
	.5	.5	.5	



SIZE	DWG. NO.	REV
A	PART NUMBER	
SCALE: 1:8	WEIGHT:	SHEET 1 OF 1

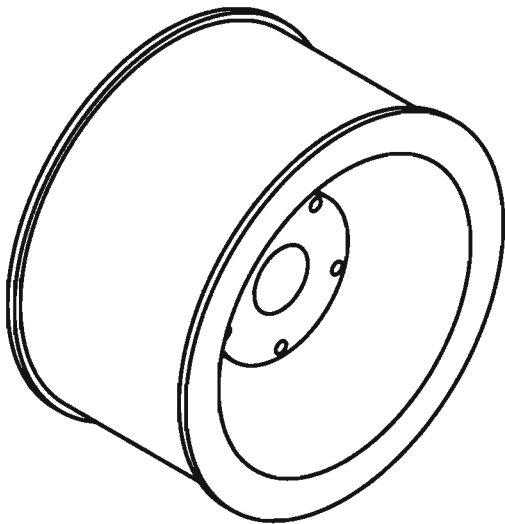
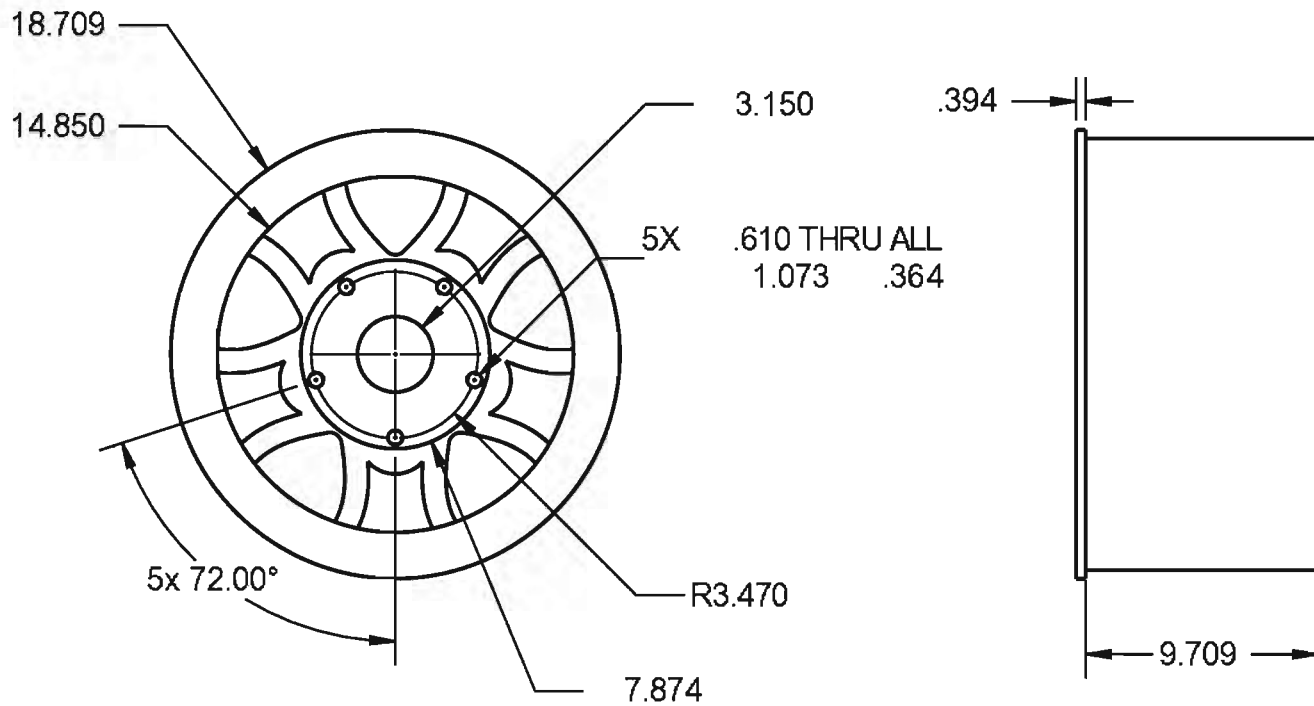
5

4

3

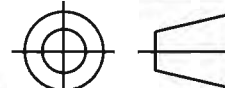
2

1



LICENSE INFORMATION
 ALL INFORMATION RELEASE UNDER THE OSE
 LICENSE FOR DISTRIBUTIVE ECONOMICS
 FOR FURTHER INFORMATION GO TO:
 OPENSOURCEECOLOGY.ORG/WIKI/LICENSE

	NAME	DATE
DRAWN	F. Anzaldua	3/28/12
CHECKED		
APPR.		
UNLESS OTHERWISE SPECIFIED DIMENSIONS ARE IN INCHES		
ANGLES	.X	.XX
	.5	.5



THIRD ANGLE PROJECTION

PROJECT:		LIFE TRAC III
TITLE		
RIM		
SIZE	DWG. NO.	REV
A	PART NUMBER	
SCALE: 1:8	WEIGHT:	SHEET 1 OF 1

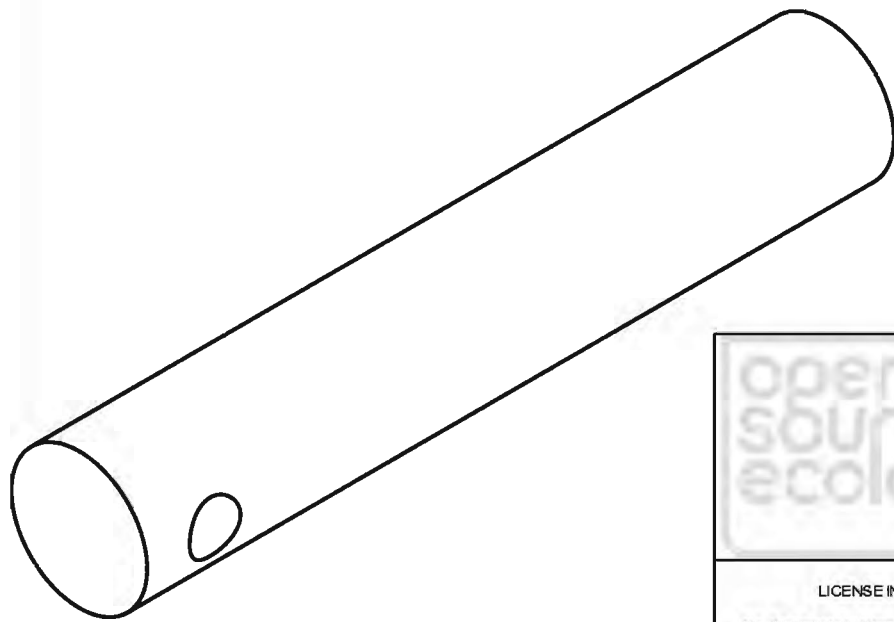
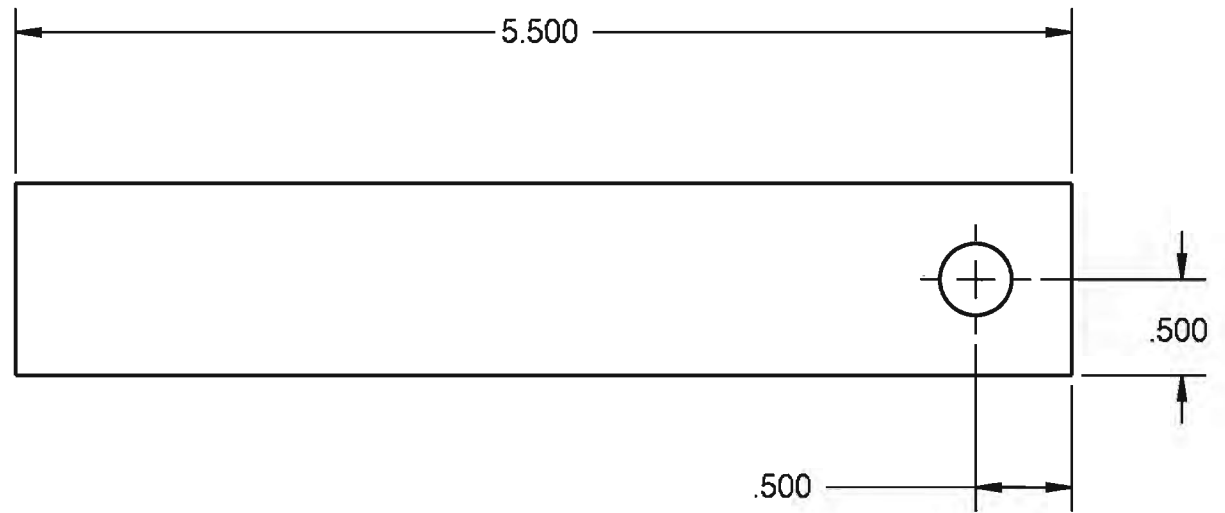
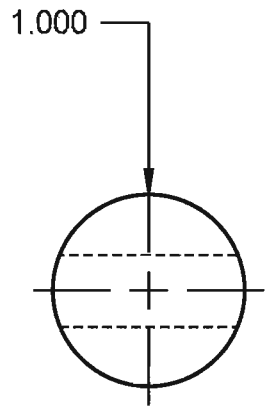
5

4

3

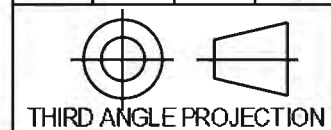
2

1



LICENSE INFORMATION
 ALL INFORMATION RELEASE UNDER THE OSE
 LICENSE FOR DISTRIBUTIVE ECONOMICS
 FOR FURTHER INFORMATION GO TO:
 OPENSOURCEECOLOGY.ORG/WIKI/LICENSE

	NAME	DATE
DRAWN	F. Anzaldua	3/28/12
CHECKED		
APPR.		
UNLESS OTHERWISE SPECIFIED DIMENSIONS ARE IN INCHES		
ANGLES	.X	.XX
	.5	.5



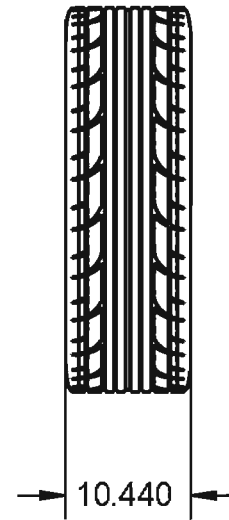
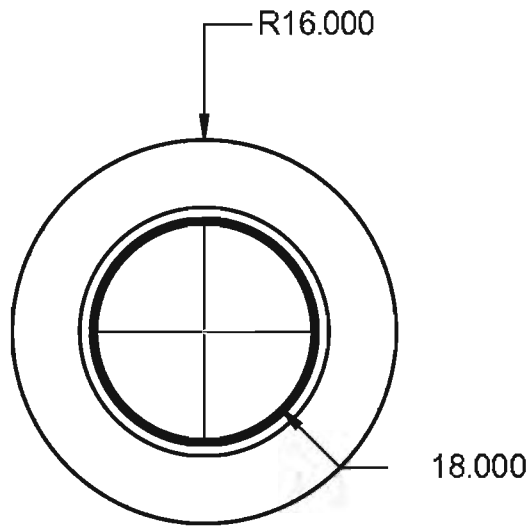
PROJECT:
LIFE TRAC III

TITLE
ROD, 1 INCH

SIZE	DWG. NO.	REV
A	PART NUMBER	

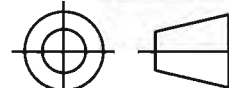
SCALE: 1:1 WEIGHT: SHEET 1 OF 1

5 4 3 2 1



LICENSE INFORMATION
 ALL INFORMATION RELEASE UNDER THE OSE
 LICENSE FOR DISTRIBUTIVE ECONOMICS
 FOR FURTHER INFORMATION GO TO:
 OPENSOURCEECOLOGY.ORG/WIKI/LICENSE

	NAME	DATE
DRAWN	F. Anzaldua	3/2/12
CHECKED		
APPR.		
UNLESS OTHERWISE SPECIFIED DIMENSIONS ARE IN INCHES		
ANGLES	.X	.XX
	.5	.5



THIRD ANGLE PROJECTION

PROJECT:
LIFE TRAC III

TITLE
TIRE

SIZE A	DWG. NO. PART NUMBER	REV
------------------	-------------------------	-----

SCALE: 1:16 WEIGHT: SHEET 1 OF 1

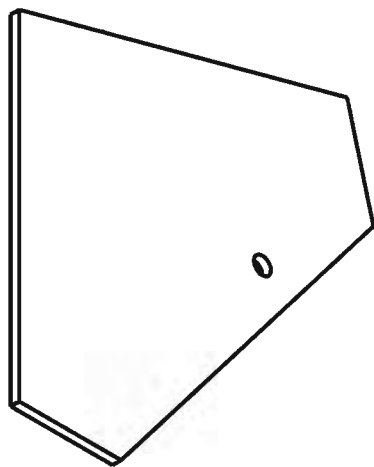
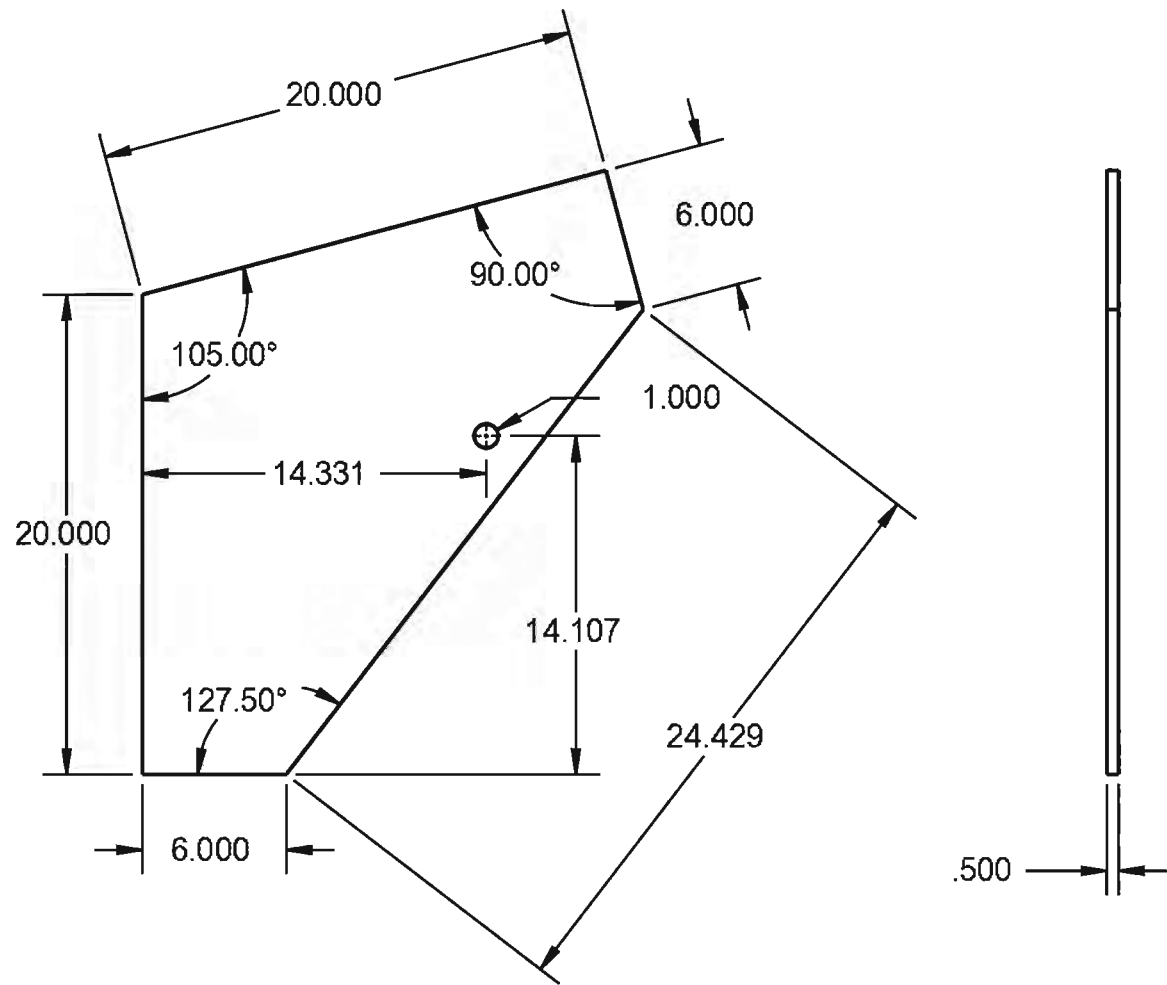
5

4

3

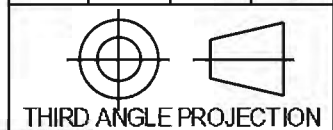
2

1



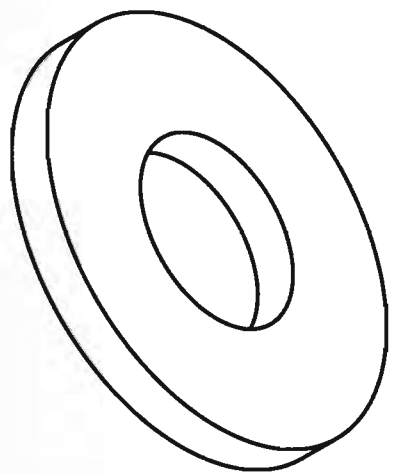
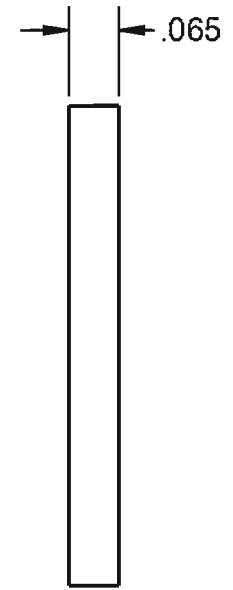
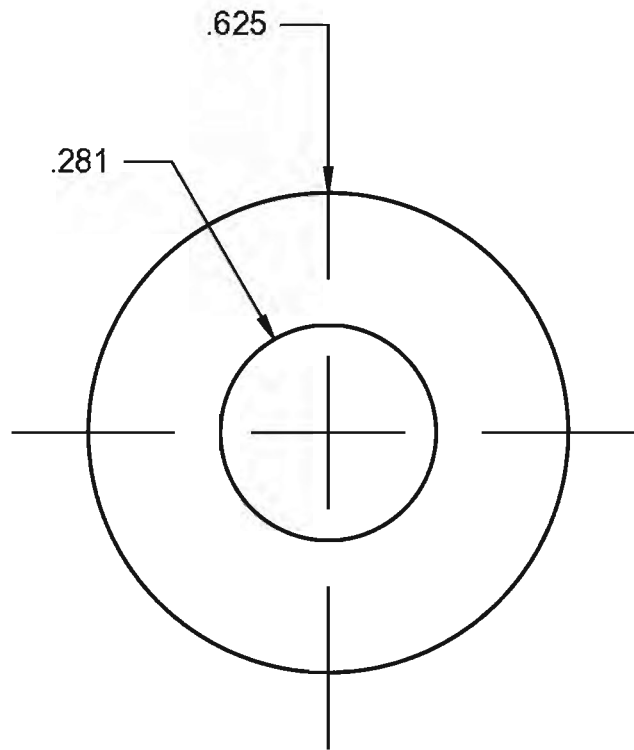
LICENSE INFORMATION
 ALL INFORMATION RELEASE UNDER THE OSE
 LICENSE FOR DISTRIBUTIVE ECONOMICS
 FOR FURTHER INFORMATION GO TO:
 OPENSOURCEECOLOGY.ORG/WIKI/LICENSE

	NAME	DATE
DRAWN	F. Anzaldua	3/28/12
CHECKED		
APPR.		
UNLESS OTHERWISE SPECIFIED DIMENSIONS ARE IN INCHES		
ANGLES	.X	.XX
	.5	.5



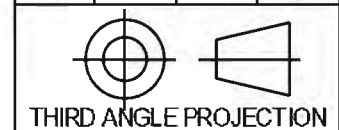
PROJECT:		LIFE TRAC III
TITLE		TOP LOADER PLATE HYDRAULIC
SIZE	DWG. NO.	REV
A	PART NUMBER	
SCALE: 1:8	WEIGHT:	SHEET 1 OF 1

5 4 3 2 1



LICENSE INFORMATION
 ALL INFORMATION RELEASE UNDER THE OSE
 LICENSE FOR DISTRIBUTIVE ECONOMICS
 FOR FURTHER INFORMATION GO TO:
 OPENSOURCEECOLOGY.ORG/WIKI/LICENSE

	NAME	DATE
DRAWN	F. Anzaldua	3/28/12
CHECKED		
APPR.		
UNLESS OTHERWISE SPECIFIED DIMENSIONS ARE IN INCHES		
ANGLES	.X	.XX
	.5	.5



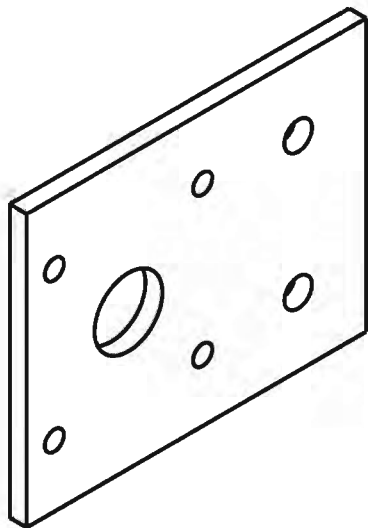
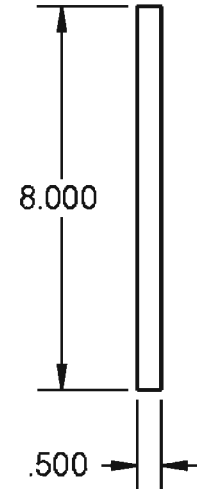
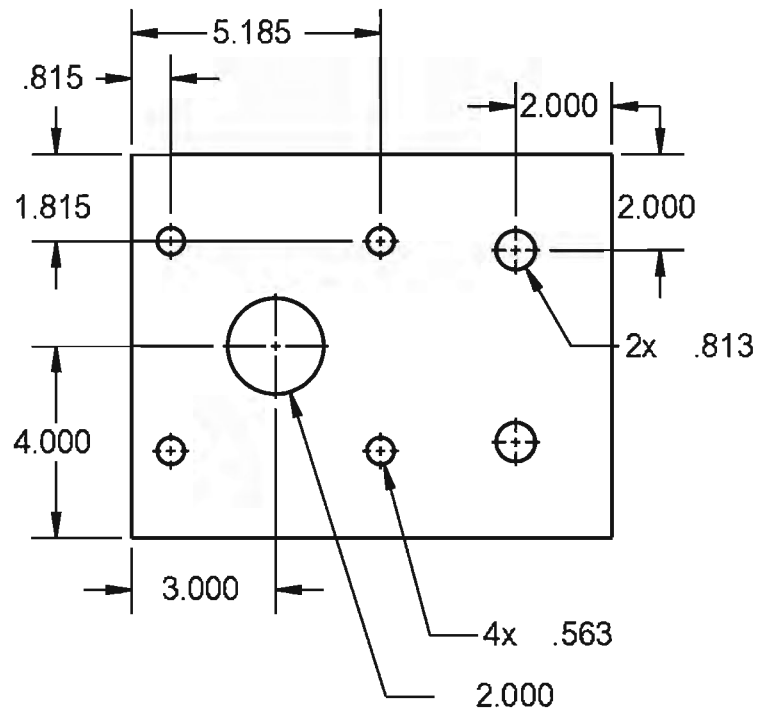
PROJECT:
LIFE TRAC III

TITLE
**WASHER
0.250-WIDE**

SIZE A	DWG. NO. PART NUMBER	REV
------------------	-------------------------	-----

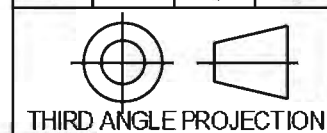
SCALE: 4:1 WEIGHT: SHEET 1 OF 1

5 4 3 2 1



LICENSE INFORMATION
 ALL INFORMATION RELEASE UNDER THE OSE
 LICENSE FOR DISTRIBUTIVE ECONOMICS
 FOR FURTHER INFORMATION GO TO:
 OPENSOURCEECOLOGY.ORG/WIKI/LICENSE

	NAME	DATE
DRAWN	F. Anzaldua	3/28/12
CHECKED		
APPR.		
UNLESS OTHERWISE SPECIFIED DIMENSIONS ARE IN INCHES		
ANGLES	.X	.XX
.5	.5	.5



PROJECT:		LIFE TRAC III
TITLE		WHEEL AXLE SHAFT HOLDING PLATE
SIZE	DWG. NO.	REV
A	PART NUMBER	
SCALE: 1:4	WEIGHT:	SHEET 1 OF 1

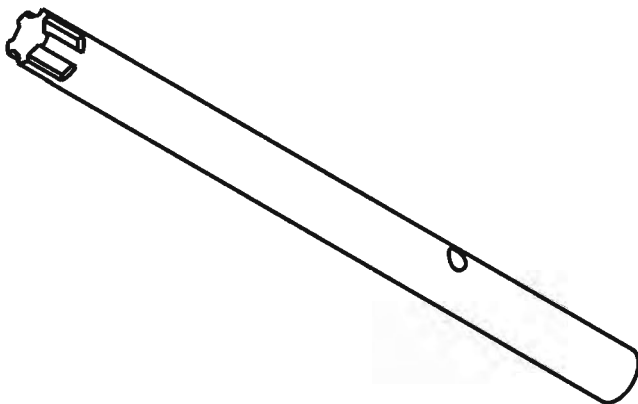
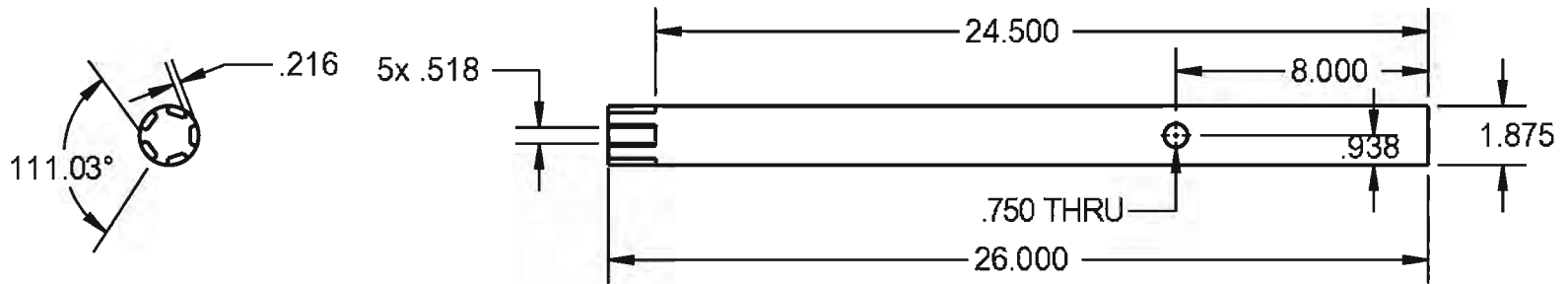
5

4

3

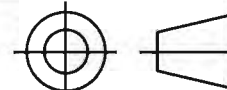
2

1



LICENSE INFORMATION
 ALL INFORMATION RELEASE UNDER THE OSE
 LICENSE FOR DISTRIBUTIVE ECONOMICS
 FOR FURTHER INFORMATION GO TO:
OPENSOURCEECOLOGY.ORG/GMWIKI/LICENSE

	NAME	DATE
DRAWN	F. Anzaldua	3/28/12
CHECKED		
APPR.		
UNLESS OTHERWISE SPECIFIED DIMENSIONS ARE IN INCHES		
ANGLES	.X	.XX
	.5	.5



THIRD ANGLE PROJECTION

PROJECT: LIFE TRAC III		
TITLE WHEEL AXLE SHAFT		
SIZE A	DWG. NO. PART NUMBER	REV
SCALE: 1:6	WEIGHT:	SHEET 1 OF 1

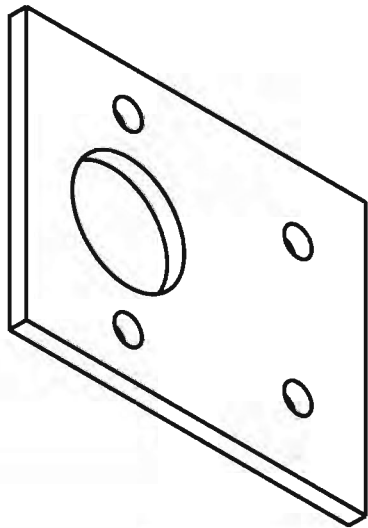
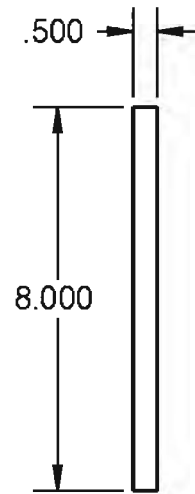
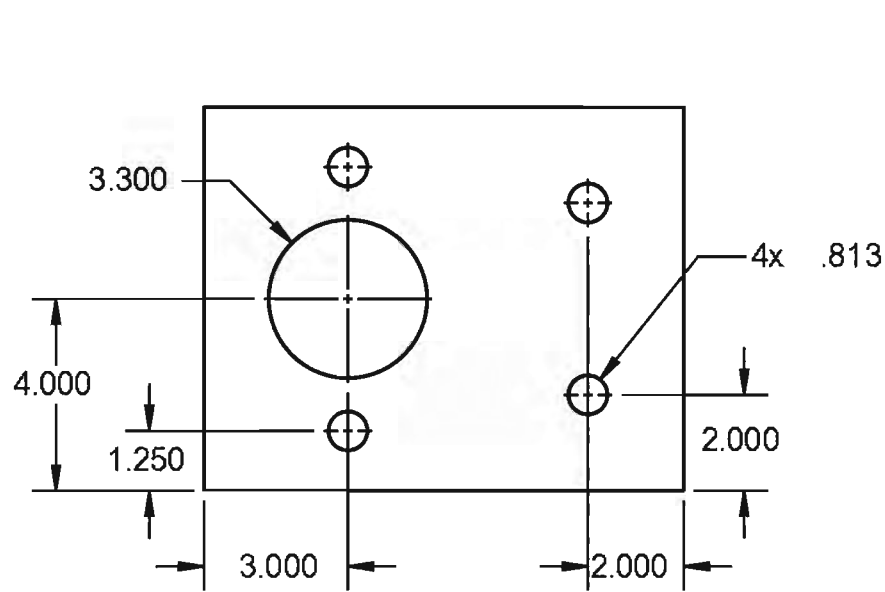
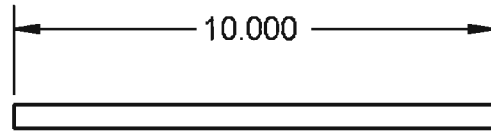
5

4

3

2

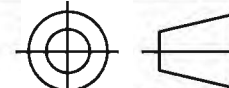
1



LICENSE INFORMATION

ALL INFORMATION RELEASE UNDER THE OSE
 LICENSE FOR DISTRIBUTIVE ECONOMICS
 FOR FURTHER INFORMATION GO TO:
OPENSOURCEECOLOGY.ORG/GMWIKI/LICENSE

	NAME	DATE
DRAWN	F. Anzaldua	3/28/12
CHECKED		
APPR.		
UNLESS OTHERWISE SPECIFIED DIMENSIONS ARE IN INCHES		
ANGLES	.X	.XX
	.5	.5



THIRD ANGLE PROJECTION

PROJECT:		LIFE TRAC III
TITLE		WHEEL HYDRAULIC MOTOR INTERFACE PLATE
SIZE	DWG. NO.	REV
A	PART NUMBER	
SCALE: 1:4	WEIGHT:	SHEET 1 OF 1

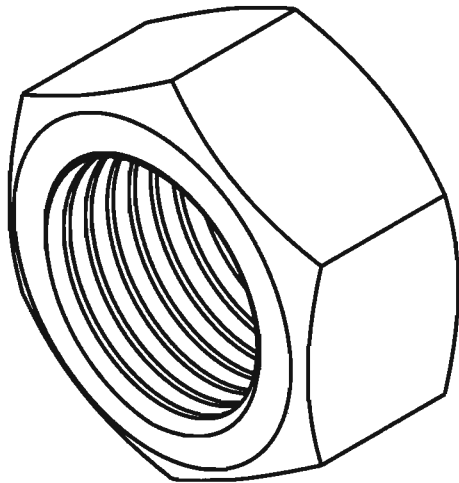
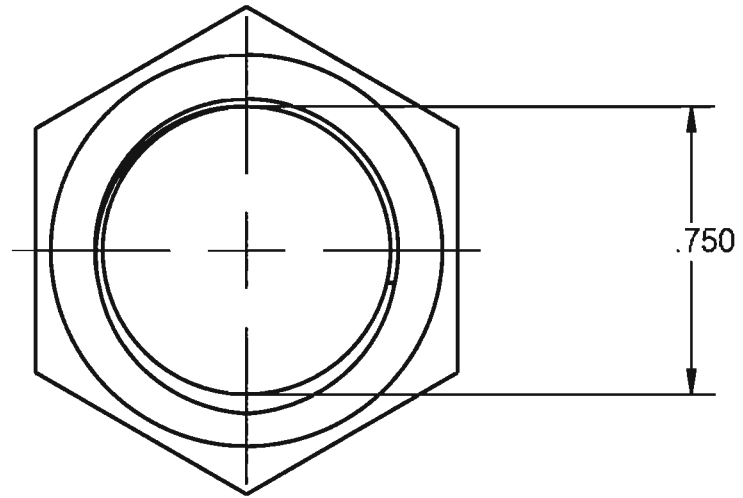
5

4

3

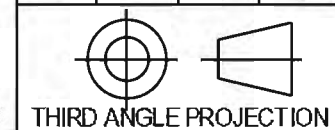
2

1



LICENSE INFORMATION
 ALL INFORMATION RELEASE UNDER THE OSE
 LICENSE FOR DISTRIBUTIVE ECONOMICS
 FOR FURTHER INFORMATION GO TO:
 OPENSOURCEECOLOGY.ORG/WIKI/LICENSE

	NAME	DATE
DRAWN	F. Anzaldua	3/28/12
CHECKED		
APPR.		
UNLESS OTHERWISE SPECIFIED DIMENSIONS ARE IN INCHES		
ANGLES	.X	.XX
	.5	.5



PROJECT:		LIFE TRAC III
TITLE		
3/4 INCH NUT		
SIZE	DWG. NO.	REV
A	PART NUMBER	
SCALE: 2:1	WEIGHT:	SHEET 1 OF 1

5

↑

4

↓

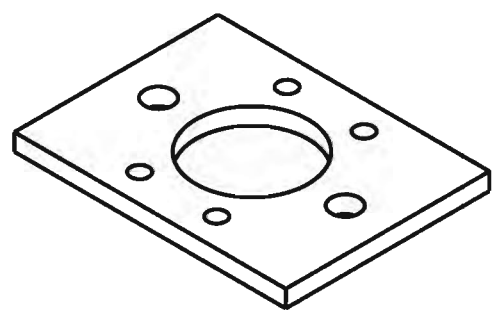
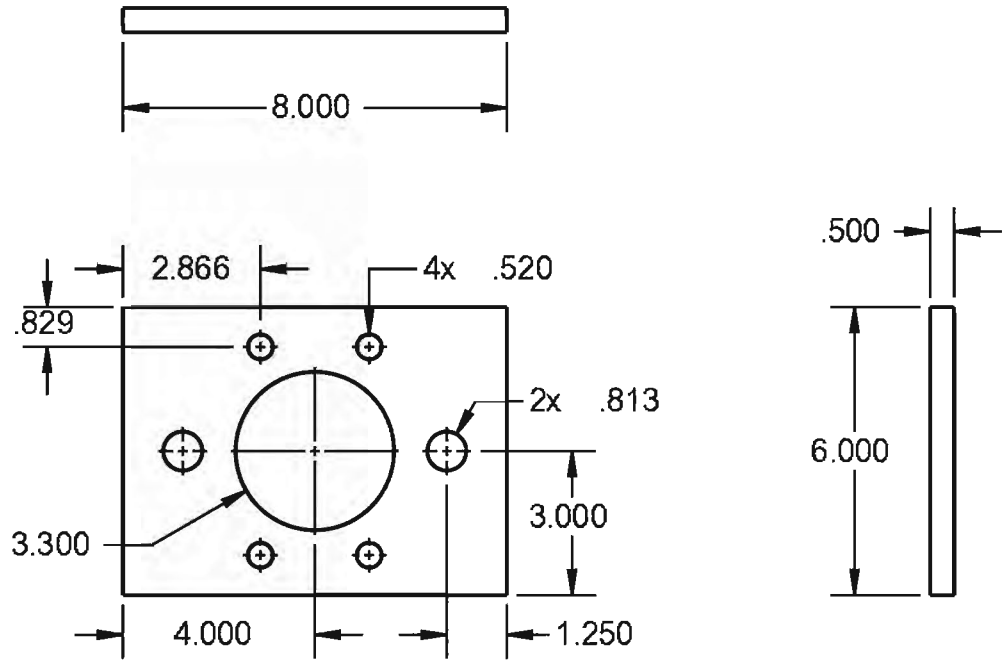
3

↓

2

↓

1



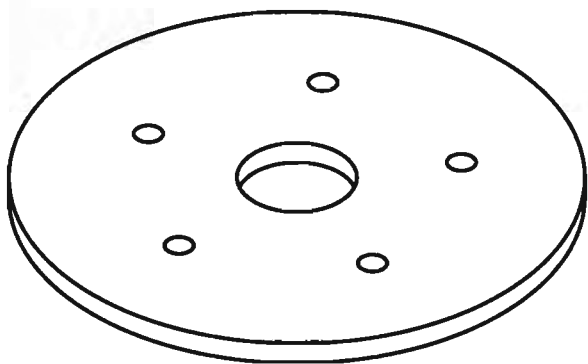
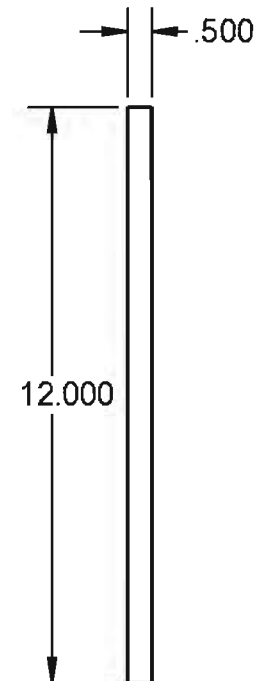
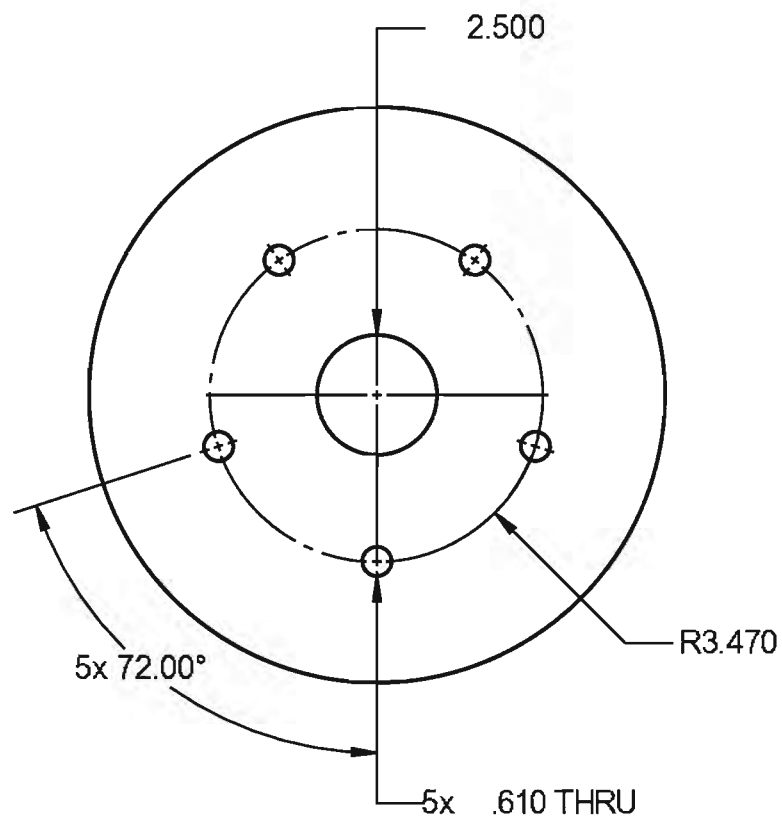
LICENSE INFORMATION
 ALL INFORMATION RELEASE UNDER THE OSE
 LICENSE FOR DISTRIBUTIVE ECONOMICS
 FOR FURTHER INFORMATION GO TO:
OPENSOURCEECOLOGY.ORG/GMWIKI/LICENSE

	NAME	DATE
DRAWN	F. Anzaldua	3/28/12
CHECKED		
APPR.		
UNLESS OTHERWISE SPECIFIED DIMENSIONS ARE IN INCHES		
ANGLES	.X	.XX
	.5	.5



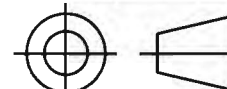
PROJECT: LIFE TRAC III		
TITLE WHEEL MOTOR QA PLATE		
SIZE A	DWG. NO. PART NUMBER	REV
SCALE: 1:4	WEIGHT:	SHEET 1 OF 1

5 4 3 2 1



LICENSE INFORMATION
 ALL INFORMATION RELEASE UNDER THE OSE
 LICENSE FOR DISTRIBUTIVE ECONOMICS
 FOR FURTHER INFORMATION GO TO:
 OPENSOURCEECOLOGY.ORG/WIKI/LICENSE

	NAME	DATE
DRAWN	F. Anzaldua	3/28/12
CHECKED		
APPR.		
UNLESS OTHERWISE SPECIFIED DIMENSIONS ARE IN INCHES		
ANGLES	.X	.XX
.5	.5	.5



THIRD ANGLE PROJECTION

PROJECT:
LIFE TRAC III

TITLE
**WHEEL
MOUNT DISC**

SIZE A	DWG. NO. PART NUMBER	REV
------------------	-------------------------	-----

SCALE: 1:4	WEIGHT:	SHEET 1 OF 1
------------	---------	--------------

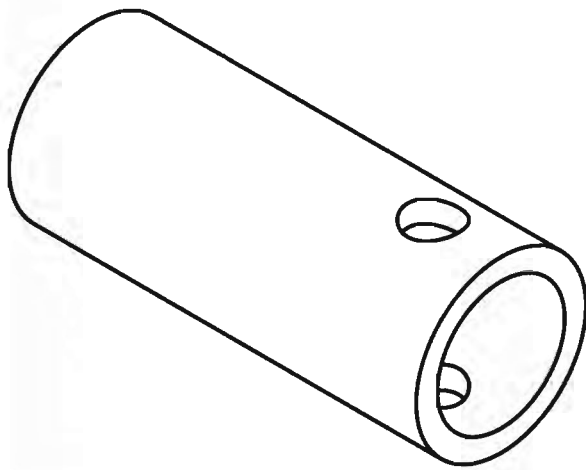
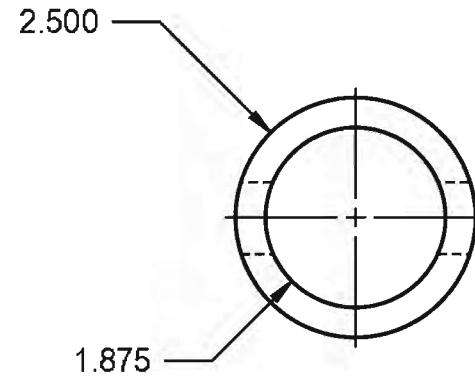
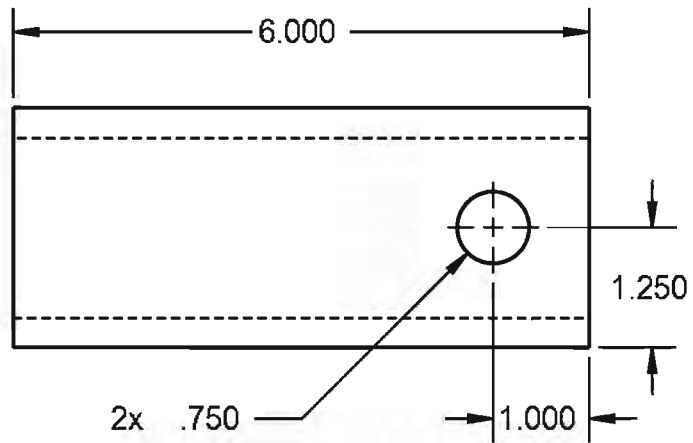
5

4

3

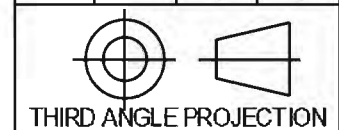
2

1



LICENSE INFORMATION
 ALL INFORMATION RELEASE UNDER THE OSE
 LICENSE FOR DISTRIBUTIVE ECONOMICS
 FOR FURTHER INFORMATION GO TO:
OPENSOURCEECOLOGY.ORG/GMWIKI/LICENSE

	NAME	DATE
DRAWN	F. Anzaldua	3/28/12
CHECKED		
APPR.		
UNLESS OTHERWISE SPECIFIED DIMENSIONS ARE IN INCHES		
ANGLES	.X	.XX
	.5	.5



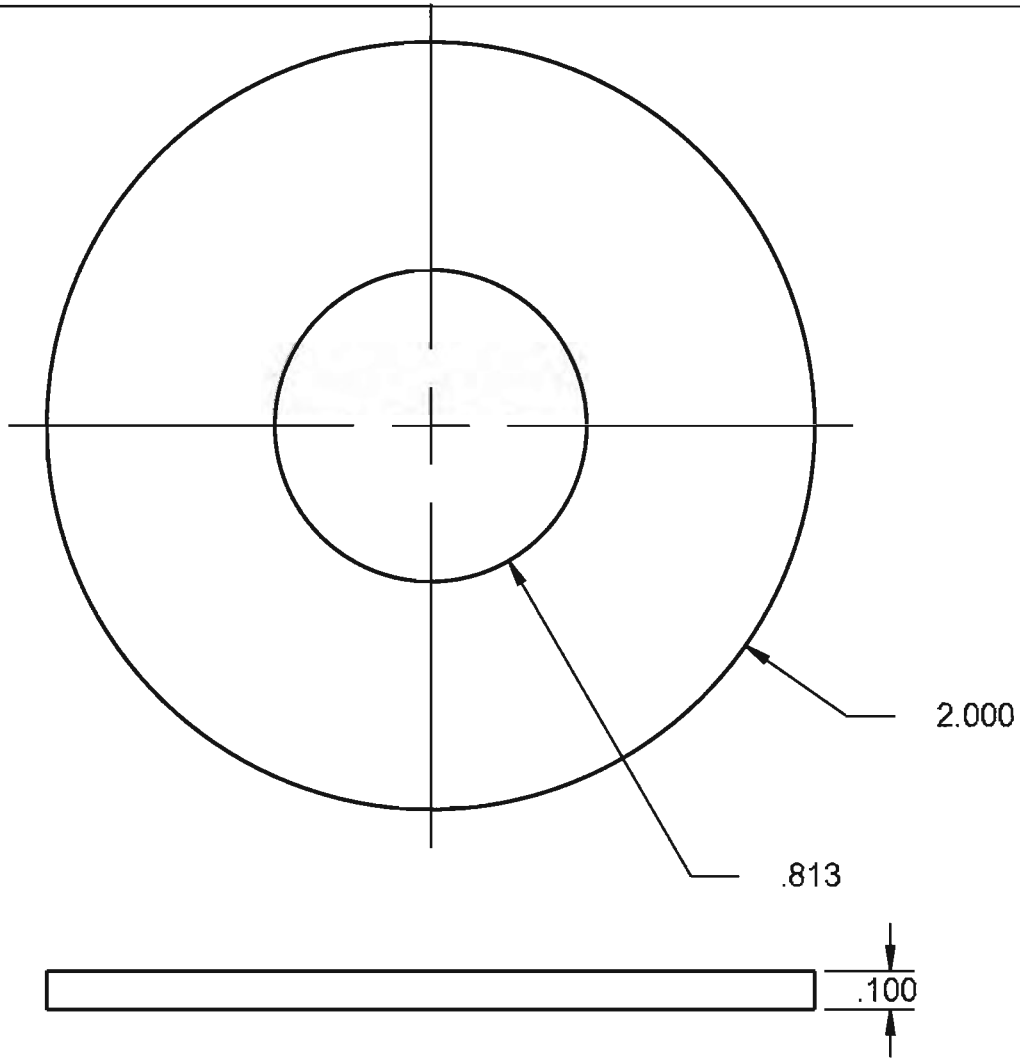
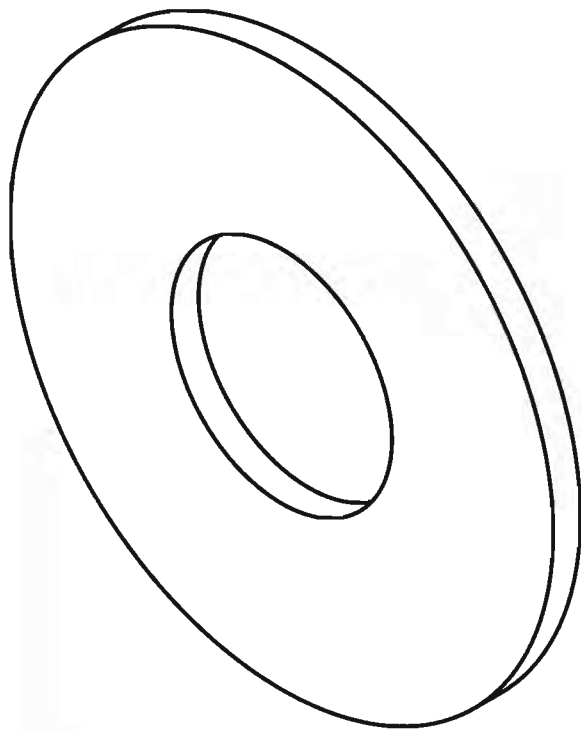
PROJECT:
LIFE TRAC III

TITLE
**WHEEL MOUNT
ROUND**

SIZE A	DWG. NO. PART NUMBER	REV
------------------	-------------------------	-----

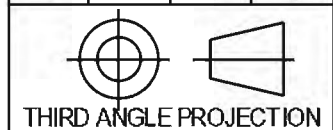
SCALE: 1:2 WEIGHT: SHEET 1 OF 1

5 4 3 2 1



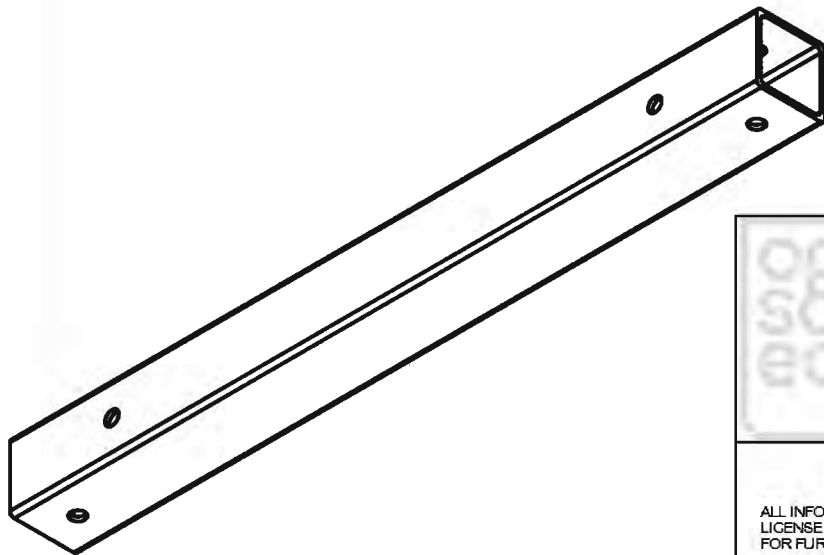
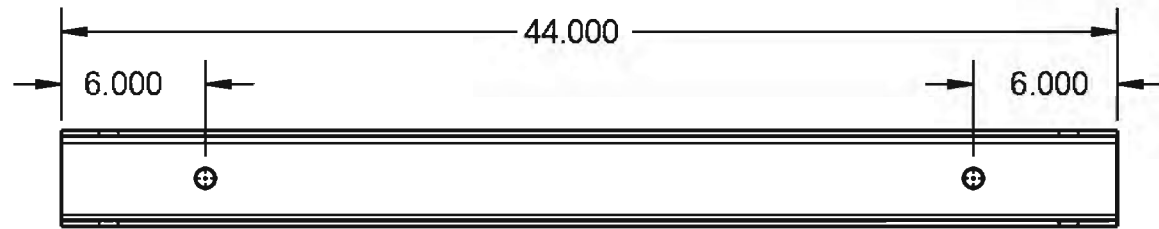
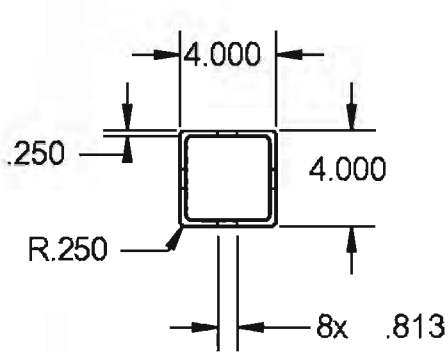
LICENSE INFORMATION
 ALL INFORMATION RELEASE UNDER THE OSE
 LICENSE FOR DISTRIBUTIVE ECONOMICS
 FOR FURTHER INFORMATION GO TO:
OPENSOURCEECOLOGY.ORG/GMWIKI/LICENSE

	NAME	DATE
DRAWN	F. Anzaldua	3/28/12
CHECKED		
APPR.		
UNLESS OTHERWISE SPECIFIED DIMENSIONS ARE IN INCHES		
ANGLES	.X	.XX
	.5	.5



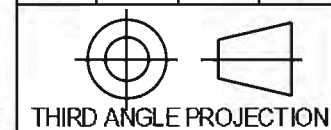
PROJECT: LIFE TRAC III		
TITLE 3/4 INCH WASHER		
SIZE A	DWG. NO. PART NUMBER	REV
SCALE: 2:1	WEIGHT:	SHEET 1 OF 1

5 4 3 2 1



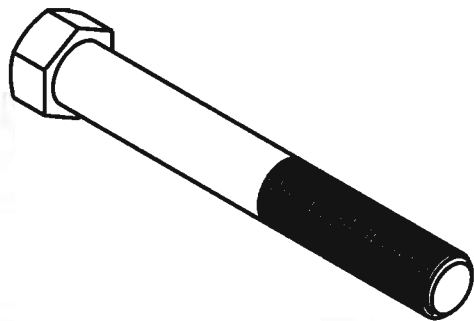
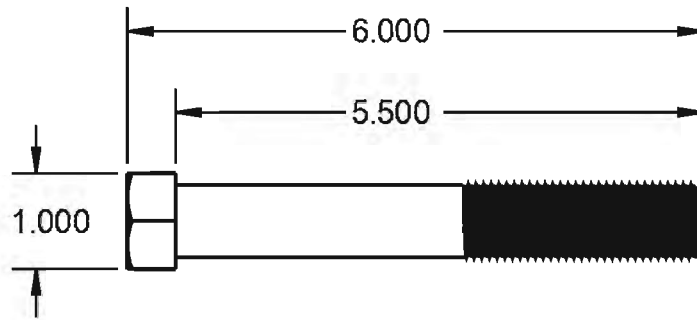
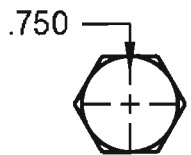
LICENSE INFORMATION
ALL INFORMATION RELEASE UNDER THE OSE
LICENSE FOR DISTRIBUTIVE ECONOMICS
FOR FURTHER INFORMATION GO TO:
OPENSOURCEECOLOGY.ORG/GMIK/LICENSE

	NAME	DATE
DRAWN	F. Anzaldua	3/28/12
CHECKED		
APPR.		
UNLESS OTHERWISE SPECIFIED DIMENSIONS ARE IN INCHES		
ANGLES	.X	.XX
	.5	.5



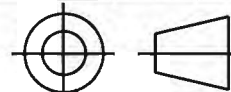
PROJECT: LIFE TRAC III		
TITLE 44 INCH TOP E-W TUBE		
SIZE A	DWG. NO. PART NUMBER	REV
SCALE: 1:8	WEIGHT:	SHEET 1 OF 1

5 4 3 2 1



LICENSE INFORMATION
 ALL INFORMATION RELEASE UNDER THE OSE
 LICENSE FOR DISTRIBUTIVE ECONOMICS
 FOR FURTHER INFORMATION GO TO:
OPENSOURCEECOLOGY.ORG/WIKI/LICENSE

	NAME	DATE
DRAWN	F. Anzaldua	3/28/12
CHECKED		
APPR.		
UNLESS OTHERWISE SPECIFIED DIMENSIONS ARE IN INCHES		
ANGLES	.X	.XX
	.5	.5



THIRD ANGLE PROJECTION

PROJECT: LIFE TRAC III		
TITLE 5.5 INCH BOLT		
SIZE A	DWG. NO. PART NUMBER	REV
SCALE: 1:2	WEIGHT:	SHEET 1 OF 1

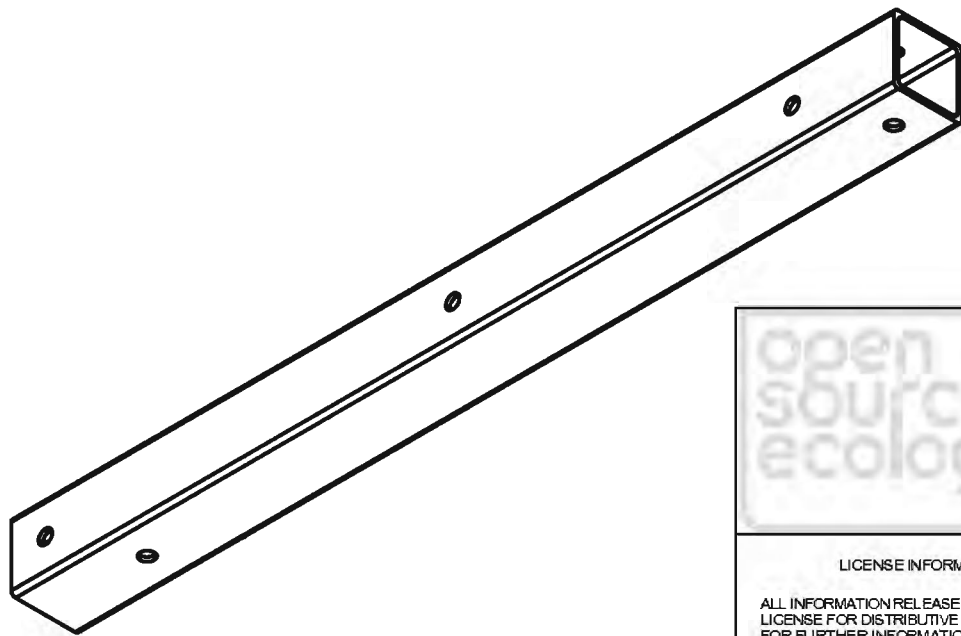
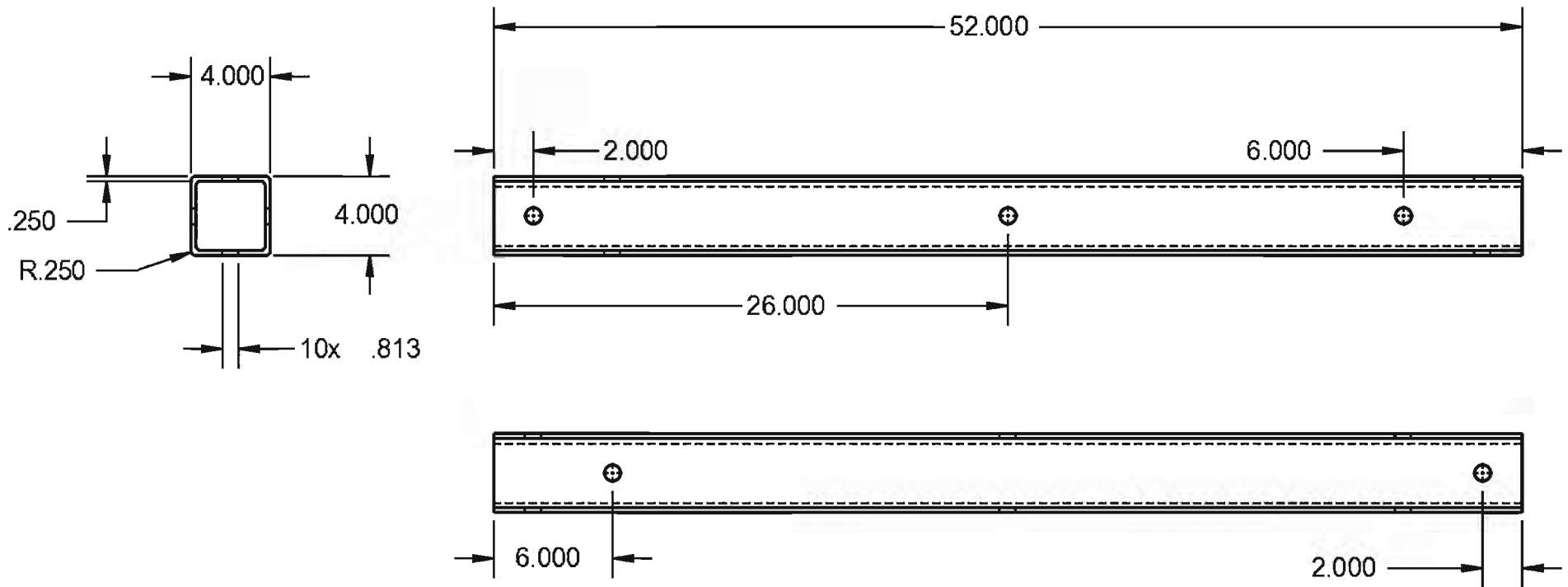
5

4

3

2

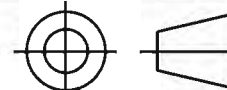
1



LICENSE INFORMATION

ALL INFORMATION RELEASE UNDER THE OSE
 LICENSE FOR DISTRIBUTIVE ECONOMICS
 FOR FURTHER INFORMATION GO TO:
OPENSOURCEECOLOGY.ORG/GMIKI/LICENSE

	NAME	DATE
DRAWN	F. Anzaldúa	3/28/12
CHECKED		
APPR.		
UNLESS OTHERWISE SPECIFIED DIMENSIONS ARE IN INCHES		
ANGLES	.X	.XX
	.5	.5



THIRD ANGLE PROJECTION

PROJECT:		LIFE TRAC III
TITLE		
52 INCH MIDDLE- VERTICAL TUBE		
SIZE	DWG. NO.	REV
A	PART NUMBER	
SCALE: 1:8	WEIGHT:	SHEET 1 OF 1

5

4

3

2

1