



Wikiversity :

an electronic institution of learning

Florence Devouard

Wikimedia Foundation

Pretoria, 21-23 sept 2005

Wikimedia Foundation Inc



Imagine a world in which every single person is given free access to the sum of all human knowledge.

An international non-profit organization

- dedicated to encouraging the growth, development and distribution of **free, multilingual content**,
- and to providing the full content of these wiki-based projects to the public **free of charge**.

<http://wikimediafoundation.org/wiki/Home>

Wiki, a collaborative software

- Requires a computer and an internet connection
- Openly editable website
- Propose a very simple markup
 - '''text''' to put text in bold.
 - [[link]] to create a link...
- Typical wiki features :
 - logs of changes
 - page history

<http://en.wikipedia.org/wiki/Wiki>



Think free. Learn free.

navigation

- [Main Page](#)
- [Community Portal](#)
- [Recent changes](#)
- [Random module](#)
- [Help](#)
- [Donations](#)

search

toolbox

- [What links here](#)
- [Related changes](#)
- [Upload file](#)
- [Special pages](#)
- [Printable version](#)
- [Permanent link](#)

[module](#) [discussion](#) [edit this page](#) [history](#)

Wikiversity:School of History

This entire school is still under construction. Helping out in the construction is encouraged

Welcome to Wikiversity's School of History

Part of the [Social Sciences Group of WikiU](#)

Someone has proposed opening this school and has volunteered to teach the first course. Please carry on this discussion on the main [Wikiversity discussion board](#).

Contents [hide]

- 1 [Course Listings](#)
 - 1.1 [Introductory Classes](#)
 - 1.2 [Topical Classes](#)
- 2 [References](#)
 - 2.1 [Textbooks and Articles By Geography](#)
 - 2.2 [Textbooks By Historical Period](#)
- 3 [Study guides](#)

Course Listings [\[edit\]](#)

The History program has not been finalized. The following is a proposed sequence:

Introductory Classes [\[edit\]](#)

Introductory classes provide Wikistudents with a survey of a time period or a regional or national history. They provide a foundation for the in-depth approach of the topical courses.

- [Intro to World History: Overview of standard periodizations of human history.](#)
- [Intro to Classical History: Greeks and Romans.](#)
- [Intro to the Middle Ages: Dark and Medieval Ages. From the fall of Rome to the rebirth of Europe](#)
- [Intro to Early Modern Europe:](#)
- [Intro to Late Modern Europe:](#)
- [Intro to the Early Republic: History of the US from Colonialism to the Civil War.](#)
- [Intro to Modern American History: History of the US from Reconstruction to the War on Terrorism.](#)
- [Intro to Asian History:](#)
- [Intro to African History:](#)
- [Intro to Middle Eastern History:](#)

DIA
TION



Think free. Learn free.

navigation

- Main Page
- Community Portal
- Recent changes
- Random module
- Help
- Donations

search

toolbox

- What links here
- Related changes
- Upload file
- Special pages

module discussion edit this page **history**

Editing Wikiversity:School of History

"This entire school is still under construction. Helping out in the construction is encouraged"

"Welcome to Wikiversity's School of History"

"Part of the [[Wikiversity:Social Sciences|Social Sciences Group of WikiU]]"

Someone has proposed opening this school and has volunteered to teach the first course. Please carry on this discussion on the main [[talk:Wikiversity|Wikiversity discussion board]].

==Course Listings==

The History program has not been finalized. The following is a proposed sequence:

===Introductory Classes===

Introductory classes provide Wikistudents with a survey of a time period or a regional or national history. They provide a foundation for the in-depth approach of the topical courses.

- *Intro to World History: Overview of standard periodizations of human history.
- *Intro to Classical History: Greeks and Romans.
- *Intro to the Middle Ages: Dark and Medieval Ages. From the fall of Rome to the rebirth of Europe
- *Intro to Early Modern Europe:
- *Intro to Late Modern Europe:
- *Intro to the Early Republic: History of the US from Colonialism to the Civil War.
- *Intro to Modern American History: History of the US from Reconstruction to the War on Terrorism.

Summary:

Save page Show preview Show changes *Cancel | Editing help?* (opens in new window)

Templates used on this page:

- [Template:Stage](#)

Please note that all contributions to Wikibooks are considered to be released under the GNU Free Documentation License (see [Wikibooks:Copyrights](#) for details). If you don't want your writing to be edited mercilessly and redistributed at will, then don't submit it here.

You are also promising us that you wrote this yourself, or copied it from a public domain or similar free resource. **DO NOT SUBMIT COPYRIGHTED WORK WITHOUT PERMISSION!**



Think free. Learn free.

navigation

- [Main Page](#)
- [Community Portal](#)
- [Recent changes](#)
- [Random module](#)
- [Help](#)
- [Donations](#)

search

toolbox

- [What links here](#)
- [Related changes](#)
- [Upload file](#)
- [Special pages](#)

[module](#) [discussion](#) [edit this page](#) [history](#)

Wikiversity:School of History

Revision history

(Latest | [Earliest](#)) View (previous 50) ([next 50](#)) ([20](#) | [50](#) | [100](#) | [250](#) | [500](#)).

Diff selection: mark the radio boxes of the versions to compare and hit enter or the button at the bottom.

Legend: (cur) = difference with current version, (last) = difference with preceding version, M = minor edit.

[Compare selected versions](#)

- (cur) (last) 19:28, 8 July 2005 Shawn Humphrey ([→Textbooks and Articles By Geography](#))
- (cur) (last) 19:20, 8 July 2005 Shawn Humphrey ([→Textbooks and Articles By Geography](#))
- (cur) (last) 19:19, 8 July 2005 Shawn Humphrey **m** ([→Textbooks and Articles By Geography](#))
- (cur) (last) 23:56, 6 July 2005 24.136.12.251 ([→Introductory Classes](#))
- (cur) (last) 18:06, 24 June 2005 69.158.184.218 ([→Introductory Classes](#))
- (cur) (last) 20:07, 20 June 2005 Polizano
- (cur) (last) 20:06, 20 June 2005 Polizano
- (cur) (last) 02:33, 18 June 2005 69.86.65.241 ([→Topical Classes](#))
- (cur) (last) 23:54, 17 June 2005 Polizano
- (cur) (last) 20:05, 17 June 2005 Polizano
- (cur) (last) 20:05, 17 June 2005 Polizano
- (cur) (last) 20:04, 17 June 2005 Polizano
- (cur) (last) 19:22, 17 June 2005 24.193.37.65
- (cur) (last) 19:19, 17 June 2005 24.193.37.65 ([→Course Listings](#))
- (cur) (last) 16:02, 17 June 2005 69.86.65.241 ([→Topical Classes](#))
- (cur) (last) 16:01, 17 June 2005 69.86.65.241 ([→Introductory Classes](#))
- (cur) (last) 15:49, 17 June 2005 69.86.65.241 ([→Topical Classes](#))

Create an account or log in



Think free. Learn free.

navigation

- Main Page
- Community Portal
- Recent changes
- Random module
- Help
- Donations

search

toolbox

- rss atom
- Upload file
- Special pages

in other languages

- Български
- Català
- Dansk
- Deutsch
- Esperanto
- Español
- Eesti
- فارسی
- Suomi
- Français
- עברית
- Магар

special page

Recent changes

Main page, All books, All bookshelves

Other languages: [bg](#) [ca](#) [da](#) [de](#) [eo](#) [es](#) [et](#) [fa](#) [fi](#) [fr](#) [he](#) [hu](#) [is](#) [it](#) [ja](#) [ko](#) [nl](#) [no](#) [pl](#) [pt](#) [ro](#) [ru](#) [sa](#) [sl](#) [sr](#) [sv](#) [vi](#) [zh](#)

Other projects: [Meta](#) - [Test](#) - [Wikipedia](#) - [Wiktionary](#) - [Wikinews](#) - [Wikiquote](#) - [Wikisource](#) - [Commons](#) - ([help](#) | [edit](#))

Utilities: [New & Old](#) - [Pages needing work](#) - [Requested books](#) - [Vandalism](#) - [Votes for deletion](#)

About us: [Welcome/FAQ](#) - [Bulletin board](#) - [Policies](#) - [Staff lounge](#) - [Mailing lists](#)

Legend: (diff) = difference with last version, (hist) = page history, M = minor edit, N = new

Below are the last 50 changes in last 7 days.

Show last [50](#) | [100](#) | [250](#) | [500](#) changes in last [1](#) | [3](#) | [7](#) | [14](#) | [30](#) days

[Hide](#) minor edits | [Show](#) bots | [Hide](#) logged in users | [Hide](#) patrolled edits

Show new changes starting from [17:53, 15 September 2005](#)

Namespace: Invert selection

15 September 2005

- (diff) (hist) . . [User:Bobwinmill](#); 17:23 . . [Bobwinmill](#) ([Talk](#))
- (diff) (hist) . . [Talk:Wikiversity:School of Engineering](#); 17:14 . . [Bobwinmill](#) ([Talk](#))
- (diff) (hist) . . [Consciousness studies: Models of access consciousness](#); 17:11 . . [RobinH](#) ([Talk](#))
- (diff) (hist) . . [Blender 3D: Noob to Pro/The 3D Viewport Window](#); 16:57 . . [67.111.180.162](#) ([Talk](#)) (*→Rotating the view*)
- ([User creation log](#)); 16:48 . . [MarcoReid](#) ([Talk](#)) (*newusers: Created the user [MarcoReid](#) ([Talk](#) | [contribs](#))*)
- (diff) (hist) . . [Radiation Oncology:RTOG Trials](#); 16:37 . . [Brim](#) ([Talk](#)) (*→90-XX to 99-XX - 9801*)
- (diff) (hist) . . [Radiation Oncology:RTOG Trials](#); 16:35 . . [Brim](#) ([Talk](#)) (*→90-XX to 99-XX - 98-01*)
- ([User creation log](#)); 16:33 . . [Kvh19](#) ([Talk](#)) (*newusers: Created the user [Kvh19](#) ([Talk](#) | [contribs](#))*)
- (diff) (hist) . . [Wikiversity:School of Computer Science](#); 16:32 . . [129.130.10.85](#) ([Talk](#)) (*→Third Level Courses*)
- (diff) (hist) . . [Wikiversity:School of Computer Science](#); 16:30 . . [129.130.10.85](#) ([Talk](#)) (*→Third Level Courses*)
- (diff) (hist) . . [N Template:STO►](#); 16:17 . . [194.152.247.103](#) ([Talk](#))
- (diff) (hist) . . [N User talk:81.37.171.212](#); 16:14 . . [Laurascudder](#) ([Talk](#))
- (diff) (hist) . . [m Wikijunior Solar System/Saturn/Titan](#); 16:14 . . [Laurascudder](#) ([Talk](#)) (*rv - test*)
- (diff) (hist) . . [Antipredator Adaptations](#); 15:56 . . [62.103.25.113](#) ([Talk](#))
- (diff) (hist) . . [Grand Theft Auto: San Andreas/Missions/Yay Ka-Boom-Boom](#); 15:49 . . [80.177.50.246](#) ([Talk](#)) (*Added some tips.*)
- (diff) (hist) . . [N Consciousness studies: Models of access consciousness](#); 15:45 . . [RobinH](#) ([Talk](#))

IA ON



MediaWiki features

- MediaWiki is one of many wiki engines
- Primarily developed for Wikipedia from 2002 onwards
- Scalable and multilingual
- Features
 - Editing features (simple markup)
 - Quality control features (versioning, recent changes)
 - Organisational features (categories...)
 - Community features (talk pages, user pages, access levels)
 - Other features (page protection...)

<http://www.mediawiki.org/wiki/MediaWiki>



Think free. Learn free.

a multilingual tree
encyclopedia

Wiktionary

['wɪkʃənri] *n.*,
a wiki-based Open
Content dictionary

Wileo ['wɪl kəʊ]



WIKISPECIES
free species directory



**WIKIMEDIA
COMMONS**



Open and free

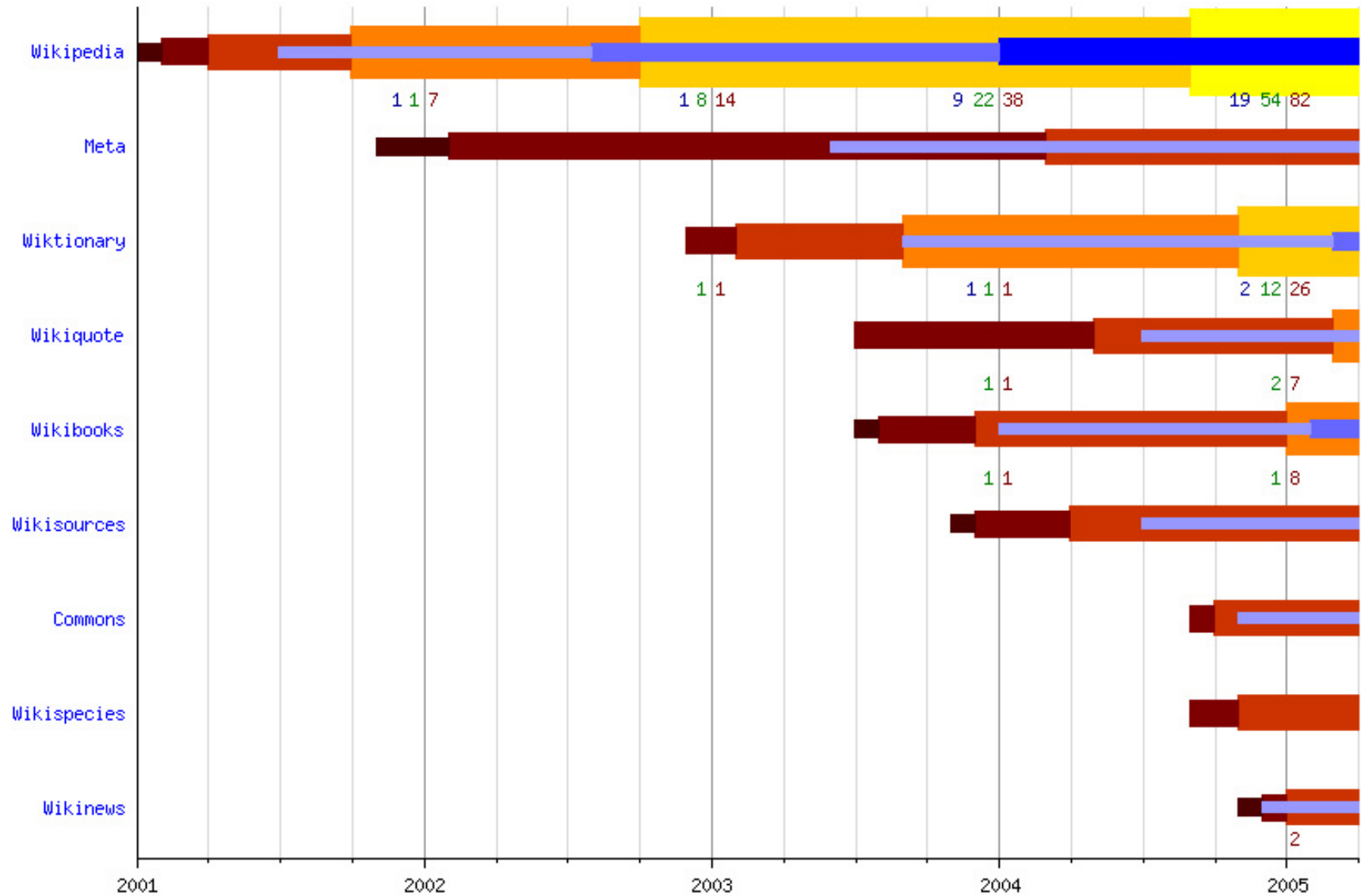


- All Wikimedia content is „free content“
 - Text may be freely distributed and modified
 - Derivative works have to be free content (copyleft)
 - GNU Free Documentation License
- MediaWiki is „open source“
 - Code may be freely distributed and modified
 - Copyleft
 - GNU General Public License

Active Wikimedia projects



- **Wikipedia: encyclopedia**
 - (January 2001): 189 languages, 53816 editors, 1.8M articles, 30.5M internal links
 - English: 433781 users, 729767 articles
 - German: 128291 users, 289025 articles
 - French: 39351 users, 161792 articles
 - Japanese: 28113 users, 140986 articles
- **Wiktionary: dictionary/thesaurus**
 - (December 2002): 161 languages, 1585 editors, 311 K articles
- **Wikiquote: quotation collection**
 - (July 2003): 84 languages, 841 editors, 20K articles
- **Wikibooks: textbook/manual collection**
 - (July 2003): 118 languages, 1874 editors, 20K articles
- **Wikinews: news portal**
 - (November 2004): 13 languages, 456 editors, 7,500 articles
- **Wikisource: primary source repository**
 - (November 2003): 50 language portals, 457 editors, 28K articles/documents
- **Wikicommons: Media repository**
 - (September 2004): 938 editors, 17K articles, 60K media files

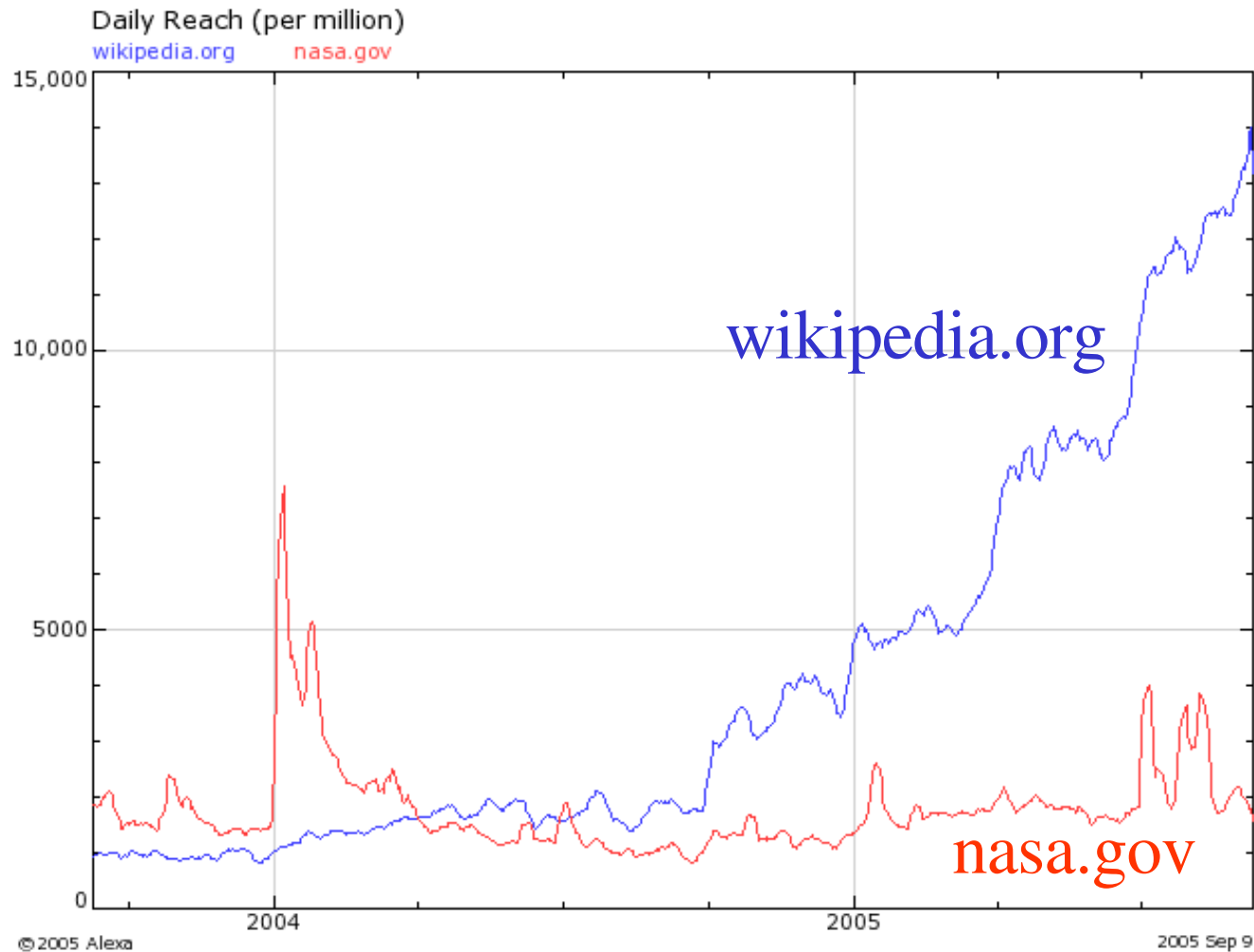


Plot generated by Erik Zachte with EasyTimeline

- 10+ articles
- 100,000+ articles
- 100+ editors
- languages with 100+ articles
- 100+ articles
- 1,000,000+ articles
- 1000+ editors
- languages with 1000+ articles
- 1000+ articles
-
- 10,000+ editors
- languages with 10000+ articles



WIKIMEDIA
FOUNDATION

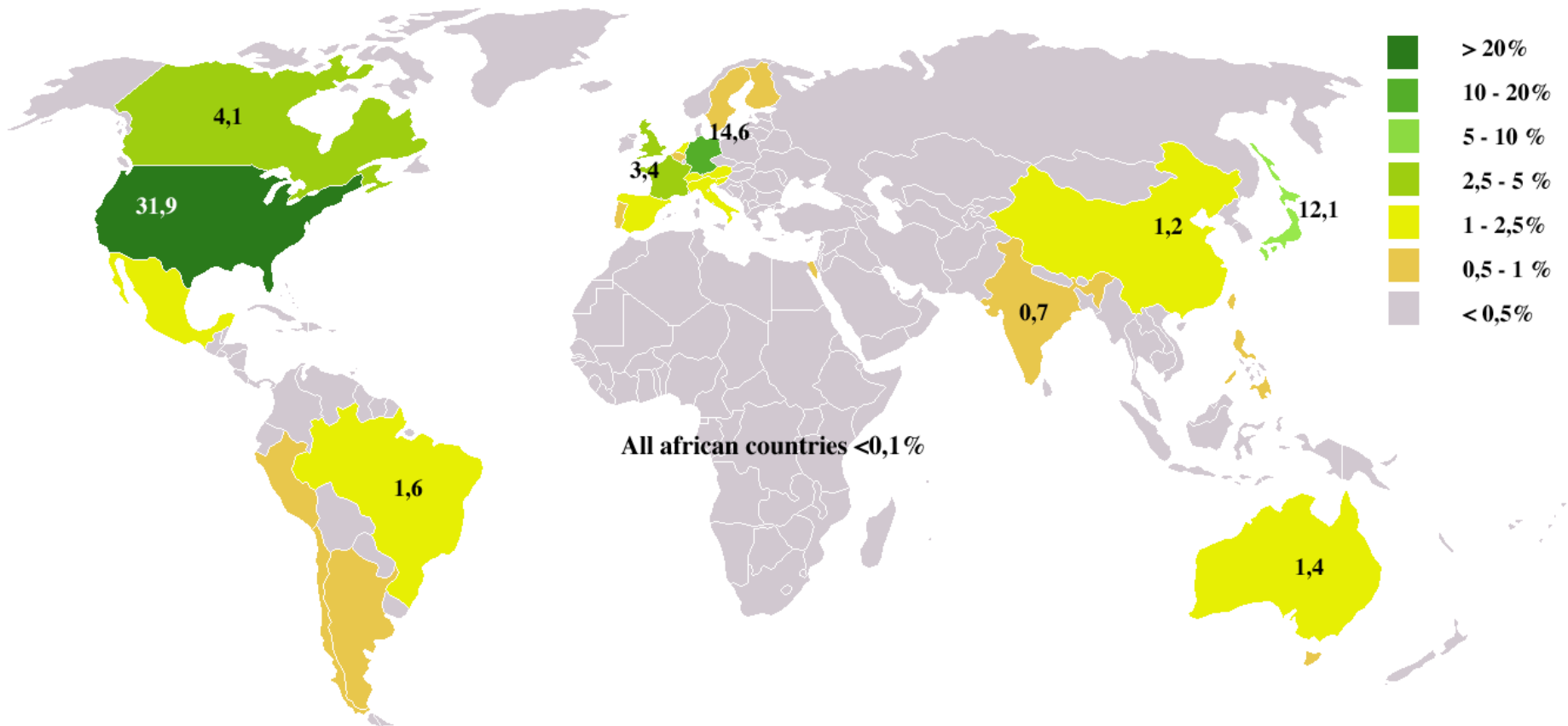


Rank : around 50 in summer 2005

Every single person is given access...



Figure 3 Free Knowledge Communities Nodes



From Wikimedia projects access hits stats - july 2005

Few hits from Africa, Eastern Europe...

Wikiversity's mission...

not just to impart knowledge but to facilitate learning.



An institution of electronic learning

- E-teaching materials
- E-learning framework

Methods can include but are not limited to

=> wikiforums, lectures, homework, collaborative projects, discussions, student journals, etc.

Wikiversity's scope...



E-teaching materials to set complete courses

- Lecture notes
- Tutorial activities
- Assignments
- References : books from Wikibooks, research papers
- Teaching materials such as slides collections
- Audio-videos, images (might come from Wikicommons)
- The development and cataloging of tests (wikiquizz, test, exams...)
- Collection of links to usable material on our projects (Glossaries, dictionnary, encyclopedia, quotes...)
- Collection of links to usable material on the net ar



Wikiversity's scope...

E-learning framework for members to take courses online

- Irc lectures and assignments
- Direct interaction between students and teacher (talk pages, irc meetup...)
- Collaborative projects
- Student journals
- Latest news (wikinews, blog)...
- wikiquizzes
- Grading and certification ?

A framework for collaborative learning and teaching



- Wikiversity : a **wiki**
 - Anyone, including you, can edit any course module by clicking on the *edit this page* link
- Wikiversity : **free**
 - All of the site's content is under the GNU Free Documentation License. Contributions remain the **intellectual property** of their creators, while the copyleft licensing ensures that the content will always remain freely distributable and reproducible.
- Wikiversity : **free of charge**
 - Anyone can edit or follow the courses for free

Wikiversity's target audience...

Nobody knows everything... but everyone knows something



WIKIMEDIA
FOUNDATION

Wikiversity is a kind of learning platform/environment/resource shaped by its students and its practitioners.

- The primary audience of Wikiversity is meant to be students:
College, High schools or Junior High schools
A secondary audience could be.... anyone...
- Wikiversity: a multilingual resource

Designing learning ecologies

An environment to support learning



- Collaborative software which respects the users
- Experiment in the application of computer methods for learning
- An open, large and diverse community
- Flexible governance
- Freedom in the sense of GNU
- Neutrality as a bedrock principle
- No frontier between teachers and learners
- Gives the end user control over what he needs
- Embraces a plurality of learning styles and teaching
- A global community effort to create a collaborative platform



WIKIMEDIA
FOUNDATION

Wikiversity and timeline...

- Has been discussed for more than 2 years
- No existence as an independent project
 - In development on english wikibooks
 - Non official inactive german-speaking wikiversity
- Software needs to be addressed
- Very motivated english-speaking team but some opposition
- Vote for creation is ongoing
 - As of 20th of sept, 68 approved and 24 opposed

Wikiversity so far...

- Hosted in Wikibooks.
- The Schools of Wikiversity have been organised into 5 major divisions
 - 1. Physical Sciences
 - 2. Life Sciences
 - 3. Humanities
 - 4. Practical Arts and Sciences
 - 5. Social Sciences.
- Example : Social Science > School of History > The Great War and Versailles (Christopher Polizano)

http://en.wikibooks.org/wiki/Wikiversity:The_Great_War_and_Versailles

Wikiversity:The Great War and Versailles - Wikibooks

http://en.wikibooks.org/wiki/Wikiversity:The_Great_War_and_Versailles

OTRS : S'authentifier GIMP - About the GIMP moneybooker...ent circule danah boyd misbehaving.net apophenia 5 F-1-05 n°...anvier 2005

Wikiversity:The Great W... Instructional design - W... Wikiversity - Meta

Create an account or log in

Wiki Books

Think free. Learn free.

navigation

- Main Page
- Community Portal
- Recent changes
- Random module
- Help
- Donations

search

Go Search

toolbox

- What links here
- Related changes
- Upload file
- Special pages
- Printable version
- Permanent link

module discussion edit this page history

Wikiversity:The Great War and Versailles

Contents [hide]

- 1 Course Opening
- 2 Course Outline
- 3 Recommended Text
 - 3.1 Additional Books
 - 3.2 More on Wikibooks
- 4 Class List

Course Opening [edit]

The course has begun, and the first assignment has been posted. Please see below. [edit]

Course Outline [edit]

Classes will take place once a week to once every two weeks. Since the Great War has such a rich history, the focus will be placed on military history, though students are encouraged to branch out based upon their own interest. The following syllabus is open to modification:

- Europe in 1914 / The Outbreak of War [Assignment One Lecture One](#)
- 1914: The Opening Campaigns / 1915: The War Continues
- 1916: The War of Attrition / The United States Enters the War
- 1917: The Year of Crisis / 1918: The Final Campaigns
- Reflecting on the Experience of the War / 1919: The Peace Settlement

[edit]

Recommended Text [edit]

- *The First World War*[®] by Michael Howard (Oxford University Press, 2003) ISBN 0192804456: A short introduction to the topic. I will be drawing my lectures from it heavily.

[edit]

Additional Books [edit]

See the [Further Readings List](#) for books relating to topics you may wish to study in more detail. [edit]

More on Wikibooks [edit]

Wikibooks already has some brief information on the Great War.

- [World War I and the Treaty of Versailles \(1914 - 1920\)](#)
- [Causes and course of the First World War](#)
- [Effects of the First World War](#)

[edit]

Class List [edit]

- Professor:
 - [Christopher Polizano](#)
- Students:



Wikiversity software needs



- Electronic testing : Wikiquiz : a proposed extension for MediaWiki.
- Web of trust or certification model to grade Wikiversity students
- Collapsible note windows
- Pop up windows...



WIKIMEDIA
FOUNDATION

Wikiversity software needs

MediaWiki extensions for various scientific disciplines, such as WikiTeX (a modular system for incorporating LaTeX objects with MediaWiki output)

Enriching your article with WikiTeX is as easy as wrapping your LaTeX in `<class></class>` tags; thus:

```
<music>
  \notes \relative c' {
    e16-->a(b gis)a-->c(d b)c-->e(f dis)e-->a(b a)
    gis(b e)e,(gis b)b,(e gis)gis,(b e)e,(gis? b e)
  }
</music>
```

becomes:



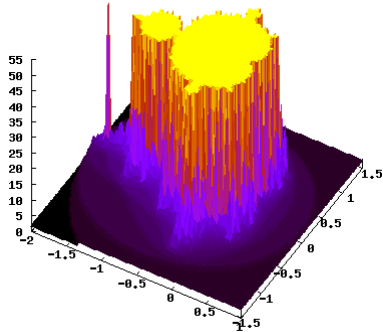
Wikiversity software needs



WIKIMEDIA
FOUNDATION

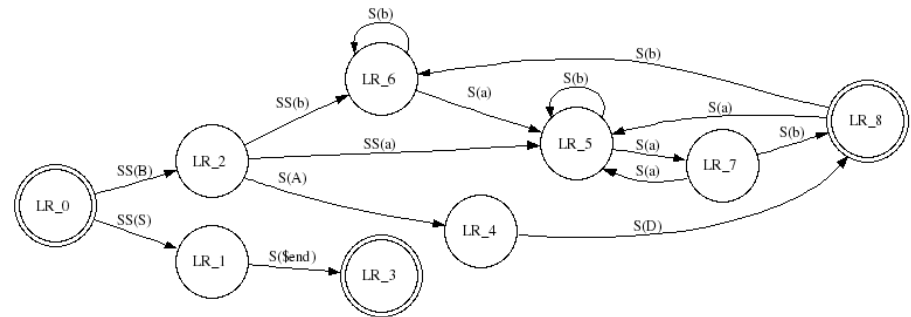
Plot

[Gnuplot](#) by Hans-Bernhard Broeker, *et al.*; for plotting two- and three-dimensional line, point, dot, box, histogram graphs or vector fields ([doc](#) | [template](#)).



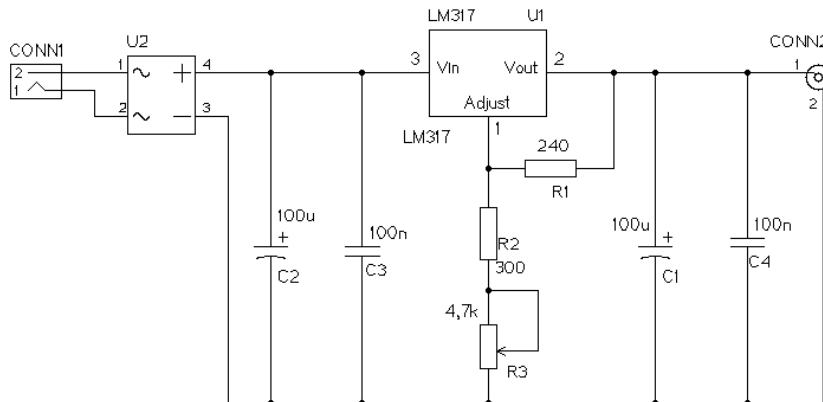
Graph

[Graphviz](#) by Lefty Koutsofios, *et al.*; for relational diagrams ([doc](#) | [template](#)).



Schem

[gEDA-gschem](#) by Ales Hvezda, *et al.*; for schematic capture ([doc](#) | [template](#)).



<http://wikisophia.org/wiki/Wikitex>

Issues ...

- The naming issue
 - Ties the project very strongly to the idea of traditional universities
 - Might cause the project being perceived primarily or only as an **institution of tertiary learning**
- Does it aim at being **a supplement or an alternative** to traditional classroom approach to learning ?
 - Will it model the **general organisation** around the concept used in traditional universities ?
 - Will it include ideas of **accreditation**, degree conferring or evaluating methods ?
- Will it be used to **conduct research** and publishing results ?
- Confusion between Wikibooks and Wikiversity