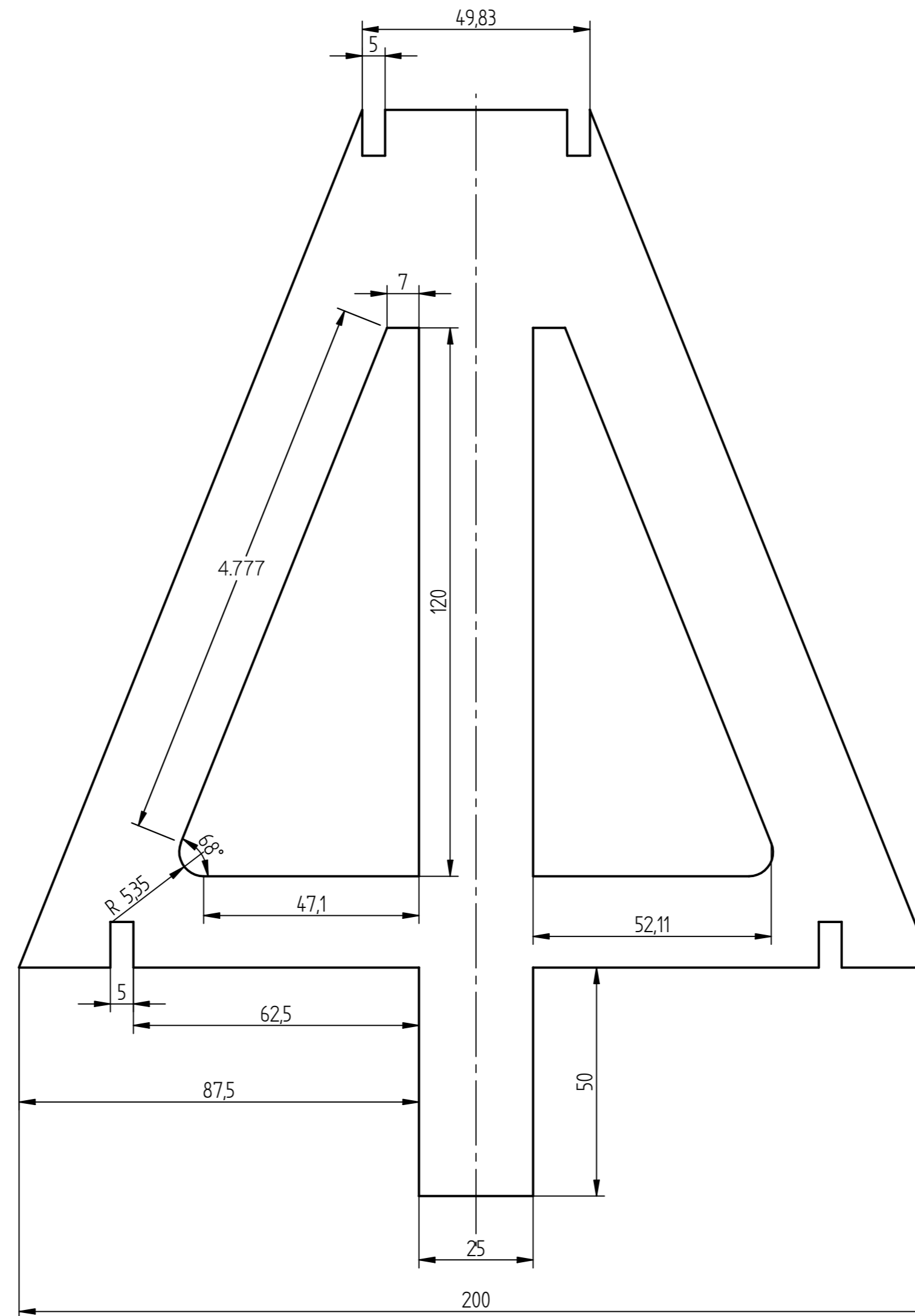
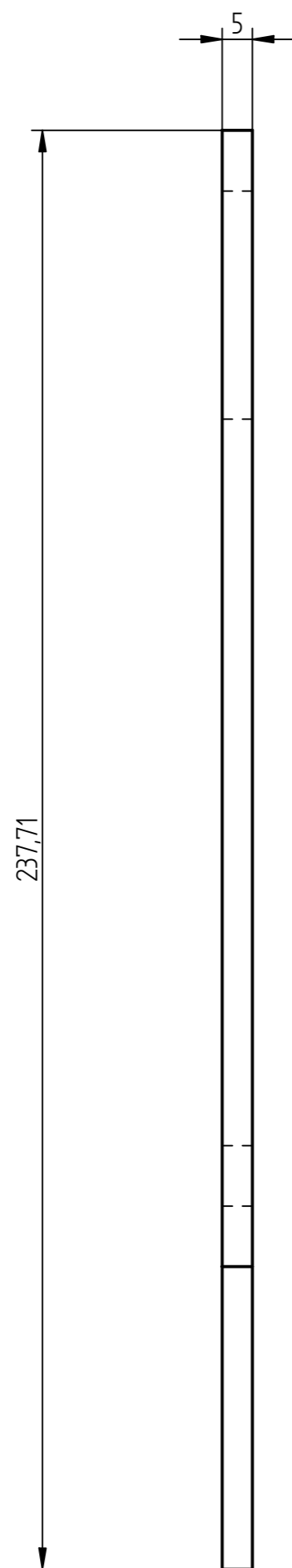


REVISION HISTORY			
REV	DESCRIPTION	DATE	APPROVED



	NAME	DATE	SOLID EDGE UGS - The PLM Company	
DRAWN	Cedric	05/13/11		
CHECKED				
ENG APPR				
MGR APPR			TITLE	
UNLESS OTHERWISE SPECIFIED DIMENSIONS ARE IN MILLIMETERS ANGLES ±X.X° 2 PL ±XXX 3 PL ±XXXX			SIZE A2	DWG NO
			FILE NAME: drawing chassis.dft	REV
			SCALE:	WEIGHT:
			SHEET 1 OF 1	